

EF6023R & EF6123R SHOWN

# **Kozy-World®**

EF6023R

EF7033R

EF6123R

EF7133R

Freestanding  
Electric Fireplace

## **Installation Instructions and Owner's Manual**

**WARNING! IF THE INFORMATION IN THIS MANUAL IS NOT FOLLOWED EXACTLY, A FIRE MAY RESULT CAUSING PROPERTY, PERSONAL INJURY OR LOSS OF LIFE.**



World Marketing of America, Inc.  
P.O. Box 192, Rt. 22 West  
Mill Creek, PA 17060  
KOZY WORLD PHONE NUMBER:  
(814) 643-1775

### **FOR YOUR SAFETY**

**DO NOT STORE  
OR USE GASOLINE OR OTHER  
FLAMMABLE VAPORS OR LIQUIDS  
IN THE VICINITY OF THIS OR ANY  
OTHER APPLIANCE**

ANSI/UL1278. MOVABLE AND WALL-OR CEILING HUNG ELECTRIC ROOM HEATERS  
INSTALLER: DO NOT DISCARD THIS MANUAL-LEAVE FOR HOME OWNER

# TABLE OF CONTENTS

**PLEASE READ THE INSTALLATION & OPERATION INSTRUCTIONS  
BEFORE USING THIS APPLIANCE**

IMPORTANT: Read all instructions and warnings carefully before starting installation. Failure to follow these instructions may result in a possible electric shock, fire hazard and will void the warranty.

<b>Important Instructions .....</b>	<b>2</b>
Locating Your Electric Fireplace.....	3
Clearance To Combustibles.....	3
Electrical Connections.....	3
Electrical Specifications.....	3
<b>Installing decorating logs.....</b>	<b>4</b>
<b>Service Instructions.....</b>	<b>5</b>
Replacing Light Bulbs.....	5
Maintenance of Motors.....	5
Glass Information.....	5
Electrical Wiring Diagram.....	6
<b>Operating Instructions.....</b>	<b>7</b>
<b>Specification.....</b>	<b>8</b>
<b>Replacement Parts.....</b>	<b>9</b>
Replacement Parts List.....	10

# IMPORTANT INSTRUCTIONS

When using electrical appliances, basic precautions should always be followed to reduce the risk of fire, electric shock, and injury to persons, including the following:

1. Read all instructions before using this heater.
2. This appliance is hot when in use. To avoid burns, do not come in contact with heater. Keep combustible materials, such as furniture, pillows, bedding, papers, clothes, and curtains at least 3 feet (1m.) from the front of the heater.
3. Extreme caution is necessary when any heater is used by or near children or invalids and whenever the heater is left operating and unattended.
4. Always unplug heater when not in use.
5. Do not operate any heater with a damaged cord or plug or after the heater malfunctions, has been dropped or damaged in any manner.
6. Any repairs to this appliance should be carried out by a qualified service person.
7. Under no circumstances should this electric fireplace be modified. Parts having to be removed for servicing must be replaced prior to operating this electric fireplace again.
8. Do not use outdoors.
9. This heater is not intended for use in bathrooms, laundry areas or similar indoor locations. Never use this appliance near a bathtub or other water container.
10. Do not run cord under carpeting. Do not cover cord with throw rugs, runners or similar coverings. Arrange cord away from traffic areas and where it will not be tripped over.
11. To disconnect heater, turn controls to OFF, then remove plug from outlet.
12. Connect to properly grounded outlets only.
13. When this appliance is installed, it must be electrically grounded in accordance with local codes with the current CSA C22.1 Canadian local codes for USA installations. Follow local codes and National Electrical Code, ANSI/NFPA NO.70 and Canadian Cord: C 22.2 NO.0.
14. Do not insert or allow foreign objects to enter any ventilation or exhaust opening as this may cause electric shock, fire or damage to the heater.
15. To prevent a possible fire, do not block air intakes or exhaust in any manner. Do not use on soft surfaces, such as a bed, where openings may become blocked.
16. This heater gets hot and it contains internal parts that sparks and arcs. Do not use it in areas where gasoline, paint, or flammable liquids are used or stored.
17. Use this heater only as described in this manual. Other uses not recommended by the manufacturer may cause fire, electric shock, or injury.
18. Avoid the use of an extension cord because it may overheat and cause a risk of fire. However if you must use an extension cord, the cord shall be No. 14AWG minimum size and rated not less than 1900 watt. The extension cord must be a three wire cord with grounding type plug and cord connector.
19. This electric fireplace heater should not be used as a drying rack for clothing. Also, do not hang Christmas stockings or decorations on or near it.

## **20. SAVE THESE INSTRUCTIONS.**

## LOCATING YOUR ELECTRIC FIREPLACE

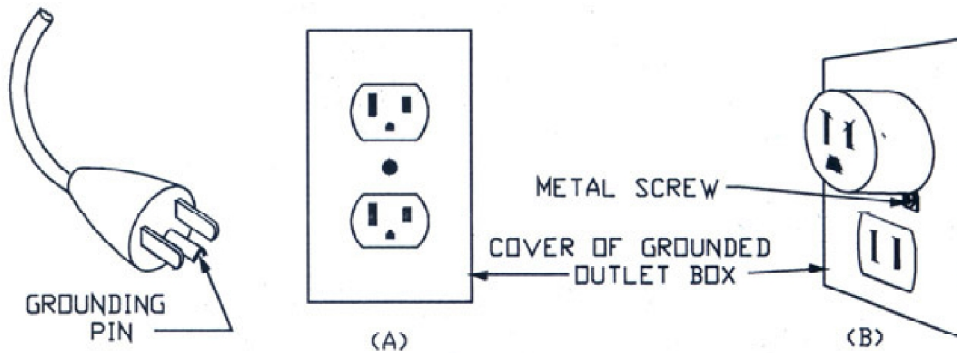
Your new freestanding electric fireplace may be installed virtually anywhere in your home. However when choosing a location for your new electric fireplace, ensure that the general instructions are followed. For best effect results, install the electric fireplace out of direct sunlight.

## CLEARANCE TO COMBUSTIBLES

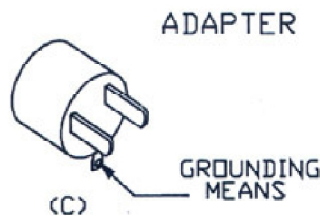
Sides.....	0 mm	0 inches
Floor.....	0 mm	0 inches
Top.....	0 mm	0 inches

## ELECTRICAL CONNECTION

A 15 AMP, 120 Volt, 60Hz circuit with a properly grounded outlet is required. Preferably, the fireplace will be on a dedicated circuit. Other appliances on the same circuit may cause the circuit breaker to trip or the fuse to blow when the heater is on operation. The unit comes standard with a 6' (1828mm) long three wire cord exiting from the rear of the fireplace. Plan the installation to avoid the use of an extension cord. If an extension cord must be used, it must be a minimum 14 AWG three wire with grounding type plug connector and rated no less than 1900 Watts. The cord shall not be more than 20 feet in length.



(Adaptor NOT permitted in Canada)  
Under C22.2 NO. 0 standard



**WARNING:** Electrical outlet wiring must comply with local building codes and all other applicable regulations to reduce the risk of fire, electrical shock and injury.



**WARNING:** Do not use this fireplace if any part of it has been under water. Immediately call a qualified service technician to inspect the fireplace and replace any part of the electrical system if necessary.

## ELECTRICAL SPECIFICATIONS

Voltage:	120 VAC, 60 Hz
Total Amps:	11.5 Amps
Total Watts:	1380 Watts
Heater Rating:	1200 Watts

# Installing decorating logs

Installing logs for EF6023R & EF6123R:



FIG 1 - Logs for EF6023R & EF6123R

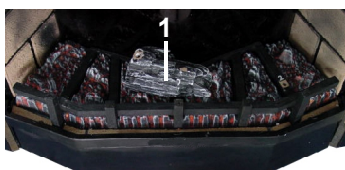


FIG 2

1. Insert the two pins on log 1 to the two recessed holes at the middle of grate. (See FIG 2).



FIG 3

2. Insert the pin on one end of log 2 to the recessed hole on log 1, with the other end of log 2 placed on the ember bed (where marked). (See FIG 3).

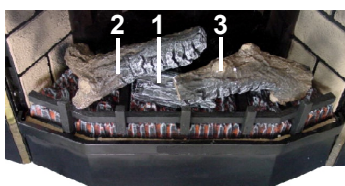


FIG 4

3. Place one end of log 3 onto the hole on grate, with the other end placed on log 1 (where marked). (See FIG 4).

Installing logs for EF7033R & EF7133R:



FIG 5 - Logs for EF7033R & EF7133R:



FIG 6

1. Place log 1, log 2 and log 3 into the corresponding holes on grate. (See FIG 6).



FIG 7

2. Insert the pin on one end of log 4 to the recessed hole on log 1, with the other end of log 4 placed where marked. (See FIG 7).

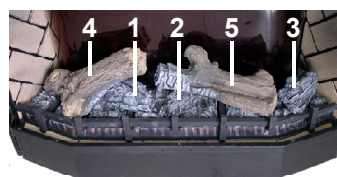


FIG 8

3. Insert the pin on one end of log 5 to the recessed hole on log 2, with the other end of log 5 placed where marked. (See FIG 8).

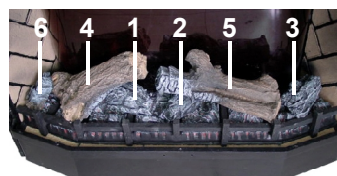


FIG 9

4. Insert the pin on log 6 to the recessed hole on log 4, and place log 6 as figure shows. (See FIG 9).

## MAINTENANCE OF MOTORS

The motors used on the fan and flame generator assembly are prelubricated for extended bearing life and require no further lubrication. However, periodic cleaning/vacuuming of the fan/heater unit is recommended.



**WARNING: Make sure that the power is turned off before proceeding.**

## GLASS INFORMATION

1. Under no circumstances should this product be operated with missing or broken glass.
2. Do not strike or slam the glass.
3. Do not use abrasive cleaners to clean the glass.
4. Replacement glass is available from the manufacturer and replacement should be carried out by a qualified service person.

## SERVICE INSTRUCTIONS



**WARNING: Disconnect power before attempting any maintenance or cleaning to reduce the risk of fire, electrical shock or personal injury.**

### REPLACING LIGHT BULBS

This fireplace uses four clear 120 Volt, 60 Watt, E-12 socket base light bulbs (small base, chandelier candle type). The 60 Watt bulbs are located under the log set/ember bed. For convenience, if one of the bulbs burns out, it may be a good idea to replace all of the light bulbs.

1. Turn off power to the unit by unplugging the power cord.
2. Let fireplace cool if it has been operating.
3. Remove the two screws on the top corner of screen. Pull the screen upward slightly, and then pull out.

4. Remove the four screws that secure the log set/ember bed in position.
5. Remove log set / ember bed and grate assembly.
6. Examine the bulb(s) to determine which bulbs need to be replaced.
7. While holding the socket, unscrew defective bulb(s) counterclockwise.
8. Install the new light bulb(s) by holding the socket and screwing clockwise.
9. Reinstall the log set/ember bed, grate assembly and screen. Follow the above procedure in reverse order.



**WARNING: Do not exceed 60 Watts per bulb. The use of higher rated bulbs may result in a fire causing property damage and personal injury.**

# ELECTRICAL WIRING DIAGRAM

Any electrical repairs or rewiring of this unit should be carried out by a licensed electrician in accordance with national and local codes.

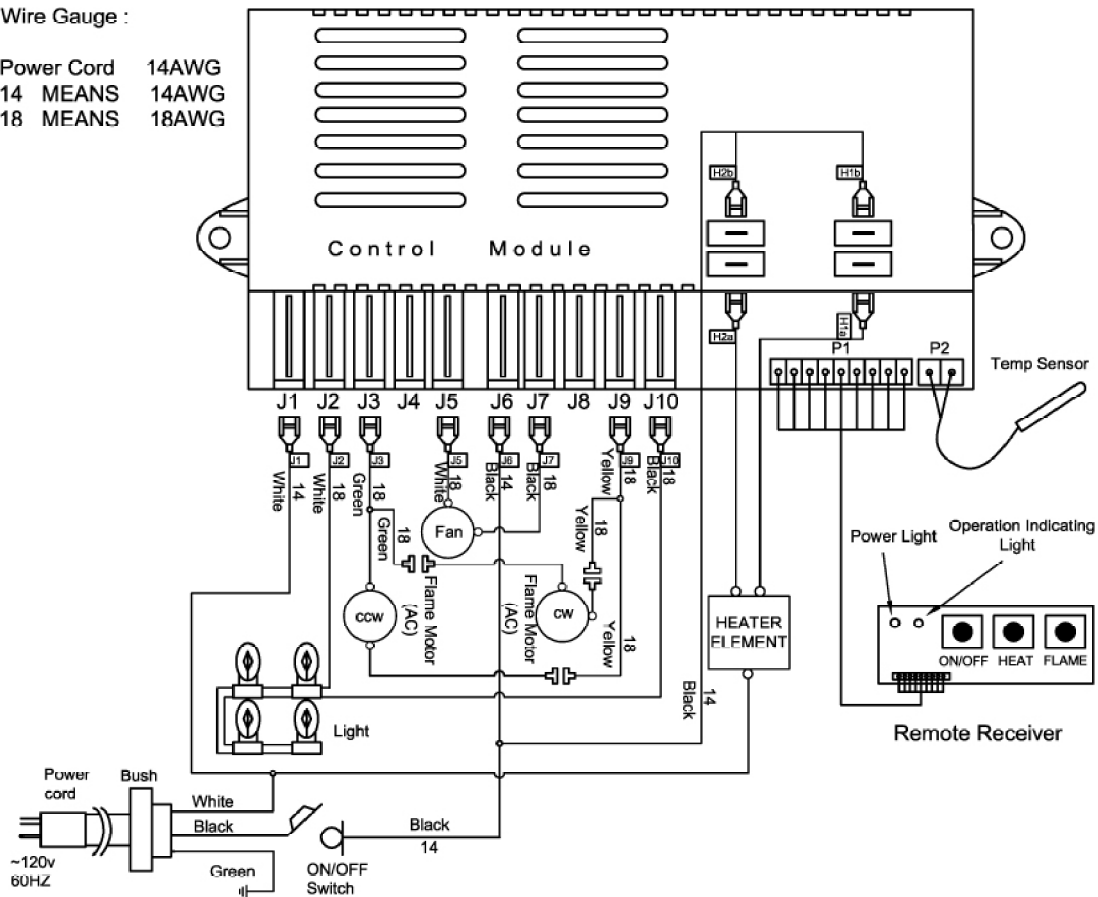


If repairing or replacing any electrical component or wiring, the original wire routing, color coding and securing location must be followed.

## Electrical Wiring Diagram

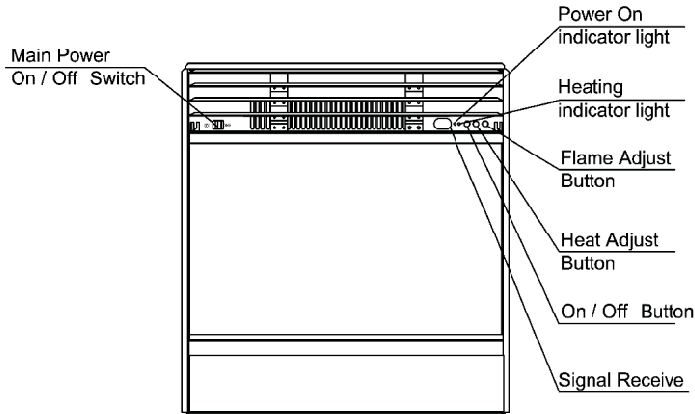
Wire Gauge :

Power Cord 14AWG  
 14 MEANS 14AWG  
 18 MEANS 18AWG



If any of the original wire as supplied with the appliance must be replaced , it must be replaced with a wire of at least a 105 centigrade temperature rating .

# Operating Instructions



Heater Front View

Before programming your transmitter you must first insert two "AAA" batteries.

Make sure the main power on/off switch is "ON" position.

## 1. The ON/OFF button:

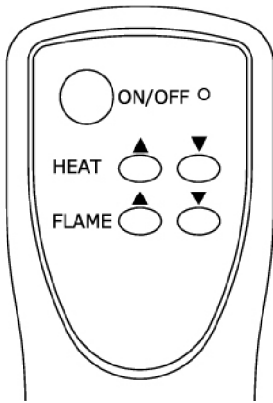
\*Note: When Fireplace is first operated, the default setting will be: brightest flame, and full heating To turn on Heater, press the "ON/OFF" button. Heaters will be at the last settings before shutting down. To turn off heater, press the "ON/OFF" button again.

## 2. Flame brightness setting:

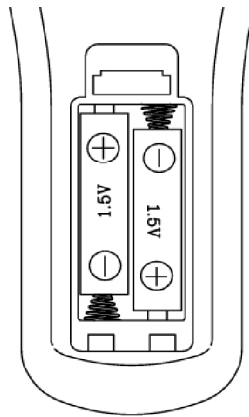
There are six settings for flame brightness: "1", "2", "3", "4", "5" and "6 (OFF)". Press ▼ button to decrease the flame brightness, and ▲ button to increase the flame brightness.

## 3. Heating level setting:

There are four settings for heating level: "HI", "MID", "LOW", and "OFF". Press ▼ button to decrease the Heating level and ▲ button to increase the Heating level. If set on "HI", the set room temperature will be approximately 90°F; set on "MID", the set room temperature will be approximately 80°F; set on "LOW", the set room temperature will be approximately 70°F.



Remote Control Front



Remote Control Back

## Manual Operation (without handheld remote)

Press "ON/OFF" button to turn on or off the fireplace.  
 Press "HEAT Adjust" button to control heater.  
 Press "FLAME" button to control the Flame brightness.



## SPECIFICATIONS:

Model: SFE23RE series

Voltage: 120V/60HZ Total Amps: 11.5A

Total Watts: 1380W Heating Ratings: 1200W

Dimensions, Inches (H x W X D)

Fireplace 38x39 1/2x15 5/8

Carton 42 1/2x41 3/8x17 5/16

Weight, Pounds

Fireplace 132

Shipping 143

Model: SFE33RE series

Voltage: 120V/60HZ Total Amps: 11.5A

Total Watts: 1380W Heating Ratings: 1200W

Dimensions, Inches (H x W X D)

Fireplace 43 1/2 x 52 3/4 x 16 15/16

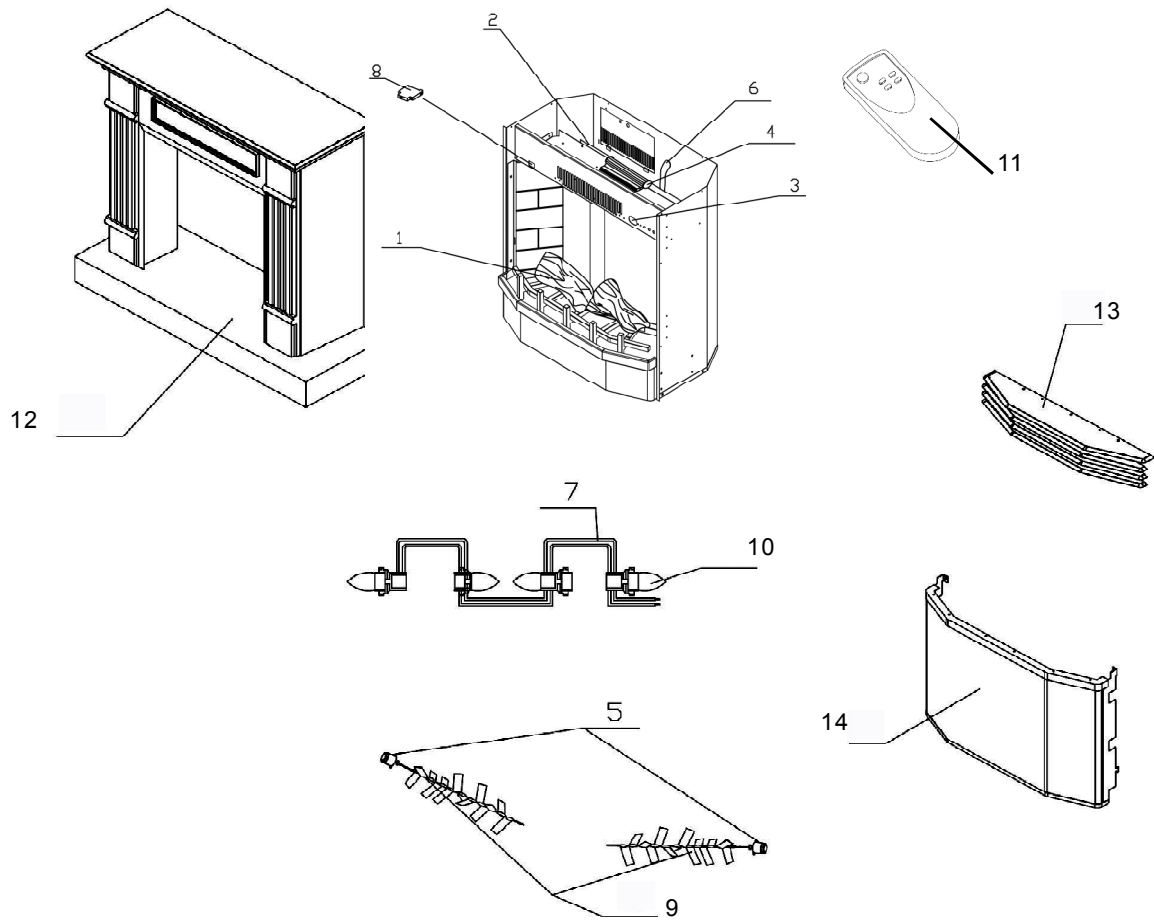
Carton 45 x 56 x19

Weight, Pounds

Fireplace 210

Shipping 230

# Replacement Parts



(Logs for SIE33RE)



(Logs for SIE23RE)

# Replacement Parts List

## SIE23RE Series

## SIE33RE Series

Item	Part Description	Part Number	
		SIE23RE	SIE33RE
1	Log Set	FE23A400	FE33A400
2	Control Box	ECRMA1	ECRMA1
3	Receiver	ECRRA1	ECRRA1
4	Fan Heater Assembly	NFHTX186 / VB17-000G	NFHTX186/V- B17-000G
5	AC Motor	FE23A304	FE23A304
6	Power Cord w/Terminal	NFHL008-A	NFHL008-A
7	Light Bulb Socket w/Wiring Assembly	FE23A306	FE23A306
8	Over Current Protector	FE23A305	FE23A305
9	Ember bed generator Assy	FE23A207	FE33A207
10	Light Bulb	VL055-01	VL055-01
11	Remote Control	ECRTA1	ECRTA1
12	Mantel Assy	FE23A500-X*	FE33A500-X*
13	Louver ASSY	FE23A109-A	FE33109-A
14	Viewing Door	FE23A130-W	FE33A130-W
15	Log 1	FE23A403	FE33A403
16	Log 2	FE23A404	FE33A404
17	Log 3	FE23A405	FE33A405
18	Log 4		FE33A406
19	Log 5		FE33A407
20	Log 6		FE33A408

