


PROPANE CONSTRUCTION HEATER

USER'S MANUAL AND OPERATING INSTRUCTIONS

| | | | |
|-------------------|---------|--------------------------|---------------|
| MODEL NUMBERS: | RFG40V | (40,000 BTU/HR, | FORCED - AIR) |
| | RFG50V | (30,000/50,000 BTU/HR, | FORCED - AIR) |
| | RFG60V | (30,000/60,000 BTU/HR, | FORCED - AIR) |
| | RFG100V | (70,000/100,000 BTU/HR, | FORCED - AIR) |
| | RFG125V | (70,000/125,000 BTU/HR, | FORCED - AIR) |
| | RFG150V | (120,000/150,000 BTU/HR, | FORCED - AIR) |



ANS Z83.7-2017 CSA 2.14-2017

 Adequate ventilation must be provided.

LIKE OUR PRODUCT?

Then post a positive review!



This qualifies you for a 90-day extended warranty!

Then be sure to check the "like us" box when registering your product and you will automatically get an extra 90-days added to your product warranty.

 **GENERAL HAZARD WARNING**

FAILURE TO COMPLY WITH THE PRECAUTIONS AND INSTRUCTIONS PROVIDED WITH THIS HEATER, CAN RESULT IN DEATH, SERIOUS BODILY INJURY AND PROPERTY LOSS, OR DAMAGE FROM THE HAZARDS OF FIRE, EXPLOSION, BURN. ASPHYXIATION, CARBON MONOXIDE POISONING, AND/OR ELECTRICAL SHOCK.

ONLY PERSONS WHO CAN UNDERSTAND AND FOLLOW THE INSTRUCTIONS SHOULD USE OR SERVICE THIS HEATER.

IF YOU NEED ASSISTANCE OR HEATER INFORMATION SUCH AS AN INSTRUCTION MANUAL, LABELS, ETCETERA, CONTACT THE MANUFACTURER.


CONSUMER: Retain this manual for future reference.

Made by
World Marketing of America, Inc.
PO Box 192, 12256 William Penn Hwy.
Mill Creek PA 17060-0192
(Tel) 1-800-776-9425
www.worldmktng.com

PROPANE CONSTRUCTION HEATER

TABLE OF CONTENTS


| | |
|------------------------------------------------------------|---------|
| Introduction & Specifications | 3 |
| • General Safety Instructions | 4 |
| • Product Features | 4 |
| • Unpacking Heater | 5 |
| • Size & Capacity Of Propane Cylinders | 6 |
| • Installation To The Propane Gas Tank | 7 |
| • Refilling The Propane Gas Tank | 7 |
| • Leak Checking & Positioning Heater | 8 |
| • Lighting & Shutdown Instructions | 8 - 9 |
| • Test Firing Heater & Storage | 9 |
| • Troubleshooting | 10 |
| • Wiring Diagrams | 11 - 12 |
| Replacement Parts List | 14, 16 |
| PROPANE CONSTRUCTION HEATER ILLUSTRATED / PARTS BREAKDOWN: | |
| RFG40V / RFG50V / RFG60AV | 13 |
| RFG100V / RFG125V /RFG150V | 15 |
| • Warranty | 17 |

 **WARNING:** FIRE, BURN, INHALATION, AND EXPLOSION HAZARD, KEEP SOLID COMBUSTIBLES, SUCH AS BUILDING MATERIALS, PAPER OR CARDBOARD, A SAFE DISTANCE AWAY FROM THE HEATER AS RECOMMENDED BY THE INSTRUCTIONS. NEVER USE THE HEATER IN SPACES WHICH DO OR MAY CONTAIN VOLATILE OR AIRBORNE COMBUSTIBLES, OR PRODUCTS SUCH AS GASOLINE, SOLVENTS, PAINT THINNERS, DUST PARTICLES OR UNKNOWN CHEMICALS.



CALIFORNIA RESIDENTS ONLY-WARNING:

This product and the fuels used to operate this product (propane), and the products of combustion of such fuels, can expose you to chemicals including benzene, which is known to the State of California to cause cancer and birth defects or other reproductive harm. For more information go to: www.P65Warnings.ca.gov

 **WARNING:** Using this heater in a residential garage requires that the heater is positioned so that it is protected against any possible damage by a moving vehicle, etc. It must be positioned so that the base of the heater is no less than 18 in (450 mm) above the garage floor or 8 ft (2450 mm) in repair garages. The heater must be placed on a stable surface. Do not place it on a chair, ladder, etc. Raising the heater will reduce BUT NOT eliminate the possibility of lighting the vapor of any flammable liquids which may be improperly stored or accidentally spilled. If the smell of gasoline is present, DO NOT operate this heater until the area has been properly ventilated.



WARNING: CONSTRUCTION HEATERS ARE NOT FOR USE IN GARAGES IN CANADA.



WARNING: NOT FOR HOME OR RECREATIONAL VEHICLE USE.

NEVER LEAVE THE HEATER UNATTENDED WHILE BURNING!

PROPANE CONSTRUCTION HEATER

DURAHEAT PROPANE FORCED AIR CONSTRUCTION HEATERS

The heater is designed and approved for use as a construction heater under ANS Z83.7 CSA 2.14. It is hard to anticipate every use which may be made of this heater. **CHECK WITH YOUR LOCAL FIRE SAFETY AUTHORITY IF YOU HAVE QUESTIONS ABOUT APPLICATIONS.**

Other standards govern the use of fuel gases and heat producing products in specific applications. Your local authority can advise you about these.

IMPORTANT: READ THIS USER'S MANUAL CAREFULLY AND COMPLETELY BEFORE TRYING TO OPERATE OR SERVICE THIS HEATER. IMPROPER USE OF THIS HEATER CAN CAUSE SERIOUS INJURY OR DEATH FROM FIRE, EXPLOSION AND CARBON MONOXIDE POISONING.

This is a direct-fired forced air construction heater for either indoor construction or outdoor use. Its intended use is primarily the temporary heating of buildings or structures under construction, alteration or repair. All the products of combustion generated by the heater are forced through the heater and released into the area being heated. This heater operates at approximately 98%+ combustion efficiency but still produces a small amount of carbon monoxide. Humans can tolerate small amounts of carbon monoxide for short periods. Carbon monoxide can build up in a heated space and failure to provide adequate ventilation could result in poisoning or death.

 **WARNING:** NOT FOR USE WITH DUCT WORK.

WARNING Air Quality Hazard

- Do not use this heater for heating human living quarters.
- Use of direct-fired heaters in the construction environment can result in exposure to levels of CO, CO₂, and NO₂ considered to be hazardous to health and potentially life threatening.
- Do not use in unventilated areas
- Know the signs of CO and CO₂ poisoning
 - Headaches, stinging eyes
 - Dizziness, disorientation
 - Difficulty breathing, feels of being suffocated
- Proper ventilation air exchange (OSHA 29 CFR 1926.57) to support combustion and maintain acceptable air quality shall be provided in accordance with OSHA 29 CFR Part 1926.154, ANSI A10.10 Safety Requirements for Temporary and Portable Space Heating Devices and Equipment used in the Construction Industry or the Natural Gas and Propane Installation Codes CSA B149.1
 - Periodically monitor levels of CO, CO₂ and NO₂ existing at the construction site – at the minimum at the start of the shift and after 4 hours.
 - Provide ventilation air exchange, either natural or mechanical, as required to maintain acceptable indoor air quality"

**NEVER LEAVE THE HEATER
UNATTENDED WHILE BURNING!**


PROPANE CONSTRUCTION HEATER

GENERAL SAFETY INSTRUCTION

Accidents are always tragic especially because so many of them could have been prevented with little care and judgment. There are some basic good practices, we hope you will follow for safe use of your heater.

IMPORTANT SAFETY INSTRUCTION

- Children should be carefully supervised, when they are in the area.
- Always maintain proper clearance from combustible materials. Minimum clearance from combustibles: Side - 24" (61 cm); Top - 48" (121.9 cm); Front - 72" (183 cm). Floor - combustible. Not for use on finished floors.
- Heater must be placed on level and stable surface.
- Never place anything including clothes or other flammable items on the heater.
- The appliance area shall be kept clear and free from combustible materials, gasoline and other flammable vapours and liquids.
- Do not modify or operate a heater which has been modified.
- Adequate clearance for accessibility and for combustion & ventilation air supply must be maintained at all times when the heater is operating.
- Service and repair should be done by a qualified service person. The heater should be inspected before each use and at least annually by a qualified person. More frequent cleaning may be required as necessary. Do not service while hot or operating.
- Never connect heater to an unregulated gas supply.
- The heater is shipped from the factory for LP(Propane) gas. This heater is for use with propane gas only, do not convert heater to any other gas. Installation must conform to local codes or, in the absence of local codes, with the standard for the Storage and Handling of Liquefied Petroleum Gases ANSI/NFPA 58 and the Natural Gas and Propane Installation Code CSA B149.1
- The minimum and maximum inlet pressures to the regulator from the gas tank are 5 psi and bottle pressure, respectively. Use only the regulator & hose assembly provided with the heater. Inspect the regulator/hose assembly prior to each use of the heater. If there is excessive abrasion or wear, or hose is cut, replace with regulator/hose assembly listed on the parts list prior to using this heater.
- Gas supply connections should be checked using a 50/50 solution of liquid dish soap and never use a flame to check for gas leaks.
- The electrical connection & grounding must comply with National Electrical Code. ANSI/NFPA 70 or in Canada CSA C22.1, Canadian Electrical Code, Part 1. Use only a properly grounded three (3) prong receptacle.
- Do not restrict inlet or outlet by any means. The flow of combustion and ventilation air is not to be obstructed.
- This heater should not be directed toward any propane-gas container within 20 ft (6M). The heater must be located at least 6 ft. (1.83 m) in the U.S.; or (ii) 10 ft. (3 m) in Canada, from any propane gas container.
- The propane cylinder supply system must be arranged to provide for vapour withdrawal from the operating cylinder.
- This heater is not to be used with external thermostats, timers or other devices that control or alter electrical supply to the heater.
- Installation of this Appliance at altitudes above 2000 ft. (610 m) shall be in accordance with local codes, or in the absence of local codes the, National Fuel Gas Code, ANSI Z223.1 / NFPA 54, or National Standard of Canada, Natural Gas and Propane Installation Code, CSA B149.1.
- For either indoor or outdoor use. Adequate ventilation shall be provided in accordance with OSHA 29 CFR 1926.154, Safety Requirements for Temporary and Portable Space Heating Devices and Equipment ANSI A10.10, ANSI 223.1 / NFPA 54, Liquefied Petroleum Gas Code, NFPA 58 or the National Gas and Propane Installation Code, CAN B149.1 as appropriate.

 **WARNING:** Motor and fan must be running before lighting, during operation and at shutdown, in order to prevent a flame-out condition which could result in personal injury or property damage.

PRODUCT FEATURES

- Portable & Stable
- Wind Resistant & Rain Protected
- Continuous Spark Ignition or Piezo Electric Spark Ignition
- 100% Safety Shutoff System
- Continuous Adjustable Input Ratings (Except FA40)

NEVER LEAVE THE HEATER UNATTENDED WHILE BURNING!

PROPANE CONSTRUCTION HEATER

UNPACKING HEATER

1. Remove heater from carton.
2. Remove all protective packing applied to heater for shipment.
3. Retain cartons and packaging material until unit is operated and found in good condition.
4. Check heater for any shipping damage. If heater shows any external or internal damage, promptly inform dealer/distributor where you purchased heater.

Assembly Components and Instructions for Steel Base Units:

Tools required for assembly:

All Models: Adjustable Wrench
RFG100 - RFG150: Phillips
Head Screw Driver

Contents:

All Models: Unit, Manual, Hose and Regulator
Assembly

RFG100 - RFG150 Series Includes:

2 Cord Wrap Attachments, 4 Screws (ST3.5x10)

Assembly Time:

5 Minutes

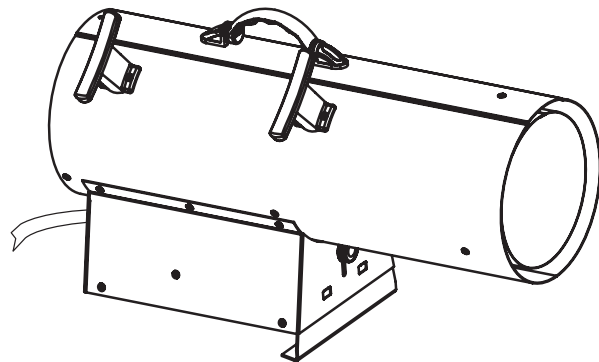
1. Assembling the Cord Wrap

Attachments: RFG100 - RFG150 Series
Only)

Parts Required:

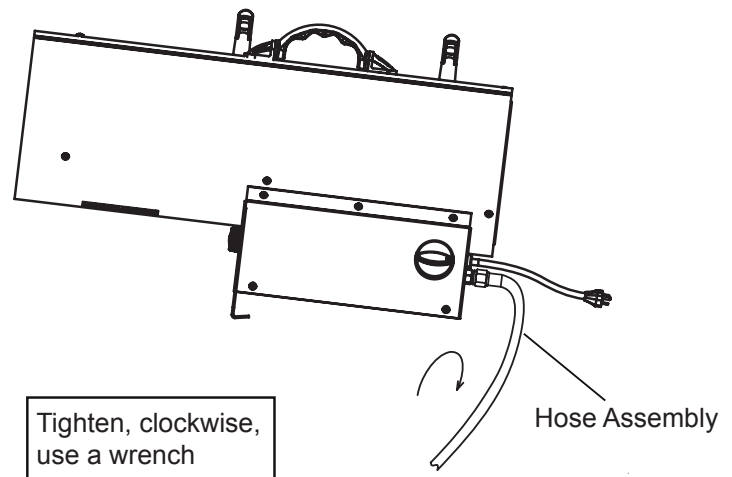
4 Screws (ST3.5x10),
and 2 Cord Wrap Attachments

Place the cord wrap attachment
as shown, then use Phillips
screwdriver to tighten the
screws and secure the
cord wrap attachments.



2. Regulator and Hose Connection: (All Models)

See figure on right.
Connect the hose tightly to
the heater using a wrench.
Please also refer to
page 8 in the manual.



**NEVER LEAVE THE HEATER
UNATTENDED WHILE BURNING!**

PROPANE CONSTRUCTION HEATER

INFORMATION ON SIZE * CAPACITY OF PROPANE GAS CYLINDERS:

The chart below shows the number and size of propane tanks needed to run this heater.

*Less gas is vaporized at lower temperatures.

You may need two or more 100 pound (45 kg) tanks or one larger tank in colder weather.

(See the parts list for your model of heater to get the specified regulator assembly.)

| Temperature (°F-°C) at tank | Number of Tanks | | |
|-----------------------------------|---------------------|----------------------------|------------------|
| | 40,000-60,000 BTU/h | 100,000 - 125,000 BTU/h | 150,000 BTU/h |
| Above 32°F (0°C) | 1 - 20lb (9kg) | 2 - 100lb (45kg) | 2 - 100lb (45kg) |
| 32°F (0°C) | 1 - 20lb (9kg) | 2 - 100lb (45kg) | 2 - 100lb (45kg) |
| 20°F (-7°C) | 1 - 20lb (9kg) | 2 - 100lb (45kg) | 3 - 100lb (45kg) |
| 10°F (-12°C) | 1 - 20lb (9kg) | 3 - 100lb (45kg) | 3 - 100lb (45kg) |
| -10°F (-23°C) | 2 - 20lb (9kg) | Use Larger Tank | Use Larger Tank |
| -20°F (-29°C) | 1 - 100lb (45kg) | Use Larger Tank | Use Larger Tank |

The propane (LP) gas tank must also be equipped with the following:

- A collar to protect the Propane gas valve.
- A shutoff valve terminating a Propane gas cylinder valve outlet as specified in the American National Standards for Compressed Gas Cylinder Valve Outlets and Inlet Connections.
- A safety relief valve having direct communications with the vapor space of the tank.
- An arrangement of vapor withdrawal.

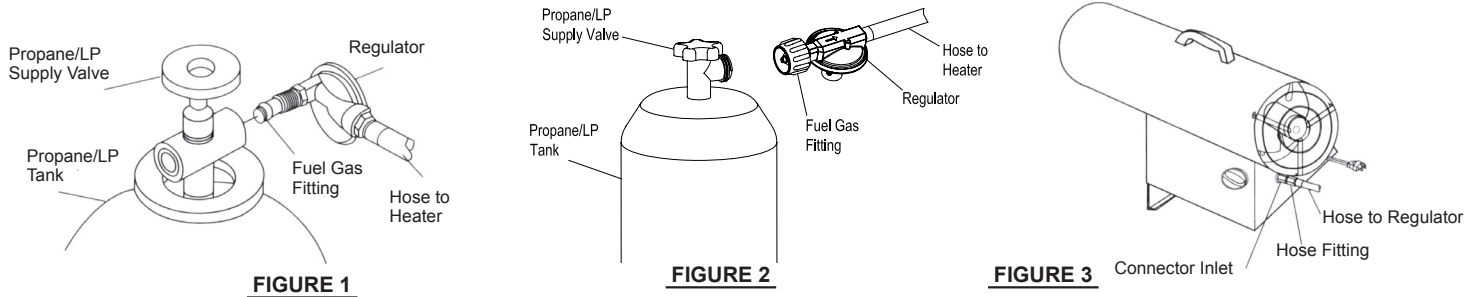
The propane (LP) gas pressure regulator and hose assembly supplied with this heater must be used without alteration.

The hose assembly shall be visually inspected prior to each use of the heater. If it is evident that there is excessive abrasion or wear, or the hose is cut, it must be replaced prior to the heater being put into operation. The replacement hose assembly shall be that specified by the manufacturer.

PROPANE CONSTRUCTION HEATER

INSTALLATION TO THE PROPANE GAS TANK

IMPORTANT: You must use a propane/LP gas supply cylinder that is compatible with the connection device provided with the hose and regulator.



1. Provide propane/LP supply system. Ensure that the valve on the cylinder is fully closed by turning the knob fully clockwise (↻). Ensure that the cylinder is fully upright for vapor withdrawal. (see size/capacity, page 7).
2. Connect hose to heater inlet. Tighten firmly using a wrench. You must use the regulator supplied with heater.
3. Connect fuel gas fitting hose/regulator assembly to propane LP tank(s).
 - 3a. For units with a POL fitting (see figure 1) turn fuel fitting counterclockwise into threads on tank. Tighten firmly using a wrench. Some models have a hand wheel that can be used to tighten the fitting. This hand wheel can be slid off of the nut so that a wrench can also be used to tighten the fitting. **IMPORTANT:** Position regulator so that hose leaving the regulator is in a horizontal position.
 - 3b. For units with a QCC fitting (see figure 2) turn QCC gas fitting clockwise onto threads on tank. Tighten firmly using your hand (DO NOT USE A WRENCH). **IMPORTANT:** Position regulator so that the regulator vent is pointing down toward the floor and the arrow on the regulator is visible.
4. Open propane/LP supply valve on propane/LP tank(s) slowly. NOTE: If not opened slowly, excess flow device in regulator may stop gas flow. If this happens, close propane/LP supply valve, wait one minute (or until you hear a click) and open again slowly.
5. Check all connections for leaks. Apply a 50/50 solution of liquid dish soap and water to gas joints. Bubbles forming show a leak that must be corrected.
6. Close propane / LP supply valve before attempting to repair connection.

WARNING: Purging and filling of LP gas tanks must be performed by personnel who has been thoroughly trained in accepted LP gas industry procedures. Failure to follow these instructions may result in explosion, fire, severe personal injury, or death.

REFILLING THE PROPANE GAS TANK

ALL NEW CYLINDERS MUST BE PURGED BEFORE THE FIRST FILLING.

- Turn heater gas valve knob and gas tank valve to OFF position.
- Propane tank valve equipped with the old style fitting has LEFT HANDED THREADS. Turn POL fitting CLOCKWISE to loosen. Protect POL fitting when disconnected from tank.
- Have tank filled by your local Propane gas supplier.
- Fasten full Propane tank and connect POL fitting to tank valve by turning COUNTERCLOCKWISE.
- With heater gas valve knob still in the OFF position, turn ON tank valve and check for leaks with soap solution.

**NEVER LEAVE THE HEATER
UNATTENDED WHILE BURNING!**

PROPANE CONSTRUCTION HEATER

PROPANE SAFETY

Propane is safe to use when properly handled. Careless handling of the Propane gas tank could result in fire and/or an explosion. Therefore:

- Always keep tank/cylinder securely fastened in an upright position.
- Avoid tipping tank on its side when connected to a regulator since this may cause damage to diaphragm in regulator.
- Handle valves with care.
- Never connect an unregulated Propane tank to construction heater.
- Do not subject Propane tank to excessive heat.
- Tightly close the gas shutoff valve on the Propane tank after each use.
- The POL fitting must be protected when disconnected from the propane tank.
- Never store a Propane gas tank inside a building or in the vicinity of any gas burning appliance.

THE DISCONNECTED TANK MUST NEVER BE STORED IN A BUILDING, GARAGE OR ANY OTHER ENCLOSED AREA.

LEAK CHECKING





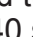

Check all gas connections with a soap solution to be sure they are tight and leak proof.

- The installation of your heater must meet all local codes and/or gas utility requirements or, in the absence of local codes, with the Storage and Handling of Liquefied Petroleum Gases, ANSI/ NFPA 58 and the Natural and Propane Installation Code, CSA B149.1.
- The minimum clearances to combustible construction: Side - 24" (61 cm); Top - 36" (92 cm); Front - 72" (183 cm); Floor - combustible, must be maintained at all times.
- The hose assembly should be visually inspected prior to each use of the heater. If it is evident that there is excessive abrasion or wear, or the hose is cut, it must be replaced prior to the heater being put into operation.
- The replacement hose assembly shall be that specified by the manufacturer (Refer to parts list).

LIGHTING INSTRUCTIONS

⚠ WARNING: Motor and fan must be running before lighting, during operation and shutdown, in order to prevent a flame-out condition which could result in personal injury or property damage.

NOTE: This heater uses a continuous spark ignition system. This unit will continue to make a clicking/ticking sound at all times before ignition, after ignition and during operation, regardless of valve knob positioning.

1. Connect power cord to a properly grounded three (3) prong 120V, 60Hz, single phase receptacle.
2. Turn gas valve knob clockwise  to OFF  position.
3. Wait five (5) minutes to clear any gas. Then smell for gas, if you don't smell gas, go to next step.
4. Turn gas supply ON by turning Propane tank valve counterclockwise .
5. Push in and turn gas control knob counterclockwise  to "LOW/IGN". This will light the burner. If needed, keep pressing control knob until the burner lights and keep depressing and turning from OFF  to LOW/IGN on Piezo electric spark models. ("HIGH/IGN": In case of RFG40 series)
6. Keep the valve knob depressed for at least 30 seconds after lighting the burner. After 30 seconds release valve knob.
7. If burner does not stay lit, repeat the lighting procedure.
8. When burner is lit, turn gas valve knob counterclockwise  to desired setting. (All models, except FA40 series).

**NEVER LEAVE THE HEATER
UNATTENDED WHILE BURNING!**

PROPANE CONSTRUCTION HEATER

SHUTDOWN INSTRUCTIONS

⚠ WARNING: Motor and fan must be running before lighting, during operation and at shutdown, in order to prevent a flame-out condition which could result in personal injury or property damage. Turn gas valve knob clockwise ↻ to OFF ○ position. Turn gas supply OFF by turning Propane tank valve clockwise ↻ to close. Disconnect the power cord once the heater has cooled to ambient temperature.

TEST FIRING HEATER

Test fire your construction heater, following the lighting instructions applicable to the gas control system employed. Leak test all gas connections with soap solution. Soap bubbles indicate gas leakage. DO NOT use a match or flame to test for gas leaks.

STORAGE

Never store a Propane gas tank inside a building or in the vicinity of any gas or oil burning appliance. When the Propane tank is not disconnected from the construction heater, the gas tank and heater must be stored outdoors in a well ventilated area, out of the reach of children. If for any reason the heater is to be stored indoors, the tank must be disconnected and stored outdoors in a well ventilated area out of reach of children, in accordance with the standard for the the Storage and Handling of Liquefied Petroleum Gases, ANSI / NFPA 58 and CSA B149.1, Natural Gas and Propane Installation Code. The plastic tank valve plug supplied with your tank must be tightly installed when the tank is disconnected from the heater.

MAINTENANCE INSTRUCTIONS

1. Turn unit off, allow heater to fully cool and disconnect propane hose before performing any Maintenance functions. Unplug the unit from the 120V receptacle.
2. Keep unit clean and keep the inside of the torpedo housing debris free.
3. Have unit checked by a qualified technician at least once a year, preferably prior to the heating season.

REPLACEMENT PARTS

Warning: Use only original replacement parts. This Heater must use design-specific parts. Do not substitute or use generic parts. Improper replacement parts could cause serious or fatal injuries.

This will also protect your warranty coverage for parts replaced under warranty.

Parts warranty and non-warranty: Contact authorized dealers of this product. If they can not supply original replacement part(s), either contact your nearest Parts Central or World Marketing of America at 1-800-776-9425.

When calling World Marketing, have ready:

- your name
- your address
- how heater was malfunctioning
- serial number of heater
- model number of heater
- replacement part number

**NEVER LEAVE THE HEATER
UNATTENDED WHILE BURNING!**

PROPANE CONSTRUCTION HEATER

TROUBLESHOOTING

| PROBLEM | POSSIBLE CAUSE | CORRECTIVE ACTION |
|----------------------------------------------------------|---------------------------------------------------------------------------------------------------------------------------------------------------------------------------------------------------------------------------|----------------------------------------------------------------------------------------------------------------------------------------------------------------------------------------------------------------------------------------------------------------|
| 1. Control dial is off and unit is clicking/ticking | 1. This heater uses a continuous spark ignition system. This unit will continue to make a clicking/ticking sound at all times before ignition, after ignition and during operation, regardless of valve knob positioning. | 1. No corrective action is needed. |
| 2. The unit is ticking/clicking while the heater is lit. | 1. This heater uses a continuous spark ignition system. This unit will continue to make a clicking/ticking sound at all times before ignition, after ignition and during operation, regardless of valve knob positioning. | 1. No corrective action is needed. |
| 3. Fan does not turn when electrical connection is made. | 1. No electric power to heater. 2. Fan blade contacts inside of heater housing. 3. Fan blade(s) bent 4. Fan motor defective. | 1. Check current to electric outlet. If voltage is correct, check power cord and extension cord for 2. Be sure that housing is not damaged. Make sure there are no obstructions to the fan. 3. Straighten blade(s) to match others. 4. Replace motor. |
| 4. Heater will not fire. | 1. No spark at ignitor. 2. Improper spark gap. 3. Bad electrode. | 1. Check ignitor wire. Re-attach or tighten if loose. Check Spark module. Replace if necessary. 2. Set gap (See specifications for gap). 3. Replace Spark Plug. |
| 5. Heater quits while running. | 1. Internal temperature too high causing limit switch to shut down operation. 2. Damaged Control Valve. 3. Dust or debris build-up inside of heater. | 1. If the heaters output is restricted, internal temperature becomes too high. Move heater away from any obstructions. 2. Replace Control Valve. 3. Clean inside of heater. |

Always be sure to follow proper maintenance procedures, by cleaning the heater once per month during regular usage, and check spark gap at least once per season.

FOR TECHNICAL ASSISTANCE SEE YOUR LOCAL RETAILER OR CONTACT US AT:

PHONE: 800-776-9425

EMAIL: support@worldmkting.com or

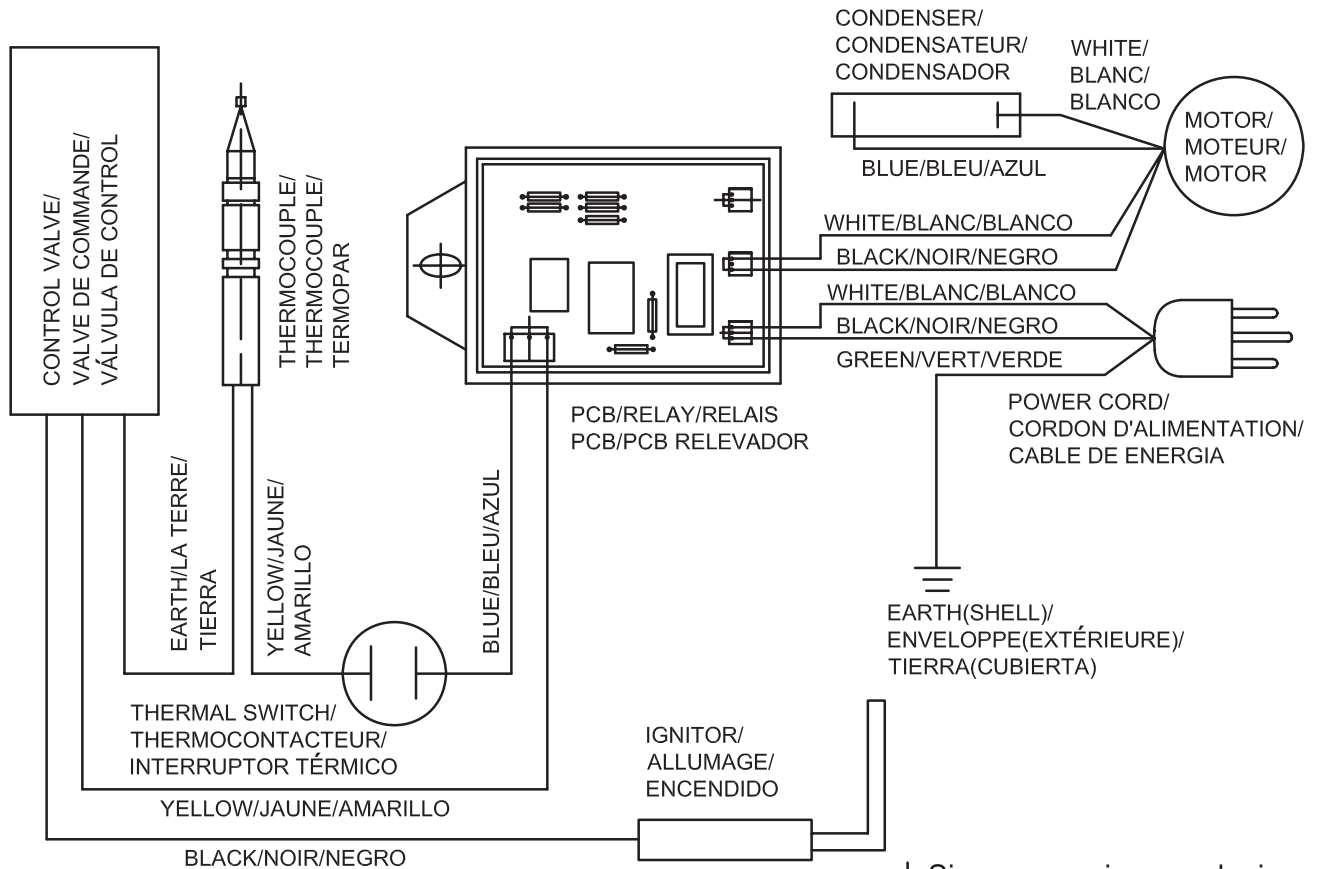
info@worldmkting.com www.worldmkting.com

**NEVER LEAVE THE HEATER
UNATTENDED WHILE BURNING!**

PROPANE CONSTRUCTION HEATER

WIRING DIAGRAMS

PIEZO / MANUAL SPARK MODELS
MODÈLES À ÉTINCELLE PIÉZOÉLECTRIQUE / MANUELLE
MODELOS DE CHISPA MANUAL O PIEZOELÉCTRICA



If any original wiring supplied with the heater must be replaced, it must be type AWG 105°C wire or its equivalent, except as indicated.

Si vous devez faire remplacer les fils d'origine du radiateur, procurez-vous du fil AWG 105 Celsius ou l'équivalent, sauf indication contraire.

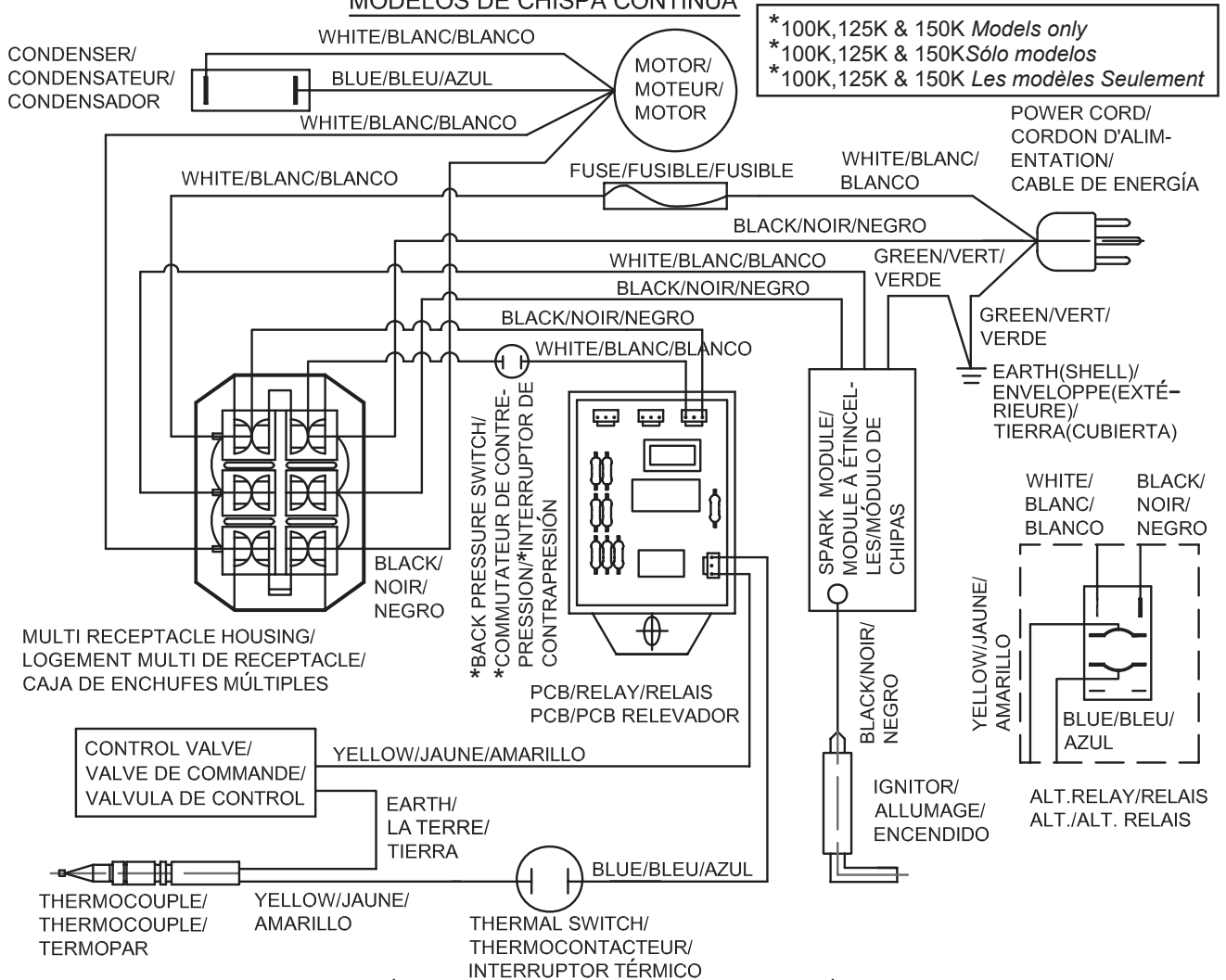
Si se proporciona cualquier cableado con el calentador se debe reemplazar, debe ser cable tipo AWG 105°C o su equivalente, excepto como se indica.

NEVER LEAVE THE HEATER UNATTENDED WHILE BURNING!

PROPANE CONSTRUCTION HEATER

WIRING DIAGRAMS

CONTINUOUS SPARK MODELS/MODÈLES À ÉTINCELLE CONTINUE MODELOS DE CHISPA CONTINUA



If any original wiring supplied with the heater must be replaced, it must be type AWG 105°C wire or its equivalent, except as indicated.

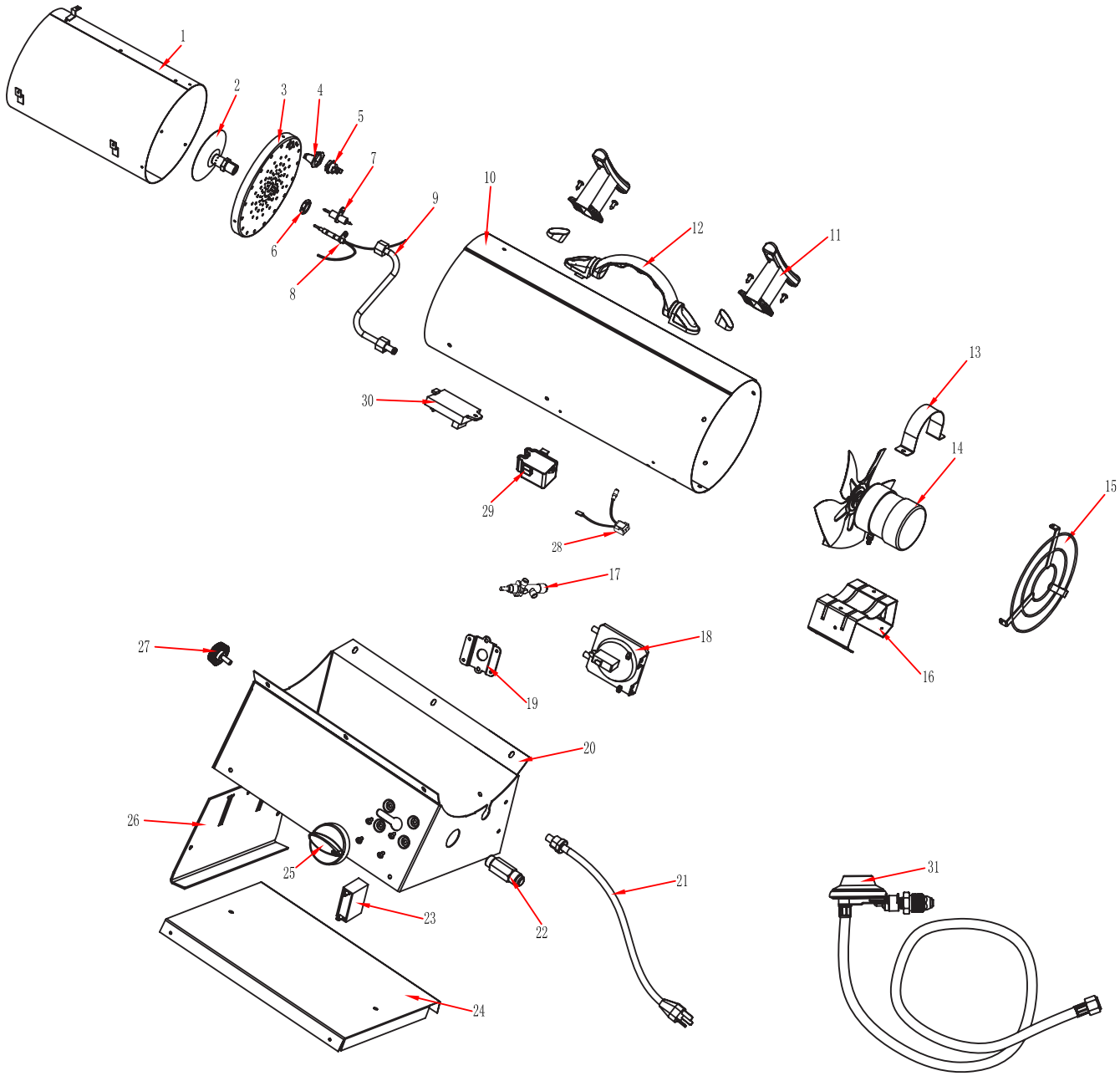
Si vous devez faire remplacer les fils d'origine du radiateur, procurez-vous du fil AWG 105 Celsius ou l'équivalent, sauf indication contraire.

Si se proporciona cualquier cableado con el calentador se debe reemplazar, debe ser cable tipo AWG 105°C o su equivalente, excepto como se indica.

PROPANE CONSTRUCTION HEATER

REPLACEMENT PARTS LIST

MODELS:
RFG40V
RFG50V
RFG60V



**NEVER LEAVE THE HEATER
UNATTENDED WHILE BURNING!**

PROPANE CONSTRUCTION HEATER

REPLACEMENT PARTS LIST

| ITEM No. | DESCRIPTION | QTY | PART NUMBER | | |
|----------|-----------------------------------------------|-----|-----------------|-----------------|-----------------|
| | | | RFG40V | RFG50V | RFG60V |
| 1 | INNER SHELL ASSEMBLY | 1 | 2304818 | 2304818 | 2304818 |
| 2 | NOZZLE | 1 | *2304829 | *2304942 | *2325121 |
| 3 | FLAME CAP | 1 | 2304819 | 2304819 | 2325120 |
| 4 | THERMAL SWITCH BRACKET | 1 | 2304826 | 2304826 | 2304826 |
| 5 | THERMAL SWITCH | 1 | 2201373 | 2201563 | 2201599 |
| 6 | NOZZLE NUT | 1 | 2304578 | 2304578 | 2304578 |
| 7 | SPARK PLUG ASSEMBLY | 1 | 2201375 | 2201375 | 2206033 |
| 8 | THERMOCOUPLE ASSEMBLY (1130/1474-425L) | 1 | 2304885 | 2304885 | 2304885 |
| 9 | GAS TUBING ASSEMBLY | 1 | 2304830 | 2304830 | 2304830 |
| 10 | OUTER SHELL | 1 | 2315956 | 2315956 | 2315956 |
| 11 | CORD WRAP (select models only) | 2 | N/A | N/A | N/A |
| 12 | HANDLE ASSEMBLY - BLACK | 1 | 2101447 | 2101447 | 2101447 |
| | HANDLE ASSEMBLY - GRAY | 1 | 2305426 | 2305426 | 2305426 |
| 12.1 | SCREW - HANDLE FRONT | 1 | 2001355 | 2001355 | 2001355 |
| 12.2 | SCREW - HANDLE FRONT | 1 | 2001077 | 2001077 | 2001077 |
| 12.3 | NUT - HANDLE REAR | 1 | 2000384 | 2000384 | 2000384 |
| 13 | MOTOR SUPPORT | 1 | 2304823 | 2304823 | 2304823 |
| 13.1 | MOTOR - MOUNTING BOLT | 2 | 2001332 | 2001332 | 2001332 |
| 13.2 | SLEEVE | 1 | 2304949 | 2304949 | 2304949 |
| 14 | MOTOR ASSEMBLY | 1 | 2305909 | 2305447 | 2304547 |
| 14.1 | MOTOR - FAN | 1 | 2304821 | 2304821 | 2304821 |
| 15 | FAN GUARD - BLACK | 1 | 2304828 | 2304828 | 2304828 |
| | FAN GUARD - GRAY | 1 | 2305411 | 2305411 | 2305411 |
| 16 | MOTOR BRACKET | 1 | 2304937 | 2304937 | 2304937 |
| 17 | VALVE - GAS | 1 | GS22-FA40 | GS22A-FA60 | GS22A-FA60 |
| 18 | PRESSURE SWITCH | 1 | N/A | N/A | N/A |
| 19 | VALVE BRACKET | 1 | 2304624 | 2304624 | 2304624 |
| 20 | BASE ASSEMBLY - BLACK | 1 | 2304923 | 2304923 | 2304923 |
| | BASE ASSEMBLY - GREY | 1 | 2305405 | 2305405 | 2305405 |
| 21 | POWER CORD ASSEMBLY | 1 | 2201368 | 2101670 | 2101670 |
| 22 | GAS CONNECTOR INLET | 1 | 2304831 | 2304831 | 2304831 |
| 23 | CAPACITOR | 1 | 2201372 | 2201372 | 2201372 |
| 24 | BASE LOWER - BLACK | 1 | 2304925 | 2304925 | 2304925 |
| | BASE LOWER - GREY | 1 | 2305407 | 2305407 | 2305407 |
| 25 | KNOB GAS VALVE - BLACK | 1 | 2101451 | 2101451 | 2101451 |
| | KNOB GAS VALVE - ORANGE | 1 | 2305466 | 2305466 | 2305466 |
| 26 | HEIGHT CONTROLLER - BLACK | 1 | 2304927 | 2304927 | 2304927 |
| | HEIGHT CONTROLLER - GREY | 1 | 2305409 | 2305409 | 2305409 |
| 27 | HEIGHT CONTROL SCREW - BLACK | 1 | 2304510 | 2304510 | 2304510 |
| | HEIGHT CONTROL SCREW - ORANGE | 1 | 2305467 | 2305467 | 2305467 |
| 28 | LEAD WIRE ASSEMBLY | 1 | 2201371 | 2201371 | 2201371 |
| 29 | SPARK MODULE | 1 | N/A | 2201391 | 2201391 |
| 30 | PCB ASSEMBLY | 1 | 2201369 | 2201369 | 2201369 |
| 31 | REG & HOSE ASSEMBLY - 10FT (3M) | 1 | KR10602-10-31 | KR10602-10-31 | KR10602-10-31 |
| | REG & HOSE ASSEMBLY - 10FT (3M) w/HANDWHEEL | 1 | KR10602-HW10-31 | KR10602-HW10-31 | KR10602-HW10-31 |
| | REG & HOSE ASSEMBLY (QCC) - 10FT (3M) | 1 | TYQ-9C-3000 | TYQ-10C-3000 | TYQ-10C-3000 |
| | REG & HOSE ASSEMBLY -15FT (4.6M) | 1 | KR10602-15-31 | KR10602-15-31 | KR10602-15-31 |
| | REG & HOSE ASSEMBLY -15FT (4.6M) w/HAND WHEEL | 1 | KR10602-HW15-31 | KR10602-HW15-31 | KR10602-HW15-31 |
| | REG & HOSE ASSEMBLY (QCC) - 15FT (4.6M) | 1 | TYQ-9C-4572 | TYQ-10C-4572 | TYQ-10C-4572 |

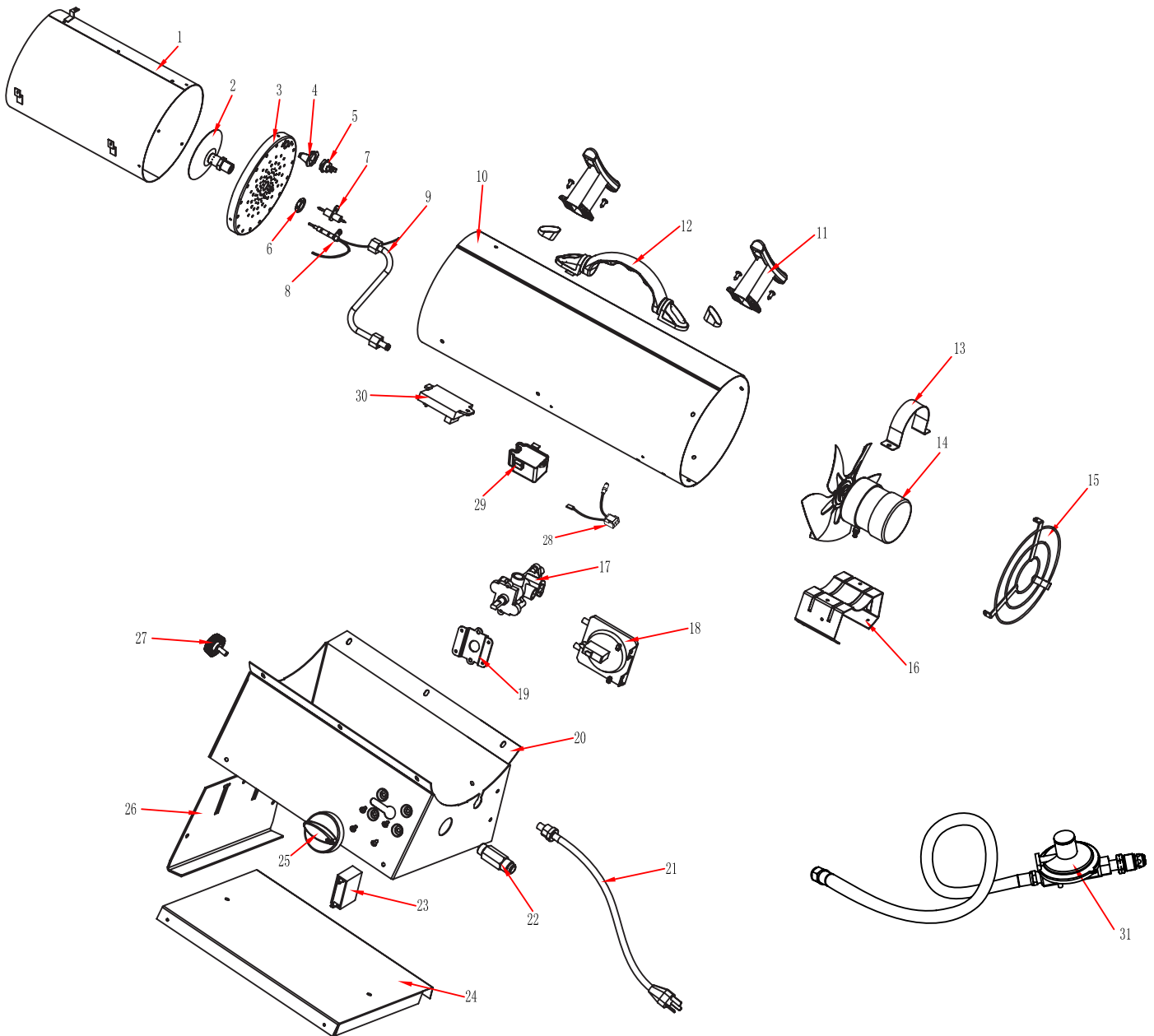
* VERSION NOT SHOWN IN EXPLODED VIEW

**NEVER LEAVE THE HEATER
UNATTENDED WHILE BURNING!**

PROPANE CONSTRUCTION HEATER

PROPANE CONSTRUCTION HEATER ILLUSTRATED / PARTS BREAKDOWN

MODELS:
RFG100V
RFG125V
RFG150V



**NEVER LEAVE THE HEATER
UNATTENDED WHILE BURNING!**

PROPANE CONSTRUCTION HEATER

REPLACEMENT PARTS LIST

| ITEM No. | DESCRIPTION | QTY | PART NUMBER | | |
|----------|-----------------------------------------------|-----|---------------|---------------|---------------|
| | | | RFG00V | RFG25V | RFG150V |
| 1 | INNER SHELL ASSEMBLY | 1 | 2304929 | 2304929 | 2304929 |
| 2 | NOZZLE | 1 | *2304943 | 5030077 | 2304944 |
| 3 | FLAME CAP | 1 | 2304930 | 2325122 | 2304931 |
| 4 | THERMAL SWITCH BRACKET | 1 | 2304826 | 2315515 | 2001355 |
| 5 | THERMAL SWITCH | 1 | 2201373 | 2201373 | 2201373 |
| 6 | NOZZLE NUT | 1 | 2304578 | 2304945 | 2304945 |
| 7 | SPARK PLUG ASSEMBLY | 1 | 2201392 | 2206034 | 2201393 |
| 8 | THERMOCOUPLE ASSEMBLY (1130/1474-425L) | 1 | 2304885 | 2304885 | 2304885 |
| 9 | GAS TUBING ASSEMBLY | 1 | 2304946 | 2325138 | 2304947 |
| 10 | OUTER SHELL | 1 | 2915957 | 2304922 | 2315957 |
| 11 | CORD WRAP (select models only) | 2 | 2101423 | 2101423 | 2101423 |
| 12 | HANDLE ASSEMBLY - BLACK | 1 | 2101447 | 2101447 | 2101447 |
| | HANDLE ASSEMBLY - GRAY | 1 | 2305426 | 2305426 | 2305426 |
| 12.1 | SCREW - HANDLE FRONT | 1 | 2001355 | 2001355 | 2001355 |
| 12.2 | SCREW - HANDLE FRONT | 1 | 2001077 | 2001077 | 2001077 |
| 12.3 | NUT - HANDLE REAR | 1 | 2000384 | 2000384 | 2000384 |
| 13 | MOTOR SUPPORT | 1 | 2304823 | 2304823 | 2304823 |
| 13.1 | MOTOR - MOUNTING BOLT | 2 | 2001332 | 2001332 | 2001332 |
| 13.2 | SLEEVE | 1 | 2304949 | 2304949 | 2304949 |
| 14 | MOTOR ASSEMBLY | 1 | 2304548 | 2304548 | 2304548 |
| 14.1 | MOTOR - FAN | 1 | 2304936 | 2304936 | 2304936 |
| 15 | FAN GUARD - BLACK | 1 | 2304939 | 2304939 | 2304939 |
| | FAN GUARD - GRAY | 1 | 2305412 | 2305412 | 2305412 |
| 16 | MOTOR BRACKET | 1 | 2304938 | 2304938 | 2304938 |
| 17 | VALVE - GAS | 1 | GS22A-FA125 | GS22A-FA125 | GS22A-FA150 |
| 18 | PRESSURE SWITCH | 1 | 2305976 | 2305976 | 2305976 |
| 19 | VALVE BRACKET | 1 | 2304624 | 2304624 | 2304624 |
| 20 | BASE ASSEMBLY - BLACK | 1 | 2304924 | 2304924 | 2304924 |
| | BASE ASSEMBLY - GREY | 1 | N/A | 2403354 | N/A |
| 21 | POWER CORD ASSEMBLY | 1 | 2101673 | 2101673 | 2101673 |
| 22 | GAS CONNECTOR INLET | 1 | 2304831 | 2304831 | 2304831 |
| 23 | CAPACITOR | 1 | 2301390 | 2301390 | 2301390 |
| 24 | BASE LOWER - BLACK | 1 | 2304926 | 2304926 | 2304926 |
| | BASE LOWER - GREY | 1 | N/A | 2403355 | N/A |
| 25 | KNOB GAS VALVE - BLACK | 1 | 2101451 | 2101451 | 2101451 |
| | KNOB GAS VALVE - ORANGE | 1 | N/A | 2305466 | N/A |
| 26 | HEIGHT CONTROLLER - BLACK | 1 | 2304928 | 2304928 | 2304928 |
| | HEIGHT CONTROLLER - GREY | 1 | N/A | 2403356 | N/A |
| 27 | HEIGHT CONTROL SCREW - BLACK | 1 | 2304510 | 2304510 | 2304510 |
| | HEIGHT CONTROL SCREW - ORANGE | 1 | N/A | 2305467 | N/A |
| 28 | LEAD WIRE ASSEMBLY | 1 | 2201371 | 2201371 | 2201371 |
| 29 | SPARK MODULE | 1 | 2201391 | 2201391 | 2201391 |
| 30 | PCB ASSEMBLY | 1 | 2201369 | 2201369 | 2201369 |
| 31 | REG & HOSE ASSEMBLY - 10FT (3M) | 1 | GR109-10-38 | GR109-10-38 | GR109-10-38 |
| | REG & HOSE ASSEMBLY - 10FT (3M) w/HANDWHEEL | 1 | GR109-HW10-38 | GR109-HW10-38 | GR109-HW10-38 |
| | REG & HOSE ASSEMBLY(QCC) - 10FT (3M) | 1 | TYQ-6D1-3000 | TYQ-6D1-3000 | TYQ-6D1-3000 |
| | REG & HOSE ASSEMBLY -15FT (4.6M) | 1 | GR109-15-38 | GR109-15-38 | GR109-15-38 |
| | REG & HOSE ASSEMBLY -15FT (4.6M) w/HAND WHEEL | 1 | GR109-HW15-38 | GR109-HW15-38 | GR109-HW15-38 |
| | REG & HOSE ASSEMBLY(QCC) -15FT (4.6M) | 1 | TYQ-6D1-4572 | TYQ-6D1-4572 | TYQ-6E1-4572 |

* VERSION NOT SHOWN IN EXPLODED VIEW

**NEVER LEAVE THE HEATER
UNATTENDED WHILE BURNING!**

LIMITED WARRANTY:

World Marketing of America, Inc. warrants that this Reddy Heater to be free from defects in material and workmanship for a period of two (2) years. This warranty is limited to the original purchaser (NON-TRANSFERRABLE) and requires proof of purchase such as an invoice, cancelled check, sales receipt, etc. This warranty is limited to defects in material and workmanship and does not cover normal maintenance required to maintain proper operation of the heater, specifically not covered under this warranty is the replacement of rotors, filters, fuses, and ignitors.

This warranty does not apply to products purchased for rental use.

DUTIES OF THE OWNER:

This heating appliance must be operated in accordance with the written instructions furnished with this heater. This warranty shall not excuse the owner from properly maintaining this heater in accordance with the written instructions furnished with this heater. A bill of sale canceled check or payment record must be kept to verify purchase date and establish warranty period. Original carton should be kept in case of warranty return of unit.

WHAT IS NOT COVERED:

1. Damage resulting from the use of improper fuel.
2. Damage caused by misuse or use contrary to the owner's manual and safety guidelines.
3. Damage caused by a lack of normal maintenance.
4. Fuses
5. Use of non-standard parts or accessories.
6. Damage caused in transit. Freight charges on warranty parts or heaters to and from the factory shall be the responsibility of the owner.

In the event of a defect, this Limited Warranty shall be limited to the repair or replacement of parts, which prove defective under normal use and service within the limited warranty period. World Marketing of America, Inc. disclaims all other warranties for products that are purchased from sellers other than authorized retailers or distributors. World Marketing of America, Inc. (and its affiliated companies) SHALL HAVE NO LIABILITY WHATSOEVER TO THE PURCHASER OR ANY OTHER THIRD PARTY FOR ANY SPECIAL, INDIRECT, PUNITIVE, INCIDENTAL, OR CONSEQUENTIAL DAMAGES. This product must be properly maintained and operated in accordance with the instructions provided herein. This Limited Warranty does not cover any operational failures or difficulties due to normal use and wear and tear, accident, abuse, misuse, alteration, misapplication, improper installation or improper maintenance or service by you or any third party. Failure to perform normal and routine maintenance on the product, and damage due to environmental factors are not covered under this Limited Warranty. World Marketing of America, Inc. assumes no responsibility for any defects caused by third parties.

WORLD MARKETING OF AMERICA, INC. MAKES NO REPRESENTATIONS OR WARRANTIES WHATSOEVER, EXPRESS OR IMPLIED, WITH RESPECT TO THIS HEATING APPLIANCE, OTHER THAN (I) THE LIMITED WARRANTY ABOVE, AND (II) ANY IMPLIED WARRANTIES IMPOSED BY APPLICABLE LAW WHICH CANNOT BE WAIVED OR DISCLAIMED UNDER APPLICABLE LAW. THE LIMITED WARRANTY SET FORTH HEREIN IS THE SOLE WARRANTY PROVIDED TO PURCHASER AND IS IN LIEU OF ALL OTHER WARRANTIES AND REPRESENTATIONS, EXPRESS OR IMPLIED.

This Limited Warranty gives the purchaser specific legal rights; a purchaser may have other rights depending upon where he or she resides. Some states do not allow the exclusion or limitation of special, incidental or consequential damages, or state law may affect the duration of limitations, so the above exclusion and limitations may not be applicable.




RADIATEUR DE CONSTRUCTION AU GAZ PROPANE

MANUEL DE L'USAGER ET INSTRUCTIONS D'OPÉRATION

| | | | |
|-----------|---------|--------------------------|---------------|
| NUMÉRO DE | RFG40V | (40,000 BTU/HR, | FORCED - AIR) |
| MODÈLE : | RFG50V | (30,000/50,000 BTU/HR, | FORCED - AIR) |
| | RFG60V | (30,000/60,000 BTU/HR, | FORCED - AIR) |
| | RFG100V | (70,000/100,000 BTU/HR, | FORCED - AIR) |
| | RFG125V | (70,000/125,000 BTU/HR, | FORCED - AIR) |
| | RFG150V | (120,000/150,000 BTU/HR, | FORCED - AIR) |



ANS Z83.7-2017 CSA 2.14-2017

 Une ventilation adéquate est nécessaire.

MISES EN GARDE GÉNÉRALES

FLE NON-RESPECT DES MISES EN GARDE ET DES INSTRUCTIONS FOURNIES AVEC CE RADIATEUR PEUT ENTRAÎNER LA MORT, DE GRAVES BLESSURES ET DES PERTES MATÉRIELLES OU DES DOMMAGES À LA PROPRIÉTÉ RÉSULTANT D'UN INCENDIE, D'UNE EXPLOSION, DE BRÛLURES, D'ASPHYXIE, D'EMPOISONNEMENT AU MONOXYDE DE CARBONE ET/OU D'UN CHOC ÉLECTRIQUE.

SEULES LES PERSONNES APTES À COMPRENDRE ET À SUIVRE LES INSTRUCTIONS DEVRAIENT SE SERVIR DE CE RADIATEUR OU LE RÉPARER.

SI VOUS AVEZ BESOIN D'AIDE OU D'INFORMATIONS CONCERNANT CE RADIATEUR, SOIT UNE NOTICE D'INSTRUCTIONS, UNE ÉTIQUETTE, ETC., PRIÈRE DE COMMUNIQUER AVEC LE FABRICANT.

REMARQUE À L'INTENTION DU CLIENT :

Veillez conserver ce manuel pour vous y référer ultérieurement.

Fabriqué par
World Marketing of America, Inc.
PO Box 192, 12256 William Penn Hwy.
Mill Creek PA 17060-0192
(Tel) 1-800-776-9425
www.worldmktng.com

RADIATEUR DE CONSTRUCTION AU GAZ PROPANE

TABLE DES MATIÈRES

| | |
|------------------------------------------------------------------------------------------|---------|
| Introduction et caractéristiques | 3 |
| • Instructions de sûreté générales | 4 |
| • Caractéristiques du produit | 4 |
| • Déballage du radiateur | 5 |
| • Format et capacité des bouteilles de gaz propane | 6 |
| • Installation à la bouteille de gaz propane | 7 |
| • Remplissage de la bouteille de gaz propane | 7 |
| • Vérification de fuites et emplacement du radiateur | 8 |
| • Instructions d'allumage et d'arrêt | 8 - 9 |
| • Vérification de l'allumage du radiateur et rangement | 9 |
| • Dépannage | 10 |
| • Diagrammes des câbles | 11 - 12 |
| • Liste des pièces de rechange | 14, 16 |
| DÉTAIL ILLUSTRÉ DES PIÈCES D'UN APPAREIL DE CHAUFFAGE À GAZ PROPANE POUR LA CONSTRUCTION | |
| RFG40V / RFG50V / RFG60V | 13 |
| RFG100V / RFG125C / RFG50V | 15 |
| • Garantie | 17 |



AVERTISSEMENT: RISQUE D'INCENDIE, DE BRÛLURES, D'INHALATION ET D'EXPLOSION. GARDER LES COMBUSTIBLES SOLIDES, TELS LES MATÉRIAUX DE CONSTRUCTION, LE PAPIER ET LE CARTON, À BONNE DISTANCE DE CE RADIATEUR, COMME IL EST RECOMMANDÉ DANS LES INSTRUCTIONS.

NE JAMAIS UTILISER CET APPAREIL DANS DES ENDROITS QUI CONTIENNENT OU POURRAIENT CONTENIR DES COMBUSTIBLES VOLATILES OU EN SUSPENSION DANS L'AIR TELS L'ESSENCE, LES SOLVANTS, LES DILUANTS POUR PEINTURE, LES PARTICULES DE POUSSIÈRES OU DES PRODUITS CHIMIQUES INCONNUS.



AVERTISSEMENT POUR LES RÉSIDENTS DE LA CALIFORNIE UNIQUEMENT :

ce produit et les carburants utilisés pour faire fonctionner ce produit (propane liquide ou gaz naturel), et les produits de combustion de tels carburants peuvent vous exposer aux produits chimiques dont le benzène qui est reconnu dans l'état de la Californie pour causer le cancer et des anomalies de reproduction. Pour de plus amples renseignements, allez à : www.P65Warnings.ca.gov



AVERTISSEMENT: Si ce radiateur est utilisé dans un garage résidentiel, il doit être placé de façon à être protégé contre les dommages pouvant être causés par un véhicule en mouvement, etc. La base du radiateur doit être située à au moins 45,72 cm (18 po) du plancher du garage (ou à 2,44 m [8 pi] dans le cas d'un garage de réparation). Le radiateur doit être placé sur une surface stable. Ne le placez pas sur une chaise, une échelle, etc. En soulevant le radiateur, vous réduirez (mais vous n'éliminerez PAS) les risques d'inflammation des vapeurs de tout liquid inflammable pouvant être rangé de façon inadéquate ou accidentellement déversé. Si vous détectez une odeur de gazoline, n'utilisez PAS ce radiateur tant que la zone n'a pas été ventilée adéquatement.



AVERTISSEMENT!: CHAUFFE-CONSTRUCTION NE SONT PAS UTILISÉS DANS LES GARAGES AU CANADA.



AVERTISSEMENT!: NE PAS UTILISER DANS UNE MAISON OU UN VÉHICULE DE CAMPING.

NE LAISSEZ JAMAIS L'APPAREIL DE
CHAUFFAGE ALLUMÉ SANS SURVEILLANCE!

RADIATEUR DE CONSTRUCTION AU GAZ PROPANE

RADIATEUR DE CONSTRUCTION AU GAZ PROPANE À AIR FORCÉ DURAHEAT

L'appareil de chauffage est conçu et approuvé pour être utilisé comme radiateur de construction en vertu de la norme ANS Z83.7 CSA 2.14.


Il est difficile de prévoir toutes les utilisations qui peuvent être faites de ce radiateur. **VEUILLEZ CONSULTER LES AUTORITÉS LOCALES EN MATIÈRE DE SÉCURITÉ INCENDIE SI VOUS AVEZ DES QUESTIONS AU SUJET DES APPLICATIONS POSSIBLES.**

D'autres normes régissent l'utilisation de gaz de combustion et de produits de chauffage utilisés pour des applications particulières. Veuillez consulter les autorités locales à ce sujet.

IMPORTANT: VEUILLEZ LIRE ATTENTIVEMENT ET ENTIÈREMENT CE MANUEL DE L'UTILISATEUR AVANT DE VOUS SERVIR DU RADIATEUR OU DE LE FAIRE FONCTIONNER. UN USAGE ABUSIF DE CE RADIATEUR PEUT CAUSER UN INCENDIE, UNE EXPLOSION OU UN EMPOISONNEMENT AU MONOXYDE DE CARBONE POUVANT ENTRAÎNER DES BLESSURES GRAVES OU LA MORT.

Cet appareil est un radiateur de construction à air forcé par action directe du feu pour utilisation à l'intérieur ou à l'extérieur. Il est conçu principalement pour le chauffage temporaire de bâtiments en construction ou en réparation. Tous les produits de combustion générés par le radiateur pénètrent dans l'appareil de chauffage et sont relâchés dans la zone chauffée. Bien que cet appareil de chauffage fonctionne avec une efficacité de combustion minimale d'environ 98 %, il produit quand même une petite quantité de monoxyde de carbone. Les humains peuvent tolérer de petites quantités de monoxyde de carbone pendant de courtes périodes. Le monoxyde de carbone peut s'accumuler dans un espace chauffé et une ventilation inadéquate peut entraîner un empoisonnement ou la mort.

 **AVERTISSEMENT: Ne pas utiliser avec un réseau de gaines.**

 **AVERTISSEMENT**
Risque lié à la qualité de l'air

- Ne pas utiliser ce radiateur pour le chauffage résidentiel.
à des niveaux de monoxyde de carbone (CO), de dioxyde de carbone (CO₂) et de dioxyde d'azote (NO₂) considérés comme dangereux pour la santé et potentiellement mortels.
- Ne pas utiliser dans les endroits sans ventilation.
- Il est important de reconnaître les symptômes d'une intoxication au CO et au CO₂ :
 - Maux de tête, picotement des yeux;
 - Étourdissement, désorientation;
 - Difficulté à respirer, sensation d'étouffement.
- Un système de ventilation et d'échangeur d'air adéquat (OSHA 29 CFR 1926.57) pouvant supporter la combustion et permettant de maintenir une qualité de l'air acceptable doit être fourni conformément aux normes OSHA 29 CFR 1926.154 et ANSI A10.10, Safety Requirements for Temporary and Portable Space Heating Devices and Equipment used in the Construction Industry, et au Code d'installation du gaz naturel et du propane (CSA B149.1).
 - Mesurer périodiquement les niveaux de CO, de CO₂ et de NO₂ dans la zone de construction (minimalement au début du quart de travail et après 4 heures).
 - Fournir un système de ventilation et d'échangeur d'air (naturel ou mécanique) adéquat afin de maintenir une qualité de l'air intérieur acceptable."

**NE LAISSEZ JAMAIS L'APPAREIL DE
CHAUFFAGE ALLUMÉ SANS SURVEILLANCE!**

États-Unis – Concentration maximale admissible pour une exposition de 8 heures (OSHA 29 CFR 1926.55 App A)

Canada – Concentration maximale admissible pour une exposition de 8 heures (lignes directrices en matière de santé et de sécurité au travail de WorkSafeBC, partie 5.1, et règlement 833 de l'Ontario)

CO 50 ppm

25 ppm

CO2 5000 ppm

5000 ppm

NO2

3 ppm (règl. 833)

États-Unis – Valeur maximale (limite d'exposition à court terme [LECT] = 15 minutes)

Canada – LECT = 15 minutes (règl. 833)/1 heure (WorkSafeBC) Lignes directrices en matière de santé et de sécurité au travail de WorkSafeBC, partie 5.1, et règlement 833 de l'Ontario

CO

100 ppm

CO2

15 000 ppm (WorksafeBC)
30 000 ppm (règl. 833)

NO2 5 ppm

1,0 ppm (WorkSafeBC)
5,0 ppm (règl. 833)

- Vérifier que la sortie de gaz et l'entrée d'air sont exemptes d'obstructions.
- À mesure que l'étanchéité du bâtiment augmente au cours des phases de construction, il est possible que la ventilation doive être augmentée.

CARACTÉRISTIQUES

| Débit calorifique | | 40,000 BTU/hr | 30,000 BTU/hr 50,000 BTU/hr | 30,000 BTU/hr 60,000 BTU/hr | 70,000 BTU/hr 100,000 BTU/hr | 70,000 BTU/hr 125,000 BTU/hr | 70,000 BTU/hr 125,000 BTU/hr | 120,000 BTU/hr 150,000 BTU/hr |
|------------------------------------------------------|--------------------|----------------------------------------|----------------------------------------------|----------------------------------------------|---------------------------------------------|---------------------------------------------|---------------------------------------------|----------------------------------------------|
| Type de gaz | | Propane | Propane | Propane | Propane | Propane | Propane | Propane |
| Pression d'alimentation en gaz au régulateur maximum | | Pression de cylindre | Pression de cylindre | Pression de cylindre | Pression de cylindre | Pression de cylindre | Cylinder Pressure | Pression de cylindre |
| Minimum (dans le but d'ajuster l'entrée) | | 5psig | 5psig | 5psig | 5psig | 5psig | 5psig | 5psig |
| Pression d'admission | | 11 po W.C | 11 po W.C | 11 po W.C | 11 po W.C | 11 po W.C | 11" W.C | 11 po W.C |
| Consommation de gaz | | 0,86 kg/hr 1,9lbs/hr | 0,63 kg/hr 1,4lbs/hr 1,04 kg/hr 2,3lbs/hr | 0,63 kg/hr 1,4lbs/hr 1,27 kg/hr 2,8lbs/hr | 1,5 kg/hr 3,3lbs/hr 2,09 kg/hr 4,6lbs/hr | 1,5 kg/hr 3,3lbs/hr 2,63 kg/hr 5,8lbs/hr | 1,5 kg/hr 3,3lbs/hr 2,63 kg/hr 5,8lbs/hr | 2,54 kg/hr 5,6lbs/hr 3,18 kg/hr 7,0lbs/hr |
| Puissance absorbée | | 120V, 60Hz, 1Ø | 120V, 60Hz, 1Ø | 120V, 60Hz, 1Ø | 120V, 60Hz, 1Ø | 120V, 60Hz, 1Ø | 120V, 60Hz, 1Ø | 120V, 60Hz, 1Ø |
| Ampérage | Charge | 0,68amps | 0,65amps | 0,65amps | 0,7amps | 0,7amps | 0,7amps | 0,7amps |
| Ventilateur | Décharge Charge | 3550rpm 3000rpm | 3570rpm 3300rpm | 3570rpm 3300rpm | 3580rpm 3300rpm | 3580rpm 3300rpm | 3580rpm 3300rpm | 3580rpm 3300rpm |
| Allumage | | Étincelle Piézoélectrique/ manuelle | Étincelle Continue | Étincelle Continue | Étincelle Continue | Étincelle Continue | Continuous Spark | Étincelle Continue |
| Éclateur | | 0,16 po (4mm) | 0,16 po (4mm) | 0,16 po (4mm) | 0,16 po (4mm) | 0,16 po (4mm) | 0,16 po (4mm) | 0,11 po (2.8 mm) |
| | | | | | | | | |

RADIATEUR DE CONSTRUCTION AU GAZ PROPANE

CONSIGNES DE SÉCURITÉ GÉNÉRALES

Les accidents sont toujours tragiques, surtout parce que bon nombre d'entre eux pourraient être évités avec un peu d'attention et de jugement. Il existe quelques bonnes pratiques de base que vous devez suivre pour une utilisation sécuritaire de votre radiateur.

CONSIGNES DE SÉCURITÉ IMPORTANTES

- Surveillez attentivement les enfants lorsqu'ils se trouvent dans la zone chauffée.
- Maintenez toujours un dégagement adéquat entre l'appareil de chauffage et des matériaux combustibles. Distance minimale des sources de combustible : côté – 61 cm (24 po); haut – 121.9 cm (45 po); devant – 183 cm (72 po). Ne doit pas être installé sur un plancher inflammable.
- Le radiateur doit être placé sur une surface stable et de niveau.
- Ne placez jamais quoi que ce soit, y compris des vêtements ou d'autres objets inflammables, sur l'appareil de chauffage.
- Assurez-vous que l'espace autour de l'appareil est propre et ne contient pas de matériaux combustibles, d'essence, de diluant à peinture et d'autres vapeurs ou liquides inflammables
- Ne modifiez pas le radiateur et ne faites pas fonctionner un radiateur qui a été modifié
- Lorsque l'appareil fonctionne, maintenez en tout temps un dégagement suffisant pour permettre l'accès à l'appareil et l'alimentation en air pour la combustion et la ventilation.
- L'entretien et les réparations doivent être effectués par une personne qualifiée. Le radiateur devrait être inspecté avant chaque utilisation et au moins une fois par année par une personne qualifiée. Un nettoyage plus fréquent peut être nécessaire. Ne réparez pas le radiateur pendant qu'il est chaud ou en marche.
- Ne branchez jamais un radiateur à une source d'alimentation en gaz non réglementée.
- Le radiateur est expédié de l'usine pour une utilisation au gaz de pétrole liquéfié (propane). Ce radiateur ne doit être utilisé qu'avec du gaz propane; ne pas convertir le radiateur à tout autre gaz. L'installation doit être conforme aux codes locaux. En l'absence de codes locaux, elle doit être conforme à la Norme pour l'entreposage et la manipulation des gaz de pétrole liquéfié ANSI/NFPA 58 et au Code d'installation du gaz naturel CSA B149.1.
- La pression minimale et la pression maximale d'admission vers le régulateur depuis le réservoir de gaz équivalent respectivement à 5 lb/po² et à la pression du réservoir. Utilisez uniquement l'ensemble régulateur et tuyau fourni avec le radiateur. Inspectez l'ensemble régulateur et tuyau fourni chaque utilisation du radiateur. En cas d'usure ou d'abrasion excessive, ou si le tuyau est coupé, remplacez l'ensemble régulateur et tuyau par un ensemble figurant sur la liste des pièces avant d'utiliser ce radiateur .
- Les connexions d'alimentation en gaz doivent être vérifiées à l'aide d'une solution 50/50 de détergent vaisselle liquide; n'utilisez jamais une flamme pour vérifier les fuites de gaz
- La connexion électrique et la mise à la terre doivent être conformes au Code national de l'électricité, à la norme ANSI/NFPA 70 ou, au Canada, à la norme CSA C22.1 du Code canadien de l'électricité, partie 1. Utilisez uniquement une prise à trois (3) broches convenablement mise à la terre
- Ne restreignez pas l'entrée ou la sortie d'air par quelque moyen que ce soit. Le flux d'air de combustion et de ventilation ne doit pas être entravé.
- Cet appareil ne doit pas être dirigé vers un récipient de propane-gaz à distance de 20 pieds (6m.). Le chauffe-eau doit être situé au moins à 6 pi (1,83 m) aux États-Unis, ou (ii) 10 pi (3 m) au Canada, à partir d'un réservoir de gaz propane.
- Le système d'alimentation de la bouteille de propane doit être organisé pour permettre un retrait de vapeur de la bouteille en fonctionnement.
- Cet appareil de chauffage ne doit pas être utilisé avec les thermostats, minuteries externes ou d'autres dispositifs de commande qui peuvent modifier l'alimentation électrique du chauffe-eau.
- L'installation de ce produit à une altitude dépassant 610 m (2000 pi) doit être conforme aux codes locaux ou, en l'absence de tels codes, à la norme ANSI Z223.1/NFPA 54, National Fuel Gas Code; ou à la norme nationale du Canada CAN B149.1, Code d'installation du gaz naturel et du propane."
- Pour utilisation intérieure ou extérieure L'appareil doit être utilisé avec une entrée d'air adéquate conforme aux normes OSHA 29 CFR 1926.154; ANSI A10.10, Safety Requirements for Temporary and Portable Space Heating Devices and Equipment; ANSI 223.1/NFPA 54; NFPA 58, Liquefied Petroleum Gas Code; ou CAN B149.1, Code d'installation du gaz naturel et du propane, selon le cas

⚠ AVERTISSEMENT: Le moteur et le ventilateur doivent être en marche avant l'allumage, pendant le fonctionnement de l'appareil et à l'arrêt, afin de prévenir une extinction accidentelle qui pourrait causer des blessures ou entraîner des dommages matériels.

PRODUCT FEATURES

- Portable, stable et entièrement assemblé
- Résistant au vent et protégé contre la pluie
- L'allumage par étincelle continu ou l'allumage
- Système d'arrêt de sécurité sûr à 100 %
- Débit calorifique continu réglable (Sau FA40)

NE LAISSEZ JAMAIS L'APPAREIL DE CHAUFFAGE ALLUMÉ SANS SURVEILLANCE!

RADIATEUR DE CONSTRUCTION AU GAZ PROPANE

DÉBALLAGE

1. Retirez l'appareil de chauffage de la boîte.
2. Retirez tout emballage de protection appliqué au radiateur pour l'expédition.
3. Conservez les cartons et matériaux d'emballage jusqu'à ce que l'appareil soit mis en marche et que son bon état de fonctionnement soit constaté.
4. Vérifiez que le radiateur n'a pas été endommagé durant le transport. Si le radiateur présente de dommages externes ou internes, informez-en immédiatement le détaillant ou le distributeur où vous l'avez acheté.

Composants d'assemblage et des instructions pour les unités d'acier selon:

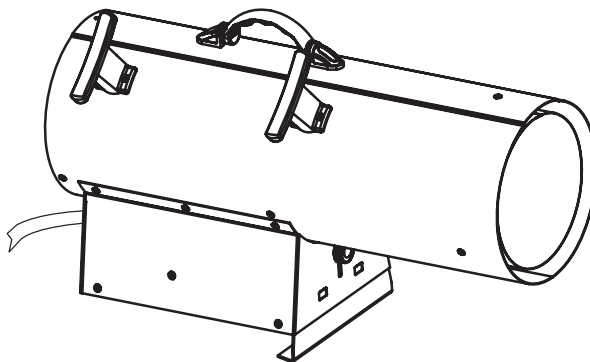
| | | |
|---------------------------------------------|--------------------------------------------------|-----------------------------|
| Outils nécessaires Pour L'assemblée: | Contenu: | Temps d'assemblage : |
| Tous les Modèles: Clé à Molette | Tous les Modèles: Unité, Manuel, Ensemble | 5 Minutes |
| RFG100 - RFG150 Series: | Régulateur et Tuyau | |
| Tournevis Cruciforme | RFG100 - RFG150 Series Comprennent: | |
| | 2 Rembobineurs de Cordon, 4 Vis (ST3,5x10) | |

1. Assemblage de la Rembobineurs de Cordon:(RFG100 - RFG50 Series)

Pièces Obligatoires:

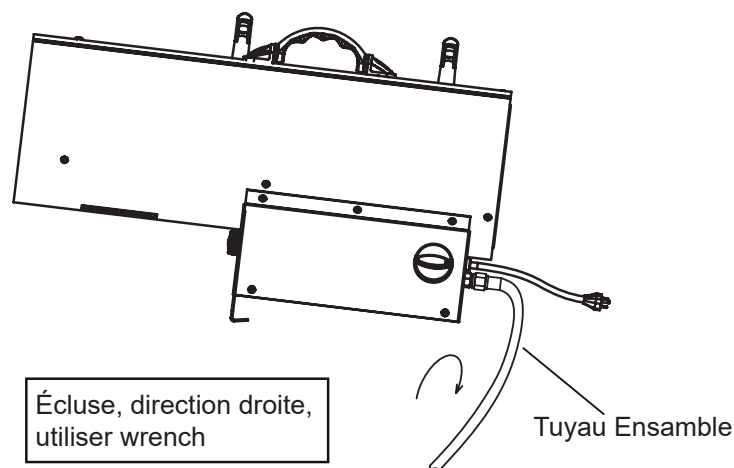
4 Vis (ST3,5x10),
et 2 Rembobineurs de Cordon

Placez le cordon d'alimentation comme le montre l'attachement de synthèse ci-dessous, puis l'utilisation de tournevis Phillips pour resserrer les vis et fixer le cordon envelopper les pièces jointes.



2. Réglementation et de Tuyaux de Raccordement: (Tous les Modèles)

Voir la figure ci-dessous. Connecter le tuyau solidement à l'appareil de chauffage utilisant une clé à molette. S'il vous plaît se référer également à la page 5 dans le manuel.



**NE LAISSEZ JAMAIS L'APPAREIL DE
CHAUFFAGE ALLUMÉ SANS SURVEILLANCE!**

RADIATEUR DE CONSTRUCTION AU GAZ PROPANE

INFORMATION SUR LA TAILLE * CAPACITÉ DES BONBONNES DE GAZ PROPANE

Le tableau ci-dessous indique le nombre et le format des bouteilles de gaz propane nécessaires pour faire fonctionner ce radiateur. *À des températures inférieures, une quantité moindre de gaz est dégagée. Par temps froid, vous pourriez avoir besoin de deux bouteilles (ou plus) de 45 kilos (100 livres) ou d'une plus grosse bouteille. (Voir la liste des pièces de votre modèle de radiateur pour obtenir l'ensemble régulateur spécifié.)

| Température (°C – °F) de la bouteille. | Nombre de bouteilles | | |
|----------------------------------------------|----------------------|-------------------------------------|-------------------------------------|
| | 40,000-60,000 BTU/h | 100,000 - 125,000 BTU/h | 150,000 BTU/h |
| Par-dessus 0 °C (32 °F) | 1 - 9 kg (20 lb) | 2 - 45 kg (100lb) | 2 - 45 kg (100 lb) |
| 0 °C (32 °F) | 1 - 9 kg (20 lb) | 2 - 45 kg (100lb) | 2 - 45 kg (100 lb) |
| -7 °C (20 °F) | 1 - 9 kg (20 lb) | 3 - 45 kg (100lb) | 3 - 45 kg (100lb) |
| -12 °C (10 °F) | 1 - 9 kg (20 lb) | 3 - 45 kg (100lb) | 3 - 45 kg (100lb) |
| -23 °C (-10 °F) | 2 - 9 kg (20 lb) | Utilisez un réservoir plus grand | Utilisez un réservoir plus grand |
| -29 °C (-20 °F) | 1 - 45 kg (100 lb) | Utilisez un réservoir plus grand | Utilisez un réservoir plus grand |

La bouteille de gaz propane (pétrole liquéfié) doit également être dotée de l'équipement suivant

- Un collier pour protéger la valve de gaz propane.
- Une soupape d'arrêt à l'extrémité de la sortie de la valve de gaz propane, tel que spécifié par l'America National Standards for Compressed Gas Cylinder Valve Inlet and Inlet Connections.
- Une soupape de sécurité ayant des communications directes avec l'espace de vapeur de la bouteille.
- Un dispositif de retrait de vapeur.

Le régulateur de pression du gaz propane (pétrole liquéfié) et l'ensemble tuyau fournis avec ce radiateur doivent être utilisés sans modification.

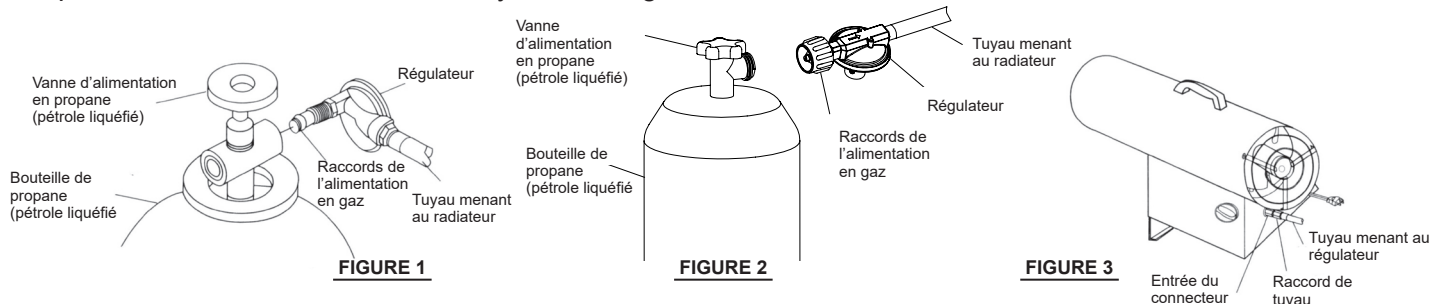
L'ensemble tuyau doit être inspecté visuellement avant chaque utilisation du radiateur. Si vous constatez de l'usure ou de l'abrasion excessive, ou si le tuyau est coupé, vous devez remplacer l'ensemble tuyau avant d'utiliser le radiateur. L'ensemble tuyau de remplacement doit être celui qui est spécifié par le fabricant

NE LAISSEZ JAMAIS L'APPAREIL DE
CHAUFFAGE ALLUMÉ SANS SURVEILLANCE!

RADIATEUR DE CONSTRUCTION AU GAZ PROPANE

INSTALLATION À LA BOUTEILLE DE GAZ PROPANE

IMPORTANT: Vous devez utiliser une bouteille de gaz propane (pétrole liquéfié) qui est compatible avec le dispositif de raccord fourni avec le tuyau et le régulateur..



1. Munissez-vous du système d'alimentation de gaz propane. Assurez-vous que la soupape de la bouteille est entièrement fermée en tournant complètement le bouton dans le sens des aiguilles d'une montre (↻). Assurez-vous que la bouteille est en position verticale afin de permettre l'élimination des vapeurs (pétrole liquéfié) – (voir page 7)
2. Raccorder le tuyau à l'entrée de chauffage. Serrez fermement à l'aide d'une clef. Vous devez utiliser le régulateur fourni avec l'appareil.
3. Connectez le raccord de l'alimentation en gaz de l'ensemble régulateur et tuyau à la bouteille de propane (pétrole liquéfié)
 - 3a. Pour les unités munies d'un raccord POL (voir Figure 1) vissez les raccords dans le sens antihoraire en suivant le filetage sur la bouteille. Serrez fermement à l'aide d'une clef. Quelques modèles est doté d'un volant de manoeuvre qui peut être utilisé pour serrer le raccord. Ce volant de manoeuvre peut être glissé hors de l'écrou de manière à permettre également l'utilisation d'une clef pour resserrer le raccord.
IMPORTANT: Placez le régulateur de manière à ce que le tuyau qui part du régulateur soit en position horizontale.
 - 3b. Pour les unités munies d'un raccord QCC (voir Figure 2) vissez les QCC raccords dans le sens horaire en suivant le filetage sur la bouteille. Serrez fermement avec votre main (NE PAS UTILISER UNE CLEF).
IMPORTANT: Placez le régulateur de façon à ce que son évent soit orienté en direction du plancher et que sa flèche soit visible
4. Ouvrez lentement la vanne d'alimentation de propane (pétrole liquéfié) de la bouteille. **REMARQUE :** Si la vanne n'est pas ouverte lentement, le dispositif d'excès de débit dans le régulateur peut interrompre l'alimentation en gaz. Si cela se produit, fermez la vanne d'alimentation de propane (pétrole liquéfié) attendre une minute (ou jusqu'à ce qu'un déclic se fasse entendre) et ouvrez-la à nouveau lentement.
5. Vérifiez toutes les connexions pour vous assurer qu'il n'y a pas de fuite. Appliquez un mélange 50/50 de détergent à vaisselle liquide et d'eau sur les connexions. Si des bulles se forment, cela signifie qu'il y a une fuite que vous devez réparer.
6. Fermez la vanne d'alimentation de propane (pétrole liquéfié) avant de tenter de réparer la connexion

AVERTISSEMENT: Le nettoyage et le remplissage des bouteilles de gaz de propane (pétrole liquéfié) doivent être effectués par des personnes ayant reçu une formation sur les marches à suivre pour les gaz à pétrole liquéfiés en vigueur dans l'industrie du gaz. Le non-respect de ces instructions peut entraîner une explosion, un incendie, des blessures graves ou la mort.

REPLISSAGE DE LA BOUTEILLE DE GAZ PROPANE

REPLISSAGE DE LA BOUTEILLE DE GAZ PROPANE

- Placez la valve du robinet de gaz du radiateur et celle de la bouteille de gaz propane à la position D'ARRÊT.
- La vanne du réservoir de propane équipée de l'ancienne installation possède un FILETAGE RENVERSÉ. Tournez le raccord POL dans le SENS ANTIHORAIRE pour le desserrer. Protégez le raccord POL lorsqu'il est déconnecté du réservoir.
- Faites remplir la bouteille par un fournisseur de gaz propane local.
- Fixez en place le réservoir rempli de propane et connectez le raccord POL au raccord du réservoir en tournant dans le SENS ANTIHORAIRE.
- La valve du robinet de gaz du radiateur étant toujours en position D'ARRÊT, ouvrez la vanne de la bouteille et vérifiez s'il y a des fuites de solution savonneuse

NE LAISSEZ JAMAIS L'APPAREIL DE CHAUFFAGE ALLUMÉ SANS SURVEILLANCE!

RADIATEUR DE CONSTRUCTION AU GAZ PROPANE

SÉCURITÉ RELATIVE AU PROPANE

Le propane est sécuritaire lorsqu'il est manipulé correctement. Une manipulation négligente du réservoir de gaz propane peut entraîner un incendie et (ou) une explosion. Par conséquent :

- Gardez toujours le réservoir (la bouteille), solidement fixé en position verticale
- Évitez de pencher le réservoir sur le côté lorsqu'il est connecté à un régulateur, car cela pourrait endommager la membrane du régulateur.
- Manipulez les vannes avec soin.
- Ne branchez jamais un réservoir de gaz propane non réglementé à un radiateur de construction.
- Ne soumettez pas le réservoir de propane à une chaleur excessive.
- Refermez bien le robinet d'arrêt du gaz sur le réservoir de propane après chaque utilisation.
- Le raccord POL doit être protégé lorsqu'il est déconnecté du réservoir de gaz propane.
- Ne rangez jamais un réservoir de gaz propane à l'intérieur d'un immeuble ou à proximité de tout appareil de combustion de gaz.

LE RÉSERVOIR DÉCONNECTÉ NE DOIT JAMAIS ÊTRE ENTREPOSÉ DANS UN IMMEUBLE, UN GARAGE NI TOUT AUTRE ESPACE CLOS.

VÉRIFICATION DE FUITES

Vérifiez tous les branchements de gaz à l'aide d'une solution savonneuse pour vous assurer qu'ils sont serrés et étanches.

- L'installation de votre radiateur doit être conforme aux codes locaux et (ou) au code de l'utilisation du gaz. En l'absence de codes locaux, elle doit être conforme à la Norme pour l'entreposage et la manipulation des gaz de pétrole liquéfié ANSI/NFPA 58 et au Code d'installation du gaz naturel CSA B149.1.
- Distance minimale d'une construction combustible : En tout temps, les distances suivantes doivent être respectées : côté – 61 cm (24 po); haut – 92 cm (36 po); devant – 183 cm (72 po); Plancher - combustible
- L'ensemble tuyau doit être inspecté visuellement avant chaque utilisation du radiateur. Si vous constatez de l'usure ou de l'abrasion excessive, ou si le tuyau est coupé, vous devez remplacer l'ensemble tuyau avant d'utiliser le radiateur.
- L'ensemble tuyau de remplacement doit être celui qui est spécifié par le fabricant (Se référer à la List des pièces).

INSTRUCTIONS D'ALLUMAGE

⚠ AVERTISSEMENT : Le moteur et le ventilateur doivent être en marche avant l'allumage, pendant le fonctionnement de l'appareil et à l'arrêt, afin de prévenir une extinction accidentelle qui pourrait causer des blessures ou entraîner des dommages matériels.

REMARQUE : Ce radiateur utilise un système d'allumage par étincelle continu. Cette unité émet constamment un cliquetis, que ce soit avant ou après l'allumage ou durant le.

1. Branchez le cordon d'alimentation à une prise monophasée mise à la terre à trois (3) broches de 120 V, 60Hz.
2. Tournez la valve du robinet de gaz dans le sens horaire ↻ jusqu'à la position D'ARRÊT ○.
3. Attendez cinq (5) minutes pour laisser évacuer tout le gaz. Essayez ensuite de détecter toute odeur de gaz. Si aucune odeur n'est détectée, passez à la prochaine étape.
4. Ouvrir l'alimentation en gaz en tournant le robinet de réservoir dans le sens antihoraire ↺ jusqu'à la position de MARCHE.
5. Appuyez sur le bouton de commande du gaz, puis tournez-le dans le sens antihoraire ↺ jusqu'à la position FAIBLE/ALLUMAGE. Cela allumera le brûleur. Si nécessaire, appuyez sur bouton de commande jusqu'à ce que le brûleur s'allume et maintenez le bouton enfoncé en le faisant passer de la position D'ARRÊT ○ à la position FAIBLE/ALLUMAGE, sur les modèles à allumage par étincelle piézoélectrique. (À la D'ARRÊT ÉLEVÉE/ALLUMAGE sur le modèle FA40 série).
6. Maintenez le bouton de la vanne enfoncé pendant au moins 30 secondes après l'allumage du brûleur. Relâchez le bouton après 30 secondes
7. Si le brûleur ne demeure pas allumé, recommencez les étapes de l'allumage.
8. Lorsque le brûleur est allumé, tournez la valve du robinet de gaz dans le sens antihoraire ↺ jusqu'au réglage souhaité. (Tous les modèles, à l'exception des FA40 série).

**NE LAISSEZ JAMAIS L'APPAREIL DE
CHAUFFAGE ALLUMÉ SANS SURVEILLANCE!**

RADIATEUR DE CONSTRUCTION AU GAZ PROPANE

DIRECTIVES D'ARRÊT

AVERTISSEMENT: Le moteur et le ventilateur doivent être en marche avant l'allumage, pendant le fonctionnement de l'appareil et à l'arrêt, afin de prévenir une extinction accidentelle qui pourrait causer des blessures ou entraîner des dommages matériels.

Tournez le bouton de commande du gaz dans le sens horaire ↻ jusqu'à la position D'ARRÊT ○.

Fermez l'alimentation en gaz D'ARRÊT de la bouteille de propane en tournant le bouton dans le sens horaire ↻.

Débranchez le radiateur lorsque celui-ci s'est refroidi et qu'il est à la température de la pièce.

VÉRIFIEZ L'ALLUMAGE DU RADIATEUR

Pour vérifier l'allumage de votre radiateur de construction, suivez les instructions d'allumage applicables a système de commande de gaz utilisé. Vérifiez les fuites de toutes les connexions de gaz à l'aide d'une solution savonneuse. Des bulles de savon indiquent une fuite de gaz. N'utilisez PAS d'allumette ni de flamme pour vérifier les fuites de gaz

RANGEMENT

Ne rangez jamais un réservoir de gaz propane à l'intérieur d'un immeuble ou à proximité de tout appareil de combustion de gaz ou de pétrole. Lorsque la bouteille de propane n'est pas déconnectée du radiateur de construction, la bouteille et le radiateur doivent être rangés à l'extérieur dans un endroit bien ventilé et hors de portée des enfants. Si, pour quelque raison que ce soit, le radiateur doit être entreposé à l'intérieur, la bouteille doit être déconnectée et rangée à l'extérieur dans un endroit bien ventilé, hors de portée des enfants, conformément à la Norme pour l'entreposage et la manipulation des gaz de pétrole liquéfié ANSI/NFPA 58 et au Code d'installation du gaz naturel CSA B149.1. La soupape en plastique fournie avec votre bouteille doit être solidement installée lorsque la bouteille est déconnectée du radiateur.

INSTRUCTIONS D'ENTRETIEN

1. Mettez l'appareil hors tension, laissez le radiateur refroidir complètement et déconnectez le tuyau de propane avant d'effectuer tout entretien. Débranchez l'appareil de la prise de 120 V.
2. Maintenez l'appareil propre et gardez l'intérieur du logement de la torpille libre de tout débris.
3. Faites vérifier l'appareil par un technicien qualifié au moins une fois par année, de préférence avant la saison de chauffage.

PIÈCES DE RECHANGE

Pièces sous garantie : Communiquez avec les distributeurs agréés de ce produit. S'ils ne peuvent vous fournir de pièces de rechange d'origine, communiquez avec la centrale des pièces la plus proche ou encore World Marketing of America au 1-800-776-9425.

Lorsque vous appelez World Marketing, assurez-vous d'avoir sous la main :

- votre nom
- votre adresse
- le problème de fonctionnement du radiateur
- la date d'achat, le modèle et le numéro de série de votre radiateur
- le numéro de modèle du radiateur
- le numéro de la pièce de rechange

**NE LAISSEZ JAMAIS L'APPAREIL DE
CHAUFFAGE ALLUMÉ SANS SURVEILLANCE!**

RADIATEUR DE CONSTRUCTION AU GAZ PROPANE

DÉPANNAGE

| PROBLÈME | CAUSES POSSIBLES | MESURE CORRECTIVE |
|------------------------------------------------------------------------------|--------------------------------------------------------------------------------------------------------------------------------------------------------------------------------------------------------------------------------------------------------------------------------------|------------------------------------------------------------------------------------------------------------------------------------------------------------------------------------------------------------------------------------------------------------------------------------------------------------------------------------------------------------------------------------------------------------------------------------------------------------------------------------|
| 1. Le cadran de réglage est éteint et l'unité émet un cliquetis. | 1. Cette situation est normale. Ce radiateur utilise un système d'allumage par étincelle continu. Cette unité émet constamment un cliquetis, que ce soit avant ou après l'allumage ou durant le. | 1. Aucune mesure corrective n'est nécessaire. |
| 2. L'allumeur émet un cliquetis pendant le radiateur est allumée. | 1. Cette situation est normale. Ce radiateur utilise un système d'allumage par étincelle continu. Cette unité émet constamment un cliquetis, que ce soit avant ou après l'allumage ou durant le. | 1. Aucune mesure corrective n'est nécessaire. |
| 3. Le ventilateur ne s'allume pas lorsque la connexion électrique est faite. | <ol style="list-style-type: none"> 1. Il n'y a pas d'électricité. 2. Une pale du ventilateur touche une partie interne de son logement dans le radiateur. 3. La ou les pales sont pliées. 4. Le moteur du ventilateur est défectueux. | <ol style="list-style-type: none"> 1. Vérifiez qu'il y a du courant dans la prise électrique. Si la tension est correcte, vérifiez que le cordon d'alimentation et la rallonge ne sont pas coupés ou endommagés. 2. Assurez-vous que le logement du ventilateur n'est pas endommagé. Assurez-vous que rien ne fait obstacle au ventilateur. 3. Redressez la ou les pales pour qu'elles correspondent aux autres. 4. Remplacez le moteur. |
| 4. Le radiateur ne s'allume pas. | <ol style="list-style-type: none"> 1. Il n'y a pas d'étincelle à l'allumage. 2. L'éclateur est inadéquat. 3. Il y a une mauvaise électrode. | <ol style="list-style-type: none"> 1. Vérifiez le fil d'allumage. Fixez à nouveau ou resserrez le fil s'il est lâche. Vérifiez le module à étincelles. Remplacez-le si nécessaire. 2. Placez la distance (voir les caractéristiques pour la distance). 3. Remplacez la bougie d'allumage. |
| 5. Le radiateur s'arrête pendant qu'il est en marche | <ol style="list-style-type: none"> 1. Une température interne trop élevée amène le disjoncteur à interrompre le fonctionnement. 2. La valve de commande est endommagée. 3. De la poussière ou des débris sont accumulés à l'intérieur du radiateur. | <ol style="list-style-type: none"> 1. Si les sorties des radiateurs sont restreintes, la température interne devient trop élevée. Déplacez le radiateur loin de toute source d'obstruction. 2. Remplacez la vanne de commande. 3. Nettoyez l'intérieur du radiateur. |

Assurez-vous de toujours suivre les procédures d'entretien en nettoyant le radiateur une fois par mois au cours d'une utilisation régulière; vérifiez la bougie de l'éclateur au moins une fois par saison.

POUR OBTENIR UNE ASSISTANCE TECHNIQUE, ADRESSEZ-VOUS À VOTRE DÉTAILLANT OU CONTACTEZ NOUS:

PHONE: 800-776-9425

EMAIL: support@worldmkting.com or

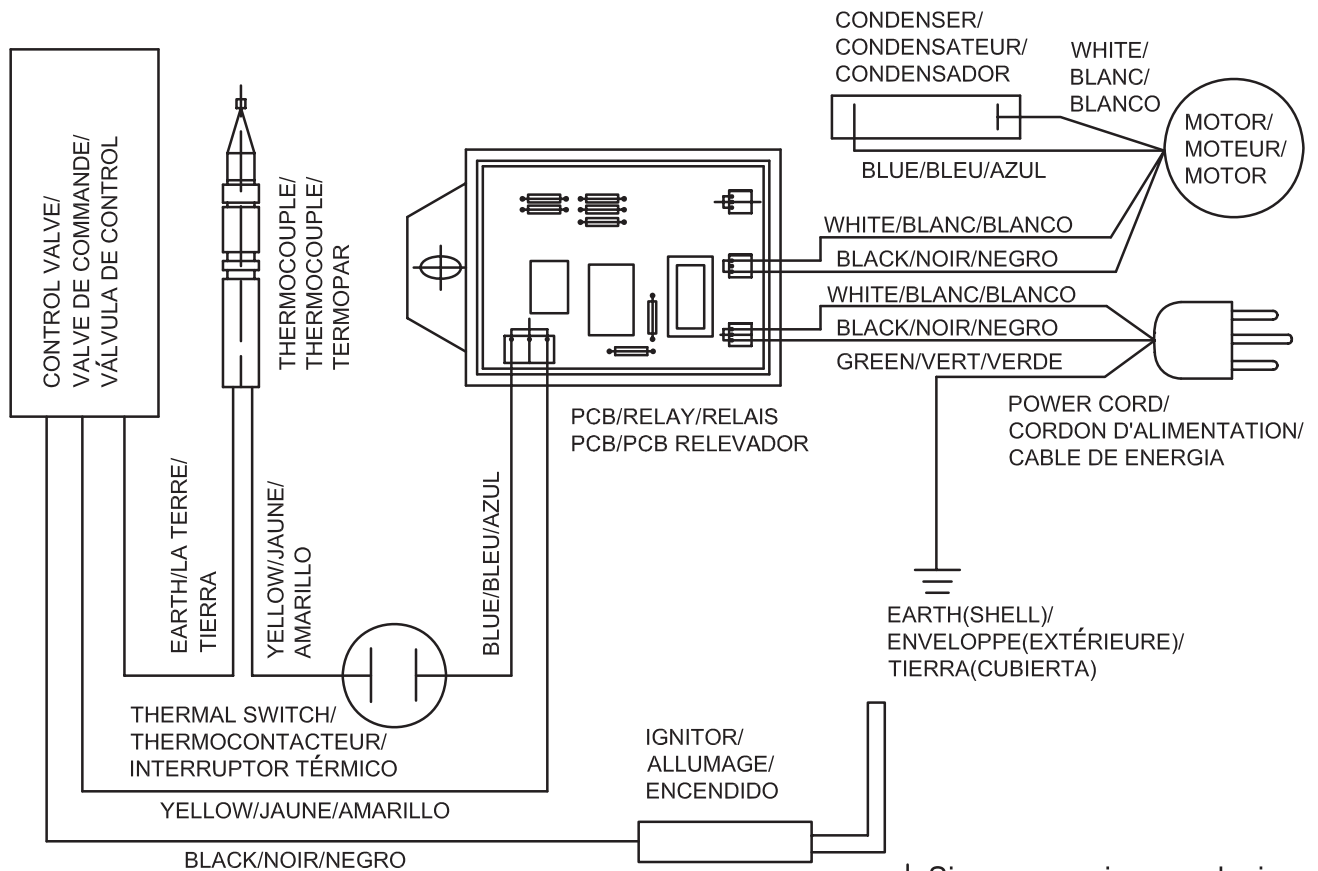
info@worldmkting.com www.worldmkting.com

**NE LAISSEZ JAMAIS L'APPAREIL DE
CHAUFFAGE ALLUMÉ SANS SURVEILLANCE!**

RADIATEUR DE CONSTRUCTION AU GAZ PROPANE

DIAGRAMMES DES CÂBLES

PIEZO / MANUAL SPARK MODELS
MODÈLES À ÉTINCELLE PIÉZOÉLECTRIQUE / MANUELLE
MODELOS DE CHISPA MANUAL O PIEZOELÉCTRICA



If any original wiring supplied with the heater must be replaced, it must be type AWG 105°C wire or its equivalent, except as indicated.

Si vous devez faire remplacer les fils d'origine du radiateur, procurez-vous du fil AWG 105 Celsius ou l'équivalent, sauf indication contraire.

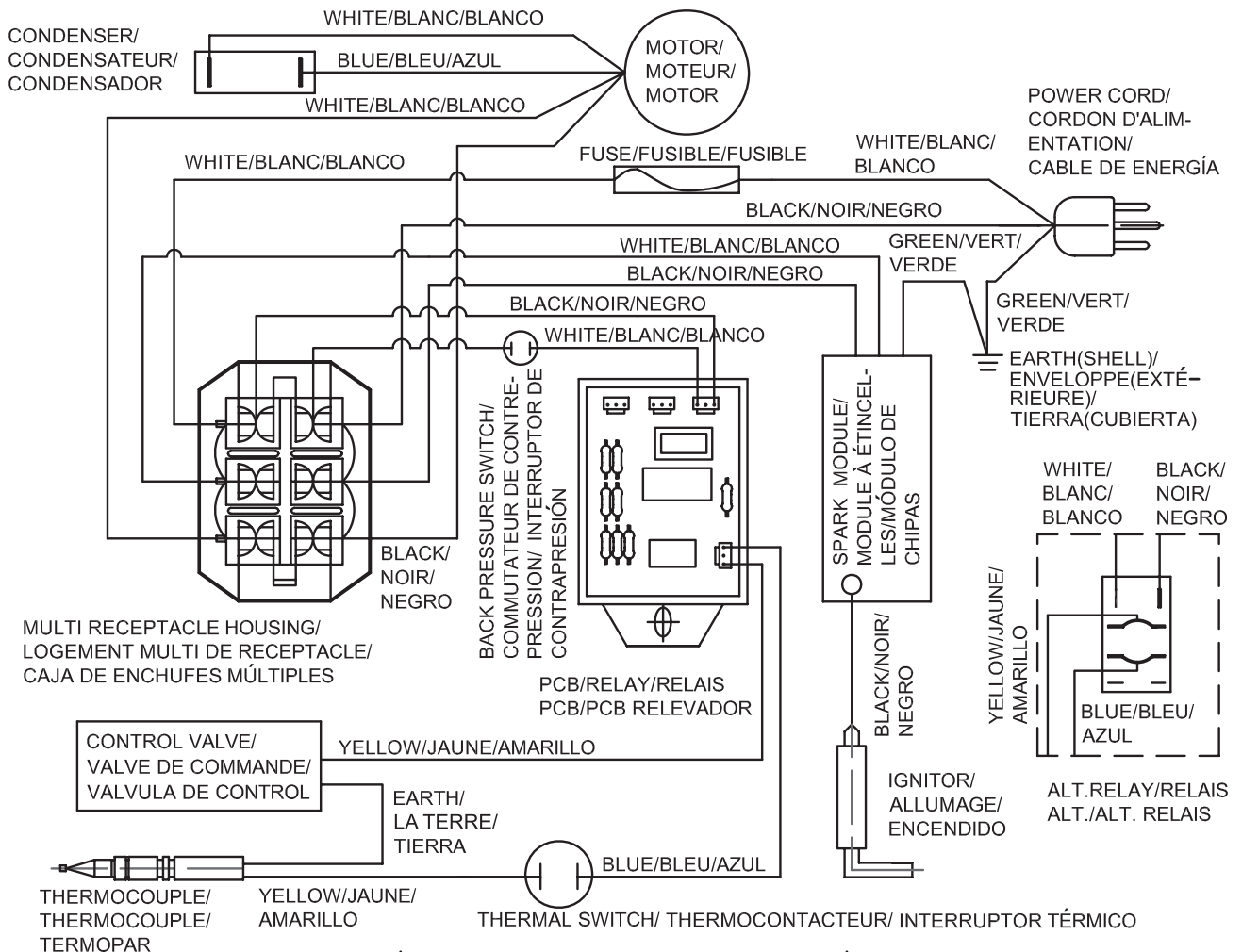
Si se proporciona cualquier cableado con el calentador se debe reemplazar, debe ser cable tipo AWG 105°C o su equivalente, excepto como se indica.

NE LAISSEZ JAMAIS L'APPAREIL DE CHAUFFAGE ALLUMÉ SANS SURVEILLANCE!

RADIATEUR DE CONSTRUCTION AU GAZ PROPANE

DIAGRAMMES DES CÂBLES

CONTINUOUS SPARK MODELS/MODÈLES À ÉTINCELLE CONTINUE MODELOS DE CHISPA CONTINUA



If any original wiring supplied with the heater must be replaced, it must be type AWG 105°C wire or its equivalent, except as indicated.
100K, 125K & 150K Models

Si vous devez faire remplacer les fils d'origine du radiateur, procurez-vous du fil AWG 105 Celsius ou l'équivalent, sauf indication contraire.
100K, 125K & 150K Les modèles

Si se proporciona cualquier cableado con el calentador se debe reemplazar, debe ser cable tipo AWG 105°C o su equivalente, excepto como se indica.
100K, 125K & 150K modelos

RADIATEUR DE CONSTRUCTION AU GAZ PROPANE

LISTE DES PIÈCES DE RECHANGE

| Article No. | DESCRIPTION | QTE | NUMERO DE PIECE | | |
|-------------|----------------------------------------------------------------|-----|-----------------|-----------------|-----------------|
| | | | RFG40V | RFG50V | RFG60V |
| 1 | BOÎTIER | 1 | 2304818 | 2304818 | 2304818 |
| 2 | BUSE | 1 | *2304829 | *2304942 | *2325121 |
| 3 | BOUCHON DE FLAMME | 1 | 2304819 | 2304819 | 2325120 |
| 4 | SUPPORT DE THERMOCONTACTEUR | 1 | 2304826 | 2304826 | 2304826 |
| 5 | THERMOCONTACTEUR | 1 | 2201373 | 2201563 | 2201599 |
| 6 | ÉCROU DE BUSE | 1 | 2304578 | 2304578 | 2304578 |
| 7 | ENSEMBLE BOUGIE D'ALLUMAGE | 1 | 2201375 | 2201375 | 2206033 |
| 8 | ENSEMBLE THERMOCOUPLE (1130/1474-425L) | 1 | 2304885 | 2304885 | 2304885 |
| 9 | GAZ ENSEMBLE DE TUBE | 1 | 2304830 | 2304830 | 2304830 |
| 10 | ENVELOPPE EXTÉRIEURE | 1 | 2315956 | 2315956 | 2315956 |
| 11 | ENROULEMENT DE CORDE (certains modèles seulement) | 2 | N/A | N/A | N/A |
| 12 | ENSEMBLE POIGNÉE - NOIR | 1 | 2101447 | 2101447 | 2101447 |
| | ENSEMBLE POIGNÉE - GRIS | 1 | 2305426 | 2305426 | 2305426 |
| 12.1 | VIS - FRONT DE LA POIGNÉE | 1 | 2001355 | 2001355 | 2001355 |
| 12.2 | VIS - FRONT DE LA POIGNÉE | 1 | 2001077 | 2001077 | 2001077 |
| 12.3 | ÉCROU - POIGNÉE ARRIÈRE | 1 | 2000384 | 2000384 | 2000384 |
| 13 | SUPPORT DE MOTEUR | 1 | 2304823 | 2304823 | 2304823 |
| 13.1 | MONTAGE DU MOTEUR-BOULON | 2 | 2001332 | 2001332 | 2001332 |
| 13.2 | DOUILLE | 1 | 2304949 | 2304949 | 2304949 |
| 14 | MOTEUR | 1 | 2305909 | 2305447 | 2304547 |
| 14.1 | MOTEUR - VENTILATEUR | 1 | 2304821 | 2304821 | 2304821 |
| 15 | GARDE DU VENTILATEUR - NOIR | 1 | 2304828 | 2304828 | 2304828 |
| | GARDE DU VENTILATEUR - GRIS | 1 | 2305411 | 2305411 | 2305411 |
| 16 | CONSOLE DE MOTEUR | 1 | 2304937 | 2304937 | 2304937 |
| 17 | VALVE - GAZ | 1 | GS22-FA40 | GS22A-FA60 | GS22A-FA60 |
| 18 | INTERRUPTEUR DE PRESSION | 1 | N/A | N/A | N/A |
| 19 | SUPPORT DE VALVE | 1 | 2304624 | 2304624 | 2304624 |
| 20 | BASE - NOIR | 1 | 2304923 | 2304923 | 2304923 |
| | BASE - GRIS | 1 | 2305405 | 2305405 | 2305405 |
| 21 | CORDON ÉLECTRIQUE | 1 | 2201368 | 2101670 | 2101670 |
| 22 | ENTRÉE DU CONNECTEUR | 1 | 2304831 | 2304831 | 2304831 |
| 23 | CAPACITÉ | 1 | 2201372 | 2201372 | 2201372 |
| 24 | BASE INFÉRIEURE - NOIR | 1 | 2304925 | 2304925 | 2304925 |
| | BASE INFÉRIEURE - GRIS | 1 | 2305407 | 2305407 | 2305407 |
| 25 | BOUTON DE LA VANNE À GAZ - NOIR | 1 | 2101451 | 2101451 | 2101451 |
| | BOUTON DE LA VANNE À GAZ - ORANGE | 1 | 2305466 | 2305466 | 2305466 |
| 26 | RÉGULATEUR DE HAUTEUR - NOIR | 1 | 2304927 | 2304927 | 2304927 |
| | RÉGULATEUR DE HAUTEUR - GRIS | 1 | 2305409 | 2305409 | 2305409 |
| 27 | VIS DE RÉGLAGE DE LA HAUTEUR - NOIR | 1 | 2304510 | 2304510 | 2304510 |
| | VIS DE RÉGLAGE DE LA HAUTEUR - ORANGE | 1 | 2305467 | 2305467 | 2305467 |
| 28 | ENSEMBLE FIL DE CONNEXION | 1 | 2201371 | 2201371 | 2201371 |
| 29 | MODULE À ÉTINCELLES | 1 | N/A | 2201391 | 2201391 |
| 30 | ENSEMBLE CARTE DE CIRCUITS IMPRIMÉS | 1 | 2201369 | 2201369 | 2201369 |
| 31 | ENSEMBLE RÉGULATEUR ET TUYAU - 10pieds (3mts) | 1 | KR10602-10-31 | KR10602-10-31 | KR10602-10-31 |
| | ENSEMBLE RÉGULATEUR ET TUYAU - 10pieds (3mts) avec VOLANT | 1 | KR10602-HW10-31 | KR10602-HW10-31 | KR10602-HW10-31 |
| | ENSEMBLE RÉGULATEUR ET TUYAU(QCC) - 10pieds (3mts) | 1 | TYQ-9C-3000 | TYQ-10C-3000 | TYQ-10C-3000 |
| | ENSEMBLE RÉGULATEUR ET TUYAU - 15pieds (4.6mts) | 1 | KR10602-15-31 | KR10602-15-31 | KR10602-15-31 |
| | ENSEMBLE RÉGULATEUR ET TUYAU - 15pieds (4.6mts) avec VOLANT | 1 | KR10602-HW15-31 | KR10602-HW15-31 | KR10602-HW15-31 |
| | ENSEMBLE RÉGULATEUR ET TUYAU(QCC) - 15pieds (4.6mts) | 1 | TYQ-9C-4572 | TYQ-10C-4572 | TYQ-10C-4572 |

* VERSION NON REPRÉSENTÉ EN VUE ÉCLATÉE

NE LAISSEZ JAMAIS L'APPAREIL DE
CHAUFFAGE ALLUMÉ SANS SURVEILLANCE!

RADIATEUR DE CONSTRUCTION AU GAZ PROPANE

LISTE DES PIÈCES DE RECHANGE

| Article No. | DESCRIPTION | QTE | NUMERO DE PIECE | | |
|-------------|----------------------------------------------------------------|-----|-----------------|---------------|---------------|
| | | | RFG100V | RFG125V | RFG150V |
| 1 | BOÎTIER | 1 | 2304929 | 2304929 | 2304929 |
| 2 | BUSE | 1 | *2304943 | 5030077 | 2304944 |
| 3 | BOUCHON DE FLAMME | 1 | 2304930 | 2325122 | 2304931 |
| 4 | SUPPORT DE THERMOCONTACTEUR | 1 | 2304826 | 2315515 | 2001355 |
| 5 | THERMOCONTACTEUR | 1 | 2201373 | 2201373 | 2201373 |
| 6 | ÉCROU DE BUSE | 1 | 2304578 | 2304945 | 2304945 |
| 7 | ENSEMBLE BOUGIE D'ALLUMAGE | 1 | 2201392 | 2206034 | 2201393 |
| 8 | ENSEMBLE THERMOCOUPLE (1130/1474-425L) | 1 | 2304885 | 2304885 | 2304885 |
| 9 | GAZ ENSEMBLE DE TUBE | 1 | 2304946 | 2325138 | 2304947 |
| 10 | ENVELOPPE EXTÉRIEURE | 1 | 2915957 | 2304922 | 2315957 |
| 11 | ENROULEMENT DE CORDE (certains modèles seulement) | 2 | 2101423 | 2101423 | 2101423 |
| 12 | ENSEMBLE POIGNÉE - NOIR | 1 | 2101447 | 2101447 | 2101447 |
| | ENSEMBLE POIGNÉE - GRIS | 1 | 2305426 | 2305426 | 2305426 |
| 12.1 | VIS - FRONT DE LA POIGNÉE | 1 | 2001355 | 2001355 | 2001355 |
| 12.2 | VIS - FRONT DE LA POIGNÉE | 1 | 2001077 | 2001077 | 2001077 |
| 12.3 | ÉCROU - POIGNÉE ARRIÈRE | 1 | 2000384 | 2000384 | 2000384 |
| 13 | SUPPORT DE MOTEUR | 1 | 2304823 | 2304823 | 2304823 |
| 13.1 | MONTAGE DU MOTEUR-BOULON | 2 | 2001332 | 2001332 | 2001332 |
| 13.2 | DOUILLE | 1 | 2304949 | 2304949 | 2304949 |
| 14 | MOTEUR | 1 | 2304548 | 2304548 | 2304548 |
| 14.1 | MOTEUR - VENTILATEUR | 1 | 2304936 | 2304936 | 2304936 |
| 15 | GARDE DU VENTILATEUR - NOIR | 1 | 2304939 | 2304939 | 2304939 |
| | GARDE DU VENTILATEUR - GRIS | 1 | 2305412 | 2305412 | 2305412 |
| 16 | CONSOLE DE MOTEUR | 1 | 2304938 | 2304938 | 2304938 |
| 17 | VALVE - GAZ | 1 | GS22A-FA125 | GS22A-FA125 | GS22A-FA150 |
| 18 | INTERRUPTEUR DE PRESSION | 1 | 2305976 | 2305976 | 2305976 |
| 19 | SUPPORT DE VALVE | 1 | 2304624 | 2304624 | 2304624 |
| 20 | BASE - NOIR | 1 | 2304924 | 2304924 | 2304924 |
| | BASE - GRIS | 1 | N/A | 2403354 | N/A |
| 21 | CORDON ÉLECTRIQUE | 1 | 2101673 | 2101673 | 2101673 |
| 22 | ENTRÉE DU CONNECTEUR | 1 | 2304831 | 2304831 | 2304831 |
| 23 | CAPACITÉ | 1 | 2301390 | 2301390 | 2301390 |
| 24 | BASE INFÉRIEURE -NOIR | 1 | 2304926 | 2304926 | 2304926 |
| | BASE INFÉRIEURE - GRIS | 1 | N/A | 2403355 | N/A |
| 25 | BOUTON DE LA VANNE À GAZ - NOIR | 1 | 2101451 | 2101451 | 2101451 |
| | BOUTON DE LA VANNE À GAZ - ORANGE | 1 | N/A | 2305466 | N/A |
| 26 | RÉGULATEUR DE HAUTEUR - NOIR | 1 | 2304928 | 2304928 | 2304928 |
| | RÉGULATEUR DE HAUTEUR - GRIS | 1 | N/A | 2403356 | N/A |
| 27 | VIS DE RÉGLAGE DE LA HAUTEUR - NOIR | 1 | 2304510 | 2304510 | 2304510 |
| | VIS DE RÉGLAGE DE LA HAUTEUR - ORANGE | 1 | N/A | 2305467 | N/A |
| 28 | ENSEMBLE FIL DE CONNEXION | 1 | 2201371 | 2201371 | 2201371 |
| 29 | MODULE À ÉTINCELLES | 1 | 2201391 | 2201391 | 2201391 |
| 30 | ENSEMBLE CARTE DE CIRCUITS IMPRIMÉS | 1 | 2201369 | 2201369 | 2201369 |
| 31 | ENSEMBLE RÉGULATEUR ET TUYAU - 10pieds (3mts) | 1 | GR109-10-38 | GR109-10-38 | GR109-10-38 |
| | ENSEMBLE RÉGULATEUR ET TUYAU - 10pieds (3mts) avec VOLANT | 1 | GR109-HW10-38 | GR109-HW10-38 | GR109-HW10-38 |
| | ENSEMBLE RÉGULATEUR ET TUYAU(QCC) - 10pieds (3mts) | 1 | TYQ-6D1-3000 | TYQ-6D1-3000 | TYQ-6D1-3000 |
| | ENSEMBLE RÉGULATEUR ET TUYAU - 15pieds (4.6mts) | 1 | GR109-15-38 | GR109-15-38 | GR109-15-38 |
| | ENSEMBLE RÉGULATEUR ET TUYAU - 15pieds (4.6mts) avec VOLANT | 1 | GR109-HW15-38 | GR109-HW15-38 | GR109-HW15-38 |
| | ENSEMBLE RÉGULATEUR ET TUYAU(QCC) - 15pieds (4.6mts) | | TYQ-6D1-4572 | TYQ-6D1-4572 | TYQ-6E1-4572 |

* VERSION NON REPRÉSENTÉ EN VUE ÉCLATÉE

NE LAISSEZ JAMAIS L'APPAREIL DE
CHAUFFAGE ALLUMÉ SANS SURVEILLANCE!

GARANTIE LIMITÉE : World Marketing of America, Inc. garantit que cet appareil de chauffage Reddy est exempt de tout vice de matériaux et de fabrication pendant une période de deux (2) ans. Cette garantie est limitée à l'acheteur original (NON TRANSFÉRABLE) et exige une preuve d'achat telle qu'une facture, un chèque annulé, un reçu de caisse, etc. Cette garantie est limitée aux vices de matériaux et de fabrication et ne couvre pas l'entretien normal nécessaire au bon fonctionnement de l'appareil de chauffage. Le remplacement des rotors, des filtres, des fusibles et des allumeurs n'est pas couvert par la présente garantie.

La présente garantie ne concerne pas les produits achetés à des fins de location.

RESPONSABILITÉS DU PROPRIÉTAIRE : Cet appareil de chauffage doit être utilisé selon les instructions écrites qui l'accompagnent. Cette garantie n'exonère pas le propriétaire d'entretenir correctement cet appareil de chauffage conformément aux instructions écrites fournies avec celui-ci. Un acte de vente, un chèque annulé ou un relevé de paiement doit être conservé pour vérifier la date d'achat et pour établir la période de garantie. La boîte d'origine doit être conservée en cas de retour de l'appareil sous garantie.

CE QUI N'EST PAS COUVERT :

1. Dommages résultant de l'utilisation d'un carburant inapproprié.
2. Dommages causés par une mauvaise utilisation ou une utilisation non conforme au manuel d'utilisation et aux consignes de sécurité.
3. Dommages causés par un manque d'entretien normal.
4. Fusibles
5. Utilisation de pièces ou d'accessoires non conformes à la norme.
6. Dommages causés lors du transport. Les frais de transport des pièces sous garantie ou des appareils de chauffage vers et depuis l'usine sont à la charge du propriétaire.

En cas de défaut, la présente Garantie limitée se limite à la réparation ou au remplacement des pièces qui s'avèrent défectueuses dans des conditions normales d'utilisation et d'entretien au cours de la période de garantie limitée. World Marketing of America, Inc. renonce à toute autre garantie pour les produits achetés auprès de vendeurs autres que les détaillants ou distributeurs agréés. World Marketing of America, Inc. (et ses sociétés affiliées) NE SERONT EN AUCUN CAS RESPONSABLES ENVERS L'ACHETEUR OU TOUT AUTRE TIERS POUR LES DOMMAGES SPÉCIAUX, INDIRECTS, PUNITIFS, ACCESSOIRES OU CONSÉCUTIFS. Ce produit doit être correctement entretenu et utilisé conformément aux instructions fournies dans le présent document. La présente Garantie limitée ne couvre pas les défaillances ou difficultés de fonctionnement dues à une utilisation et une usure normales, à un accident, à un abus, à une mauvaise utilisation, à une modification, à une mauvaise application, à une installation incorrecte ou à une maintenance ou un service inadéquats de votre part ou de la part de tout tiers. Le défaut d'entretien normal et périodique du produit et les dommages dus à des facteurs environnementaux ne sont pas couverts par la présente Garantie limitée. World Marketing of America, Inc. ne peut être tenu responsable de tout défaut causé par des tiers.

World Marketing of America, Inc NE FAIT AUCUNE DÉCLARATION NI NE DONNE AUCUNE GARANTIE, EXPRESSE OU IMPLICITE, CONCERNANT CET APPAREIL DE CHAUFFAGE, AUTRE QUE (I) LA GARANTIE LIMITÉE CI-DESSUS, ET (II) TOUTE GARANTIE IMPLICITE IMPOSÉE PAR LA LOI APPLICABLE ET QUI NE PEUT ÊTRE ANNULÉE OU REFUSÉE EN VERTU DE LA LOI EN VIGUEUR. LA GARANTIE LIMITÉE ÉNONCÉE DANS LE PRÉSENT DOCUMENT EST LA SEULE GARANTIE FOURNIE À L'ACHETEUR ET REMPLACE TOUTES LES AUTRES GARANTIES ET DÉCLARATIONS, EXPLICITES OU IMPLICITES.

Cette Garantie limitée donne à l'acheteur des droits légaux particuliers ; un acheteur peut avoir d'autres droits en fonction de son lieu de résidence. Certains États n'autorisent pas l'exclusion ou la limitation des dommages spéciaux, accessoires ou consécutifs, ou la loi de l'État peut affecter la durée des limitations, de sorte que l'exclusion et les limitations ci-dessus peuvent ne pas être applicables.