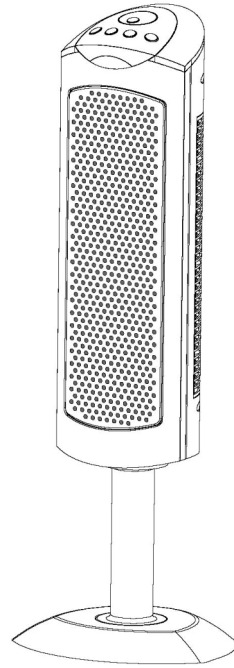


PELONIS

OWNER'S MANUAL



Pedestal Ceramic Heater

With Remote

Model HC-0128H



IMPORTANT INSTRUCTIONS

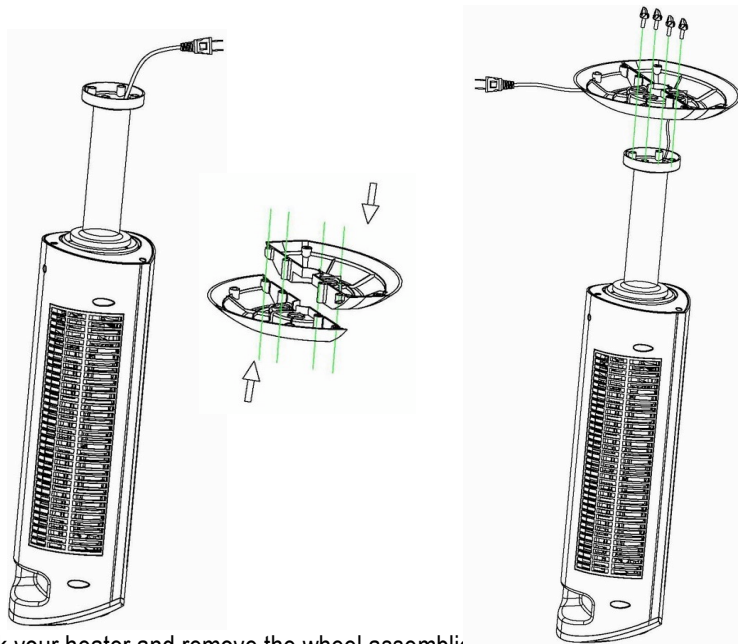
PLEASE READ AND SAVE THESE IMPORTANT SAFETY INSTRUCTIONS

When using electrical appliances, basic precautions should always be followed to reduce the risk of fire, electric shock, and injury to persons, including the following:

1. Read all instructions before using this heater.
2. This heater is hot when in use. To avoid burns, do not let bare skin touch hot surfaces. If provided, use handles when moving this heater. Keep combustible materials, such as furniture, pillows, bedding, papers, clothes, and curtains at least 3 feet (0.9m) from the front of the heater and keep them away from the sides and rear.
3. Extreme caution is necessary when any heater is used by or near children or invalids and whenever the heater is left operating and unattended.
4. Always unplug heater when not in use.
5. Do not operate any heater with a damaged cord or plug or after the heater malfunctions, has been dropped or damaged in any manner. Return heater to authorized service facility for examination, electrical or mechanical adjustment, or repair.
6. Do not use outdoors.
7. This heater is not intended for use in bathrooms, laundry areas and similar indoor locations. Never locate heater where it may fall into bathtub or other water container.
8. Do not run cord under carpeting. Do not cover cord with throw rugs, runners, or similar coverings. Arrange cord away from traffic area and where it will not be tripped over.
9. To disconnect heater, first turn controls to off, then remove plug from outlet.
10. Do not insert or allow foreign objects to enter any ventilation or exhaust opening as this may cause an electric shock or fire, or damage the heater.
11. To prevent a possible fire, do not block air intakes or exhaust in any manner. Do not use on soft surfaces, like a bed, where openings may become blocked.
12. A heater has hot and arcing or sparking parts inside. Do not use it in the areas where gasoline, paint, or flammable liquids are used or stored.
13. Use this heater only as described in this manual. Any other use not recommended by the manufacturer may cause fire, electric shock, or injury to persons.
14. Avoid the use of an extension cord because the extension cord may overheat and cause a risk of fire. However, if you have to use an extension cord, the cord shall be No. 14 AWG minimum size and rated not less than 1875 watts.
15. This heater draws 12.5 amps during operation. To prevent overloading a circuit, do not plug the heater into a circuit that already has other appliances working.
16. It is normal for the plug to feel warm to the touch; however, a loose fit between the AC outlet (receptacle) and plug may cause overheating and distortion of the plug. Contact a qualified electrician to replace loose or worn outlet.
17. The output of this heater may vary and its temperature may become intense enough to burn exposed skin. Use of this heater is not recommended for persons with reduced sensitivity to heat or an inability to react to avoid burns.
18. **“SAVE THESE INSTRUCTIONS”**

PLEASE READ AND SAVE THESE INSTRUCTIONS

UNPACKING AND SET-UP

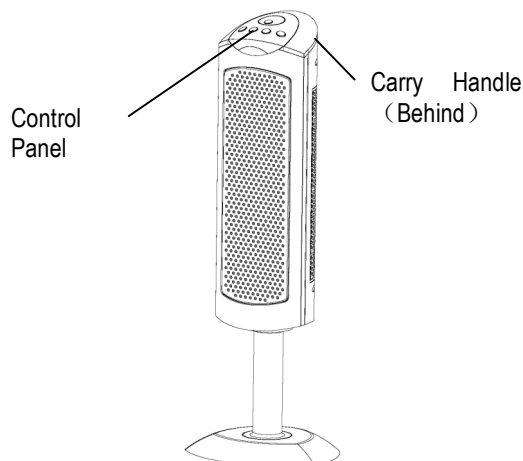


Unpack your heater and remove the wheel assembly.

1. Make sure the heater is unplugged and in the "OFF" position.
2. **TURN THE HEATER UPSIDE DOWN.** Un-fasten the four screws.
3. Position the two holes assemblies of the two half bases and fix them as shown.
4. Insert each U-shape screw into the holes of base.
5. Insert the butterfly nuts and screw them tightly.
6. Turn the heater upright.

IMPORTANT!

Your heater is equipped with a polarized alternating current line plug (a plug having one blade wider than the other). This plug will fit into the power outlet only one way. This is a safety feature. If you are unable to insert the plug fully into the outlet, try reversing the plug. If the plug should still fail to fit, contact your electrician to replace your outlet. **DO NOT** defeat the safety purpose of the polarized plug.



- ◆ **Remote control:** This heater has a 6 keys remote with the following function (See Fig.2):
1. **ON/OFF:** Power switch kev. used to turn the heater on when plug in or turn off the

OPERATING INSTRUCTIONS

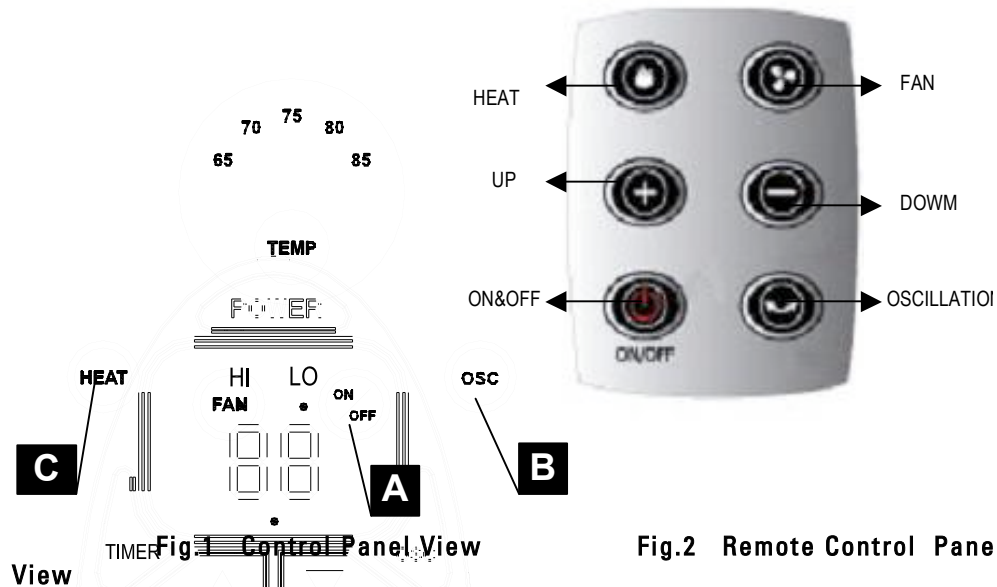


Fig.1 Control Panel View

Fig.2 Remote Control Pane

Fig.1 Control Panel Functions

- A** Power Switch
- B** Oscillation Switch
- C** Heat Mode

- ◆ Place the heater on a firm level surface free from obstructions, and at least 3 ft. away from any wall and any other objects such as furniture, curtains, plants or combustible material.

With the **Power Switch "A"** in the "OFF" position, plug the heater into a grounded 120V outlet.

Turn the heater "ON" and "OFF" by pressing the **Power Switch "A"**.

- To operate heater in heating setting, press **HEAT** button.
- To use heater in fan only setting, press **FAN** button. Press once again to cancel fan only setting.
- To heat a wide area of space it is advisable to use the oscillation feature. To use the heater in oscillation mode, first make sure the heater is on **HEAT** or **FAN** mode. Press once again to switch the oscillation feature off.
- **Temperature setting:**
When the heater is on, press "Up" or "Down" key and the Temperature will be switched circularly in sequence of 65°F.-70°F.-75°F.-80°F.-85°F. (75°F is the ex-factory setting).

CLEANING AND STORAGE

It is recommended that the heater be cleaned at least one time during the operating season in order to provide the optimum level of performance. **ALWAYS TURN THE POWER SWITCH**

the hot

SERVICE & SUPPORT

In the event of a warranty claim or if service is required for this heater, please contact us at the following:

ONE (1) YEAR LIMITED WARRANTY

- Please read all instructions before attempting to use this product

