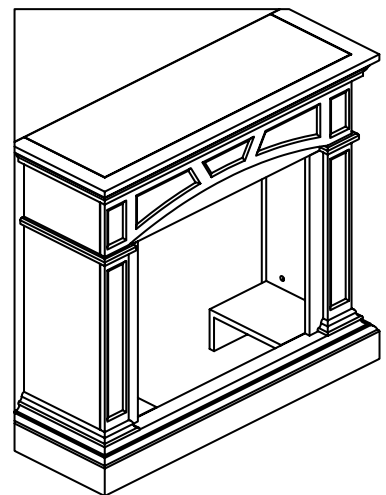
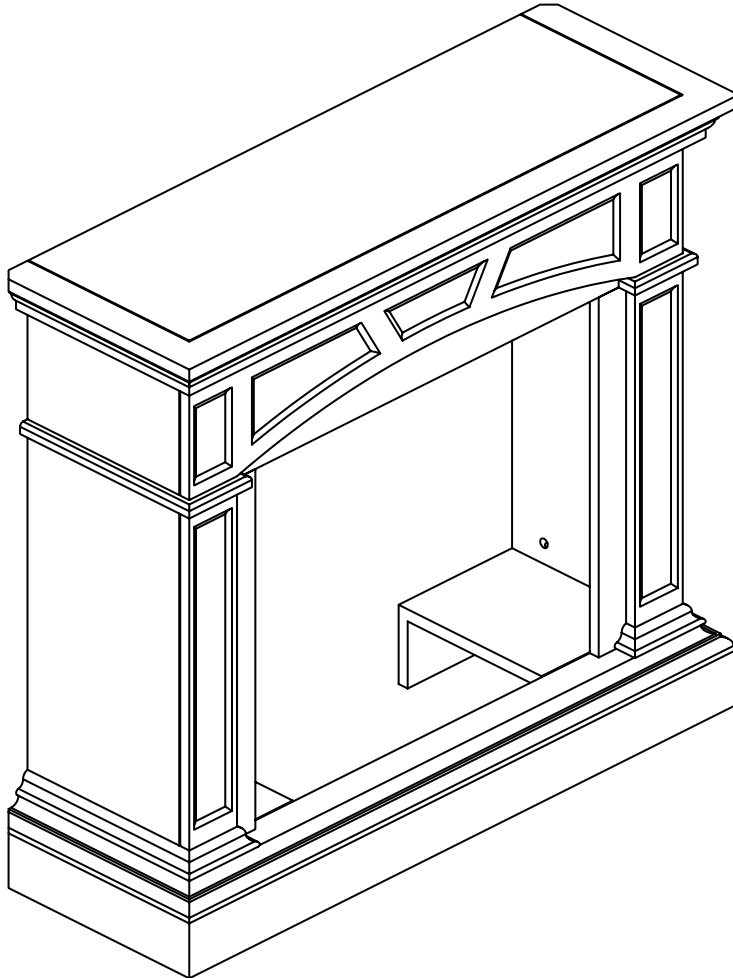
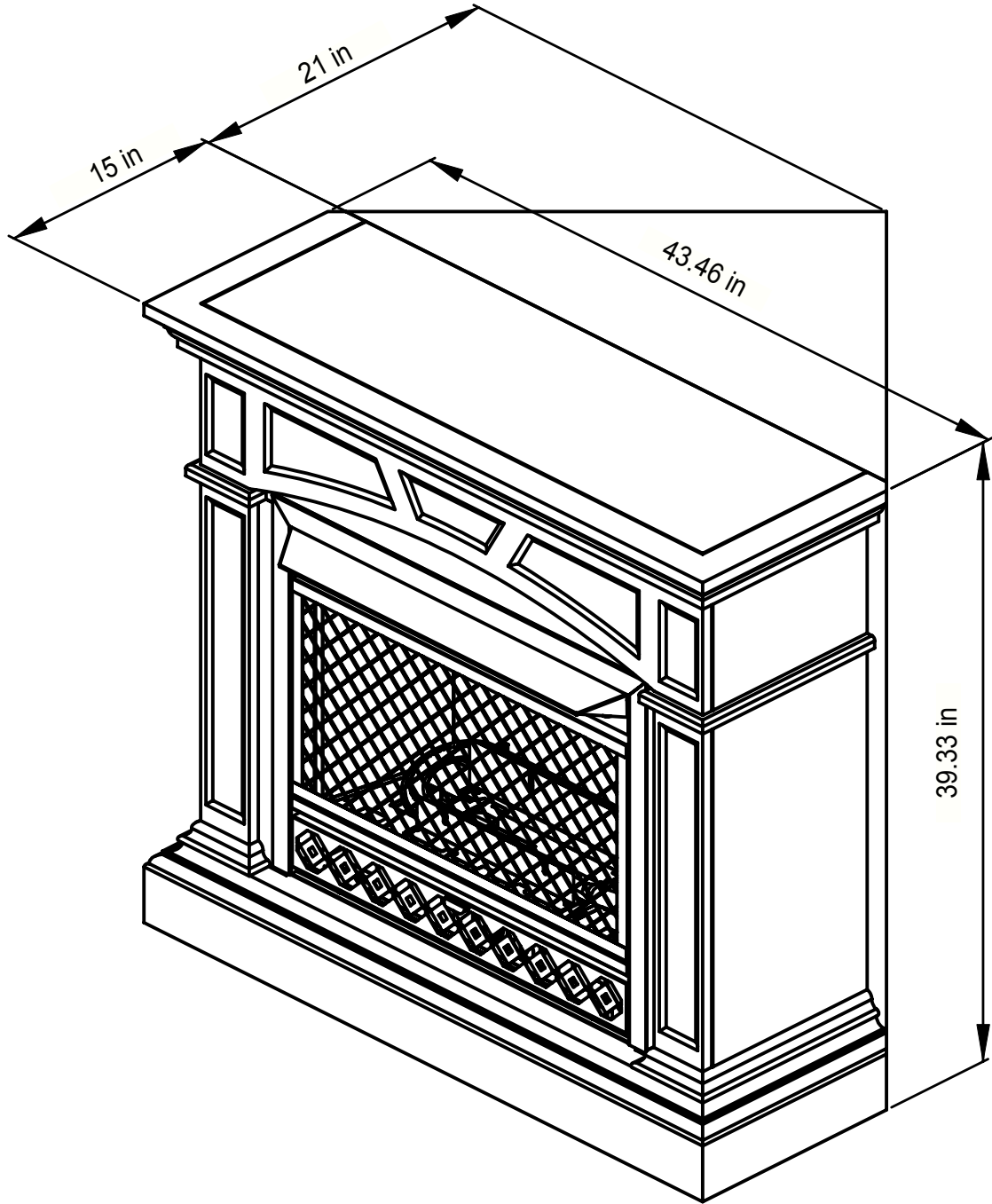


WOOD FIREPLACE MANTEL

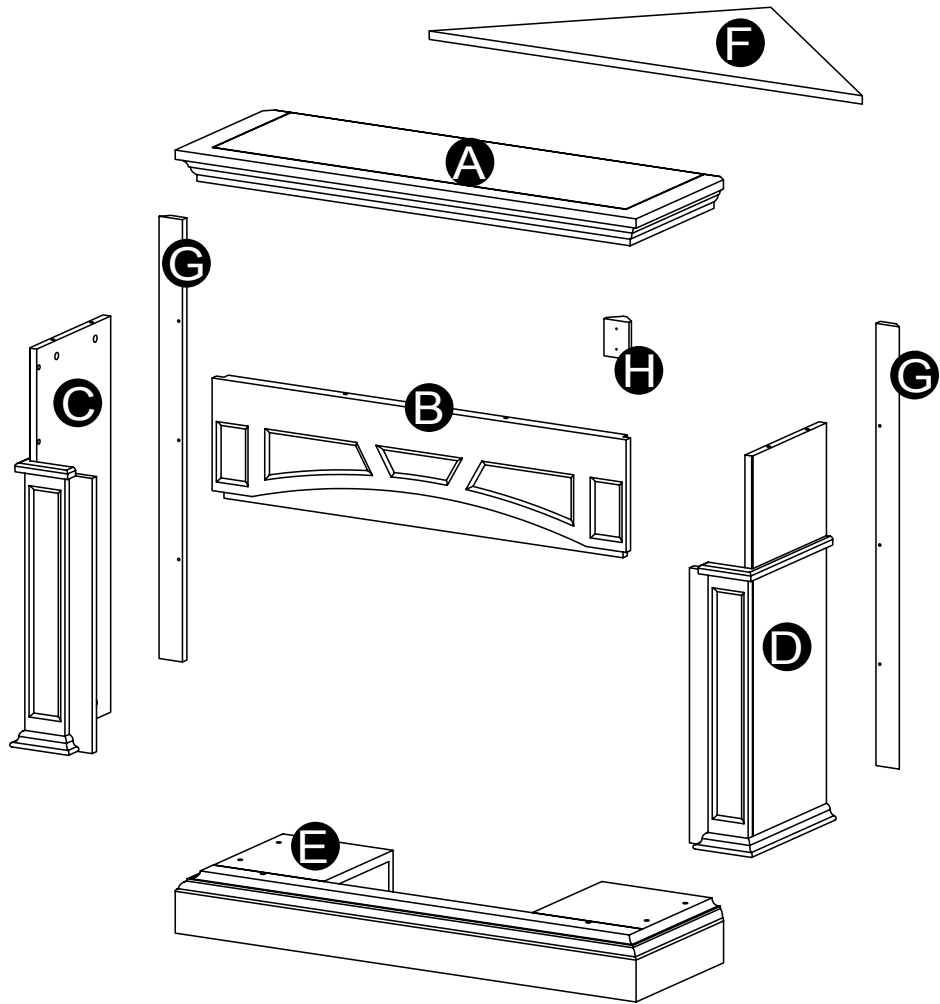
MODEL # FBD28-M1-400-NG/MO/HC



PRODUCT SPECIFICATIONS


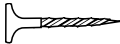
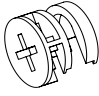
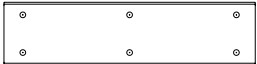
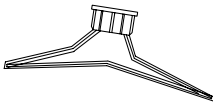
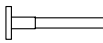
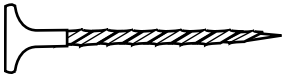
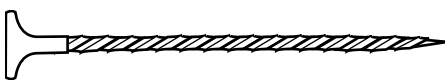


PACKAGE CONTENTS



PART	DESCRIPTION	Quantity
A	Top	1
B	Panel	1
C	Left Side Panel	1
D	Ride Side Panel	1
E	Base	1
F	Top Triangle Panel	1
G	Backboard	2
H	Set Square Support	1

HARDWARE CONTENTS

Part	Description	Quantity	Picture (Shown to size)	Part	Description	Quantity	Picture (Shown to size)
AA	Cam Dowel	16		FF	ST4 Screw 5/8 in.	18	
BB	Cam Lock	16		GG	Mounting Bracket	3	 (not actual size)
CC	Wall Anchor	2		HH	Red Key	1	
DD	ST4 Screw 1 3/8 in.	14					
EE	ST4 Screw 2 3/8 in.	2					

⚠ WARNINGS AND CAUTIONS

WARNING

- When tightening screws, do not overtighten. This may cause threads to strip. We recommend using a hand-powered screwdriver rather than a power screwdriver.
- Do not force screws into holes.

CAUTION

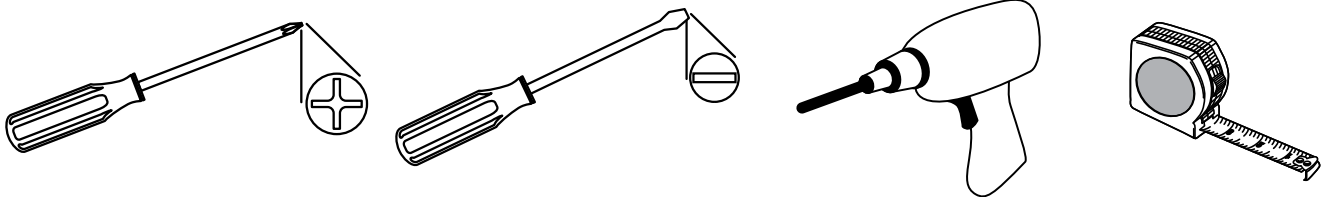
- For corner installations (optional); if baseboards are installed where the fireplace is intended to be displayed, then the fireplace will not fit flush against the wall. For a proper flush fit, you may need to remove part of the baseboard moulding if necessary.

PREPARATION

Before beginning assembly of product, make sure all parts are present. Compare parts with package contents list and diagram above. If any part is missing or damaged, do not attempt to assemble the product. Contact customer service for replacement parts.

Estimated Assembly Time: 60 minutes

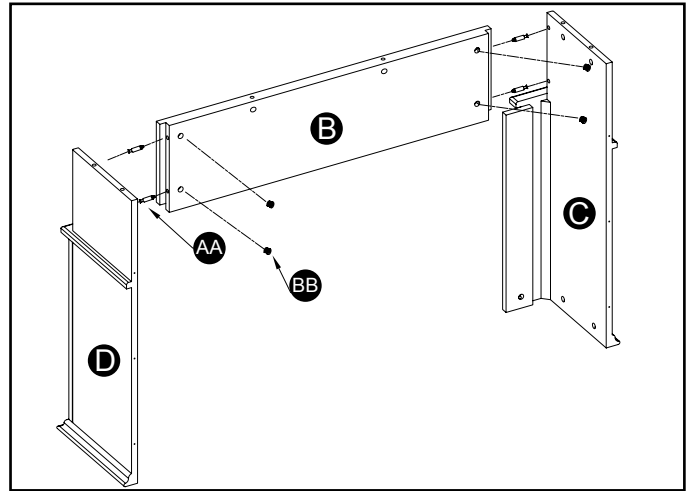
Tools Required for Assembly: Philips Screwdriver, Flathead Screwdriver, Drill, and Tape Measure



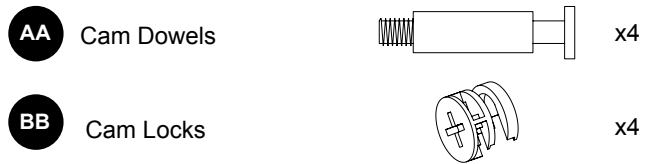
ASSEMBLY INSTRUCTIONS

1. Insert Cam Locks (BB) into Panel (B). Screw in Cam Dowels (AA) into Left Side Panel(C) and Right Side Panel (D). Attach LEFT SIDE PANEL (C) and Right Side Panel (D) to Panel (B) by tightening The Cam Locks (BB) as shown in Fig.1

Fig. 1

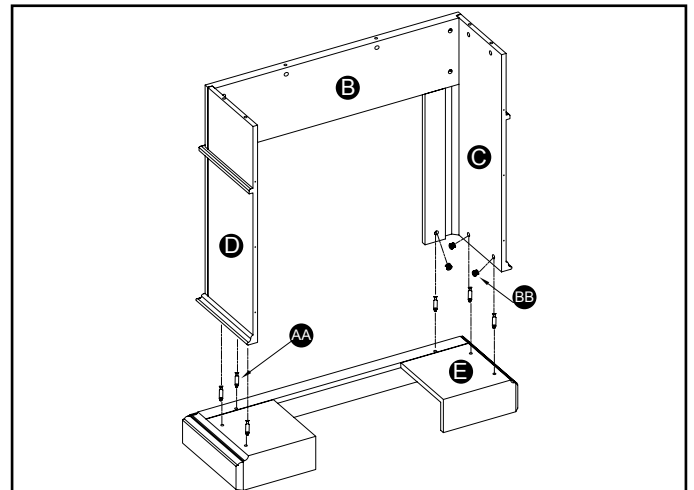


Hardware Used



2. Insert Cam Locks (BB) into Left Side Panel (C) and Right Side Panel (D). Screw in Cam Dowels (AA) into Base (E). Attach Base (E) into assembled frame (B,C,D) by tightening the Cam Locks (BB) as shown in Fig. 2.

Fig. 2



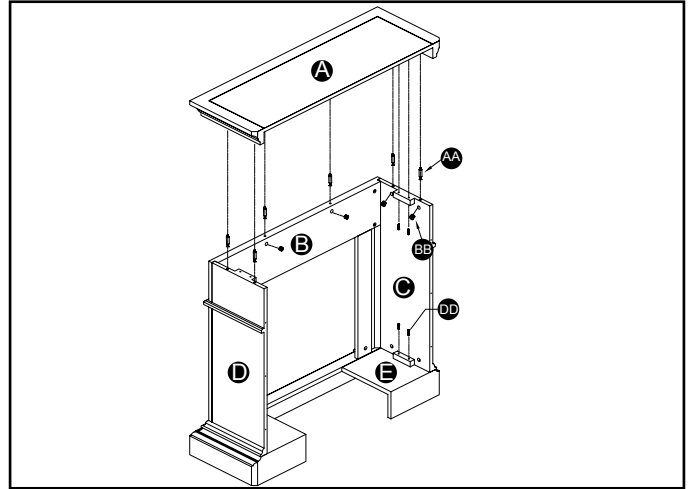
Hardware Used




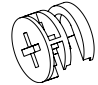
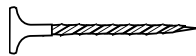
 Skip to step 5 for Corner Mantel Installation.

3. Insert Cam Locks (BB) into Left Side Panel (C), Right Side Panel (D) and Panel (B). Screw in Cam Dowels (AA) into Top (A). Attach TOP (A) into assembled frame (B,C,D,E) by tightening the Cam Locks (BB) and ST4 Screw -1 3/8 in. as shown in Fig 3.

Fig. 3

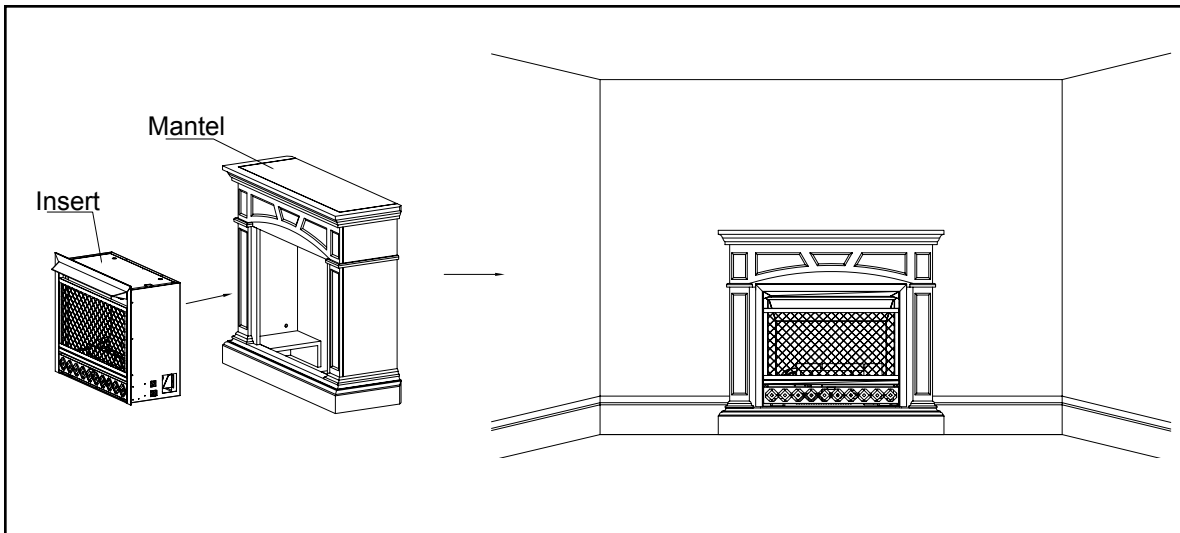


Hardware Used

AA	Cam Dowel		x6
BB	Cam Lock		x6
DD	ST4 Screw - 1 3/8 in.		x 8

4. Place insert into the mantel as shown in Fig 4.

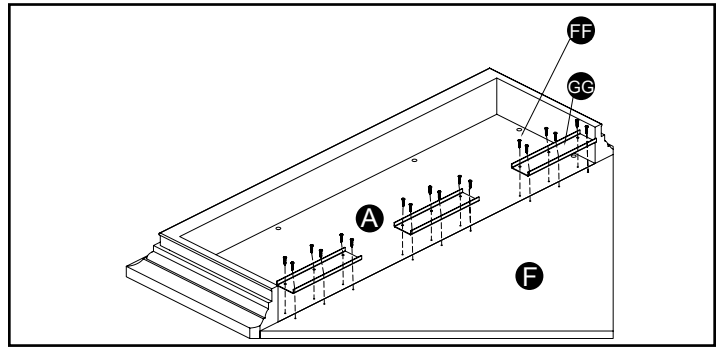
Fig. 4



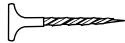
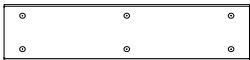
ASSEMBLY INSTRUCTIONS CONTINUED (CORNER MANTEL)

5. Turn the fireplace Top (A) Panel over. Using the Mounting Bracket (GG) brackets that are supplied, connect the Fireplace TOP (A) Panel to the Top Triangle Panel (F) with ST4 Screw -5/8 in. (FF) as shown in Fig 5.

Fig. 5

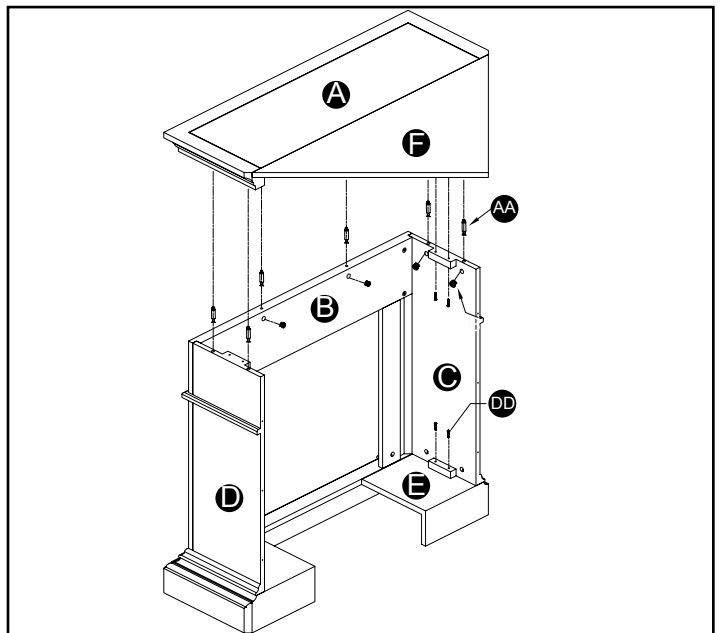


Hardware Used


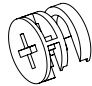
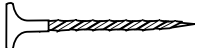
FF	ST4 Screw - 5/8 in.		x 18
GG	Mounting Bracket		x 3

6. Insert Cam Locks (BB) into Left Side Panel (C), Right Side Panel (D) and Panel (B). Screw in Cam Dowels (AA) into TOP (A). Attach assembled Top (A,F) into assembled frame (B, C, D, E) by tightening the Cam Locks (BB) and ST4 Screw -1 3/8 in. as shown in Fig 6.

Fig. 6

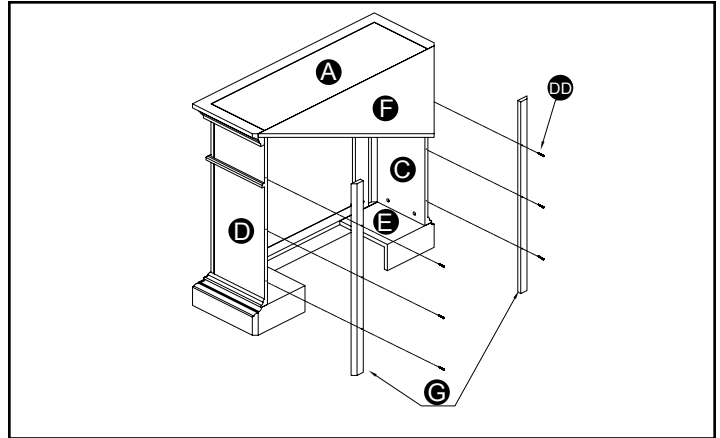


Hardware Used

AA	Cam Dowel		x 6
BB	Cam Lock		x 6
DD	ST4 Screw - 1 3/8 in.		x 8

7. Attach the left and right Backboard (G) trim pieces to the back of the fireplace with ST4 Screw - 1 3/8 in. (DD) as shown in Fig 7.

Fig. 7

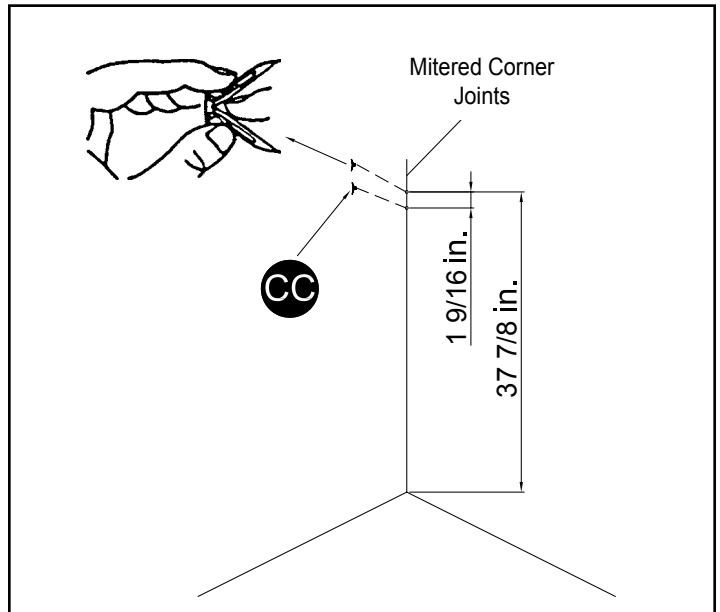


Hardware Used

DD ST4 Screw - 1 3/8 in.  x 6

8. Drill two holes (5/16 in.) in the corner where the fireplace is to be displayed. Drill the first hole 36 5/16 in. from the ground up; and the second hole 37 7/8 in. from the ground up as shown in Fig 8. Put the Wall Anchors (CC) in the holes by pinching the anchor tabs together.

Fig. 8

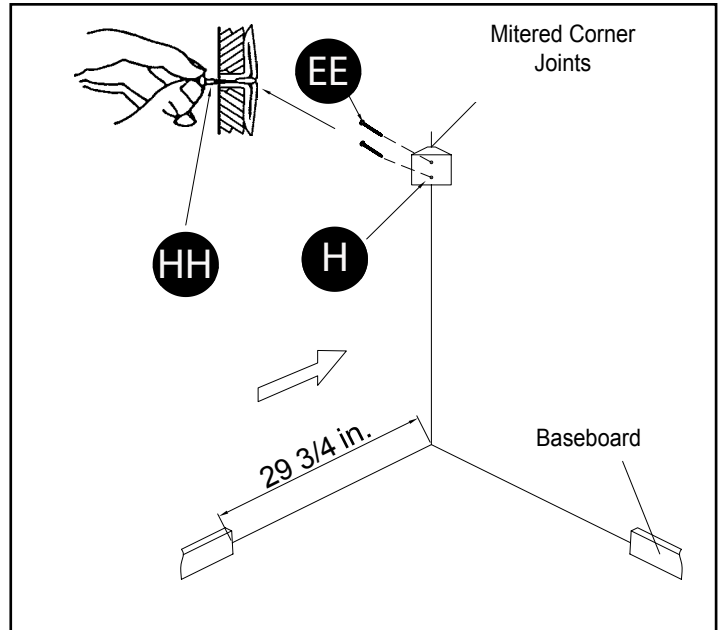


Hardware Used

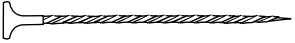
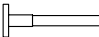
CC Wall Anchor  x2

Fig. 9

9. Attach the triangular wood block to the holes drilled in step 8 with ST4 Screw - 2 3/8 in. (EE) as shown in Fig 9. This block is used to support the Set Square Support (H). For thin walls, insert red key (HH) into wall anchor and push to "pop" open anchor wings.

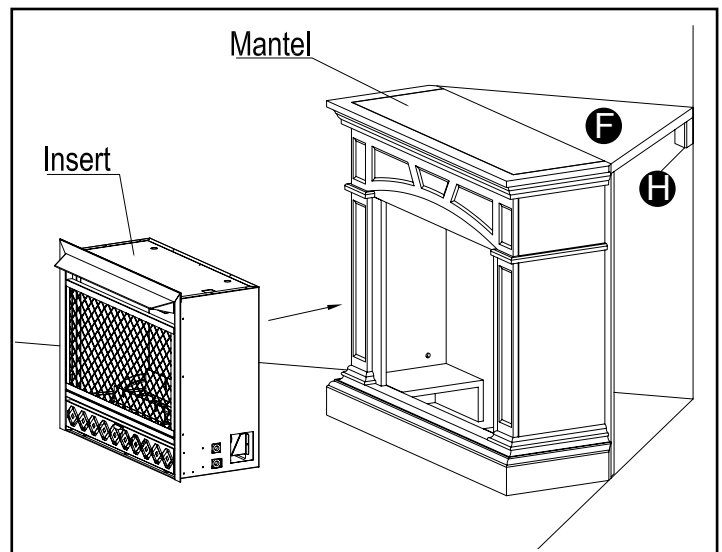


Hardware Used

EE ST4 Screw - 2 3/8 in.		x 2
HH Red Key		x 1

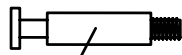
10. Push fireplace into corner so that the Top Triangle Panel (F) is resting on top of the Set Square Support (H) as shown in Fig 10.

Fig. 10



REPLACEMENT PARTS LIST

Part	Description	Part #
AA	Cam Dowel	PCAM-023
BB	Cam Lock	PCAM-023
CC	Wall Anchor	ML066 - 01
DD	ST4 Screw 1 3/8 in.	GB/T 951 - 4 x 35
EE	ST4 Screw 2 3/8 in	GB/T950 - 4.8 x 60
FF	ST4 Screw 5/8 in	GB/T 951 - 4 x 16
GG	Mounting Bracket	SJ 002
HH	Red Key	ML067 - 01



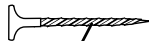
AA



BB



CC



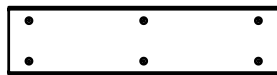
DD



EE



FF



GG



HH