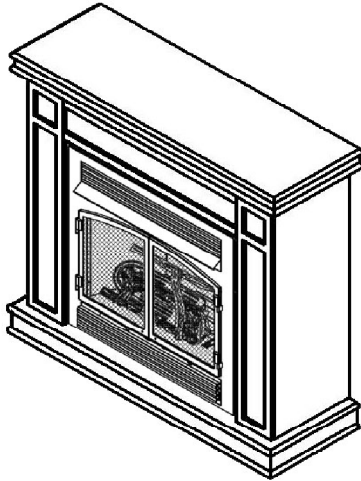


# Kozy-World®

FULL SIZE VENT-FREE  
FIREPLACE



GFN4113 & GFP4114 shown

GFN4113    GFP4114  
GFN4311    GFP4312  
GFN4227R    GFP4228R

## OWNER'S OPERATION AND INSTALLATION MANUAL

**WARNING:** If the information in this manual is not followed exactly, a fire or explosion may result causing property damage, personal injury, or loss of life.

Do not store or use gasoline or other flammable vapors and liquids in the vicinity of this or any other appliance.

### WHAT TO DO IF YOU SMELL GAS

- Do not try to light any appliance.
- Do not touch any electrical switch; do not use any phone in your building.
- Immediately call your gas supplier from a neighbor's phone. Follow the gas supplier's instructions.
- If you cannot reach your gas supplier, call the fire department.

**Installation and service must be performed by a qualified installer, service agency, or the gas supplier.**

**WARNING:** This is an unvented gas-fired heater. It uses air (oxygen) from the room in which it is installed. Provisions for adequate combustion and ventilation air must be provided. Refer to Air For Combustion and Ventilation section on page 5 of this manual.

**WARNING:** Improper installation, adjustment, alteration, service or maintenance can cause injury or property damage. Refer to this manual for correct installation and operational procedures. For assistance or additional information consult a qualified installer, service agency, or gas supplier.



World-Marketing of American, Inc.  
P.O. Box 192, Rt. 22 West  
Mill Creek, PA 17060

KOZY-WORLD PHONE NUMBER: (814) 643-1775

<http://www.worldmkting.com>

This appliance may be installed in an aftermarket\*, permanently located, manufactured (mobile) home, where not prohibited by local codes.

This appliance is only for use with the type of gas indicated on the rating plate. This appliance is not convertible for use with other gases.

\*Aftermarket: Completion of sale, not for purpose of resale, from the manufacturer.

**Consumer: Please retain these instructions for future use.**

**Installer: Please Leave these instructions with the consumer**

## Table of Contents

Important Safety Information .....	2
Air for Combustion and Ventilation.....	5
Installation.....	7
Operating Heater.....	11
Cleaning & Maintenance.....	14
Specifications.....	16
Troubleshooting.....	17
Replacement .....	18
Parts List.....	19

## IMPORTANT SAFETY INFORMATION

**IMPORTANT: Read this owner's manual carefully and completely before trying to assemble, operate, or service this heater. Improper use of this heater can cause serious injury or death from burns, fire, explosion, electrical shock, and carbon monoxide poisoning.**

**⚠ DANGER: Carbon monoxide poisoning may lead to death!**

**Carbon Monoxide Poisoning:** Early signs of carbon monoxide poisoning resemble the flu with headaches, dizziness, or nausea. If you have these signs, the heater may not be working properly. Get fresh air immediately! Have heater serviced. Some people are more affected by carbon monoxide than others. These include pregnant women, people with heart, or lung disease, anemia, those under the influence of alcohol, and those at high altitudes.

**Natural and Propane/LP Gas:** Natural and Propane/LP gas is odorless. An odor-making agent is added to the gas. The odor helps you detect a gas leak. However, the odor added to the gas can fade. Gas may be present even though no odor exists.

Make certain you read and understand all warnings. Keep this manual for reference. It is your guide to safe and proper operation of this heater.

**⚠ WARNING:** Any change to this fireplace or its controls can be dangerous.

**⚠ WARNING:** Do not allow fans to blow directly into the heater. Avoid any drafts that alter burner flame patterns. Ceiling fans can create drafts that alter burner flame patterns. Altered burner patterns can cause sooting.

**⚠ WARNING:** Do not use a blower insert, heat exchanger insert, or other accessory not approved for use with this heater.

Due to high temperatures, the appliance should be located out of traffic and away from furniture and draperies.

Do not place clothing or other flammable material on or near the appliance. Never place any objects in the fireplace.

Heater becomes very hot when running fireplace. Keep children and adults away from hot surfaces to avoid burns or clothing ignition. Fireplace will remain hot for a time after shutdown. Allow surfaces to cool before touching.

Carefully supervise young children when they are in the room with fireplace.

You must operate this heater with the heater screen in place. Make sure heater screen is in place before running heater.

Keep the appliance area clear and free from combustible materials, gasoline, and other flammable vapors and liquids.

### WARNING

Models GFN4113, GFN2311, GFN4227R are equipped for Natural gas. Field conversion is not permitted.

Models GFP4114, GFP4312, GFP4228R are equipped for Propane gas. Field conversion is not permitted.

1. This appliance is only for use with the type of gas indicated on the rating plate. This appliance is not convertible for use with other gases.
2. Do not place Propane/LP supply tank(s) inside any structure. Locate Propane/LP supply tank(s) outdoors.
3. If you smell gas
  - Shut off gas supply.
  - Do not try to light any appliance.
  - Do not touch any electrical switch: do not use any phone in your building.
  - Immediately call your gas supplier from a neighbor's phone. Follow the gas supplier's instructions.
  - If you cannot reach your gas supplier, call the fire department. and to replace any part of the control system, and any gas control, which has been under water.
4. This heater shall not be installed in a bedroom or bathroom.
5. Do not use this heater as a wood-burning heater. Use only the logs provided with the heater.
6. Do not add extra logs or ornaments such as pine cones, vermiculite, or rock wool. Using these added items can cause sooting. Do not add lava rock around base. Rock and debris could fall into the control area of heater. After servicing, always replace screen before operating heater.
7. You must operate this heater with sure heater screen is in place before running heater.

## SAFETY INFORMATION

### Continued

8. This heater is designed to be smokeless. If logs ever appear to smoke, turn off heater and call a qualified service person.  
Note: During initial operation, slight smoking could occur due to log curing and heater burning manufacturing residues.
9. To prevent the creation of soot, follow the instructions in *Cleaning and Maintenance* (page 12).
10. Before using furniture polish, wax, carpet cleaner, or similar products, turn heater off. If heated, the vapors from these products may create a white powder residue within burner box or on adjacent walls or furniture.
11. This heater needs fresh air ventilation to run properly. This heater has an Oxygen Depletion Sensing (ODS) safety shutoff system. The ODS shuts down the heater if not enough fresh air is available. See *Air for Combustion and Ventilation*, pages 5 through 6. If heater keeps shutting off, see *Troubleshooting*, pages 14 through 15.
12. Do not run heater:
  - Where flammable liquids or vapors are used or stored.
  - Under dusty conditions.
13. Do not use this heater to cook food or burn paper or other objects.
14. Do not use this heater if any part has been under water. Immediately call a qualified service technician to inspect the room heater.
15. Turn off and unplug heater and let cool before servicing. Only a qualified service person should service and repair heater.
16. Operating heater above elevations of 4,500 feet could cause pilot outage.

17. Do not operate heater if any log is broken. Do not operate heater if any log is chipped (dime-sized or larger).
18. To prevent performance problems, do not use propane/LP fuel tank of less than 100 lbs. capacity.

### QUALIFIED INSTALLING AGENCY

Installation and replacement of gas piping, gas utilization equipment or accessories and repair and servicing of equipment shall be performed only by a qualified agency. The term "qualified agency" means any individual, firm, corporation, or company that either in person or through a representative is engaged in and is responsible for (a) the installation, testing, or replacement of gas piping or (b) the connection, installation, testing, repair, or servicing of equipment; that is experienced in such work; that is familiar with all precautions required, and that has complied with all the requirements of the authority having jurisdiction.

## PRODUCT FEATURES

### SAFETY PILOT

This heater has a pilot with an Oxygen Depletion Sensing (ODS) safety shutoff system. The ODS/pilot shuts off the heater if there is not enough fresh air.

### MANUAL OVERRIDE CONTROL SYSTEM (GFN4227R and GFP4228R)

This heater has two operation functions: Remote Control and Manual Override Control. The Remote Control has a transmitter, provided which requires three "AAA" batteries and electric power outlet to in the event of a power outage, then you can operate the heater by manual override.

The ignitor requires one "AAA" battery.

**State of Massachusetts:** The installation must be made by a licensed plumber or gas fitter in the Commonwealth of Massachusetts.

Sellers of unvented propane or natural gas-fired supplemental room heaters shall provide to each purchaser a copy of 527 CMR 30 upon sale of the unit.

In the state of Massachusetts, unvented propane or natural gas-fired space heaters shall be prohibited in bedrooms and bathrooms.

**In the State of Massachusetts the gas cock must be a "T" handle type. The State of Massachusetts requires that a flexible appliance connector cannot exceed three feet in length.**

## LOCAL CODES

Install and use heater with care. Follow all local codes. In the absence of local codes, use the latest edition of The National Fuel Gas Code, ANSI Z 223.1, also known as NFPA 54\*.

\*Available from:

American National Standards Institute, Inc.

1430 Broadway  
New York, NY 10018

National Fire Protection Association, Inc.

Batterymarch Park  
Quincy, MA 02269

This heater is designed for vent-free operation. State and local codes in some areas prohibit the use of vent-free heaters.

## UNPACKING

1. Remove top inner pack.
2. Tilt carton so that fireplace is upright.
3. Remove protective side packaging.
4. Slide fireplace out of carton.
5. Remove protective plastic wrap.
6. Hold the screen lift and pulling forward.
7. Remove log set by cutting plastic ties.
8. Carefully unwrap log.
9. Check for any shipping damage. If stove or log is damaged, promptly inform dealer where you bought stove.

## PRODUCT IDENTIFICATION

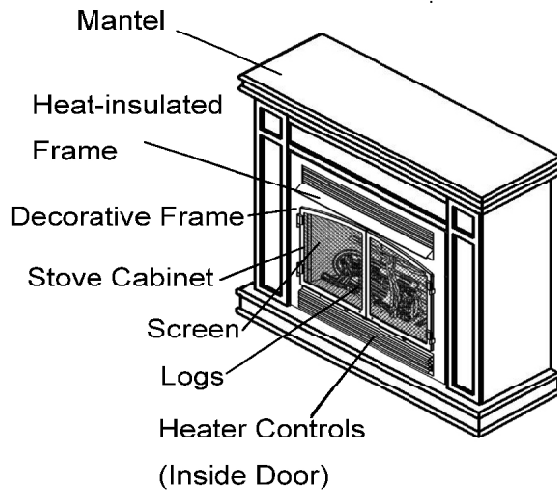


Figure1- Vent Free LP/NG Gas Stove

### **WATER VAPOR: A BY-PRODUCT OF UNVENTED ROOM HEATERS**

Water vapor is a by-product of gas combustion. An unvented room heater produces approximately one(1) ounce (30ml) of water for every 1,000 BTU's(.3KW's)of gas input per hour.

Unvented room heaters are recommended as supplemental heater(a room). Rather than a primary heat source (an entire house). In most supplemental heat applications, the water vapor does not create a problem. In most applications,the water vapor enhances the low humidity atmosphere experienced during cold weather.The following steps will help insure that water vapor does not become a problem.

- 1.Be sure the heater is a sized properly for the application, including ample combustion air and circulation air.
- 2.If high humidity is experienced,dehumidifier may be used to help lower the water vapor content of the air.
- 3.Do not use an unvented room heater as the primary heat source.

# AIR FOR COMBUSTION AND VENTILATION

**⚠ WARNING:** This heater shall not be installed in a confined space or unusually tight construction unless provisions are provided for adequate combustion and ventilation air. Read the following instructions to insure proper fresh air for this another fuel-burning appliances in your home.

## PROVIDING ADEQUATE VENTILATION

The following are excerpts from *National Fuel Gas Code, NFPA 54/ANSI Z 223.1, Section 5.3, Air for Combustion and Ventilation*.

All spaces in homes fall into one of the three following ventilation classifications:

1. Unusually Tight Construction
2. Unconfined Space
3. Confined Space

The information on pages 5 through 6 will help you classify your space and provide adequate ventilation.

### Confined and Unconfined Space

*The National Fuel Gas Code, ANS Z223.1* defines a confined space as a space whose volume is less than 50 cubic feet per 1,000 Btu per hour (4.8 m<sup>3</sup> per kw) of the aggregate input rating of all appliances installed in that space and an unconfined space as a space whose volume is not less than 50 cubic feet per 1,000 Btu per hour (4.8 m<sup>3</sup> per kw) of the aggregate input rating of all appliances installed in that space. Rooms communicating directly with the space in which the appliances are installed\*, through openings not furnished with doors, are considered a part of the unconfined space.

This heater shall not be installed in a confined space or unusually tight construction unless provisions are provided for adequate combustion and ventilation air.

\* Adjoining rooms are communicating only if there are doorless passageways or ventilation grills between them.

### Unusually Tight Construction

The air that leaks around doors and windows may provide enough fresh air for combustion and ventilation. However, in buildings of unusually tight construction, you must provide additional fresh air.

Unusually tight construction is defined as construction where:

- a) walls and ceilings exposed to the outside atmosphere have a continuous water vapor retarder with a rating of one perm ( $6 \times 10^{-11}$  kg per pa-sec-m<sup>2</sup>) or less with openings gasketed or sealed and
- b) weather stripping has been added on windows that can be opened and doors and
- c) caulking or sealants are applied to areas such as joints around window and door frames, between sole plates and floors, between wall-ceiling joints, between wall panels, at penetrations for plumbing, electrical, and gas lines, and at other openings.

If your home meets all of the three criteria above, you must provide additional fresh air. See *Ventilation Air From Outdoors* (page 6).

If your home does not meet all of the three criteria above, proceed to *Determining Fresh-Air Flow For Heater Location* (below).

## DETERMINING FRESH-AIR FLOW FOR HEATER LOCATION

### Determining if You Have a Confined or Unconfined Space

Use this worksheet to determine if you have a confined or unconfined space.

**Space:** Includes the room in which you will install heater plus any adjoining rooms with doorless passageways or ventilation grills between the rooms.

1. Determine the volume of the space (length×width×height).

Length×Width×Height=\_\_\_\_\_cu.ft. (volume of space)

*Example:* Space size 20ft. (length)×16ft.(width)×8ft. (ceiling height)=2560cu. ft. (volume of space)

If additional ventilation to adjoining room is supplied with grills or openings, add the volume of these rooms to the total volume of the space.

2. Divide the space volume by 50 cubic feet to determine the maximum Btu/Hr the space can support.

\_\_\_\_\_(volume of space)÷50 cu. ft.=(Maximum Btu/Hr the space can support)

*Example:* 2560 cu. ft. (volume of space)÷50 cu.ft.=51.2 or 51,200(maximum Btu/Hr the space can support)

3. Add the Btu/Hr of all fuel burning appliances in the space.

Vent-free heater	_____	Btu/Hr
Gas water heater*	_____	Btu/Hr
Gas furnace	_____	Btu/Hr
Vented gas heater	_____	Btu/Hr
Gas heater logs	_____	Btu/Hr
Other gas appliances* +	_____	Btu/Hr
Total	= _____	Btu/Hr

Example:

Gas water heater	30,000	Btu/Hr
Vent-free heater	+ 26,000	Btu/Hr
Total	= 56,000	Btu/Hr

\*Do not include direct-vent gas appliances. Direct-vent draws combustion air from the outdoors and vents to the outdoors.

4. Compare the maximum Btu/Hr the space can support with the actual amount of Btu/Hr used.

\_\_\_\_\_ Btu/Hr (maximum the space can support)

\_\_\_\_\_ Btu/Hr (actual amount of Btu/Hr used)

*Example* : 51,200 Btu/Hr(maximum the space can support)

56,000 Btu/Hr(actual amount of Btu/Hr used)

The space in the above example is a confined space because the actual Btu/Hr used is more than the maximum Btu/Hr the space can support.

You must provide additional fresh air. Your options are as follows:

A. Rework worksheet, adding the space of an adjoining room. If the extra space provides an unconfined space, remove door to adjoining room or add ventilation grills between rooms. See *Ventilation Air From Inside Building (below)*.

B. Vent room directly to the outdoors. See *Ventilation Air From Outdoors (below)*.

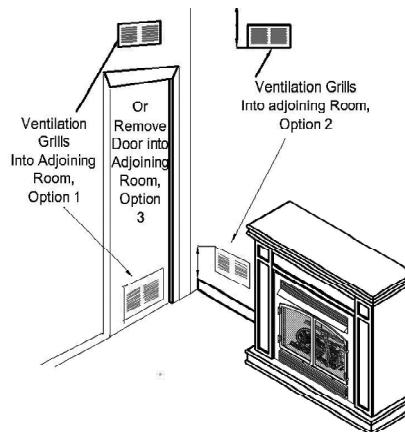
C. Install a lower Btu/Hr heater, if lower Btu/Hr size makes room unconfined.

If the actual Btu/Hr used is less than the maximum Btu/Hr the space can support, the space is an unconfined space. You will need no additional fresh air ventilation.

**⚠ WARNING:** If the area in which the heater may be operated is smaller than that defined as an unconfined space or if the building is of unusually tight construction, provide adequate combustion and ventilation air by one of the methods described in the *National Fuel Gas Code, ANSI Z223.1, Section 5.3* or applicable local codes.

### Ventilation Air From Inside Building

This fresh air would come from an adjoining unconfined space. When ventilating to an adjoining unconfined space, you must provide two permanent openings: one within 12" of the ceiling and one within 12" of the floor on the wall connecting the two spaces (see options 1 and 2, Figure 2). You can also remove door into adjoining room (see option 3, Figure 2). Follow the *National Fuel Gas Code, NFPA 54/ANSI Z223.1, Section 5.3, Air for Combustion and Ventilation* for required size of ventilation grills or ducts.



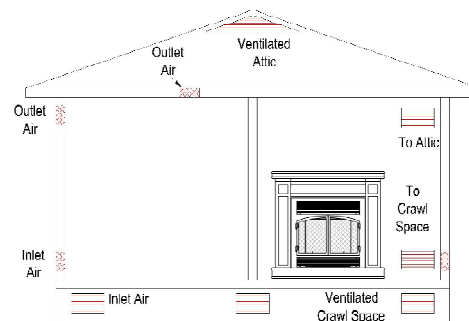
**Figure 2-Ventilation Air from Inside Building**

### Ventilation Air From Outdoors

Provide extra fresh air by using ventilation grills or ducts. You must provide two permanent openings: one within 12" of the ceiling and one within 12" of the floor. Connect these items directly to the outdoors or spaces open to the outdoors. These spaces include attics and crawl spaces. Follow the *National Fuel Gas Code, NFPA 54/ANSI Z223.1, Section 5.3, Air for Combustion and Ventilation* for required size of ventilation grills or ducts.

**IMPORTANT:** Do not provide openings for inlet or outlet air into attic if attic has a thermostat-controlled power vent. Heated air entering the attic will activate the power vent.

**⚠ WARNING:** Rework worksheet, adding the space of the adjoining unconfined space. The combined spaces must have enough fresh air to supply all appliances in both spaces.



**Figure 3-Ventilation Air from Outdoors**

## INSTALLATION

**⚠ NOTICE:** This heater is intended for use as supplemental heat. Use this heater along with your primary heating system. Do not install this heater as your primary heat source. If you have a central heating system, you may run system's circulating blower while using heater. This will help circulate the heat throughout the house.

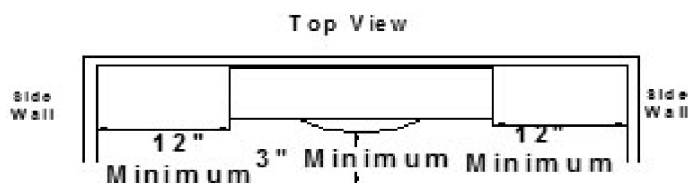
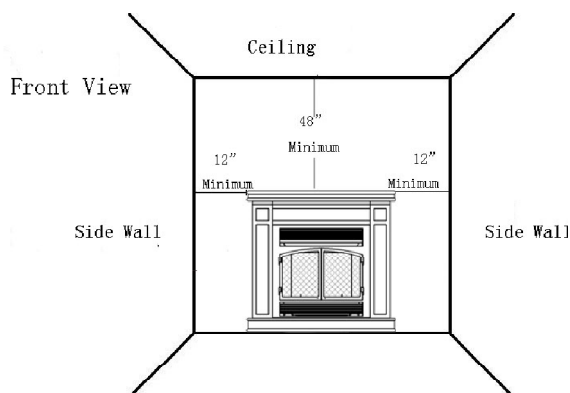
**⚠ WARNING:** A qualified technician person must install heater. Follow all local codes.

**⚠ WARNING:** Never install the heater

- in a bedroom or bathroom
- in a recreational vehicle
- where curtains, furniture, clothing, or other flammable objects are less than 42 inches from the front, top, or sides of the heater
- in high traffic areas
- in windy or drafty areas

**⚠ CAUTION:** This heater creates warm air currents. These currents move heat to wall surfaces next to heater. Installing heater next to vinyl or cloth wall coverings or operating heater where impurities (such as tobacco smoke, aromatic candles, cleaning fluids, oil or kerosene lamps, etc.) in the air exist, may discolor walls.

**⚠ WARNING:** Maintain the minimum clearances. If you can, provide greater clearances from floor, ceiling, and adjoining side and back walls.



**Figure 4 - Minimum Clearance to Wall and Ceiling**

**IMPORTANT:** Vent-free heaters add moisture to the air. Although this is beneficial, installing heater in rooms without enough ventilation air may cause mildew to form from too much moisture. See Air for Combustion and Ventilation, pages 5 through 6.

### CHECK GAS TYPE

Use only the type of gas indicated on the plate. If your gas supply can not meet that requirement, do not install heater. Call the dealer where you purchased heater, for the proper type of heater.

### CLEARANCES TO COMBUSTIBLES (Vent-Free Operation Only)

Carefully follow the instructions below. This fireplace is a freestanding unit designed to set directly on the floor.

**IMPORTANT:** You must maintain minimum wall and ceiling clearances during installation. The minimum clearances are shown in Figure 4. Measure from outermost point of stove top.

### Minimum Wall and Ceiling Clearances (see Figure 4)

- A. Clearances from outermost point of stove top to any combustible side wall should not be less than 12 inches.
- B. Clearances from the stove top to the ceiling should not be less than 48 inches.

# INSTALLATION

## Continued

### CONNECTING TO GAS SUPPLY

**⚠ WARNING:** A qualified technician must connect heater to gas supply. Follow all local codes.

**⚠ CAUTION:** Never connect heater directly to the gas supply. This heater requires an external regulator (not supplied). Install the external regulator between the heater and gas supply.

#### INSTALLATION ITEMS NEEDED

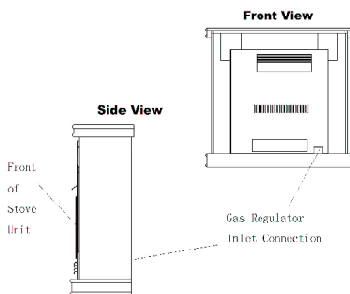
Before installing heater, make sure you have the items listed below.

- piping (check local codes)
- sealant (resistant to propane/LP gas)
- equipment shutoff valve\*
- test gauge connection\*\*
- sediment trap
- tee joint
- pipe wrench
- Flexible Gas hose (check local code)

\* A CSA design-certified equipment shutoff valve with 1/8" NPT tap is an acceptable alternative to test gauge connection. Purchase the optional CSA design-certified equipment shutoff valve from your dealer. See Accessories.

**⚠ WARNING:** Never connect heater to private (non-utility) gas wells. This gas is commonly known as wellhead gas.

**Front View**

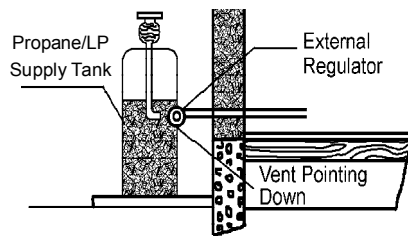


**Figure 5-Gas Regulator Location and Gas Line Access Into Stove Cabinet**

The installer must supply an external regulator. The external regulator will reduce incoming gas pressure. You must reduce incoming gas pressure to between 11 and 14 inches of water. If you do not reduce incoming gas pressure, heater regulator damage could occur. Install external regulator with the vent pointing down as shown in Figure 6. Pointing the vent down protects it from freezing rain or sleet.

**⚠ CAUTION:** Only use a new black iron or steel pipe. Internally-tinned copper tubing may be used in certain areas. Check your local codes. Use pipe of 1/2" diameter or greater to allow proper volume gas to heater. If pipe is too small, undue loss of pressure will occur.

Installation must include an equipment shutoff valve, union, and plugged 1/8" NPT tap. Locate NPT tap within reach for test gauge hook up. NPT tap must be upstream from heater (see Figure 7).



**Figure 6-External Regulator With Vent Pointing Down**

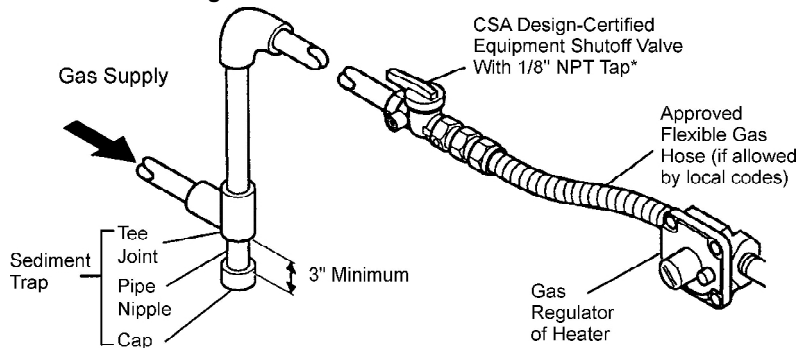
**IMPORTANT:** Install equipment shutoff valve in an accessible location. The equipment shutoff valve is for turning on or shutting off the gas to the appliance. Apply pipe joint sealant lightly to male threads. This will prevent excess sealant from going into pipe. Excess sealant in pipe could result in clogged heater valves.

**⚠ CAUTION:** Use pipe joint sealant that is resistant to gas (PROPANE or NG).

We recommend that you install a sediment trap in a supply line as shown in Figure 7. Locate sediment trap where it is within reach for cleaning. Install in the piping system between fuel supply and heater. Locate sediment trap where trapped matter is not likely to freeze. A sediment trap traps moisture and contaminants. This keeps them from going into heater controls. If sediment trap is not installed or is installed incorrectly, heater may not run properly.

**⚠ CAUTION:** Avoid damage to regulator. Hold gas regulator with wrench when connecting into gas piping and/or fittings.

**NG Models:**  
5" to 10.5" W.C.  
Gas supplier provide external regulator for natural gas



**Figure 7-Gas Connection**

\* Purchase the optional CSA design-certified equipment shutoff valve from your dealer. See Accessories.

\*\* Minimum inlet pressure for purpose of input adjustment.



# INSTALLATION

*Continued*

## CHECKING GAS CONNECTIONS

**⚠ WARNING:** Test all gas piping and connections for leaks after installing or servicing. Correct all leaks immediately.

**⚠ WARNING:** Never use an open flame to check for a leak. Apply a mixture of liquid soap and water to all joints. Bubbles forming show a leak. Correct all leaks immediately.

**⚠ CAUTION:** Make sure external regulator has been installed between gas supply and heater. See guidelines under *Connecting to Gas Supply* (page 8).

### Pressure Testing Gas Supply Piping System

#### Test Pressures In Excess Of 1/2 PSIG(3.5kPa)

1. Disconnect heater with its appliance main gas valve (control valve) and equipment shutoff valve from gas supply piping system. Pressures in excess of 1/2 psig will damage heater regulator.
2. Cap off open end of gas pipe where equipment shutoff valve was connected.
3. Pressurize supply piping system by either using compressed air or opening gas supply tank valve.
4. Check all joints of gas supply piping system. Apply mixture of liquid soap and water to gas joints. Bubbles forming show a leak.
5. Correct all leaks immediately.
6. Reconnect heater and equipment shutoff valve to gas supply. Check reconnected fittings for leaks.

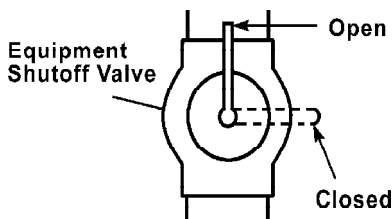


Figure 8 -Equipment Shutoff Valve

### Pressure Testing Heater Gas Connections

1. Open equipment shutoff valve (see Figure 8).
2. Open gas supply tank valve.
3. Make sure control knob of heater is in the OFF position.
4. Check all joints from equipment shutoff valve to control valve (Figure 9). Apply mixture of liquid soap and water to gas joints. Bubbles forming show a leak.
5. Correct all leaks immediately.
6. Light heater (see *Operating Heater*, page 11). Check all other internal joints for leaks.
7. Turn off heater (see *Operation of Turn-Off*, page 11).

#### Test Pressures Equal To or Less Than 1/2 PSIG(3.5 kPa)

1. Close equipment shutoff valve (see Figure 8).
2. Pressurize supply piping system by either using compressed air or opening gas supply tank valve.
3. Check all joints from gas meter to equipment shutoff valve(see Figure 9). Apply mixture of liquid soap and water to gas joints. Bubbles forming show a leak.
4. Correct all leaks immediately.

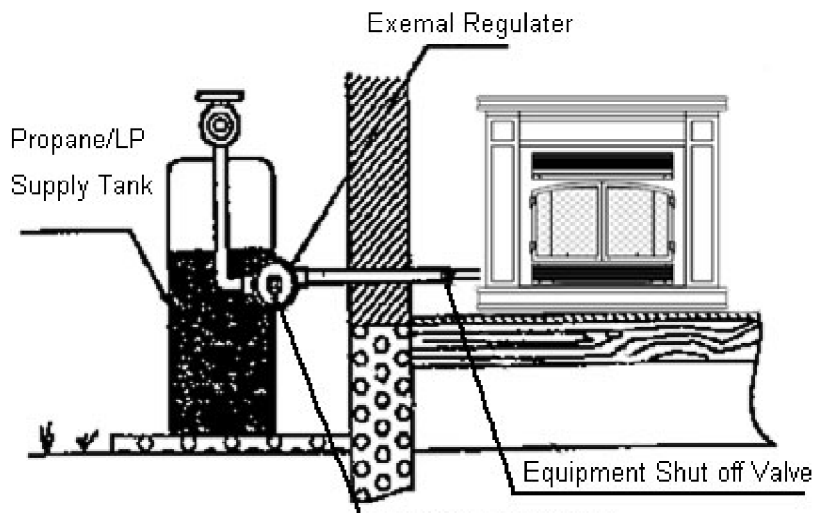


Figure 9 -Checking Gas Joints

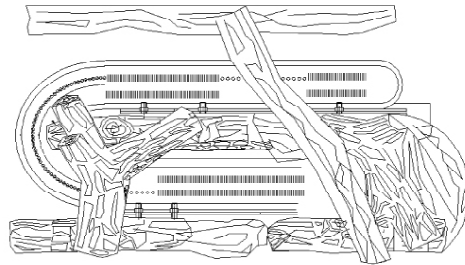
# INSTALLATION

*Continued*

## INSTALLING LOGS

**⚠ WARNING:** Failure to position the parts in accordance with these diagrams or failure to use only parts may result in property damage or personal injury.

**⚠ CAUTION:** After installation and periodically thereafter, check to ensure that no flame comes in contact with any log. With the heater set to High, check to see if flames contact any log. If so, reposition logs according to the log installation instructions in this manual. Flames contacting logs will create soot.



**Figure 10-Installing Log Set**

**IMPORTANT:** Make sure log does not cover any burner ports (see Figure 10). It is very important. To install the logs exactly as instructed. Do not modify logs. Only use logs supplied wall heater.

**FIG(1)**



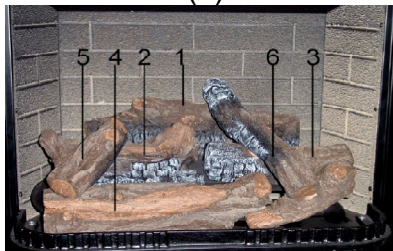
1. All logs. See FIG(1).

**FIG(3)**



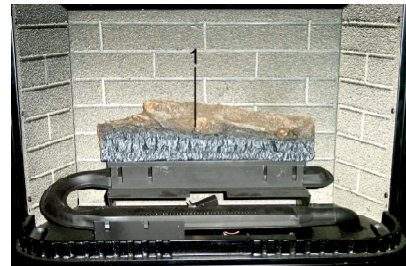
STEP 2: Install log 2 onto the two slots in the left middle plate. Install log 3 onto the two slots in the right middle plate.

**FIG(5)**



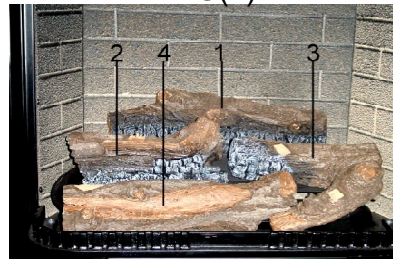
STEP 4: Insert the recessed hole on the bottom of log 5 onto the pin on log 2, with the front of log 5 placed on flat surface of log 4. Insert pin on bottom of log 6 into hole in log 3, with the front of log 6 placed on flat surface of log 3

**FIG(2)**



STEP 1: Install log 1 onto the two slots in the rear plate as shown.

**FIG(4)**



STEP 3: Install log 4 onto the two slots in the front plate.

## OPERATING HEATER

### FOR YOUR SAFETY

#### 4227R and 4228R Series Models

**WARNING:** If you do not follow these instructions exactly, a fire or explosion may result causing property damage, personal injury or loss of life.

**NOTICE:** During initial operation of new fireplace, burning logs will give off a paper-burning smell. Orange flame will also be present. Open a window to vent smell. This will only last a few hours.

**CAUTION:** Do not try to adjust heating levels by using the equipment shutoff valve.

A. This appliance has a pilot which must be lighted by control system. When lighting the pilot, follow these instructions exactly.

B. BEFORE LIGHTING smell all around the appliance area for gas. Be sure to smell next to the floor because some gas is heavier than air and will settle on the floor.

#### WHAT TO DO IF YOU SMELL GAS

- Do not try to light any appliance.
- Do not touch any electrical switch; do not use any phone in your building.
- Immediately call your gas supplier from a neighbor's phone.
- Follow the gas supplier's instructions.
- If you cannot reach your gas supplier, call the fire department.

C. Use only your hand to push in control knob. Never use tools. If the the appliance could not operate, don't try to repair it, Call a qualified service technician or gas supplier. Forced or attempted re-pair may result in a fire or explosion.

D. Do not use this appliance if any part has been under water. Immediately call a qualified service technician to inspect the appliance and to replace any part of the control system and any gas control which has been under water.

**Note:** To operate your heater the ON/OFF switch on front of heater must be in the ON position. The RED light on the front of heater indicates there is electrical power to your heater when the ON/OFF switch is in the ON position. The GREEN light on the front of heater indicates the pilot light is ON. (See Figure 11)

**Note:** Please wait one minute after shutting off fireplace to allow the electronic module to reset before starting again.

### LIGHTING INSTRUCTIONS

**Note: If operating by remote control, you must set the Control Knob on ELECTRIC position.**

**Do not set the control knob between the locked position, otherwise there will be no power to the heater.**

1. STOP! Read the safety information, page 2.
2. Make sure equipment shutoff valve is fully open.

#### Function of power ON/OFF switch.

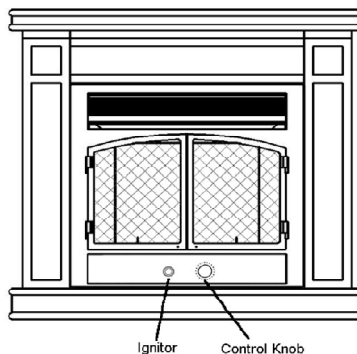


Figure 11 - ON/OFF Switch location

### OPERATIONS OF REMOTE TRANSMITTER

1. Install three AAA batteries in the battery holder. The initial start-up on the LCD is: SET TEMP is 85°F, ROOM TEMP is 85°F, and fan is on "AUTO" select.

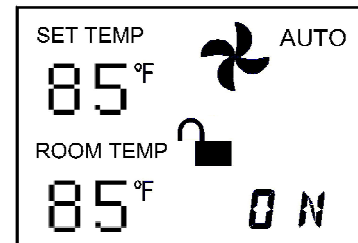


Fig 12 Initial start-up display

2. When in operation, point the remote transmitter to the remote receiver on the front of fireplace at a maximum distance of 20 feet without any obstruction between them.

### OPERATIONS OF BURNER

1. Before plugging into the outlet make sure that the appliance is connected to the gas supply. Plug fireplace into a properly grounded 120 Volt, 60Hz, 15 amp outlet. You will hear a high pitch sound and power light (red) on the door will be lit that indicates that the burner is ready to be operated.
2. Point the remote transmitter to the burner. Press IGN/OFF button, the electric spark starts igniting the pilot and then the burner. Wait five (5) minutes to clear out any air. If you smell gas. STOP! Please check the gas connection. The green operation light on the front of fireplace will be lit when pilot and burner are on.

**Note:** The main burner does not respond immediately to the set temperature until about one minute later.

3. To shut off, press IGN/OFF button on remote or on front of fireplace.
- Note:** The pilot will also shut off.

## OPERATING HEATER

*Continued*

**a. Set temperature:** Press “Temp” button, then press ▲ or ▼ to set desired room temperature. Burner will operate to maintain set room temperature.

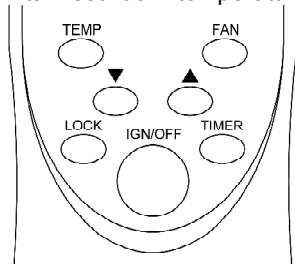


Fig13 Control board

**b. Set blower:** Press “FAN” button. The blower will shift between “AUTO” and “OFF” option.

When “FAN” is in “AUTO” select: the blower will be operating depend on the temperature inside the heater. and automatically turn ON or OFF.

When Fan is in “OFF” select the blower will not operate.

### OPERATIONS OF TIMER

**Auto off:** when the burner is in operation, press TIMER button. Then press ▲ or ▼ to change to the scheduled time, then press the TIMER button again, the TIMER starts timing and the TIMER will flash and the green operation light flashes. Burner will automatically shut off at set time.

### LOCKING REMOTE CONTROL

( child proof )

- To Lock:** Press LOCK button , a symbol will appear on control board.
- To Unlock:** Press LOCK button and hold until lock image shows unlocked (typically 6 secs.).

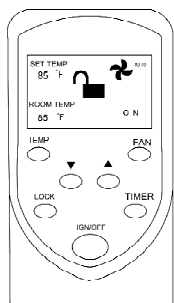


Fig14 “AUTO” select

### MANUAL OVERRIDE CONTROL SYSTEM OPERATING INSTRUCTIONS

**We provide the manual override control system in the event of power outage.**

#### Install battery for manual Ignitor:

- Unscrew the ignitor cap.
- Insert a AAA type battery with its anode (“+”) pointing out.
- Screw the ignitor cap back.

**Note:** We recommend that the battery be taken out of the ignitor when the power supply resumes.

#### LIGHTING INSTRUCTIONS

**If power is off, you can operate the fireplace manually.**

- STOP! Read the safety information on page 11.
- Check that gas supply to heater is on.
- Open bottom front access panel.
- With Control Knob in the on ELECTRIC position, press in the Control Knob and turn counterclockwise to OFF position.

**NOTE:** Knob cannot be turned from PILOT/IGN to “OFF” unless knob is pushed in slightly. Do not force.

- Wait five (5) minutes to clear out any gas. Then smell for gas, including near the floor. If you smell gas, **STOP!** Follow “B” in the safety information on page 11. If you do not smell gas, go to the next step.

- Push in gas control slightly and turn counterclockwise to PILOT/IGN and depress for five (5) seconds.

**NOTE:** The first time that the heater is operated after connecting the gas supply, the control knob should be depressed for about thirty (30) seconds. This will allow air to bleed from the gas system.

- With Control Knob pressed in, push ignitor button. This will light the pilot. If needed, keep ignitor button until pilot lights.

- Keep Control Knob depressed for ten (10) seconds after lighting pilot. If pilot goes out, repeat steps 6, 7 and 8.

- Turn counterclockwise to “ON” position. Do not operate between locked positions.

### TO TURN OFF GAS TO APPLIANCE

#### Shut off heater

Push in gas Control Knob slightly and turn clockwise to the OFF position. Do not force.

When electric power is available and electric operation is desired, turn clockwise to OFF position for one minute to allow the electronic module to reset before starting. Then press down knob and rotate clockwise to ELECTRIC position. Do not operate between locked positions.

### MANUAL LIGHTING PROCEDURE (match light)

- Open front door.
- Follow steps 1 through 5 under *MANUAL OPERATING Lighting Instructions*.
- With Control Knob in PILOT/IGN position, strike match, and hold near pilot. Press in Control Knob, pilot should light.
- Keep Control Knob pressed in for 30 seconds after lighting pilot. After 30 seconds, release Control Knob. Follow step 9 under *MANUAL OVERRIDE CONTROL SYSTEM OPERATING INSTRUCTIONS*.

#### INSPECTING BURNERS

Check pilot flame pattern and burner flame patterns often.

### TO TURN OFF GAS TO APPLIANCE

#### Shut off heater

- Press the IGN/OFF button.(see figure 15)
- Set the ON/ OFF Switch position or unplug the electric power to the heater.

## OPERATING HEATER

### FOR YOUR SAFETY

**⚠ WARNING:** If you do not follow these instructions exactly, a fire or explosion may result causing property damage, personal injury or loss of life.

**⚠ NOTICE:** During initial operation of new fireplace, burning logs will give off a paper-burning smell. Orange flame will also be present. Open a window to vent smell. This will only last a few hours.

**⚠ CAUTION:** Do not try to adjust heating levels by using the equipment shutoff valve.

- A. This appliance has a pilot which must be lighted by control system, When lighting the pilot, follow these instructions exactly.
- B. BEFORE LIGHTING smell all around the appliance area for gas. Be sure to smell next to the floor because some gas is heavier than air and will settle on the floor.

#### WHAT TO DO IF YOU SMELL GAS

- Do not try to light any appliance.
  - Do not touch any electrical switch; do not use any phone in your building.
  - Immediately call your gas supplier from a neighbor's phone. Follow the gas supplier's instructions.
  - If you cannot reach your gas supplier, call the fire department.
- C. Use only your hand to push in control knob. Never use tools. If the appliance could not operate, don't try to repair it. Call a qualified service technician or gas supplier. Forced or attempted repair may result in a fire or explosion.
- D. Do not use this appliance if any part has been under water. Immediately call a qualified service technician to inspect the appliance and to replace any part of the control system and any gas control which has been under water.

### LIGHTING INSTRUCTIONS

1. STOP! Read the safety information, page 2.
2. Make sure equipment shutoff valve is fully open.
3. Turn control knob clockwise ↻ to the OFF position.
4. Wait five (5) minutes to clear out any gas. Then smell for gas, including near the floor. If you smell gas, STOP! Follow "B" in the safety information, page 2. If you don't smell gas, go to the next step.
5. Turn control knob counterclockwise ↻ to the PILOT position. Press in control knob for five seconds .

**Note:** You may be running this fireplace for the first time after hooking up to gas supply. If so, the control knob may need to be pressed in for 30 seconds or less. This will allow air to bleed from the gas system.6. With control knob pressed in, press and release ignitor button. This will light pilot. The pilot is attached to the front burner. If needed, keep pressing ignitor button until pilot lights.

**Note:** If pilot does not stay lit, contact a qualified service technician or gas supplier for repairs. Until repairs are made, light pilot with match. To light pilot with match, see Manual Lighting Procedure.

7. Keep control knob pressed in for 30 seconds after lighting pilot. After 30 seconds release control knob. If control knob does not pop out when

released, contact a qualified technician or gas supplier for repairs.

**Note:** If pilot goes out, repeat steps 3 through 7. This fireplace has a safety interlock system. Wait one (1) minute for system to reset before lighting pilot again.

8. Turn control knob counter-clockwise ↻ to desired heating level. The burners should light. Set control knob to any heat level between HI and LO.

### TO TURN OFF GAS TO APPLIANCE

#### Shutting Off fireplace

Turn control knob clockwise ↻ to the OFF position.

### THERMOSTAT CONTROL OPERATION

The thermostat control knob can be set to any comfort level between HI and LO. The thermostat will gradually modulate the heat output and flame height from higher to lower settings, or pilot, in order to maintain the comfort level you select. The ideal comfort setting will vary by household depending upon the amount of space to be heated, the output of the central heating system, etc.

**Note:** Selecting the HI setting with the control knob will cause the burners to remain fully on, without modulating down in most cases.

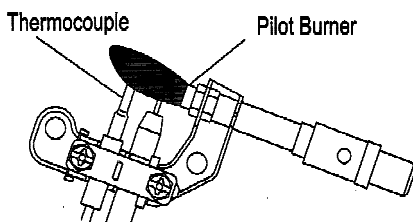
### MANUAL LIGHTING PROCEDURE

1. Follow steps 1 through 5 under Lighting Instructions.
2. Press control knob and light pilot with match.
3. Keep control knob pressed in for 30 seconds after lighting pilot. After 30 seconds, release control knob.

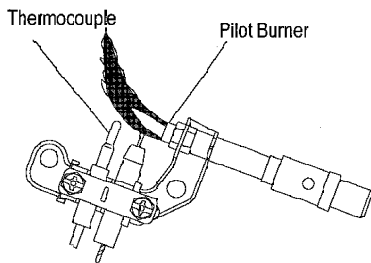
## PILOT FLAME PATTERN

Figure 15 shows a correct pilot flame pattern. Figure 16 shows an incorrect pilot flame pattern. The incorrect pilot flame is not touching the thermocouple. This will cause the thermocouple to cool. When the thermocouple cools, the heater will shut down. If pilot flame pattern is incorrect, as shown in Figure 18

- Turn heater off (see TO TURN OFF GAS TO APPLIANCE, page 9)
- see *troubleshooting*, page 15.



**Figure 15 -Correct Pilot Flame Pattern**



**Figure 16 -Incorrect Pilot Flame Pattern**

## BURNER FLAME PATTERN

Figure 17 shows a correct burner flame pattern. Figure 18 shows an incorrect burner flame pattern. If burner flame is incorrect:

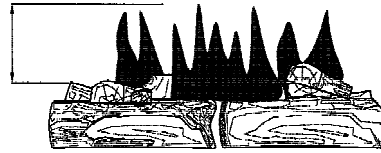
- Turn heater off (see TO TURN OFF GAS TO APPLIANCE, page 10)
- see *troubleshooting*, page 15.

Approx. 3-6" Above  
Top of logs



**Figure 17 -Correct Flame Pattern with Control Knob Set to High Flame**

More Than 8"  
Above Top of logs



**Figure 18 -Incorrect Flame Pattern with Control Knob Set to High Flame**

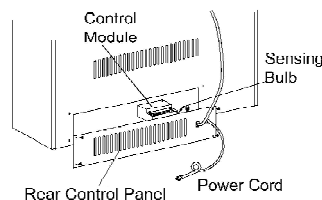
## CLEANING AND MAINTENANCE

**WARNING:** Disconnect power before attempting any maintenance or cleaning to reduce the risk of fire, electric shock or personal injury. Turn off heater and let cool before cleaning.

**CAUTION:** Label all wires prior to disconnection when servicing controls. Wiring errors can cause improper and dangerous operation. Verify proper operation after servicing.

## DISCONNECT WIRING OR CONTROL MODULE

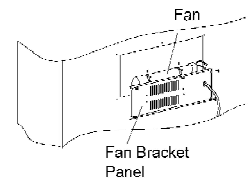
1. Remove four screws from the rear control panel, take out thermostat sensing bulb from the clip, then disconnect the wires to free to control module from its mounting location. Note: Do not confuse the mark on the each wire.
2. Remove two screws and hex nuts, take out the control module. When installing, reverse the steps above. (See Figure 19 and Figure 22)



**Figure 19- Control Model**

## DISCONNECT FAN

1. Remove screws from the fan bracket panel, pull the fan bracket panel out to remove. Then disconnect two wires free to fan.
2. Mark or tag each wire removed for its exact reconnection. Remove the four screws from the fan. When installing, reverse the steps above. (See Figure 20 and Figure 22)



**Figure 20- Fan**

**WARNING:** Failure to keep primary air openings of burners clean may result in sooting and property damage.

**CAUTION:** You must keep control areas, burner, and circulating air passageways of heater clean. Inspect these areas of heater before each use. Have heater inspected yearly by a qualified service person. Heater may need more frequent cleaning due to excessive lint from carpeting, bedding material, pet hair, etc.

## CLEANING ODS/IGNITOR AND BURNER

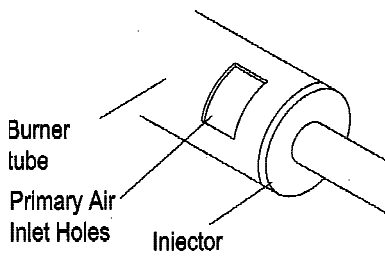
Clean with a vacuum cleaner.

## CLEANING BURNER INJECTOR HOLDER AND PILOT AIR INLET HOLE

We recommend that you clean the unit every three months or after 2500 hours of operation. We also recommend that you keep the burner tube and pilot assembly clean and free of dust and dirt. To clean these parts we recommend using compressed air no greater than 30 PSI. You can use a vacuum cleaner in the blow position. If using compressed air in a can, please follow the directions on the can. If you don't follow directions on the can, you could damage the pilot assembly.

# CLEANING AND MAINTENANCE

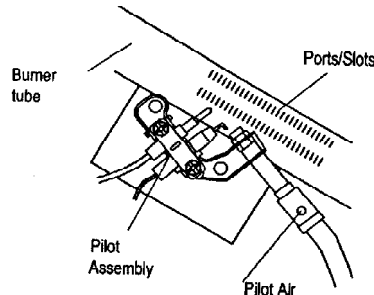
## Continued



**Figure 21 -Injector Holder On Outlet Burner Tube**

1. Shut off the unit, including the pilot. Allow the unit to cool for at least thirty minutes.
2. Inspect burner, pilot and primary air inlet holes on injector holder for dust and dirt (see figure 21).
3. Blow air through the ports/slots and holes in the burner.
4. Check the injector holder located at the end of the burner tube again. Remove any large particles of dust, dirt, lint, or pet hair with a soft cloth or vacuum cleaner nozzle.
5. Blow air into the primary air holes on the injector holder.
6. In case any large clumps of dust have now been pushed into the burner, repeat steps 3 and 4. Clean the pilot assembly also. A yellow tip on the pilot flame indicates dust and dirt in the pilot assembly. There is a small pilot air

inlet hole about two inches from where the pilot flame comes out of the pilot assembly (see Figure 22). With the unit off, lightly blow air through the air inlet hole. You may blow through a drinking straw if compressed air is not available.



**Figure 22 -Pilot Air Inlet Hole**

## CABINET

### Air Passageways

- Use a vacuum cleaner or pressurized air to clean.

## Exterior

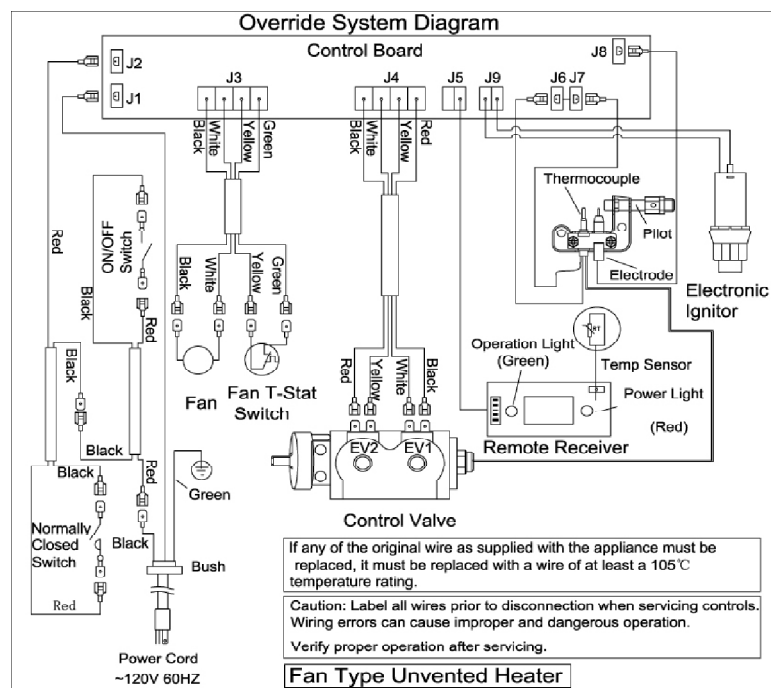
- Use a soft cloth dampened with a mild soap and water mixture. Wipe the cabinet to remove dust.

## LOGS

- If you remove logs for cleaning, refer to *Installing Logs* (page 10) to properly replace logs.
- Replace logs if broken or chipped (dime-sized or larger).

## MAIN BURNER

Periodically inspect all burner flame holes with the heater running. All slotted burner flame holes should be open with yellow flame present. All round burner flame holes should be open with a small blue flame present. Some burner flame holes may become blocked by debris or rust, with no flame present. If so, turn off heater and let cool. Either remove blockage or replace burner. Blocked burner flame holes will create soot.



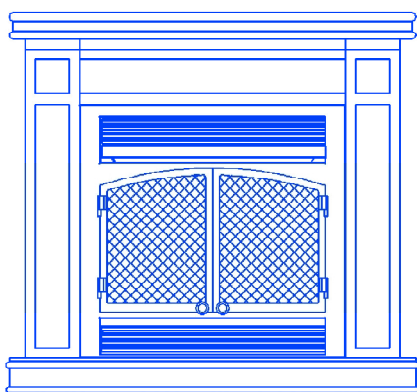
**Figure 22- Remote Control System Diagram**

## SPECIFICATIONS

	LP Gas Series	Natural Gas Series
Btu(Variable)	40000	40000
Gas Type	LP Gas	Natural Gas
Manifold Pressure	8"W.C.	3"W.C.
Inlet Gas Pressure (In. of water)*		
Maximum	14"	10.5"
Minimum	11"	5"
Voltage	120	120
Watt	27	27

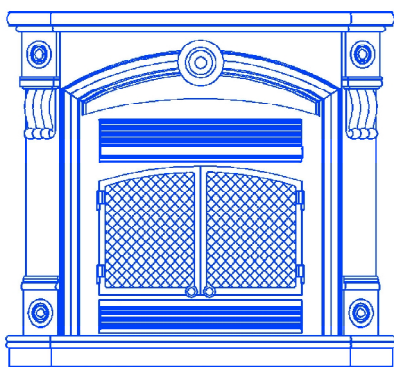
\*For purposes of input adjustment

### GFN4113 & GFP4114 shown



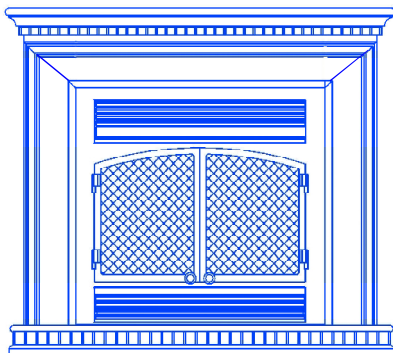
Ignition	Piezo/Automatic
Dimensions, Inches (H×W×D)	
Heater	44 3/16"×46 7/8"×16 5/8"
Carton	44 7/8"×51"×20 7/8"
Weight, lbs	
Stove	265
Shipping	295

### GFN4311 & GFP4312 shown



Ignition	Piezo/Automatic
Dimensions, Inches (H×W×D)	
Heater	45 5/8"×50"×16 7/8"
Carton	46 1/2"×54 1/2"×25 1/2"
Weight, lbs	
Stove	276
Shipping	308

### GFN4227R & GFP4228R shown



Ignition	Remote
Dimensions, Inches (H×W×D)	
Heater	43 3/4"×47 1/2"×17 5/16"
Carton	46 5/8"×51"×20 1/4"
Weight, lbs	
Stove	174
Shipping	205



## TROUBLESHOOTING

**NOTE:** BEFORE YOU SWITCH TO "ELECTRIC" CONTROL LEVEL FROM MANUAL CONTROL, YOU NEED TO TURN THE KNOB TO "OFF" LEVEL FIRST AND WAIT FOR ONE MINUTE, THEN TURN THE KNOB TO "ELECTRIC".

IN CASE "ELECTRONIC" CONTROL LEVEL DOES NOT WORK, PLEASE TURN THE CONTROL KNOB COUNTERCLOCKWISE TO "OFF" LEVEL AND WAIT FOR ONE MINUTE.

**WARNING: If you smell gas**

- Shut off gas supply.
- Do not try to light any appliance.
- Do not touch any electrical switch; do not use any phone in your building.
- Immediately call your gas supplier from a neighbor's phone. Follow the gas supplier's instructions.
- If you cannot reach your gas supplier, call the fire department.

**⚠ WARNING:** Make sure that power is turn off before proceeding....

**⚠ WARNING:** Turn off and let cool before servicing. Only a qualified service person should service and repair fireplace.

**⚠ CAUTION:** Never use a wire, needle, or similar object to clean ODS/pilot. This can damage ODS/pilot unit.

OBSERVED PROBLEM	POSSIBLE CAUSE	REMEDY
No spark when ignition button is pressed.	<ol style="list-style-type: none"> <li>1. No power to heater</li> <li>2. No battery in transmitter or battery isn't correctly assembly</li> </ol>	<ol style="list-style-type: none"> <li>1. Check the electric power</li> <li>2. Place or replace the battery.</li> </ol>
Spark at ODS/pilot but no ignition	<ol style="list-style-type: none"> <li>1. Gas supply turned off or equipment shut off valve closed</li> <li>2. Air in gas lines when installed.</li> <li>3. Depleted gas supply</li> <li>4. ODS/pilot is clogged</li> <li>5. Gas regulator setting is not correct</li> <li>6. Pilot electrude position is not correct</li> <li>7. Wire is not correct or loosen</li> <li>8 Gas valve is damage</li> </ol>	<ol style="list-style-type: none"> <li>1. Turn on gas supply or open equipment shutoff valve</li> <li>2. Press ON/OFF button again until air is removed .</li> <li>3. Contact local propane/LP gas company</li> <li>4 Clean ODS/pilot (see Cleaning and Maintenance,page 13 ) or replace ODS/pilot assembly</li> <li>5. Replace gas control</li> <li>6. Replace Pilot</li> <li>7. Check the wine and make wine correct.</li> <li>8. Contact dealer or procom.</li> </ol>
ODS/pilot lights but flame is continuous igniting and the main burner couldn't be lit.	<ol style="list-style-type: none"> <li>1. Thermocouple connection loose at control board</li> <li>2. Pilot flame not touching thermcouple which allows thermocouple to cool, causing pilot flame to go out. This problem could be caused by one or both of the following                             <ol style="list-style-type: none"> <li>A) Low gas pressure</li> <li>B) Dirty or partially clogged ODS/ pilot</li> </ol> </li> <li>3. Thermocouple damaged</li> <li>4. Control valve damaged</li> </ol>	<ol style="list-style-type: none"> <li>1. Hand tighten until snug, then tighten 1/4 turn more.</li> <li>2. A) Contact local propane/LP gas company. B) Clean ODS/pilot (see <i>Cleaning and Maintenance</i>, page 13) or replace ODS/pilot assembly</li> <li>3. Replace thermocouple</li> <li>4. Replace control valve</li> </ol>

## TROUBLESHOOTING

### *Continued*

Burner does not light after ODS/pilot is lit	<ol style="list-style-type: none"> <li>1. Burner orifice clogged</li> <li>2. Inlet gas pressure is too low</li> <li>3. Burner orifice diameter is too small</li> <li>4. Thermocouple leads disconnected or improperly connected</li> <li>5. Burners will not come in remote position</li> </ol>	<ol style="list-style-type: none"> <li>1. Clean burner (<i>see Cleaning and Maintenance</i>, page 13) or replace burner orifice.</li> <li>2. Contact local propane/LP gas company</li> <li>3. Replace burner orifice</li> <li>4. Reconnect leads (<i>see wiring diagram</i>)</li> <li>5. Replace battery in transmitter and receiver</li> </ol>
Delayed ignition burner	<ol style="list-style-type: none"> <li>1. Manifold pressure is too low</li> <li>2. Burner orifice clogged</li> </ol>	<ol style="list-style-type: none"> <li>1. Contact local gas company</li> <li>2. Clean burner (<i>see Cleaning and Maintenance</i>, page 13)</li> </ol>
Burner backfiring during combustion	<ol style="list-style-type: none"> <li>1. Damaged burner</li> <li>2. Gas regulator defective</li> </ol>	<ol style="list-style-type: none"> <li>1. Clean burner orifice (<i>see Cleaning and Maintenance</i>, page 13)</li> <li>2. Replace gas regulator</li> </ol>
Slight smoke or odor during initial operation	<ol style="list-style-type: none"> <li>1. Residues from manufacturing processes</li> <li>2. Not enough air</li> <li>3. Gas regulator defective</li> </ol>	<ol style="list-style-type: none"> <li>1. Problem will stop after a few hours of operation</li> <li>2. Check burner for dirt and debris. If found, clean burner (<i>see Cleaning and Maintenance</i>, page 13)</li> <li>3. Replace gas regulator</li> </ol>
Dark residue on logs or inside of fireplace	<ol style="list-style-type: none"> <li>1. Improper log placement</li> <li>2. Air holes at burner inlet blocked</li> <li>3. Burner flame holes blocked</li> </ol>	<ol style="list-style-type: none"> <li>1. Properly locate logs (<i>see installing logs</i>, page 10)</li> <li>2. Clean out air holes at burner inlet. Periodically repeat as needed.</li> <li>3. Remove blockage or replace burner</li> </ol>
Heater produces a clicking/ticking noise just after burner is lit or shut off	<ol style="list-style-type: none"> <li>1. Metal expanding while heating or contracting while cooling</li> </ol>	<ol style="list-style-type: none"> <li>1. This is common with most heaters. If noise is excessive, contact qualified technician.</li> </ol>

## REPLACEMENT PARTS

### REPLACEMENT PARTS

**NOTE:** Use only original replacement parts. This will protect your warranty coverage for parts replaced under warranty.

### PARTS UNDER WARRANTY

Contact authorized dealers of this product. If they can't supply original replacement part(s), call KOZY-WORLD's Technical Service Department at (814)643-1775 for referral information.

- Your name
  - Your address
  - Model and serial numbers of your heater
  - How heater was malfunctioning
  - Type of gas used (propane/LP or NG)
  - Purchase date
  - Warranty card
- Usually, we will ask you to return the defective part to the factory.

### PARTS NOT UNDER WARRANTY

Contact authorized dealers of this product. If they can't supply original replacement part(s) call KOZY-WORLD's Parts Department at (814)643-1775 for referral information.

When calling KOZY-WORLD, have ready

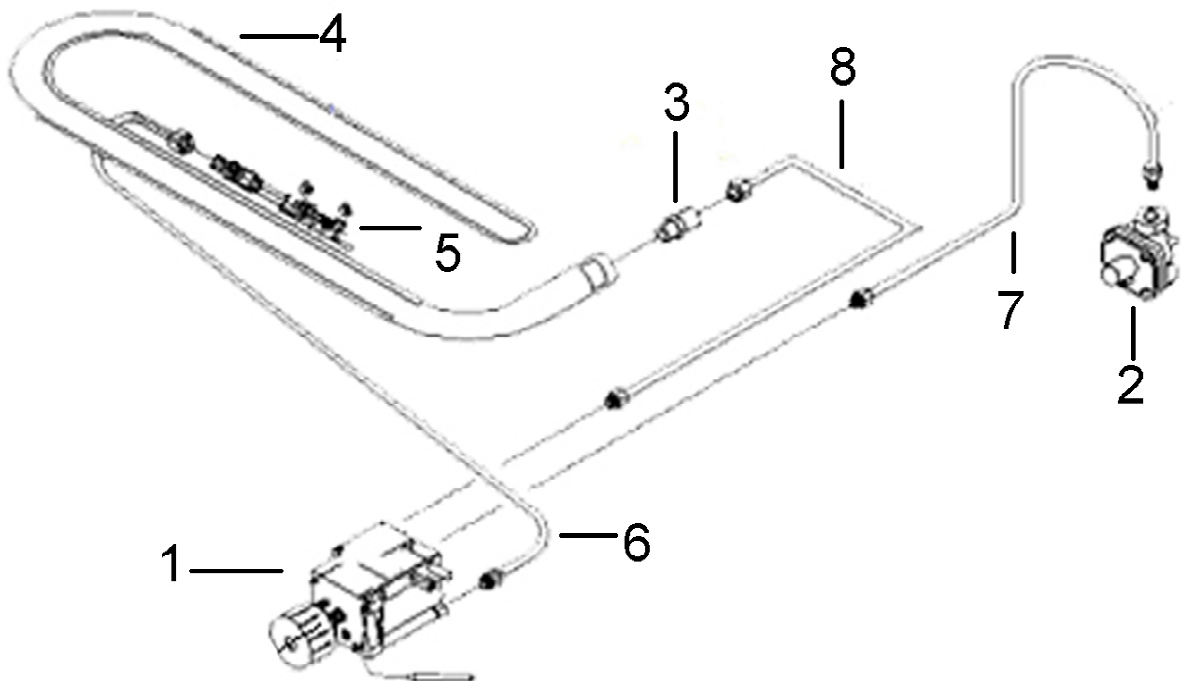
- Model number of your heater
- The replacement part number

## PARTS LIST

GFN4113    GFP4114  
GFN4311    GFP4312

This list contains replaceable parts used in your heater. When ordering parts, follow the instructions listed under *Replacement Parts* on page 17 of this manual.

KEY NO	PART NUMBER	DESCRIPTION	QUALITY	
			LP	NG
1	SIT545	T-STAT VALVE		1
2	NRV82F3-3	REGULATOR		1
	NRV82F3-8	REGULATOR	1	
3	HL036-02	INJECTOR		1
	HL036-01	INJECTOR	1	
4	NB40-032H	BURNER ASSEMBLY		1
	NB40-140H	BURNER ASSEMBLY	1	
5	ND1703X400X4	ODS		1
	ND1908X400X4	ODS	1	
6	FBB504	ODS INLET TUBE ASSEMBLY	1	1
7	FBB502	INLET TUBE ASSEMBLY	1	1
8	FBB503	OUTLET TUBE ASSEMBLY	1	1



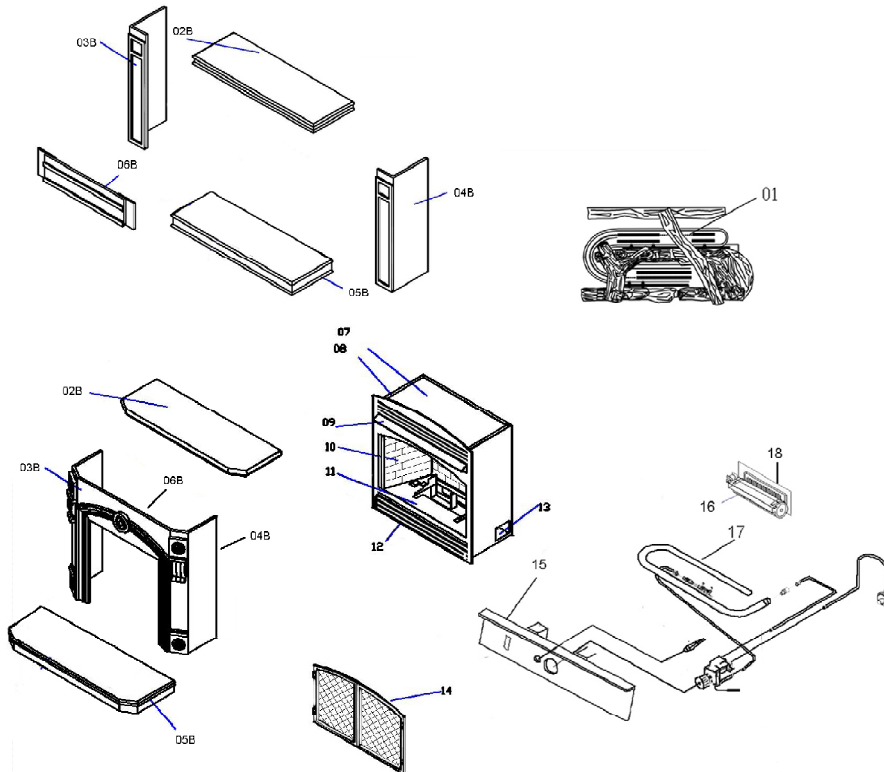
# PARTS LIST

GFN4113    GFP4114

GFN4311    GFP4312

This list contains replaceable parts used in your heater. When ordering parts, follow the instructions listed under *Replacement Parts* on page 17 of this manual.

KEY NO	PART NUMBER	DESCRIPTION	QUALITY	
			LP	NG
1	TBB500	LOGS	1	1
2B	FB-01A5M/FB-01A1M	TOP PANEL	1	1
3B	FB-04A5M/FB-04A1M	SIDE PANEL	1	1
4B	FB-05A5M/FB-05A1M	SIDE PANEL	1	1
5B	FB-03A5M/FB-03A1M	BASE	1	1
6B	FB-02A5M/FB-02A1M	UPPER PANEL	1	1
7	FHL001-01	BODY TOP COVER	1	1
8	FHL001-02	BODY BOARDING	1	1
9	FHL008-02	BAFFLE	1	1
10	FHL021(022)-02	SIDE REFLECTOR	2	2
11	FHL007-02B	FIREBOX FLOOR	1	1
12	FBB102	LOUVER	8	8
13	FHL001-03	BODY BOTTOM COVER	1	1
14	FBB104	SCREEN	1	1
15	FHL015-01T	T-STA VALVE BRACKET	1	1
16	PF06-YJLF-F	FAN	1	1
17	FBB501	BURNER	1	1
18	QL016-03R	BLOWER MOUNT PANEL	1	1

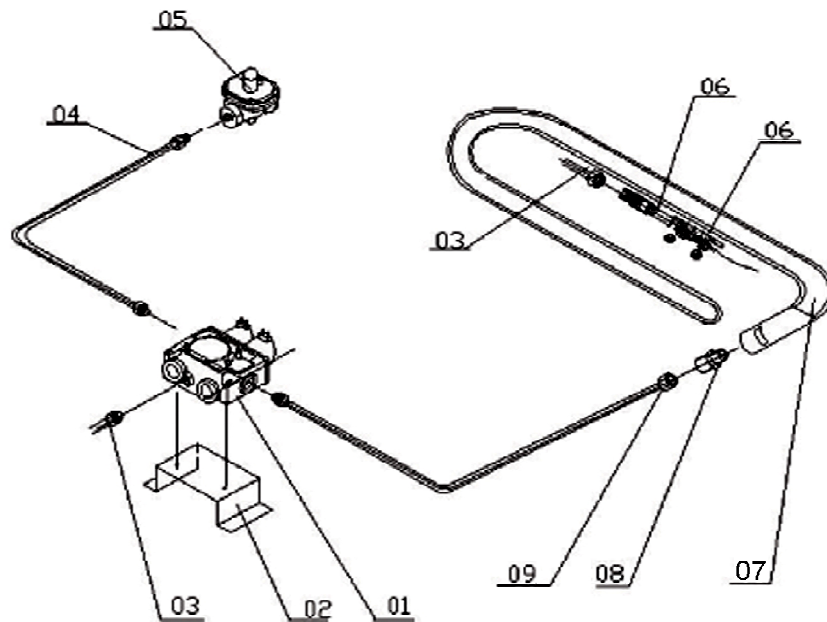


# PARTS LIST

GFN4227R GFP4228R

This list contains replaceable parts used in your heater. When ordering parts, follow the instructions listed under *Replacement Parts* on page 17 of this manual.

KEY NO	PART NUMBER	DESCRIPTION	QUALITY	
			LP	NG
1	NV2020-22*	OVERRIDE CONTROL SYSTEM	1	1
2	FHL031-01R	DOUBLE CONTROL VALVE BRACKET	1	1
3	FBB330RH	ODS INLET TUBE ASSEMBLY	1	1
4	FBB310RH	INLET TUBE ASSEMBLY	1	1
5	NRV82FB-4	REGULATOR		1
	NRV82FB-9	REGULATOR	1	
6	ND4703X400-RHN	ODS		1
	ND4908X400-RHN	ODS	1	
7	NB40-032H	BURNER ASSEMBLY		1
	NB40-140H	BURNER ASSEMBLY	1	
8	HL036-02	INJECTOR		1
	HL036-01	INJECTOR	1	
9	FBB320RH	OUTLET TUBE ASSEMBLY	1	1



# PARTS LIST

GFN4227R    GFP4228R

This list contains replaceable parts used in your heater. When ordering parts, follow the instructions listed under *Replacement Parts* on page 17 of this manual.

KEY NO	PART NUMBER	DESCRIPTION	QUALITY	
			LP	NG
1	QL016-03R	Blower Mount Panel	1	1
2	PF06-YJLF-F	Blower	1	1
3	NAYB03-00	Control Cabinet Assembly	1	1
4	NAYB01-00	Remote	1	1
5	NAYB02-00	Remote Assembly	1	1
6	FBB102	Screen	1	1
7	FBL015-02HR	Control Panel	1	1
8	NB40-032H	Burner Assembly		1
	NB40-140H	Burner Assembly	1	

