



TEST REPORT

TEST OF A NON-CATALYTIC WOOD BURNING STOVE FOR EMISSIONS AND EFFICIENCY

PER EPA METHODS ALT-125, ASTM E2515, ASTM E3053 and CSA B415.1,

Client:

United State Stove Company

227 industrial Park Rd,
South Pittsburg, TN
37380

Model Name: TR007E

Attention: Rafael Sanchez

TESTED BY:

Services Polytests inc.
695-B Gaudette
St-jean-sur-Richelieu, QC, J3B 7S7

TEST DATES: February 3rd and 4th 2020

REPORT DATE: February 14th 2020

Revision 1: February 24th 2021

Revision 2: September 15th 2021

Revision 3: May 24th 2022

Revision 4: February 20th 2024

Project number: PI-20221

All services undertaken are subject to the following general policy: Reports are submitted for exclusive use of the clients to whom they are addressed. This document may not be reproduced except in its entirety without the written permission from Services Polytests Services Polytests have not been involved in any R&D design consulting regarding this unit as requested by the NSPS.

Tested:

A handwritten signature in black ink, appearing to read "Maxime Martin".

Maxime Martin

written by:

A handwritten signature in black ink, appearing to read "Danick Power".

Danick Power, P. Eng

Verified by third party certifier (PFS-TECO):

SUMMARY

1	Introduction	4
1.1	General.....	4
1.2	Test unit information	4
1.3	Results.....	5
1.4	Pretest information.....	5
2	Summary of test results.....	5
2.1	Model identification.....	5
2.2	Laboratory information.....	5
2.3	Test condition Summary	6
2.4	Test run results summary	7
2.5	Weighted average summary	8
2.6	Weighted average Final results.....	8
2.7	Test facility conditions	8
2.8	Dilution tunnel flow rate measurements and sampling data (ASTM E2515).....	9
2.9	Dilution tunnel dual train precision	9
3	Process description.....	10
3.1	Discussion	10
3.2	Unit dimensions	10
3.3	Air supply system	11
3.4	operation during test.....	12
3.5	Start-up operation	13
3.6	Sampling locations	13
3.7	Drawings	13
3.8	Emissions efficiency testing equipment list.....	13
4	Sampling methods	13
4.1	Particulate sampling	13
5	Quality assurance	13
5.1	Instrument calibration	13
5.1.1	Gas meters.....	13
5.1.2	SCALES	13
5.1.3	Gas analyzers	13
5.2	Test method procedures.....	14
5.2.1	Leak check procedures	14
5.2.2	Tunnel velocity flow measurement	14
5.2.3	Pm sampling proportionality (ASTM E2515)	14

List of revision:

Revision 1 February 24th 2021:

- update report to comply with ADEC requirements, mainly N-CBI report additional appendix,
- Update section 1.4 addressing pre-burn was done at medium hat draw (air setting)
- update comments p.12, 3.4 more detail for wood, addressing anomalies, appropriateness and validation of runs
- section 3.1 p10, no data available for screening burns only visual and burn time have accounted.
- Appendix 9 added details on pictures
- Changed molecular weight in appendix 1 from 28.78 to 29
- Updated run 1.2 p12 mentioning the air inlet was at the lowest possible position for the minimum test
- updated manuals Appendix 7 (correcting consumer fueling instructions)
- Update table 2.3 to include startup/preburn for run 2

Revision 2 September 15th 2021:

- Additional letter for TYPO's about mixing baffle in the original report Appendix 15

Revision 3 May 24th 2022:

- P.10 Firebox volume 2.68 cuft
- Appendix 8 updated with new pictures
- Section 3.6 updated to change moisture assumed to 2% in tunnel.
- Table 2.9 additional g/Kg deviation
- Appendix 9 updated with more picture's details
- Appendix 4 updated to include moisture content for each piece for aging

Revision 4 (February 20th 2024):

- Additional new name for the same appliance
- Appendix 7, updated with new manual cover sheet with new names, and additional new names on markings
- Section 1.2, updated to include additional new names.

List of Appendix

- APPENDIX 1: Raw data, forms and results
- APPENDIX 2: Proportionality results
- APPENDIX 3: Calibration data
- APPENDIX 4: Unit pre burn
- APPENDIX 5: Participants
- APPENDIX 6: Drawings and specifications
- APPENDIX 7: Operator's manual
- APPENDIX 8: Photographs of test set up
- APPENDIX 9: Test load photographs
- APPENDIX 10: Laboratory Operating Procedures
- APPENDIX 11: Sample calculations
- APPENDIX 12: Volume calculations
- APPENDIX 13: Operating instruction
- APPENDIX 14: Drawing Air flow pattern
- APPENDIX 15: Application for wood stove program

1 INTRODUCTION

1.1 GENERAL

Laboratory

- Location: Services Polytests Inc., 695-B Gaudette St-jean-sur-Richelieu QC, Canada J3B 7S7
- Elevation: 100 feet above sea level

Test program

- Purpose: unit qualification NSPS 2020 cord wood
- Test dates: February 3rd and 4th 2020
- Test methods used:
 - Particulate emissions: ASTM E3053-17; ASTM E2515-11 methods ALT-125 as referred into 40 CFR Part 60 Subpart AAA
 - Efficiency: CSA B415.1-10

1.2 TEST UNIT INFORMATION

General

- Manufacturer: United State Stove Company
- Product type: wood heater,
- Combustion system: non-catalytic
- Unit tested: TR007E

Particularities

- Description of similar models. Different model sharing the same firebox

In Summary:

- Description of similar models: Different models sharing the same firebox for branding purposes and do not affect emissions performance. Models will vary cosmetically and will have various leg, pedestal, and insert kit options. Options will be designated by a "-xx" following the model number

US3200E, VG3200, AW3200E, TR007E-P, TR007E-L, TR007E-BP, TR007E-BL, US3200E-P, US3200E-L, US3200E-BP, US3200E-BL, VG3200-P, VG3200-L, VG3200-BP, VG3200-BL, AW3200E-P, AW3200E-L, AW3200E-BP, AW3200E-BL, KW3200-P, CGWS3500, DHWS3500

1.3 RESULTS

Emission results obtained

- Weighted Average Emissions Rate: 1.3 g/hr
- Weighted Average Overall Efficiency: 71.48 %

Conformity: NSPS Phase 2020, cord wood test method ALT-125

1.4 PRETEST INFORMATION

Unit condition: The unit was received by carrier during October 2019 in good condition. The 50hrs of aging was done by Polytests with cord wood at medium heat draw moisture content between 18% and 28% prior to testing series.

Set up

- Venting system type: 6 inches diameter inch steel pipe and insulated chimney
- System height from floor: 15 feet
- Particularities: this unit has been tested with the optional fan for high, medium and low burn rate.

2 SUMMARY OF TEST RESULTS

2.1 MODEL IDENTIFICATION

Model name number	TR007E
Manufacturer	United State Stove Company
address	227 industrial Park Rd, South Pittsburg, TN 37380
appliance category	wood Heater
Usable Firebox Volume – ft3	2.68
Catalytic/Non-Cat	Non-Cat
convection air fan (no, standard, Optional)	option

2.2 LABORATORY INFORMATION

Testing laboratory	Polytests Services
address	695-B Gaudette, St-jean-sur-richelieu
ISO/ Accreditation info	17025
Dates tested	February 3 rd and 4 th 2020
Test Methods / Standard	ALT-125
Dilution Tunnel Inside diameter – in	8
Filter diameter	47
Filter material	PTFE Pall

2.3 TEST CONDITION SUMMARY

Model Name(s) / number(s)	TR007E			
Usable firebox Volume-ft3	2.68			
Convection Air Fan (No, Standard, Optional)	option			
Test runs #	1,1	1,2	SU/H preburn	2,1
Date tested	February 3 rd 2020	February 3 rd 2020	February 4 th 2020	February 4 th 2020
test run category (L, M, H)	H	L	H	M
average barometric pressure – in Hg	30,18	30,18	29,56	29,56
Max observe Ambient temp. °F	74,68	75,23	75,01	75,01
Min observe Ambient Temp °F	70,30	71,77	0,00	72,28
Max observe Filter temp °F	89,13	87,38	88,76	88,76
Run air settings				
Primary (measured up from minimum)	Max	min	Max	Medium setting
Secondary (measured up from minimum)	Max	Min	MAX	close
Convection air setting	on	on	ON	ON
Test fuel load				
Cordwood fuel species	Oak	Oak	Oak	Oak
specific Gravity (from Table 1)	0,66	0,66	0,66	0,66
Higher heating value - Btu/lb (from Annex A1)	8690	8690	8690	8690
Nom. Test fuel piece length - in	20	20	20	20
Number of test fuel pieces	5	5		5
Test fuel Weight				
Kindling - as fired lb.	5,00	NA	4,93	NA
Kindling Wt. - as % of test fuel load	18,9%	NA	18,6%	NA
Kindling Moisture % Db	9,0	NA	9,0	NA
Kindling Kg DB	2,08	NA	2,05	NA
SU Fuel Wt- as fired lb	6,50	NA	6,50	NA
SU Fuel wt. - as % of test fuel load	24,6%	NA	24,6%	NA
SU Fuel moisture - % DB	20,0	NA	20,0	NA
SU fuel- Kg DB	2,46	NA	2,46	NA
Test Fuel Load - As Fired lb	26,42	31,65	26,45	31,87
Ave. Test Fuel Load MC % DB	22,49	22,85	22,96	24,89
Test Fuel Load - kg DB	9,78	11,68	9,76	11,57
Test fuel Loading density lb./ft3	9,86	11,81	9,87	11,89
Residual SU fuel wt. - as fired lb.	3,5	NA	3,6	NA
Residual SU fuel wt.- as % of test fuel load	13,2%	NA	13,6%	NA
Test run duration - minutes	131	491	449	448
Test run duration - h	2,18	8,18	7,48	7,47
Test fuel load wt at the end of the test - as fired lb	2,5	0	2,4	0
total fuel burned kg Db	11,60	11,68	11,55	11,57
% test fuel load wt at end of the test	9,5%	0,0%	9,1%	0,0%

2.4 TEST RUN RESULTS SUMMARY

Model name / number	TR007E		
Usable Firebox volume	2.68		
Convection air Fan (no, Standard, option)	option		
Test runs nu.	1,1	1,2	2,1
Date tested	February 3 rd 2020	February 3 rd 2020	February 4 th 2020
Test run category	H	L	M
Burn rate - Kg/hr DB	5,24	1,43	1,55
Burn rate as % of low to high Midpoint	NA	27,2%	46,5%
Burn duration - h	2,18	8,18	7
Heat output btu/hr	67 992	19 778	21 403
Average Dilution Tunnel Flow Rate - dscfm	337,6	360,6	341,6
Average Sample Flow Rates - dscfm			
Train 1	0,1719	0,1728	0,1727
train 2	0,1455	0,1457	0,1459
Total PM Emissions - g			
Train 1 g	6,73	6,78	5,98
train 2 g	7,28	6,61	6,40
Average	7,00	6,69	6,19
PM emission train precision %	3,91%	1,25%	3,42%
PM emission g/kg	0,60	0,57	0,53
PM emission rate g/h	3,21	0,82	0,83
Total Co Emission g	157,2	734,1	733,2
Co emission Rate g/h	93,4	89,7	98,2
1 st hour emission rate g/h	5,1	4,2	3,8
Overall Efficiency - CSA B415,1			
% HHV Basis	68,63%	72,22%	72,18%
% LHV Basis	73,85%	77,70%	77,66%

2.5 WEIGHTED AVERAGE SUMMARY

Model name / number	TR007E		
Usable Firebox volume	2.68		
Convection air Fan (no, Standard, option)	option		
average for each test run category	L	M	H
burn rate kg/h DB	1,43	1,55	5,24
PM Emission rate - g/h	0,82	0,83	3,21
Co emission rate - g/h	89,71	98,19	93,37
Overall Efficiency - CSA B 415,1			
% HHV Basis	72,2%	72,2%	68,6%
% LHV Basis	77,7%	77,7%	73,8%
Heat output - Btu/hr	19778	21403	67992
Category weighting	0,4	0,4	0,2

2.6 WEIGHTED AVERAGE FINAL RESULTS

ASTM E 3053 Weighted averages			
PM Emission Rate - g/h	1,30		
CO weighted Emission Rate g/h	93,8		
PM Emission 1-hr Rate - g/h	4,22		
Overall Efficiency - CSA B415,1			
% HHV Basis	71,48%		
% LHV Basis	76,92%		
Heat output range - Btu/h	19 778	to	67992
Co Arithmetic average g/min	1,56		

2.7 TEST FACILITY CONDITIONS

Run Number	Room Temperature		Barometric pressure		Relative humidity		Air Velocity	
	Before	After	Before	After	Before	After	Before	After
	(F)	(F)	(in.Hg)	(in.Hg)	(%)	(%)	(ft/min)	(ft/min)
1.1	72	72	30,24	30,12	23,9	24,6	0	0
1.2	72	72	30,24	30,12	23,9	24,6	0	0
2.1	72	74	29,47	29,65	28,1	27,4	0	0

2.8 DILUTION TUNNEL FLOW RATE MEASUREMENTS AND SAMPLING DATA (ASTM E2515)

Average dilution tunnel measurements				Sample Data			
Run Number/ test category	Burn Rate (Min)	Volumetric Flow Rate (dscf/min)	Total Temperatures (°R)	Volume sampled (DSCF)		Particulate catch (mg)	
				1	2	1	2
1.1	131	337,63	588,02	22,513	19,064	3,50	3,20
1.2	491	360,60	548,33	84,830	71,551	3,40	2,80
2.1	448	341,57	552,15	77,373	65,372	3,10	2,80

2.9 DILUTION TUNNEL DUAL TRAIN PRECISION

Run Number / test category	Sample Ratio		Total Emission (g)			
	Train 1	Train 2	Train 1	Train 2	% Deviation	Deviation g/Kg
1.1	1964,60	2320,06	6,73	7,28	3,91%	0,074
1.2	2087,16	2474,52	6,78	6,61	1,25%	0,014
2.1	1977,75	2340,81	5,98	6,40	3,42%	0,036

3 PROCESS DESCRIPTION

3.1 DISCUSSION

The wood heater has been received in a good shape by a carrier in October 2019. A few screening burns have been done to ensure the repeatability of burn rate. Maximum burn rate has been done on February 3rd 2020 followed by a minimum burn rate. On February 4th 2020 the medium burn rate has been done.

3.2 UNIT DIMENSIONS

Baffle

- Location: between top of combustion chamber and hearth
- Restriction: 1.125 X 18.625 inches at the front of unit
- Dimensions: covers the hearth area minus the restriction at front
- Material: Fiberboard ½, covered by 1-inch tick Kao Wool refer to appendix 6 for detail

Bricks

- Refractory brick 1 ¼ inch. Thick cover all back and sides and bottom. Underneath bottom brick ½ thick fiber board.

Flue gas exhaust

- Location: Top
- Dimensions: 6 in. diameter
- Material: Steel

Gasket

- Door: ¾ fiberglass round
- Glass: 1/8" x 1" Fiberglass w/ Adhesive Backing
Refer to appendix 6 for all details and location

Overall unit dimension

- Firebox dimensions: refer to appendix 12 volume calculation for all details.
- Firebox Usable volume: 2.68 cuft.
- Overall heater dimension: 23.375 -inch-wide 30-inch-deep 29.75 high

Convection fan

- Optional convection fan

Catalyst

- None

3.3 AIR SUPPLY SYSTEM

Description

- Primary air: from the bottom through an air wash above the door.
- Secondary air: From the bottom of the stove through the back and sides and into three stainless tubes with holes.

Characterization

The following table shows the inlet and outlet sections of each system. The air introduction system number is referred to on a set of drawings in Appendix 6.

AIR INTRODUCTION SYSTEM		INLET (1) sq. in.			OUTLET (sq. in.)
Identification	Type	Imin	Imax	Controlled	
A *	Primary	0.310	6.00	Yes	3.00
B *	Secondary	3.51	6.51	Yes	2.13
C *	Pilot	0.31	6.00	fix	0.36

* This section would be filled by measuring and comparing with the manufacturer’s drawings included in the test report.

Legend

Identification: Tag name referred to on drawings in Appendix 14, section airflow pattern

Type: Characterization of air intake

Imin: Minimum air intake of a particular air channel

Imax: Maximum air intake of a particular air channel

Controlled: Determines if a provision for air control is present

Outlet: Total air outlet of a particular air channel

3.4 OPERATION DURING TEST

All runs have been found appropriate, no anomalies happened and all runs below have been validate and found compliant. All load logs have been positioned North-South direction into the firebox. No logs have been debarked, all logs were split to meet individual and total load weight range for the firebox. None of them have been squared.

Run #1.1

This run was performed on February 3rd 2020. It lasted 131 minutes and a minimum burn rate was obtained at 5.24 kg/hr & emission at 3.2 gr/hr. The convection fan was at maximum setting during the entire test. The air inlet control was at the maximum setting.

Run #1.2

This run was performed on February 3rd 2020 as a continuation of the maximum burn rate. It lasted 491 minutes and a minimum burn rate was obtained at 1.43 kg/hr & emission at 0.82 gr/hr. The convection fan was turned at minimum setting from the test beginning. The air inlet control was at the minimum (LOWEST) setting possible.

Run #2.2

This run was performed on February 4th 2020. It lasted 448 minutes and a medium burn rate was obtained at 1.55 kg/hr & emission at 0.83 gr/hr. The convection fan was at on position during the entire test. The air inlet control was at the medium setting.

- Details: Refer to the front page of each test run data sheets found in appendix for the detailed test sequence showing air supply settings and adjustments, fuel bed adjustments and operational specifics of the test unit.

Test fuel

- Type of wood: Red Oak, 19 to 25% dry basis moisture content
- Unbraked typical shaped wood, some edges of pieces happened to be removed to fit into individual log pieces weight range for each testing load.
- Description: for each test, description of the fuel is found on the front page of each test run data sheet together with photograph in appendix.

3.5 START-UP OPERATION

The complete manufacturer's firing procedure of each burn rate category is fully described in appendix 13.

3.6 SAMPLING LOCATIONS

Particulate samples are collected from the dilution tunnel at a point 15 feet from the tunnel entrance. The tunnel has two elbows in the system ahead of the sampling section. The sampling section is a continuous section of 8-inch diameter pipe straight over its entire length. Tunnel velocity pressure is determined by a standard pitot tube located 48 inches from the beginning of the sampling section. Thermocouple is installed on the pitot tube to measure the dry bulb temperature. MC is assumed, as allowed, to be 2%. Tunnel samplers are located downstream of the pitot tube and upstream from the end of this section.

3.7 DRAWINGS

Various drawings of the stack gas sampling train and of dilution tunnel system are found in Appendix 6.

3.8 EMISSIONS EFFICIENCY TESTING EQUIPMENT LIST

The complete test equipment list together with all corresponding calibration data can be found in Appendix 3.

4 SAMPLING METHODS

4.1 PARTICULATE SAMPLING

Particulates were sampled in strict accordance with ASTM E2515. This method uses two identical sampling systems with 47 mm diameter EMFAB TX40H 120-WW Pall filters. The dryers used in the sample systems are filled with "Drierite" before each test run.

5 QUALITY ASSURANCE

5.1 INSTRUMENT CALIBRATION

5.1.1 GAS METERS

At the conclusion of each test program the gas meters are verified using the reference dry gas meter. This process involves sampling the train operation for 1 cubic foot of volume. With readings made to .01 fr', the resolution is 1 %, giving an accuracy higher than the 2% required by the standard.

5.1.2 SCALES

Before each test program, the different scales used are checked with traceable calibration weights to ensure their accuracy.

5.1.3 GAS ANALYZERS

The continuous analyzers are zeroed and spanned before each test with NBS traceable gases. A mid-scale multi-component calibration gas is then analyzed (values are recorded). At the conclusion of a test, the instruments are checked again with zero, span and calibration gases (values are recorded only). The drift in each meter is then calculated and must not exceed 5% of the scale used for the test.

5.2 TEST METHOD PROCEDURES

5.2.1 LEAK CHECK PROCEDURES

Before and after each test, each sample train is tested for leaks. Leakage rates are measured and must not exceed 0.02 CFM or 4% of the sampling rate. Leak checks are performed checking the entire sampling train. Pre-test and post-test leak checks are conducted with a vacuum of 5 inches of mercury. Vacuum is monitored during each test and the highest vacuum reached is then used for the post-test vacuum value. If leakage limits are not met, the test run is rejected. During these tests, the vacuum is typically less than 2 inches of mercury. Thus, leakage rates reported are expected to be much higher than actual leakage during the tests.

5.2.2 TUNNEL VELOCITY FLOW MEASUREMENT

The tunnel velocity is calculated from a center point pitot tube signal multiplied by an adjustment factor. This factor is determined by a traverse of the tunnel as prescribed in EPA Method 1. Final tunnel velocities and flow rates are calculated from EPA Method 2, Equation 6.9 and 6.10. (Tunnel cross sectional area is the average from both lines of traverse.)

Pitot tubes are cleaned before each test and leak checks are conducted after each test.

5.2.3 PM SAMPLING PROPORTIONALITY (ASTM E2515)

Proportionalities were calculated in accordance with ASTM E2515. The data and results are found in appendix.

APPENDIX 1: Raw data, forms and results

Paramètres

Tous les facteurs de corrections et autres paramètres qui peuvent être modifiés par l'utilisateur du fichier sont regroupés ici.

Code verrouillage:

Description du test

Test standard	EPA
Run #	1
Date	03-02-2020
Technicien	M.M
Project #	PI 20221

Description de l'unité

Manufacturier	US STOVE	
Modèle	TR 007	
Combustion system	Non-Cat	
Appliance type	WOOD STOVE	
Firebox volume	2,68	cu ft.
Appliance weight empty	n.a	lbs
Fan (no, Standard, Option)	option	

Paramètres du test

Logging time	1	min
Manufacturer's rated heat output	n.a	BTU/h Donnée fournie par le manufacturier
Targeted category	1	
Targeted output	n.a	BTU/h
Cp steel	n.a	BTU/lb-°F

Échantillonnage

Blank sampling rate	0,20	cuft/min
Internal probe diameter	0,18	in.
Calibration Factor (DGM #1):	0,995	Dimensionless
Equipment number (DGM #1):	EM-178	
Calibration Factor (DGM #2):	0,990	Dimensionless
Equipment number (DGM #2):	EM-179	
Calibration Factor (DGM #3):	0,997	Dimensionless
Equipment number (DGM #3):	EM-070	Dimensionless

Tunnel

Targeted tunnel flow rate	300	scfm
Tunnel diameter	8	in.
Molecular weight	29	May be assumed to be 28,78 (EPA) Si B-415 = 29
Pitot tube type	Standard	
Pitot tube coefficient	0,99	Dimensionless

Project nu.	PI 20221
Date	03-02-2020
Technicien	<input type="text" value="m.m"/>

Fuel data

Fuel type	Cord
Fuel specie	Oak
HHV	20207,0 kJ/kg
%C	49,5
%H	6,6
%O	43,7
%Ash	0,2
HHV	8689,9 Btu/lb
LHV	7600,4 Btu/lb

Default Fuel Values		
	D. Fir	Oak/Maple
HHV	19 810	20 207
%C	48,73	49,5
%H	6,87	6,62
%O	43,9	43,7
%Ash	0,5	0,2
HHV (Btu/lb)	8519	8690
LHV (Btu/lb)	7451	7600

Adjunct to ASTM E XXXX Wood Heater Cordwood Test Method - May 10, 2017 Version

Cordwood Fuel Load Calculators - 10 lb/ft³ Nominal Load Density

Core 45-65% of Total Load Weight, Remainder 35-55% of Total Load Weight

Values to be input manually

For All Usable Firebox Volumes - High Fire Test Only						
Nominal Required Load Density (wet basis)	10	lb/ft ³				
Usable Firebox Volume	2,68	ft ³				
Total Nom. Load Wt. Target	26,80	lb				
Total Load Wt. Allowable Range	25,50	to	28,10	lb		
Core Target Wt. Allowable Range	12,10	to	17,40	lb		
Remainder Load Wt. Allowable Range	9,40	to	14,70	lb		
					Mid-Point	
Core Load Pc. Wt. Allowable Range	4,00	to	6,70	lb	5,35	
Remainder Load Pc. Wt. Allowable Range	2,70	to	14,70	lb	8,70	
		Pc. #				
Core Load Piece Wt. Actual	1	5,60	lb	In Range		
	2	5,30	lb	In Range		
	3	5,53	lb	In Range		
Core Load Total. Wt. Actual		16,43	lb	In Range		
		Pc. #				
Remainder Load Piece Wt.	1	4,97	lb	In Range		
(1 to 3 Pcs.)	2	5,03	lb	In Range		
	3		lb	NA		
Remainder Load Tot. Wt. Act		9,99	lb	In Range		
Total Load Wt. Actual		26,42	lb	In Range		
Core % of Total Wt.		62%		In Range	45-65%	
Remainder % of Total Wt.		38%		In Range	35-55%	
Actual Load % of Nominal Target		99%		In Range	95-105%	
Actual Fuel Load Density		9,9	lb/ft ³			
<u>Kindling and Start-up Fuel</u>						
Maximum Kindling Wt. (20% of Tot. Load Wt.)		5,28	lb			
Actual Kindling Wt.		5,00	lb	In Range	18,9%	
Maximum Start-up Fuel Wt. (30% of Tot. Load Wt.)		7,93	lb			
Actual Start-up Fuel Wt.		6,50	lb	In Range	24,6%	
Allowable Residual Start-up Fuel Wt. Range	2,6	to	5,3	lb	Mid-Point	
Actual Residual Start-up Fuel Wt.		3,5	lb	In Range	4,0	
Total Wt. All Fuel Added (wet basis)		37,92	lb			
<u>High Fire Test Run End Point Range</u>						
	Low		High		Mid-Point	
Based on Fuel Load Wt. (w/tares)	2,4	to	2,9	lb	2,6	
Actual Fuel Load Ending Wt.		2,5	lb	In Range		

Fuel Piece Moisture Reading (%-dry basis)						
	1	2	3	Ave.		Pc. Wt. Dry Basis
	26,7	22,2	27,2	25,4	In Range	4,46 lb 2,02 kg
	19	19,3	20	19,4	In Range	4,43 lb 2,01 kg
	26,8	23,3	26	25,4	In Range	4,41 lb 2,00 kg
	23,8	22	21,7	22,5	In Range	4,05 lb 1,84 kg
	20,1	18,1	20,7	19,6	In Range	4,20 lb 1,91 kg
				NA	NA	NA lb NA kg
Total Load Ave. MC (%-dry basis)				22,5	In Range	
Total Load Ave. MC % (wet basis)				18,4		
Total Test Load Weight (dry basis)						21,57 lb 9,78 kg
<u>Kindling Moisture (%-dry basis)</u>						
	9	9	9	9,0	In Range	4,59 lb 2,08 kg
<u>Start-up Fuel Moisture Readings (%-dry basis)</u>						
	20	20	20	20,0	In Range	5,42 lb 2,46 kg
Total Wt. All Fuel Added (dry basis)						31,57 lb 14,32 kg
Total Wt. All Fuel Burned (dry basis)						25,6 lb 11,6 kg

Load pieces Length in. 20 in.

Adjunct to ASTM E XXXX Wood Heater Cordwood Test Method - May 10, 2017 Version

Cordwood Fuel Load Calculators - 12 lb/ft³ Nominal Load Density
Core 45-65% of Total Load Weight, Remainder 35-55% of Total Load Weight

Values to be input manually

For Usable Firebox Volumes up to 3.0 ft ³ - Low and Medium Fire				
Nominal Required Load Density (wet basis)	12	lb/ft ³		
Usable Firebox Volume	2.68	ft ³		
Total Nom. Load Wt. Target	32.16	lb		
Total Load Wt. Allowable Range	30.55	to 33.77	lb	
Core Target Wt. Allowable Range	14.472	to 20.90	lb	
Remainder Load Wt. Allowable Range	11.26	to 17.69	lb	
				Mid-Point
Core Load Fuel Pc. Wt. Allowable Range	4.82	to 8.04	lb	6.43
Remainder Load Pc. Wt. Allowable Range	3.22	to 9.65	lb	6.43
	Pc. #			
Core Load Piece Wt. Actual	1	6.51	lb	In Range
	2	6.69	lb	In Range
	3	6.36	lb	In Range
Core Load Total. Wt. Actual		19.56	lb	In Range
	Pc. #			
Remainder Load Piece Wt.	1	7.56	lb	In Range
(2 or 3 Pcs.)	2	4.53	lb	In Range
	3		lb	NA
Remainder Load Piece Weight Ratio - Small/Large		60%		In Range ≤ 67%
Remainder Load Tot. Wt. Act		12.09	lb	In Range
Total Load Wt. Actual		31.65	lb	In Range
Core % of Total Wt.		62%		In Range 45-65%
Remainder % of Total Wt.		38%		In Range 35-55%
Actual Load % of Nominal Target		98%		In Range 95-105%
Actual Fuel Load Density		11.8	lb/ft ³	
Allowable Charcoal Bed Wt. Range (lb)	3.2	to 6.3	lb	Mid-Point
Actual Charcoal Bed Wt.		4.0	lb	In Range 4.7
Actual Fuel Load Ending Wt.		0.0	lb	Valid Test ≥ 90%
Total Wt. of Fuel Burned During Test Run lb.		31.6	lb	
Load pieces Length in.		20	in.	

THIS DOCUMENT IS NOT AN ASTM STANDARD; IT IS UNDER CONSIDERATION WITHIN AN ASTM TECHNICAL COMMITTEE BUT HAS NOT RECEIVED ALL APPROVALS REQUIRED TO BECOME AN ASTM STANDARD. IT SHALL NOT BE REPRODUCED OR CIRCULATED OR QUOTED, IN WHOLE OR IN PART, OUTSIDE OF ASTM COMMITTEE ACTIVITIES EXCEPT WITH THE APPROVAL OF THE CHAIRMAN OF THE COMMITTEE HAVING JURISDICTION AND THE PRESIDENT OF THE SOCIETY. COPYRIGHT ASTM, 100 BARR HARBOR DRIVE, WEST CONSHOHOCKEN, PA 19380. ALL RIGHTS RESERVED.

Fuel Piece Moisture Reading (%-dry basis)									
1	2	3	Ave.			Pc. Wt. Dry Basis			
24.4	21.7	22	22.7	In Range	5.30	lb	2.41	kg	
19.5	18.2	23	20.2	In Range	5.56	lb	2.52	kg	
26.7	22.8	27.1	25.5	In Range	5.07	lb	2.30	kg	
21.9	21.3	22.1	21.8	In Range	6.21	lb	2.81	kg	
26	22.6	27	25.2	In Range	3.62	lb	1.64	kg	
			NA	NA	NA	lb	NA	kg	
Total Load Ave. MC % (dry basis)				22.9	In Range				
Total Load Ave. MC % (wet basis)				18.6					
Total Test Load Weight (dry basis)						25.76	lb	11.68	kg
Total Fuel Weight Burned During Test Run (dry basis)						25.8	lb	11.68	kg

For Usable Firebox Volumes above 3.0 ft ³ - Low and Medium Fire				
Nominal Required Load Density (wet basis)	12	lb/ft ³		
Usable Firebox Volume		ft ³		
Total Nom. Load Wt. Target	0	lb		
Total Load Wt. Allowable Range	0.00	to 0.00	lb	
Core Target Wt. Allowable Range	0.00	to 0.00	lb	
Remainder Load Wt. Allowable Range	0.00	to 0.00	lb	
				Mid-Point
Core Load Fuel Pc. Wt. Allowable Range	0.00	to 0.00	lb	0.00
Remainder Load Pc. Wt. Allowable Range	0.00	to 0.00	lb	0.00
	Pc. #			
Core Load Piece Wt. Actual	1		lb	In Range
	2		lb	In Range
	3		lb	In Range
Core Load Total. Wt. Actual		0.00	lb	In Range
	Pc. #			
Remainder Load Piece Wt.	1		lb	In Range
(3 or 4 Pcs.)	2		lb	In Range
	3		lb	In Range
	4		lb	NA
Remainder Load Piece Weight Ratio - Small/Large		#NOMBRE!		≤ 67%
Remainder Load Tot. Wt. Act		0.00	lb	In Range
Total Load Wt. Actual		0.00	lb	In Range
Core % of Total Wt.		#DIV/0!		#DIV/0! 45-65%
Remainder % of Total Wt.		#DIV/0!		#DIV/0! 35-55%
Actual Load % of Nominal Target		#DIV/0!		#DIV/0! 95-105%
Actual Fuel Load Density		#DIV/0!	lb/ft ³	
Allowable Charcoal Bed Wt. Range (lb)	0.1	to -0.1	lb	Mid-Point
Actual Charcoal Bed Wt.			lb	Out of Range 0.0
Actual Fuel Load Ending Wt.			lb	Valid Test ≥ 90%
Total Wt. of Fuel Burned During Test Run lb.		0.0	lb	

Fuel Piece Moisture Reading (%-dry basis)									
1	2	3	Ave.			Pc. Wt. Dry Basis			
			#DIV/0!	#DIV/0!	#DIV/0!	lb	#DIV/0!	kg	
			#DIV/0!	#DIV/0!	#DIV/0!	lb	#DIV/0!	kg	
			#DIV/0!	#DIV/0!	#DIV/0!	lb	#DIV/0!	kg	
			NA	NA	NA	lb	NA	kg	
Total Load Ave. MC % (dry basis)				#DIV/0!	#DIV/0!				
Total Load Ave. MC % (wet basis)				#DIV/0!					
Total Test Load Weight (dry basis)						#DIV/0!	lb	#DIV/0!	kg
Total Fuel Weight Burned During Test Run (dry basis)						#DIV/0!	lb	#DIV/0!	kg

	Start	End
Barometer (kPa):	102,4	102
Barometer (in.Hg):	30,238709	30,12058866
Dry Bulb (F):	72,1	71,6
Humidity (%):	23,9	24,6
Air velocity (ft/min)	0	0

High fire test				
DGM #1	Final:	4921,639 cuft	Final:	139365,300 Liter
	Initial:	4898,210 cuft	Initial:	138701,850 Liter
DGM #2	Final:	2861,458 cuft	Final:	81027,470 Liter
	Initial:	2841,685 cuft	Initial:	80467,560 Liter
DGM room			Final:	763,110 cuft
			Initial:	733,150 cuft

min or med burnrate				
DGM #1	Final:	5010,160 cuft	Final:	141871,940 Liter
	Initial:	4921,805 cuft	Initial:	139370,000 Liter
DGM #2	Final:	2935,920 cuft	Final:	83136,000 Liter
	Initial:	2861,603 cuft	Initial:	81031,580 Liter
DGM room			Final:	874,920 cuft
			Initial:	763,110 cuft

Numéro de la ligne dans "Raw data" à partir duquel les données du test commence	133
Numéro de la ligne dans "Raw data" à partir duquel les données du highfire test commence	165
Numéro de la ligne dans "Raw data" à partir duquel les données du min ou medium fire test commence	328

Autres données à rentrer: dans preload data, load data, traverse et filter set weight

Project nu.	PI 20221
Date	03-02-2020
Technicien	M.M

Filter set weight highfire

	System 1 (g) 1st hour			System 1 (g)			System 2 (g)			Ambient blank (g)	Date	Heure
	probe	front / Back	gasket	probe	front / Back	gasket	probe	front / Back	gasket	Filter		
Number	13	664 665	1	37	666 680	12	41	681 682	33	683		
Before (1)												
Before (2)												
Before (3)												
Before (4)												
Before (5)	95,1466	0,1781	35,3500	107,9736	0,1795	36,0123	110,3659	0,1760	33,8321	0,1286	2020-01-30	17:00
Before (6)	95,1465	0,1782	35,3501	107,9737	0,1795	36,0124	110,3658	0,1759	33,8322	0,1286	2020-02-03	08:00
After (1)	95,1489	0,1816	35,3527	107,9742	0,1808	36,0151	110,3667	0,1792	33,8362	0,1289	2020-02-03	14:00
After (2)	95,1466	0,1806	35,3502	107,9738	0,1802	36,0125	110,3660	0,1789	33,8322	0,1287	2020-02-10	08:00
After (3)	95,1466	0,1806	35,3502	107,9738	0,1802	36,0125	110,3660	0,1789	33,8322	0,1287	2020-02-11	08:00
After (4)												
After (5)												
After (6)	95,1466	0,1806	35,3502	107,9738	0,1802	36,0125	110,3660	0,1789	33,8322	0,1287	2020-02-11	08:00
Difference	0,0001	0,0024	0,0000	0,0001	0,0001	0,0007	0,0000	0,0001	0,0002	0,0030	0,0000	0,0001
Total (mg)	2,6			3,5			3,2			0,1		
Total ajusté (mg)	2,50			3,40			3,10					

Project nu.	PI 20221
Date	03-02-2020
Technicien	M.M

Filter set weight Low/ medium fire

	System 1 (g) 1st hour			System 1 (g)			System 2 (g)			Ambient blank (g)	Date	Heure	
	probe	front / Back	gasket	probe	front / Back	gasket	probe	front / Back	gasket	Filter			
Number	11	684-685	4	16	686 687	35	50	688 689	41	690			
Before (1)													
Before (2)													
Before (3)													
Before (4)													
Before (5)	93,7192	0,1765	35,3336	108,7531	0,1792	34,8947	107,6473	0,1796	35,0334	0,1265	2020-01-30	17:00	
Before (6)	93,7193	0,1766	35,3337	108,7532	0,1792	34,8948	107,6474	0,1795	35,0333	0,1264	2020-02-03	11:00	
After (1)	93,7206	0,1792	35,3345	108,7537	0,1808	34,8954	107,6483	0,1828	35,0360	0,1266	2020-02-03	20:00	
After (2)	93,7196	0,1783	35,3339	108,7535	0,1805	34,8947	107,6478	0,1819	35,0334	0,1266	2020-02-10	08:00	
After (3)	93,7196	0,1782	35,3338	108,7535	0,1804	34,8947	107,6477	0,1819	35,0334	0,1266	2020-02-11	08:00	
After (4)													
After (5)													
After (6)	93,7196	0,1782	35,3338	108,7535	0,1804	34,8947	107,6477	0,1819	35,0334	0,1266	2020-02-11	08:00	
Difference	0,0003	0,0016	0,0000	0,0001	0,0003	0,0012	0,0000	-0,0001	0,0003	0,0024	0,0000	0,0001	0,0002
Total (mg)	2		3,4			2,8			0,2				
Total ajusté (mg)	1,80		3,20			2,60							

Project nu.	PI 20221
Date	03-02-2020
Technicien	M.M

* Elapsed Time min	* Raw data row	* Weight		* CO		* CO ₂		*1 Flue	*2 Room	*3 Tunnel	*4 Unit	*5 Unit	*6 Unit	*7 Unit	*8 Unit	Mass flow 1	DGM 1	DGM 1	Filter 1	Mass flow 2	DGM 2	DGM 2	Filter 2
		Remaining	CO	CO ₂	Flue	Room	Tunnel	Unit	Unit	Unit	Unit	Unit	Unit	Unit	Unit	Unit	Inlet T	Outlet T	Temp	Reading	Inlet T	Outlet T	Temp
		lbs	%	%	°F	°F	°F	°F	°F	°F	°F	°F	°F	°F	°F	°F	cuft/min	oF	oF	oF	cuft/min	oF	oF
0,00	133,00	12,1	0,0	0,0	70,6	70,3	74,0	70,8	69,1	69,4	69,7	69,6	69,6	69,6	0,17	72,37	72,38	84,77	0,15	72,45	72,40	84,12	
1,0	134,0	11,3	0,0	0,4	98,4	70,4	76,1	73,2	69,1	69,6	69,8	69,6	69,6	69,6	0,17	72,43	72,29	84,28	0,15	72,54	72,22	86,65	
2,0	135,0	11,2	0,3	3,0	207,8	70,4	78,5	110,0	69,2	70,8	70,5	69,6	69,6	69,6	0,17	72,44	72,24	83,84	0,15	72,53	72,18	86,76	
3,0	136,0	11,0	0,2	6,1	360,3	70,5	85,7	160,0	69,3	73,8	72,8	69,7	69,7	69,7	0,17	72,46	72,23	83,45	0,15	72,55	72,17	86,47	
4,0	137,0	10,7	0,2	8,6	492,9	70,5	94,7	221,3	69,5	78,7	77,8	69,7	69,7	69,7	0,17	72,49	72,22	83,07	0,15	72,55	72,13	86,22	
5,0	138,0	10,5	0,4	11,2	511,1	70,6	97,0	271,9	70,0	86,6	89,1	69,7	69,7	69,7	0,17	72,51	72,21	82,72	0,15	72,58	72,13	86,02	
6,0	139,0	10,2	0,4	10,6	533,0	70,7	100,5	313,9	71,2	98,8	105,6	69,7	69,7	69,7	0,17	72,52	72,20	82,37	0,15	72,59	72,11	85,79	
7,0	140,0	10,0	0,5	10,8	541,0	70,8	102,9	347,0	73,4	112,7	123,3	69,8	69,8	69,8	0,17	72,59	72,18	82,02	0,15	72,65	72,10	85,62	
8,0	141,0	9,7	0,6	10,8	545,2	70,9	104,5	377,4	77,1	127,4	140,0	69,8	69,8	69,8	0,17	72,63	72,20	81,69	0,15	72,68	72,12	85,42	
9,0	142,0	9,5	0,5	10,1	551,5	70,8	106,9	406,2	82,1	141,3	156,2	69,9	69,9	69,9	0,17	72,65	72,21	81,82	0,15	72,71	72,12	85,20	
10,0	143,0	9,2	0,6	11,6	582,3	70,9	108,6	444,0	87,8	155,7	173,9	70,0	70,0	70,0	0,17	72,77	72,21	84,03	0,15	72,77	72,12	85,02	
11,0	144,0	8,9	0,4	11,0	623,2	71,0	112,3	482,9	94,3	170,3	190,4	70,1	70,1	70,1	0,17	72,89	72,23	86,38	0,15	72,86	72,13	84,86	
12,0	145,0	8,5	0,3	13,7	664,2	71,1	118,4	536,2	101,3	188,0	205,6	70,3	70,3	70,3	0,17	72,98	72,24	87,12	0,15	72,95	72,13	84,84	
13,0	146,0	8,1	0,3	14,6	708,1	71,1	124,0	595,0	109,2	207,6	220,3	70,6	70,6	70,6	0,17	73,08	72,27	87,18	0,15	73,05	72,17	84,92	
14,0	147,0	7,8	0,5	15,6	718,4	71,4	125,9	651,3	118,1	227,0	235,0	71,0	71,0	71,0	0,17	73,22	72,31	87,01	0,15	73,14	72,21	85,01	
15,0	148,0	7,5	0,3	15,0	727,3	71,6	128,3	699,3	128,0	245,8	249,6	71,4	71,4	71,4	0,17	73,41	72,37	86,74	0,15	73,31	72,26	85,02	
16,0	149,0	7,1	0,3	15,1	747,5	71,6	130,7	742,8	128,2	263,6	264,2	71,9	71,9	71,9	0,17	73,57	72,40	86,39	0,15	73,44	72,39	85,05	
17,0	150,0	6,8	0,3	15,4	756,1	71,7	132,7	777,6	148,7	280,9	279,0	72,6	72,6	72,6	0,17	73,77	72,47	86,08	0,15	73,56	72,35	85,12	
18,0	151,0	6,4	0,3	15,5	758,1	71,7	133,2	805,5	159,1	297,5	293,7	73,5	73,5	73,5	0,17	74,01	72,52	85,80	0,15	73,76	72,42	85,22	
19,0	152,0	6,1	0,3	15,1	761,2	72,0	134,5	827,6	169,0	314,2	308,3	74,5	74,5	74,5	0,17	74,16	72,57	85,57	0,15	73,92	72,45	85,31	
20,0	153,0	5,8	0,2	15,1	763,8	72,0	134,7	841,8	177,5	330,6	322,7	75,7	75,7	75,7	0,17	74,28	72,64	85,32	0,15	74,02	72,49	85,37	
21,0	154,0	5,5	0,2	14,7	754,4	72,1	134,0	847,0	184,3	346,5	336,8	77,0	77,0	77,0	0,17	74,35	72,67	85,09	0,15	74,16	72,56	85,42	
22,0	155,0	5,2	0,1	13,9	741,1	72,0	133,7	844,9	192,1	362,0	350,5	78,6	78,6	78,6	0,17	74,48	72,73	84,86	0,15	74,27	72,60	85,46	
23,0	156,0	5,0	0,1	13,2	725,3	72,1	131,2	837,2	200,4	377,3	364,2	80,4	80,4	80,4	0,17	74,61	72,78	84,62	0,15	74,41	72,68	85,47	
24,0	157,0	4,8	0,1	12,7	714,8	72,2	131,1	828,7	209,2	392,0	377,6	82,5	82,5	82,5	0,17	74,77	72,81	84,44	0,15	74,50	72,74	85,49	
25,0	158,0	4,5	0,1	12,2	701,2	72,3	129,5	816,0	218,3	406,5	390,9	84,8	84,8	84,8	0,17	74,88	72,88	84,25	0,15	74,62	72,78	85,50	
26,0	159,0	4,3	0,1	11,6	690,2	72,0	128,1	807,1	227,4	420,7	403,7	87,3	87,3	87,3	0,17	75,00	72,96	84,06	0,15	74,73	72,84	85,50	
27,0	160,0	4,1	0,1	11,6	679,1	72,2	127,0	797,8	236,2	434,6	416,7	90,1	90,1	90,1	0,17	75,11	73,01	83,92	0,15	74,82	72,92	85,47	
28,0	161,0	3,9	0,1	11,0	666,5	72,3	124,8	787,2	244,9	448,2	429,2	93,3	93,3	93,3	0,17	75,09	73,05	83,80	0,15	74,87	73,00	85,41	
29,0	162,0	3,8	0,1	10,4	648,0	72,2	123,3	773,5	253,7	461,0	441,3	96,6	96,6	96,6	0,17	75,13	73,12	83,67	0,15	74,94	73,04	85,39	
30,0	163,0	3,6	0,1	9,6	633,5	72,1	121,9	757,2	262,6	472,9	452,4	100,2	100,2	100,2	0,17	75,11	73,13	83,52	0,15	74,95	73,06	85,31	
31,0	164,0	3,4	0,1	9,1	620,6	72,1	121,6	741,4	271,2	483,9	462,7	103,7	103,7	103,7	0,17	75,14	73,18	83,43	0,15	75,00	73,11	85,24	
32,0	165,0	2,9	0,2	7,8	653,0	72,0	151,9	728,2	282,0	494,4	472,8	107,0	107,0	107,0	0,17	75,19	73,23	83,39	0,15	75,03	73,15	86,22	
33,0	166,0	2,9	0,4	11,0	686,1	72,1	133,1	743,9	289,9	497,6	481,2	110,1	110,1	110,1	0,17	75,27	73,25	83,25	0,15	75,08	73,19	86,02	
34,0	167,0	2,8	0,2	13,0	697,1	72,1	131,5	761,1	296,2	497,7	486,9	113,2	113,2	113,2	0,17	75,36	73,29	83,14	0,15	75,13	73,20	85,93	
35,0	168,0	2,8	0,2	13,3	705,7	72,3	131,6	770,7	300,7	497,5	490,7	116,3	116,3	116,3	0,17	75,45	73,32	83,04	0,15	75,20	73,24	85,93	
36,0	169,0	2,8	0,2	13,4	706,5	72,3	132,3	779,0	304,0	497,9	493,8	119,3	119,3	119,3	0,17	75,49	73,38	82,96	0,15	75,27	73,28	85,94	
37,0	170,0	2,8	0,2	13,2	707,5	72,4	131,6	783,9	306,3	499,1	496,6	122,2	122,2	122,2	0,17	75,56	73,43	82,85	0,15	75,36	73,34	85,94	
38,0	171,0	2,7	0,2	13,2	711,3	72,6	132,9	789,1	308,0	500,6	499,6	125,0	125,0	125,0	0,17	75,60	73,47	82,79	0,15	75,43	73,40	86,00	
39,0	172,0	2,7	0,2	13,3	713,9	72,5	132,9	794,2	309,4	502,7	502,7	127,8	127,8	127,8	0,17	75,68	73,50	82,75	0,15	75,50	73,45	86,07	
40,0	173,0	2,7	0,2	13,3	715,6	72,6	130,6	798,1	310,4	505,1	505,9	130,6	130,6	130,6	0,17	75,75	73,57	82,72	0,15	75,56	73,51	86,10	
41,0	174,0	2,6	0,2	13,2	712,0	72,6	132,0	801,2	311,3	507,9	509,3	133,2	133,2	133,2	0,17	75,75	73,61	82,71	0,15	75,60	73,56	86,14	
42,0	175,0	2,6	0,2	12,9	707,7	72,7	130,3	801,6	312,1	510,7	512,7	135,6	135,6	135,6	0,17	75,82	73,65	82,67	0,15	75,67	73,62	86,18	
43,0	176,0	2,6	0,2	12,9	709,4	72,6	132,4	802,9	312,7	513,6	516,0	138,0	138,0	138,0	0,17	75,89	73,69	82,60	0,15	75,73	73,64	86,24	
44,0	177,0	2,5	0,2	13,0	711,9	72,6	132,7	803,6	313,4	516,8	519,1	140,3	140,3	140,3	0,17	75,95	73,75	82,60	0,15	75,79	73,72	86,28	
45,0	178,0	2,5	0,2	13,1	717,1	72,7	133,4	805,4	314,0	520,2	522,1	142,6	142,6	142,6	0,17	76,01	73,81	82,57	0,15	75,85	73,78	86,32	
46,0	179,0	2,5	0,2	13,2	720,3	72,7	133,5	806,5	314,5	523,8	525,1	144,8	144,8	144,8	0,17	76,06	73,84	82,57	0,15	75,90	73,84	86,40	
47,0	180,0	2,4	0,2	13,3	719,2	73,0	134,0	809,7	315,1	527,4	528,2	146,9	146,9	146,9	0,17	76,19	73,92	82,59	0,15	75,96	73,93	86,47	
48,0	181,0	2,4	0,4	13,6	724,5	73,0	134,5	810,9	315,7	530,9	531,5	148,9	148,9	148,9	0,17	76,29	73,98	82,54	0,15	76,08	73,97	86,50	
49,0	182,0	2,4	0,4	14,1	731,2	73,0	135,2	814,4	316,6	534,4	535,2	150,7	150,7	150,7	0,17	76,33	74,02	82,58	0,15	76,14	74,04	86,57	
50,0	183,0	2,3	0,4	14,4	737,3	73,0	136,0	818,5	317,4	538,0	539,1	152,5	152,5	152,5	0,17	76,42	74,07	82,60	0,15	76,20	74,10	86,74	
51,0	184,0	2,3	0,4	14,6	743,5	73,1	136,4	822,4	318,4	541,6	543,4	154,3	154,3	154,3	0,17	76,60	74,14	82,65	0,15	76,32	74,14	86,82	
52,0	185,0	2,2	0,4	14,7	7																		

82,0	215,0	14,0	0,1	13,9	744,0	72,7	136,1	844,2	383,9	649,9	645,9	211,6	0,17	78,23	75,70	82,68	0,15	77,99	75,51	84,51
83,0	216,0	13,7	0,1	14,0	746,5	72,6	135,6	845,1	386,9	652,9	647,8	213,6	0,17	78,30	75,75	82,60	0,15	78,03	75,55	84,45
84,0	217,0	13,5	0,1	14,2	748,7	72,9	135,9	847,8	389,9	655,8	649,6	215,8	0,17	78,39	75,78	82,56	0,15	78,08	75,60	84,39
85,0	218,0	13,2	0,1	14,3	750,9	72,4	137,4	851,7	392,9	658,6	651,5	217,9	0,17	78,51	75,85	82,48	0,15	78,17	75,66	84,34
86,0	219,0	12,9	0,1	14,4	753,1	72,1	137,6	856,5	396,0	661,5	653,6	219,9	0,17	78,68	75,88	82,43	0,15	78,28	75,72	84,33
87,0	220,0	12,7	0,1	14,5	753,6	72,1	137,5	859,1	399,0	664,5	655,6	222,0	0,17	78,87	75,97	82,40	0,15	78,41	75,80	84,25
88,0	221,0	12,4	0,1	14,4	752,4	72,4	137,4	862,2	402,1	667,4	657,8	224,0	0,17	79,04	76,03	82,35	0,15	78,53	75,86	84,23
89,0	222,0	12,2	0,1	14,3	753,5	72,4	137,6	864,5	405,2	670,3	659,8	226,0	0,17	79,18	76,07	82,34	0,15	78,60	75,90	84,21
90,0	223,0	11,9	0,1	14,3	749,0	72,1	137,7	865,0	408,1	673,3	661,8	228,2	0,17	79,31	76,16	82,29	0,15	78,69	75,97	84,19
91,0	224,0	11,7	0,1	13,8	739,1	72,4	136,3	866,7	410,8	676,3	663,5	230,2	0,17	79,45	76,22	82,23	0,15	78,78	76,03	84,13
92,0	225,0	11,4	0,1	13,3	734,6	72,3	135,9	865,3	413,7	679,4	665,4	232,3	0,17	79,55	76,25	82,23	0,15	78,87	76,07	84,09
93,0	226,0	11,2	0,1	13,1	731,5	71,9	135,5	864,1	416,4	682,4	667,1	234,4	0,17	79,58	76,29	82,20	0,15	78,91	76,10	84,04
94,0	227,0	11,0	0,1	13,0	727,5	72,4	132,4	861,7	419,2	685,1	668,8	236,3	0,17	79,64	76,35	82,17	0,15	78,97	76,17	83,97
95,0	228,0	10,7	0,1	12,8	723,6	72,7	133,0	860,4	421,9	687,9	670,4	238,3	0,17	79,70	76,42	82,14	0,15	79,06	76,22	83,91
96,0	229,0	10,5	0,1	12,7	720,1	72,5	134,0	858,4	424,3	690,7	671,9	240,4	0,17	79,90	76,52	82,12	0,15	79,25	76,34	83,91
97,0	230,0	10,3	0,1	12,6	717,3	72,8	135,9	854,2	426,9	693,7	673,3	242,5	0,17	80,19	76,66	82,10	0,15	79,51	76,50	83,99
98,0	231,0	10,1	0,1	12,6	715,8	72,8	136,6	852,8	429,5	696,5	674,5	244,5	0,17	80,53	76,81	82,09	0,15	79,79	76,67	84,01
99,0	232,0	9,9	0,1	12,6	713,7	72,9	136,5	850,6	432,1	699,1	675,6	246,6	0,17	80,86	76,98	82,05	0,15	80,07	76,85	84,07
100,0	233,0	9,7	0,1	12,6	712,6	73,2	137,6	849,3	434,5	701,6	676,5	248,9	0,17	81,20	77,14	82,08	0,15	80,35	77,04	84,16
101,0	234,0	9,5	0,1	12,5	708,5	73,5	137,1	846,1	436,9	704,1	677,4	251,1	0,17	81,47	77,30	82,10	0,15	80,60	77,21	84,19
102,0	235,0	9,3	0,1	12,2	698,7	73,3	135,4	839,9	439,4	706,6	678,2	253,2	0,17	81,63	77,44	82,12	0,15	80,80	77,36	84,21
103,0	236,0	9,2	0,1	11,7	689,9	73,4	133,9	830,8	441,6	708,9	679,1	255,5	0,17	81,68	77,55	82,12	0,15	80,90	77,50	84,18
104,0	237,0	9,0	0,1	11,2	683,7	73,0	133,3	820,7	444,0	711,0	679,8	257,9	0,17	81,75	77,66	82,10	0,15	81,02	77,60	84,17
105,0	238,0	8,9	0,1	11,0	668,1	73,0	131,8	811,8	446,2	712,8	680,6	260,4	0,17	81,73	77,74	82,05	0,15	81,06	77,68	84,14
106,0	239,0	8,7	0,0	10,8	658,4	73,1	130,1	800,5	448,3	714,3	681,2	262,9	0,17	81,69	77,82	82,00	0,15	81,10	77,76	84,09
107,0	240,0	8,6	0,0	10,4	648,1	72,7	129,3	788,5	450,7	715,4	681,6	265,4	0,17	81,66	77,88	81,96	0,15	81,09	77,82	84,02
108,0	241,0	8,4	0,0	10,1	641,3	73,2	127,8	776,0	453,1	715,8	682,2	267,8	0,17	81,61	77,95	81,94	0,15	81,07	77,87	83,93
109,0	242,0	8,3	0,0	9,9	634,3	72,9	126,9	764,3	455,8	716,0	682,5	270,2	0,17	81,58	78,00	81,90	0,15	81,07	77,91	83,86
110,0	243,0	8,1	0,0	9,7	627,7	73,1	125,1	753,3	458,3	715,7	682,5	272,5	0,17	81,48	78,06	81,84	0,15	81,07	77,96	83,77
111,0	244,0	8,0	0,0	9,6	623,7	73,1	124,4	742,0	460,7	715,4	682,4	274,9	0,17	81,41	78,10	81,81	0,15	81,04	78,01	83,66
112,0	245,0	7,9	0,0	9,6	617,7	72,9	123,6	732,2	463,1	714,9	682,1	277,1	0,17	81,28	78,13	81,78	0,15	80,99	78,03	83,57
113,0	246,0	7,7	0,0	9,6	615,8	72,8	123,4	724,1	465,3	714,4	681,7	279,3	0,17	81,13	78,16	81,71	0,15	80,92	78,07	83,52
114,0	247,0	7,6	0,1	9,7	613,2	72,8	123,1	717,3	467,5	713,9	681,0	281,5	0,17	81,07	78,18	83,50	0,15	80,87	78,07	83,40
115,0	248,0	7,5	0,1	9,7	610,1	72,6	122,3	710,6	469,5	713,5	680,1	283,8	0,17	80,99	78,17	86,78	0,15	80,68	78,05	83,32
116,0	249,0	7,4	0,1	9,6	607,4	72,7	122,3	703,9	471,5	713,0	679,3	286,1	0,17	80,83	78,20	87,74	0,15	80,63	78,05	83,24
117,0	250,0	7,3	0,1	9,5	605,3	72,7	122,3	697,5	473,4	712,6	678,5	288,4	0,17	80,77	78,22	87,47	0,15	80,59	78,05	83,15
118,0	251,0	7,1	0,1	9,5	597,3	72,6	121,0	690,3	475,3	712,2	677,6	290,6	0,17	80,72	78,24	86,96	0,15	80,53	78,05	83,06
119,0	252,0	7,0	0,1	8,8	588,7	72,5	119,6	681,3	477,2	712,1	676,6	292,4	0,17	80,60	78,25	86,41	0,15	80,48	78,07	82,94
120,0	253,0	6,9	0,1	8,6	582,6	72,6	119,2	672,2	479,1	712,0	675,6	294,2	0,17	80,58	78,30	85,88	0,15	80,50	78,08	82,88
121,0	254,0	6,8	0,1	8,6	578,3	72,4	118,0	662,3	481,0	711,6	674,4	296,0	0,17	80,39	78,30	85,42	0,15	80,43	78,10	82,72
122,0	255,0	6,7	0,1	8,5	573,6	72,1	118,0	653,2	482,9	710,7	673,1	297,7	0,17	80,29	78,34	84,93	0,15	80,33	78,12	82,60
123,0	256,0	6,6	0,1	8,4	567,9	72,5	116,6	645,4	484,9	709,6	671,9	299,4	0,17	80,25	78,36	84,53	0,15	80,36	78,14	82,47
124,0	257,0	6,5	0,1	8,2	561,9	73,2	116,2	636,6	486,8	708,0	670,5	301,0	0,17	80,26	78,38	84,13	0,15	80,37	78,19	83,11
125,0	258,0	6,4	0,2	7,9	553,9	73,5	115,9	628,2	488,8	705,9	669,2	302,5	0,17	80,31	78,43	83,81	0,15	80,39	78,21	84,29
126,0	259,0	6,4	0,2	7,4	546,8	73,9	115,5	619,7	490,3	703,5	667,6	303,6	0,17	80,38	78,52	83,52	0,15	80,44	78,29	85,41
127,0	260,0	6,3	0,2	7,0	538,2	74,2	114,6	611,7	491,7	700,4	665,5	304,9	0,17	80,46	78,57	83,23	0,15	80,49	78,35	86,24
128,0	261,0	6,3	0,3	6,5	532,1	74,4	114,2	602,7	492,5	696,9	662,7	306,0	0,17	80,53	78,63	82,97	0,15	80,51	78,39	86,07
129,0	262,0	6,2	0,3	6,2	525,1	74,5	113,9	593,8	493,0	692,8	659,5	307,2	0,17	80,61	78,69	82,75	0,15	80,55	78,46	85,67
130,0	263,0	6,1	0,3	6,1	519,4	74,6	113,0	586,0	492,9	688,6	656,1	308,4	0,17	80,64	78,74	82,61	0,15	80,58	78,51	85,32
131,0	264,0	6,1	0,4	6,0	514,0	74,7	112,4	577,7	492,6	684,2	652,4	309,5	0,17	80,71	78,79	82,37	0,15	80,62	78,57	84,97

* Elapsed	* Raw data row	* Weight Remaining	* CO	* CO ₂	*1 Flue Gas	*2 Room Temp	*3 Tunnel Dry Bulb	*4 Unit Top	*5 Unit Back	*6 Unit R.Side	*7 Unit L.Side	*8 Unit Bottom	Mass flow 1 Reading	DGM 1 Inlet T	DGM 1 Outlet T	Filter 1 Temp	Mass flow 2 Reading	DGM 2 Inlet T	DGM 2 Outlet T	Filter 2 Temp
Time		lbs	%	%	°F	°F	°F	°F	°F	°F	°F	°F	cuft/min	oF	oF	oF	cuft/min	oF	oF	oF
0,00	328,00	31,7	0,5	3,6	299,3	74,8	119,6	362,2	405,3	492,8	473,3	328,9	0,17	79,59	79,47	87,35	0,15	79,74	79,15	82,87
1,0	329,0	31,3	0,3	1,5	358,2	75,1	123,5	354,3	404,8	487,9	472,0	329,5	0,17	79,66	79,44	86,98	0,15	79,77	79,11	82,83
2,0	330,0	31,2	0,4	3,4	399,7	75,2	106,2	363,4	404,2	481,3	468,6	330,3	0,17	79,65	79,41	86,57	0,15	79,78	79,11	82,77
3,0	331,0	31,1	0,7	5,3	442,6	75,0	105,3	389,1	402,9	474,1	464,4	330,9	0,17	79,62	79,41	86,23	0,15	79,74	79,09	82,64
4,0	332,0	30,9	0,6	6,6	489,8	75,0	107,5	428,8	400,6	466,6	459,5	331,5	0,17	79,51	79,39	85,93	0,15	79,69	79,10	82,55
5,0	333,0	30,6	0,4	8,1	559,3	75,2	112,1	480,8	397,6	459,1	454,8	331,8	0,17	79,52	79,37	85,66	0,15	79,69	79,09	82,52
6,0	334,0	30,4	0,2	10,4	598,0	75,2	115,7	532,3	394,0	452,0	450,6	331,9	0,17	79,60	79,37	85,46	0,15	79,70	79,08	82,44
7,0	335,0	30,1	0,1	11,6	616,4	75,2	116,3	583,5	390,3	446,2	447,6	331,6	0,17	79,67	79,37	85,23	0,15	79,76	79,08	82,48
8,0	336,0	29,9	0,1	12,9	614,7	75,2	116,1	626,8	386,9	441,7	445,7	331,7	0,17	79,70	79,36	85,06	0,15	79,79	79,09	82,81
9,0	337,0	29,6	0,2	13,1	611,6	74,8	115,4	659,7	383,5	438,8	444,9	331,8	0,17	79,57	79,34	84,80	0,15	79,77	79,10	83,40
10,0	338,0	29,3	0,2	13,1	606,0	74,4	113,7	688,0	380,1	437,1	444,8	331,9	0,17	79,55	79,34	84,61	0,15	79,74	79,08	83,88
11,0	339,0	29,1	0,2	13,2	603,9	73,9	113,6	708,3	376,7	436,3	445,4	331,7	0,17	79,48	79,31	84,45	0,15	79,67	79,06	84,39
12,0	340,0	28,9	0,2	13,2	610,2	73,6	113,8	727,7	373,3	436,1	446,6	331,5	0,17	79,42	79,28	84,26	0,15	79,62	79,99	84,91
13,0	341,0	28,6	0,2	13,6	618,3	73,6	114,2	745,6	370,1	436,8	448,3	331,1	0,17	79,44	79,24	84,10	0,15	79,57	79,94	85,34
14,0	342,0	28,4	0,2	13,8	591,0	73,9	110,4	757,5	366,9	438,1	450,3	330,6	0,17	79,45	79,22	83,93	0,15	79,55	79,89	85,76
15,0	343,0	28,2	0,3	14,5	547,4	73,5	107,3	755,1	363,9	439,9	452,9	330,1	0,17	79,45	79,21	83,77	0,15	79,53	79,87	86,17
16,0	344,0	28,0	0,3	12,0	520,7	72,7	106,2	744,2	361,0	441,9	455,5	329,7	0,17	79,63	79,20	83,66	0,15	79,51	79,85	86,54
17,0	345,0	27,8	0,3	10,6	501,7	73,3	104,1	729,1	358,2	443,6	457,7	329,1	0,17	79,39	79,17	83,53	0,15	79,48	79,79	86,81
18,0	346,0	27,6	0,4	9,9	490,5	73,3	102,9	713,5	355,5	444,7	459,6	328,4	0,17	79,31	79,15	83,40	0,15	79,44	79,79	87,00
19,0	347,0	27,5	0,4	9,7	484,8	73,3	102,4	700,3	352,9	445,0	461,1	327,6	0,17	79,26	79,12	83,26	0,15	79,35	79,73	87,11
20,0	348,0	27,4	0,4	9,6	481,8	72,9	102,4	689,7	350,1	444,5	462,1	326,8	0,17	79,22	79,10	83,11	0,15	79,30	79,68	87,15
21,0	349,0	27,2	0,3	10,1	480,7	73,0	102,4	682,4	347,4	443,7	462,9	326,0	0,17	79,22	79,07	82,96	0,15	79,30	79,65	87,14
22,0	350,0	27,0	0,3	10,9	484,3	72,9	102,5	678,5	344,8	443,3	463,5	325,3	0,17	79,20	79,06	82,86	0,15	79,23	79,63	87,12
23,0	351,0	26,8	0,2	11,7	491,3	72,9	102,5	677,7	342,1	443,5	464,2	324,6	0,17	79,16	79,02	82,71	0,15	79,17	79,55	87,04
24,0	352,0	26,6	0,3	12,6	496,9	72,8	103,0	679,1	339,5	444,9	465,0	323,8	0,17	79,15	79,00	82,57	0,15	79,17	79,53	86,97
25,0	353,0	26,4	0,5	13,0	500,5	73,2	102,9	683,6	337,3	447,0	466,0	323,2	0,17	79,09	79,00	82,47	0,15	79,14	79,52	86,85
26,0	354,0	26,2	0,5	13,3	503,8	73,0	102,6	686,3	335,8	449,4	467,4	322,4	0,17	79,04	78,98	82,34	0,15	79,12	79,49	86,70
27,0	355,0	26,0	0,5	13,4	505,4	72,8	103,1	688,3	334,8	452,0	469,0	321,6	0,17	79,03	78,97	82,22	0,15	79,08	79,48	86,56
28,0	356,0	25,8	0,4	13,5	505,6	72,9	103,3	688,9	334,2	454,9	470,9	320,8	0,17	79,01	78,94	82,08	0,15	79,02	79,46	86,38
29,0	357,0	25,6	0,4	13,4	506,3	72,8	103,3	690,1	333,9	458,0	472,8	319,9	0,17	79,04	78,94	82,00	0,15	79,02	79,45	86,18
30,0	358,0	25,4	0,4	13,4	506,1	72,7	103,5	690,9	333,7	461,3	474,7	319,1	0,17	79,04	78,93	81,91	0,15	79,05	79,45	86,01
31,0	359,0	25,1	0,4	13,4	507,5	72,6	103,6	692,1	333,7	464,7	476,7	318,2	0,17	79,04	78,91	82,13	0,15	79,07	79,41	85,78
32,0	360,0	24,9	0,4	13,5	507,6	72,5	103,8	693,3	333,9	468,2	478,6	317,4	0,17	79,05	78,87	86,42	0,15	79,01	79,38	85,54
33,0	361,0	24,7	0,4	13,5	508,4	72,6	104,1	694,9	334,1	471,5	480,5	316,5	0,17	79,06	78,85	87,21	0,15	78,95	79,35	85,29
34,0	362,0	24,5	0,4	13,7	510,8	72,6	102,9	698,9	334,4	474,9	482,5	315,6	0,17	78,99	78,87	86,79	0,15	78,95	79,35	85,10
35,0	363,0	24,4	0,4	13,7	513,0	72,9	103,0	705,2	334,7	478,3	484,4	314,6	0,17	78,97	78,85	86,34	0,15	78,97	79,33	84,88
36,0	364,0	24,1	0,4	13,9	515,0	72,9	103,0	710,2	334,7	481,7	486,3	313,6	0,17	78,95	78,84	85,93	0,15	78,94	79,34	84,66
37,0	365,0	23,9	0,4	13,9	514,6	72,7	103,4	715,1	334,8	485,1	488,4	312,5	0,17	78,97	78,84	85,57	0,15	78,96	79,35	84,48
38,0	366,0	23,7	0,4	13,9	514,8	72,7	103,7	719,6	335,0	488,6	490,4	311,5	0,17	79,03	78,87	85,26	0,15	78,97	79,35	84,26
39,0	367,0	23,5	0,4	14,0	515,7	72,6	103,0	721,8	335,1	492,0	492,5	310,5	0,17	79,05	78,84	84,93	0,15	78,97	79,32	84,10
40,0	368,0	23,2	0,4	13,9	514,5	72,9	103,8	724,5	335,3	495,3	494,6	309,4	0,17	79,07	78,83	84,65	0,15	78,96	79,32	83,89
41,0	369,0	23,1	0,4	13,8	514,4	72,8	103,5	725,6	335,5	498,5	496,6	308,3	0,17	79,07	78,82	84,37	0,15	78,96	79,32	83,75
42,0	370,0	22,9	0,4	13,7	514,0	72,7	104,1	726,4	335,7	501,6	498,8	307,2	0,17	79,06	78,81	84,17	0,15	78,93	79,30	83,59
43,0	371,0	22,7	0,4	13,8	513,6	72,9	104,1	727,9	335,9	504,8	500,8	306,1	0,17	79,07	78,80	83,97	0,15	78,94	79,29	83,43
44,0	372,0	22,5	0,4	13,7	512,9	73,0	102,9	727,8	336,2	507,7	502,8	304,9	0,17	78,99	78,82	83,75	0,15	78,97	79,32	83,28
45,0	373,0	22,3	0,4	13,7	512,1	72,9	103,3	728,0	336,5	510,7	504,8	303,8	0,17	78,99	78,81	83,52	0,15	78,96	79,32	83,11
46,0	374,0	22,1	0,4	13,7	510,8	72,9	102,9	727,6	336,9	513,6	506,8	302,7	0,17	78,92	78,82	83,30	0,15	78,95	79,33	82,96
47,0	375,0	21,9	0,4	13,6	511,3	73,0	102,8	727,2	337,3	516,5	508,7	301,7	0,17	78,92	78,79	83,10	0,15	78,95	79,33	82,81
48,0	376,0	21,7	0,4	13,7	510,4	72,8	102,7	726,6	337,7	519,2	510,6	300,5	0,17	78,90	78,80	82,92	0,15	78,95	79,33	82,70
49,0	377,0	21,5	0,4	13,6	509,9	72,6	102,7	725,8	338,1	521,9	512,5	299,5	0,17	78,84	78,79	82,76	0,15	78,86	79,30	82,57
50,0	378,0	21,3	0,4	13,6	508,3	72,7	102,6	724,7	338,7	524,5	514,5	298,4	0,17	78,80	78,78	82,57	0,15	78,84	79,30	82,43
51,0	379,0	21,1	0,4	13,5	508,0	72,5	102,5	724,0	339,2	527,1	516,4	297,3	0,17	78,75	78,75	82,30	0,15	78,75	79,26	82,45
52,0	380,0	20,9	0,4	13,5	507,1	72,4	102,7	723,6	339,9	529,4	518,1	296,2	0,17	78,76	78,74	82,08	0,15	78,74	79,25	82,59
53,0	381,0	20,7	0,4	13,5	506,3	72,5	102,3	721,3	340,5	531,8	519,9	295,2	0,17	78,70	78,69	81,81	0,15	78,63	79,19	82,83
54,0	382,0	20,5	0,4	13,4	504,9	72,2	102,0	719,6	341,2	534,0	521,7	294,1	0,17	78,68	78,66	81,50	0,15	78,60	79,15	83,16
55,0	383,0	20,4	0,4	13,3	503,1	72,5	102,5	718,2	341,9	536,2	523,4	293,0	0,17	78,68	78,63	86,95	0,15	78,57	79,13	83,57
56,0	384,0	20,2	0,4	13,3	502,2	72,7	101,8	716,7	342,6	538,2	525,0	292,0	0,17	78,75	78,62	86,84	0,15	78,60	79,11	83,96
57,0	385,0	20,0	0,4	13,2	501,8	72,5	102,0	714,6	343,3	540,1										

82,0	410,0	15,6	0,3	13,4	489,5	72,6	101,3	682,4	363,3	576,5	564,2	271,0	0,17	78,75	78,68	82,47	0,15	78,84	78,20	84,55
83,0	411,0	15,4	0,3	13,4	490,5	72,8	100,6	682,4	364,3	577,6	565,4	270,4	0,17	78,75	78,69	82,31	0,15	78,84	78,20	84,37
84,0	412,0	15,3	0,3	13,4	489,9	72,9	101,3	682,2	365,1	578,6	566,5	269,9	0,17	78,75	78,67	82,22	0,15	78,84	78,20	84,18
85,0	413,0	15,1	0,3	13,2	490,9	72,9	101,1	682,2	366,0	579,6	567,5	269,4	0,17	78,71	78,63	82,09	0,15	78,85	78,19	83,99
86,0	414,0	14,9	0,3	13,4	491,1	73,0	100,8	682,6	367,1	580,7	568,7	268,9	0,17	78,65	78,67	82,02	0,15	78,82	78,21	83,80
87,0	415,0	14,8	0,3	13,3	489,5	72,4	100,6	682,4	368,1	581,8	569,8	268,3	0,17	78,71	78,65	81,91	0,15	78,84	78,22	83,62
88,0	416,0	14,6	0,3	13,2	488,8	72,9	100,6	681,5	369,0	582,8	570,7	267,8	0,17	78,74	78,64	82,83	0,15	78,83	78,21	83,44
89,0	417,0	14,4	0,3	13,2	488,9	73,0	101,3	681,0	370,1	583,9	571,8	267,3	0,17	78,77	78,62	84,22	0,15	78,81	78,19	83,31
90,0	418,0	14,3	0,3	13,3	488,4	72,9	100,9	681,2	371,1	584,9	572,7	266,9	0,17	78,81	78,61	85,30	0,15	78,81	78,17	83,16
91,0	419,0	14,2	0,2	13,4	488,8	72,8	100,7	682,0	372,1	586,1	573,6	266,5	0,17	78,79	78,61	85,50	0,15	78,78	78,16	83,03
92,0	420,0	14,0	0,3	13,4	489,0	72,7	101,6	682,2	373,0	587,2	574,5	266,0	0,17	78,81	78,59	85,31	0,15	78,79	78,14	82,88
93,0	421,0	13,8	0,2	13,6	490,0	72,6	101,0	683,0	374,0	588,2	575,6	265,6	0,17	78,81	78,60	85,07	0,15	78,81	78,15	82,71
94,0	422,0	13,7	0,2	13,7	490,2	72,8	100,7	683,5	374,9	589,2	576,5	265,3	0,17	78,84	78,58	84,84	0,15	78,82	78,15	82,57
95,0	423,0	13,5	0,2	13,7	491,1	73,0	100,5	684,2	375,8	590,2	577,5	264,9	0,17	78,77	78,59	84,59	0,15	78,81	78,14	82,41
96,0	424,0	13,4	0,2	13,7	491,1	72,8	100,5	684,9	376,8	591,2	578,7	264,6	0,17	78,75	78,58	84,35	0,15	78,83	78,15	82,33
97,0	425,0	13,2	0,2	13,7	490,5	72,6	100,2	685,4	377,8	592,1	579,8	264,3	0,17	78,75	78,59	84,00	0,15	78,79	78,15	82,43
98,0	426,0	13,1	0,2	13,7	491,4	72,7	100,9	686,3	378,7	593,0	580,9	264,0	0,17	78,74	78,54	83,64	0,15	78,74	78,12	82,69
99,0	427,0	12,9	0,2	13,7	490,6	72,5	100,3	686,6	379,9	594,0	582,0	263,8	0,17	78,71	78,53	83,36	0,15	78,67	78,09	83,10
100,0	428,0	12,8	0,2	13,6	489,2	72,3	100,5	687,3	380,9	595,0	582,9	263,6	0,17	78,67	78,48	83,06	0,15	78,62	78,04	83,51
101,0	429,0	12,6	0,2	13,6	488,8	72,7	100,0	686,5	382,0	596,1	583,9	263,3	0,17	78,69	78,45	82,77	0,15	78,59	78,01	83,96
102,0	430,0	12,5	0,2	13,5	487,3	72,6	100,1	686,6	383,1	597,2	584,9	263,1	0,17	78,70	78,44	82,50	0,15	78,59	78,00	84,43
103,0	431,0	12,4	0,2	13,3	484,4	72,5	99,9	685,3	384,3	598,3	585,8	263,0	0,17	78,64	78,42	82,26	0,15	78,53	77,95	84,84
104,0	432,0	12,2	0,2	13,0	481,2	72,7	99,9	683,7	385,5	599,4	586,9	262,8	0,17	78,66	78,41	82,02	0,15	78,53	77,96	85,21
105,0	433,0	12,0	0,2	12,6	477,6	72,8	99,7	680,8	386,8	600,4	587,7	262,5	0,17	78,70	78,42	81,84	0,15	78,57	77,96	85,57
106,0	434,0	11,9	0,2	12,4	475,4	72,6	99,2	676,8	388,1	601,5	588,3	262,3	0,17	78,70	78,42	82,13	0,15	78,59	77,96	85,94
107,0	435,0	11,8	0,2	12,3	473,0	72,8	99,1	672,5	389,3	602,5	588,8	262,1	0,17	78,65	78,38	83,24	0,15	78,57	77,95	86,27
108,0	436,0	11,6	0,2	12,3	471,0	72,9	99,4	669,9	390,5	603,3	589,2	261,9	0,17	78,67	78,38	84,21	0,15	78,54	77,93	86,50
109,0	437,0	11,5	0,2	12,3	470,7	73,0	98,6	665,4	391,7	604,2	589,5	261,8	0,17	78,68	78,38	84,95	0,15	78,54	77,92	86,64
110,0	438,0	11,4	0,2	12,3	468,9	73,1	98,6	664,7	392,8	605,1	589,8	261,6	0,17	78,64	78,36	85,40	0,15	78,51	77,91	86,70
111,0	439,0	11,3	0,2	12,1	466,7	73,1	98,7	662,7	394,0	606,0	590,1	261,6	0,17	78,69	78,40	85,25	0,15	78,59	77,93	86,72
112,0	440,0	11,1	0,3	11,9	464,5	72,9	98,7	659,2	395,2	606,9	590,2	261,4	0,17	78,69	78,39	84,99	0,15	78,60	77,92	86,65
113,0	441,0	11,0	0,2	11,7	459,8	72,8	98,6	655,1	396,5	607,7	590,3	261,4	0,17	78,70	78,41	84,74	0,15	78,64	77,93	86,59
114,0	442,0	10,9	0,2	11,6	457,3	73,0	98,7	651,1	397,7	608,5	590,0	261,4	0,17	78,68	78,38	84,46	0,15	78,62	77,93	86,44
115,0	443,0	10,8	0,2	11,6	453,7	73,1	98,6	647,1	398,9	609,2	589,8	261,4	0,17	78,56	78,38	84,19	0,15	78,56	77,93	86,34
116,0	444,0	10,7	0,2	11,4	450,3	72,8	97,7	641,7	400,1	609,9	589,4	261,4	0,17	78,52	78,38	83,96	0,15	78,57	77,93	86,16
117,0	445,0	10,6	0,2	11,3	445,9	73,2	97,3	636,2	401,4	610,6	589,1	261,4	0,17	78,52	78,40	83,67	0,15	78,59	77,96	86,01
118,0	446,0	10,4	0,2	11,2	442,8	73,2	97,2	630,2	402,5	611,2	588,6	261,5	0,17	78,52	78,40	83,45	0,15	78,59	77,98	85,79
119,0	447,0	10,4	0,2	11,1	439,1	72,7	97,4	623,9	403,7	611,6	588,0	261,6	0,17	78,48	78,39	83,25	0,15	78,54	77,97	85,60
120,0	448,0	10,2	0,3	10,9	435,6	72,8	97,1	618,5	404,7	611,9	587,4	261,6	0,17	78,48	78,38	83,04	0,15	78,58	77,98	85,39
121,0	449,0	10,2	0,3	10,8	432,8	72,6	96,6	612,4	405,9	612,0	586,8	261,7	0,17	78,50	78,40	82,85	0,15	78,56	77,97	85,19
122,0	450,0	10,0	0,3	10,8	429,6	72,9	96,2	606,5	406,9	612,1	586,0	261,7	0,17	78,49	78,38	82,67	0,15	78,54	77,95	84,98
123,0	451,0	9,9	0,3	10,7	427,5	73,0	96,7	601,2	407,9	611,9	585,2	261,8	0,17	78,53	78,39	82,47	0,15	78,58	77,92	84,78
124,0	452,0	9,8	0,3	10,6	424,7	73,2	96,0	595,5	408,8	611,8	584,3	261,9	0,17	78,58	78,39	82,35	0,15	78,60	77,95	84,59
125,0	453,0	9,7	0,3	10,6	423,0	73,1	95,5	591,7	409,7	611,4	583,5	261,8	0,17	78,52	78,40	82,20	0,15	78,58	77,96	84,39
126,0	454,0	9,6	0,3	10,6	420,6	73,0	95,0	585,4	410,4	611,0	582,3	261,8	0,17	78,42	78,43	82,03	0,15	78,60	78,00	84,19
127,0	455,0	9,6	0,3	10,6	419,2	73,1	95,7	581,6	411,2	610,7	581,5	261,8	0,17	78,39	78,43	81,87	0,15	78,65	78,05	83,98
128,0	456,0	9,4	0,3	10,7	418,0	73,1	95,7	578,0	411,9	610,4	580,4	261,9	0,17	78,44	78,44	81,75	0,15	78,66	78,06	83,81
129,0	457,0	9,3	0,3	10,6	416,4	72,8	95,5	574,0	412,5	610,2	579,4	262,0	0,17	78,50	78,44	82,24	0,15	78,68	78,06	83,58
130,0	458,0	9,3	0,3	10,6	415,0	73,0	94,9	571,1	413,1	610,3	578,5	262,1	0,17	78,52	78,42	83,25	0,15	78,69	78,03	83,35
131,0	459,0	9,1	0,3	10,7	416,8	72,9	94,8	569,0	413,8	609,9	577,4	262,1	0,17	78,48	78,41	84,10	0,15	78,57	78,03	83,23
132,0	460,0	9,0	0,3	10,7	417,3	72,5	95,4	567,6	414,4	609,8	576,3	262,2	0,17	78,46	78,38	84,79	0,15	78,57	77,98	83,06
133,0	461,0	9,0	0,2	10,9	418,7	72,9	95,4	566,5	415,1	609,7	575,3	262,1	0,17	78,46	78,37	85,28	0,15	78,56	78,01	82,91
134,0	462,0	8,8	0,2	10,8	421,0	72,9	95,3	567,2	415,7	609,7	574,1	262,2	0,17	78,47	78,38	85,31	0,15	78,56	78,01	82,76
135,0	463,0	8,7	0,2	10,9	422,7	72,7	95,4	567,7	416,2	609,8	573,0	262,1	0,17	78,44	78,35	85,05	0,15	78,52	78,00	82,58
136,0	464,0	8,6	0,2	11,1	424,1	72,6	95,6	568,9	416,7	610,0	571,8	262,2	0,17	78,41	78,34	84,71	0,15	78,48	77,99	82,54
137,0	465,0	8,5	0,2	11,3	427,9	72,7	95,0	570,7	417,2	610,1	570,7	262,2	0,17	78,40	78,34	84,29	0,15	78,46	77,95	82,73
138,0	466,0	8,4	0,2	11,4	428,4	72,7	95,4	573,4	417,7	610,2	569,6	262,2	0,17	78,38	78,34	83,89	0,15	78,42	77,94	83,07
139,0	467,0	8,3	0,2	11,3	428,0	72,9	94,7	577,6	418,2	610,3	568,5	262,2	0,17	78,32	78,29	83,51	0,15	78,35	77,89	83,50
140,0	468,0	8,2	0,2	11,1	422,8	72,6	94,9	577,8	418,7	610,5	567,6	262,2	0,17	78,23	78,24	83,21	0,15	78,28	77,84	83,97
141,0	469,0	8,2	0,3	10,3	415,6	72,4	94,4	575,4												

168,0	496,0	6,6	0,3	7,4	352,2	73,3	91,3	477,4	419,4	574,9	535,5	259,9	0,17	77,40	77,74	84,31	0,15	77,58	77,37	82,96
169,0	497,0	6,5	0,3	7,4	350,4	73,6	90,8	474,1	418,7	573,0	534,2	259,7	0,17	77,44	77,76	84,03	0,15	77,65	77,44	82,79
170,0	498,0	6,5	0,3	7,4	349,3	73,6	90,3	471,6	418,0	571,2	532,9	259,7	0,17	77,44	77,80	83,78	0,15	77,67	77,48	82,61
171,0	499,0	6,4	0,3	7,4	348,5	73,5	89,8	468,6	417,3	569,1	531,5	259,6	0,17	77,56	77,84	83,48	0,15	77,76	77,53	82,43
172,0	500,0	6,4	0,3	7,4	347,6	73,7	89,8	466,0	416,6	567,5	530,3	259,6	0,17	77,65	77,87	83,22	0,15	77,84	77,59	82,38
173,0	501,0	6,4	0,4	7,4	347,2	73,9	90,0	464,0	415,9	566,4	528,9	259,6	0,17	77,72	77,89	82,94	0,15	77,89	77,63	82,74
174,0	502,0	6,3	0,4	7,4	345,9	73,8	89,8	462,4	415,1	565,6	527,6	259,6	0,17	77,79	77,88	82,70	0,15	77,96	77,65	83,45
175,0	503,0	6,2	0,4	7,3	344,7	73,8	89,7	460,5	414,3	564,8	526,2	259,6	0,17	77,85	77,93	82,47	0,15	78,03	77,71	84,13
176,0	504,0	6,2	0,4	7,2	343,1	73,7	89,5	459,2	413,4	563,9	524,7	259,6	0,17	77,91	77,98	82,25	0,15	78,08	77,73	84,84
177,0	505,0	6,2	0,4	7,1	341,5	73,9	89,2	456,9	412,5	563,0	523,3	259,5	0,17	77,89	77,98	82,02	0,15	78,10	77,76	85,43
178,0	506,0	6,2	0,4	7,0	339,8	73,9	88,8	454,9	411,5	562,0	521,9	259,4	0,17	77,84	77,99	81,78	0,15	78,12	77,82	86,00
179,0	507,0	6,1	0,4	6,9	338,3	73,9	88,9	453,0	410,6	560,9	520,4	259,3	0,17	77,76	77,99	82,11	0,15	78,09	77,84	86,46
180,0	508,0	6,1	0,5	6,9	337,0	73,9	88,8	451,3	409,7	559,9	518,8	259,4	0,17	77,69	78,00	83,30	0,15	78,08	77,87	86,80
181,0	509,0	6,1	0,5	6,8	336,2	73,8	88,8	449,7	408,8	558,7	517,2	259,3	0,17	77,69	78,02	84,30	0,15	78,11	77,90	87,07
182,0	510,0	6,0	0,5	6,6	335,2	74,0	89,2	448,1	407,9	557,4	515,7	259,4	0,17	77,74	78,03	85,10	0,15	78,12	77,91	87,19
183,0	511,0	6,0	0,5	6,5	332,2	73,9	89,3	445,8	407,0	555,7	514,2	259,4	0,17	77,78	78,06	85,44	0,15	78,14	77,93	87,29
184,0	512,0	5,9	0,5	6,5	330,4	74,1	89,3	443,6	406,0	554,1	512,7	259,5	0,17	77,75	78,05	85,22	0,15	78,12	77,93	87,27
185,0	513,0	5,9	0,5	6,5	327,8	74,2	88,7	440,7	405,0	552,1	511,2	259,6	0,17	77,75	78,06	84,91	0,15	78,16	77,97	87,25
186,0	514,0	5,9	0,7	6,0	326,3	74,1	88,8	438,3	404,1	550,0	509,6	259,6	0,17	77,74	78,07	84,59	0,15	78,16	77,99	87,13
187,0	515,0	5,9	0,5	6,3	325,1	74,1	88,5	436,0	403,2	547,9	508,0	259,7	0,17	77,68	78,08	84,25	0,15	78,15	78,01	87,02
188,0	516,0	5,8	0,6	6,4	323,4	74,4	88,0	433,5	402,3	545,9	506,4	259,9	0,17	77,63	78,08	83,93	0,15	78,14	78,01	86,88
189,0	517,0	5,8	0,6	6,3	318,1	74,1	88,7	430,4	401,5	543,7	504,8	260,0	0,17	77,65	78,06	83,65	0,15	78,14	78,02	86,67
190,0	518,0	5,8	1,2	5,2	314,9	74,2	88,3	426,9	400,6	540,8	502,9	260,0	0,17	77,60	78,05	83,37	0,15	78,09	78,02	86,49
191,0	519,0	5,8	1,2	5,0	312,4	74,1	87,8	423,0	399,6	537,6	500,6	260,1	0,17	77,66	78,07	83,10	0,15	78,11	78,02	86,25
192,0	520,0	5,7	1,3	5,0	310,6	74,3	87,9	419,2	398,4	534,7	498,1	260,2	0,17	77,71	78,09	82,84	0,15	78,15	78,01	86,04
193,0	521,0	5,7	1,3	5,0	308,2	74,2	87,9	415,6	397,1	531,3	495,5	260,4	0,17	77,67	78,07	82,59	0,15	78,12	78,00	85,85
194,0	522,0	5,6	1,2	5,0	305,9	74,2	87,8	411,7	395,7	528,3	492,9	260,7	0,17	77,64	78,09	82,34	0,15	78,16	78,03	85,61
195,0	523,0	5,6	1,2	5,0	305,0	74,2	88,0	409,1	394,2	525,2	490,2	260,9	0,17	77,56	78,06	82,10	0,15	78,10	78,03	85,35
196,0	524,0	5,6	1,0	5,4	302,7	74,3	87,4	405,3	392,6	522,2	487,6	261,0	0,17	77,56	78,05	81,91	0,15	78,07	78,02	85,09
197,0	525,0	5,5	1,2	5,0	300,8	74,1	87,0	402,1	391,0	519,4	485,3	261,1	0,17	77,57	78,01	81,92	0,15	78,03	77,97	84,82
198,0	526,0	5,5	1,2	5,0	300,2	74,2	86,4	399,1	389,5	516,6	482,8	261,2	0,17	77,50	78,02	82,98	0,15	78,03	77,97	84,61
199,0	527,0	5,5	0,9	5,6	297,7	74,0	86,7	396,4	388,0	514,0	480,4	261,3	0,17	77,51	78,03	84,02	0,15	78,04	77,98	84,35
200,0	528,0	5,4	1,2	5,0	296,7	73,9	86,3	393,7	386,4	511,5	478,1	261,3	0,17	77,53	78,02	84,87	0,15	78,02	77,98	84,13
201,0	529,0	5,4	1,2	5,0	294,1	74,1	86,4	390,9	384,9	509,1	475,9	261,4	0,17	77,52	78,05	85,54	0,15	78,03	77,99	83,91
202,0	530,0	5,4	1,2	5,0	292,7	73,9	86,4	388,1	383,4	506,6	473,6	261,5	0,17	77,52	78,03	85,57	0,15	78,01	77,97	83,65
203,0	531,0	5,4	1,2	4,9	291,5	73,9	86,6	385,5	381,8	504,2	471,5	261,6	0,17	77,42	78,03	85,27	0,15	77,97	77,97	83,45
204,0	532,0	5,3	1,1	4,9	290,0	73,9	86,3	382,9	380,3	501,8	469,3	261,3	0,17	77,43	78,01	84,92	0,15	77,99	77,97	83,20
205,0	533,0	5,3	1,1	4,8	288,8	73,9	86,5	380,2	378,6	499,6	467,1	261,5	0,17	77,46	78,00	84,57	0,15	77,99	77,97	82,99
206,0	534,0	5,3	1,1	4,8	287,5	74,0	86,4	378,3	377,1	497,2	465,0	261,6	0,17	77,41	77,98	84,24	0,15	77,94	77,93	82,78
207,0	535,0	5,3	1,1	4,9	286,2	74,2	85,7	375,3	375,6	494,8	463,1	261,4	0,17	77,32	77,96	83,96	0,15	77,91	77,93	82,56
208,0	536,0	5,3	1,1	4,9	284,6	74,1	85,8	373,4	374,0	492,7	461,0	261,1	0,17	77,22	77,94	83,63	0,15	77,84	77,93	82,50
209,0	537,0	5,2	1,1	4,9	283,6	74,3	85,9	370,7	372,5	490,7	459,1	260,9	0,17	77,18	77,94	83,30	0,15	77,80	77,91	82,80
210,0	538,0	5,2	1,1	4,9	282,1	74,3	85,6	368,9	371,0	488,7	457,4	260,5	0,17	77,20	77,90	82,99	0,15	77,79	77,92	83,34
211,0	539,0	5,2	1,1	4,9	280,8	74,4	85,9	366,9	369,6	486,7	455,6	260,3	0,17	77,21	77,91	82,73	0,15	77,80	77,91	83,96
212,0	540,0	5,2	1,1	4,9	279,4	74,4	86,3	364,8	368,2	484,9	453,9	260,3	0,17	77,16	77,87	82,43	0,15	77,77	77,90	84,49
213,0	541,0	5,2	1,1	4,9	279,0	74,3	85,0	363,0	366,8	483,0	452,2	260,1	0,17	77,07	77,87	82,19	0,15	77,71	77,88	85,17
214,0	542,0	5,1	1,1	4,9	278,0	74,2	85,8	361,3	365,6	481,3	450,7	260,2	0,17	77,11	77,86	81,93	0,15	77,72	77,89	85,74
215,0	543,0	5,1	1,1	4,9	277,2	74,3	85,5	359,7	364,3	479,6	449,2	260,4	0,17	77,14	77,85	81,73	0,15	77,72	77,89	86,28
216,0	544,0	5,1	1,1	4,9	276,5	74,3	84,8	357,8	363,1	478,0	447,9	260,5	0,17	77,09	77,83	82,56	0,15	77,67	77,87	86,73
217,0	545,0	5,1	1,1	4,9	275,3	74,2	85,4	356,5	361,9	476,3	446,5	260,5	0,17	77,04	77,79	82,51	0,15	77,62	77,84	87,01
218,0	546,0	5,1	1,1	5,0	274,5	74,3	84,6	355,0	360,8	474,7	445,2	260,4	0,17	77,12	77,78	84,47	0,15	77,65	77,84	87,22
219,0	547,0	5,0	1,1	5,0	273,5	74,2	85,1	353,8	359,7	473,2	443,9	260,5	0,17	77,13	77,78	85,32	0,15	77,65	77,84	87,35
220,0	548,0	5,0	1,1	5,0	273,2	74,1	85,1	352,7	358,6	471,7	442,6	260,8	0,17	77,13	77,79	85,63	0,15	77,68	77,84	87,38
221,0	549,0	5,0	1,1	4,9	272,6	73,9	84,5	351,0	357,5	470,3	441,4	260,8	0,17	77,09	77,75	85,36	0,15	77,64	77,82	87,36
222,0	550,0	5,0	1,1	4,9	271,3	74,1	84,7	350,0	356,4	468,8	440,3	260,9	0,17	76,95	77,74	84,99	0,15	77,58	77,79	87,26
223,0	551,0	4,9	1,1	5,0	270,7	74,1	84,9	348,5	355,5	467,6	439,1	261,0	0,17	77,00	77,69	84,64	0,15	77,55	77,77	87,12
224,0	552,0	4,9	1,1	5,0	270,4	74,1	84,6	347,7	354,5	466,1	438,0	260,7	0,17	76,92	77,69	84,27	0,15	77,51	77,74	86,94
225,0	553,0	4,9	1,1	5,0	269,4	74,1	84,8	346,4	353,7	464,9	437,1	261,0	0,17	76,89	77,66	83,91	0,15	77,47	77,73	86,77
226,0	554,0	4,9	1,1	5,0	269,4	73,9	84,7	345,8	352,8	463,8	436,1	261,2	0,17	76,85	77,64	83,58	0,15	77,43	77,73	86,55
227,0	555,0	4,9	1,1	5,0	269,3	74,0	84,2	344,4	351,9	462,7	435,2	261,5	0,17	76,75	77,60	83,29	0,15	77,37	77,	

254,0	582,0	4,3	1,0	4,9	260,3	73,6	82,7	330,2	339,4	443,7	422,2	265,6	0,17	76,06	77,08	84,84	0,15	76,63	77,24	87,13
255,0	583,0	4,3	1,0	4,9	260,3	73,6	82,6	330,5	339,2	443,1	422,0	265,7	0,17	76,08	77,05	85,27	0,15	76,63	77,23	87,09
256,0	584,0	4,3	1,0	4,9	260,0	73,6	83,0	330,4	338,9	442,6	421,7	266,0	0,17	76,04	77,04	85,21	0,15	76,60	77,22	87,03
257,0	585,0	4,3	1,0	4,9	258,9	73,4	82,8	330,0	338,8	442,0	421,5	266,2	0,17	76,00	77,02	84,88	0,15	76,56	77,21	86,88
258,0	586,0	4,2	1,0	4,8	258,2	73,4	83,0	329,7	338,6	441,5	421,2	266,3	0,17	75,95	76,98	84,50	0,15	76,53	77,15	86,70
259,0	587,0	4,2	1,0	4,8	257,7	73,6	82,7	329,5	338,4	441,0	421,0	266,5	0,17	75,94	76,94	84,14	0,15	76,49	77,15	86,51
260,0	588,0	4,2	1,0	4,8	257,6	73,5	82,6	329,2	338,2	440,4	420,7	266,7	0,17	75,95	76,94	83,80	0,15	76,47	77,12	86,30
261,0	589,0	4,2	1,0	4,8	256,9	73,4	82,9	328,6	338,0	439,8	420,4	266,9	0,17	75,97	76,92	83,46	0,15	76,48	77,10	86,08
262,0	590,0	4,1	1,0	4,8	256,7	73,5	82,8	328,1	337,9	439,3	420,1	267,1	0,17	75,87	76,87	83,11	0,15	76,41	77,08	85,81
263,0	591,0	4,1	1,0	4,8	255,9	73,5	82,6	327,7	337,8	438,6	419,8	267,3	0,17	75,82	76,85	82,78	0,15	76,37	77,04	85,49
264,0	592,0	4,1	1,0	4,8	255,6	73,5	82,4	327,2	337,6	438,1	419,6	267,5	0,17	75,79	76,82	82,47	0,15	76,32	77,05	85,21
265,0	593,0	4,1	1,0	4,8	255,0	73,4	82,3	326,5	337,5	437,5	419,2	267,7	0,17	75,75	76,78	82,15	0,15	76,28	77,02	84,91
266,0	594,0	4,1	1,0	4,8	255,1	73,4	82,3	326,2	337,3	436,9	418,9	267,9	0,17	75,70	76,73	81,91	0,15	76,25	76,99	84,65
267,0	595,0	4,0	1,0	4,8	254,5	73,5	82,6	325,8	337,2	436,3	418,6	268,0	0,17	75,69	76,72	81,71	0,15	76,23	76,99	84,37
268,0	596,0	4,0	1,0	4,8	254,5	73,3	82,2	325,1	337,1	435,8	418,2	268,2	0,17	75,74	76,71	82,45	0,15	76,23	76,98	84,09
269,0	597,0	4,0	1,0	4,8	254,3	73,4	82,2	324,7	337,0	435,2	417,9	268,4	0,17	75,75	76,69	83,33	0,15	76,21	76,94	83,82
270,0	598,0	4,0	1,0	4,8	254,2	73,3	82,2	324,4	337,0	434,7	417,5	268,7	0,17	75,78	76,71	84,07	0,15	76,26	76,93	83,56
271,0	599,0	4,0	1,0	4,8	254,1	73,4	82,2	323,9	336,9	434,2	417,2	268,8	0,17	75,82	76,69	84,69	0,15	76,26	76,92	83,30
272,0	600,0	4,0	1,0	4,9	254,1	73,4	82,0	323,8	336,9	433,7	416,8	268,9	0,17	75,73	76,66	85,21	0,15	76,20	76,89	83,08
273,0	601,0	3,9	1,0	4,8	253,9	73,3	82,0	323,6	336,8	433,2	416,5	269,1	0,17	75,70	76,65	85,35	0,15	76,18	76,87	82,82
274,0	602,0	3,9	1,0	4,9	254,1	73,3	82,2	322,9	336,8	432,8	416,1	269,3	0,17	75,66	76,61	85,03	0,15	76,15	76,84	82,54
275,0	603,0	3,9	1,0	4,9	254,1	73,4	82,1	322,9	336,8	432,4	415,9	269,5	0,17	75,63	76,57	84,66	0,15	76,12	76,82	82,53
276,0	604,0	3,9	1,0	4,9	253,7	73,4	81,9	322,6	336,9	432,0	415,6	269,6	0,17	75,59	76,56	84,26	0,15	76,07	76,80	82,88
277,0	605,0	3,9	1,0	4,9	253,5	73,3	82,1	322,7	336,9	431,6	415,4	269,8	0,17	75,56	76,53	83,91	0,15	76,04	76,79	83,48
278,0	606,0	3,8	1,0	4,9	253,7	73,3	82,0	322,3	337,0	431,3	415,2	270,0	0,17	75,56	76,51	83,53	0,15	76,03	76,77	84,20
279,0	607,0	3,8	1,0	4,9	253,6	73,3	81,9	322,5	337,0	431,0	415,0	270,2	0,17	75,56	76,47	83,16	0,15	76,02	76,77	84,85
280,0	608,0	3,8	1,0	4,9	253,2	73,4	81,6	322,0	337,0	430,7	414,7	270,3	0,17	75,52	76,49	82,83	0,15	76,00	76,76	85,45
281,0	609,0	3,8	1,0	4,9	253,8	73,3	81,4	322,0	337,1	430,4	414,6	270,5	0,17	75,47	76,43	82,51	0,15	75,95	76,73	85,98
282,0	610,0	3,7	1,0	4,9	252,9	73,3	82,0	322,2	337,2	430,2	414,4	270,6	0,17	75,43	76,44	82,22	0,15	75,92	76,70	86,49
283,0	611,0	3,8	1,0	5,0	253,6	73,2	82,1	321,9	337,2	429,9	414,4	270,8	0,17	75,38	76,41	81,94	0,15	75,90	76,70	86,79
284,0	612,0	3,7	1,0	4,9	253,1	73,2	82,0	322,4	337,4	429,7	414,3	271,0	0,17	75,43	76,39	81,99	0,15	75,92	76,68	86,97
285,0	613,0	3,7	1,1	5,0	253,4	73,2	82,0	322,2	337,5	429,6	414,3	271,2	0,17	75,43	76,40	82,47	0,15	75,91	76,69	87,05
286,0	614,0	3,7	1,1	5,0	253,0	73,2	81,8	321,9	337,6	429,4	414,2	271,4	0,17	75,43	76,37	83,02	0,15	75,91	76,65	87,08
287,0	615,0	3,7	1,1	5,0	252,9	73,2	81,9	322,1	337,8	429,3	414,2	271,6	0,17	75,44	76,36	83,53	0,15	75,91	76,63	87,07
288,0	616,0	3,6	1,1	5,0	253,5	73,2	81,8	322,0	337,9	429,3	414,3	271,8	0,17	75,45	76,35	83,93	0,15	75,92	76,64	87,01
289,0	617,0	3,6	1,1	5,0	253,4	73,2	81,7	321,8	338,1	429,3	414,2	271,9	0,17	75,42	76,34	84,29	0,15	75,87	76,61	86,92
290,0	618,0	3,6	1,1	5,0	253,7	73,2	81,6	322,1	338,2	429,3	414,2	272,0	0,17	75,45	76,33	84,62	0,15	75,89	76,59	86,73
291,0	619,0	3,6	1,1	5,1	253,3	73,1	81,6	321,7	338,4	429,4	414,2	272,2	0,17	75,45	76,31	84,85	0,15	75,87	76,58	86,57
292,0	620,0	3,5	1,1	5,1	253,4	73,3	81,5	321,6	338,5	429,6	414,2	272,3	0,17	75,41	76,28	84,99	0,15	75,83	76,54	86,35
293,0	621,0	3,5	1,1	5,0	253,6	73,2	81,3	321,6	338,7	429,7	414,2	272,5	0,17	75,39	76,25	85,14	0,15	75,84	76,54	86,11
294,0	622,0	3,5	1,1	5,0	253,3	73,2	81,7	321,2	338,9	429,8	414,2	272,6	0,17	75,36	76,24	84,89	0,15	75,78	76,51	85,87
295,0	623,0	3,5	1,1	5,0	253,4	73,2	81,4	321,3	339,0	430,0	414,1	272,7	0,17	75,33	76,22	84,56	0,15	75,78	76,49	85,57
296,0	624,0	3,5	1,1	5,0	253,3	73,2	81,9	321,0	339,2	430,1	414,1	272,9	0,17	75,33	76,17	84,22	0,15	75,75	76,44	85,32
297,0	625,0	3,4	1,1	5,1	253,4	73,0	81,8	320,9	339,4	430,2	414,1	273,1	0,17	75,32	76,14	83,89	0,15	75,75	76,42	85,03
298,0	626,0	3,4	1,1	5,0	253,4	73,0	81,9	320,8	339,6	430,4	414,1	273,3	0,17	75,29	76,15	83,56	0,15	75,71	76,43	84,76
299,0	627,0	3,5	1,1	5,0	253,4	73,1	82,0	320,6	339,9	430,6	414,1	273,5	0,17	75,27	76,13	83,22	0,15	75,68	76,41	84,44
300,0	628,0	3,4	1,1	5,0	253,4	73,1	81,9	320,1	340,1	430,7	414,1	273,7	0,17	75,29	76,12	82,94	0,15	75,70	76,38	84,13
301,0	629,0	3,4	1,1	5,0	253,8	73,1	81,7	320,0	340,4	430,8	414,0	273,8	0,17	75,31	76,10	82,62	0,15	75,71	76,39	83,86
302,0	630,0	3,3	1,1	5,0	253,3	73,1	81,4	320,1	340,5	430,2	414,0	274,0	0,17	75,26	76,07	82,33	0,15	75,68	76,34	83,58
303,0	631,0	3,3	1,1	5,0	253,4	73,1	81,4	320,0	340,8	431,1	413,9	274,2	0,17	75,26	76,07	82,03	0,15	75,68	76,34	83,26
304,0	632,0	3,3	1,1	4,9	252,5	73,0	81,8	320,1	341,0	431,1	413,9	274,3	0,17	75,30	76,05	81,76	0,15	75,70	76,32	83,00
305,0	633,0	3,3	1,1	4,8	252,4	73,2	81,8	320,1	341,3	431,0	413,9	274,4	0,17	75,30	76,05	81,58	0,15	75,69	76,31	82,75
306,0	634,0	3,3	1,1	4,8	252,1	73,0	81,4	319,9	341,5	430,9	413,8	274,6	0,17	75,30	76,04	81,98	0,15	75,67	76,27	82,49
307,0	635,0	3,2	1,0	4,8	251,8	73,0	81,3	319,8	341,8	430,7	413,7	274,7	0,17	75,26	76,02	82,22	0,15	75,64	76,25	82,38
308,0	636,0	3,2	1,0	4,8	251,4	73,0	81,0	319,6	342,0	430,6	413,6	274,8	0,17	75,25	76,02	82,67	0,15	75,65	76,26	82,52
309,0	637,0	3,2	1,0	4,8	251,2	73,2	81,0	319,6	342,3	430,4	413,3	274,9	0,17	75,25	76,01	83,00	0,15	75,63	76,23	82,84
310,0	638,0	3,2	1,0	4,8	251,2	73,1	81,0	319,2	342,5	430,2	413,1	275,0	0,17	75,24	75,97	83,39	0,15	75,64	76,22	83,22
311,0	639,0	3,2	1,0	4,8	251,2	73,0	81,0	319,0	342,7	430,0	413,0	275,0	0,17	75,24	75,98	83,61	0,15	75,63	76,20	83,69
312,0	640,0	3,1	1,0	4,8	251,4	73,0	81,1	319,2	342,9	429,8	412,8	275,1	0,17	75,19	75,94	83,56	0,15	75,63	76,20	84,18
313,0	641,0	3,1	1,0	4,8	251,2	73,1	81,0	319,0	343,2	429,7	412,6	275,2	0,17	75,20	75,95	83,58	0,15	75,62	76,	

340,0	668,0	2,6	1,0	4,8	247,9	72,9	80,7	315,9	348,9	430,3	407,7	275,9	0,17	74,90	75,55	82,99	0,15	75,28	75,88	82,61
341,0	669,0	2,6	1,0	4,8	247,9	72,8	80,5	315,7	349,1	430,2	407,6	275,9	0,17	74,89	75,53	83,12	0,15	75,27	75,85	82,47
342,0	670,0	2,6	1,0	4,8	248,0	72,9	80,4	315,5	349,5	430,1	407,4	275,8	0,17	74,89	75,54	83,26	0,15	75,28	75,85	82,65
343,0	671,0	2,6	1,0	4,8	247,9	72,9	80,5	315,4	349,7	430,0	407,4	275,8	0,17	74,87	75,52	83,20	0,15	75,25	75,83	82,93
344,0	672,0	2,5	1,0	4,7	248,3	72,9	80,6	315,5	349,9	429,8	407,3	275,8	0,17	74,92	75,53	83,06	0,15	75,25	75,82	83,32
345,0	673,0	2,5	1,0	4,7	247,6	73,0	80,3	315,2	350,1	429,7	407,2	275,8	0,17	74,94	75,51	82,98	0,15	75,27	75,83	83,73
346,0	674,0	2,5	1,0	4,8	247,8	72,9	80,5	315,1	350,4	429,6	407,1	275,8	0,17	74,91	75,51	82,94	0,15	75,26	75,80	84,19
347,0	675,0	2,5	1,0	4,8	247,8	72,9	80,5	314,7	350,6	429,5	406,9	275,7	0,17	74,91	75,51	82,92	0,15	75,26	75,80	84,61
348,0	676,0	2,5	1,0	4,8	247,5	72,8	80,4	314,8	350,7	429,4	406,8	275,8	0,17	74,89	75,49	82,94	0,15	75,26	75,80	84,99
349,0	677,0	2,5	1,0	4,8	247,8	72,8	80,6	314,9	351,0	429,3	406,7	275,8	0,17	74,87	75,49	82,85	0,15	75,23	75,77	85,42
350,0	678,0	2,4	1,0	4,8	247,5	72,8	80,2	314,2	351,2	429,2	406,7	275,8	0,17	74,84	75,46	82,72	0,15	75,22	75,74	85,70
351,0	679,0	2,4	1,0	4,8	247,6	72,8	80,3	314,2	351,4	429,1	406,5	275,8	0,17	74,85	75,45	82,86	0,15	75,19	75,74	86,00
352,0	680,0	2,4	1,0	4,7	247,6	72,8	80,6	314,2	351,5	429,0	406,4	275,9	0,17	74,82	75,44	83,12	0,15	75,21	75,74	86,34
353,0	681,0	2,4	1,0	4,7	247,5	72,7	80,6	313,8	351,7	428,9	406,3	275,9	0,17	74,82	75,44	83,32	0,15	75,21	75,74	86,63
354,0	682,0	2,4	1,0	4,7	247,5	72,8	80,6	313,9	351,9	428,9	406,2	275,9	0,17	74,76	75,43	83,43	0,15	75,20	75,74	86,80
355,0	683,0	2,4	1,0	4,7	247,4	72,7	80,4	313,5	352,0	428,7	406,1	276,0	0,17	74,80	75,40	83,55	0,15	75,19	75,72	86,88
356,0	684,0	2,3	1,0	4,7	247,1	72,8	80,4	313,5	352,1	428,5	406,0	276,0	0,17	74,82	75,41	83,53	0,15	75,21	75,70	86,89
357,0	685,0	2,3	1,0	4,7	247,2	72,8	80,3	313,7	352,3	428,4	405,9	276,1	0,17	74,82	75,41	83,62	0,15	75,19	75,69	86,86
358,0	686,0	2,3	1,0	4,7	246,8	72,8	80,4	313,5	352,4	428,3	405,7	276,2	0,17	74,83	75,41	83,65	0,15	75,22	75,70	86,78
359,0	687,0	2,3	1,0	4,8	246,9	72,7	80,7	313,3	352,6	428,2	405,6	276,2	0,17	74,80	75,37	83,60	0,15	75,19	75,68	86,62
360,0	688,0	2,3	1,0	4,8	246,8	72,8	80,4	312,7	352,7	428,1	405,5	276,3	0,17	74,80	75,38	83,65	0,15	75,21	75,68	86,47
361,0	689,0	2,2	1,0	4,8	246,9	72,8	80,4	313,0	352,9	427,9	405,4	276,3	0,17	74,81	75,36	83,68	0,15	75,20	75,66	86,28
362,0	690,0	2,2	1,0	4,8	246,7	72,8	80,1	312,9	353,0	427,9	405,3	276,4	0,17	74,80	75,35	83,65	0,15	75,17	75,65	86,05
363,0	691,0	2,2	1,0	4,8	246,1	72,8	80,2	312,8	353,1	427,7	405,2	276,4	0,17	74,77	75,34	83,59	0,15	75,17	75,65	85,81
364,0	692,0	2,2	1,0	4,8	246,4	72,7	80,5	312,6	353,3	427,7	405,1	276,5	0,17	74,77	75,33	83,51	0,15	75,15	75,63	85,57
365,0	693,0	2,2	1,0	4,8	246,6	72,7	80,2	312,3	353,5	427,6	404,9	276,6	0,17	74,73	75,33	83,42	0,15	75,15	75,63	85,26
366,0	694,0	2,1	1,0	4,7	246,2	72,7	80,3	311,9	353,6	427,5	404,8	276,7	0,17	74,78	75,32	83,35	0,15	75,15	75,63	84,97
367,0	695,0	2,1	1,0	4,8	246,1	72,7	80,2	311,5	353,8	427,4	404,6	276,7	0,17	74,80	75,33	83,39	0,15	75,17	75,62	84,69
368,0	696,0	2,1	1,0	4,8	246,5	72,9	80,2	310,6	353,9	427,2	404,4	276,8	0,17	74,77	75,31	83,66	0,15	75,14	75,62	84,39
369,0	697,0	2,1	1,0	4,8	246,0	72,8	80,6	310,5	354,1	427,1	404,3	276,8	0,17	74,78	75,29	84,00	0,15	75,13	75,59	84,11
370,0	698,0	2,1	1,0	4,8	246,1	72,8	80,3	310,2	354,3	427,0	404,1	276,9	0,17	74,80	75,30	83,97	0,15	75,15	75,59	83,82
371,0	699,0	2,1	1,0	4,8	246,4	72,7	80,2	310,4	354,5	427,0	403,9	276,9	0,17	74,84	75,30	83,94	0,15	75,16	75,57	83,55
372,0	700,0	2,0	1,0	4,8	246,3	72,8	80,3	310,0	354,8	426,9	403,7	277,1	0,17	74,83	75,29	84,02	0,15	75,15	75,53	83,26
373,0	701,0	2,1	1,0	4,8	246,4	72,7	80,2	310,0	355,0	426,8	403,6	277,2	0,17	74,82	75,29	84,13	0,15	75,15	75,55	82,99
374,0	702,0	2,0	1,0	4,8	246,0	72,7	80,3	309,7	355,2	426,7	403,4	277,3	0,17	74,79	75,24	84,07	0,15	75,12	75,54	82,72
375,0	703,0	2,0	1,0	4,9	246,3	72,8	80,1	309,9	355,6	426,6	403,3	277,4	0,17	74,78	75,27	83,83	0,15	75,13	75,53	82,51
376,0	704,0	2,0	1,0	4,9	245,8	72,8	80,0	309,7	356,0	426,5	403,1	277,5	0,17	74,80	75,25	83,39	0,15	75,11	75,50	82,57
377,0	705,0	1,9	1,0	4,9	246,1	72,7	80,0	309,8	356,3	426,5	403,0	277,6	0,17	74,80	75,26	83,12	0,15	75,10	75,50	82,78
378,0	706,0	1,9	1,0	4,9	246,3	72,6	80,0	309,9	356,7	426,4	402,9	277,7	0,17	74,77	75,23	82,90	0,15	75,11	75,49	83,09
379,0	707,0	1,9	1,0	4,9	246,8	72,7	80,2	309,6	357,1	426,3	402,9	277,7	0,17	74,73	75,21	82,95	0,15	75,08	75,49	83,44
380,0	708,0	1,9	0,9	4,9	246,9	72,8	80,0	309,7	357,5	426,3	402,8	277,8	0,17	74,72	75,21	83,04	0,15	75,06	75,46	83,89
381,0	709,0	1,9	0,9	4,9	247,0	72,7	79,9	309,8	357,9	426,3	402,9	277,9	0,17	74,75	75,22	83,04	0,15	75,08	75,46	84,35
382,0	710,0	1,9	0,9	4,9	247,4	72,7	80,1	309,7	358,4	426,3	402,9	278,0	0,17	74,78	75,20	82,88	0,15	75,08	75,48	84,81
383,0	711,0	1,8	0,9	4,9	246,9	72,7	80,1	309,4	358,9	426,3	403,0	278,1	0,17	74,75	75,20	82,82	0,15	75,08	75,46	85,29
384,0	712,0	1,8	0,9	4,9	246,9	72,7	80,1	309,8	359,3	426,2	403,1	278,2	0,17	74,80	75,20	82,84	0,15	75,12	75,46	85,69
385,0	713,0	1,8	0,9	4,9	247,4	72,7	79,9	309,8	359,8	426,2	403,2	278,4	0,17	74,82	75,19	82,92	0,15	75,11	75,44	86,02
386,0	714,0	1,8	0,9	5,0	247,3	72,7	80,1	310,1	360,2	426,3	403,4	278,5	0,17	74,80	75,20	82,97	0,15	75,11	75,43	86,35
387,0	715,0	1,7	0,9	5,0	247,5	72,6	80,4	310,2	360,7	426,3	403,6	278,7	0,17	74,80	75,20	83,00	0,15	75,11	75,42	86,59
388,0	716,0	1,7	1,0	5,0	247,6	72,6	80,5	310,5	361,0	426,4	404,1	278,9	0,17	74,81	75,19	83,09	0,15	75,11	75,43	86,77
389,0	717,0	1,7	1,0	5,0	248,0	72,6	80,4	310,7	361,5	426,5	404,5	279,0	0,17	74,76	75,18	83,12	0,15	75,11	75,41	86,83
390,0	718,0	1,7	1,0	5,0	248,2	72,7	80,2	311,2	362,0	426,6	404,9	279,1	0,17	74,70	75,17	83,14	0,15	75,07	75,39	86,82
391,0	719,0	1,7	1,0	5,0	248,4	72,6	80,2	311,5	362,5	426,7	405,3	279,4	0,17	74,73	75,15	83,26	0,15	75,07	75,41	86,76
392,0	720,0	1,6	1,0	5,0	248,7	72,5	80,2	311,6	362,9	426,8	405,6	279,5	0,17	74,69	75,13	83,37	0,15	75,06	75,39	86,64
393,0	721,0	1,6	1,0	5,0	248,9	72,6	80,3	312,0	363,3	427,0	405,9	279,7	0,17	74,65	75,11	83,38	0,15	75,02	75,38	86,49
394,0	722,0	1,6	1,0	5,0	248,8	72,7	80,4	312,1	363,7	427,1	406,2	279,9	0,17	74,63	75,10	83,36	0,15	75,02	75,38	86,32
395,0	723,0	1,6	1,0	5,0	249,0	72,6	80,3	312,6	364,2	427,3	406,5	280,1	0,17	74,64	75,12	83,51	0,15	75,04	75,39	86,15
396,0	724,0	1,6	1,0	5,0	249,1	72,6	80,3	312,8	364,6	427,5	406,8	280,2	0,17	74,67	75,12	83,58	0,15	75,05	75,38	85,91
397,0	725,0	1,6	1,0	5,0	249,6	72,7	80,3	313,2	365,1	427,6	407,1	280,4	0,17	74,67	75,10	83,58	0,15	75,04	75,38	85,62
398,0	726,0	1,5	1,0	5,1	249,7	72,7	80,4	313,5	365,6	427,7	407,4	280,6	0,17	74,63	75,08	83,47	0,15	75,01	75,36	85,39
399,0	727,0	1,5	1,0	5,1	250,3	72,6	80,2	314,1	366,1	427,9	407,7	280,8	0,17	74,57	75,06	83,45	0,15	74,96	75,33	

426,0	754,0	1,0	0,9	4,8	254,8	72,5	80,6	322,3	378,9	435,5	414,2	285,5	0,17	74,47	74,90	82,70	0,15	74,82	75,15	86,56
427,0	755,0	0,9	0,9	4,8	254,6	72,5	80,4	322,4	378,8	435,4	414,3	285,7	0,17	74,46	74,87	82,76	0,15	74,81	75,14	86,39
428,0	756,0	0,9	0,9	4,8	254,4	72,5	80,4	322,3	378,7	435,3	414,5	285,8	0,17	74,43	74,85	82,76	0,15	74,76	75,14	86,21
429,0	757,0	0,9	0,9	4,8	254,7	72,4	80,2	322,3	378,5	435,1	414,6	286,0	0,17	74,39	74,82	82,96	0,15	74,74	75,12	85,98
430,0	758,0	0,9	0,9	4,8	254,9	72,5	80,1	321,9	378,2	435,0	414,7	286,1	0,17	74,44	74,85	83,06	0,15	74,77	75,12	85,74
431,0	759,0	0,9	0,9	4,8	254,1	72,5	80,1	322,1	377,9	434,8	414,8	286,3	0,17	74,47	74,85	83,11	0,15	74,81	75,12	85,47
432,0	760,0	0,9	0,9	4,7	254,4	72,5	80,4	321,9	377,7	434,4	414,9	286,4	0,17	74,47	74,83	83,19	0,15	74,77	75,12	85,18
433,0	761,0	0,9	0,9	4,7	254,2	72,5	80,3	321,7	377,4	434,0	414,9	286,5	0,17	74,44	74,82	83,25	0,15	74,77	75,12	84,91
434,0	762,0	0,8	0,9	4,7	253,6	72,6	80,4	321,5	377,1	433,5	415,0	286,7	0,17	74,41	74,80	83,19	0,15	74,76	75,10	84,63
435,0	763,0	0,8	0,9	4,7	253,6	72,5	80,3	321,4	376,7	432,9	415,0	286,8	0,17	74,37	74,78	83,20	0,15	74,71	75,10	84,32
436,0	764,0	0,8	0,9	4,7	253,1	72,5	80,3	321,1	376,4	432,3	414,9	287,0	0,17	74,37	74,79	83,21	0,15	74,73	75,11	84,05
437,0	765,0	0,8	0,9	4,5	252,7	72,5	80,3	320,7	376,1	431,6	414,8	287,1	0,17	74,38	74,78	83,14	0,15	74,74	75,09	83,76
438,0	766,0	0,8	0,9	4,5	252,2	72,5	80,4	320,1	375,8	431,0	414,6	287,3	0,17	74,39	74,77	83,09	0,15	74,71	75,09	83,47
439,0	767,0	0,8	0,9	4,5	252,4	72,5	80,2	319,9	375,3	430,4	414,4	287,4	0,17	74,40	74,77	83,05	0,15	74,72	75,09	83,20
440,0	768,0	0,7	0,9	4,5	252,3	72,4	80,2	319,5	374,9	429,8	414,1	287,6	0,17	74,39	74,76	83,00	0,15	74,70	75,08	82,95
441,0	769,0	0,8	0,9	4,5	251,6	72,5	80,1	319,4	374,6	429,0	413,8	287,6	0,17	74,35	74,76	82,92	0,15	74,68	75,06	82,66
442,0	770,0	0,7	0,9	4,5	251,4	72,4	80,1	319,0	374,1	428,2	413,5	287,8	0,17	74,34	74,72	82,73	0,15	74,68	75,04	82,40
443,0	771,0	0,7	0,9	4,5	251,3	72,3	80,1	318,3	373,7	427,4	413,2	288,0	0,17	74,32	74,74	82,52	0,15	74,67	75,05	82,36
444,0	772,0	0,7	0,9	4,5	250,8	72,5	80,1	318,0	373,3	426,5	412,8	288,1	0,17	74,30	74,72	82,27	0,15	74,65	75,05	82,56
445,0	773,0	0,6	0,9	4,5	250,7	72,3	79,9	317,5	373,0	425,7	412,5	288,2	0,17	74,27	74,73	82,15	0,15	74,65	75,03	82,95
446,0	774,0	0,6	0,9	4,5	250,9	72,4	79,9	317,4	372,6	424,9	412,2	288,3	0,17	74,32	74,75	82,01	0,15	74,67	75,04	83,34
447,0	775,0	0,6	0,9	4,6	250,6	72,4	80,0	316,9	372,3	424,1	411,9	288,4	0,17	74,34	74,73	81,88	0,15	74,66	75,02	83,75
448,0	776,0	0,6	1,0	4,2	249,9	72,5	79,6	316,3	371,9	423,3	411,5	288,5	0,17	74,32	74,71	81,68	0,15	74,64	75,01	84,24
449,0	777,0	0,6	1,0	4,1	249,9	72,4	79,8	315,4	371,6	422,4	411,2	288,6	0,17	74,28	74,71	81,67	0,15	74,62	75,00	84,67
450,0	778,0	0,6	1,0	4,1	249,9	72,4	79,7	314,7	371,2	421,7	410,8	288,7	0,17	74,27	74,70	81,57	0,15	74,60	74,98	85,12
451,0	779,0	0,6	1,0	4,1	249,6	72,4	79,6	314,0	370,9	420,9	410,2	288,8	0,17	74,25	74,67	81,47	0,15	74,59	74,97	85,48
452,0	780,0	0,6	1,0	4,1	248,9	72,3	79,7	313,0	370,5	420,1	409,5	288,9	0,17	74,24	74,67	81,59	0,15	74,58	74,96	85,73
453,0	781,0	0,5	1,0	4,1	248,1	72,4	79,7	312,4	370,1	419,3	408,9	289,0	0,17	74,19	74,66	81,67	0,15	74,55	74,96	86,08
454,0	782,0	0,5	1,0	4,1	248,0	72,3	79,6	311,8	369,8	418,6	408,2	289,1	0,17	74,22	74,66	81,87	0,15	74,55	74,96	86,35
455,0	783,0	0,5	0,9	4,1	247,2	72,3	79,9	311,0	369,3	417,9	407,5	289,1	0,17	74,22	74,65	82,10	0,15	74,55	74,95	86,58
456,0	784,0	0,5	0,9	4,1	246,8	72,4	79,9	310,3	368,9	417,1	406,6	289,2	0,17	74,20	74,65	82,07	0,15	74,55	74,95	86,68
457,0	785,0	0,5	0,9	4,1	246,1	72,3	80,2	309,8	368,5	416,4	405,8	289,3	0,17	74,16	74,64	82,21	0,15	74,54	74,95	86,72
458,0	786,0	0,5	0,9	4,1	245,7	72,3	80,0	309,1	368,0	415,6	405,0	289,3	0,17	74,13	74,60	82,32	0,15	74,52	74,93	86,69
459,0	787,0	0,4	0,9	4,1	244,9	72,3	80,1	308,3	367,6	414,9	404,2	289,3	0,17	74,08	74,60	82,43	0,15	74,50	74,93	86,61
460,0	788,0	0,4	0,9	4,1	244,2	72,3	80,0	307,5	367,1	414,2	403,3	289,3	0,17	74,08	74,58	82,44	0,15	74,47	74,92	86,47
461,0	789,0	0,4	0,9	4,1	243,6	72,3	79,8	306,7	366,7	413,5	402,4	289,3	0,17	74,10	74,61	82,42	0,15	74,47	74,93	86,31
462,0	790,0	0,4	0,9	4,1	243,4	72,1	79,7	306,4	366,2	412,7	401,5	289,2	0,17	74,10	74,60	82,34	0,15	74,48	74,94	86,09
463,0	791,0	0,4	0,9	4,0	243,2	72,4	80,1	305,6	365,8	412,0	400,7	289,1	0,17	74,10	74,60	82,33	0,15	74,46	74,92	85,82
464,0	792,0	0,4	0,9	4,1	242,8	72,2	79,5	305,0	365,3	411,3	399,8	289,0	0,17	74,10	74,57	82,30	0,15	74,46	74,90	85,58
465,0	793,0	0,3	0,9	4,0	242,1	72,2	79,6	304,4	364,7	410,5	398,9	288,9	0,17	74,09	74,56	82,24	0,15	74,43	74,90	85,33
466,0	794,0	0,3	0,9	4,1	242,1	72,1	79,8	303,6	364,3	409,8	398,0	288,7	0,17	74,02	74,54	82,22	0,15	74,41	74,88	85,05
467,0	795,0	0,3	0,9	4,0	241,5	72,2	79,6	303,1	363,9	409,0	397,1	288,6	0,17	74,06	74,55	82,16	0,15	74,41	74,88	84,75
468,0	796,0	0,3	0,9	4,0	241,0	72,2	79,7	302,4	363,4	408,3	396,2	288,4	0,17	74,04	74,54	82,17	0,15	74,37	74,86	84,47
469,0	797,0	0,3	0,9	4,0	240,6	72,1	79,6	301,9	362,9	407,5	395,3	288,2	0,17	74,01	74,53	82,05	0,15	74,36	74,86	84,16
470,0	798,0	0,2	0,9	4,0	240,2	72,3	79,5	301,8	362,4	406,8	394,5	288,0	0,17	74,00	74,51	81,98	0,15	74,37	74,86	83,83
471,0	799,0	0,2	0,9	4,0	240,0	72,2	79,5	300,8	362,0	406,1	393,6	287,8	0,17	73,96	74,52	81,91	0,15	74,35	74,82	83,55
472,0	800,0	0,3	0,9	4,0	239,5	72,1	79,5	300,2	361,6	405,3	392,7	287,6	0,17	73,96	74,47	81,98	0,15	74,34	74,80	83,26
473,0	801,0	0,2	0,9	4,0	239,0	72,0	79,4	299,8	361,1	404,6	391,9	287,4	0,17	73,96	74,48	82,10	0,15	74,34	74,82	82,99
474,0	802,0	0,2	0,9	4,0	239,0	72,1	79,6	299,2	360,8	403,9	391,1	287,1	0,17	73,93	74,48	82,26	0,15	74,30	74,81	82,72
475,0	803,0	0,2	0,9	4,0	239,0	72,0	79,2	298,9	360,4	403,2	390,3	286,9	0,17	73,92	74,46	82,23	0,15	74,29	74,81	82,43
476,0	804,0	0,2	0,9	4,0	238,6	72,1	79,1	298,3	360,1	402,5	389,5	286,7	0,17	73,91	74,46	82,00	0,15	74,31	74,78	82,29
477,0	805,0	0,2	0,9	4,0	238,5	72,0	79,0	297,9	359,7	401,8	388,7	286,4	0,17	73,90	74,43	81,76	0,15	74,28	74,77	82,37
478,0	806,0	0,1	0,9	4,0	238,0	72,0	78,9	297,1	359,4	401,1	388,0	286,1	0,17	73,87	74,43	81,51	0,15	74,27	74,76	82,66
479,0	807,0	0,1	0,9	4,0	237,7	72,0	79,0	296,9	359,0	400,4	387,2	285,8	0,17	73,87	74,42	81,39	0,15	74,25	74,75	83,07
480,0	808,0	0,1	0,9	4,0	237,2	72,0	79,2	296,1	358,7	399,7	386,5	285,5	0,17	73,85	74,42	81,31	0,15	74,24	74,73	83,46
481,0	809,0	0,1	0,9	4,0	237,1	72,0	79,1	296,0	358,4	399,0	385,8	285,2	0,17	73,86	74,39	81,18	0,15	74,25	74,72	83,91
482,0	810,0	0,1	0,9	4,0	236,9	72,0	79,0	295,6	358,0	398,4	385,1	284,9	0,17	73,84	74,40	81,12	0,15	74,23	74,72	84,36
483,0	811,0	0,1	0,9	4,0	236,7	72,0	79,0	295,4	357,8	397,8	384,4	284,7	0,17	73,79	74,38	80,97	0,15	74,19	74,71	84,80
484,0	812,0	0,1	0,9	4,0	236,8	71,9	79,0	294,8	357,5	397,1	383,7	284,3	0,17	73,79	74,38	80,83	0,15	74,17	74,67	85,18
485,0	813,0	0,1	0,9	4,0	236,1	72,0	78,7	294,6	357,1	396,5	383,1	284,1	0,17	73,79	74,34	80,75	0,15	74,17	74	

Manufacturer: US STOVE
 Model: TR 007

Run: 1
 Project #: PI 20221
 Test Duration: 101 min

Note: In the "Input data", "Calc. % O₂", "Fuel Properties", and "Mass Balance" columns, [e], [d], [g], [a], [b], [c], [h], [u], [w], [j], and [k] refer to their respective variables in Clauses 13.7.3 to 13.7.5.

Overall Heating Efficiency: 68,63%
 Combustion Efficiency: 98,85%
 Heat Transfer Efficiency: 69,43%

	HHV	LHV
Eff	68,63%	73,85%
Comb Eff	98,85%	98,85%
HT Eff	69,43%	74,71%
Output	71 675	kJ/h
Burn Rate	5,17	kg/h
Grams CO	157	g
Input	104 435	kJ/h
MC wet	18,36	

Ultimate CO₂
 CO_{2-ult} 19,86
 F₀
 1,051

Heat Output:	67 992 Btu/h
Heat Input:	99 068 Btu/h
Burn Duration:	1,68 h
Burn Rate:	11,39 lb/h
Stack Temp:	690,6 Deg. F

Averages		0,19	12,14	0,71	20,27	8,03	365,66	22,73	98,8%	68,7%	68,0%
INPUT DATA			Oxygen Calculation				Input Data		Combust	Heat	Net
Elapsed Time	Weight Remaining (kg)	% CO [e]	% CO ₂ [d]	Excess Air EA	Total O ₂	Calc. % O ₂ [g]	Flue Gas (°C)	Room Temp (°C)	Eff %	Transfer %	Eff %
0,00	10,66	0,17	7,77	150,1%	20,51	12,65	345,0	22,2	98,7%	61,5%	60,7%
1,00	10,52	0,39	10,97	74,8%	20,32	9,16	363,4	22,3	97,3%	67,5%	65,7%
2,00	10,38	0,20	12,98	50,7%	20,23	7,15	369,5	22,3	98,9%	70,1%	69,3%
3,00	10,25	0,16	13,27	48,0%	20,21	6,87	374,3	22,4	99,2%	70,2%	69,6%
4,00	10,11	0,16	13,44	46,0%	20,20	6,68	374,7	22,4	99,2%	70,3%	69,8%
5,00	9,98	0,15	13,25	48,2%	20,21	6,89	375,3	22,5	99,2%	70,1%	69,5%
6,00	9,83	0,15	13,23	48,4%	20,21	6,91	377,4	22,5	99,2%	69,9%	69,4%
7,00	9,70	0,17	13,33	47,2%	20,21	6,80	378,9	22,5	99,1%	70,0%	69,3%
8,00	9,57	0,18	13,31	47,2%	20,21	6,81	379,8	22,6	99,0%	69,9%	69,2%
9,00	9,39	0,18	13,22	48,2%	20,21	6,91	377,8	22,5	99,0%	69,9%	69,2%
10,00	9,27	0,17	12,92	51,8%	20,23	7,23	375,4	22,6	99,1%	69,7%	69,0%
11,00	9,11	0,16	12,90	52,0%	20,23	7,25	376,3	22,6	99,1%	69,6%	69,0%
12,00	8,98	0,18	12,97	51,1%	20,23	7,17	377,7	22,6	99,0%	69,6%	68,9%
13,00	8,84	0,19	13,12	49,2%	20,22	7,01	380,6	22,6	98,9%	69,6%	68,9%
14,00	8,70	0,20	13,23	47,8%	20,21	6,88	382,4	22,6	98,9%	69,6%	68,8%
15,00	8,57	0,22	13,35	46,4%	20,20	6,75	381,8	22,8	98,8%	69,8%	69,0%
16,00	8,43	0,35	13,62	42,2%	20,18	6,39	384,7	22,8	98,0%	69,9%	68,6%
17,00	8,25	0,40	14,09	37,1%	20,15	5,86	388,5	22,8	97,8%	70,3%	68,7%
18,00	8,11	0,42	14,35	34,5%	20,14	5,58	391,8	22,8	97,7%	70,4%	68,8%
19,00	7,93	0,42	14,57	32,5%	20,13	5,35	395,3	22,8	97,7%	70,4%	68,8%
20,00	7,80	0,42	14,73	31,1%	20,12	5,18	396,9	22,9	97,8%	70,5%	68,9%
21,00	7,66	0,42	14,70	31,4%	20,12	5,21	397,2	22,9	97,8%	70,4%	68,9%
22,00	7,52	0,42	14,65	31,8%	20,12	5,26	397,3	22,9	97,8%	70,4%	68,8%
23,00	7,34	0,42	14,55	32,7%	20,13	5,37	399,4	23,0	97,8%	70,2%	68,6%
24,00	7,21	0,41	14,70	31,5%	20,12	5,22	399,4	23,1	97,8%	70,3%	68,8%
25,00	7,07	0,40	14,44	33,9%	20,14	5,50	397,6	23,0	97,8%	70,1%	68,6%
26,00	6,89	0,38	14,25	35,7%	20,15	5,70	395,9	23,0	97,9%	70,0%	68,6%
27,00	6,75	0,36	14,08	37,5%	20,16	5,89	393,7	22,9	98,0%	70,0%	68,6%
28,00	6,62	0,36	14,02	38,1%	20,16	5,96	393,3	23,0	98,0%	69,9%	68,6%
29,00	6,48	0,36	13,97	38,6%	20,16	6,01	392,3	23,1	98,0%	69,9%	68,6%
30,00	6,34	0,36	13,92	39,1%	20,17	6,06	391,8	23,2	98,0%	69,9%	68,5%
31,00	6,21	0,35	13,87	39,7%	20,17	6,12	396,0	23,2	98,1%	69,6%	68,3%
32,00	6,07	0,27	14,27	36,6%	20,15	5,75	399,8	23,2	98,6%	69,9%	68,9%
33,00	5,89	0,25	14,48	34,8%	20,14	5,53	402,0	23,2	98,7%	70,0%	69,1%
34,00	5,75	0,25	14,63	33,5%	20,13	5,38	403,4	23,1	98,7%	70,1%	69,2%
35,00	5,62	0,25	14,48	34,8%	20,14	5,53	403,5	22,8	98,7%	69,9%	69,0%
36,00	5,48	0,25	14,50	34,7%	20,14	5,52	404,1	22,7	98,7%	69,9%	69,0%
37,00	5,34	0,24	14,40	35,7%	20,15	5,62	403,6	22,7	98,8%	69,8%	68,9%
38,00	5,21	0,23	14,40	35,8%	20,15	5,63	403,7	22,7	98,8%	69,8%	69,0%
39,00	5,07	0,22	14,25	37,2%	20,16	5,79	402,5	22,3	98,8%	69,7%	68,8%

40,00	4,94	0,21	14,14	38,5%	20,16	5,92	400,5	22,4	98,9%	69,7%	68,9%
41,00	4,80	0,19	13,97	40,2%	20,17	6,10	398,5	22,4	99,0%	69,6%	68,9%
42,00	4,66	0,19	13,81	41,9%	20,18	6,28	397,1	22,5	99,0%	69,5%	68,8%
43,00	4,53	0,18	13,74	42,7%	20,19	6,35	395,9	22,5	99,0%	69,5%	68,8%
44,00	4,39	0,17	13,69	43,3%	20,19	6,41	394,6	22,5	99,1%	69,5%	68,8%
45,00	4,30	0,17	13,68	43,5%	20,19	6,43	394,6	22,4	99,1%	69,5%	68,8%
46,00	4,16	0,16	13,69	43,4%	20,19	6,42	393,9	22,5	99,2%	69,5%	68,9%
47,00	4,03	0,16	13,73	43,1%	20,19	6,38	393,5	22,3	99,2%	69,6%	69,0%
48,00	3,89	0,16	13,72	43,1%	20,19	6,38	393,3	22,5	99,2%	69,6%	69,0%
49,00	3,76	0,15	13,77	42,6%	20,18	6,33	395,3	22,6	99,2%	69,5%	69,0%
50,00	3,63	0,15	13,89	41,5%	20,18	6,21	395,5	22,6	99,2%	69,7%	69,1%
51,00	3,51	0,15	13,99	40,5%	20,17	6,11	396,9	22,6	99,3%	69,7%	69,2%
52,00	3,39	0,15	14,15	38,9%	20,16	5,94	398,2	22,7	99,3%	69,8%	69,3%
53,00	3,26	0,14	14,28	37,7%	20,16	5,80	399,4	22,4	99,3%	69,9%	69,4%
54,00	3,12	0,14	14,43	36,2%	20,15	5,64	400,6	22,3	99,3%	70,0%	69,5%
55,00	3,03	0,14	14,47	36,0%	20,15	5,61	400,9	22,3	99,3%	70,0%	69,5%
56,00	2,89	0,13	14,37	37,0%	20,15	5,72	400,2	22,4	99,4%	70,0%	69,5%
57,00	2,80	0,12	14,32	37,6%	20,16	5,78	400,8	22,5	99,4%	69,9%	69,5%
58,00	2,67	0,12	14,30	37,7%	20,16	5,80	398,3	22,3	99,4%	70,0%	69,6%
59,00	2,58	0,11	13,77	43,1%	20,19	6,36	392,9	22,5	99,5%	69,7%	69,3%
60,00	2,44	0,10	13,33	48,0%	20,21	6,84	390,3	22,4	99,5%	69,3%	69,0%
61,00	2,35	0,09	13,11	50,4%	20,22	7,06	388,6	22,2	99,6%	69,1%	68,8%
62,00	2,26	0,09	13,00	51,7%	20,23	7,19	386,4	22,4	99,6%	69,1%	68,8%
63,00	2,15	0,09	12,83	53,7%	20,24	7,36	384,2	22,6	99,6%	69,0%	68,7%
64,00	2,03	0,09	12,73	54,9%	20,24	7,47	382,3	22,5	99,6%	69,0%	68,7%
65,00	1,94	0,08	12,63	56,3%	20,25	7,58	380,7	22,7	99,6%	69,0%	68,7%
66,00	1,85	0,08	12,62	56,4%	20,25	7,59	379,9	22,7	99,6%	69,0%	68,8%
67,00	1,76	0,08	12,60	56,6%	20,25	7,61	378,7	22,7	99,6%	69,1%	68,8%
68,00	1,67	0,08	12,58	56,8%	20,25	7,63	378,1	22,9	99,6%	69,1%	68,8%
69,00	1,58	0,08	12,52	57,6%	20,26	7,69	375,9	23,0	99,6%	69,1%	68,9%
70,00	1,51	0,08	12,23	61,3%	20,27	8,00	370,4	22,9	99,6%	69,1%	68,8%
71,00	1,44	0,07	11,70	68,8%	20,30	8,57	365,5	23,0	99,7%	68,6%	68,4%
72,00	1,35	0,07	11,19	76,4%	20,33	9,11	362,1	22,8	99,7%	68,0%	67,9%
73,00	1,30	0,06	11,02	79,2%	20,34	9,28	353,4	22,8	99,8%	68,4%	68,2%
74,00	1,21	0,03	10,78	83,6%	20,35	9,55	348,0	22,8	100,0%	68,3%	68,3%
75,00	1,17	0,03	10,41	90,1%	20,37	9,94	342,3	22,6	100,0%	68,1%	68,1%
76,00	1,08	0,04	10,10	96,0%	20,39	10,27	338,5	22,9	100,0%	67,8%	67,8%
77,00	1,03	0,04	9,90	99,8%	20,40	10,48	334,6	22,7	100,0%	67,7%	67,7%
78,00	0,94	0,04	9,74	103,1%	20,41	10,65	331,0	22,8	100,0%	67,7%	67,6%
79,00	0,90	0,04	9,61	105,8%	20,42	10,79	328,7	22,8	99,9%	67,6%	67,5%
80,00	0,85	0,05	9,57	106,5%	20,42	10,82	325,4	22,7	99,9%	67,8%	67,7%
81,00	0,76	0,05	9,57	106,4%	20,42	10,82	324,3	22,6	99,9%	67,8%	67,8%
82,00	0,72	0,07	9,68	103,7%	20,41	10,70	322,9	22,7	99,7%	68,1%	67,9%
83,00	0,67	0,08	9,66	103,9%	20,41	10,71	321,2	22,5	99,6%	68,2%	68,0%
84,00	0,62	0,09	9,61	104,6%	20,41	10,75	319,7	22,6	99,5%	68,3%	67,9%
85,00	0,58	0,08	9,53	106,6%	20,42	10,85	318,5	22,6	99,6%	68,2%	67,9%
86,00	0,49	0,10	9,46	107,8%	20,42	10,91	314,1	22,6	99,5%	68,4%	68,0%
87,00	0,44	0,06	8,80	124,2%	20,46	11,63	309,3	22,5	99,8%	67,4%	67,2%
88,00	0,40	0,07	8,65	127,8%	20,47	11,78	305,9	22,5	99,7%	67,3%	67,1%
89,00	0,35	0,10	8,57	129,2%	20,47	11,85	303,5	22,4	99,5%	67,3%	67,0%
90,00	0,31	0,10	8,47	131,6%	20,48	11,95	300,9	22,3	99,4%	67,3%	66,9%
91,00	0,26	0,12	8,41	132,8%	20,48	12,01	297,7	22,5	99,2%	67,4%	66,9%
92,00	0,22	0,15	8,21	137,6%	20,49	12,20	294,4	22,9	99,0%	67,3%	66,6%
93,00	0,17	0,16	7,88	146,9%	20,50	12,54	290,0	23,1	98,7%	66,9%	66,0%
94,00	0,17	0,21	7,38	161,8%	20,53	13,04	286,0	23,3	98,2%	65,9%	64,7%
95,00	0,12	0,24	6,95	176,2%	20,55	13,48	281,2	23,4	97,7%	65,1%	63,6%
96,00	0,12	0,29	6,53	191,5%	20,57	13,90	277,8	23,5	97,0%	64,0%	62,1%
97,00	0,08	0,28	6,22	205,8%	20,59	14,23	274,0	23,6	97,1%	63,3%	61,4%
98,00	0,03	0,32	6,07	211,0%	20,59	14,37	270,8	23,7	96,5%	63,1%	60,9%
99,00	0,03	0,37	5,95	214,1%	20,60	14,46	267,8	23,7	95,8%	63,0%	60,3%
100,00	0,03	0,43	5,81	218,5%	20,60	14,58	265,0	23,6	94,9%	62,7%	59,5%

101,00	-0,01	0,46	5,77	218,7%	20,60	14,60	263,1	23,7	94,5%	62,8%	59,3%
--------	-------	------	------	--------	-------	-------	-------	------	-------	-------	-------

Run: 1
 Project #: PI 20221
 Test Duration: 491 min

Notes on the input data: Units for CO₂ and Fuel Report are in
 "Mass Balance" columns, [e], [d], [g], [a], [b], [c], [h], [u], [w],
 [j], and [k] refer to their respective variables in Clauses 13.7.3

Combustion Efficiency: 95,78% Dry Moles Exhaust Gas (N₂):
 Heat Transfer Efficiency: 75,40% Air Fuel Ratio (A/F)

	HHV	LHV
Eff	72,22%	77,70%
Comb Eff	95,78%	95,78%
HT Eff	75,40%	81,13%
Output	20 850	kJ/h
Burn Rate	1,43	kg/h
Grams CO	734	g
Input	28 871	kJ/h
MC wet	18,60	

Ultimate CO₂
 CO_{2-ult} 19,86
 F_o
 1,049

Heat Output:	19 778 Btu/h	20 850 kJ/h
Heat Input:	27 388 Btu/h	28 871 kJ/h
Burn Duration:	8,18 h	
Burn Rate:	3,15 lb/h	1,429 kg/h
Stack Temp:	332,5 Deg. F	167,0 Deg. C

INPUT DATA				Oxygen Calculation				Input Data		Combust	Heat	#DIV/0!	16,84	3,43	76,11
Elapsed Time	Weight Remaining (kg)	% CO [e]	% CO ₂ [d]	Excess Air EA	Total O ₂	Calc. % O ₂ [g]	Flue Gas (°C)	Room Temp (°C)	Eff %	Transfer %	Net Eff %	Air Fuel Ratio	Wet Wt Now	% Wet Consumed	
0,00	14,36	0,47	3,63	383,6%	20,72	16,85	148,5	23,8	91,6%	68,5%	62,7%	28,7	14,36	0,00	
1,00	14,20	0,31	1,46	1020,2%	20,84	19,23	181,2	23,9	88,6%	27,8%	24,7%	66,7	14,20	1,16	
2,00	14,15	0,39	3,43	419,9%	20,73	17,11	204,3	24,0	92,7%	57,2%	53,0%	31,0	14,15	1,48	
3,00	14,11	0,69	5,26	234,1%	20,62	15,02	228,1	23,9	91,1%	64,7%	59,0%	19,8	14,11	1,80	
4,00	14,01	0,55	6,63	176,4%	20,55	13,64	254,3	23,9	94,1%	66,8%	62,8%	16,5	14,01	2,43	
5,00	13,89	0,43	8,10	132,9%	20,48	12,16	292,9	24,0	96,2%	67,2%	64,6%	14,0	13,89	3,32	
6,00	13,79	0,18	10,41	87,5%	20,37	9,87	314,4	24,0	98,8%	70,1%	69,3%	11,3	13,79	4,01	
7,00	13,65	0,15	11,63	68,7%	20,30	8,60	324,6	24,0	99,2%	71,2%	70,6%	10,2	13,65	4,96	
8,00	13,56	0,14	12,95	51,7%	20,23	7,21	323,7	24,0	99,3%	72,8%	72,3%	9,2	13,56	5,60	
9,00	13,42	0,17	13,11	49,5%	20,22	7,02	322,0	23,8	99,1%	73,1%	72,4%	9,0	13,42	6,54	
10,00	13,29	0,18	13,10	49,6%	20,22	7,03	318,9	23,6	99,0%	73,2%	72,5%	9,0	13,29	7,49	
11,00	13,20	0,17	13,17	48,9%	20,22	6,96	317,7	23,3	99,1%	73,4%	72,7%	9,0	13,20	8,12	
12,00	13,11	0,17	13,18	48,7%	20,22	6,95	321,2	23,1	99,1%	73,2%	72,5%	9,0	13,11	8,75	
13,00	12,97	0,19	13,59	44,1%	20,19	6,51	325,7	23,1	99,0%	73,3%	72,6%	8,7	12,97	9,71	
14,00	12,88	0,18	13,82	41,8%	20,18	6,27	310,6	23,3	99,0%	74,4%	73,7%	8,6	12,88	10,33	
15,00	12,79	0,31	14,54	33,7%	20,13	5,44	286,3	23,0	98,4%	76,3%	75,0%	8,1	12,79	10,97	
16,00	12,70	0,26	12,03	61,6%	20,27	8,12	271,5	23,2	98,4%	75,0%	73,7%	9,7	12,70	11,60	
17,00	12,61	0,33	10,61	81,6%	20,35	9,58	260,9	22,9	97,7%	74,0%	72,3%	10,9	12,61	12,24	
18,00	12,53	0,38	9,86	93,9%	20,38	10,33	254,7	22,9	97,2%	73,4%	71,4%	11,6	12,53	12,80	
19,00	12,47	0,36	9,69	97,7%	20,40	10,53	251,6	22,9	97,3%	73,4%	71,4%	11,9	12,47	13,18	
20,00	12,43	0,35	9,62	99,2%	20,40	10,60	249,9	22,7	97,4%	73,4%	71,5%	12,0	12,43	13,50	
21,00	12,33	0,30	10,06	91,7%	20,38	10,16	249,3	22,8	97,9%	74,1%	72,5%	11,5	12,33	14,13	
22,00	12,24	0,26	10,85	78,7%	20,34	9,35	251,3	22,7	98,2%	74,9%	73,6%	10,8	12,24	14,76	
23,00	12,15	0,23	11,75	65,9%	20,29	8,43	255,1	22,7	98,6%	75,7%	74,6%	10,0	12,15	15,39	
24,00	12,06	0,28	12,56	54,7%	20,24	7,55	258,3	22,7	98,3%	76,2%	75,0%	9,3	12,06	16,03	
25,00	11,97	0,53	12,97	47,2%	20,21	6,98	260,3	22,9	96,9%	76,4%	74,0%	8,8	11,97	16,66	
26,00	11,88	0,50	13,28	44,1%	20,19	6,66	262,1	22,8	97,1%	76,6%	74,3%	8,7	11,88	17,29	
27,00	11,79	0,45	13,41	43,2%	20,19	6,55	263,0	22,7	97,4%	76,6%	74,6%	8,6	11,79	17,92	
28,00	11,70	0,44	13,51	42,4%	20,18	6,45	263,1	22,7	97,4%	76,7%	74,8%	8,6	11,70	18,56	
29,00	11,61	0,43	13,40	43,6%	20,19	6,58	263,5	22,7	97,5%	76,6%	74,7%	8,6	11,61	19,18	
30,00	11,52	0,44	13,43	43,2%	20,19	6,54	263,4	22,6	97,5%	76,6%	74,7%	8,6	11,52	19,82	
31,00	11,41	0,44	13,43	43,2%	20,19	6,54	264,2	22,6	97,5%	76,6%	74,7%	8,6	11,41	20,58	
32,00	11,29	0,43	13,50	42,7%	20,19	6,48	264,2	22,5	97,6%	76,6%	74,8%	8,6	11,29	21,39	
33,00	11,20	0,43	13,51	42,4%	20,18	6,46	264,7	22,6	97,5%	76,6%	74,7%	8,6	11,20	22,03	
34,00	11,11	0,42	13,66	41,1%	20,18	6,31	266,0	22,6	97,6%	76,7%	74,9%	8,5	11,11	22,67	
35,00	11,06	0,42	13,71	40,6%	20,17	6,25	267,2	22,7	97,6%	76,6%	74,8%	8,5	11,06	23,00	
36,00	10,93	0,40	13,89	38,9%	20,16	6,07	268,3	22,7	97,8%	76,7%	75,0%	8,4	10,93	23,93	
37,00	10,84	0,39	13,92	38,7%	20,16	6,04	268,1	22,6	97,8%	76,8%	75,1%	8,4	10,84	24,56	
38,00	10,74	0,39	13,93	38,8%	20,16	6,04	268,2	22,6	97,9%	76,8%	75,1%	8,4	10,74	25,20	
39,00	10,66	0,39	13,96	38,5%	20,16	6,01	268,7	22,6	97,9%	76,8%	75,1%	8,3	10,66	25,82	
40,00	10,54	0,40	13,86	39,4%	20,17	6,11	268,0	22,7	97,8%	76,7%	75,0%	8,4	10,54	26,63	
41,00	10,47	0,40	13,81	39,8%	20,17	6,16	268,0	22,7	97,8%	76,7%	75,0%	8,4	10,47	27,09	
42,00	10,38	0,39	13,71	40,9%	20,18	6,27	267,8	22,6	97,8%	76,6%	74,9%	8,5	10,38	27,72	
43,00	10,29	0,37	13,76	40,5%	20,17	6,23	267,5	22,7	97,9%	76,7%	75,1%	8,5	10,29	28,35	
44,00	10,20	0,38	13,72	40,8%	20,18	6,26	267,1	22,8	97,9%	76,7%	75,1%	8,5	10,20	28,99	
45,00	10,11	0,37	13,72	40,9%	20,18	6,26	266,7	22,7	97,9%	76,7%	75,1%	8,5	10,11	29,62	
46,00	10,02	0,38	13,66	41,4%	20,18	6,33	266,0	22,7	97,8%	76,7%	75,0%	8,5	10,02	30,25	
47,00	9,93	0,38	13,65	41,6%	20,18	6,34	266,3	22,8	97,9%	76,7%	75,0%	8,5	9,93	30,88	
48,00	9,84	0,38	13,69	41,2%	20,18	6,30	265,8	22,7	97,9%	76,7%	75,1%	8,5	9,84	31,52	
49,00	9,75	0,39	13,62	41,7%	20,18	6,36	265,5	22,5	97,8%	76,7%	75,0%	8,5	9,75	32,14	
50,00	9,66	0,39	13,63	41,7%	20,18	6,36	264,6	22,6	97,8%	76,7%	75,0%	8,5	9,66	32,78	
51,00	9,56	0,41	13,53	42,5%	20,18	6,45	264,4	22,5	97,7%	76,7%	74,9%	8,6	9,56	33,41	
52,00	9,47	0,40	13,48	43,1%	20,19	6,51	263,9	22,4	97,7%	76,6%	74,9%	8,6	9,47	34,05	
53,00	9,38	0,41	13,49	42,9%	20,19	6,49	263,5	22,5	97,7%	76,7%	74,9%	8,6	9,38	34,67	
54,00	9,29	0,39	13,40	44,0%	20,19	6,60	262,7	22,3	97,7%	76,6%	74,9%	8,7	9,29	35,31	
55,00	9,25	0,40	13,35	44,5%	20,19	6,65	261,7	22,5	97,7%	76,7%	74,9%	8,7	9,25	35,62	
56,00	9,16	0,40	13,27	45,3%	20,20	6,73	261,2	22,6	97,7%	76,6%	74,8%	8,7	9,16	36,26	
57,00	9,07	0,39	13,22	46,0%	20,20	6,79	261,0	22,5	97,7%	76,6%	74,9%	8,8	9,07	36,88	

58,00	8,97	0,39	13,21	46,1%	20,20	6,80	260,3	22,6	97,8%	76,6%	74,9%	8,8	8,97	37,52
59,00	8,88	0,39	13,20	46,2%	20,20	6,81	259,3	22,5	97,7%	76,7%	75,0%	8,8	8,88	38,15
60,00	8,79	0,38	13,17	46,7%	20,21	6,85	259,1	22,5	97,8%	76,7%	75,0%	8,8	8,79	38,78
61,00	8,70	0,38	13,11	47,2%	20,21	6,91	258,6	22,5	97,8%	76,7%	75,0%	8,9	8,70	39,41
62,00	8,66	0,38	13,11	47,2%	20,21	6,91	257,9	22,5	97,8%	76,7%	75,0%	8,9	8,66	39,73
63,00	8,57	0,37	13,08	47,6%	20,21	6,94	257,5	22,6	97,8%	76,7%	75,0%	8,9	8,57	40,37
64,00	8,48	0,36	13,08	47,7%	20,21	6,95	257,4	22,5	97,9%	76,7%	75,1%	8,9	8,48	40,99
65,00	8,38	0,34	13,13	47,4%	20,21	6,91	257,1	22,5	98,0%	76,8%	75,3%	8,9	8,38	41,63
66,00	8,29	0,34	13,10	47,8%	20,21	6,94	256,3	22,5	98,0%	76,8%	75,3%	8,9	8,29	42,26
67,00	8,22	0,34	13,16	47,0%	20,21	6,87	255,8	22,4	98,0%	76,9%	75,3%	8,9	8,22	42,75
68,00	8,17	0,34	13,20	46,7%	20,21	6,84	255,6	22,4	98,0%	76,9%	75,4%	8,8	8,17	43,10
69,00	8,07	0,34	13,26	46,1%	20,20	6,77	255,5	22,6	98,1%	77,0%	75,5%	8,8	8,07	43,84
70,00	7,98	0,34	13,33	45,3%	20,20	6,70	255,5	22,6	98,0%	77,0%	75,5%	8,8	7,98	44,47
71,00	7,93	0,33	13,36	45,0%	20,20	6,67	255,4	22,6	98,1%	77,1%	75,6%	8,7	7,93	44,79
72,00	7,84	0,32	13,39	44,8%	20,20	6,64	255,2	22,6	98,2%	77,1%	75,7%	8,7	7,84	45,42
73,00	7,75	0,33	13,39	44,7%	20,20	6,64	255,2	22,6	98,1%	77,1%	75,6%	8,7	7,75	46,05
74,00	7,70	0,33	13,36	45,1%	20,20	6,67	254,8	22,6	98,1%	77,1%	75,6%	8,7	7,70	46,37
75,00	7,61	0,32	13,40	44,9%	20,20	6,64	254,8	22,7	98,2%	77,1%	75,8%	8,7	7,61	47,00
76,00	7,52	0,32	13,26	46,2%	20,20	6,78	254,7	22,5	98,2%	77,0%	75,6%	8,8	7,52	47,63
77,00	7,43	0,33	13,33	45,5%	20,20	6,71	253,4	22,5	98,1%	77,1%	75,7%	8,8	7,43	48,26
78,00	7,34	0,33	13,20	46,8%	20,21	6,84	253,3	22,5	98,1%	77,0%	75,6%	8,9	7,34	48,90
79,00	7,29	0,31	13,31	45,8%	20,20	6,73	254,0	22,5	98,2%	77,1%	75,7%	8,8	7,29	49,22
80,00	7,21	0,27	13,30	46,4%	20,20	6,77	254,0	22,5	98,5%	77,1%	75,9%	8,8	7,21	49,84
81,00	7,16	0,26	13,36	45,8%	20,20	6,71	253,9	22,6	98,5%	77,2%	76,0%	8,8	7,16	50,16
82,00	7,07	0,26	13,43	45,1%	20,20	6,64	254,2	22,6	98,5%	77,2%	76,1%	8,8	7,07	50,79
83,00	6,98	0,27	13,43	45,1%	20,20	6,64	254,7	22,7	98,5%	77,2%	76,0%	8,8	6,98	51,43
84,00	6,93	0,29	13,36	45,5%	20,20	6,70	254,4	22,7	98,4%	77,1%	75,9%	8,8	6,93	51,75
85,00	6,84	0,26	13,25	47,1%	20,21	6,83	254,9	22,7	98,5%	77,0%	75,9%	8,9	6,84	52,37
86,00	6,75	0,26	13,38	45,7%	20,20	6,69	255,1	22,8	98,5%	77,1%	76,0%	8,8	6,75	53,01
87,00	6,70	0,27	13,28	46,6%	20,21	6,79	254,2	22,5	98,5%	77,1%	75,9%	8,8	6,70	53,32
88,00	6,61	0,26	13,25	47,0%	20,21	6,83	253,8	22,7	98,5%	77,1%	76,0%	8,9	6,61	53,96
89,00	6,52	0,26	13,23	47,2%	20,21	6,85	253,8	22,8	98,5%	77,1%	75,9%	8,9	6,52	54,58
90,00	6,48	0,26	13,34	46,1%	20,20	6,73	253,6	22,7	98,6%	77,2%	76,1%	8,8	6,48	54,90
91,00	6,43	0,25	13,36	46,0%	20,20	6,72	253,8	22,7	98,6%	77,2%	76,1%	8,8	6,43	55,22
92,00	6,34	0,26	13,44	45,0%	20,20	6,63	253,9	22,6	98,6%	77,2%	76,1%	8,8	6,34	55,85
93,00	6,25	0,24	13,56	44,0%	20,19	6,51	254,5	22,6	98,7%	77,3%	76,3%	8,7	6,25	56,48
94,00	6,21	0,22	13,69	42,8%	20,19	6,39	254,6	22,7	98,8%	77,4%	76,5%	8,6	6,21	56,80
95,00	6,11	0,23	13,66	43,0%	20,19	6,42	255,1	22,8	98,8%	77,3%	76,4%	8,6	6,11	57,43
96,00	6,07	0,20	13,69	43,0%	20,19	6,39	255,0	22,7	98,9%	77,4%	76,5%	8,6	6,07	57,75
97,00	5,98	0,20	13,69	43,0%	20,19	6,40	254,7	22,6	98,9%	77,4%	76,5%	8,6	5,98	58,38
98,00	5,93	0,20	13,69	42,9%	20,19	6,39	255,2	22,6	98,9%	77,4%	76,5%	8,6	5,93	58,69
99,00	5,84	0,20	13,68	43,2%	20,19	6,41	254,8	22,5	98,9%	77,4%	76,5%	8,7	5,84	59,32
100,00	5,80	0,20	13,63	43,6%	20,19	6,46	254,0	22,4	98,9%	77,4%	76,5%	8,7	5,80	59,64
101,00	5,71	0,20	13,61	43,8%	20,19	6,48	253,8	22,6	98,9%	77,4%	76,5%	8,7	5,71	60,28
102,00	5,66	0,21	13,46	45,3%	20,20	6,64	252,9	22,6	98,9%	77,3%	76,4%	8,8	5,66	60,58
103,00	5,60	0,20	13,29	47,2%	20,21	6,81	251,4	22,5	98,9%	77,3%	76,4%	8,9	5,60	60,99
104,00	5,52	0,21	12,96	50,7%	20,23	7,15	249,6	22,6	98,8%	77,1%	76,2%	9,1	5,52	61,54
105,00	5,44	0,20	12,64	54,7%	20,24	7,51	247,6	22,7	98,8%	77,0%	76,1%	9,3	5,44	62,14
106,00	5,39	0,22	12,39	57,5%	20,26	7,76	246,3	22,6	98,7%	76,8%	75,8%	9,5	5,39	62,49
107,00	5,34	0,23	12,27	58,8%	20,26	7,87	245,0	22,7	98,6%	76,8%	75,7%	9,6	5,34	62,80
108,00	5,26	0,23	12,26	59,0%	20,26	7,89	243,9	22,7	98,6%	76,9%	75,8%	9,6	5,26	63,38
109,00	5,21	0,23	12,27	59,0%	20,26	7,88	243,7	22,8	98,7%	76,9%	75,9%	9,6	5,21	63,75
110,00	5,16	0,21	12,29	58,9%	20,26	7,87	242,7	22,8	98,8%	77,0%	76,0%	9,6	5,16	64,07
111,00	5,12	0,24	12,06	61,5%	20,27	8,10	241,5	22,8	98,5%	76,8%	75,7%	9,7	5,12	64,39
112,00	5,03	0,26	11,90	63,4%	20,28	8,25	240,3	22,7	98,4%	76,8%	75,5%	9,9	5,03	65,01
113,00	4,98	0,24	11,73	65,9%	20,29	8,44	237,7	22,6	98,5%	76,8%	75,6%	10,0	4,98	65,33
114,00	4,93	0,21	11,63	67,7%	20,30	8,56	236,3	22,8	98,7%	76,8%	75,8%	10,1	4,93	65,64
115,00	4,89	0,18	11,57	69,1%	20,30	8,65	234,3	22,8	98,9%	76,8%	76,0%	10,2	4,89	65,96
116,00	4,84	0,19	11,42	71,0%	20,31	8,79	232,4	22,7	98,8%	76,8%	75,9%	10,3	4,84	66,28
117,00	4,79	0,21	11,32	72,2%	20,31	8,89	230,0	22,9	98,7%	76,9%	75,9%	10,4	4,79	66,62
118,00	4,71	0,24	11,17	74,0%	20,32	9,03	228,2	22,9	98,4%	76,8%	75,6%	10,5	4,71	67,18
119,00	4,71	0,25	11,06	75,7%	20,33	9,15	226,1	22,6	98,4%	76,8%	75,6%	10,6	4,71	67,22
120,00	4,62	0,27	10,94	77,2%	20,33	9,26	224,2	22,7	98,2%	76,8%	75,5%	10,7	4,62	67,86
121,00	4,62	0,29	10,81	79,1%	20,34	9,39	222,7	22,6	98,1%	76,8%	75,3%	10,8	4,62	67,86
122,00	4,53	0,30	10,78	79,3%	20,34	9,41	220,9	22,7	98,0%	76,9%	75,3%	10,8	4,53	68,49
123,00	4,48	0,33	10,66	80,9%	20,34	9,53	219,7	22,8	97,8%	76,8%	75,1%	10,9	4,48	68,81
124,00	4,43	0,33	10,64	80,9%	20,34	9,54	218,2	22,9	97,7%	76,9%	75,2%	10,9	4,43	69,13
125,00	4,39	0,35	10,60	81,5%	20,35	9,58	217,2	22,8	97,6%	77,0%	75,1%	10,9	4,39	69,43
126,00	4,37	0,34	10,59	81,7%	20,35	9,58	215,9	22,8	97,6%	77,0%	75,2%	10,9	4,37	69,59
127,00	4,34	0,32	10,56	82,5%	20,35	9,63	215,1	22,8	97,8%	77,1%	75,4%	11,0	4,34	69,82
128,00	4,25	0,30	10,66	81,2%	20,35	9,53	214,5	22,8	97,9%	77,2%	75,6%	10,9	4,25	70,39
129,00	4,21	0,30	10,61	82,0%	20,35	9,59	213,5	22,7	97,9%	77,2%	75,6%	11,0	4,21	70,70
130,00	4,21	0,31	10,64	81,3%	20,35	9,55	212,8	22,8	97,9%	77,3%	75,7%	10,9	4,21	70,70
131,00	4,12	0,28	10,68	81,2%	20,35	9,53	213,8	22,7	98,1%	77,3%	75,8%	10,9	4,12	71,34
132,00	4,10	0,29	10,74	80,1%	20,34	9,46	214,1	22,5	98,1%	77,3%	75,8%	10,8	4,10	71,47
133,00	4,07	0,24	10,86	79,1%	20,34	9,37	214,8	22,7	98,5%	77,4%	76,2%	10,8	4,07	71,64

134,00	3,98	0,22	10,82	79,9%	20,34	9,41	216,1	22,7	98,6%	77,3%	76,2%	10,8	3,98	72,28
135,00	3,94	0,22	10,94	77,9%	20,33	9,28	217,1	22,6	98,6%	77,3%	76,2%	10,7	3,94	72,60
136,00	3,89	0,18	11,07	76,5%	20,33	9,17	217,8	22,5	98,3%	77,4%	76,6%	10,7	3,89	72,91
137,00	3,84	0,18	11,25	73,7%	20,32	8,98	219,9	22,6	98,9%	77,5%	76,6%	10,5	3,84	73,23
138,00	3,80	0,17	11,40	71,6%	20,31	8,83	220,2	22,6	99,0%	77,6%	76,8%	10,4	3,80	73,55
139,00	3,76	0,17	11,32	73,0%	20,32	8,92	220,0	22,7	99,0%	77,5%	76,7%	10,4	3,76	73,86
140,00	3,71	0,16	11,05	77,1%	20,33	9,20	217,1	22,6	99,0%	77,5%	76,7%	10,7	3,71	74,18
141,00	3,71	0,25	10,27	88,7%	20,37	9,97	213,1	22,5	98,3%	76,9%	75,6%	11,4	3,71	74,17
142,00	3,66	0,26	9,72	99,0%	20,40	10,55	209,2	22,6	98,1%	76,6%	75,1%	12,0	3,66	74,49
143,00	3,62	0,28	9,01	114,0%	20,44	11,29	205,8	22,5	97,9%	75,9%	74,3%	12,9	3,62	74,81
144,00	3,57	0,27	8,74	120,3%	20,45	11,57	203,6	22,5	97,8%	75,7%	74,1%	13,3	3,57	75,13
145,00	3,57	0,26	8,71	121,3%	20,45	11,61	201,9	22,4	97,9%	75,8%	74,2%	13,3	3,57	75,13
146,00	3,53	0,24	8,70	122,2%	20,46	11,64	200,7	22,4	98,1%	75,9%	74,5%	13,4	3,53	75,44
147,00	3,48	0,21	8,75	121,8%	20,45	11,60	199,5	22,2	98,4%	76,1%	74,9%	13,4	3,48	75,76
148,00	3,48	0,22	8,84	119,2%	20,45	11,50	199,0	22,4	98,3%	76,2%	75,0%	13,2	3,48	75,76
149,00	3,44	0,21	8,89	118,2%	20,45	11,45	199,0	22,4	98,4%	76,3%	75,1%	13,1	3,44	76,07
150,00	3,39	0,21	9,06	114,3%	20,44	11,27	198,7	22,4	98,5%	76,5%	75,4%	12,9	3,39	76,39
151,00	3,39	0,22	9,14	112,3%	20,43	11,19	198,7	22,4	98,4%	76,6%	75,4%	12,8	3,39	76,39
152,00	3,35	0,22	9,31	108,3%	20,42	11,00	198,5	22,3	98,4%	76,9%	75,6%	12,5	3,35	76,70
153,00	3,30	0,21	9,24	110,2%	20,43	11,08	197,8	22,3	98,5%	76,8%	75,7%	12,7	3,30	77,02
154,00	3,25	0,22	9,22	110,4%	20,43	11,10	196,9	22,2	98,4%	76,9%	75,6%	12,7	3,25	77,34
155,00	3,26	0,21	9,21	110,9%	20,43	11,12	196,9	22,2	98,5%	76,9%	75,7%	12,7	3,26	77,34
156,00	3,21	0,21	9,21	111,0%	20,43	11,12	195,9	22,3	98,5%	76,9%	75,8%	12,7	3,21	77,66
157,00	3,21	0,20	9,04	114,8%	20,44	11,29	194,4	22,4	98,5%	76,9%	75,7%	12,9	3,21	77,66
158,00	3,16	0,23	8,59	125,1%	20,46	11,75	191,9	22,2	98,2%	76,5%	75,1%	13,6	3,16	77,97
159,00	3,16	0,25	8,27	133,1%	20,48	12,08	189,9	22,1	97,9%	76,1%	74,6%	14,0	3,16	77,97
160,00	3,12	0,28	7,92	142,2%	20,50	12,43	187,5	22,2	97,6%	75,8%	74,0%	14,6	3,12	78,28
161,00	3,12	0,29	7,71	148,4%	20,51	12,65	185,6	22,2	97,4%	75,6%	73,7%	14,9	3,12	78,28
162,00	3,07	0,28	7,61	151,7%	20,51	12,76	184,3	22,1	97,4%	75,6%	73,6%	15,1	3,07	78,60
163,00	3,07	0,32	7,54	152,8%	20,51	12,81	183,1	22,2	97,1%	75,6%	73,4%	15,2	3,07	78,60
164,00	3,04	0,34	7,48	154,3%	20,52	12,87	181,8	22,3	96,9%	75,6%	73,2%	15,3	3,04	78,83
165,00	3,03	0,35	7,48	154,0%	20,52	12,87	180,8	22,4	96,8%	75,7%	73,2%	15,2	3,03	78,92
166,00	3,03	0,36	7,44	154,6%	20,52	12,89	179,7	22,7	96,6%	75,8%	73,2%	15,3	3,03	78,92
167,00	2,98	0,33	7,34	158,8%	20,52	13,01	178,3	22,8	96,9%	75,7%	73,4%	15,5	2,98	79,23
168,00	2,98	0,32	7,38	158,0%	20,52	12,99	177,9	22,9	97,0%	75,8%	73,5%	15,5	2,98	79,23
169,00	2,94	0,32	7,38	158,0%	20,52	12,98	176,9	23,1	97,0%	76,0%	73,7%	15,5	2,94	79,55
170,00	2,94	0,33	7,38	157,7%	20,52	12,98	176,3	23,1	96,9%	76,0%	73,7%	15,5	2,94	79,55
171,00	2,89	0,34	7,36	158,1%	20,52	12,99	175,8	23,0	96,8%	76,0%	73,6%	15,5	2,89	79,87
172,00	2,89	0,34	7,35	158,3%	20,52	13,00	175,3	23,1	96,8%	76,0%	73,6%	15,5	2,89	79,87
173,00	2,89	0,40	7,41	154,3%	20,52	12,90	175,1	23,3	96,2%	76,2%	73,3%	15,2	2,89	79,87
174,00	2,85	0,39	7,40	154,9%	20,52	12,92	174,4	23,2	96,2%	76,2%	73,3%	15,3	2,85	80,17
175,00	2,82	0,37	7,30	159,0%	20,52	13,04	173,7	23,2	96,4%	76,1%	73,4%	15,5	2,82	80,39
176,00	2,80	0,38	7,15	163,8%	20,53	13,19	172,8	23,2	96,3%	75,9%	73,1%	15,8	2,80	80,49
177,00	2,80	0,38	7,11	165,1%	20,53	13,23	171,9	23,3	96,3%	76,0%	73,1%	15,9	2,80	80,49
178,00	2,80	0,41	7,00	168,1%	20,54	13,33	171,0	23,3	95,9%	75,8%	72,7%	16,0	2,80	80,49
179,00	2,76	0,43	6,93	169,5%	20,54	13,39	170,2	23,3	95,6%	75,8%	72,4%	16,1	2,76	80,81
180,00	2,76	0,47	6,88	170,1%	20,54	13,42	169,5	23,3	95,2%	75,7%	72,1%	16,1	2,76	80,81
181,00	2,76	0,46	6,78	174,1%	20,55	13,53	169,0	23,2	95,2%	75,6%	72,0%	16,4	2,76	80,81
182,00	2,71	0,46	6,59	182,0%	20,56	13,74	167,4	23,3	95,2%	75,4%	71,8%	16,9	2,71	81,13
183,00	2,71	0,46	6,54	184,0%	20,56	13,80	166,8	23,3	95,1%	75,4%	71,7%	17,0	2,71	81,13
184,00	2,67	0,49	6,51	183,9%	20,56	13,81	165,8	23,4	94,7%	75,4%	71,4%	17,0	2,67	81,45
185,00	2,67	0,50	6,46	185,5%	20,56	13,86	164,3	23,5	94,5%	75,5%	71,3%	17,0	2,67	81,45
186,00	2,67	0,71	6,05	193,8%	20,57	14,17	163,5	23,4	91,8%	74,6%	68,5%	17,4	2,67	81,45
187,00	2,67	0,54	6,34	188,9%	20,57	13,96	162,8	23,4	94,0%	75,3%	70,9%	17,2	2,67	81,45
188,00	2,62	0,56	6,38	186,3%	20,56	13,91	161,9	23,5	93,8%	75,5%	70,9%	17,1	2,62	81,76
189,00	2,62	0,58	6,26	190,5%	20,57	14,02	159,0	23,4	93,5%	75,6%	70,7%	17,3	2,62	81,76
190,00	2,62	1,19	5,17	212,1%	20,59	14,83	157,2	23,4	85,3%	73,0%	62,2%	18,2	2,62	81,76
191,00	2,62	1,25	5,04	216,0%	20,60	14,94	155,8	23,4	84,4%	72,7%	61,4%	18,4	2,62	81,76
192,00	2,57	1,25	5,02	216,5%	20,60	14,95	154,8	23,5	84,3%	72,8%	61,4%	18,5	2,57	82,08
193,00	2,57	1,26	5,01	217,0%	20,60	14,96	153,5	23,4	84,2%	72,9%	61,4%	18,5	2,57	82,08
194,00	2,53	1,25	4,96	220,1%	20,60	15,02	152,1	23,5	84,2%	72,9%	61,4%	18,7	2,53	82,39
195,00	2,53	1,24	4,96	220,5%	20,60	15,03	151,7	23,4	84,3%	73,0%	61,5%	18,7	2,53	82,40
196,00	2,53	1,01	5,42	208,6%	20,59	14,66	150,4	23,5	87,7%	74,5%	65,3%	18,1	2,53	82,40
197,00	2,48	1,21	5,00	220,0%	20,60	15,00	149,3	23,4	84,7%	73,4%	62,2%	18,7	2,48	82,70
198,00	2,48	1,24	4,97	220,1%	20,60	15,02	149,0	23,4	84,4%	73,4%	61,9%	18,7	2,48	82,71
199,00	2,48	0,93	5,57	205,6%	20,59	14,55	147,6	23,3	88,8%	75,2%	66,8%	18,0	2,48	82,71
200,00	2,44	1,23	5,00	218,9%	20,60	14,99	147,0	23,3	84,5%	73,7%	62,3%	18,6	2,44	83,02
201,00	2,44	1,19	5,03	219,3%	20,60	14,98	145,6	23,4	85,0%	74,0%	62,9%	18,7	2,44	83,02
202,00	2,44	1,22	4,95	221,9%	20,61	15,04	144,8	23,3	84,5%	73,8%	62,4%	18,8	2,44	83,02
203,00	2,44	1,17	4,85	229,8%	20,61	15,18	144,2	23,3	84,8%	73,6%	62,4%	19,3	2,44	83,02
204,00	2,39	1,13	4,87	231,1%	20,61	15,18	143,3	23,3	85,2%	73,8%	62,9%	19,4	2,39	83,34
205,00	2,39	1,12	4,85	233,0%	20,62	15,21	142,7	23,3	85,4%	73,8%	63,0%	19,5	2,39	83,34
206,00	2,39	1,10	4,85	233,8%	20,62	15,22	141,9	23,3	85,5%	73,9%	63,2%	19,5	2,39	83,34
207,00	2,39	1,11	4,88	231,5%	20,62	15,18	141,2	23,4	85,5%	74,1%	63,4%	19,4	2,39	83,34
208,00	2,39	1,11	4,87	232,5%	20,62	15,20	140,3	23,4	85,5%	74,2%	63,4%	19,5	2,39	83,34
209,00	2,37	1,12	4,90	230,0%	20,61	15,15	139,8	23,5	85,4%	74,4%	63,5%	19,3	2,37	83,51

210,00	2,35	1,12	4,92	228,9%	20,61	15,13	138,9	23,5	85,4%	74,5%	63,7%	19,2	2,35	83,66
211,00	2,35	1,12	4,92	229,1%	20,61	15,14	138,2	23,6	85,5%	74,6%	63,8%	19,3	2,35	83,66
212,00	2,35	1,11	4,92	229,7%	20,61	15,14	137,5	23,6	85,6%	74,7%	64,0%	19,3	2,35	83,66
213,00	2,35	1,12	4,88	231,2%	20,61	15,18	137,2	23,5	85,4%	74,6%	63,8%	19,4	2,35	83,66
214,00	2,30	1,12	4,91	229,5%	20,61	15,15	136,7	23,4	85,4%	74,8%	63,9%	19,3	2,30	83,97
215,00	2,30	1,12	4,92	228,8%	20,61	15,13	136,2	23,5	85,5%	74,9%	64,0%	19,2	2,30	83,97
216,00	2,30	1,09	4,87	233,3%	20,62	15,20	135,8	23,5	85,7%	74,8%	64,1%	19,5	2,30	83,97
217,00	2,30	1,05	4,90	233,6%	20,62	15,19	135,2	23,5	86,2%	75,0%	64,6%	19,6	2,30	83,98
218,00	2,30	1,07	4,95	229,7%	20,61	15,13	134,7	23,5	86,1%	75,2%	64,7%	19,3	2,30	83,97
219,00	2,29	1,06	4,96	229,9%	20,61	15,12	134,2	23,5	86,3%	75,3%	64,9%	19,3	2,29	84,06
220,00	2,26	1,06	5,02	226,8%	20,61	15,06	134,0	23,4	86,4%	75,4%	65,2%	19,2	2,26	84,29
221,00	2,26	1,07	4,93	230,9%	20,61	15,15	133,6	23,3	86,1%	75,2%	64,7%	19,4	2,26	84,29
222,00	2,26	1,08	4,93	230,3%	20,61	15,14	133,0	23,4	85,9%	75,3%	64,7%	19,3	2,26	84,29
223,00	2,23	1,09	4,96	228,3%	20,61	15,11	132,6	23,4	85,9%	75,4%	64,8%	19,2	2,23	84,48
224,00	2,21	1,08	4,96	228,7%	20,61	15,11	132,5	23,4	86,0%	75,5%	64,9%	19,3	2,21	84,61
225,00	2,21	1,08	4,98	227,5%	20,61	15,09	131,9	23,4	86,0%	75,6%	65,0%	19,2	2,21	84,61
226,00	2,21	1,08	4,98	227,8%	20,61	15,09	131,9	23,3	86,1%	75,6%	65,0%	19,2	2,21	84,61
227,00	2,21	1,08	5,01	226,2%	20,61	15,06	131,8	23,3	86,2%	75,7%	65,2%	19,1	2,21	84,61
228,00	2,17	1,09	5,03	224,3%	20,61	15,03	131,4	23,2	86,0%	75,7%	65,2%	19,0	2,17	84,92
229,00	2,17	1,10	5,03	224,3%	20,61	15,03	131,4	23,3	86,0%	75,7%	#DIV/0!	19,0	2,17	84,92
230,00	2,17	1,10	5,05	223,3%	20,61	15,01	131,2	23,3	86,0%	75,8%	65,2%	18,9	2,17	84,92
231,00	2,17	1,10	5,03	223,9%	20,61	15,03	130,8	23,3	86,0%	75,8%	65,2%	19,0	2,17	84,92
232,00	2,12	1,10	5,03	224,1%	20,61	15,03	130,9	23,4	86,0%	75,8%	65,2%	19,0	2,12	85,23
233,00	2,17	1,09	5,03	224,3%	20,61	15,03	130,3	23,3	86,0%	75,9%	65,3%	19,0	2,17	84,92
234,00	2,12	1,09	5,03	224,5%	20,61	15,03	130,3	23,2	86,1%	75,9%	65,3%	19,0	2,12	85,23
235,00	2,12	1,10	5,08	221,5%	20,60	14,98	129,9	23,2	86,1%	76,0%	65,4%	18,8	2,12	85,23
236,00	2,12	1,11	5,08	220,9%	20,60	14,97	129,9	23,2	86,0%	76,0%	65,4%	18,8	2,12	85,23
237,00	2,11	1,10	5,07	222,4%	20,61	14,99	129,9	23,3	86,1%	76,0%	65,4%	18,9	2,11	85,28
238,00	2,12	1,09	5,07	222,6%	20,61	14,99	129,7	23,2	86,1%	76,0%	65,5%	18,9	2,12	85,24
239,00	2,08	1,09	5,10	221,1%	20,60	14,96	129,4	23,3	86,2%	76,1%	65,7%	18,8	2,08	85,55
240,00	2,08	1,09	5,09	221,5%	20,60	14,97	129,5	23,3	86,2%	76,1%	65,6%	18,8	2,08	85,55
241,00	2,08	1,10	5,08	221,3%	20,60	14,97	129,3	23,2	86,1%	76,1%	65,5%	18,8	2,08	85,55
242,00	2,03	1,07	5,02	226,1%	20,61	15,06	129,2	23,2	86,2%	76,0%	65,5%	19,1	2,03	85,87
243,00	2,03	1,06	5,08	223,3%	20,61	15,00	129,0	23,1	86,5%	76,1%	65,8%	19,0	2,03	85,87
244,00	2,03	1,06	5,08	223,5%	20,61	15,00	129,0	23,0	86,5%	76,1%	65,8%	19,0	2,03	85,87
245,00	2,01	1,04	5,06	225,4%	20,61	15,02	128,8	23,1	86,7%	76,1%	66,0%	19,1	2,01	85,99
246,00	2,03	1,05	5,07	224,8%	20,61	15,02	128,4	23,0	86,6%	76,2%	66,0%	19,1	2,03	85,87
247,00	1,98	1,05	5,07	224,8%	20,61	15,02	128,5	23,1	86,6%	76,2%	65,9%	19,1	1,98	86,19
248,00	2,02	1,04	5,10	223,5%	20,61	14,99	128,4	23,1	86,7%	76,3%	66,1%	19,0	2,02	85,95
249,00	1,98	1,05	5,11	222,4%	20,61	14,97	128,2	23,1	86,7%	76,3%	66,2%	18,9	1,98	86,19
250,00	1,98	1,03	5,03	227,7%	20,61	15,07	127,6	23,1	86,7%	76,2%	66,1%	19,2	1,98	86,19
251,00	1,94	1,03	4,84	238,7%	20,62	15,27	127,4	23,2	86,3%	75,8%	65,4%	19,9	1,94	86,50
252,00	1,94	1,01	4,85	239,0%	20,62	15,27	127,0	23,2	86,6%	75,9%	65,7%	19,9	1,94	86,50
253,00	1,94	1,01	4,82	240,8%	20,62	15,30	126,9	23,2	86,5%	75,8%	65,6%	20,0	1,94	86,50
254,00	1,94	1,01	4,87	237,7%	20,62	15,24	126,9	23,1	86,6%	75,9%	65,8%	19,8	1,94	86,50
255,00	1,94	1,01	4,89	237,0%	20,62	15,23	126,8	23,1	86,7%	76,0%	65,8%	19,8	1,94	86,50
256,00	1,94	1,01	4,87	237,7%	20,62	15,24	126,7	23,1	86,6%	76,0%	65,8%	19,8	1,94	86,50
257,00	1,94	1,01	4,87	237,5%	20,62	15,24	126,1	23,0	86,6%	76,0%	65,8%	19,8	1,94	86,51
258,00	1,89	1,01	4,77	243,3%	20,63	15,35	125,7	23,0	86,3%	75,8%	65,5%	20,1	1,89	86,82
259,00	1,89	1,01	4,79	242,2%	20,63	15,33	125,4	23,1	86,4%	75,9%	65,6%	20,1	1,89	86,82
260,00	1,89	1,01	4,82	240,4%	20,62	15,29	125,4	23,1	86,5%	76,0%	65,7%	20,0	1,89	86,82
261,00	1,89	1,00	4,78	243,9%	20,63	15,35	125,0	23,0	86,5%	75,9%	65,7%	20,2	1,89	86,82
262,00	1,87	1,00	4,81	242,2%	20,63	15,32	124,8	23,1	86,6%	76,0%	65,8%	20,1	1,87	86,95
263,00	1,85	0,99	4,82	241,4%	20,62	15,30	124,4	23,1	86,7%	76,1%	66,0%	20,0	1,85	87,13
264,00	1,85	0,99	4,79	243,5%	20,63	15,34	124,2	23,0	86,7%	76,1%	65,9%	20,2	1,85	87,13
265,00	1,85	0,99	4,81	242,6%	20,63	15,32	123,9	23,0	86,7%	76,1%	66,0%	20,1	1,85	87,13
266,00	1,85	0,98	4,79	244,1%	20,63	15,35	123,9	23,0	86,8%	76,1%	66,0%	20,2	1,85	87,13
267,00	1,80	0,98	4,79	244,1%	20,63	15,35	123,6	23,0	86,8%	76,1%	66,1%	20,2	1,80	87,45
268,00	1,80	0,99	4,81	242,4%	20,63	15,32	123,6	23,0	86,7%	76,2%	66,0%	20,1	1,80	87,45
269,00	1,80	0,99	4,82	241,4%	20,62	15,30	123,5	23,0	86,7%	76,2%	66,1%	20,0	1,80	87,45
270,00	1,80	0,99	4,82	241,4%	20,62	15,30	123,5	23,0	86,7%	76,2%	66,1%	20,0	1,80	87,45
271,00	1,80	1,01	4,84	239,5%	20,62	15,28	123,4	23,0	86,5%	76,3%	66,0%	19,9	1,80	87,45
272,00	1,80	1,01	4,86	238,3%	20,62	15,26	123,4	23,0	86,5%	76,3%	66,0%	19,8	1,80	87,46
273,00	1,76	1,01	4,84	239,3%	20,62	15,27	123,3	22,9	86,5%	76,3%	66,0%	19,9	1,76	87,76
274,00	1,76	1,01	4,89	236,4%	20,62	15,22	123,4	22,9	86,6%	76,4%	66,2%	19,7	1,76	87,76
275,00	1,76	1,01	4,89	236,8%	20,62	15,23	123,4	23,0	86,7%	76,4%	66,2%	19,8	1,76	87,76
276,00	1,76	1,01	4,89	236,8%	20,62	15,23	123,2	23,0	86,7%	76,4%	66,2%	19,8	1,76	87,76
277,00	1,75	1,01	4,91	235,7%	20,62	15,21	123,0	23,0	86,7%	76,5%	66,3%	19,7	1,75	87,78
278,00	1,71	1,01	4,92	234,6%	20,62	15,19	123,1	22,9	86,7%	76,5%	66,3%	19,6	1,71	88,08
279,00	1,71	1,02	4,92	234,2%	20,62	15,18	123,1	22,9	86,6%	76,5%	66,2%	19,6	1,71	88,08
280,00	1,71	1,03	4,91	234,6%	20,62	15,20	122,9	23,0	86,5%	76,5%	66,1%	19,6	1,71	88,08
281,00	1,71	1,03	4,92	233,8%	20,62	15,18	123,2	22,9	86,5%	76,5%	66,2%	19,6	1,71	88,08
282,00	1,67	1,02	4,92	234,0%	20,62	15,18	122,7	22,9	86,6%	76,5%	66,3%	19,6	1,67	88,40
283,00	1,71	1,02	4,96	232,5%	20,62	15,15	123,1	22,9	86,7%	76,6%	66,4%	19,5	1,71	88,08
284,00	1,67	1,05	4,94	231,8%	20,62	15,15	122,8	22,9	86,3%	76,6%	66,1%	19,5	1,67	88,40
285,00	1,67	1,05	4,96	230,5%	20,61	15,13	123,0	22,9	86,3%	76,6%	66,1%	19,4	1,67	88,40

286,00	1,67	1,11	4,97	226,3%	20,61	15,08	122,8	22,9	85,7%	76,6%	65,6%	19,1	1,67	88,40
287,00	1,66	1,10	5,01	225,1%	20,61	15,05	122,7	22,9	85,9%	76,7%	65,9%	19,0	1,66	88,42
288,00	1,62	1,08	5,03	225,0%	20,61	15,04	123,1	22,9	86,2%	76,7%	66,1%	19,0	1,62	88,72
289,00	1,62	1,07	5,04	225,3%	20,61	15,04	123,0	22,9	86,3%	76,8%	66,3%	19,1	1,62	88,72
290,00	1,62	1,06	5,04	225,7%	20,61	15,04	123,2	22,9	86,4%	76,7%	66,3%	19,1	1,62	88,72
291,00	1,62	1,06	5,07	223,9%	20,61	15,01	123,0	22,8	86,5%	76,8%	66,4%	19,0	1,62	88,72
292,00	1,58	1,05	5,07	224,3%	20,61	15,01	123,0	22,9	86,5%	76,8%	66,5%	19,0	1,58	89,03
293,00	1,58	1,07	5,02	225,8%	20,61	15,05	123,1	22,9	86,2%	76,7%	66,1%	19,1	1,58	89,03
294,00	1,58	1,07	5,02	225,8%	20,61	15,05	123,0	22,9	86,2%	76,7%	66,2%	19,1	1,58	89,03
295,00	1,58	1,06	5,04	225,5%	20,61	15,04	123,0	22,9	86,4%	76,8%	66,3%	19,1	1,58	89,03
296,00	1,58	1,06	5,02	226,6%	20,61	15,06	122,9	22,9	86,4%	76,7%	66,3%	19,1	1,58	89,03
297,00	1,53	1,06	5,06	225,0%	20,61	15,02	123,0	22,8	86,5%	76,8%	66,4%	19,1	1,53	89,34
298,00	1,53	1,05	5,01	227,8%	20,61	15,08	123,0	22,8	86,4%	76,7%	66,3%	19,2	1,53	89,34
299,00	1,57	1,06	5,01	227,6%	20,61	15,08	123,0	22,8	86,4%	76,7%	66,2%	19,2	1,57	89,05
300,00	1,53	1,06	4,99	228,5%	20,61	15,09	123,0	22,8	86,3%	76,6%	66,2%	19,3	1,53	89,34
301,00	1,53	1,05	4,99	228,7%	20,61	15,10	123,2	22,8	86,4%	76,6%	66,2%	19,3	1,53	89,35
302,00	1,50	1,05	4,97	229,6%	20,61	15,11	122,9	22,8	86,3%	76,6%	66,1%	19,3	1,50	89,52
303,00	1,49	1,05	4,97	229,6%	20,61	15,11	123,0	22,8	86,3%	76,6%	66,1%	19,3	1,49	89,66
304,00	1,49	1,05	4,91	233,3%	20,62	15,18	122,5	22,8	86,2%	76,5%	65,9%	19,5	1,49	89,66
305,00	1,49	1,06	4,78	240,6%	20,62	15,32	122,4	22,9	85,9%	76,2%	65,4%	20,0	1,49	89,66
306,00	1,49	1,06	4,79	239,6%	20,62	15,30	122,3	22,8	85,9%	76,3%	65,5%	19,9	1,49	89,66
307,00	1,44	1,05	4,78	241,0%	20,62	15,32	122,1	22,8	85,9%	76,2%	65,5%	20,0	1,44	89,98
308,00	1,44	1,04	4,78	241,6%	20,62	15,33	121,9	22,8	86,0%	76,3%	65,6%	20,0	1,44	89,98
309,00	1,44	1,04	4,78	241,8%	20,62	15,33	121,8	22,9	86,1%	76,3%	65,7%	20,0	1,44	89,98
310,00	1,44	1,03	4,79	241,0%	20,62	15,32	121,8	22,8	86,2%	76,3%	65,8%	20,0	1,44	89,98
311,00	1,44	1,03	4,79	241,4%	20,62	15,32	121,8	22,8	86,2%	76,3%	65,8%	20,0	1,44	89,98
312,00	1,42	1,03	4,82	239,1%	20,62	15,28	121,9	22,8	86,2%	76,4%	65,9%	19,9	1,42	90,10
313,00	1,39	1,04	4,82	238,7%	20,62	15,28	121,8	22,8	86,2%	76,4%	65,8%	19,9	1,39	90,29
314,00	1,39	1,03	4,81	240,0%	20,62	15,30	121,8	22,8	86,2%	76,4%	65,8%	19,9	1,39	90,29
315,00	1,39	1,05	4,84	237,4%	20,62	15,26	121,7	22,8	86,1%	76,5%	65,8%	19,9	1,39	90,29
316,00	1,39	1,04	4,81	239,4%	20,62	15,29	121,4	22,7	86,1%	76,4%	65,8%	19,9	1,39	90,29
317,00	1,39	1,05	4,81	239,3%	20,62	15,29	121,4	22,8	86,0%	76,4%	65,7%	19,9	1,39	90,29
318,00	1,35	1,05	4,82	238,1%	20,62	15,27	121,4	22,8	86,0%	76,4%	65,8%	19,8	1,35	90,61
319,00	1,35	1,04	4,82	238,7%	20,62	15,28	121,2	22,8	86,2%	76,5%	65,9%	19,9	1,35	90,61
320,00	1,35	1,04	4,84	237,9%	20,62	15,26	121,2	22,8	86,2%	76,5%	66,0%	19,8	1,35	90,61
321,00	1,35	1,04	4,87	235,7%	20,62	15,22	121,0	22,9	86,2%	76,6%	66,1%	19,7	1,35	90,61
322,00	1,35	1,03	4,87	236,2%	20,62	15,23	121,1	22,8	86,3%	76,6%	66,1%	19,7	1,35	90,61
323,00	1,30	1,08	4,82	236,4%	20,62	15,26	121,2	22,7	85,7%	76,5%	65,5%	19,7	1,30	90,93
324,00	1,31	1,11	4,81	235,8%	20,62	15,26	121,0	22,7	85,4%	76,4%	65,2%	19,6	1,31	90,91
325,00	1,30	1,10	4,83	235,3%	20,62	15,24	121,0	22,7	85,5%	76,5%	65,4%	19,6	1,30	90,93
326,00	1,30	1,08	4,81	237,4%	20,62	15,27	120,8	22,8	85,7%	76,5%	65,5%	19,8	1,30	90,93
327,00	1,29	1,07	4,81	237,7%	20,62	15,28	120,9	22,7	85,7%	76,5%	65,6%	19,8	1,29	90,98
328,00	1,26	1,06	4,81	238,3%	20,62	15,28	120,7	22,7	85,9%	76,5%	65,7%	19,8	1,26	91,25
329,00	1,26	1,06	4,81	238,5%	20,62	15,28	120,7	22,7	85,9%	76,5%	65,7%	19,8	1,26	91,25
330,00	1,26	1,05	4,78	240,8%	20,62	15,32	120,6	22,8	85,9%	76,4%	65,6%	20,0	1,26	91,25
331,00	1,26	1,04	4,79	240,4%	20,62	15,31	120,7	22,7	86,0%	76,4%	65,8%	19,9	1,26	91,25
332,00	1,26	1,03	4,79	241,0%	20,62	15,32	120,5	22,7	86,2%	76,5%	65,9%	20,0	1,26	91,25
333,00	1,26	1,03	4,79	241,2%	20,62	15,32	120,4	22,7	86,2%	76,5%	65,9%	20,0	1,26	91,25
334,00	1,26	1,03	4,81	240,4%	20,62	15,30	120,3	22,8	86,3%	76,6%	66,0%	20,0	1,26	91,25
335,00	1,21	1,02	4,79	241,8%	20,62	15,32	120,4	22,8	86,3%	76,5%	66,0%	20,0	1,21	91,55
336,00	1,21	1,02	4,82	239,8%	20,62	15,29	120,4	22,7	86,4%	76,6%	66,1%	19,9	1,21	91,55
337,00	1,21	1,01	4,81	241,6%	20,62	15,31	120,4	22,7	86,5%	76,6%	66,2%	20,0	1,21	91,55
338,00	1,21	1,00	4,79	242,7%	20,63	15,33	120,1	22,7	86,5%	76,5%	66,2%	20,1	1,21	91,55
339,00	1,21	0,99	4,78	244,3%	20,63	15,35	120,0	22,7	86,6%	76,5%	66,2%	20,2	1,21	91,55
340,00	1,17	0,99	4,78	244,5%	20,63	15,36	119,9	22,7	86,6%	76,5%	66,3%	20,2	1,17	91,87
341,00	1,17	1,00	4,76	245,1%	20,63	15,37	119,9	22,7	86,5%	76,5%	66,2%	20,2	1,17	91,87
342,00	1,17	0,99	4,76	245,3%	20,63	15,37	120,0	22,7	86,5%	76,5%	66,2%	20,3	1,17	91,87
343,00	1,17	0,99	4,78	244,3%	20,63	15,35	120,0	22,7	86,6%	76,5%	66,3%	20,2	1,17	91,87
344,00	1,12	0,98	4,74	246,9%	20,63	15,40	120,2	22,7	86,6%	76,4%	66,2%	20,4	1,12	92,19
345,00	1,12	0,98	4,73	247,9%	20,63	15,41	119,8	22,8	86,6%	76,4%	66,2%	20,4	1,12	92,19
346,00	1,12	0,99	4,76	245,7%	20,63	15,38	119,9	22,7	86,6%	76,5%	66,3%	20,3	1,12	92,19
347,00	1,12	0,99	4,78	244,7%	20,63	15,36	119,9	22,7	86,7%	76,5%	66,3%	20,2	1,12	92,19
348,00	1,12	0,99	4,76	245,7%	20,63	15,38	119,7	22,7	86,6%	76,5%	66,3%	20,3	1,12	92,19
349,00	1,12	0,98	4,78	244,9%	20,63	15,36	119,9	22,7	86,7%	76,5%	66,4%	20,2	1,12	92,19
350,00	1,08	0,98	4,79	243,9%	20,63	15,34	119,7	22,6	86,7%	76,6%	66,4%	20,2	1,08	92,51
351,00	1,08	1,00	4,76	245,1%	20,63	15,37	119,8	22,6	86,5%	76,5%	66,2%	20,2	1,08	92,51
352,00	1,08	0,99	4,74	246,5%	20,63	15,39	119,8	22,6	86,5%	76,5%	66,2%	20,3	1,08	92,51
353,00	1,08	0,98	4,74	246,9%	20,63	15,40	119,7	22,6	86,6%	76,5%	66,2%	20,4	1,08	92,51
354,00	1,08	0,98	4,71	249,3%	20,63	15,43	119,7	22,7	86,6%	76,4%	66,2%	20,5	1,08	92,51
355,00	1,08	0,98	4,73	248,3%	20,63	15,42	119,7	22,6	86,7%	76,4%	66,2%	20,4	1,08	92,51
356,00	1,03	0,98	4,74	247,3%	20,63	15,40	119,5	22,6	86,7%	76,5%	66,3%	20,4	1,03	92,82
357,00	1,03	0,97	4,71	249,7%	20,63	15,44	119,5	22,7	86,7%	76,4%	66,3%	20,5	1,03	92,82
358,00	1,03	0,97	4,74	247,5%	20,63	15,40	119,3	22,7	86,7%	76,5%	66,4%	20,4	1,03	92,82
359,00	1,03	0,97	4,76	246,7%	20,63	15,39	119,4	22,6	86,8%	76,6%	66,5%	20,4	1,03	92,82
360,00	1,03	0,97	4,78	245,7%	20,63	15,37	119,4	22,7	86,8%	76,6%	66,5%	20,3	1,03	92,82
361,00	0,99	0,97	4,76	246,9%	20,63	15,39	119,4	22,6	86,8%	76,6%	66,5%	20,4	0,99	93,14

362,00	0,99	0,97	4,79	244,9%	20,63	15,35	119,3	22,7	86,9%	76,7%	66,6%	20,3	0,99	93,14
363,00	0,99	0,97	4,79	244,9%	20,63	15,35	119,0	22,7	86,9%	76,7%	66,7%	20,3	0,99	93,14
364,00	0,99	0,96	4,76	247,3%	20,63	15,39	119,1	22,6	86,9%	76,6%	66,6%	20,4	0,99	93,14
365,00	0,99	0,96	4,76	247,5%	20,63	15,39	119,2	22,6	87,0%	76,6%	66,6%	20,4	0,99	93,14
366,00	0,94	0,95	4,74	248,7%	20,63	15,41	119,0	22,6	87,0%	76,6%	66,6%	20,5	0,94	93,46
367,00	0,94	0,96	4,76	247,3%	20,63	15,39	119,0	22,6	86,9%	76,6%	66,6%	20,4	0,94	93,46
368,00	0,94	0,96	4,78	246,1%	20,63	15,37	119,2	22,7	86,9%	76,6%	66,6%	20,3	0,94	93,46
369,00	0,94	0,96	4,79	245,5%	20,63	15,36	118,9	22,7	87,0%	76,7%	66,8%	20,3	0,94	93,46
370,00	0,94	0,96	4,79	245,5%	20,63	15,36	119,0	22,6	87,0%	76,7%	66,8%	20,3	0,94	93,46
371,00	0,94	0,96	4,81	244,5%	20,63	15,34	119,1	22,6	87,1%	76,7%	66,8%	20,2	0,94	93,49
372,00	0,90	0,96	4,82	243,3%	20,63	15,32	119,0	22,7	87,1%	76,8%	66,8%	20,2	0,90	93,77
373,00	0,94	0,96	4,84	242,6%	20,63	15,31	119,1	22,6	87,1%	76,8%	66,9%	20,1	0,94	93,46
374,00	0,90	0,97	4,82	242,9%	20,63	15,32	118,9	22,6	87,0%	76,8%	66,8%	20,1	0,90	93,77
375,00	0,90	0,97	4,86	241,0%	20,62	15,28	119,0	22,6	87,1%	76,8%	66,9%	20,0	0,90	93,77
376,00	0,89	0,97	4,87	240,0%	20,62	15,27	118,8	22,6	87,1%	76,9%	67,0%	20,0	0,89	93,77
377,00	0,87	0,96	4,89	239,6%	20,62	15,25	119,0	22,6	87,2%	76,9%	67,1%	20,0	0,87	93,97
378,00	0,85	0,95	4,91	238,9%	20,62	15,24	119,1	22,6	87,3%	77,0%	67,2%	19,9	0,85	94,08
379,00	0,85	0,95	4,91	239,1%	20,62	15,24	119,3	22,6	87,4%	76,9%	67,2%	19,9	0,85	94,08
380,00	0,85	0,94	4,92	238,5%	20,62	15,23	119,4	22,6	87,5%	77,0%	67,3%	19,9	0,85	94,08
381,00	0,85	0,94	4,92	238,7%	20,62	15,23	119,5	22,6	87,5%	77,0%	67,3%	19,9	0,85	94,08
382,00	0,84	0,94	4,91	239,5%	20,62	15,24	119,7	22,6	87,4%	76,9%	67,2%	20,0	0,84	94,15
383,00	0,80	0,94	4,92	238,7%	20,62	15,23	119,4	22,6	87,5%	77,0%	67,3%	19,9	0,80	94,40
384,00	0,80	0,93	4,92	239,1%	20,62	15,23	119,4	22,6	87,6%	77,0%	67,4%	19,9	0,80	94,40
385,00	0,80	0,93	4,94	238,3%	20,62	15,22	119,7	22,6	87,7%	77,0%	67,5%	19,9	0,80	94,40
386,00	0,80	0,93	4,97	236,4%	20,62	15,18	119,6	22,6	87,7%	77,1%	67,6%	19,8	0,80	94,40
387,00	0,76	0,92	4,99	236,2%	20,62	15,17	119,7	22,5	87,9%	77,1%	67,8%	19,8	0,76	94,72
388,00	0,76	0,96	4,96	235,5%	20,62	15,18	119,8	22,6	87,3%	77,0%	67,2%	19,7	0,76	94,72
389,00	0,76	0,99	4,97	233,3%	20,62	15,15	120,0	22,6	87,1%	77,0%	67,0%	19,6	0,76	94,72
390,00	0,76	0,98	4,99	232,7%	20,62	15,14	120,1	22,6	87,2%	77,0%	67,1%	19,5	0,76	94,72
391,00	0,76	0,98	4,99	232,9%	20,62	15,14	120,2	22,5	87,2%	77,0%	67,2%	19,6	0,76	94,72
392,00	0,71	0,97	5,01	232,3%	20,62	15,12	120,4	22,5	87,3%	77,0%	67,3%	19,5	0,71	95,03
393,00	0,71	0,97	5,01	232,5%	20,62	15,13	120,5	22,5	87,4%	77,0%	67,3%	19,5	0,71	95,03
394,00	0,71	0,96	5,01	233,1%	20,62	15,13	120,5	22,6	87,5%	77,0%	67,4%	19,6	0,71	95,03
395,00	0,71	0,95	4,99	234,4%	20,62	15,15	120,6	22,6	87,5%	77,0%	67,4%	19,7	0,71	95,03
396,00	0,71	0,95	5,02	232,6%	20,62	15,12	120,6	22,6	87,6%	77,0%	67,5%	19,6	0,71	95,03
397,00	0,71	0,96	5,04	231,2%	20,61	15,10	120,9	22,6	87,6%	77,0%	67,4%	19,5	0,71	95,03
398,00	0,67	0,95	5,06	230,5%	20,61	15,08	121,0	22,6	87,6%	77,1%	67,5%	19,4	0,67	95,35
399,00	0,67	0,96	5,06	230,3%	20,61	15,08	121,3	22,6	87,6%	77,0%	67,5%	19,4	0,67	95,35
400,00	0,67	0,94	5,07	230,1%	20,61	15,07	121,4	22,6	87,8%	77,1%	67,6%	19,4	0,67	95,35
401,00	0,67	0,93	5,11	229,1%	20,61	15,04	121,5	22,5	88,0%	77,1%	67,8%	19,4	0,67	95,35
402,00	0,67	0,92	5,12	228,7%	20,61	15,03	121,6	22,6	88,1%	77,1%	68,0%	19,3	0,67	95,35
403,00	0,62	0,92	5,14	227,8%	20,61	15,01	121,8	22,6	88,2%	77,2%	68,0%	19,3	0,62	95,67
404,00	0,62	0,91	5,14	228,2%	20,61	15,02	121,9	22,6	88,2%	77,1%	68,1%	19,3	0,62	95,67
405,00	0,62	0,90	5,12	229,8%	20,61	15,04	121,8	22,6	88,4%	77,1%	68,1%	19,4	0,62	95,67
406,00	0,62	0,90	5,14	228,9%	20,61	15,02	122,3	22,6	88,4%	77,1%	68,2%	19,4	0,62	95,67
407,00	0,58	0,89	5,15	228,6%	20,61	15,01	122,3	22,5	88,5%	77,1%	68,3%	19,4	0,58	95,97
408,00	0,62	0,89	5,17	227,9%	20,61	15,00	122,3	22,5	88,6%	77,2%	68,4%	19,3	0,62	95,67
409,00	0,58	0,90	5,19	226,1%	20,61	14,97	122,6	22,6	88,4%	77,2%	68,3%	19,2	0,58	95,98
410,00	0,58	0,90	5,16	228,0%	20,61	15,00	122,8	22,5	88,5%	77,1%	68,2%	19,3	0,58	95,98
411,00	0,58	0,88	5,21	226,5%	20,61	14,96	122,9	22,5	88,8%	77,2%	68,5%	19,2	0,58	95,98
412,00	0,58	0,86	5,17	229,0%	20,61	15,01	123,1	22,5	88,9%	77,1%	68,5%	19,4	0,58	95,98
413,00	0,58	0,86	5,19	228,5%	20,61	15,00	123,3	22,5	88,9%	77,1%	68,6%	19,4	0,58	95,98
414,00	0,53	0,86	5,20	227,8%	20,61	14,98	123,4	22,5	89,0%	77,1%	68,7%	19,3	0,53	96,29
415,00	0,53	0,84	5,22	227,6%	20,61	14,97	123,4	22,6	89,2%	77,2%	68,8%	19,3	0,53	96,29
416,00	0,53	0,83	5,22	228,3%	20,61	14,98	123,7	22,5	89,3%	77,1%	68,9%	19,4	0,53	96,29
417,00	0,53	0,83	5,22	228,3%	20,61	14,98	123,7	22,5	89,3%	77,1%	68,9%	19,4	0,53	96,29
418,00	0,53	0,85	5,22	227,5%	20,61	14,97	123,9	22,5	89,2%	77,1%	68,8%	19,3	0,53	96,30
419,00	0,49	0,84	5,22	228,1%	20,61	14,98	123,9	22,5	89,3%	77,1%	68,9%	19,4	0,49	96,61
420,00	0,49	0,82	5,22	228,6%	20,61	14,98	124,2	22,5	89,4%	77,1%	68,9%	19,4	0,49	96,61
421,00	0,49	0,82	5,09	236,4%	20,62	15,12	124,3	22,5	89,3%	76,8%	68,5%	19,9	0,49	96,61
422,00	0,49	0,86	5,02	237,5%	20,62	15,17	124,0	22,5	88,6%	76,6%	67,9%	19,9	0,49	96,61
423,00	0,48	0,92	4,96	238,3%	20,62	15,21	124,0	22,5	87,9%	76,5%	67,2%	19,9	0,48	96,68
424,00	0,47	0,94	4,86	242,8%	20,63	15,30	123,9	22,5	87,4%	76,2%	66,6%	20,1	0,47	96,72
425,00	0,44	0,93	4,82	245,3%	20,63	15,34	123,6	22,5	87,4%	76,2%	66,6%	20,3	0,44	96,93
426,00	0,44	0,92	4,84	245,1%	20,63	15,33	123,8	22,5	87,6%	76,2%	66,8%	20,3	0,44	96,93
427,00	0,40	0,90	4,84	245,9%	20,63	15,34	123,7	22,5	87,8%	76,2%	66,9%	20,4	0,40	97,25
428,00	0,40	0,90	4,84	246,3%	20,63	15,34	123,5	22,5	87,9%	76,2%	67,0%	20,4	0,40	97,25
429,00	0,40	0,89	4,84	246,7%	20,63	15,34	123,7	22,5	87,9%	76,2%	67,0%	20,4	0,40	97,25
430,00	0,40	0,88	4,84	247,2%	20,63	15,35	123,8	22,5	88,0%	76,2%	67,1%	20,4	0,40	97,25
431,00	0,40	0,88	4,76	252,4%	20,63	15,44	123,4	22,5	87,9%	76,1%	66,9%	20,7	0,40	97,25
432,00	0,40	0,89	4,69	255,6%	20,64	15,50	123,5	22,5	87,6%	75,9%	66,4%	20,9	0,40	97,25
433,00	0,40	0,89	4,69	256,1%	20,64	15,50	123,4	22,5	87,7%	75,9%	66,5%	20,9	0,40	97,25
434,00	0,35	0,88	4,66	258,5%	20,64	15,54	123,1	22,5	87,7%	75,8%	66,5%	21,1	0,35	97,54
435,00	0,35	0,89	4,71	254,8%	20,64	15,48	123,1	22,5	87,7%	76,0%	66,6%	20,9	0,35	97,56
436,00	0,35	0,88	4,66	258,4%	20,64	15,54	122,9	22,5	87,6%	75,9%	66,5%	21,1	0,35	97,56
437,00	0,35	0,89	4,54	265,6%	20,65	15,66	122,6	22,5	87,3%	75,6%	66,0%	21,5	0,35	97,56

438,00	0,35	0,88	4,51	268,2%	20,65	15,70	122,3	22,5	87,3%	75,5%	66,0%	21,6	0,35	97,56
439,00	0,35	0,87	4,53	267,8%	20,65	15,68	122,5	22,5	87,5%	75,6%	66,1%	21,6	0,35	97,56
440,00	0,30	0,87	4,53	267,8%	20,65	15,68	122,4	22,5	87,5%	75,6%	66,1%	21,6	0,30	97,88
441,00	0,34	0,88	4,53	267,5%	20,65	15,68	122,0	22,5	87,4%	75,6%	66,1%	21,6	0,34	97,61
442,00	0,30	0,87	4,53	267,9%	20,65	15,68	121,9	22,4	87,5%	75,6%	66,2%	21,6	0,30	97,88
443,00	0,30	0,87	4,53	268,0%	20,65	15,69	121,8	22,4	87,5%	75,6%	66,2%	21,6	0,30	97,88
444,00	0,30	0,87	4,54	267,0%	20,65	15,67	121,6	22,5	87,6%	75,7%	66,3%	21,6	0,30	97,88
445,00	0,26	0,87	4,54	267,0%	20,65	15,67	121,5	22,4	87,6%	75,7%	66,3%	21,6	0,26	98,18
446,00	0,26	0,87	4,53	268,2%	20,65	15,69	121,6	22,4	87,6%	75,7%	66,3%	21,7	0,26	98,19
447,00	0,26	0,87	4,56	265,8%	20,65	15,65	121,4	22,5	87,6%	75,8%	66,4%	21,5	0,26	98,19
448,00	0,26	0,96	4,23	282,7%	20,66	15,95	121,0	22,5	85,6%	74,8%	64,1%	22,4	0,26	98,19
449,00	0,26	0,99	4,13	287,9%	20,66	16,04	121,0	22,4	85,1%	74,5%	63,4%	22,7	0,26	98,19
450,00	0,26	0,97	4,13	289,2%	20,66	16,05	121,1	22,5	85,2%	74,5%	63,5%	22,8	0,26	98,19
451,00	0,26	0,97	4,13	289,3%	20,66	16,05	120,9	22,5	85,2%	74,6%	63,6%	22,8	0,26	98,19
452,00	0,26	0,96	4,11	291,4%	20,66	16,07	120,5	22,4	85,3%	74,5%	63,6%	22,9	0,26	98,19
453,00	0,21	0,96	4,12	290,4%	20,66	16,06	120,1	22,4	85,3%	74,7%	63,7%	22,9	0,21	98,51
454,00	0,21	0,96	4,13	290,4%	20,66	16,06	120,0	22,4	85,4%	74,7%	63,8%	22,9	0,21	98,51
455,00	0,21	0,95	4,09	294,4%	20,67	16,10	119,5	22,4	85,5%	74,6%	63,8%	23,1	0,21	98,51
456,00	0,21	0,94	4,10	293,4%	20,67	16,09	119,3	22,4	85,5%	74,7%	63,9%	23,1	0,21	98,51
457,00	0,21	0,94	4,10	294,5%	20,67	16,10	118,9	22,4	85,6%	74,7%	64,0%	23,1	0,21	98,51
458,00	0,21	0,93	4,07	296,9%	20,67	16,13	118,7	22,4	85,6%	74,7%	63,9%	23,3	0,21	98,51
459,00	0,17	0,93	4,07	296,6%	20,67	16,13	118,3	22,4	85,6%	74,8%	64,0%	23,2	0,17	98,82
460,00	0,17	0,93	4,06	297,9%	20,67	16,14	117,9	22,4	85,6%	74,8%	64,1%	23,3	0,17	98,82
461,00	0,17	0,93	4,07	297,6%	20,67	16,14	117,6	22,4	85,7%	74,9%	64,1%	23,3	0,17	98,82
462,00	0,17	0,92	4,07	298,4%	20,67	16,14	117,5	22,3	85,8%	74,9%	64,2%	23,4	0,17	98,82
463,00	0,17	0,92	4,05	299,7%	20,67	16,16	117,3	22,4	85,7%	74,8%	64,1%	23,4	0,17	98,82
464,00	0,17	0,92	4,06	298,5%	20,67	16,15	117,1	22,4	85,7%	74,9%	64,2%	23,4	0,17	98,83
465,00	0,12	0,91	4,05	300,5%	20,67	16,17	116,7	22,3	85,8%	74,9%	64,2%	23,5	0,12	99,13
466,00	0,12	0,91	4,06	299,6%	20,67	16,16	116,7	22,3	85,8%	74,9%	64,3%	23,4	0,12	99,14
467,00	0,12	0,91	4,04	301,1%	20,67	16,17	116,4	22,3	85,8%	74,9%	64,3%	23,5	0,12	99,14
468,00	0,12	0,90	4,01	304,5%	20,67	16,21	116,1	22,3	85,8%	74,9%	64,2%	23,7	0,12	99,14
469,00	0,12	0,90	3,99	306,4%	20,67	16,24	115,9	22,3	85,8%	74,8%	64,2%	23,8	0,12	99,14
470,00	0,09	0,91	4,02	303,0%	20,67	16,20	115,7	22,4	85,8%	75,0%	64,3%	23,6	0,09	99,38
471,00	0,11	0,90	4,02	303,7%	20,67	16,21	115,6	22,3	85,8%	75,0%	64,3%	23,7	0,11	99,23
472,00	0,12	0,90	4,02	303,1%	20,67	16,20	115,3	22,3	85,9%	75,0%	64,4%	23,6	0,12	99,14
473,00	0,08	0,90	4,02	304,1%	20,67	16,21	115,0	22,2	85,9%	75,1%	64,4%	23,7	0,08	99,46
474,00	0,08	0,90	4,02	303,5%	20,67	16,20	115,0	22,3	85,9%	75,1%	64,5%	23,7	0,08	99,46
475,00	0,09	0,90	4,01	304,7%	20,67	16,22	115,0	22,2	85,8%	75,0%	64,4%	23,7	0,09	99,37
476,00	0,08	0,90	4,02	303,8%	20,67	16,21	114,8	22,3	85,9%	75,1%	64,5%	23,7	0,08	99,46
477,00	0,08	0,90	4,01	304,5%	20,67	16,21	114,7	22,2	85,9%	75,1%	64,5%	23,7	0,08	99,46
478,00	0,03	0,88	4,00	306,6%	20,68	16,23	114,4	22,2	86,0%	75,1%	64,6%	23,9	0,03	99,77
479,00	0,03	0,88	4,01	306,3%	20,67	16,23	114,3	22,2	86,1%	75,1%	64,7%	23,8	0,03	99,77
480,00	0,03	0,87	4,00	307,6%	20,68	16,24	114,0	22,2	86,2%	75,2%	64,8%	23,9	0,03	99,78
481,00	0,03	0,87	3,99	308,8%	20,68	16,25	114,0	22,2	86,2%	75,1%	64,8%	24,0	0,03	99,78
482,00	0,03	0,87	3,99	309,2%	20,68	16,26	113,8	22,2	86,3%	75,1%	64,8%	24,0	0,03	99,78
483,00	0,03	0,86	4,00	308,9%	20,68	16,25	113,7	22,2	86,3%	75,2%	64,9%	24,0	0,03	99,78
484,00	0,03	0,86	4,00	308,4%	20,68	16,24	113,8	22,2	86,3%	75,2%	64,9%	24,0	0,03	99,78
485,00	0,03	0,86	3,99	309,5%	20,68	16,26	113,4	22,2	86,4%	75,2%	65,0%	24,0	0,03	99,81
486,00	0,03	0,86	4,00	308,7%	20,68	16,25	113,2	22,2	86,4%	75,3%	65,0%	24,0	0,03	99,78
487,00	0,03	0,86	4,00	309,2%	20,68	16,25	113,1	22,2	86,4%	75,3%	65,1%	24,0	0,03	99,78
488,00	0,03	0,86	4,01	307,8%	20,68	16,23	113,0	22,2	86,5%	75,4%	#DIV/0!	23,9	0,03	99,78
489,00	0,03	0,86	3,99	309,4%	20,68	16,25	112,9	22,2	86,4%	75,3%	#DIV/0!	24,0	0,03	99,78
490,00	0,03	0,86	4,02	306,9%	20,68	16,22	112,9	22,2	86,4%	75,4%	65,2%	23,9	0,03	99,78
491,00	0,00	0,86	4,01	308,1%	20,68	16,24	112,5	22,2	86,5%	75,4%	65,2%	24,0	0,00	100,00

Date: 2020-02-03 Manufacturer: US STOUT Model: TR007
 Project #: P-1130 Run: 1 Tech: SP Reviewer: SP
 PI 20221 SP

- loading 11.5 LBS START FINE (1 min (on))
- close Door immediately
- At 3.5 LBS insert load
- open Fan High immediately
- close Door immediately
- At 6 LBS stop pump and Blower
- At 400 LBS insert load
- At 2 min close Door
- At 560°F (Flue) close secondary (Max) and close air primary (1/2)
- At 15 min close air primary completely
- At 24.5 LBS open Fan (low)

TEST LOAD CONFIGURATION

Item	Unit	Value	Unit	Value
02	lb	1	lb	1
883	lb	183	lb	183
883	lb	383	lb	383
883	lb	583	lb	583
883	lb	783	lb	783
883	lb	983	lb	983
883	lb	1183	lb	1183
883	lb	1383	lb	1383
883	lb	1583	lb	1583
883	lb	1783	lb	1783
883	lb	1983	lb	1983
883	lb	2183	lb	2183
883	lb	2383	lb	2383
883	lb	2583	lb	2583
883	lb	2783	lb	2783
883	lb	2983	lb	2983
883	lb	3183	lb	3183
883	lb	3383	lb	3383
883	lb	3583	lb	3583
883	lb	3783	lb	3783
883	lb	3983	lb	3983
883	lb	4183	lb	4183
883	lb	4383	lb	4383
883	lb	4583	lb	4583
883	lb	4783	lb	4783
883	lb	4983	lb	4983
883	lb	5183	lb	5183
883	lb	5383	lb	5383
883	lb	5583	lb	5583
883	lb	5783	lb	5783
883	lb	5983	lb	5983
883	lb	6183	lb	6183
883	lb	6383	lb	6383
883	lb	6583	lb	6583
883	lb	6783	lb	6783
883	lb	6983	lb	6983
883	lb	7183	lb	7183
883	lb	7383	lb	7383
883	lb	7583	lb	7583
883	lb	7783	lb	7783
883	lb	7983	lb	7983
883	lb	8183	lb	8183
883	lb	8383	lb	8383
883	lb	8583	lb	8583
883	lb	8783	lb	8783
883	lb	8983	lb	8983
883	lb	9183	lb	9183
883	lb	9383	lb	9383
883	lb	9583	lb	9583
883	lb	9783	lb	9783
883	lb	9983	lb	9983

PRE / POST CHECKS

Date: 2020-02-03 Manufacturer: U.S. SLC Model: TR 002
 Project #: PI 20221 Run: 1 Tech: MM Reviewer: JJD

Moisture Meter Calibration Check:

Equipment #	Time	12%	22%
EM-191	7:10	ok	ok

Pre-Test

Post-Test

Facility Conditions:

Air Velocity from less than 2 feet

0 (max50 Fpm)	0 (max50 Fpm)
---------------	---------------

Smoke Capture Check (Tunnel velocity).....

ok	NA
----	----

Picture.....

4 sides ok	ok
---------------	----

Wood Heater Conditions:

Date Wood Heater Stack Cleaned.....

2020-02-03

Date Dilution Tunnel Cleaned.....

2020-02-03

Induced Draft Check (max 0.005 H2O).....

ok

Traverse before ignition.....

ok

Temperature System:

Ambient (65°-90°F).....

ok	°F
----	----

Proportional Checks:

Thermocouple check.....

ok

Pitot Clean.....

ok

Pitot verification.....

ok

Sampling Train ID Numbers:

	High fire test			Medium low fire test		
	1 st hour	Train 1	Train 2	1 st hour	Train 1	Train 2
Probe.....	13	37	41	11	16	50
Filter Front.....	664	666	681	684	686	688
Filter Back.....	665	680	682	685	687	689
Filter Thermocouple.....	11	11	12	11	11	12
Filter (80°F ≥ <90°F).....	ok	ok	ok	ok	ok	ok

SAMPLING EQUIPMENT CHECK OUT

Date: 2020-02-03 Manufacturer: VS J love Model: TR 007
 Project #: PT 2021 Run: 1 Tech: M Reviewer: [Signature]

Leakage Checks Tunnel Samplers

High fire test	System 1 st hour		System 1		System 2	
Unplugged Flow Rate = .25cfm	Pre-Test ASTM (-15) CSA B415 (-5)	Post-Test (max test)	Pre-Test ASTM (-15) CSA B415 (-5)	Post-Test (Max test)	Pre-Test ASTM (-15) CSA B415 (-5)	Post-Test (Max test)
Vacuum (inches Hg.)	-15	-15	-15	-15	-15	-15
Final 1minute DGM (Liter)	138700 39	139366 58	138700 55	139366 75	080466 50	081038 99
Initial 1minute DGM (Liter)	138700 36	139366 45	138700 50	139366 70	080466 35	081038 89
Change © (Liter)	003	010	005	005	015	010
Allowable leakage .04 x Sample rate or 0.28Lpm CSA B415 (0.56)						
Check OK	OK	OK	OK	OK	OK	OK

Low medium fire test	System 1 st hour		System 1		System 2	
Unplugged Flow Rate = .25cfm	Pre-Test ASTM (-15) CSA B415 (-5)	Post-Test (max test)	Pre-Test ASTM (-15) CSA B415 (-5)	Post-Test (Max test)	Pre-Test ASTM (-15) CSA B415 (-5)	Post-Test (Max test)
Vacuum (inches Hg.)	-15	-15	-15	-15	-15	-15
Final 1minute DGM (Liter)	139368 69	141874 20	139368 18	141874 36	081030 10	083138 30
Initial 1minute DGM (Liter)	139368 50	141874 10	139368 98	141874 24	081030 90	083138 10
Change © (Liter)	019	010	020	012	020	020
Allowable leakage .04 x Sample rate or 0.28Lpm CSA B415 (0.56)						
Check OK	OK	OK	OK	OK	OK	OK



SAMPLING EQUIPMENT CHECK OUT

Date: 2020-02-03 Manufacturer: V.S. SLOVE Model: 7R007
 Project #: PI 2024 Run: 1 Tech: MM Reviewer: [Signature]

Leakage Checks Flue Gas Sampler

Plugged Probe	Pre-Test	Post Test
Vacuum (inches Hg.)	-5	-5
Rotameter Reading (mml/min.)	0	0
Flow Rate (lpm)	1.5	1.5
Allowable (.02 x Sample Rate)	30	30
Check OK	ok	ok

Leakage Checks Pitot

Plugged Probe	Pre Test 3 H2o static	Pre Test 0.4-0.5 H2o velocity	Post Test 3 H2o Static	Post Test 0.4-0.5 H2o velocity
Vacuum (inches Hg.)	3	.4	3	.5
Check OK (no change after 15 sec.)	ok	ok	ok	ok

Date: 2020-02-03 Manufacturer: V5 5166 Model: TR 607
 Project #: pt 2021 Run: 1 Tech: MM Reviewer: [Signature]

Scale Type	Audit		Measured Weight
	Equipment #	Weight	
Platform	EM-090	4.4 lbs, Class F	4.4 lbs
Wood	EM-090	4.4 lbs, Class F	4.4 lbs
Analytical	EM-128	100 mg, Class S	100 mg
Analytical	EM-129	200 g, Class S	200 g

LIMITS OF WEIGHT RANGES

ANALYTICAL SCALE: 50%-150% of dry filter weight, ± 0.1 mg
PLATFORM SCALE: 20%-80% of ideal test load weight, ± 0.1 lbs or 1%
WOOD SCALE: 20%-80% of ideal test load weight, ± 0.01 lbs or 1%

Date: 2020-03-02 Manufacturer: VSI 5161E Model: 7A 007
 Project #: PT 2022 Run: 1 Tech: MP Reviewer: DO

FOR TUNNELS < 12 in

 Barometric pressure (P_{bar}) 1024 (KPa.) Static pressure (P_q) 0.17 (inches w.c.)
 Inside diameter: Port A _____ Port B _____
 Tunnel cross sectional area: .1963Ft²
 Pitot tube type: Standard

Traverse Point	Position (inches)			Velocity Head Δ_p (inches H ₂ O)	Tunnel Temperature (°F)
	6 po	7 po	8 po		
A- Centroid	3.00	3.50	4	0.080	77.81
B - Centroid	3.00	3.50	4	0.081	77.99
A-1	0.40	0.50	0.50	0.066	77.83
A-2	1.50	1.75	2	0.079	77.83
A-3	4.50	5.25	6	0.072	77.91
A-4	5.60	6.5	7.5	0.066	77.91
B-1	0.40	0.50	0.50	0.067	78.15
B-2	1.50	1.75	2	0.079	78.01
B-3	4.50	5.25	6	0.076	77.71
B-4	5.60	6.5	7.5	0.067	77.71
AVERAGE					

$$v_s = K_p C_p (\sqrt{\Delta p})_{avg} \sqrt{\frac{(T_s)_{avg}}{P_s M_s}}$$

Where,

 C_p = pitot tube coefficient, dimension less = 0.99 for standard pitot.

 Δ_p = manometer reading (inches H₂O)

 T_s = average absolute dilution tunnel temperature (°F + 460)

 P_s = absolute dilution tunnel gas pressure or $P_{bar} + P_{qg}$
 P_q = static pressure in. H₂O
 { 13.6 }

 M_s = 28.56, wet molecular weight of stack gas (alternatively, it may be measured)

 K_p = 85.49 pitot tube constant, (conversion factor for English units)

 $(\Delta_p)_{avg}$ = average of the square roots of the velocity heads (Δ_p) measured at each traverse point.

Date: 2020-02-03 Manufacturer: VS STOVE Model: 1R007
 Project #: PT 2021 Run: 2 Tech: MM Reviewer: SP

Pre-Test (Adjust and Record)

	ZERO		SPAN		CAL. (Record Only)	
	Actual	Should Be	Actual	Should Be	Actual	Should Be
CO	0	0	2990	3000	1008	1000
Tolerance CO		+/- 0.02	0010	+/- 0.15	008	+/- 0.05
CO ₂	0	0	1799	1800	976	1000
Tolerance CO ₂		+/- 0.02	001	+/- 0.5	004	+/- 0.5
O ₂ informative CSA B415 calculated value	na	na	na	na	na	na
	Actual	Should Be	Actual	Should Be	Actual	Should Be

Post Test (Record Only)

	Zero	Span	Cal.	Zero Drift	Limit	Span Drift	Limit	Cal. Drift	Limit	OK?	Not OK*
CO	0	2985	1005	0	0.02	0000	0.15	0003	0.05	✓	
CO ₂	0	1795	978	0	0.02	0000	0.5	0000	0.5	✓	

TEST DATA LOG

Date: 2020-02-03 Manufacturer: US 56VE Model: TA 007
 Project #: PT 2021 Run: 1 Tech: mm Reviewer: [Signature]

RAW DRY GAS METER READINGS

		System 1	System 2	Blank
High fire test	Final (Liter)	139365, 30	081027, 47	763, 11
	Initial (Liter)	138701, 85	080467, 56	733, 15
Low medium fire test	Final (Liter)	141871, 94	083136, 00	874, 92
	Initial (Liter)	139374, 00 139670	081031, 58	763, 11

AMBIENT CONDITIONS

	Before	After
Barometer (kPa):	1024	1020
Dry Bulb (F):	72.1	71.6
Humidity (%):	23.9	24.6

FUEL DATA

Date: 2020-02-03 Manufacturer: US SOURCE Model: TR007
 Project #: P-1430 SP Run: 1 Tech: SP Reviewer: [Signature]
P1-20221

FUEL DESCRIPTION:

Type of wood:

KINDLING AND START-UP LOAD

Piece Size		Weight	Meter Moisture Content (% dry)			
x	x 20 in.	6.500 lbs.	20	20	20	
x	x 20 in.	4.999 lbs.	9	9	9	
x	x 20 in. SP	lbs.				
x	x in.	lbs.				
x	x 20 in. SP	lbs.				
x	x 20 in. SP	lbs.				
x	x in.	lbs.				
x	x in.	lbs.				
x	x in.	lbs.				

HIGHFIRE TEST LOAD

Piece Size		Weight	Meter Moisture Content (% dry)			
3.5	x 3.5 x 20 in.	5.596 lbs.	26.7	22.2	27.2	
3	x 2 x 20 in.	5.296 lbs.	19.0	19.3	20.0	
4	x 4 x 20 in.	5.534 lbs.	26.8	23.3	26.0	
x	x in.	lbs.				
2.5	x 2.5 x 20 in.	4.966 lbs.	23.8	22.0	21.7	
3	x 3 x 20 in.	5.026 lbs.	20.1	18.1	20.7	
x	x in.	lbs.				
x	x in.	lbs.				
x	x in.	lbs.				

FUEL DATA

Date: 02-03-20 Manufacturer: US SCORP Model: T6007
 Project #: P1-20221 Run: 1 Tech: SP Reviewer: DP

FUEL DESCRIPTION:

Type of wood:

LOW OR MEDIUM TEST LOAD

Piece Size	Weight	Meter Moisture Content (% dry)		
3.5 x 2.5 x 20 in.	6.508 lbs.	24.4	21.7	22.0
3 x 3 x 20 in.	6.686 lbs.	29.5	19.2	23.0
3 x 2.5 x 20 in.	6.362 lbs.	26.7	22.8	27.1
x x in.	lbs.			
3.5 x 3.5 x 20 in.	7.556 lbs.	21.9	21.3	22.1
3 x 3 x 20 in.	4.534 lbs.	26.0	22.6	27.0
x x in.	lbs.			
x x in.	lbs.			
x x in.	lbs.			
x x in.	lbs.			
x x in.	lbs.			
x x in.	lbs.			
x x in.	lbs.			
x x in.	lbs.			

DILUTION TUNNEL PARTICULATE SAMPLER DATA

Date: 2020-01-30 Project #: PI 20221 Run: 1 Manufacturer: US Stove Model: TR007

Tech: MM Reviewer: DL

HIGHFIRE TEST FILTERS									
SYSTEM 1 - 1 st hour					SYSTEM 1				
Pre-test Weight Record	Probe & Housing Number	Front Filter Number	Back Filter Number	gaskets	Probe & Housing Number	Front Filter Number	Back Filter Number	gaskets	BlancK
	13	664	665	1	37	666	680	12	683
2020-01-30 17:00	951466	01781		353500	1079736	01795		36 0123	01286
2020-01-30 8:00	951465	01782		353501	1079737	01795		36 0124	01286

HIGHFIRE TEST FILTERS									
SYSTEM 1 - 1 st hour					SYSTEM 1				
Post-test Weight Record	Probe & Housing Number	Front Filter Number	Back Filter Number	gaskets	Probe & Housing Number	Front Filter Number	Back Filter Number	gaskets	BlancK
	13	664	665	1	37	666	680	12	683
2020-01-30 14:00	951489	01816		353527	1079742	01808		36 0151	01289
2020-01-30 8:00	951466	01806		353502	1079738	01802		36 0125	01287
2020-01-30 8:00	951466	01806		353502	1079738	01802		36 1025	01287

Date: 2020-01-30 Manufacturer: US Steel Model: TA007

Project #: PJ 2022 Run: 1 Tech: MR Reviewer: DO

HIGH FIRE TEST FILTERS				
SYSTEM 2				
Pre-test Weight Record	Probe & Housing Number	Front Filter Number	Back Filter Number	gaskets
	41	681	682	33
2020-01-30 17:00	110 3659	01760		33 8371
2020-01-03 8:00	110 3658	01759		33 8372

HIGH FIRE TEST FILTERS				
SYSTEM 2				
Post-test Weight Record	Probe & Housing Number	Front Filter Number	Back Filter Number	gaskets
	41	681	682	33
2020-01-03 14:00	110 3667	01797		33 8362
2020-01-10 8:00	110 3660	01789		33 8322
2020-01-11 8:00	110 3660	01789		33 8322

DILUTION TUNNEL PARTICULATE SAMPLER DATA

Date: 2020-01-30 Project #: PI 20221 Run: 1 Manufacturer: US stove Model: TR007

Tech: MM Reviewer: SD

MEDIUM / LOW FIRE TEST FILTERS

Pre-test Weight Record		SYSTEM 1 - 1 st hour		SYSTEM 1		SYSTEM 1		SYSTEM 1		
Date	Time	Probe & Housing Number	Front Filter Number	Back Filter Number	gaskets	Probe & Housing Number	Front Filter Number	Back Filter Number	gaskets	Blank
2020-01-30	17:00	937192	01765	353336	1087531	16	686	687	35	690
2020-02-03	11:00	937193	01766	353337	1087532		01792		348947	01265
							01792		348948	01264

MEDIUM / LOW FIRE TEST FILTERS

Post-test Weight Record		SYSTEM 1 - 1 st hour		SYSTEM 1		SYSTEM 1		SYSTEM 1		
Date	Time	Probe & Housing Number	Front Filter Number	Back Filter Number	gaskets	Probe & Housing Number	Front Filter Number	Back Filter Number	gaskets	Blank
2020-02-03	20:00	937206	01792	353345	1087537	16	686	687	35	690
2020-02-10	8:00	937196	01783	353339	1087535		01808		348954	01266
2020-02-11	8:00	937196	01782	353338	1087535		01805		348947	01266
							01804		348947	01266



DILUTION TUNNEL PARTICULATE SAMPLER DATA

Date: 2020-01-30 Manufacturer: US stove Model: TR007

Project #: PT 20221 Run: _____ Tech: MM Reviewer: SD

MEDIUM / LOW FIRE TEST FILTERS					
SYSTEM 2					
Pre-test Weight Record	Probe & Housing Number	Front Filter Number	Back Filter Number	gaskets	
Date	Time	50	688	689	41
2020-01-30	17:00	107 6473	0 1796		35 0334
2020-02-03	11:00	107 6474	0 1795		35 0333

SYSTEM 2					
Post-test Weight Record	Probe & Housing Number	Front Filter Number	Back Filter Number	gaskets	
Date	Time	50	688	689	41
2020-02-03	20:00	107 6483	0 1828		35 0360
2020-02-10	8:00	107 6478	0 1819		35 0334
2020-02-11	8:00	107 6477	0 1819		35 0334

Paramètres

Tous les facteurs de corrections et autres paramètres qui peuvent être modifiés par l'utilisateur du fichier sont regroupés ici.

Code verrouillage:

USS

Description du test

Test standard	EPA
Run #	2
Date	04-02-2020
Technicien	M.M
Project #	PI 20221

Description de l'unité

Manufacturier	US STOVE	
Modèle	TR 007	
Combustion system	Cat	
Appliance type	WOOD STOVE	
Firebox volume	2,68	cu ft.
Appliance weight empty	n.a	lbs
Fan (no, Standard, Option)	option	

Paramètres du test

Logging time	1	min
Manufacturer's rated heat output	n.a	BTU/h Donnée fournie par le manufacturier
Targeted category	1	
Targeted output	n.a	BTU/h
Cp steel	n.a	BTU/lb-°F

Échantillonnage

Blank sampling rate	0,20	cuft/min
Internal probe diameter	0,18	in.
Calibration Factor (DGM #1):	0,995	Dimensionless
Equipment number (DGM #1):	EM 178	
Calibration Factor (DGM #2):	0,990	Dimensionless
Equipment number (DGM #2):	EM 179	
Calibration Factor (DGM #3):	0,997	Dimensionless
Equipment number (DGM #3):	EM 070	

Tunnel

Targeted tunnel flow rate	300	scfm
Tunnel diameter	8	in.
Molecular weight	29	May be assumed to be 28,78 (EPA) Si B-415 = 29
Pitot tube type	Standard	
Pitot tube coefficient	0,99	Dimensionless

Project nu.	PI 20221
Date	04-02-2020
Technicien	m.m

Fuel data

Fuel type	Cord
Fuel specie	Oak
HHV	20207,0 kJ/kg
%C	49,5
%H	6,6
%O	43,7
%Ash	0,2
HHV	8689,9 Btu/lb
LHV	7600,4 Btu/lb

Default Fuel Values		
	D. Fir	Oak/Maple
HHV	19 810	20 207
%C	48,73	49,5
%H	6,87	6,62
%O	43,9	43,7
%Ash	0,5	0,2
HHV (Btu/lb)	8519	8690
LHV (Btu/lb)	7451	7600

Adjunct to ASTM E XXXX Wood Heater Cordwood Test Method - May 10, 2017 Version

Cordwood Fuel Load Calculators - 10 lb/ft³ Nominal Load Density

Core 45-65% of Total Load Weight, Remainder 35-55% of Total Load Weight

Values to be input manually

For All Usable Firebox Volumes - High Fire Test Only						
Nominal Required Load Density (wet basis)	10	lb/ft ³				
Usable Firebox Volume	2,68	ft ³				
Total Nom. Load Wt. Target	26,80	lb				
Total Load Wt. Allowable Range	25,50	to	28,10	lb		
Core Target Wt. Allowable Range	12,10	to	17,40	lb		
Remainder Load Wt. Allowable Range	9,40	to	14,70	lb		
					Mid-Point	
Core Load Pc. Wt. Allowable Range	4,00	to	6,70	lb	5,35	
Remainder Load Pc. Wt. Allowable Range	2,70	to	14,70	lb	8,70	
		Pc. #				
Core Load Piece Wt. Actual	1	5,50	lb	In Range		
	2	5,35	lb	In Range		
	3	5,52	lb	In Range		
Core Load Total. Wt. Actual		16,36	lb	In Range		
		Pc. #				
Remainder Load Piece Wt.	1	4,93	lb	In Range		
(1 to 3 Pcs.)	2	5,16	lb	In Range		
	3		lb	NA		
Remainder Load Tot. Wt. Act		10,09	lb	In Range		
Total Load Wt. Actual		26,45	lb	In Range		
Core % of Total Wt.		62%		In Range	45-65%	
Remainder % of Total Wt.		38%		In Range	35-55%	
Actual Load % of Nominal Target		99%		In Range	95-105%	
Actual Fuel Load Density		9,9	lb/ft ³			
<u>Kindling and Start-up Fuel</u>						
Maximum Kindling Wt. (20% of Tot. Load Wt.)		5,29	lb			
Actual Kindling Wt.		4,93	lb	In Range	18,6%	
Maximum Start-up Fuel Wt. (30% of Tot. Load Wt.)		7,94	lb			
Actual Start-up Fuel Wt.		6,50	lb	In Range	24,6%	
Allowable Residual Start-up Fuel Wt. Range	2,6	to	5,3	lb	Mid-Point	
Actual Residual Start-up Fuel Wt.		3,6	lb	In Range	4,0	
Total Wt. All Fuel Added (wet basis)		37,88	lb			
<u>High Fire Test Run End Point Range</u>						
	Low		High		Mid-Point	
Based on Fuel Load Wt. (w/tares)	2,4	to	2,9	lb	2,6	
Actual Fuel Load Ending Wt.		2,4	lb	In Range		

Fuel Piece Moisture Reading (%-dry basis)							
	1	2	3	Ave.		Pc. Wt. Dry Basis	
	22,9	18,1	25,2	22,1	In Range	4,50	2,04
	26,3	21,8	24,8	24,3	In Range	4,30	1,95
	25,3	21,1	24,1	23,5	In Range	4,47	2,03
	23	21,7	22,2	22,3	In Range	4,03	1,83
	23,2	21,9	22,7	22,6	In Range	4,21	1,91
				NA	NA	NA	NA
Total Load Ave. MC (%-dry basis)				23,0	In Range		
Total Load Ave. MC % (wet basis)				18,7			
Total Test Load Weight (dry basis)						21,51	9,76
<u>Kindling Moisture (%-dry basis)</u>							
	9	9	9	9,0	In Range	4,52	2,05
<u>Start-up Fuel Moisture Readings (%-dry basis)</u>							
	20	20	20	20,0	In Range	5,42	2,46
<u>Total Wt. All Fuel Added (dry basis)</u>							
						31,45	14,27
<u>Total Wt. All Fuel Burned (dry basis)</u>							
						25,5	11,5

Load pieces Length in. 20 in.

Adjunct to ASTM E XXXX Wood Heater Cordwood Test Method - May 10, 2017 Version

Cordwood Fuel Load Calculators - 12 lb/ft³ Nominal Load Density
 Core 45-65% of Total Load Weight, Remainder 35-55% of Total Load Weight

Values to be input manually

THIS DOCUMENT IS NOT AN ASTM STANDARD; IT IS UNDER CONSIDERATION WITHIN AN ASTM TECHNICAL COMMITTEE BUT HAS NOT RECEIVED ALL APPROVALS REQUIRED TO BECOME AN ASTM STANDARD. IT SHALL NOT BE REPRODUCED OR CIRCULATED OR QUOTED, IN WHOLE OR IN PART, OUTSIDE OF ASTM COMMITTEE ACTIVITIES EXCEPT WITH THE APPROVAL OF THE CHAIRMAN OF THE COMMITTEE HAVING JURISDICTION AND THE PRESIDENT OF THE SOCIETY. COPYRIGHT ASTM, 100 BARR HARBOR DRIVE, WEST CONSHOHOCKEN, PA 19380. ALL RIGHTS RESERVED.

For Usable Firebox Volumes up to 3.0 ft ³ - Low and Medium Fire				
Nominal Required Load Density (wet basis)	12	lb/ft ³		
Usable Firebox Volume	2.68	ft ³		
Total Nom. Load Wt. Target	32.16	lb		
Total Load Wt. Allowable Range	30.55	to 33.77	lb	
Core Target Wt. Allowable Range	14.472	to 20.90	lb	
Remainder Load Wt. Allowable Range	11.26	to 17.69	lb	
				Mid-Point
Core Load Fuel Pc. Wt. Allowable Range	4.82	to 8.04	lb	6.43
Remainder Load Pc. Wt. Allowable Range	3.22	to 9.65	lb	6.43
	Pc. #			
Core Load Piece Wt. Actual	1	6.49	lb	In Range
	2	6.58	lb	In Range
	3	6.64	lb	In Range
Core Load Total. Wt. Actual		19.71	lb	In Range
	Pc. #			
Remainder Load Piece Wt.	1	7.51	lb	In Range
(2 or 3 Pcs.)	2	4.65	lb	In Range
	3		lb	NA
Remainder Load Piece Weight Ratio - Small/Large		62%		In Range ≤ 67%
Remainder Load Tot. Wt. Act		12.16	lb	In Range
Total Load Wt. Actual		31.87	lb	In Range
Core % of Total Wt.		62%		In Range 45-65%
Remainder % of Total Wt.		38%		In Range 35-55%
Actual Load % of Nominal Target		99%		In Range 95-105%
Actual Fuel Load Density		11.9	lb/ft ³	
Allowable Charcoal Bed Wt. Range (lb)	3.2	to 6.3	lb	Mid-Point
Actual Charcoal Bed Wt.		4.1	lb	In Range 4.8
Actual Fuel Load Ending Wt.		0.0	lb	Valid Test ≥ 90%
Total Wt. of Fuel Burned During Test Run lb.		31.9	lb	
Load pieces Length in.		20	in.	

Fuel Piece Moisture Reading (%-dry basis)								
1	2	3	Ave.			Pc. Wt. Dry Basis		
24.1	22.2	24	23.4	In Range	5.25	lb	2.38	kg
27.5	25.4	27.8	26.9	In Range	5.19	lb	2.35	kg
27.5	23.1	27.8	26.1	In Range	5.26	lb	2.39	kg
25.6	21	25.7	24.1	In Range	6.05	lb	2.75	kg
23	22.4	25.6	23.7	In Range	3.76	lb	1.70	kg
			NA	NA	NA	lb	NA	kg
Total Load Ave. MC % (dry basis)			24.9	In Range				
Total Load Ave. MC % (wet basis)			19.9					
Total Test Load Weight (dry basis)					25.52	lb	11.57	kg
Total Fuel Weight Burned During Test Run (dry basis)					25.5	lb	11.57	kg

For Usable Firebox Volumes above 3.0 ft ³ - Low and Medium Fire				
Nominal Required Load Density (wet basis)	12	lb/ft ³		
Usable Firebox Volume		ft ³		
Total Nom. Load Wt. Target	0	lb		
Total Load Wt. Allowable Range	0.00	to 0.00	lb	
Core Target Wt. Allowable Range	0.00	to 0.00	lb	
Remainder Load Wt. Allowable Range	0.00	to 0.00	lb	
				Mid-Point
Core Load Fuel Pc. Wt. Allowable Range	0.00	to 0.00	lb	0.00
Remainder Load Pc. Wt. Allowable Range	0.00	to 0.00	lb	0.00
	Pc. #			
Core Load Piece Wt. Actual	1		lb	In Range
	2		lb	In Range
	3		lb	In Range
Core Load Total. Wt. Actual		0.00	lb	In Range
	Pc. #			
Remainder Load Piece Wt.	1		lb	In Range
(3 or 4 Pcs.)	2		lb	In Range
	3		lb	In Range
	4		lb	NA
Remainder Load Piece Weight Ratio - Small/Large		#NOMBRE!		≤ 67%
Remainder Load Tot. Wt. Act		0.00	lb	In Range
Total Load Wt. Actual		0.00	lb	In Range
Core % of Total Wt.		#DIV/0!		#DIV/0! 45-65%
Remainder % of Total Wt.		#DIV/0!		#DIV/0! 35-55%
Actual Load % of Nominal Target		#DIV/0!		#DIV/0! 95-105%
Actual Fuel Load Density		#DIV/0!	lb/ft ³	
Allowable Charcoal Bed Wt. Range (lb)	0.1	to -0.1	lb	Mid-Point
Actual Charcoal Bed Wt.			lb	Out of Range 0.0
Actual Fuel Load Ending Wt.			lb	Valid Test ≥ 90%
Total Wt. of Fuel Burned During Test Run lb.		0.0	lb	

Fuel Piece Moisture Reading (%-dry basis)								
1	2	3	Ave.			Pc. Wt. Dry Basis		
			#DIV/0!	#DIV/0!	#DIV/0!	lb	#DIV/0!	kg
			#DIV/0!	#DIV/0!	#DIV/0!	lb	#DIV/0!	kg
			#DIV/0!	#DIV/0!	#DIV/0!	lb	#DIV/0!	kg
			NA	NA	NA	lb	NA	kg
Total Load Ave. MC % (dry basis)			#DIV/0!	#DIV/0!				
Total Load Ave. MC % (wet basis)			#DIV/0!					
Total Test Load Weight (dry basis)					#DIV/0!	lb	#DIV/0!	kg
Total Fuel Weight Burned During Test Run (dry basis)					#DIV/0!	lb	#DIV/0!	kg

	Start	End
Barometer (kPa):	99,8	100,4
Barometer (in.Hg):	29,470929	29,64810884
Dry Bulb (F):	72,2	73,5
Humidity (%):	28,1	27,4
Air velocity (ft/min)	0	0

High fire test						
DGM #1	Final:	#VALEUR!	cuft	Final:	na	Liter
	Initial:	#VALEUR!	cuft	Initial:	na	Liter
DGM #2	Final:	#VALEUR!	cuft	Final:	na	Liter
	Initial:	#VALEUR!	cuft	Initial:	na	Liter
DGM room				Final:	na	cuft
				Initial:	na	cuft

min or med burnrate						
DGM #1	Final:	5092,618	cuft	Final:	144206,890	Liter
	Initial:	5010,410	cuft	Initial:	141879,000	Liter
DGM #2	Final:	3005,311	cuft	Final:	85100,940	Liter
	Initial:	2936,157	cuft	Initial:	83142,700	Liter
DGM room				Final:	978,710	cuft
				Initial:	874,920	cuft

Numéro de la ligne dans "Raw data" à partir duquel les données du test commence	259
Numéro de la ligne dans "Raw data" à partir duquel les données du highfire test commence	
Numéro de la ligne dans "Raw data" à partir duquel les données du min ou medium fire test commence	259

Autres données à rentrer: dans preload data, load data, traverse et filter set weight

Project nu.	PI 20221
Date	04-02-2020
Technicien	M.M

Filter set weight Low/ medium fire

	System 1 (g) 1st hour			System 1 (g)			System 2 (g)			Ambient blank (g)	Date	Heure	
	probe	front / Back	gasket	probe	front / Back	gasket	probe	front / Back	gasket	Filter			
Number	4	01 02	16	6	03 04	18	35	05 06	23	7			
Before (1)													
Before (2)													
Before (3)													
Before (4)													
Before (5)	61,4000	0,1770	33,8873	61,3743	0,1779	34,1706	109,2834	0,1800	34,2985	0,0888	2020-02-03	17:00	
Before (6)	61,4000	0,1771	33,8874	61,3744	0,1779	34,1707	109,2835	0,1799	34,2986	0,0888	2020-02-04	09:00	
After (1)	61,4009	0,1786	33,8893	61,3754	0,1791	34,1727	109,2846	0,1824	34,3003	0,0897	2020-02-05	09:00	
After (2)	61,4003	0,1786	33,8875	61,3746	0,1787	34,1709	109,2838	0,1821	34,2989	0,0890	2020-02-10	08:00	
After (3)	61,4003	0,1786	33,8875	61,3746	0,1787	34,1709	109,2838	0,1821	34,2989	0,0889	2020-02-11	08:00	
After (4)													
After (5)													
After (6)	61,4003	0,1786	33,8875	61,3746	0,1787	34,1709	109,2838	0,1821	34,2989	0,0889	2020-02-11	08:00	
Difference	0,0003	0,0015	0,0000	0,0001	0,0002	0,0008	0,0000	0,0002	0,0003	0,0022	0,0000	0,0003	0,0001
Total (mg)		1,9			3,1			2,8				0,1	
Total ajusté (mg)		1,80			3,00			2,70					

Project nu.	PI 20221
Date	04-02-2020
Technicien	M.M

* Elapsed Time min	* Raw data row	* Weight		* CO		* CO ₂		*1 Flue	*2 Room	*3 Tunnel	*4 Unit	*5 Unit	*6 Unit	*7 Unit	*8 Unit	Mass flow 1	DGM 1	DGM 1	Filter 1	Mass flow 2	DGM 2	DGM 2	Filter 2
		Remaining	CO	CO ₂	Flue	Room	Tunnel	Unit	Unit	Unit	Unit	Unit	Unit	Unit	Unit	Reading	Inlet T	Outlet T	Temp	Reading	Inlet T	Outlet T	Temp
		lbs	%	%	°F	°F	°F	Top	Back	R.Side	L.Side	Bottom	cuft/min	oF	oF	oF	oF	oF	oF	oF	oF	oF	oF
0,00	259,00	31,8	0,6	3,5	299,0	72,5	113,5	356,2	403,3	501,8	478,9	335,3	0,17	75,37	75,54	86,57	0,15	75,76	75,36	84,87			
1,0	260,0	31,5	0,5	2,7	366,0	72,5	107,1	354,5	404,4	496,8	476,4	336,5	0,17	75,37	75,51	87,47	0,15	75,73	75,36	86,96			
2,0	261,0	31,2	0,7	4,4	393,5	72,3	100,3	357,4	403,7	489,6	472,0	337,4	0,17	75,39	75,50	87,32	0,15	75,72	75,34	87,18			
3,0	262,0	30,9	0,7	7,3	521,4	72,4	107,7	390,1	401,4	481,3	466,2	338,1	0,17	75,41	75,52	87,36	0,15	75,72	75,37	86,82			
4,0	263,0	30,6	0,4	11,0	598,1	72,6	113,7	445,5	398,0	473,3	460,4	338,7	0,17	75,43	75,52	87,57	0,15	75,70	75,37	86,41			
5,0	264,0	30,3	0,3	12,5	603,6	72,5	112,8	498,5	393,8	466,3	455,0	339,2	0,17	75,46	75,51	87,73	0,15	75,71	75,38	86,05			
6,0	265,0	30,1	0,3	12,5	602,8	72,5	113,1	390,0	460,4	450,6	339,5	0,17	75,53	75,53	87,67	0,15	75,77	75,37	85,73				
7,0	266,0	29,8	0,4	13,1	606,0	72,6	112,8	576,8	386,2	455,6	447,0	339,6	0,17	75,69	75,56	87,70	0,15	75,90	75,43	85,52			
8,0	267,0	29,5	0,3	13,4	592,5	72,5	111,0	610,1	382,2	451,7	444,2	339,6	0,17	75,80	75,59	87,62	0,15	75,95	75,45	85,30			
9,0	268,0	29,3	0,4	13,2	567,1	72,5	108,7	630,6	378,3	448,7	442,3	339,4	0,17	75,91	75,62	87,40	0,15	76,03	75,49	85,08			
10,0	269,0	29,1	0,5	12,0	563,9	72,7	108,7	646,5	374,5	446,2	440,7	339,0	0,17	75,99	75,66	87,19	0,15	76,10	75,51	84,91			
11,0	270,0	28,8	0,5	12,3	567,5	72,6	108,3	660,9	370,6	444,6	439,6	338,4	0,17	76,14	75,69	87,02	0,15	76,21	75,55	84,70			
12,0	271,0	28,6	0,4	12,8	572,2	72,8	109,5	671,2	366,9	443,3	438,6	337,8	0,17	76,23	75,72	86,85	0,15	76,30	75,59	84,54			
13,0	272,0	28,3	0,4	13,4	567,4	72,7	107,9	681,0	363,2	442,9	438,0	337,2	0,17	76,33	75,75	86,72	0,15	76,35	75,62	84,37			
14,0	273,0	28,1	0,4	14,3	541,6	72,8	105,6	687,2	359,7	443,1	438,3	336,5	0,17	76,39	75,79	86,46	0,15	76,42	75,63	84,16			
15,0	274,0	27,9	0,7	12,3	571,9	72,9	103,8	690,8	356,4	443,0	437,7	335,7	0,17	76,50	75,79	86,16	0,15	76,49	75,65	83,99			
16,0	275,0	27,7	0,9	11,7	514,1	73,8	103,1	690,1	353,1	444,0	439,1	334,8	0,17	76,53	75,80	85,95	0,15	76,54	75,69	83,84			
17,0	276,0	27,5	0,8	11,5	513,2	72,9	103,4	689,5	349,9	444,4	438,5	334,0	0,17	76,50	75,82	85,79	0,15	76,56	75,74	83,74			
18,0	277,0	27,3	0,7	12,0	515,9	73,0	103,2	689,5	347,0	444,8	439,7	332,9	0,17	76,51	75,85	85,58	0,15	76,59	75,75	83,58			
19,0	278,0	27,1	0,6	12,4	518,9	73,0	102,8	691,8	344,0	445,3	439,8	332,0	0,17	76,64	75,91	85,45	0,15	76,68	75,79	83,41			
20,0	279,0	26,9	0,6	12,6	521,5	73,2	103,8	692,6	341,2	445,9	440,2	330,9	0,17	76,65	75,92	85,31	0,15	76,73	75,81	83,30			
21,0	280,0	26,7	0,5	13,0	523,8	73,1	103,9	695,1	338,2	446,6	440,6	329,9	0,17	76,62	75,93	85,13	0,15	76,74	75,83	83,18			
22,0	281,0	26,5	0,4	13,2	525,0	73,0	104,4	697,3	335,3	447,6	441,0	328,7	0,17	76,67	75,97	85,00	0,15	76,80	75,87	83,00			
23,0	282,0	26,2	0,4	13,3	526,9	72,9	104,3	698,2	332,5	448,6	441,6	327,6	0,17	76,64	75,97	84,90	0,15	76,80	75,90	82,89			
24,0	283,0	26,0	0,3	13,5	528,9	73,0	104,2	699,3	329,9	449,9	442,4	326,4	0,17	76,63	76,00	84,74	0,15	76,83	75,92	82,73			
25,0	284,0	25,8	0,3	13,7	530,5	73,0	104,8	699,3	327,4	451,2	443,4	325,2	0,17	76,65	76,02	84,60	0,15	76,88	75,96	82,59			
26,0	285,0	25,6	0,3	13,9	531,6	73,0	104,0	699,5	325,1	453,2	444,8	324,1	0,17	76,71	76,04	84,51	0,15	76,92	75,97	82,45			
27,0	286,0	25,4	0,4	14,2	538,7	73,0	104,3	701,1	323,0	456,1	446,4	322,9	0,17	76,79	76,09	84,44	0,15	76,98	76,01	82,31			
28,0	287,0	25,1	0,6	14,7	540,8	73,1	105,5	704,7	321,3	459,3	448,2	321,8	0,17	76,74	76,08	84,35	0,15	76,95	76,01	83,38			
29,0	288,0	24,9	0,7	14,4	539,3	73,1	105,2	707,3	320,0	462,3	450,0	320,6	0,17	76,76	76,10	84,30	0,15	76,97	76,04	85,96			
30,0	289,0	24,7	0,6	14,4	538,5	73,1	106,3	708,6	319,2	465,1	451,8	319,4	0,17	76,81	76,12	84,21	0,15	77,00	76,06	87,45			
31,0	290,0	24,5	0,6	14,2	538,1	73,0	105,4	718,7	318,7	467,7	453,7	318,2	0,17	76,94	76,15	84,16	0,15	77,08	76,09	87,41			
32,0	291,0	24,2	0,7	14,4	539,8	73,2	106,0	710,3	318,5	470,7	455,6	317,1	0,17	77,01	76,18	84,10	0,15	77,11	76,13	87,06			
33,0	292,0	24,0	0,7	14,5	542,4	73,2	105,8	712,6	318,6	473,5	457,6	315,9	0,17	77,06	76,20	84,06	0,15	77,18	76,15	86,69			
34,0	293,0	23,8	0,6	14,7	544,0	73,2	105,8	714,3	318,9	476,7	459,7	314,7	0,17	77,11	76,19	83,97	0,15	77,20	76,17	86,41			
35,0	294,0	23,5	0,6	14,8	546,0	73,3	105,8	717,1	319,4	479,9	462,0	313,5	0,17	77,18	76,23	83,93	0,15	77,26	76,19	86,12			
36,0	295,0	23,3	0,5	14,9	547,2	73,3	105,7	720,5	320,0	483,2	464,2	312,1	0,17	77,22	76,23	83,88	0,15	77,29	76,21	85,87			
37,0	296,0	23,0	0,5	15,1	549,9	73,4	106,2	723,8	320,7	486,5	466,5	311,0	0,17	77,29	76,29	83,86	0,15	77,34	76,25	85,71			
38,0	297,0	22,9	0,6	15,1	551,4	73,5	106,3	727,4	321,5	489,8	468,9	309,7	0,17	77,37	76,30	83,88	0,15	77,42	76,27	85,54			
39,0	298,0	22,6	0,6	15,4	553,9	73,5	107,1	730,6	322,3	493,1	471,6	308,5	0,17	77,46	76,33	83,91	0,15	77,48	76,30	85,34			
40,0	299,0	22,4	0,6	15,5	555,4	73,6	107,2	734,5	323,1	496,4	474,6	307,3	0,17	77,56	76,37	83,89	0,15	77,55	76,34	85,11			
41,0	300,0	22,2	0,6	15,6	558,6	73,5	106,6	738,4	324,1	499,6	477,6	306,1	0,17	77,59	76,39	83,87	0,15	77,61	76,36	84,96			
42,0	301,0	21,9	0,7	15,7	560,7	73,6	107,3	742,3	325,0	503,0	480,7	304,9	0,17	77,63	76,41	83,86	0,15	77,63	76,38	84,81			
43,0	302,0	21,7	0,7	15,9	563,2	73,6	106,9	744,9	325,9	506,2	483,8	303,6	0,17	77,72	76,42	83,84	0,15	77,67	76,38	84,64			
44,0	303,0	21,4	0,6	15,9	565,5	73,7	106,5	748,4	326,9	509,4	486,9	302,5	0,17	77,71	76,46	83,83	0,15	77,71	76,41	84,50			
45,0	304,0	21,2	0,6	16,0	565,6	73,7	106,8	751,4	328,0	512,7	490,1	301,4	0,17	77,75	76,48	83,87	0,15	77,76	76,45	84,37			
46,0	305,0	20,9	0,6	16,0	567,7	73,6	107,4	754,2	329,0	516,0	493,2	300,2	0,17	77,82	76,52	83,86	0,15	77,83	76,49	84,22			
47,0	306,0	20,7	0,6	16,3	570,4	73,8	108,3	758,5	330,1	519,5	496,3	299,1	0,17	77,95	76,55	83,89	0,15	77,90	76,51	84,07			
48,0	307,0	20,5	0,6	16,4	571,4	73,8	108,7	760,2	331,3	522,8	499,4	297,9	0,17	78,03	76,57	83,94	0,15	77,93	76,52	83,93			
49,0	308,0	20,3	0,6	16,4	572,6	73,8	108,6	763,2	332,5	526,1	502,6	296,9	0,17	78,06	76,58	83,97	0,15	77,97	76,56	83,84			
50,0	309,0	20,0	0,7	16,3	572,5	73,7	108,8	766,1	333,7	529,5	505,7	295,8	0,17	78,12	76,60	84,01	0,15	78,04	76,57	83,71			
51,0	310,0	19,8	0,6	16,5	571,5	73,9	109,2	768,0	335,0	532,9	509,0	294,8	0,17	78,16	76,66	84,02	0,15	78,06	76,62	83,57			
52,0	311,0	19,5	0,8	16,3	571,7	74,0	109,3	769,9	336,4	536,0	512,1	293,7	0,17	78,17	76,68	84,06	0,15	78,11	76,64	83,46			
53,0	312,0	19,3	0,7	16,3	573,6	74,0	108,6	772,1	337,8	539,1	515,3	292,7	0,17	78,17	76,71	84,07	0,15	78,12	76,67	83,31			
54,0	313,0	19,1	0,6	16,4	573,4	73,9	108,6	773,8	339,1	542,6	518,6	291,6	0,17	78,19	76,74	84,06	0,15	78,17	76,67	83,17			
55,0	314,0	18,9	0,5	16,7	574,0	73,9	108,3	776,1	340,6	545,8	521,6	290,6	0,17	78,21	76,75	84,05	0,15	78,20	76,69	83,07			
56,0	315,0	18,6	0,5	16,6	574,2	74,0	108,3	778,3	342,1	549,1	524,												

82,0	341,0	13,1	0,4	16,1	551,2	74,4	109,2	765,5	380,1	613,9	587,3	271,7	0,17	79,50	77,49	83,93	0,15	79,25	77,58	85,32
83,0	342,0	12,9	0,4	16,3	551,6	74,4	108,4	767,2	381,4	615,3	588,7	271,3	0,17	79,57	77,54	83,83	0,15	79,33	77,62	85,22
84,0	343,0	12,7	0,3	16,4	550,3	74,4	109,0	766,4	382,8	616,9	590,4	270,9	0,17	79,65	77,58	83,74	0,15	79,41	77,66	85,06
85,0	344,0	12,6	0,3	16,1	546,1	74,4	109,1	763,4	384,2	618,2	591,8	270,5	0,17	79,66	77,64	83,64	0,15	79,45	77,72	84,93
86,0	345,0	12,4	0,3	15,5	541,8	74,5	108,1	758,9	385,7	619,7	593,1	270,2	0,17	79,69	77,67	83,57	0,15	79,52	77,76	84,81
87,0	346,0	12,2	0,3	15,4	540,7	74,2	107,7	756,1	387,1	621,2	594,4	269,9	0,17	79,82	77,71	83,50	0,15	79,58	77,80	84,68
88,0	347,0	12,0	0,3	15,1	534,6	74,5	106,2	753,1	388,5	622,6	595,6	269,6	0,17	79,90	77,74	83,40	0,15	79,62	77,81	84,56
89,0	348,0	11,9	0,2	14,9	532,2	74,5	106,1	746,9	389,9	623,5	596,5	269,3	0,17	79,93	77,77	83,32	0,15	79,67	77,85	84,45
90,0	349,0	11,7	0,2	14,8	529,1	74,3	106,1	741,6	391,2	624,4	597,3	269,1	0,17	79,95	77,79	83,26	0,15	79,70	77,87	84,33
91,0	350,0	11,5	0,1	14,6	525,6	74,4	105,7	734,8	392,4	625,4	597,9	268,9	0,17	79,92	77,82	83,18	0,15	79,72	77,87	84,18
92,0	351,0	11,4	0,1	14,5	522,1	74,6	106,8	735,0	393,7	626,2	598,2	268,7	0,17	79,92	77,82	83,12	0,15	79,72	77,89	84,10
93,0	352,0	11,2	0,1	14,3	519,4	74,6	106,9	723,8	394,9	626,8	598,4	268,6	0,17	79,87	77,81	83,09	0,15	79,70	77,88	84,00
94,0	353,0	11,1	0,1	14,2	516,7	74,5	105,4	718,5	396,1	627,3	598,4	268,5	0,17	79,90	77,84	83,08	0,15	79,76	77,90	83,90
95,0	354,0	10,9	0,1	13,9	511,6	74,6	105,2	713,7	397,2	627,7	598,2	268,4	0,17	79,91	77,86	83,00	0,15	79,76	77,89	83,79
96,0	355,0	10,8	0,1	13,3	504,1	74,5	105,9	708,3	398,3	628,5	598,2	268,4	0,17	79,90	77,87	82,96	0,15	79,77	77,91	83,70
97,0	356,0	10,7	0,2	13,0	498,4	74,5	105,9	701,7	399,3	629,2	598,1	268,5	0,17	79,90	77,91	82,91	0,15	79,80	77,97	83,57
98,0	357,0	10,6	0,2	12,6	493,5	74,6	105,7	695,0	400,3	629,8	598,1	268,5	0,17	79,85	77,90	82,84	0,15	79,77	77,96	83,47
99,0	358,0	10,4	0,2	12,5	488,8	74,5	104,8	688,0	401,3	630,4	598,0	268,5	0,17	79,82	77,95	82,79	0,15	79,78	77,99	83,37
100,0	359,0	10,3	0,2	12,3	484,7	74,5	105,0	679,3	402,4	631,0	597,9	268,5	0,17	79,79	77,96	82,72	0,15	79,76	78,00	83,27
101,0	360,0	10,2	0,2	12,1	479,5	74,5	103,9	672,1	403,4	631,5	597,7	268,5	0,17	79,77	77,98	82,61	0,15	79,78	78,01	83,16
102,0	361,0	10,1	0,2	11,7	473,2	74,3	103,1	665,5	404,4	631,9	597,5	268,5	0,17	79,76	77,99	82,50	0,15	79,79	78,01	83,05
103,0	362,0	10,0	0,2	11,4	468,6	74,4	102,0	657,4	405,5	632,4	597,2	268,6	0,17	79,71	77,99	82,41	0,15	79,71	77,98	82,93
104,0	363,0	9,9	0,2	11,3	464,1	74,3	101,4	650,8	406,5	633,0	596,8	268,5	0,17	79,59	77,99	82,33	0,15	79,63	77,96	82,82
105,0	364,0	9,8	0,2	11,4	461,4	74,3	101,1	643,7	407,5	633,3	596,3	268,5	0,17	79,45	78,01	82,25	0,15	79,56	77,93	82,72
106,0	365,0	9,7	0,2	11,4	458,6	74,3	101,0	637,4	408,5	633,7	596,0	268,5	0,17	79,35	78,01	82,22	0,15	79,50	77,95	82,60
107,0	366,0	9,6	0,2	11,6	456,4	74,4	101,7	632,8	409,5	634,0	595,6	268,6	0,17	79,31	78,01	82,15	0,15	79,45	77,93	82,55
108,0	367,0	9,4	0,2	11,7	455,4	74,2	101,0	628,0	410,5	634,0	595,3	268,6	0,17	79,32	78,01	82,05	0,15	79,44	77,91	82,49
109,0	368,0	9,3	0,2	11,7	454,4	74,4	100,2	623,9	411,5	634,0	594,8	268,6	0,17	79,32	78,02	81,91	0,15	79,43	77,93	82,49
110,0	369,0	9,2	0,3	11,7	452,8	74,5	101,1	620,4	412,4	634,2	594,0	268,7	0,17	79,29	78,02	81,81	0,15	79,42	77,96	82,38
111,0	370,0	9,1	0,3	11,7	451,0	74,5	100,4	616,3	413,3	634,4	593,6	268,8	0,17	79,29	78,00	81,74	0,15	79,42	77,94	82,33
112,0	371,0	9,0	0,3	11,7	449,8	74,3	101,0	613,4	414,2	634,5	593,2	268,8	0,17	79,22	78,01	81,69	0,15	79,40	77,96	82,30
113,0	372,0	8,9	0,2	11,7	448,0	74,5	100,7	612,1	415,1	635,0	592,8	269,0	0,17	79,19	78,04	81,62	0,15	79,40	78,00	82,20
114,0	373,0	8,8	0,3	11,7	447,3	74,4	99,4	610,7	415,9	635,3	592,5	268,9	0,17	79,19	78,05	83,74	0,15	79,39	78,02	82,10
115,0	374,0	8,7	0,3	11,7	446,1	74,3	99,2	609,0	416,8	635,8	592,4	269,0	0,17	79,19	78,06	87,20	0,15	79,39	78,03	82,00
116,0	375,0	8,6	0,2	11,8	444,8	74,2	100,0	608,1	417,7	636,3	592,2	269,0	0,17	79,14	78,04	88,04	0,15	79,36	78,02	81,90
117,0	376,0	8,5	0,2	11,8	444,0	74,3	100,0	607,1	418,6	636,7	592,0	269,1	0,17	79,02	78,06	87,98	0,15	79,31	78,03	81,80
118,0	377,0	8,4	0,2	11,8	443,0	74,2	99,3	606,5	419,5	637,2	591,9	269,2	0,17	78,91	78,03	87,55	0,15	79,22	78,04	81,70
119,0	378,0	8,3	0,2	11,8	442,3	74,1	99,8	606,1	420,3	637,6	591,7	269,3	0,17	78,89	78,04	87,09	0,15	79,19	78,04	81,60
120,0	379,0	8,2	0,2	11,7	442,1	74,1	99,9	605,9	421,3	638,2	591,5	269,4	0,17	78,88	78,04	86,63	0,15	79,16	78,04	81,50
121,0	380,0	8,1	0,2	11,7	442,4	74,2	98,5	606,3	422,1	638,7	591,3	269,5	0,17	78,87	78,03	86,19	0,15	79,14	78,04	81,40
122,0	381,0	8,0	0,3	11,1	440,5	74,2	99,4	606,0	423,0	638,9	591,2	269,6	0,17	78,88	78,01	85,78	0,15	79,14	78,03	81,30
123,0	382,0	7,9	0,3	11,1	440,1	74,1	99,5	605,8	424,0	638,5	590,9	269,8	0,17	78,88	78,02	85,45	0,15	79,13	78,04	81,20
124,0	383,0	7,8	0,3	11,2	438,7	74,1	98,8	605,5	425,1	637,4	590,4	269,9	0,17	78,90	78,01	85,13	0,15	79,15	78,02	81,10
125,0	384,0	7,7	0,3	11,3	438,3	74,2	98,7	606,7	426,2	636,3	590,1	269,9	0,17	78,90	77,99	84,80	0,15	79,12	78,02	81,00
126,0	385,0	7,6	0,2	11,3	436,3	74,2	97,5	607,0	427,3	635,0	589,8	270,1	0,17	78,79	77,97	84,45	0,15	79,03	78,02	80,90
127,0	386,0	7,5	0,2	10,9	431,0	74,2	98,1	604,9	428,4	633,6	589,5	270,2	0,17	78,73	77,93	84,08	0,15	79,00	77,99	80,80
128,0	387,0	7,5	0,2	10,3	424,1	74,3	98,0	601,6	429,4	631,8	589,1	270,3	0,17	78,73	77,96	83,80	0,15	78,98	78,01	80,70
129,0	388,0	7,4	0,3	9,7	418,5	73,6	97,5	595,0	430,4	629,8	588,5	270,4	0,17	78,78	77,98	83,55	0,15	79,00	77,96	80,60
130,0	389,0	7,3	0,3	9,6	414,1	74,0	97,3	588,3	431,3	627,8	587,8	270,6	0,17	78,74	77,94	83,30	0,15	78,94	77,96	80,50
131,0	390,0	7,3	0,3	9,4	409,8	74,1	97,2	580,1	432,3	625,8	586,9	270,6	0,17	78,67	77,95	83,05	0,15	78,90	77,93	80,40
132,0	391,0	7,2	0,3	9,3	407,4	74,2	94,4	573,1	433,0	623,8	586,1	270,6	0,17	78,54	77,91	82,83	0,15	78,81	77,93	80,30
133,0	392,0	7,1	0,3	9,4	405,7	74,1	96,5	566,1	433,8	621,9	585,1	270,7	0,17	78,52	77,89	82,64	0,15	78,76	77,92	80,20
134,0	393,0	7,0	0,3	9,5	403,1	74,1	96,9	560,1	434,6	620,2	584,3	270,9	0,17	78,55	77,89	82,44	0,15	78,74	77,91	80,10
135,0	394,0	6,9	0,3	9,5	401,5	74,1	96,4	555,4	435,3	618,5	583,3	271,0	0,17	78,60	77,90	82,30	0,15	78,76	77,89	80,00
136,0	395,0	6,9	0,3	9,5	400,3	74,0	96,2	550,9	436,1	616,9	582,4	271,2	0,17	78,62	77,88	82,10	0,15	78,75	77,85	79,90
137,0	396,0	6,9	0,3	9,5	398,8	74,0	96,2	546,8	437,0	615,4	581,5	271,3	0,17	78,58	77,88	81,98	0,15	78,72	77,83	79,80
138,0	397,0	6,8	0,3	9,5	396,9	74,0	95,5	542,1	437,9	614,0	580,8	271,4	0,17	78,56	77,89	81,85	0,15	78,72	77,82	79,70
139,0	398,0	6,7	0,4	9,6	395,5	74,1	95,7	538,6	438,9	612,6	580,2	271,6	0,17	78,51	77,91	81,71	0,15	78,68	77,83	79,60
140,0	399,0	6,6	0,3	9,5	392,9	74,0	96,0	534,2	439,8	611,3	579,5	271,9	0,17	78,43	77,90	81,57	0,15	78,66	77,83	79,50
141,0	400,0	6,6	0,3	9,2	388,9	74,0	94,6	530,4	440,7	609,7</										

168,0	427,0	5,5	1,1	5,5	323,7	74,1	90,6	429,5	437,1	544,9	527,0	276,2	0,17	78,20	77,84	87,42	0,15	78,44	77,77	87,49
169,0	428,0	5,5	1,1	5,5	321,5	74,0	90,6	425,4	435,1	541,0	524,3	276,3	0,17	78,18	77,86	86,99	0,15	78,43	77,78	87,11
170,0	429,0	5,4	1,1	5,6	319,2	73,9	90,6	422,2	433,0	537,3	521,7	276,4	0,17	78,14	77,84	86,47	0,15	78,40	77,76	86,74
171,0	430,0	5,4	1,1	5,6	317,9	74,0	90,1	417,8	431,0	533,7	519,2	276,4	0,17	78,12	77,81	85,98	0,15	78,37	77,76	86,42
172,0	431,0	5,4	1,1	5,6	316,0	73,8	90,0	414,7	428,8	530,3	516,4	276,4	0,17	78,14	77,84	85,46	0,15	78,35	77,75	86,12
173,0	432,0	5,3	1,1	5,6	313,8	74,1	89,8	410,8	426,7	527,1	514,1	276,5	0,17	78,12	77,83	85,01	0,15	78,35	77,74	85,89
174,0	433,0	5,3	1,1	5,6	313,2	74,1	89,9	407,9	424,7	524,3	511,9	276,5	0,17	78,10	77,82	84,58	0,15	78,34	77,73	85,60
175,0	434,0	5,3	1,1	5,6	310,9	74,0	90,1	404,9	422,6	521,6	509,6	276,6	0,17	78,06	77,83	84,17	0,15	78,32	77,72	85,38
176,0	435,0	5,3	1,1	5,6	310,1	73,9	89,2	402,7	420,8	519,0	507,6	276,7	0,17	78,04	77,82	83,77	0,15	78,29	77,72	85,09
177,0	436,0	5,3	1,1	5,7	308,9	74,0	89,1	400,5	418,9	516,6	505,6	276,7	0,17	78,00	77,79	83,41	0,15	78,27	77,71	84,86
178,0	437,0	5,2	1,1	5,7	307,4	73,9	89,1	398,1	417,0	514,4	503,6	276,8	0,17	77,96	77,78	83,04	0,15	78,22	77,70	84,62
179,0	438,0	5,2	1,1	5,7	306,3	73,9	89,0	395,7	415,2	512,2	501,8	276,9	0,17	77,92	77,80	82,77	0,15	78,20	77,69	84,42
180,0	439,0	5,2	1,1	5,7	305,0	74,1	88,7	394,1	413,4	510,0	500,0	276,9	0,17	77,85	77,76	82,49	0,15	78,16	77,69	84,16
181,0	440,0	5,2	1,1	5,7	304,1	73,9	88,6	391,6	411,8	508,0	498,3	277,1	0,17	77,81	77,75	82,18	0,15	78,14	77,69	83,90
182,0	441,0	5,1	1,1	5,6	302,5	74,0	89,3	390,6	410,2	506,0	496,5	277,2	0,17	77,78	77,73	81,91	0,15	78,11	77,67	83,66
183,0	442,0	5,1	1,0	5,6	301,9	74,0	88,9	388,8	408,6	504,0	494,7	277,3	0,17	77,76	77,75	81,59	0,15	78,11	77,68	83,41
184,0	443,0	5,1	1,0	5,6	300,7	73,9	89,2	386,7	406,8	501,9	492,9	277,3	0,17	77,72	77,74	82,02	0,15	78,09	77,67	83,21
185,0	444,0	5,0	1,0	5,5	300,0	74,0	88,0	385,3	405,1	500,1	491,3	277,4	0,17	77,72	77,73	85,32	0,15	78,10	77,66	82,98
186,0	445,0	5,0	1,0	5,5	299,1	73,9	87,7	383,4	403,5	498,2	489,7	277,4	0,17	77,73	77,73	87,37	0,15	78,09	77,62	82,78
187,0	446,0	5,0	1,0	5,4	297,3	73,8	88,0	381,1	401,8	496,4	488,3	277,6	0,17	77,73	77,73	87,39	0,15	78,10	77,64	82,57
188,0	447,0	5,0	1,0	5,5	296,1	73,9	88,4	379,3	400,1	494,7	486,8	277,7	0,17	77,74	77,73	86,89	0,15	78,07	77,62	83,28
189,0	448,0	5,0	1,0	5,5	294,9	73,8	87,9	378,6	398,4	493,1	485,5	277,7	0,17	77,76	77,72	86,21	0,15	78,04	77,60	85,88
190,0	449,0	5,0	1,0	5,5	293,9	73,8	88,2	376,6	396,8	491,3	484,1	277,8	0,17	77,72	77,70	85,68	0,15	78,03	77,59	87,61
191,0	450,0	5,0	1,0	5,5	293,3	74,0	88,3	375,5	395,3	489,9	482,8	278,0	0,17	77,70	77,70	85,13	0,15	78,02	77,58	87,61
192,0	451,0	4,9	1,0	5,5	292,4	73,9	87,8	373,9	393,8	488,5	481,5	277,9	0,17	77,67	77,70	84,63	0,15	78,01	77,56	87,21
193,0	452,0	4,9	1,0	5,5	291,2	73,8	87,6	372,6	392,2	486,9	480,2	277,8	0,17	77,54	77,66	84,17	0,15	77,93	77,57	86,76
194,0	453,0	4,8	1,0	5,5	289,8	73,9	86,5	372,1	390,8	485,7	479,1	277,9	0,17	77,56	77,66	83,70	0,15	77,91	77,57	86,33
195,0	454,0	4,8	1,0	5,4	288,9	73,7	87,6	370,5	389,3	484,4	478,0	278,1	0,17	77,51	77,64	83,32	0,15	77,88	77,52	86,02
196,0	455,0	4,8	1,0	5,5	288,5	73,7	87,0	369,9	387,9	483,0	476,8	278,3	0,17	77,51	77,62	82,92	0,15	77,85	77,52	85,70
197,0	456,0	4,8	1,0	5,5	287,8	73,8	86,8	368,9	386,6	481,8	475,7	278,4	0,17	77,49	77,63	82,61	0,15	77,83	77,50	85,41
198,0	457,0	4,8	1,0	5,4	286,4	73,9	87,3	367,0	385,3	480,6	474,7	278,6	0,17	77,44	77,59	82,30	0,15	77,78	77,49	85,13
199,0	458,0	4,8	1,0	5,5	285,7	73,7	87,6	366,3	384,0	479,6	473,8	278,7	0,17	77,42	77,60	82,04	0,15	77,80	77,48	84,88
200,0	459,0	4,8	1,0	5,4	285,3	73,7	87,4	364,3	382,8	478,5	472,8	278,9	0,17	77,40	77,58	81,76	0,15	77,79	77,48	84,66
201,0	460,0	4,7	1,0	5,4	284,7	73,6	87,3	363,4	381,6	477,4	471,9	279,0	0,17	77,36	77,58	81,50	0,15	77,74	77,48	84,39
202,0	461,0	4,7	1,0	5,4	284,1	73,7	86,4	363,2	380,6	476,3	471,0	279,1	0,17	77,28	77,58	83,53	0,15	77,72	77,48	84,14
203,0	462,0	4,7	1,0	5,4	283,7	73,7	86,8	361,3	379,5	475,4	470,0	279,2	0,17	77,27	77,55	86,87	0,15	77,71	77,48	83,91
204,0	463,0	4,7	1,0	5,4	282,5	73,8	87,1	360,5	378,4	474,4	469,1	279,3	0,17	77,25	77,53	87,70	0,15	77,68	77,43	83,66
205,0	464,0	4,6	1,0	5,4	281,8	73,7	87,1	359,6	377,4	473,4	468,2	279,4	0,17	77,23	77,52	87,32	0,15	77,66	77,40	83,42
206,0	465,0	4,6	1,0	5,4	281,2	73,5	86,2	358,9	376,4	472,5	467,3	279,4	0,17	77,15	77,49	86,75	0,15	77,58	77,40	83,19
207,0	466,0	4,6	1,0	5,4	280,4	73,4	86,4	357,3	375,4	471,7	466,5	279,5	0,17	77,10	77,49	86,16	0,15	77,54	77,40	82,95
208,0	467,0	4,6	1,0	5,4	279,7	73,6	86,5	357,0	374,5	470,9	465,7	279,6	0,17	77,12	77,47	85,58	0,15	77,53	77,40	82,70
209,0	468,0	4,5	1,0	5,4	278,9	73,6	86,9	355,7	373,6	470,0	464,9	279,7	0,17	77,14	77,44	84,98	0,15	77,54	77,39	82,47
210,0	469,0	4,5	1,0	5,4	278,3	73,6	87,0	354,4	372,7	469,0	464,0	279,9	0,17	77,14	77,44	84,45	0,15	77,53	77,36	83,73
211,0	470,0	4,5	0,9	5,3	277,7	73,6	86,8	353,8	371,9	468,2	463,3	280,0	0,17	77,17	77,44	83,89	0,15	77,53	77,35	86,57
212,0	471,0	4,5	0,9	5,4	276,9	73,5	86,6	352,7	371,2	467,3	462,6	280,2	0,17	77,13	77,42	83,39	0,15	77,50	77,34	87,69
213,0	472,0	4,5	0,9	5,4	276,4	73,6	86,7	352,0	370,4	466,4	462,0	280,3	0,17	77,09	77,40	82,98	0,15	77,49	77,34	87,51
214,0	473,0	4,5	0,9	5,3	275,2	73,5	86,5	351,9	369,6	465,5	461,3	280,5	0,17	77,02	77,37	82,60	0,15	77,43	77,34	87,09
215,0	474,0	4,4	0,9	5,3	275,3	73,5	86,5	350,5	368,9	464,6	460,8	280,6	0,17	76,93	77,34	82,25	0,15	77,37	77,32	86,64
216,0	475,0	4,4	0,9	5,3	274,6	73,5	86,8	349,8	368,2	463,8	460,2	280,7	0,17	76,82	77,31	81,91	0,15	77,33	77,32	86,25
217,0	476,0	4,4	0,9	5,3	274,3	73,5	86,3	349,5	367,5	462,9	459,5	280,8	0,17	76,80	77,32	81,63	0,15	77,29	77,33	85,90
218,0	477,0	4,3	0,9	5,3	273,6	73,5	86,6	348,4	367,0	462,0	459,0	280,9	0,17	76,75	77,32	82,03	0,15	77,27	77,32	85,58
219,0	478,0	4,3	0,9	5,4	272,9	73,5	86,3	347,3	366,4	461,1	458,5	280,9	0,17	76,77	77,30	85,40	0,15	77,28	77,33	85,29
220,0	479,0	4,3	0,9	5,4	272,8	73,5	86,2	347,2	365,8	460,3	457,9	281,0	0,17	76,83	77,30	87,46	0,15	77,31	77,31	85,02
221,0	480,0	4,3	0,9	5,3	272,6	73,4	85,8	345,8	365,2	459,6	457,2	281,0	0,17	76,82	77,30	87,47	0,15	77,29	77,31	84,72
222,0	481,0	4,3	0,9	5,3	272,0	73,5	85,6	345,5	364,6	458,8	456,9	281,2	0,17	76,84	77,29	86,97	0,15	77,30	77,32	84,48
223,0	482,0	4,3	0,9	5,3	271,4	73,5	86,3	345,1	364,1	458,0	456,3	281,2	0,17	76,81	77,28	86,33	0,15	77,28	77,31	84,22
224,0	483,0	4,2	0,9	5,3	270,3	73,6	85,8	344,8	363,6	457,2	455,8	281,4	0,17	76,80	77,29	85,71	0,15	77,28	77,30	83,95
225,0	484,0	4,2	0,9	5,3	270,3	73,5	85,8	343,7	363,1	456,5	455,4	281,4	0,17	76,88	77,30	85,11	0,15	77,29	77,28	83,69
226,0	485,0	4,2	0,9	5,4	270,0	73,5	85,7	343,6	362,7	455,8	454,9	281,6	0,17	76,89	77,29	84,60	0,15	77,28	77,26	83,44
227,0	486,0	4,2	0,9	5,2	269,7	73,3	85,8	342,5	362,2	455,2	454,4	281,7	0,17	76,85	77,28	84,10	0,15	77,26	77,	

254,0	513,0	3,6	0,9	5,1	259,2	74,4	87,4	329,4	353,7	441,7	442,2	284,1	0,17	78,31	77,67	84,80	0,15	78,41	77,75	82,41
255,0	514,0	3,6	0,9	5,1	259,4	74,5	87,2	329,1	353,6	441,4	441,7	284,2	0,17	78,27	77,69	87,58	0,15	78,41	77,78	83,84
256,0	515,0	3,6	0,9	5,1	259,5	74,4	87,0	328,7	353,3	441,1	441,2	284,2	0,17	78,28	77,70	87,81	0,15	78,41	77,79	86,71
257,0	516,0	3,6	0,9	5,0	259,2	74,6	86,3	328,5	353,2	440,8	440,5	284,2	0,17	78,28	77,70	87,39	0,15	78,42	77,78	87,87
258,0	517,0	3,6	0,9	5,0	258,5	74,4	86,7	327,7	353,0	440,5	440,1	284,3	0,17	78,21	77,68	86,78	0,15	78,37	77,79	87,69
259,0	518,0	3,6	0,9	5,0	258,8	74,4	86,9	327,8	352,9	440,2	439,8	284,3	0,17	78,14	77,69	86,18	0,15	78,33	77,78	87,33
260,0	519,0	3,5	0,9	5,0	258,1	74,4	86,9	327,7	352,6	439,8	439,4	284,4	0,17	78,07	77,67	85,61	0,15	78,29	77,77	86,93
261,0	520,0	3,5	0,9	5,1	257,8	74,3	86,8	327,2	352,5	439,5	439,0	284,5	0,17	78,01	77,66	85,10	0,15	78,27	77,78	86,59
262,0	521,0	3,5	0,9	5,0	258,1	74,2	86,2	326,8	352,3	439,0	438,5	284,5	0,17	77,98	77,65	84,62	0,15	78,25	77,76	86,25
263,0	522,0	3,5	0,9	5,1	257,8	74,3	85,6	326,8	352,2	438,6	438,0	284,5	0,17	77,95	77,66	84,18	0,15	78,24	77,77	85,98
264,0	523,0	3,4	0,9	4,7	256,7	74,2	86,3	325,7	352,0	438,1	437,7	284,6	0,17	77,93	77,65	83,77	0,15	78,24	77,77	85,72
265,0	524,0	3,4	0,9	4,8	256,7	74,2	86,4	325,5	351,9	437,6	437,2	284,6	0,17	77,96	77,65	83,44	0,15	78,23	77,77	85,45
266,0	525,0	3,4	0,9	4,8	256,2	74,2	86,4	324,7	351,7	436,9	436,7	284,7	0,17	77,90	77,65	83,10	0,15	78,21	77,77	85,19
267,0	526,0	3,4	0,9	4,8	255,8	74,2	86,3	323,8	351,6	436,3	436,4	284,7	0,17	77,86	77,65	82,77	0,15	78,18	77,76	84,92
268,0	527,0	3,4	0,9	4,8	255,6	74,3	86,3	323,9	351,6	435,6	435,9	284,8	0,17	77,84	77,64	82,48	0,15	78,19	77,78	84,66
269,0	528,0	3,4	0,9	4,8	255,4	74,2	86,2	323,3	351,5	434,9	435,5	284,8	0,17	77,84	77,66	82,16	0,15	78,17	77,77	84,44
270,0	529,0	3,3	0,9	4,8	255,3	74,2	86,2	323,0	351,4	434,2	434,0	284,9	0,17	77,82	77,67	81,89	0,15	78,14	77,75	84,19
271,0	530,0	3,3	0,9	4,8	255,1	74,2	86,1	322,1	351,3	433,5	434,4	284,9	0,17	77,76	77,67	81,65	0,15	78,14	77,77	83,96
272,0	531,0	3,3	0,9	4,7	254,5	74,3	86,2	321,0	351,2	432,7	433,8	285,1	0,17	77,74	77,66	83,28	0,15	78,11	77,77	83,73
273,0	532,0	3,3	0,9	4,7	253,8	74,2	86,0	321,1	351,1	432,0	433,4	285,1	0,17	77,73	77,65	86,81	0,15	78,11	77,76	83,50
274,0	533,0	3,3	0,9	4,8	253,7	74,1	86,1	320,3	351,0	431,3	432,8	285,1	0,17	77,70	77,65	87,93	0,15	78,08	77,73	83,25
275,0	534,0	3,3	0,9	4,7	253,3	74,2	86,1	319,8	351,0	430,7	432,3	285,1	0,17	77,65	77,62	87,69	0,15	78,03	77,73	83,03
276,0	535,0	3,2	0,9	4,7	252,7	74,1	85,4	318,9	350,9	430,1	431,8	285,1	0,17	77,65	77,64	87,17	0,15	78,05	77,73	82,85
277,0	536,0	3,2	0,9	4,7	252,6	74,1	85,2	318,9	350,8	429,4	431,2	285,1	0,17	77,61	77,63	86,56	0,15	78,02	77,74	82,61
278,0	537,0	3,2	0,9	4,7	252,1	74,1	85,6	318,2	350,7	428,8	430,7	285,1	0,17	77,62	77,62	85,90	0,15	77,99	77,71	82,40
279,0	538,0	3,2	0,8	4,7	251,5	74,1	85,7	317,6	350,7	428,2	430,3	285,1	0,17	77,59	77,60	85,33	0,15	77,94	77,72	84,20
280,0	539,0	3,2	0,8	4,7	251,0	74,1	85,5	317,5	350,6	427,6	429,8	285,1	0,17	77,57	77,59	84,68	0,15	77,95	77,70	87,03
281,0	540,0	3,2	0,8	4,7	250,8	74,0	85,8	316,6	350,6	427,0	429,3	285,1	0,17	77,53	77,56	84,17	0,15	77,92	77,69	87,90
282,0	541,0	3,1	0,8	4,7	250,8	74,1	85,6	316,0	350,5	426,5	428,8	285,0	0,17	77,47	77,57	83,75	0,15	77,88	77,68	87,64
283,0	542,0	3,1	0,8	4,7	250,5	74,1	85,6	315,9	350,5	425,9	428,3	285,0	0,17	77,43	77,57	83,31	0,15	77,85	77,67	87,14
284,0	543,0	3,1	0,8	4,7	250,5	74,2	85,5	314,9	350,4	425,4	427,8	285,1	0,17	77,41	77,56	82,95	0,15	77,83	77,68	86,70
285,0	544,0	3,1	0,8	4,7	250,4	74,2	85,5	314,4	350,3	424,9	427,3	285,1	0,17	77,35	77,52	82,57	0,15	77,76	77,67	86,31
286,0	545,0	3,1	0,8	4,8	250,2	74,2	85,5	314,1	350,3	424,4	426,9	285,1	0,17	77,31	77,52	82,25	0,15	77,73	77,67	86,00
287,0	546,0	3,1	0,8	4,8	250,1	74,0	85,3	313,6	350,1	424,0	426,5	285,1	0,17	77,27	77,49	81,93	0,15	77,68	77,65	85,68
288,0	547,0	3,0	0,8	4,8	249,9	74,1	85,3	313,3	350,0	423,6	426,1	285,1	0,17	77,23	77,46	81,64	0,15	77,66	77,65	85,40
289,0	548,0	3,0	0,8	4,8	249,9	74,0	85,2	312,9	349,9	423,3	425,8	285,0	0,17	77,28	77,46	81,51	0,15	77,69	77,64	85,11
290,0	549,0	3,0	0,8	4,9	250,0	74,0	85,0	312,5	349,8	423,0	425,4	285,0	0,17	77,25	77,47	84,35	0,15	77,66	77,62	84,81
291,0	550,0	3,0	0,8	4,9	250,0	73,9	85,4	312,3	349,7	422,9	425,1	285,0	0,17	77,31	77,46	87,16	0,15	77,66	77,61	84,59
292,0	551,0	3,0	0,8	4,9	250,0	73,9	85,5	312,2	349,6	422,7	424,8	285,1	0,17	77,31	77,46	87,53	0,15	77,67	77,59	84,33
293,0	552,0	2,9	0,9	4,9	250,6	73,8	85,3	312,1	349,6	422,6	424,5	285,1	0,17	77,28	77,44	87,09	0,15	77,64	77,57	84,06
294,0	553,0	2,9	0,9	4,9	250,5	74,0	85,4	312,1	349,4	422,5	424,2	285,1	0,17	77,28	77,44	86,54	0,15	77,63	77,58	83,78
295,0	554,0	2,9	0,9	4,9	250,7	73,8	85,2	312,2	349,3	422,4	423,9	285,2	0,17	77,28	77,44	85,95	0,15	77,65	77,59	83,51
296,0	555,0	2,9	0,9	4,9	250,8	73,9	85,6	312,1	349,3	422,4	423,7	285,2	0,17	77,28	77,43	85,41	0,15	77,64	77,60	83,27
297,0	556,0	2,8	0,9	5,0	251,6	73,9	85,3	312,2	349,3	422,4	423,5	285,3	0,17	77,23	77,41	84,89	0,15	77,59	77,57	83,02
298,0	557,0	2,8	0,9	5,0	251,2	73,8	84,9	312,2	349,3	422,5	423,2	285,1	0,17	77,19	77,40	84,41	0,15	77,58	77,57	82,75
299,0	558,0	2,8	0,9	5,0	251,7	73,8	85,3	312,6	349,4	422,7	423,0	285,2	0,17	77,26	77,41	83,99	0,15	77,60	77,56	82,53
300,0	559,0	2,8	0,9	5,0	251,7	73,9	84,9	312,6	349,5	422,9	422,8	285,3	0,17	77,25	77,41	83,59	0,15	77,57	77,54	83,06
301,0	560,0	2,8	0,9	5,0	251,9	74,0	84,9	312,4	349,6	423,2	422,6	285,2	0,17	77,17	77,36	83,11	0,15	77,49	77,52	85,63
302,0	561,0	2,8	0,9	5,0	252,1	73,8	85,1	312,8	349,7	423,5	422,4	285,3	0,17	77,18	77,37	82,65	0,15	77,50	77,51	87,44
303,0	562,0	2,8	0,9	5,1	252,6	73,9	85,2	313,4	349,8	424,0	424,0	285,4	0,17	77,16	77,37	82,24	0,15	77,51	77,51	87,43
304,0	563,0	2,7	0,9	5,1	253,0	74,0	84,8	313,0	350,0	424,5	422,4	285,5	0,17	77,18	77,37	81,91	0,15	77,52	77,50	87,04
305,0	564,0	2,7	0,9	5,1	253,3	73,9	85,3	313,3	350,2	425,1	422,4	285,4	0,17	77,14	77,34	81,64	0,15	77,50	77,51	86,58
306,0	565,0	2,6	0,9	5,1	253,5	73,9	85,1	313,5	350,4	425,6	422,6	285,5	0,17	77,17	77,36	83,99	0,15	77,53	77,50	86,20
307,0	566,0	2,7	0,9	5,1	253,5	73,8	85,1	313,6	350,6	426,3	422,7	285,5	0,17	77,17	77,36	87,03	0,15	77,52	77,49	85,85
308,0	567,0	2,6	0,9	5,1	253,9	73,9	85,2	314,0	350,9	426,9	422,7	285,6	0,17	77,14	77,34	87,59	0,15	77,48	77,47	85,54
309,0	568,0	2,6	0,9	5,2	253,9	73,8	85,1	313,9	351,1	427,5	422,8	285,7	0,17	77,13	77,33	87,25	0,15	77,46	77,46	85,27
310,0	569,0	2,6	0,9	5,2	254,5	73,9	85,2	314,5	351,4	428,1	422,8	285,7	0,17	77,12	77,32	86,68	0,15	77,45	77,49	85,00
311,0	570,0	2,6	0,9	5,2	254,4	73,9	85,1	314,8	351,6	428,7	422,8	285,8	0,17	77,11	77,30	86,11	0,15	77,43	77,47	84,73
312,0	571,0	2,5	0,9	5,2	254,6	73,8	85,2	315,2	351,9	429,3	422,8	285,8	0,17	77,05	77,29	85,56	0,15	77,38	77,45	84,46
313,0	572,0	2,5	0,9	5,2	254,4	73,8	85,3	315,7	352,2	429,9	422,9	285,9	0,17	77,05	77,27	85,03	0,15	77,39	77,46	

340,0	599,0	2,0	0,9	5,4	259,6	73,7	84,8	323,4	361,9	441,6	427,0	288,7	0,17	76,84	77,05	84,64	0,15	77,13	77,25	82,78
341,0	600,0	1,9	0,9	5,4	260,3	73,7	84,8	323,5	362,3	442,0	427,2	288,8	0,17	76,86	77,03	87,29	0,15	77,15	77,24	84,91
342,0	601,0	1,9	0,9	5,4	260,6	73,7	85,2	323,7	362,7	442,5	427,4	288,9	0,17	76,86	77,04	87,52	0,15	77,18	77,24	87,32
343,0	602,0	1,9	0,9	5,4	260,7	73,7	84,7	324,1	363,2	442,9	427,6	288,9	0,17	76,85	77,02	87,03	0,15	77,15	77,23	87,72
344,0	603,0	1,9	0,9	5,4	260,6	73,7	84,5	323,8	363,7	443,3	427,7	289,0	0,17	76,82	77,02	86,42	0,15	77,17	77,22	87,37
345,0	604,0	1,9	0,9	5,3	260,8	73,7	84,6	323,8	364,1	443,9	427,9	289,1	0,17	76,78	77,01	85,77	0,15	77,14	77,20	86,91
346,0	605,0	1,8	0,9	5,2	260,7	73,8	84,9	324,2	364,6	444,6	428,0	289,1	0,17	76,78	77,02	85,28	0,15	77,12	77,20	86,49
347,0	606,0	1,8	0,9	5,2	261,0	73,7	84,9	324,4	365,0	445,2	428,2	289,2	0,17	76,76	77,00	84,76	0,15	77,13	77,22	86,10
348,0	607,0	1,8	0,9	5,2	260,7	73,7	84,9	324,6	365,4	445,8	428,3	289,3	0,17	76,75	76,99	84,25	0,15	77,11	77,20	85,74
349,0	608,0	1,8	0,9	5,2	260,2	73,7	84,9	324,7	365,9	446,3	428,4	289,4	0,17	76,71	76,97	83,78	0,15	77,09	77,18	85,43
350,0	609,0	1,8	0,9	5,2	260,8	73,7	84,7	324,8	366,3	446,7	428,4	289,4	0,17	76,70	76,97	83,35	0,15	77,07	77,19	85,07
351,0	610,0	1,7	0,8	5,2	260,4	73,7	84,8	324,8	366,6	447,0	428,4	289,5	0,17	76,70	76,95	82,95	0,15	77,05	77,18	84,80
352,0	611,0	1,8	0,8	5,2	261,2	73,7	85,0	324,9	367,0	447,4	428,4	289,6	0,17	76,68	76,92	82,54	0,15	77,04	77,17	84,50
353,0	612,0	1,7	0,8	5,2	260,8	73,6	85,2	325,0	367,3	447,6	428,5	289,7	0,17	76,68	76,92	82,17	0,15	77,02	77,17	84,23
354,0	613,0	1,7	0,8	5,2	260,8	73,6	84,8	324,8	367,6	447,8	428,4	289,7	0,17	76,67	76,92	81,85	0,15	77,03	77,16	83,96
355,0	614,0	1,6	0,8	5,2	261,1	73,7	84,9	324,9	367,9	448,1	428,4	289,7	0,17	76,67	76,90	81,64	0,15	77,03	77,16	83,70
356,0	615,0	1,7	0,8	5,2	260,9	73,6	84,4	324,6	368,1	448,1	428,4	289,7	0,17	76,67	76,93	84,12	0,15	77,03	77,16	83,46
357,0	616,0	1,6	0,8	5,2	261,2	73,6	84,6	324,9	368,4	448,3	428,3	289,8	0,17	76,69	76,92	87,05	0,15	77,05	77,15	83,21
358,0	617,0	1,6	0,8	5,2	260,9	73,7	84,5	324,9	368,7	448,4	428,3	289,8	0,17	76,74	76,92	87,54	0,15	77,04	77,14	82,98
359,0	618,0	1,6	0,8	5,2	260,8	73,6	84,4	324,9	369,0	448,5	428,3	289,8	0,17	76,69	76,90	87,12	0,15	77,03	77,14	82,75
360,0	619,0	1,6	0,8	5,2	260,6	73,6	84,5	325,0	369,3	448,6	428,3	289,8	0,17	76,68	76,90	86,50	0,15	77,03	77,14	82,79
361,0	620,0	1,5	0,8	5,2	261,0	73,6	84,5	325,0	369,6	448,6	428,2	289,8	0,17	76,66	76,90	85,82	0,15	77,03	77,15	85,17
362,0	621,0	1,5	0,8	5,2	261,6	73,6	84,3	324,9	369,8	448,5	428,2	289,8	0,17	76,72	76,88	85,14	0,15	77,03	77,13	87,56
363,0	622,0	1,5	0,8	5,2	260,9	73,6	84,7	325,1	370,1	448,5	428,1	289,9	0,17	76,71	76,90	84,60	0,15	77,05	77,11	87,82
364,0	623,0	1,5	0,8	5,2	260,8	73,6	84,3	325,0	370,4	448,4	428,2	289,8	0,17	76,67	76,87	84,11	0,15	76,98	77,10	87,40
365,0	624,0	1,4	0,8	5,2	260,7	73,6	84,3	325,2	370,6	448,2	428,1	289,9	0,17	76,62	76,85	83,64	0,15	76,95	77,09	86,90
366,0	625,0	1,5	0,8	5,2	260,6	73,5	84,1	325,2	370,8	448,0	428,1	289,8	0,17	76,61	76,83	83,18	0,15	76,95	77,05	86,45
367,0	626,0	1,4	0,8	5,1	260,1	73,5	84,4	325,3	371,1	447,8	428,0	290,0	0,17	76,62	76,83	82,78	0,15	76,95	77,05	86,04
368,0	627,0	1,4	0,8	5,2	260,1	73,5	84,7	325,3	371,4	447,6	428,1	289,9	0,17	76,59	76,83	82,41	0,15	76,92	77,07	85,67
369,0	628,0	1,4	0,8	5,2	260,0	73,5	84,3	325,2	371,6	447,3	428,1	289,9	0,17	76,56	76,81	82,04	0,15	76,91	77,05	85,38
370,0	629,0	1,4	0,8	5,2	260,2	73,5	84,4	325,2	371,9	447,1	428,1	289,9	0,17	76,54	76,79	81,68	0,15	76,90	77,03	85,06
371,0	630,0	1,3	0,8	5,2	260,2	73,6	84,6	325,1	372,1	446,9	428,1	290,0	0,17	76,52	76,78	82,17	0,15	76,87	77,04	84,77
372,0	631,0	1,3	0,8	5,2	260,3	73,5	84,3	325,0	372,4	446,6	428,0	290,0	0,17	76,54	76,79	85,55	0,15	76,89	77,04	84,51
373,0	632,0	1,3	0,8	5,1	260,0	73,5	84,4	325,0	372,7	446,4	427,9	289,9	0,17	76,53	76,77	87,50	0,15	76,89	77,01	84,18
374,0	633,0	1,3	0,8	5,1	259,7	73,5	84,6	325,0	373,0	446,2	427,9	290,0	0,17	76,57	76,78	87,43	0,15	76,90	77,02	83,91
375,0	634,0	1,3	0,8	5,0	259,4	73,5	84,4	324,8	373,4	445,8	427,8	290,0	0,17	76,57	76,77	86,91	0,15	76,89	77,01	83,64
376,0	635,0	1,2	0,8	5,0	258,9	73,5	84,6	324,6	373,7	445,4	427,7	290,0	0,17	76,49	76,73	86,26	0,15	76,83	76,98	83,36
377,0	636,0	1,3	0,8	5,0	259,1	73,5	84,1	324,3	374,0	445,0	427,6	290,0	0,17	76,49	76,73	85,68	0,15	76,81	76,98	83,12
378,0	637,0	1,2	0,8	5,0	259,4	73,4	84,3	324,3	374,3	444,6	427,5	290,0	0,17	76,49	76,73	85,10	0,15	76,83	76,97	82,83
379,0	638,0	1,2	0,8	5,0	259,1	73,5	84,5	324,3	374,5	444,4	427,4	290,0	0,17	76,47	76,73	84,53	0,15	76,81	76,95	82,61
380,0	639,0	1,2	0,8	5,0	259,3	73,5	84,4	324,1	374,7	444,4	427,4	290,0	0,17	76,49	76,69	84,02	0,15	76,81	76,93	82,54
381,0	640,0	1,2	0,8	5,0	259,4	73,4	84,4	323,8	374,9	444,4	427,3	290,0	0,17	76,52	76,70	83,55	0,15	76,83	76,94	84,81
382,0	641,0	1,2	0,8	5,0	259,0	73,4	84,4	323,9	375,1	444,4	427,2	290,1	0,17	76,49	76,71	83,08	0,15	76,80	76,93	87,37
383,0	642,0	1,1	0,8	5,0	259,2	73,4	84,5	323,8	375,2	444,4	427,2	290,1	0,17	76,51	76,69	82,66	0,15	76,81	76,92	87,78
384,0	643,0	1,1	0,8	5,0	258,9	73,4	84,2	323,8	375,3	444,4	427,1	290,1	0,17	76,51	76,70	82,33	0,15	76,82	76,93	87,40
385,0	644,0	1,1	0,8	5,0	258,6	73,4	84,3	323,3	375,4	444,4	427,0	290,2	0,17	76,49	76,66	81,93	0,15	76,78	76,91	86,87
386,0	645,0	1,1	0,8	5,0	258,3	73,5	84,6	323,0	375,5	444,3	426,9	290,2	0,17	76,51	76,68	81,61	0,15	76,81	76,92	86,41
387,0	646,0	1,0	0,8	4,9	257,9	73,5	84,1	322,9	375,6	444,1	426,8	290,2	0,17	76,49	76,68	83,28	0,15	76,79	76,91	86,05
388,0	647,0	1,1	0,8	4,9	258,2	73,5	84,1	322,6	375,7	443,9	426,7	290,3	0,17	76,50	76,70	86,67	0,15	76,82	76,92	85,76
389,0	648,0	1,0	0,8	4,8	258,0	73,4	84,1	322,5	375,8	443,5	426,6	290,3	0,17	76,44	76,69	87,66	0,15	76,77	76,90	85,36
390,0	649,0	1,0	0,8	4,7	257,4	73,5	84,1	321,9	375,7	443,3	426,4	290,3	0,17	76,46	76,66	87,35	0,15	76,78	76,90	85,05
391,0	650,0	1,0	0,8	4,7	257,7	73,5	83,8	321,7	375,7	443,0	426,2	290,4	0,17	76,41	76,67	86,71	0,15	76,78	76,91	84,77
392,0	651,0	1,0	0,8	4,7	257,1	73,4	84,5	321,5	375,6	442,7	425,9	290,5	0,17	76,38	76,65	86,07	0,15	76,75	76,89	84,45
393,0	652,0	1,0	0,8	4,7	256,9	73,4	84,0	321,1	375,5	442,4	425,6	290,5	0,17	76,38	76,65	85,40	0,15	76,75	76,90	84,16
394,0	653,0	1,0	0,8	4,7	256,3	73,4	84,2	320,9	375,4	442,0	425,3	290,6	0,17	76,35	76,63	84,86	0,15	76,72	76,88	83,89
395,0	654,0	0,9	0,8	4,7	255,9	73,4	83,9	320,4	375,2	441,6	425,0	290,6	0,17	76,30	76,61	84,32	0,15	76,68	76,86	83,61
396,0	655,0	0,9	0,8	4,6	256,1	73,4	83,4	320,0	375,0	441,2	424,7	290,6	0,17	76,27	76,59	83,79	0,15	76,64	76,83	83,31
397,0	656,0	0,9	0,8	4,6	256,0	73,5	83,8	319,7	374,8	440,7	424,2	290,7	0,17	76,28	76,58	83,33	0,15	76,62	76,82	83,05
398,0	657,0	0,9	0,8	4,7	255,3	73,4	84,0	318,9	374,6	440,3	423,9	290,7	0,17	76,28	76,57	82,91	0,15	76,62	76,82	82,80
399,0	658,0	0,9	0,8	4,7	254,7	73,2	83,9	318,9	374,3	439,8	423,5	290,8	0,17	76,30	76,57	82,50	0,15	76,66	76,83	

426,0	685,0	0,5	0,7	4,4	246,8	73,9	85,4	308,2	366,2	428,6	408,8	290,3	0,17	77,18	76,77	85,21	0,15	77,36	77,00	87,02
427,0	686,0	0,4	0,7	4,4	246,8	73,9	85,2	307,7	365,8	428,1	408,2	290,2	0,17	77,12	76,77	84,74	0,15	77,33	77,02	86,63
428,0	687,0	0,4	0,7	4,4	246,3	73,9	85,1	307,4	365,5	427,6	407,6	290,2	0,17	77,07	76,78	84,30	0,15	77,32	77,03	86,28
429,0	688,0	0,4	0,7	4,3	246,5	73,8	85,0	306,8	365,2	427,2	406,9	290,0	0,17	77,04	76,76	83,89	0,15	77,29	77,04	85,92
430,0	689,0	0,4	0,7	4,3	246,1	73,8	84,7	306,4	364,9	426,7	406,2	289,9	0,17	77,02	76,76	83,51	0,15	77,28	77,04	85,59
431,0	690,0	0,4	0,7	4,3	245,6	73,8	84,7	305,6	364,6	426,4	405,5	289,8	0,17	76,97	76,75	83,14	0,15	77,28	77,05	85,28
432,0	691,0	0,4	0,7	4,3	245,3	73,8	84,5	305,4	364,2	425,9	404,7	289,8	0,17	76,96	76,76	82,75	0,15	77,23	77,03	85,02
433,0	692,0	0,3	0,7	4,3	245,3	73,7	84,6	305,1	363,8	425,5	404,1	289,6	0,17	76,94	76,75	82,43	0,15	77,24	77,04	84,73
434,0	693,0	0,3	0,7	4,3	245,1	73,7	84,3	304,5	363,5	425,1	403,3	289,5	0,17	76,92	76,75	82,10	0,15	77,21	77,03	84,48
435,0	694,0	0,3	0,7	4,3	244,5	73,7	84,3	303,8	363,2	424,7	402,6	289,3	0,17	76,84	76,74	81,79	0,15	77,15	77,02	84,14
436,0	695,0	0,3	0,7	4,3	244,2	73,7	84,1	303,6	362,9	424,3	401,9	289,2	0,17	76,83	76,71	81,51	0,15	77,13	77,01	83,85
437,0	696,0	0,3	0,7	4,3	243,8	73,7	83,9	302,9	362,4	423,9	401,2	289,0	0,17	76,80	76,73	83,58	0,15	77,14	77,02	83,56
438,0	697,0	0,2	0,7	4,3	243,3	73,6	83,9	302,8	362,1	423,4	400,4	288,8	0,17	76,81	76,74	86,94	0,15	77,12	77,00	83,31
439,0	698,0	0,2	0,7	4,3	243,3	73,7	84,1	302,3	361,7	423,1	399,8	288,6	0,17	76,82	76,72	87,75	0,15	77,14	76,98	83,05
440,0	699,0	0,2	0,7	4,3	243,4	73,6	84,1	301,9	361,3	422,6	399,1	288,4	0,17	76,76	76,70	87,38	0,15	77,09	76,97	82,78
441,0	700,0	0,2	0,7	4,3	242,8	73,6	84,1	301,6	361,0	422,3	398,5	288,3	0,17	76,75	76,70	86,77	0,15	77,10	76,96	82,53
442,0	701,0	0,2	0,7	4,3	242,3	73,6	83,7	300,7	360,7	421,9	397,9	288,1	0,17	76,74	76,71	86,11	0,15	77,10	76,96	83,63
443,0	702,0	0,2	0,7	4,3	241,9	73,6	83,9	300,8	360,3	421,7	397,2	287,9	0,17	76,73	76,71	85,48	0,15	77,10	76,95	86,51
444,0	703,0	0,2	0,7	4,2	241,7	73,6	83,5	300,1	360,0	421,5	396,6	287,7	0,17	76,74	76,71	84,87	0,15	77,08	76,94	87,94
445,0	704,0	0,2	0,7	4,2	241,1	73,5	84,0	299,9	359,6	421,2	396,0	287,6	0,17	76,72	76,71	84,32	0,15	77,06	76,93	87,85
446,0	705,0	0,1	0,7	4,2	241,1	73,4	83,9	299,2	359,2	420,5	395,4	287,4	0,17	76,68	76,68	83,79	0,15	77,02	76,91	87,39
447,0	706,0	0,1	0,7	4,2	241,1	73,5	83,6	298,9	358,9	419,8	394,8	287,2	0,17	76,65	76,67	83,33	0,15	77,00	76,90	86,93
448,0	707,0	0,0	0,7	4,2	240,8	73,5	83,6	298,6	358,7	419,0	394,2	287,1	0,17	76,61	76,65	82,90	0,15	76,97	76,89	86,45

Manufacturer: US STOVE
 Model: TR 007

Run: 2
 Project #: PI 20221
 Test Duration: 448 min

Note: In the "Input data", "Calc. % O₂", "Fuel Properties", and "Mass Balance" columns, [e], [d], [g], [a], [b], [c], [h], [u], [w], [j], and [k] refer to their respective variables in Clauses 13.7.3

Overall Heating Efficiency: 72,18%
 Combustion Efficiency: 95,66%
 Heat Transfer Efficiency: 75,45%

Air Fuel Ratio (A/F)	72,18%
Dry Molecular Weight (M _d)	95,66%
Dry Moles Exhaust Gas (N _d):	75,45%
Air Fuel Ratio (A/F)	

	HHV	LHV
Eff	72,18%	77,66%
Comb Eff	95,66%	95,66%
HT Eff	75,45%	81,19%
Output	22 562 kJ/h	
Burn Rate	1,55 kg/h	
Grams CO	733 g	
Input	31 259 kJ/h	
MC wet	19,93	

Ultimate CO₂
 CO₂-ult 19,86
 F₀ 1,050

Heat Output:	21 403 Btu/h	22 562 kJ/h
Heat Input:	29 653 Btu/h	31 259 kJ/h
Burn Duration:	7,47 h	
Burn Rate:	3,41 lb/h	1,547 kg/h
Stack Temp:	347,4 Deg. F	175,2 Deg. C

INPUT DATA		Oxygen Calculation					Input Data		Combust	Heat	Net	Air	Wet Wt	% Wet
Elapsed Time	Weight Remaining (kg)	% CO [e]	% CO ₂ [d]	Excess Air EA	Total O ₂	Calc. % O ₂ [g]	Flue Gas (°C)	Room Temp (°C)	Eff %	Transfer %	Eff %	Fuel Ratio	Now Wt	Consumed x
0,00	14,43	0,58	3,55	381,1%	20,72	16,88	148,3	22,5	89,5%	67,5%	60,5%	28,5	14,43	0,00
1,00	14,29	0,50	2,66	528,5%	20,77	17,86	185,6	22,5	88,5%	52,6%	46,5%	37,2	14,29	0,95
2,00	14,15	0,70	4,41	288,8%	20,66	15,90	200,8	22,4	89,5%	63,9%	57,2%	23,0	14,15	1,90
3,00	14,01	0,68	7,27	150,0%	20,51	12,90	271,9	22,4	93,4%	66,4%	62,0%	14,9	14,01	2,85
4,00	13,88	0,36	10,96	75,5%	20,33	9,19	314,5	22,5	97,5%	70,5%	68,7%	10,6	13,88	3,80
5,00	13,74	0,33	12,47	55,2%	20,25	7,61	317,6	22,5	98,0%	72,2%	70,8%	9,4	13,74	4,73
6,00	13,65	0,35	12,49	54,8%	20,24	7,58	317,1	22,5	97,9%	72,3%	70,8%	9,3	13,65	5,37
7,00	13,52	0,35	13,08	47,8%	20,21	6,95	318,9	22,5	97,9%	72,8%	71,3%	8,9	13,52	6,31
8,00	13,38	0,34	13,44	44,1%	20,19	6,58	311,4	22,5	98,0%	73,6%	72,2%	8,7	13,38	7,25
9,00	13,29	0,37	13,23	46,0%	20,20	6,79	297,3	22,5	97,9%	74,2%	72,6%	8,8	13,29	7,89
10,00	13,19	0,46	11,98	59,7%	20,27	8,06	295,5	22,6	97,1%	73,0%	70,9%	9,6	13,19	8,59
11,00	13,06	0,45	12,26	56,3%	20,25	7,77	297,5	22,6	97,2%	73,2%	71,2%	9,4	13,06	9,46
12,00	12,97	0,41	12,83	50,0%	20,22	7,18	300,1	22,7	97,6%	73,7%	71,9%	9,0	12,97	10,09
13,00	12,83	0,36	13,44	43,9%	20,19	6,57	297,4	22,6	97,9%	74,4%	72,9%	8,7	12,83	11,03
14,00	12,74	0,39	14,30	35,2%	20,14	5,65	283,1	22,6	97,9%	75,9%	74,3%	8,1	12,74	11,66
15,00	12,65	0,72	12,27	52,9%	20,24	7,60	272,2	22,7	95,5%	74,7%	71,4%	9,2	12,65	12,29
16,00	12,56	0,89	11,28	63,2%	20,28	8,55	267,8	22,7	94,1%	73,9%	69,5%	9,7	12,56	12,92
17,00	12,47	0,80	11,53	61,0%	20,27	8,34	267,4	22,7	94,8%	74,2%	70,3%	9,6	12,47	13,55
18,00	12,38	0,69	11,96	57,1%	20,25	7,95	268,8	22,8	95,7%	74,6%	71,4%	9,4	12,38	14,18
19,00	12,29	0,58	12,36	53,5%	20,24	7,59	270,5	22,8	96,4%	74,9%	72,2%	9,2	12,29	14,81
20,00	12,20	0,56	12,59	51,1%	20,23	7,36	271,9	22,9	96,6%	75,1%	72,5%	9,1	12,20	15,43
21,00	12,11	0,48	12,97	47,7%	20,21	7,00	273,2	22,8	97,1%	75,4%	73,2%	8,9	12,11	16,07
22,00	12,02	0,42	13,20	45,8%	20,20	6,79	273,9	22,8	97,5%	75,6%	73,7%	8,8	12,02	16,70
23,00	11,88	0,38	13,35	44,7%	20,20	6,66	275,0	22,7	97,8%	75,6%	74,0%	8,7	11,88	17,64
24,00	11,79	0,32	13,53	43,4%	20,19	6,50	276,1	22,8	98,2%	75,7%	74,4%	8,6	11,79	18,27
25,00	11,70	0,29	13,69	42,1%	20,18	6,35	276,9	22,8	98,4%	75,8%	74,6%	8,6	11,70	18,90
26,00	11,61	0,31	13,87	40,0%	20,17	6,14	277,6	22,8	98,3%	75,9%	74,6%	8,4	11,61	19,53
27,00	11,52	0,38	14,15	36,6%	20,15	5,80	281,5	22,8	97,9%	75,9%	74,3%	8,2	11,52	20,16
28,00	11,38	0,58	14,68	30,2%	20,11	5,14	282,7	22,8	96,9%	76,2%	73,9%	7,8	11,38	21,09
29,00	11,29	0,66	14,40	31,9%	20,12	5,39	281,9	22,8	96,4%	76,0%	73,3%	7,9	11,29	21,73
30,00	11,20	0,63	14,40	32,1%	20,12	5,41	281,4	22,8	96,6%	76,0%	73,5%	7,9	11,20	22,36
31,00	11,11	0,63	14,22	33,8%	20,13	5,60	281,2	22,8	96,6%	75,9%	73,3%	8,0	11,11	22,99
32,00	10,97	0,66	14,35	32,3%	20,13	5,44	282,1	22,9	96,4%	76,0%	73,2%	7,9	10,97	23,93
33,00	10,88	0,68	14,53	30,6%	20,12	5,25	283,6	22,9	96,4%	76,0%	73,3%	7,8	10,88	24,56
34,00	10,79	0,62	14,68	29,9%	20,11	5,12	284,5	22,9	96,7%	76,1%	73,6%	7,8	10,79	25,20
35,00	10,66	0,57	14,83	29,0%	20,11	4,99	285,6	23,0	97,0%	76,2%	73,9%	7,8	10,66	26,14
36,00	10,56	0,54	14,91	28,5%	20,10	4,92	286,2	22,9	97,2%	76,2%	74,0%	7,7	10,56	26,77
37,00	10,44	0,55	15,06	27,3%	20,09	4,76	287,7	23,0	97,1%	76,2%	74,0%	7,7	10,44	27,60
38,00	10,37	0,57	15,15	26,4%	20,09	4,66	288,5	23,0	97,1%	76,2%	74,0%	7,6	10,37	28,10
39,00	10,25	0,55	15,36	24,8%	20,08	4,44	289,9	23,0	97,2%	76,3%	74,2%	7,5	10,25	28,97
40,00	10,15	0,60	15,51	23,3%	20,07	4,26	290,8	23,1	96,9%	76,4%	74,0%	7,4	10,15	29,60
41,00	10,07	0,64	15,62	22,1%	20,06	4,12	292,6	23,1	96,8%	76,3%	73,9%	7,3	10,07	30,22
42,00	9,93	0,68	15,71	21,2%	20,05	4,01	293,7	23,1	96,6%	76,3%	73,7%	7,3	9,93	31,17
43,00	9,84	0,67	15,87	20,1%	20,04	3,84	295,1	23,1	96,7%	76,4%	73,8%	7,2	9,84	31,81
44,00	9,70	0,64	15,87	20,3%	20,04	3,86	296,4	23,2	96,8%	76,3%	73,9%	7,2	9,70	32,74
45,00	9,61	0,63	15,99	19,5%	20,04	3,74	296,5	23,1	96,9%	76,4%	74,0%	7,2	9,61	33,38
46,00	9,49	0,61	16,03	19,3%	20,04	3,70	297,6	23,1	97,0%	76,4%	74,1%	7,2	9,49	34,18
47,00	9,38	0,61	16,30	17,5%	20,02	3,42	299,1	23,2	97,1%	76,5%	74,2%	7,1	9,38	34,95
48,00	9,29	0,63	16,40	16,7%	20,02	3,30	299,7	23,2	97,0%	76,5%	74,2%	7,0	9,29	35,58
49,00	9,20	0,63	16,38	16,8%	20,02	3,32	300,3	23,2	97,0%	76,5%	74,1%	7,0	9,20	36,21
50,00	9,07	0,70	16,33	16,6%	20,02	3,33	300,3	23,2	97,0%	76,4%	73,8%	7,0	9,07	37,15
51,00	8,98	0,61	16,51	16,0%	20,01	3,19	299,7	23,3	97,1%	76,6%	74,3%	7,0	8,98	37,78
52,00	8,84	0,76	16,30	16,5%	20,02	3,34	299,8	23,3	96,4%	76,4%	73,6%	7,0	8,84	38,73
53,00	8,75	0,70	16,30	16,8%	20,02	3,37	300,9	23,4	96,6%	76,4%	73,8%	7,0	8,75	39,35
54,00	8,66	0,65	16,38	16,6%	20,02	3,31	300,8	23,3	96,9%	76,4%	74,0%	7,0	8,66	39,99

55,00	8,57	0,51	16,68	15,5%	20,01	3,07	301,1	23,3	97,6%	76,6%	74,8%	7,0	8,57	40,62
56,00	8,43	0,53	16,58	16,1%	20,01	3,17	301,2	23,4	97,4%	76,6%	74,6%	7,0	8,43	41,56
57,00	8,34	0,55	16,51	16,4%	20,01	3,22	301,1	23,4	97,3%	76,5%	74,5%	7,0	8,34	42,19
58,00	8,25	0,59	16,44	16,6%	20,02	3,28	300,4	23,3	97,2%	76,5%	74,3%	7,0	8,25	42,82
59,00	8,12	0,57	16,45	16,8%	20,02	3,29	299,8	23,4	97,3%	76,5%	74,5%	7,0	8,12	43,68
60,00	8,02	0,57	16,41	17,0%	20,02	3,32	299,0	23,5	97,3%	76,6%	74,5%	7,0	8,02	44,39
61,00	7,93	0,62	16,31	17,3%	20,02	3,40	298,8	23,5	97,0%	76,5%	74,2%	7,1	7,93	45,02
62,00	7,80	0,62	16,30	17,4%	20,02	3,41	298,8	23,5	97,0%	76,5%	74,2%	7,1	7,80	45,96
63,00	7,70	0,62	16,33	17,2%	20,02	3,38	298,1	23,5	97,0%	76,5%	74,2%	7,1	7,70	46,60
64,00	7,61	0,66	16,28	17,2%	20,02	3,41	298,1	23,6	96,8%	76,5%	74,1%	7,1	7,61	47,23
65,00	7,52	0,64	16,33	17,1%	20,02	3,37	297,1	23,7	96,9%	76,6%	74,2%	7,0	7,52	47,85
66,00	7,43	0,66	16,20	17,8%	20,03	3,50	296,1	23,6	96,8%	76,6%	74,1%	7,1	7,43	48,48
67,00	7,34	0,67	16,28	17,2%	20,02	3,41	296,4	23,7	96,8%	76,6%	74,1%	7,0	7,34	49,11
68,00	7,21	0,62	16,26	17,6%	20,02	3,45	296,1	23,6	97,0%	76,6%	74,3%	7,1	7,21	50,01
69,00	7,11	0,68	16,25	17,4%	20,02	3,44	296,1	23,7	96,7%	76,6%	74,1%	7,1	7,11	50,68
70,00	7,02	0,65	16,40	16,5%	20,02	3,29	296,1	23,7	96,9%	76,7%	74,3%	7,0	7,02	51,32
71,00	6,93	0,63	16,38	16,8%	20,02	3,32	296,6	23,7	96,9%	76,7%	74,3%	7,0	6,93	51,95
72,00	6,84	0,59	16,46	16,5%	20,02	3,26	296,8	23,7	97,2%	76,7%	74,5%	7,0	6,84	52,57
73,00	6,75	0,59	16,53	16,0%	20,01	3,19	296,6	23,8	97,2%	76,8%	74,6%	7,0	6,75	53,20
74,00	6,61	0,60	16,54	15,8%	20,01	3,16	295,6	23,7	97,1%	76,8%	74,6%	7,0	6,61	54,15
75,00	6,52	0,55	16,38	17,3%	20,02	3,37	293,7	23,7	97,3%	76,8%	74,8%	7,1	6,52	54,77
76,00	6,48	0,46	16,05	20,3%	20,04	3,76	291,7	23,9	97,7%	76,7%	75,0%	7,3	6,48	55,09
77,00	6,39	0,44	15,84	22,0%	20,06	4,00	290,5	23,7	97,8%	76,7%	75,0%	7,4	6,39	55,72
78,00	6,30	0,43	15,88	21,8%	20,06	3,96	289,5	23,6	97,9%	76,7%	75,1%	7,3	6,30	56,36
79,00	6,21	0,40	15,88	22,0%	20,06	3,97	288,4	23,5	98,0%	76,8%	75,3%	7,4	6,21	56,98
80,00	6,11	0,38	15,90	22,0%	20,06	3,97	288,0	23,6	98,1%	76,8%	75,4%	7,4	6,11	57,61
81,00	6,02	0,37	15,95	21,7%	20,06	3,92	287,8	23,5	98,1%	76,9%	75,5%	7,3	6,02	58,24
82,00	5,93	0,36	16,08	20,8%	20,05	3,79	288,4	23,6	98,3%	76,9%	75,6%	7,3	5,93	58,86
83,00	5,84	0,36	16,31	19,2%	20,04	3,55	288,7	23,6	98,3%	77,1%	75,7%	7,2	5,84	59,50
84,00	5,75	0,32	16,43	18,6%	20,03	3,45	287,9	23,5	98,3%	77,2%	76,0%	7,2	5,75	60,13
85,00	5,71	0,29	16,08	21,4%	20,05	3,83	285,6	23,6	98,6%	77,1%	76,0%	7,3	5,71	60,44
86,00	5,62	0,29	15,51	25,7%	20,08	4,43	283,2	23,6	98,5%	76,9%	75,7%	7,6	5,62	61,07
87,00	5,53	0,26	15,41	26,8%	20,09	4,55	282,6	23,5	98,7%	76,8%	75,8%	7,7	5,53	61,70
88,00	5,43	0,26	15,11	29,3%	20,11	4,87	279,2	23,6	98,7%	76,8%	75,8%	7,8	5,43	62,33
89,00	5,39	0,17	14,89	31,9%	20,12	5,15	277,9	23,6	99,2%	76,8%	76,1%	8,0	5,39	62,65
90,00	5,30	0,15	14,79	32,9%	20,13	5,26	276,2	23,5	99,3%	76,8%	76,2%	8,0	5,30	63,27
91,00	5,21	0,14	14,65	34,4%	20,14	5,42	274,2	23,6	99,3%	76,8%	76,3%	8,1	5,21	63,90
92,00	5,16	0,13	14,53	35,5%	20,15	5,55	272,3	23,7	99,4%	76,8%	76,3%	8,2	5,16	64,22
93,00	5,07	0,14	14,33	37,3%	20,16	5,75	270,8	23,7	99,3%	76,8%	76,2%	8,3	5,07	64,85
94,00	5,03	0,13	14,15	39,0%	20,17	5,95	269,3	23,6	99,3%	76,7%	76,2%	8,4	5,03	65,16
95,00	4,96	0,14	13,87	41,7%	20,18	6,24	266,5	23,7	99,3%	76,6%	76,1%	8,6	4,96	65,64
96,00	4,89	0,15	13,35	47,2%	20,21	6,79	262,3	23,6	99,2%	76,5%	75,9%	8,9	4,89	66,10
97,00	4,84	0,18	12,98	50,9%	20,23	7,15	259,1	23,6	99,0%	76,3%	75,6%	9,1	4,84	66,42
98,00	4,80	0,21	12,60	55,1%	20,25	7,54	256,4	23,7	98,8%	76,2%	75,3%	9,4	4,80	66,74
99,00	4,71	0,20	12,50	56,3%	20,25	7,65	253,8	23,6	98,9%	76,2%	75,4%	9,4	4,71	67,36
100,00	4,66	0,22	12,34	58,1%	20,26	7,81	251,5	23,6	98,7%	76,2%	75,2%	9,5	4,66	67,67
101,00	4,62	0,22	12,09	61,3%	20,27	8,07	248,6	23,6	98,7%	76,2%	75,2%	9,7	4,62	67,99
102,00	4,57	0,21	11,71	66,6%	20,29	8,47	245,1	23,5	98,7%	76,0%	75,1%	10,1	4,57	68,31
103,00	4,53	0,22	11,41	70,7%	20,31	8,79	242,6	23,6	98,6%	75,9%	74,9%	10,3	4,53	68,62
104,00	4,48	0,25	11,33	71,5%	20,31	8,85	240,0	23,5	98,4%	76,0%	74,8%	10,3	4,48	68,94
105,00	4,43	0,23	11,35	71,5%	20,31	8,85	238,5	23,5	98,6%	76,1%	75,0%	10,3	4,43	69,26
106,00	4,39	0,24	11,40	70,6%	20,31	8,79	237,0	23,5	98,5%	76,2%	75,1%	10,3	4,39	69,56
107,00	4,35	0,22	11,60	68,0%	20,30	8,59	235,8	23,6	98,6%	76,5%	75,5%	10,1	4,35	69,88
108,00	4,28	0,22	11,66	67,1%	20,30	8,52	235,2	23,5	98,6%	76,6%	75,6%	10,1	4,28	70,30
109,00	4,21	0,24	11,73	65,9%	20,29	8,44	234,7	23,5	98,5%	76,7%	75,5%	10,0	4,21	70,83
110,00	4,16	0,28	11,68	66,1%	20,29	8,47	233,8	23,6	98,2%	76,7%	75,3%	10,0	4,16	71,14
111,00	4,12	0,28	11,75	65,2%	20,29	8,40	232,8	23,6	98,2%	76,8%	75,5%	10,0	4,12	71,46
112,00	4,07	0,26	11,71	66,0%	20,29	8,45	232,1	23,5	98,4%	76,8%	75,6%	10,0	4,07	71,76
113,00	4,03	0,25	11,73	65,9%	20,29	8,44	231,1	23,6	98,5%	76,9%	75,8%	10,0	4,03	72,08
114,00	3,98	0,25	11,70	66,3%	20,29	8,47	230,7	23,6	98,4%	76,9%	75,7%	10,0	3,98	72,40
115,00	3,94	0,25	11,73	65,8%	20,29	8,44	230,0	23,5	98,4%	77,0%	75,8%	10,0	3,94	72,71
116,00	3,89	0,24	11,80	65,1%	20,29	8,37	229,3	23,5	98,6%	77,1%	76,0%	10,0	3,89	73,03
117,00	3,84	0,25	11,83	64,4%	20,29	8,33	228,9	23,5	98,5%	77,1%	76,0%	9,9	3,84	73,35
118,00	3,80	0,24	11,80	65,0%	20,29	8,37	228,3	23,4	98,5%	77,2%	76,0%	9,9	3,80	73,66
119,00	3,76	0,23	11,76	65,6%	20,29	8,41	227,9	23,4	98,6%	77,2%	76,1%	10,0	3,76	73,97
120,00	3,71	0,22	11,73	66,2%	20,29	8,45	227,8	23,4	98,7%	77,1%	76,1%	10,0	3,71	74,28
121,00	3,66	0,20	11,71	66,7%	20,29	8,48	228,0	23,4	98,8%	77,1%	76,2%	10,1	3,66	74,60
122,00	3,62	0,27	11,12	74,3%	20,32	9,06	226,9	23,4	98,2%	76,6%	75,2%	10,5	3,62	74,92
123,00	3,57	0,26	11,12	74,6%	20,32	9,08	226,7	23,4	98,3%	76,6%	75,3%	10,5	3,57	75,23
124,00	3,53	0,27	11,15	74,0%	20,32	9,04	226,0	23,4	98,3%	76,7%	75,4%	10,5	3,53	75,55
125,00	3,48	0,26	11,27	72,3%	20,31	8,92	225,7	23,4	98,3%	76,8%	75,5%	10,4	3,48	75,86
126,00	3,44	0,24	11,29	72,3%	20,32	8,91	224,6	23,4	98,5%	76,9%	75,7%	10,4	3,44	76,17
127,00	3,39	0,20	10,90	78,8%	20,34	9,33	221,7	23,4	98,7%	76,8%	75,8%	10,8	3,39	76,49
128,00	3,39	0,24	10,32	88,1%	20,37	9,93	217,8	23,5	98,4%	76,4%	75,2%	11,3	3,39	76,49
129,00	3,35	0,27	9,72	99,0%	20,40	10,55	214,7	23,1	98,1%	75,9%	74,4%	12,0	3,35	76,80
130,00	3,30	0,29	9,55	101,7%	20,41	10,71	212,3	23,4	97,8%	75,9%	74,2%	12,1	3,30	77,12

131,00	3,30	0,32	9,39	104,6%	20,41	10,87	209,9	23,4	97,5%	75,9%	74,0%	12,3	3,30	77,12
132,00	3,26	0,30	9,34	106,1%	20,42	10,93	208,6	23,4	97,7%	75,9%	74,2%	12,4	3,26	77,44
133,00	3,21	0,29	9,40	105,1%	20,41	10,87	207,6	23,4	97,9%	76,1%	74,4%	12,3	3,21	77,75
134,00	3,16	0,29	9,47	103,4%	20,41	10,79	206,2	23,4	97,8%	76,2%	74,6%	12,2	3,16	78,07
135,00	3,12	0,33	9,50	101,9%	20,41	10,74	205,3	23,4	97,5%	76,3%	74,4%	12,1	3,12	78,37
136,00	3,12	0,33	9,50	102,1%	20,41	10,74	204,6	23,3	97,5%	76,4%	74,5%	12,1	3,12	78,37
137,00	3,12	0,35	9,50	101,7%	20,41	10,73	203,8	23,3	97,4%	76,4%	74,4%	12,1	3,12	78,38
138,00	3,07	0,34	9,52	101,6%	20,41	10,72	202,7	23,3	97,4%	76,5%	74,6%	12,1	3,07	78,72
139,00	3,03	0,36	9,55	100,4%	20,40	10,67	201,9	23,4	97,3%	76,6%	74,6%	12,0	3,03	79,01
140,00	2,98	0,34	9,52	101,5%	20,41	10,72	200,5	23,3	97,4%	76,7%	74,7%	12,1	2,98	79,32
141,00	2,98	0,30	9,18	109,4%	20,43	11,09	198,3	23,3	97,7%	76,5%	74,7%	12,6	2,98	79,32
142,00	2,94	0,28	8,76	119,7%	20,45	11,55	195,4	23,4	97,8%	76,2%	74,5%	13,2	2,94	79,64
143,00	2,94	0,28	8,20	134,3%	20,48	12,14	193,4	23,4	97,7%	75,6%	73,8%	14,1	2,94	79,64
144,00	2,89	0,31	8,00	139,0%	20,49	12,33	191,5	23,4	97,3%	75,4%	73,4%	14,4	2,89	79,95
145,00	2,89	0,33	7,90	141,2%	20,49	12,43	189,9	23,4	97,1%	75,4%	73,2%	14,5	2,89	79,95
146,00	2,85	0,35	7,87	141,5%	20,49	12,45	188,7	23,4	96,8%	75,4%	73,0%	14,5	2,85	80,27
147,00	2,85	0,38	7,85	141,1%	20,49	12,45	187,2	23,4	96,5%	75,5%	72,9%	14,5	2,85	80,27
148,00	2,80	0,34	7,80	143,8%	20,50	12,52	186,3	23,4	96,9%	75,5%	73,2%	14,6	2,80	80,58
149,00	2,80	0,35	7,72	146,0%	20,50	12,61	185,0	23,4	96,8%	75,5%	73,1%	14,8	2,80	80,58
150,00	2,76	0,38	7,67	146,8%	20,50	12,64	184,1	23,4	96,6%	75,5%	72,9%	14,8	2,76	80,89
151,00	2,76	0,39	7,72	144,7%	20,50	12,58	183,4	23,4	96,4%	75,6%	72,9%	14,7	2,76	80,89
152,00	2,71	0,40	7,79	142,4%	20,50	12,50	182,2	23,5	96,3%	75,8%	73,1%	14,5	2,71	81,21
153,00	2,71	0,39	7,85	140,9%	20,49	12,44	181,5	23,3	96,5%	76,0%	73,3%	14,4	2,71	81,21
154,00	2,71	0,38	7,87	140,8%	20,49	12,43	180,8	23,4	96,6%	76,1%	73,5%	14,4	2,71	81,21
155,00	2,67	0,37	7,90	139,9%	20,49	12,40	180,1	23,5	96,6%	76,2%	73,7%	14,4	2,67	81,52
156,00	2,62	0,37	7,97	138,1%	20,49	12,33	179,6	23,5	96,7%	76,4%	73,8%	14,3	2,62	81,84
157,00	2,62	0,38	7,96	138,4%	20,49	12,34	178,9	23,4	96,6%	76,4%	73,8%	14,3	2,62	81,84
158,00	2,59	0,37	7,92	139,6%	20,49	12,39	177,6	23,4	96,7%	76,5%	74,0%	14,4	2,59	82,03
159,00	2,58	0,36	7,76	144,6%	20,50	12,56	176,6	23,4	96,7%	76,3%	73,8%	14,7	2,58	82,15
160,00	2,57	0,39	7,44	153,6%	20,52	12,88	175,1	23,4	96,3%	75,9%	73,1%	15,2	2,57	82,16
161,00	2,53	0,55	7,00	163,1%	20,53	13,25	173,0	23,4	94,5%	75,3%	71,2%	15,7	2,53	82,47
162,00	2,53	0,79	6,31	179,4%	20,55	13,84	171,1	23,4	91,3%	74,1%	67,6%	16,6	2,53	82,47
163,00	2,53	1,07	5,69	193,9%	20,57	14,35	169,3	23,3	87,5%	72,7%	63,6%	17,3	2,53	82,47
164,00	2,53	1,10	5,60	196,4%	20,58	14,43	167,8	23,3	87,1%	72,6%	63,2%	17,4	2,53	82,47
165,00	2,48	1,11	5,52	199,4%	20,58	14,50	166,2	23,4	86,8%	72,6%	63,0%	17,6	2,48	82,78
166,00	2,48	1,10	5,49	201,0%	20,58	14,54	164,5	23,3	86,9%	72,7%	63,1%	17,7	2,48	82,78
167,00	2,48	1,10	5,48	202,0%	20,58	14,56	163,2	23,3	86,9%	72,8%	63,2%	17,7	2,48	82,78
168,00	2,48	1,10	5,53	199,7%	20,58	14,50	162,0	23,4	87,0%	73,1%	63,5%	17,6	2,48	82,78
169,00	2,48	1,09	5,53	199,9%	20,58	14,50	160,8	23,3	87,1%	73,2%	63,7%	17,6	2,48	82,78
170,00	2,44	1,08	5,55	199,4%	20,58	14,49	159,6	23,3	87,2%	73,4%	64,0%	17,6	2,44	83,09
171,00	2,44	1,09	5,55	199,2%	20,58	14,48	158,8	23,3	87,1%	73,5%	64,0%	17,6	2,44	83,09
172,00	2,44	1,08	5,55	199,6%	20,58	14,49	157,8	23,2	87,2%	73,6%	64,2%	17,6	2,44	83,09
173,00	2,41	1,08	5,55	199,3%	20,58	14,49	156,6	23,4	87,2%	73,8%	64,3%	17,6	2,41	83,26
174,00	2,39	1,09	5,59	197,5%	20,58	14,44	156,2	23,4	87,2%	73,9%	64,4%	17,5	2,39	83,41
175,00	2,39	1,08	5,64	195,4%	20,58	14,39	154,9	23,3	87,3%	74,1%	64,7%	17,3	2,39	83,41
176,00	2,39	1,08	5,62	196,3%	20,58	14,41	154,5	23,3	87,3%	74,2%	64,8%	17,4	2,39	83,41
177,00	2,39	1,07	5,66	195,2%	20,58	14,38	153,8	23,3	87,5%	74,3%	65,0%	17,3	2,39	83,41
178,00	2,35	1,07	5,69	194,0%	20,57	14,35	153,0	23,3	87,6%	74,5%	65,2%	17,3	2,35	83,72
179,00	2,35	1,07	5,69	193,7%	20,57	14,35	152,4	23,3	87,5%	74,5%	65,2%	17,3	2,35	83,73
180,00	2,35	1,08	5,67	194,3%	20,57	14,36	151,7	23,4	87,5%	74,6%	65,2%	17,3	2,35	83,73
181,00	2,35	1,07	5,67	194,9%	20,57	14,37	151,2	23,3	87,5%	74,6%	65,3%	17,3	2,35	83,73
182,00	2,30	1,05	5,60	198,6%	20,58	14,45	150,3	23,3	87,6%	74,6%	65,3%	17,5	2,30	84,04
183,00	2,30	1,02	5,58	200,7%	20,58	14,49	149,9	23,4	87,9%	74,6%	65,6%	17,7	2,30	84,04
184,00	2,30	1,02	5,60	199,9%	20,58	14,47	149,3	23,3	87,9%	74,7%	65,7%	17,6	2,30	84,04
185,00	2,27	1,02	5,48	205,6%	20,59	14,60	148,9	23,3	87,7%	74,5%	65,4%	18,0	2,27	84,26
186,00	2,29	1,02	5,50	204,7%	20,59	14,58	148,4	23,3	87,7%	74,6%	65,4%	17,9	2,29	84,14
187,00	2,26	1,01	5,43	208,0%	20,59	14,65	147,4	23,2	87,7%	74,5%	65,4%	18,1	2,26	84,36
188,00	2,26	1,02	5,47	206,0%	20,59	14,61	146,7	23,3	87,6%	74,7%	65,5%	18,0	2,26	84,36
189,00	2,26	1,03	5,50	204,3%	20,59	14,57	146,0	23,2	87,7%	74,8%	65,6%	17,9	2,26	84,36
190,00	2,26	1,02	5,51	204,5%	20,59	14,57	145,5	23,2	87,8%	74,9%	65,8%	17,9	2,26	84,36
191,00	2,26	1,02	5,48	205,9%	20,59	14,60	145,2	23,3	87,7%	74,9%	65,7%	18,0	2,26	84,36
192,00	2,21	1,02	5,49	205,0%	20,59	14,58	144,7	23,3	87,8%	75,0%	65,8%	17,9	2,21	84,68
193,00	2,21	1,02	5,52	203,7%	20,59	14,56	144,0	23,2	87,7%	75,1%	65,9%	17,9	2,21	84,68
194,00	2,17	1,02	5,48	205,7%	20,59	14,60	143,2	23,3	87,7%	75,1%	65,9%	18,0	2,17	84,95
195,00	2,17	1,00	5,45	208,3%	20,59	14,65	142,7	23,2	87,9%	75,1%	66,0%	18,1	2,17	84,98
196,00	2,19	1,01	5,50	205,1%	20,59	14,58	142,5	23,2	87,8%	75,3%	66,1%	17,9	2,19	84,81
197,00	2,17	1,01	5,52	204,2%	20,59	14,56	142,1	23,2	87,8%	75,3%	66,2%	17,9	2,17	84,98
198,00	2,17	1,00	5,45	208,0%	20,59	14,64	141,3	23,3	87,8%	75,3%	66,1%	18,1	2,17	84,98
199,00	2,17	1,01	5,46	206,6%	20,59	14,62	140,9	23,2	87,7%	75,3%	66,1%	18,0	2,17	84,98
200,00	2,16	1,00	5,45	208,0%	20,59	14,64	140,7	23,2	87,9%	75,3%	66,2%	18,1	2,16	85,01
201,00	2,12	1,00	5,45	208,2%	20,59	14,64	140,4	23,1	87,8%	75,4%	66,2%	18,1	2,12	85,30
202,00	2,12	1,01	5,40	210,1%	20,59	14,69	140,0	23,2	87,7%	75,3%	66,0%	18,2	2,12	85,30
203,00	2,12	0,99	5,42	209,7%	20,59	14,68	139,8	23,2	87,9%	75,4%	66,2%	18,2	2,12	85,30
204,00	2,12	0,99	5,40	210,6%	20,59	14,69	139,1	23,2	87,8%	75,4%	66,3%	18,3	2,12	85,30
205,00	2,08	0,98	5,40	211,1%	20,59	14,70	138,8	23,2	87,9%	75,5%	66,4%	18,3	2,08	85,61
206,00	2,08	0,97	5,38	212,4%	20,60	14,72	138,5	23,1	88,0%	75,5%	66,4%	18,4	2,08	85,61

207,00	2,08	0,97	5,37	213,5%	20,60	14,75	138,0	23,0	88,1%	75,5%	66,5%	18,4	2,08	85,61
208,00	2,08	0,97	5,35	214,4%	20,60	14,76	137,6	23,1	88,0%	75,5%	66,5%	18,5	2,08	85,61
209,00	2,03	0,96	5,35	214,9%	20,60	14,77	137,2	23,1	88,1%	75,5%	66,6%	18,5	2,03	85,93
210,00	2,03	0,95	5,38	213,6%	20,60	14,74	136,8	23,1	88,2%	75,7%	66,7%	18,5	2,03	85,93
211,00	2,03	0,94	5,32	217,2%	20,60	14,81	136,5	23,1	88,2%	75,6%	66,7%	18,7	2,03	85,93
212,00	2,03	0,94	5,35	215,5%	20,60	14,78	136,1	23,1	88,3%	75,7%	66,8%	18,6	2,03	85,93
213,00	2,03	0,95	5,37	214,5%	20,60	14,76	135,8	23,1	88,3%	75,7%	66,9%	18,5	2,03	85,93
214,00	2,03	0,94	5,32	217,3%	20,60	14,81	135,1	23,0	88,3%	75,7%	66,8%	18,7	2,03	85,93
215,00	1,98	0,94	5,30	218,2%	20,60	14,83	135,2	23,1	88,2%	75,7%	66,8%	18,7	1,98	86,25
216,00	1,98	0,94	5,30	218,0%	20,60	14,83	134,8	23,0	88,2%	75,7%	66,8%	18,7	1,98	86,25
217,00	1,98	0,95	5,33	216,2%	20,60	14,79	134,6	23,1	88,2%	75,8%	66,9%	18,6	1,98	86,25
218,00	1,96	0,94	5,34	216,5%	20,60	14,79	134,2	23,0	88,3%	75,9%	67,0%	18,6	1,96	86,40
219,00	1,94	0,94	5,35	215,7%	20,60	14,78	133,9	23,1	88,3%	75,9%	67,1%	18,6	1,94	86,56
220,00	1,94	0,94	5,35	215,5%	20,60	14,77	133,8	23,0	88,3%	75,9%	67,0%	18,6	1,94	86,56
221,00	1,94	0,94	5,32	217,5%	20,60	14,81	133,7	23,0	88,3%	75,9%	67,0%	18,7	1,94	86,56
222,00	1,94	0,93	5,29	219,7%	20,60	14,85	133,3	23,0	88,4%	75,9%	67,0%	18,8	1,94	86,56
223,00	1,94	0,93	5,32	217,7%	20,60	14,82	133,0	23,0	88,3%	76,0%	67,1%	18,7	1,94	86,56
224,00	1,89	0,93	5,32	217,8%	20,60	14,82	132,4	23,1	88,4%	76,0%	67,2%	18,7	1,89	86,88
225,00	1,89	0,92	5,30	219,0%	20,60	14,84	132,4	23,1	88,4%	76,0%	67,2%	18,8	1,89	86,88
226,00	1,89	0,93	5,35	216,0%	20,60	14,78	132,2	23,1	88,4%	76,1%	67,3%	18,6	1,89	86,88
227,00	1,89	0,94	5,22	222,4%	20,61	14,92	132,0	22,9	88,1%	75,8%	66,8%	19,0	1,89	86,88
228,00	1,85	0,94	5,20	223,4%	20,61	14,93	132,0	23,1	88,1%	75,8%	66,8%	19,0	1,85	87,15
229,00	1,85	0,94	5,17	225,0%	20,61	14,97	131,5	23,1	88,0%	75,8%	66,7%	19,1	1,85	87,18
230,00	1,85	0,94	5,17	225,0%	20,61	14,97	131,2	23,2	88,0%	75,8%	66,7%	19,1	1,85	87,18
231,00	1,85	0,94	5,14	226,8%	20,61	15,00	131,1	23,2	87,9%	75,8%	66,6%	19,2	1,85	87,18
232,00	1,85	0,93	5,17	225,3%	20,61	14,97	130,6	23,1	88,1%	75,9%	66,9%	19,1	1,85	87,18
233,00	1,80	0,93	5,17	225,7%	20,61	14,97	130,4	23,1	88,1%	75,9%	66,9%	19,2	1,80	87,50
234,00	1,81	0,92	5,17	225,9%	20,61	14,98	130,0	23,1	88,2%	76,0%	67,0%	19,2	1,81	87,45
235,00	1,80	0,91	5,14	228,4%	20,61	15,02	130,1	23,1	88,3%	75,9%	67,0%	19,3	1,80	87,50
236,00	1,80	0,90	5,14	228,7%	20,61	15,02	130,1	23,1	88,3%	75,9%	67,1%	19,4	1,80	87,50
237,00	1,80	0,90	5,12	229,6%	20,61	15,04	129,6	23,1	88,3%	75,9%	67,1%	19,4	1,80	87,50
238,00	1,80	0,91	5,14	228,5%	20,61	15,02	129,6	23,1	88,3%	76,0%	67,1%	19,3	1,80	87,50
239,00	1,76	0,91	5,12	229,4%	20,61	15,04	129,4	23,1	88,3%	76,0%	67,1%	19,4	1,76	87,82
240,00	1,76	0,90	5,12	229,7%	20,61	15,04	129,1	23,1	88,3%	76,0%	67,1%	19,4	1,76	87,82
241,00	1,76	0,91	5,14	228,5%	20,61	15,02	128,9	23,2	88,3%	76,1%	67,2%	19,3	1,76	87,82
242,00	1,76	0,90	5,14	228,7%	20,61	15,02	128,6	23,3	88,3%	76,1%	67,3%	19,4	1,76	87,82
243,00	1,75	0,91	5,10	230,0%	20,61	15,05	128,3	23,4	88,2%	76,1%	67,1%	19,4	1,75	87,87
244,00	1,71	0,93	5,14	227,1%	20,61	15,01	127,6	23,5	88,0%	76,3%	67,1%	19,2	1,71	88,13
245,00	1,71	0,94	5,12	227,5%	20,61	15,02	127,3	23,6	87,9%	76,3%	67,0%	19,3	1,71	88,13
246,00	1,71	0,95	5,14	226,0%	20,61	14,99	126,9	23,7	87,8%	76,4%	67,0%	19,2	1,71	88,13
247,00	1,71	0,94	5,17	224,8%	20,61	14,97	126,8	23,5	88,0%	76,4%	67,2%	19,1	1,71	88,13
248,00	1,69	0,94	5,17	225,0%	20,61	14,97	127,2	23,6	88,0%	76,4%	67,2%	19,1	1,69	88,31
249,00	1,71	0,93	5,15	226,6%	20,61	14,99	126,8	23,6	88,1%	76,4%	67,3%	19,2	1,71	88,14
250,00	1,67	0,93	5,16	225,9%	20,61	14,98	127,0	23,6	88,1%	76,4%	67,3%	19,2	1,67	88,45
251,00	1,67	0,93	5,19	224,7%	20,61	14,96	126,6	23,6	88,1%	76,5%	67,4%	19,1	1,67	88,45
252,00	1,67	0,92	5,05	232,6%	20,62	15,10	126,4	23,5	88,0%	76,2%	67,1%	19,6	1,67	88,45
253,00	1,67	0,92	5,06	232,3%	20,62	15,10	126,5	23,6	88,0%	76,2%	67,1%	19,6	1,67	88,45
254,00	1,63	0,91	5,06	232,4%	20,62	15,10	126,2	23,6	88,1%	76,3%	67,2%	19,6	1,63	88,71
255,00	1,62	0,91	5,06	232,2%	20,62	15,09	126,3	23,6	88,1%	76,3%	67,2%	19,6	1,62	88,76
256,00	1,62	0,92	5,05	232,8%	20,62	15,11	126,4	23,5	88,0%	76,2%	67,1%	19,6	1,62	88,76
257,00	1,62	0,92	5,05	232,5%	20,62	15,10	126,2	23,6	88,0%	76,2%	67,1%	19,6	1,62	88,76
258,00	1,62	0,92	5,02	234,4%	20,62	15,14	125,9	23,6	88,0%	76,2%	67,0%	19,7	1,62	88,76
259,00	1,62	0,90	5,02	235,4%	20,62	15,15	126,0	23,6	88,1%	76,2%	67,1%	19,7	1,62	88,76
260,00	1,58	0,90	5,03	234,8%	20,62	15,13	125,6	23,6	88,2%	76,3%	67,3%	19,7	1,58	89,08
261,00	1,58	0,90	5,05	233,7%	20,62	15,11	125,4	23,5	88,3%	76,3%	67,4%	19,6	1,58	89,08
262,00	1,58	0,89	5,03	235,1%	20,62	15,14	125,6	23,4	88,3%	76,3%	67,3%	19,7	1,58	89,08
263,00	1,58	0,89	5,05	234,1%	20,62	15,12	125,4	23,5	88,3%	76,3%	67,4%	19,7	1,58	89,08
264,00	1,53	0,91	4,74	251,8%	20,63	15,44	124,8	23,4	87,6%	75,6%	66,2%	20,7	1,53	89,39
265,00	1,53	0,91	4,75	250,6%	20,63	15,42	124,8	23,4	87,5%	75,7%	66,2%	20,6	1,53	89,39
266,00	1,53	0,90	4,77	250,3%	20,63	15,41	124,6	23,4	87,7%	75,8%	#DIV/0!	20,6	1,53	89,39
267,00	1,53	0,90	4,79	249,5%	20,63	15,40	124,3	23,5	87,8%	75,8%	66,6%	20,6	1,53	89,39
268,00	1,53	0,89	4,81	248,8%	20,63	15,38	124,2	23,5	87,9%	75,9%	66,7%	20,5	1,53	89,39
269,00	1,53	0,87	4,76	252,8%	20,63	15,44	124,1	23,5	88,0%	75,8%	66,7%	20,8	1,53	89,39
270,00	1,49	0,87	4,75	253,4%	20,64	15,45	124,1	23,4	88,1%	75,8%	66,7%	20,8	1,49	89,70
271,00	1,49	0,86	4,76	253,7%	20,64	15,45	123,9	23,5	88,2%	75,8%	66,8%	20,8	1,49	89,70
272,00	1,49	0,86	4,72	256,0%	20,64	15,49	123,6	23,5	88,1%	75,8%	66,8%	21,0	1,49	89,70
273,00	1,49	0,86	4,74	254,9%	20,64	15,47	123,2	23,5	88,1%	75,9%	66,9%	20,9	1,49	89,70
274,00	1,49	0,86	4,76	253,7%	20,64	15,45	123,2	23,4	88,2%	75,9%	66,9%	20,8	1,49	89,70
275,00	1,49	0,86	4,74	254,9%	20,64	15,47	122,9	23,4	88,2%	75,9%	66,9%	20,9	1,49	89,70
276,00	1,44	0,85	4,72	256,0%	20,64	15,49	122,6	23,4	88,1%	75,9%	66,9%	21,0	1,44	90,02
277,00	1,44	0,85	4,67	259,4%	20,64	15,54	122,6	23,4	88,1%	75,8%	66,7%	21,2	1,44	90,02
278,00	1,44	0,85	4,72	256,2%	20,64	15,49	122,3	23,4	88,2%	76,0%	67,0%	21,0	1,44	90,02
279,00	1,44	0,85	4,72	256,4%	20,64	15,49	122,0	23,4	88,2%	76,0%	67,0%	21,0	1,44	90,02
280,00	1,44	0,84	4,72	256,7%	20,64	15,49	121,7	23,4	88,3%	76,0%	67,1%	21,0	1,44	90,02
281,00	1,44	0,84	4,72	256,9%	20,64	15,49	121,5	23,4	88,3%	76,1%	67,2%	21,0	1,44	90,02
282,00	1,39	0,84	4,71	258,0%	20,64	15,51	121,6	23,4	88,3%	76,0%	67,1%	21,1	1,39	90,33

283,00	1,39	0,84	4,69	259,1%	20,64	15,53	121,4	23,4	88,3%	76,0%	67,1%	21,2	1,39	90,33
284,00	1,39	0,85	4,72	256,5%	20,64	15,49	121,4	23,4	88,2%	76,1%	67,1%	21,0	1,39	90,33
285,00	1,39	0,84	4,71	258,0%	20,64	15,51	121,3	23,4	88,3%	76,0%	67,1%	21,1	1,39	90,33
286,00	1,39	0,84	4,76	254,7%	20,64	15,46	121,2	23,4	88,4%	76,2%	67,3%	20,9	1,39	90,33
287,00	1,39	0,84	4,77	253,6%	20,64	15,44	121,2	23,4	88,4%	76,2%	67,4%	20,8	1,39	90,34
288,00	1,35	0,84	4,82	250,4%	20,63	15,39	121,1	23,4	88,5%	76,4%	67,6%	20,6	1,35	90,65
289,00	1,35	0,84	4,83	250,3%	20,63	15,39	121,1	23,3	88,5%	76,4%	67,6%	20,6	1,35	90,65
290,00	1,35	0,83	4,87	248,6%	20,63	15,35	121,1	23,4	88,8%	76,5%	67,9%	20,6	1,35	90,65
291,00	1,35	0,82	4,87	249,1%	20,63	15,35	121,1	23,3	88,9%	76,5%	68,0%	20,6	1,35	90,65
292,00	1,35	0,84	4,89	246,8%	20,63	15,32	121,1	23,3	88,7%	76,5%	67,8%	20,4	1,35	90,65
293,00	1,30	0,85	4,89	246,0%	20,63	15,31	121,4	23,2	88,5%	76,5%	67,7%	20,4	1,30	90,97
294,00	1,30	0,86	4,89	245,6%	20,63	15,31	121,4	23,3	88,4%	76,5%	67,6%	20,4	1,30	90,97
295,00	1,30	0,86	4,89	245,4%	20,63	15,31	121,5	23,2	88,4%	76,4%	67,6%	20,3	1,30	90,97
296,00	1,30	0,87	4,91	244,0%	20,63	15,29	121,6	23,3	88,3%	76,5%	67,5%	20,3	1,30	90,97
297,00	1,26	0,88	4,95	240,9%	20,62	15,24	122,0	23,3	88,3%	76,5%	67,6%	20,1	1,26	91,28
298,00	1,26	0,88	4,96	240,3%	20,62	15,23	121,8	23,2	88,3%	76,5%	67,6%	20,0	1,26	91,28
299,00	1,26	0,88	4,97	239,4%	20,62	15,21	122,0	23,2	88,3%	76,5%	67,6%	20,0	1,26	91,28
300,00	1,26	0,88	4,99	238,2%	20,62	15,19	122,0	23,3	88,3%	76,6%	67,6%	19,9	1,26	91,28
301,00	1,26	0,89	5,00	236,8%	20,62	15,17	122,2	23,3	88,2%	76,6%	67,6%	19,8	1,26	91,28
302,00	1,26	0,90	5,02	235,5%	20,62	15,15	122,3	23,2	88,2%	76,6%	67,6%	19,8	1,26	91,28
303,00	1,26	0,91	5,05	233,3%	20,62	15,11	122,5	23,3	88,2%	76,7%	67,6%	19,6	1,26	91,28
304,00	1,21	0,91	5,07	232,3%	20,62	15,09	122,8	23,3	88,2%	76,7%	67,6%	19,6	1,21	91,59
305,00	1,21	0,91	5,12	229,4%	20,61	15,04	122,9	23,3	88,2%	76,8%	67,7%	19,4	1,21	91,59
306,00	1,17	0,91	5,10	230,6%	20,61	15,06	123,0	23,3	88,3%	76,7%	67,7%	19,5	1,17	91,91
307,00	1,21	0,90	5,09	231,7%	20,62	15,08	123,0	23,2	88,3%	76,7%	67,7%	19,5	1,21	91,59
308,00	1,17	0,89	5,12	230,4%	20,61	15,05	123,3	23,3	88,5%	76,7%	67,9%	19,5	1,17	91,91
309,00	1,17	0,89	5,15	228,6%	20,61	15,01	123,3	23,2	88,5%	76,8%	68,0%	19,4	1,17	91,91
310,00	1,17	0,89	5,17	228,0%	20,61	15,00	123,6	23,3	88,6%	76,8%	68,1%	19,3	1,17	91,91
311,00	1,17	0,88	5,17	228,1%	20,61	15,00	123,6	23,3	88,6%	76,8%	68,1%	19,3	1,17	91,91
312,00	1,12	0,89	5,22	225,1%	20,61	14,94	123,7	23,2	88,6%	76,9%	68,2%	19,2	1,12	92,22
313,00	1,12	0,89	5,24	224,3%	20,61	14,93	123,6	23,2	88,7%	76,9%	68,3%	19,1	1,12	92,22
314,00	1,12	0,89	5,25	223,7%	20,61	14,91	123,7	23,2	88,8%	77,0%	68,3%	19,1	1,12	92,22
315,00	1,12	0,88	5,27	223,0%	20,61	14,90	123,7	23,2	88,8%	77,0%	68,4%	19,0	1,12	92,22
316,00	1,12	0,88	5,28	222,3%	20,61	14,88	124,2	23,2	88,9%	77,0%	68,4%	19,0	1,12	92,22
317,00	1,08	0,87	5,27	223,5%	20,61	14,90	124,3	23,2	89,0%	76,9%	68,4%	19,1	1,08	92,54
318,00	1,08	0,87	5,27	223,7%	20,61	14,90	124,2	23,2	89,0%	77,0%	68,5%	19,1	1,08	92,54
319,00	1,08	0,87	5,30	222,0%	20,61	14,87	124,4	23,2	89,1%	77,0%	68,6%	19,0	1,08	92,54
320,00	1,08	0,89	5,30	220,9%	20,60	14,86	124,5	23,2	88,8%	77,0%	68,4%	18,9	1,08	92,54
321,00	1,08	0,89	5,32	220,0%	20,60	14,84	124,9	23,2	88,8%	77,0%	68,4%	18,9	1,08	92,54
322,00	1,03	0,88	5,28	222,2%	20,61	14,88	125,2	23,2	88,9%	76,9%	68,3%	19,0	1,03	92,85
323,00	1,03	0,92	5,30	219,5%	20,60	14,84	125,1	23,2	88,5%	76,9%	68,0%	18,8	1,03	92,85
324,00	1,03	0,91	5,32	219,0%	20,60	14,83	125,1	23,2	88,6%	76,9%	68,2%	18,8	1,03	92,85
325,00	1,03	0,91	5,27	221,5%	20,61	14,88	125,2	23,2	88,5%	76,8%	68,0%	18,9	1,03	92,85
326,00	0,99	0,90	5,28	221,2%	20,60	14,87	125,2	23,2	88,7%	76,8%	68,1%	18,9	0,99	93,14
327,00	0,99	0,88	5,25	224,0%	20,61	14,92	125,4	23,2	88,9%	76,8%	68,2%	19,1	0,99	93,17
328,00	0,99	0,88	5,27	223,1%	20,61	14,90	125,5	23,2	88,9%	76,8%	68,2%	19,0	0,99	93,17
329,00	0,99	0,87	5,28	222,5%	20,61	14,88	125,8	23,2	89,0%	76,8%	68,3%	19,0	0,99	93,17
330,00	0,99	0,87	5,25	224,7%	20,61	14,92	125,9	23,2	89,0%	76,7%	68,3%	19,1	0,99	93,17
331,00	0,94	0,86	5,27	224,0%	20,61	14,91	126,1	23,2	89,1%	76,7%	68,3%	19,1	0,94	93,49
332,00	0,94	0,86	5,27	224,3%	20,61	14,91	125,9	23,2	89,1%	76,8%	68,4%	19,1	0,94	93,49
333,00	0,94	0,85	5,25	225,7%	20,61	14,93	125,9	23,2	89,2%	76,7%	68,4%	19,2	0,94	93,49
334,00	0,94	0,85	5,27	224,9%	20,61	14,92	126,0	23,2	89,3%	76,7%	68,5%	19,2	0,94	93,49
335,00	0,94	0,85	5,27	224,9%	20,61	14,92	126,1	23,2	89,3%	76,7%	68,5%	19,2	0,94	93,49
336,00	0,90	0,84	5,30	223,3%	20,61	14,88	126,2	23,2	89,3%	76,8%	68,6%	19,1	0,90	93,73
337,00	0,90	0,84	5,30	223,5%	20,61	14,89	126,1	23,2	89,4%	76,8%	68,7%	19,1	0,90	93,79
338,00	0,90	0,84	5,32	222,7%	20,61	14,87	126,3	23,2	89,4%	76,8%	68,7%	19,0	0,90	93,79
339,00	0,90	0,85	5,35	220,6%	20,60	14,83	126,2	23,2	89,4%	76,9%	68,7%	18,9	0,90	93,79
340,00	0,90	0,85	5,37	219,4%	20,60	14,81	126,4	23,2	89,4%	76,9%	68,7%	18,9	0,90	93,79
341,00	0,87	0,85	5,37	219,3%	20,60	14,81	126,8	23,2	89,3%	76,9%	68,7%	18,8	0,87	93,95
342,00	0,85	0,85	5,40	217,7%	20,60	14,78	127,0	23,2	89,4%	76,9%	68,7%	18,7	0,85	94,11
343,00	0,85	0,86	5,38	218,4%	20,60	14,79	127,1	23,2	89,3%	76,9%	68,7%	18,8	0,85	94,11
344,00	0,85	0,86	5,39	217,7%	20,60	14,78	127,0	23,2	89,3%	76,9%	68,7%	18,7	0,85	94,11
345,00	0,85	0,88	5,28	222,4%	20,61	14,88	127,1	23,2	88,9%	76,6%	68,1%	19,0	0,85	94,11
346,00	0,84	0,90	5,18	226,6%	20,61	14,98	127,0	23,2	88,5%	76,4%	67,6%	19,2	0,84	94,19
347,00	0,80	0,89	5,18	227,5%	20,61	14,99	127,2	23,2	88,6%	76,4%	67,7%	19,3	0,80	94,42
348,00	0,80	0,88	5,18	228,0%	20,61	14,99	127,1	23,2	88,7%	76,4%	67,8%	19,3	0,80	94,42
349,00	0,80	0,86	5,21	226,8%	20,61	14,97	126,8	23,2	88,9%	76,5%	68,1%	19,3	0,80	94,42
350,00	0,80	0,85	5,19	228,6%	20,61	14,99	127,1	23,1	89,1%	76,4%	68,1%	19,4	0,80	94,42
351,00	0,79	0,84	5,20	229,2%	20,61	15,00	126,9	23,2	89,2%	76,5%	68,2%	19,4	0,79	94,55
352,00	0,80	0,83	5,20	229,2%	20,61	14,99	127,4	23,2	89,3%	76,4%	68,3%	19,4	0,80	94,44
353,00	0,76	0,82	5,20	230,1%	20,61	15,01	127,1	23,1	89,4%	76,5%	68,4%	19,5	0,76	94,74
354,00	0,76	0,83	5,25	227,0%	20,61	14,95	127,1	23,1	89,4%	76,6%	68,5%	19,3	0,76	94,74
355,00	0,72	0,83	5,21	228,8%	20,61	14,98	127,3	23,1	89,4%	76,5%	68,3%	19,4	0,72	94,99
356,00	0,75	0,84	5,22	228,2%	20,61	14,98	127,2	23,1	89,3%	76,5%	68,3%	19,4	0,75	94,80
357,00	0,71	0,84	5,20	229,2%	20,61	15,00	127,3	23,1	89,3%	76,4%	68,2%	19,4	0,71	95,06
358,00	0,71	0,83	5,22	228,5%	20,61	14,98	127,2	23,1	89,3%	76,5%	68,3%	19,4	0,71	95,06

359,00	0,71	0,83	5,22	228,7%	20,61	14,98	127,1	23,1	89,4%	76,5%	68,4%	19,4	0,71	95,06
360,00	0,71	0,82	5,21	229,0%	20,61	14,99	127,0	23,1	89,4%	76,5%	68,4%	19,4	0,71	95,06
361,00	0,69	0,82	5,21	229,2%	20,61	14,99	127,2	23,1	89,5%	76,5%	68,4%	19,4	0,69	95,20
362,00	0,67	0,82	5,21	229,3%	20,61	14,99	127,6	23,1	89,5%	76,4%	68,4%	19,4	0,67	95,37
363,00	0,67	0,82	5,20	230,3%	20,61	15,01	127,1	23,1	89,5%	76,5%	68,4%	19,5	0,67	95,37
364,00	0,67	0,83	5,18	230,2%	20,61	15,01	127,1	23,1	89,3%	76,4%	68,2%	19,5	0,67	95,37
365,00	0,62	0,82	5,17	231,7%	20,62	15,04	127,0	23,1	89,4%	76,4%	68,3%	19,6	0,62	95,67
366,00	0,66	0,81	5,18	231,7%	20,62	15,03	127,0	23,1	89,6%	76,4%	68,5%	19,6	0,66	95,41
367,00	0,62	0,81	5,15	233,5%	20,62	15,06	126,7	23,1	89,5%	76,4%	68,4%	19,7	0,62	95,69
368,00	0,62	0,80	5,18	231,9%	20,62	15,03	126,7	23,1	89,6%	76,5%	68,5%	19,6	0,62	95,69
369,00	0,62	0,80	5,16	233,3%	20,62	15,05	126,7	23,1	89,7%	76,4%	68,6%	19,7	0,62	95,69
370,00	0,62	0,79	5,16	233,7%	20,62	15,06	126,8	23,1	89,8%	76,4%	68,6%	19,7	0,62	95,69
371,00	0,60	0,79	5,22	230,9%	20,61	15,00	126,8	23,1	89,9%	76,6%	68,8%	19,6	0,60	95,87
372,00	0,58	0,78	5,18	232,9%	20,62	15,04	126,8	23,1	89,9%	76,5%	68,7%	19,7	0,58	95,99
373,00	0,58	0,80	5,08	237,4%	20,62	15,14	126,6	23,0	89,5%	76,3%	68,2%	19,9	0,58	95,99
374,00	0,58	0,80	5,08	237,7%	20,62	15,14	126,5	23,1	89,5%	76,3%	68,3%	19,9	0,58	95,99
375,00	0,58	0,80	5,04	240,3%	20,62	15,19	126,3	23,0	89,4%	76,2%	68,1%	20,1	0,58	95,99
376,00	0,53	0,82	4,98	242,5%	20,63	15,24	126,1	23,1	89,0%	76,1%	67,7%	20,2	0,53	96,31
377,00	0,58	0,80	4,97	244,3%	20,63	15,26	126,2	23,1	89,3%	76,1%	67,9%	20,3	0,58	95,99
378,00	0,53	0,78	4,97	245,3%	20,63	15,27	126,3	23,0	89,5%	76,0%	68,1%	20,4	0,53	96,31
379,00	0,53	0,78	4,99	244,5%	20,63	15,25	126,2	23,1	89,6%	76,1%	68,2%	20,3	0,53	96,31
380,00	0,53	0,81	4,99	242,7%	20,63	15,23	126,3	23,0	89,2%	76,1%	67,8%	20,2	0,53	96,31
381,00	0,53	0,81	5,00	241,5%	20,62	15,22	126,3	23,0	89,2%	76,1%	67,9%	20,2	0,53	96,31
382,00	0,53	0,81	5,02	240,9%	20,62	15,20	126,1	23,0	89,3%	76,2%	68,0%	20,1	0,53	96,31
383,00	0,49	0,81	5,02	240,9%	20,62	15,20	126,2	23,0	89,3%	76,1%	68,0%	20,1	0,49	96,63
384,00	0,49	0,80	4,98	243,3%	20,63	15,24	126,1	23,0	89,3%	76,1%	67,9%	20,3	0,49	96,63
385,00	0,49	0,79	5,00	242,8%	20,63	15,23	125,9	23,0	89,4%	76,2%	68,1%	20,2	0,49	96,63
386,00	0,49	0,79	5,00	243,2%	20,63	15,23	125,7	23,0	89,5%	76,2%	68,2%	20,3	0,49	96,63
387,00	0,44	0,78	4,92	248,4%	20,63	15,32	125,5	23,0	89,4%	76,0%	67,9%	20,6	0,44	96,94
388,00	0,49	0,78	4,89	250,4%	20,63	15,36	125,7	23,0	89,4%	75,9%	67,8%	20,7	0,49	96,63
389,00	0,44	0,81	4,77	255,7%	20,64	15,46	125,6	23,0	88,8%	75,6%	67,1%	21,0	0,44	96,94
390,00	0,44	0,80	4,74	258,8%	20,64	15,50	125,2	23,0	88,9%	75,6%	67,2%	21,2	0,44	96,94
391,00	0,44	0,80	4,71	260,9%	20,64	15,54	125,4	23,0	88,8%	75,5%	67,1%	21,3	0,44	96,94
392,00	0,44	0,80	4,66	263,7%	20,64	15,58	125,0	23,0	88,6%	75,4%	66,8%	21,4	0,44	96,94
393,00	0,44	0,80	4,67	262,8%	20,64	15,57	124,9	23,0	88,7%	75,5%	66,9%	21,4	0,44	96,95
394,00	0,44	0,79	4,66	264,6%	20,64	15,59	124,6	23,0	88,8%	75,4%	67,0%	21,5	0,44	96,94
395,00	0,40	0,79	4,66	265,0%	20,64	15,60	124,4	23,0	88,9%	75,5%	67,1%	21,5	0,40	97,26
396,00	0,40	0,78	4,64	266,3%	20,65	15,61	124,5	23,0	88,9%	75,4%	67,1%	21,6	0,40	97,26
397,00	0,40	0,77	4,64	266,7%	20,65	15,62	124,4	23,0	89,0%	75,4%	67,1%	21,6	0,40	97,26
398,00	0,40	0,77	4,66	265,9%	20,65	15,60	124,0	23,0	89,1%	75,5%	67,3%	21,6	0,40	97,26
399,00	0,40	0,77	4,66	266,1%	20,65	15,60	123,7	22,9	89,1%	75,6%	67,3%	21,6	0,40	97,26
400,00	0,35	0,77	4,67	265,0%	20,64	15,59	123,8	23,0	89,2%	75,6%	67,4%	21,5	0,35	97,57
401,00	0,35	0,78	4,56	271,7%	20,65	15,70	123,7	23,0	88,7%	75,3%	66,8%	21,9	0,35	97,57
402,00	0,35	0,79	4,58	270,0%	20,65	15,68	123,4	23,0	88,6%	75,4%	66,8%	21,8	0,35	97,57
403,00	0,35	0,79	4,56	271,2%	20,65	15,69	123,2	23,0	88,6%	75,4%	66,8%	21,9	0,35	97,57
404,00	0,35	0,79	4,54	272,7%	20,65	15,71	122,9	22,9	88,6%	75,4%	66,8%	22,0	0,35	97,57
405,00	0,32	0,79	4,56	271,3%	20,65	15,70	122,8	23,0	88,6%	75,4%	66,9%	21,9	0,32	97,76
406,00	0,32	0,79	4,56	271,5%	20,65	15,70	122,6	23,0	88,7%	75,5%	66,9%	21,9	0,32	97,80
407,00	0,30	0,79	4,56	271,5%	20,65	15,70	122,6	23,0	88,7%	75,4%	66,9%	21,9	0,30	97,89
408,00	0,30	0,78	4,56	271,7%	20,65	15,70	122,4	22,9	88,7%	75,5%	67,0%	21,9	0,30	97,89
409,00	0,30	0,78	4,56	271,7%	20,65	15,70	122,1	22,9	88,7%	75,5%	67,0%	21,9	0,30	97,89
410,00	0,30	0,78	4,59	269,5%	20,65	15,66	121,9	22,9	88,8%	75,6%	67,2%	21,8	0,30	97,89
411,00	0,30	0,77	4,54	273,7%	20,65	15,72	121,9	22,9	88,8%	75,5%	67,1%	22,0	0,30	97,89
412,00	0,26	0,76	4,49	278,1%	20,66	15,78	121,8	23,0	88,9%	75,4%	67,0%	22,3	0,26	98,20
413,00	0,28	0,76	4,47	279,7%	20,66	15,80	121,3	23,1	88,9%	75,4%	67,0%	22,4	0,28	98,08
414,00	0,26	0,76	4,49	278,5%	20,66	15,79	120,9	23,2	88,9%	75,5%	67,2%	22,3	0,26	98,20
415,00	0,26	0,75	4,49	278,9%	20,66	15,79	120,8	23,3	89,0%	75,6%	67,2%	22,4	0,26	98,20
416,00	0,26	0,75	4,53	276,2%	20,65	15,75	120,7	23,3	89,0%	75,7%	67,4%	22,2	0,26	98,20
417,00	0,26	0,75	4,51	277,6%	20,65	15,77	120,3	23,3	89,0%	75,7%	67,4%	22,3	0,26	98,20
418,00	0,26	0,74	4,45	282,5%	20,66	15,84	120,2	23,4	89,0%	75,6%	67,3%	22,6	0,26	98,21
419,00	0,21	0,74	4,43	284,3%	20,66	15,86	120,2	23,4	89,1%	75,5%	67,3%	22,7	0,21	98,51
420,00	0,21	0,73	4,41	286,7%	20,66	15,89	120,0	23,3	89,1%	75,5%	67,3%	22,8	0,21	98,51
421,00	0,21	0,73	4,41	286,3%	20,66	15,88	120,1	23,4	89,2%	75,5%	67,3%	22,8	0,21	98,51
422,00	0,21	0,73	4,42	285,7%	20,66	15,88	120,0	23,3	89,2%	75,5%	67,3%	22,8	0,21	98,51
423,00	0,21	0,72	4,39	288,7%	20,66	15,91	119,8	23,3	89,2%	75,4%	67,3%	22,9	0,21	98,51
424,00	0,21	0,72	4,39	288,7%	20,66	15,91	119,8	23,3	89,2%	75,4%	67,3%	23,0	0,21	98,51
425,00	0,17	0,73	4,39	287,9%	20,66	15,90	119,6	23,3	89,1%	75,5%	67,3%	22,9	0,17	98,81
426,00	0,21	0,72	4,39	288,6%	20,66	15,91	119,4	23,3	89,2%	75,5%	67,3%	22,9	0,21	98,51
427,00	0,17	0,72	4,39	288,4%	20,66	15,91	119,3	23,3	89,2%	75,5%	67,3%	22,9	0,17	98,83
428,00	0,17	0,74	4,37	288,3%	20,66	15,92	119,1	23,3	88,9%	75,5%	67,1%	22,9	0,17	98,83
429,00	0,17	0,75	4,31	293,0%	20,67	15,99	119,2	23,2	88,6%	75,3%	66,7%	23,2	0,17	98,83
430,00	0,17	0,74	4,30	294,2%	20,67	16,00	119,0	23,2	88,6%	75,3%	66,8%	23,3	0,17	98,83
431,00	0,17	0,73	4,28	296,6%	20,67	16,02	118,7	23,2	88,9%	75,3%	66,9%	23,4	0,17	98,83
432,00	0,17	0,72	4,28	296,9%	20,67	16,03	118,5	23,2	88,9%	75,3%	67,0%	23,4	0,17	98,84
433,00	0,15	0,72	4,29	296,5%	20,67	16,02	118,5	23,2	89,1%	75,3%	67,1%	23,4	0,15	98,96
434,00	0,12	0,71	4,30	296,7%	20,67	16,02	118,4	23,2	89,2%	75,4%	67,2%	23,4	0,12	99,14

435,00	0,12	0,70	4,29	297,5%	20,67	16,02	118,1	23,2	89,3%	75,4%	67,3%	23,5	0,12	99,14
436,00	0,12	0,69	4,28	299,6%	20,67	16,05	117,9	23,2	89,4%	75,4%	67,4%	23,6	0,12	99,14
437,00	0,12	0,69	4,28	299,5%	20,67	16,04	117,7	23,1	89,4%	75,4%	67,4%	23,6	0,12	99,14
438,00	0,08	0,68	4,27	301,1%	20,67	16,06	117,4	23,1	89,5%	75,4%	67,5%	23,7	0,08	99,42
439,00	0,08	0,69	4,30	298,4%	20,67	16,03	117,4	23,1	89,5%	75,5%	67,6%	23,5	0,08	99,46
440,00	0,08	0,69	4,30	298,3%	20,67	16,03	117,4	23,1	89,5%	75,5%	67,6%	23,5	0,08	99,46
441,00	0,08	0,68	4,30	298,4%	20,67	16,03	117,1	23,1	89,6%	75,6%	67,7%	23,5	0,08	99,46
442,00	0,08	0,68	4,32	297,1%	20,67	16,01	116,9	23,1	89,6%	75,7%	67,8%	23,5	0,08	99,46
443,00	0,08	0,68	4,31	298,4%	20,67	16,02	116,6	23,1	89,7%	75,6%	67,8%	23,6	0,08	99,46
444,00	0,08	0,68	4,25	302,9%	20,67	16,08	116,5	23,1	89,5%	75,5%	67,6%	23,8	0,08	99,46
445,00	0,08	0,68	4,23	304,3%	20,67	16,10	116,2	23,0	89,5%	75,5%	67,5%	23,9	0,08	99,46
446,00	0,03	0,69	4,20	306,6%	20,68	16,13	116,2	23,0	89,3%	75,4%	67,3%	24,0	0,03	99,78
447,00	0,03	0,69	4,22	304,6%	20,67	16,11	116,1	23,0	89,2%	75,4%	67,3%	23,9	0,03	99,78
448,00	0,00	0,69	4,21	305,8%	20,67	16,12	116,0	23,1	89,3%	75,4%	67,4%	24,0	0,00	100,00

Date: 04-02-20 Manufacturer: USSC Model: T12007
 Project #: P-1430 PI-20221 Run: 2 Tech: SP Reviewer: NP
 SP

- kindling 115 LBS solid fire (inner torch)
- close DOOR immediately
- At 36 LBS insert load
- close DOOR immediately
- open Fan immediately (High)
- At 600 LBS stop Fan
- At 41 LBS insert load
- At 2 min close DOOR
- At 600 Flue close secondary air (mat)
- and close air primary (1/2)
- At 14 min close air inlet (inter)
- At 25 min open Fan low

TEST LOAD CONFIGURATION

PRE / POST CHECKS

Date: 2020-02-04 Manufacturer: U.S. stove Model: FR 007
 Project #: PI 2020 Run: 2 Tech: MM Reviewer: [Signature]

Moisture Meter Calibration Check:

Equipment #	Time	12%	22%
EM-191	7:00	OK	OK

Facility Conditions:

Air Velocity from less than 2 feet
 Smoke Capture Check (Tunnel velocity).....
 Picture.....

Pre-Test	Post-Test
0 (max50 Fpm)	(max50 Fpm)
OK	NA
4 sides	OK

Wood Heater Conditions:

Date Wood Heater Stack Cleaned.....
 Date Dilution Tunnel Cleaned.....
 Induced Draft Check (max 0.005 H2O).....
 Traverse before ignition.....

2020-02-03
2020-02-03
OK
OK

Temperature System:

Ambient (65°-90°F).....

OK °F

Proportional Checks:

Thermocouple check.....
 Pitot Clean.....
 Pitot verification.....

OK
OK
OK

Sampling Train ID Numbers:

Probe.....
 Filter Front.....
 Filter Back.....
 Filter Thermocouple.....
 Filter (80°F ≥ <90°F).....

High fire test			Medium low fire test		
1 st hour	Train 1	Train 2	1 st hour	Train 1	Train 2
	NA				

Date: 2020-02-04

 Manufacturer: vs s 1608

 Model: FR 007

 Project #: PT 2022

 Run: 2

 Tech: M

 Reviewer: [Signature]
Leakage Checks Tunnel Samplers

High fire test	System 1 st hour		System 1		System 2	
Unplugged Flow Rate = .25cfm	Pre-Test ASTM (-15) CSA B415 (-5)	Post-Test (max test)	Pre-Test ASTM (-15) CSA B415 (-5)	Post-Test (Max test)	Pre-Test ASTM (-15) CSA B415 (-5)	Post-Test (Max test)
Vacuum (inches Hg.)	-15					
Final 1minute DGM (Liter)						
Initial 1minute DGM (Liter)						
Change © (Liter)						
Allowable leakage .04 x Sample rate or 0.28Lpm CSA B415 (0.56)			NA			
Check OK						

Low medium fire test	System 1 st hour		System 1		System 2	
Unplugged Flow Rate = .25cfm	Pre-Test ASTM (-15) CSA B415 (-5)	Post-Test (max test)	Pre-Test ASTM (-15) CSA B415 (-5)	Post-Test (Max test)	Pre-Test ASTM (-15) CSA B415 (-5)	Post-Test (Max test)
Vacuum (inches Hg.)	-15	-15	-15	-15	-15	-15
Final 1minute DGM (Liter)	141 876.48	14428.19	141 876.41	14428.73	083141.01	085102.50
Initial 1minute DGM (Liter)	141 876.40	14428.15	141 876.31	14428.66	083140.80	085102.33
Change © (Liter)	0.08	0.04	0.04	0.07	0.01	0.17
Allowable leakage .04 x Sample rate or 0.28Lpm CSA B415 (0.56)						
Check OK	OK	OK	OK	OK	OK	OK

SAMPLING EQUIPMENT CHECK OUT

Date: 20 26-02-04 Manufacturer: US 510VE Model: 7R 007
 Project #: PT 20221 Run: 2 Tech: Mm Reviewer: [Signature]

Leakage Checks Flue Gas Sampler

Plugged Probe	Pre-Test	Post Test
Vacuum (inches Hg.)	-5	-5
Rotameter Reading (mml/min.)	0	0
Flow Rate (lpm)	1.5	1.5
Allowable (.02 x Sample Rate)	30	30
Check OK	OK	OK

Leakage Checks Pitot

Plugged Probe	Pre Test	Pre Test	Post Test	Post Test
	3 H ₂ O static	0.4-0.5 H ₂ O velocity	3 H ₂ O Static	0.4-0.5 H ₂ O velocity
Vacuum (inches Hg.)	3	0.5	3	0.43
Check OK (no change after 15 sec.)	OK	OK	OK	OK

Date: 2020-02-04 Manufacturer: VS SCALE Model: TR 007
 Project #: PI 2021 Run: 2 Tech: MM Reviewer: SP

Scale Type	Audit		Measured Weight
	Equipment #	Weight	
Platform	EM-090	44 lbs, Class F	44 lbs
Wood	EM-090	44 lbs, Class F	44 lbs
Analytical	EM-128	100 mg, Class S	100 mg
Analytical	EM-129	200 g, Class S	200 g

LIMITS OF WEIGHT RANGES

ANALYTICAL SCALE: 50%-150% of dry filter weight, ± 0.1 mg
PLATFORM SCALE: 20%-80% of ideal test load weight, ± 0.1 lbs or 1%
WOOD SCALE: 20%-80% of ideal test load weight, ± 0.01 lbs or 1%

Date: 2020-02-04 Manufacturer: V5 STOVE Model: 1/2 007
 Project #: PT 20221 Run: 2 Tech: MM Reviewer: [Signature]
FOR TUNNELS < 12 in

 Barometric pressure (P_{bar}) _____ (KPa.) Static pressure (P_q) 0.18 (inches w.c.)
 Inside diameter: Port A _____ Port B _____
 Tunnel cross sectional area: .1963Ft²
 Pitot tube type: Standard

Traverse Point	Position (inches)			Velocity Head Δ_p (inches H ₂ O)	Tunnel Temperature (°F)
	6 po	7 po	8 po		
A- Centroid	3.00	3.50	4	0.81	66.03
B - Centroid	3.00	3.50	4	0.81	65.86
A-1	0.40	0.50	0.50	0.68	65.98
A-2	1.50	1.75	2	0.80	65.98
A-3	4.50	5.25	6	0.71	65.95
A-4	5.60	6.5	7.5	0.67	65.95
B-1	0.40	0.50	0.50	0.67	65.86
B-2	1.50	1.75	2	0.73	65.60
B-3	4.50	5.25	6	0.81	65.86
B-4	5.60	6.5	7.5	0.68	65.86
AVERAGE					

$$v_s = K_p C_p (\sqrt{\Delta p})_{avg} \sqrt{\frac{(T_s)_{avg}}{P_s M_s}}$$

Where,

 C_p = pitot tube coefficient, dimension less = 0.99 for standard pitot.

 Δ_p = manometer reading (inches H₂O)

 T_s = average absolute dilution tunnel temperature (°F + 460)

 P_s = absolute dilution tunnel gas pressure or $P_{bar} + P_{q2}$
 P_q = static pressure in. H₂O
 { 13.6 }

 M_s = 28.56, wet molecular weight of stack gas (alternatively, it may be measured)

 K_p = 85.49 pitot tube constant, (conversion factor for English units)

 Δ_p avg. = average of the square roots of the velocity heads (Δ_p) measured at each traverse point.

Date: 2020-02-04 Manufacturer: VS 5600 Model: TR 007
 Project #: PI 2021 Run: 2 Tech: MP Reviewer: DP

Pre-Test (Adjust and Record)


	ZERO		SPAN		CAL. (Record Only)	
	Actual	Should Be	Actual	Should Be	Actual	Should Be
CO	0	0	2980	3000	1.009	1.000
Tolerance CO	0	+/- 0.02	0.020	+/- 0.15	0.009	+/- 0.05
CO ₂	0	0	1804	1800	9.76	10.00
Tolerance CO ₂	0	+/- 0.02	0.04	+/- 0.5	0.24	+/- 0.5
O ₂ informative CSA B415 calculated value	na	na	na	na	na	na
	Actual	Should Be	Actual	Should Be	Actual	Should Be

Post Test (Record Only)

	Zero	Span	Cal.	Zero Drift	Limit	Span Drift	Limit	Cal. Drift	Limit	OK?	Not OK*
CO	0	2990	1.000	0	0.02	0.02	0.15	0.009	0.05	✓	
CO ₂	0	1803	9.77	0	0.02	0.01	0.5	0.01	0.5	✓	

TEST DATA LOG

 Date: 2020-02-04 Manufacturer: vs stove Model: 7R007
 Project #: PT 20221 Run: 2 Tech: MM Reviewer: [Signature]
RAW DRY GAS METER READINGS

		System 1	System 2	Blank
High fire test	Final (Liter)			
	Initial (Liter)			
Low medium fire test	Final (Liter)	144 206.89	085 100.94	978.71
	Initial (Liter)	141 879.00	083 142.70	874.92

AMBIENT CONDITIONS

	Before	After
Barometer (kPa):	99.8	100.4
Dry Bulb (F):	72.2	73.5
Humidity (%):	28.1	27.4

FUEL DATA

Date: 04-02-20 Manufacturer: USSC Model: TR007
 Project #: P-1430 GP Run: 2 Tech: SP Reviewer: SP
P1-20221

FUEL DESCRIPTION:

Type of wood:

KINDLING AND START-UP LOAD

Piece Size		Weight		Meter Moisture Content (% dry)			
x	x 20 in.	6.500	lbs.	20	20	20	
x	x 20 in.	5.056	lbs.	9	9	9	
x	x in.		lbs.				
x	x in.		lbs.				
x	x in.		lbs.				
x	x in.		lbs.				
x	x in.		lbs.				
x	x in.		lbs.				
x	x in.		lbs.				

HIGHFIRE TEST LOAD

Piece Size		Weight		Meter Moisture Content (% dry)			
3	x 3 x 20 in.	5.496	lbs.	22.9	18.1	25.2	
3	x 3 x 20 in.	5.346	lbs.	26.3	2.8	24.8	
3	x 2 x 20 in.	5.520	lbs.	25.3	2.1	24.1	
	x x in.		lbs.				
4	x 3 x 20 in.	4.930	lbs.	23.0	2.7	22.2	
3.5	x 3 x 20 in.	5.162	lbs.	23.2	2.9	22.7	
	x x in.		lbs.				
	x x in.		lbs.				
	x x in.		lbs.				

FUEL DATA

Date: 04-02-20 Manufacturer: USSC 0220 Model: T10007
 Project #: P-430 SP Run: 2 Tech: SP Reviewer: NO
P1-2022L

FUEL DESCRIPTION:

Type of wood:

LOW OR MEDIUM TEST LOAD

Piece Size		Weight	Meter Moisture Content (% dry)		
5	x 4.5 x 20 in.	6.486 lbs.	24.1	22.2	24.0
3	x 2.5 x 20 in.	6.582 lbs.	27.5	25.4	27.8
4	x 3.5 x 20 in.	6.640 lbs.	27.5	23.1	27.8
	x x in.	lbs.			
4	x 3 x 20 in.	7.512 lbs.	25.6	21.0	25.7
4	x 3 x 20 in.	4.648 lbs.	22.4	22.4	25.6
	x x in.	lbs.	23.0 ^{SP}		
	x x in.	lbs.			
	x x in.	lbs.			
	x x in.	lbs.			
	x x in.	lbs.			
	x x in.	lbs.			
	x x in.	lbs.			
	x x in.	lbs.			

DILUTION TUNNEL PARTICULATE SAMPLER DATA

Date: _____ Manufacturer: _____ Model: _____

Project #: _____ Run: _____ Tech: _____ Reviewer: _____

HIGHFIRE TEST FILTERS									
SYSTEM 1 - 1 st hour				SYSTEM 1					
Pre-test Weight Record	Probe & Housing Number	Front Filter Number	Back Filter Number	gaskets	Probe & Housing Number	Front Filter Number	Back Filter Number	gaskets	Blanck
Date	Time								

HIGHFIRE TEST FILTERS									
SYSTEM 1 - 1 st hour				SYSTEM 1					
Post-test Weight Record	Probe & Housing Number	Front Filter Number	Back Filter Number	gaskets	Probe & Housing Number	Front Filter Number	Back Filter Number	gaskets	Blanck
Date	Time								

N.A



DILUTION TUNNEL PARTICULATE SAMPLER DATA

Date: 2020-02-03 Manufacturer: US 5606 Model: AL 007

Project # 2020-02-03 Run: 2 Tech: MM Reviewer: DP

MEDIUM / LOW FIRE TEST FILTERS

Pre-test Weight Record		SYSTEM 1 - 1 st hour		SYSTEM 1		SYSTEM 1		SYSTEM 1		
Date	Time	Probe & Housing Number	Front Filter Number	Back Filter Number	gaskets	Probe & Housing Number	Front Filter Number	Back Filter Number	gaskets	Blank
2020-02-03	17:00	614000	01770	01770	338873	613743	01779	01779	341706	00888
2020-02-04	9:00	614000	01771	01771	338874	613744	01779	01779	341707	00888

MEDIUM / LOW FIRE TEST FILTERS

Post-test Weight Record		SYSTEM 1 - 1 st hour		SYSTEM 1		SYSTEM 1		SYSTEM 1		
Date	Time	Probe & Housing Number	Front Filter Number	Back Filter Number	gaskets	Probe & Housing Number	Front Filter Number	Back Filter Number	gaskets	Blank
2020-02-05	9:00	614009	01786	01786	338893	613754	01791	01791	341727	00897
2020-02-10	8:00	614003	01786	01786	338875	613746	01787	01787	341709	00890
2020-02-11	8:00	614003	01786	01786	338875	613746	01787	01787	341709	00889

APPENDIX 2: Proportionality results

Average	Average	Average	Proportional	Highfire				Average
18,15	Inlet +	Inlet +						0,273
	Outlet	Outlet	Average	Average	#1	#2		
Tunnel	Temp.	Temp.	101,71	102,66	System 1	System 2		SQRT
Velocity	Meter 1	Meter 2	Proportional Rates		Vol.Std.	Vol.Std.		Delta-P
			PR1	PR2			Time	
Ft/Sec	Deg. R	Deg. R	%	%	(ft3)	(ft3)	min	(in H2O)2
17,869	532,4	532,4			0,171	0,146	0	0,2823521
18,134	532,4	532,4	93,13	93,97	0,172	0,147	1	0,286005
17,920	532,3	532,4	94,74	95,53	0,173	0,147	2	0,28199
18,040	532,3	532,4	95,31	96,24	0,173	0,147	3	0,2819869
17,761	532,4	532,3	98,45	99,30	0,173	0,147	4	0,2753582
17,797	532,4	532,4	98,71	99,61	0,173	0,147	5	0,2753574
18,283	532,4	532,4	96,67	97,57	0,173	0,148	6	0,281987
17,745	532,4	532,4	100,07	101,06	0,173	0,148	7	0,273116
17,977	532,4	532,4	99,04	99,93	0,174	0,148	8	0,2762868
18,015	532,4	532,4	99,24	100,20	0,173	0,148	9	0,2762868
18,067	532,5	532,4	99,36	100,16	0,174	0,148	10	0,2766591
18,423	532,6	532,5	97,97	98,95	0,174	0,148	11	0,2811912
18,074	532,6	532,5	101,01	101,94	0,174	0,148	12	0,2744102
18,100	532,7	532,6	101,72	102,76	0,174	0,148	13	0,2734858
17,930	532,8	532,7	103,01	103,95	0,173	0,148	14	0,270468
17,751	532,9	532,8	104,44	105,52	0,173	0,148	15	0,2672305
17,902	533,0	532,9	104,08	105,04	0,173	0,148	16	0,2689484
18,147	533,1	533,0	102,91	103,96	0,173	0,148	17	0,2721671
17,850	533,3	533,1	104,77	105,72	0,173	0,148	18	0,2676077
18,236	533,4	533,2	102,74	103,71	0,173	0,147	19	0,2731106
18,251	533,5	533,3	102,68	103,64	0,173	0,147	20	0,2732931
18,553	533,5	533,4	100,89	101,78	0,173	0,147	21	0,2779539
17,742	533,6	533,4	105,43	106,42	0,173	0,147	22	0,2658768
17,883	533,7	533,5	104,13	105,10	0,173	0,147	23	0,2685647
18,033	533,8	533,6	103,23	104,20	0,173	0,147	24	0,2708463
18,188	533,9	533,7	102,07	103,00	0,173	0,147	25	0,2735326
18,246	534,0	533,8	101,42	102,48	0,173	0,147	26	0,2747446
18,270	534,1	533,9	101,14	102,09	0,173	0,147	27	0,2753559
17,696	534,1	533,9	104,02	104,98	0,173	0,147	28	0,2672241
17,650	534,1	534,0	104,02	104,99	0,173	0,147	29	0,2668507
17,955	534,1	534,0	102,02	102,96	0,173	0,147	30	0,2717855
17,864	534,2	534,1	102,48	103,42	0,173	0,147	31	0,2704722
18,766	534,2	534,1	102,61	103,56	0,173	0,147	32	0,2770292
18,215	534,3	534,1	102,37	103,41	0,173	0,147	33	0,2731102
18,128	534,3	534,2	102,76	103,62	0,173	0,147	34	0,27217
18,065	534,4	534,2	103,03	103,98	0,173	0,147	35	0,2712159
18,265	534,4	534,3	102,01	103,08	0,173	0,147	36	0,2740455
18,192	534,5	534,3	102,40	103,32	0,173	0,147	37	0,2731109
18,212	534,5	534,4	102,43	103,38	0,173	0,147	38	0,2731109
17,998	534,6	534,5	103,64	104,57	0,173	0,147	39	0,2699121
18,515	534,7	534,5	100,30	101,23	0,173	0,147	40	0,278202
18,223	534,7	534,6	102,14	103,22	0,173	0,147	41	0,2734904
18,383	534,7	534,6	101,07	101,97	0,173	0,147	42	0,2762848
18,675	534,8	534,7	99,82	100,65	0,173	0,147	43	0,2801603
18,205	534,8	534,8	102,41	103,39	0,173	0,147	44	0,2730584
17,979	534,9	534,8	103,84	104,68	0,173	0,147	45	0,2695188
18,044	535,0	534,9	103,43	104,41	0,173	0,147	46	0,2704685
18,166	535,1	534,9	102,83	103,79	0,173	0,147	47	0,2721712
18,297	535,1	535,0	102,20	103,13	0,173	0,147	48	0,2740202
18,247	535,2	535,1	102,53	103,43	0,173	0,147	49	0,2731113
18,434	535,2	535,1	101,60	102,57	0,173	0,147	50	0,275732
18,266	535,4	535,2	102,63	103,60	0,173	0,147	51	0,2731129
18,129	535,4	535,3	103,55	104,43	0,173	0,147	52	0,2708489
18,042	535,5	535,4	104,09	104,97	0,173	0,147	53	0,2695193

18,445	535,6	535,4	101,94	102,88	0,173	0,147	54	0,2753584
18,130	535,6	535,5	103,72	104,74	0,173	0,147	55	0,2704706
18,208	535,8	535,6	103,24	104,13	0,173	0,147	56	0,2718013
18,129	535,8	535,7	103,40	104,46	0,173	0,147	57	0,2708492
18,130	535,9	535,8	103,51	104,35	0,173	0,147	58	0,2708494
18,100	535,9	535,8	104,11	104,56	0,173	0,147	59	0,2704709
18,039	536,0	535,9	103,98	104,96	0,173	0,147	60	0,2695203
18,118	536,1	535,9	103,30	104,36	0,173	0,147	61	0,2708491
18,109	536,1	536,0	103,62	104,63	0,173	0,147	62	0,2704708
18,054	536,2	536,0	103,84	104,73	0,173	0,147	63	0,2697638
18,033	536,3	536,1	103,89	104,86	0,173	0,147	64	0,2695208
18,127	536,4	536,2	103,68	104,64	0,173	0,147	65	0,2704725
18,086	536,4	536,2	103,87	104,84	0,173	0,147	66	0,2699005
18,041	536,5	536,3	104,09	105,14	0,173	0,147	67	0,2691844
18,134	536,5	536,3	103,65	104,64	0,173	0,147	68	0,2704802
18,096	536,6	536,4	103,79	104,87	0,172	0,147	69	0,2699016
18,135	536,7	536,4	103,68	104,58	0,172	0,147	70	0,2704709
17,977	536,7	536,5	104,23	105,21	0,173	0,147	71	0,2685667
17,890	536,7	536,5	104,76	105,74	0,173	0,147	72	0,2672348
18,219	536,7	536,5	102,76	103,81	0,172	0,147	73	0,272174
18,509	536,7	536,5	101,12	102,06	0,172	0,147	74	0,2766631
18,013	536,7	536,5	103,69	104,71	0,173	0,147	75	0,2695206
17,990	536,7	536,6	104,00	104,96	0,173	0,147	76	0,2689583
18,256	536,8	536,6	102,34	103,29	0,173	0,147	77	0,2731138
18,036	536,8	536,6	103,51	104,56	0,172	0,147	78	0,2699022
18,257	536,9	536,7	102,31	103,28	0,172	0,147	79	0,2731143
18,040	536,9	536,7	103,53	104,61	0,172	0,147	80	0,2699022
17,775	536,9	536,7	105,07	106,06	0,172	0,147	81	0,2659201
17,958	537,0	536,8	104,17	105,06	0,173	0,147	82	0,2685675
18,191	537,0	536,8	102,63	103,59	0,173	0,147	83	0,2721727
18,284	537,1	536,8	102,15	103,11	0,172	0,147	84	0,2734906
18,292	537,2	536,9	102,41	103,42	0,172	0,147	85	0,2732717
18,283	537,3	537,0	102,38	103,35	0,172	0,147	86	0,2731128
18,042	537,4	537,1	103,72	104,71	0,172	0,147	87	0,269521
18,066	537,5	537,2	103,58	104,54	0,172	0,147	88	0,2699027
18,195	537,6	537,3	102,82	103,82	0,172	0,147	89	0,2717964
18,197	537,7	537,3	102,81	103,82	0,172	0,147	90	0,2717953
17,871	537,8	537,4	104,43	105,56	0,172	0,147	91	0,2672276
18,409	537,9	537,5	101,32	102,29	0,172	0,147	92	0,275361
18,248	537,9	537,5	102,17	103,11	0,172	0,146	93	0,2730492
18,230	538,0	537,6	101,79	102,67	0,172	0,146	94	0,2734912
18,062	538,1	537,6	102,72	103,70	0,172	0,146	95	0,2708531
18,229	538,2	537,8	101,91	102,90	0,172	0,146	96	0,2731154
18,258	538,4	538,0	102,03	103,10	0,172	0,146	97	0,2731159
18,468	538,7	538,2	100,94	101,93	0,172	0,146	98	0,2760991
17,899	538,9	538,5	104,12	105,13	0,172	0,146	99	0,2676131
18,284	539,2	538,7	102,03	103,04	0,172	0,146	100	0,2731171
18,276	539,4	538,9	101,96	103,05	0,172	0,146	101	0,2731172
17,991	539,5	539,1	103,25	104,27	0,172	0,146	102	0,2692303
18,227	539,6	539,2	101,63	102,67	0,172	0,146	103	0,2731181
18,156	539,7	539,3	102,02	102,91	0,172	0,146	104	0,2721797
18,195	539,7	539,4	101,54	102,46	0,172	0,146	105	0,2731188
18,173	539,8	539,4	101,26	102,23	0,172	0,146	106	0,2731823
18,270	539,8	539,5	100,69	101,63	0,172	0,146	107	0,2748366
18,136	539,8	539,5	101,09	102,07	0,172	0,146	108	0,2731337
17,945	539,8	539,5	102,02	103,03	0,172	0,146	109	0,2704781
18,560	539,8	539,5	98,42	99,24	0,172	0,146	110	0,2801704
18,081	539,8	539,5	100,79	101,76	0,172	0,146	111	0,2731242
18,217	539,7	539,5	99,91	100,83	0,172	0,146	112	0,2753656
18,240	539,6	539,5	99,78	100,80	0,172	0,146	113	0,2757406
18,527	539,6	539,5	98,20	99,10	0,172	0,146	114	0,280172

18,049	539,5	539,4	100,76	101,59	0,172	0,146	115	0,2731215
18,267	539,5	539,3	99,57	100,49	0,172	0,146	116	0,2764204
18,113	539,5	539,3	100,41	101,24	0,172	0,146	117	0,2740988
18,202	539,5	539,3	99,67	100,64	0,172	0,146	118	0,2757408
18,179	539,4	539,3	99,57	100,46	0,172	0,146	119	0,2757407
18,381	539,4	539,3	98,44	99,37	0,172	0,146	120	0,2788871
18,450	539,3	539,3	97,87	98,66	0,172	0,146	121	0,2802299
18,010	539,3	539,2	100,20	101,09	0,172	0,146	122	0,2735545
18,424	539,3	539,3	97,71	98,67	0,172	0,146	123	0,2801736
18,066	539,3	539,3	99,61	100,45	0,172	0,146	124	0,2748081
18,533	539,4	539,3	96,98	97,96	0,172	0,146	125	0,2819978
18,199	539,4	539,4	98,68	99,58	0,172	0,146	126	0,2770118
18,308	539,5	539,4	97,93	98,83	0,172	0,146	127	0,2788865
18,132	539,6	539,4	98,88	99,82	0,172	0,146	128	0,2762995
18,223	539,7	539,5	98,35	99,26	0,172	0,146	129	0,2777532
18,652	539,7	539,5	95,92	96,77	0,172	0,146	130	0,2845355
18,239	539,7	539,6	97,97	98,81	0,172	0,146	131	0,2783794

Average	Average	Average	Proportional Rates Medium/low fire					Average
18,08	Inlet +	Inlet +					0,282	
	Outlet	Outlet	Average	Average	#1	#2		
Tunnel	Temp.	Temp.	101,14	102,48	System 1	System 2	SQRT	
Velocity	Meter 1	Meter 2	Proportional Rates		Vol.Std.	Vol.Std.	Delta-P	
			PR1	PR2			Time	
Ft/Sec	Deg. R	Deg. R	%	%	(ft3)	(ft3)	min	
							(in H2O)2	
18,242	539,5	539,4			0,171	0,146	0 0,2766748	
18,559	539,6	539,4	104,04	105,54	0,171	0,146	1 0,2805437	
18,507	539,5	539,4	101,29	102,67	0,171	0,146	2 0,2839989	
18,197	539,5	539,4	102,93	104,34	0,171	0,146	3 0,2794663	
18,890	539,4	539,4	99,59	101,02	0,171	0,146	4 0,2895486	
18,519	539,4	539,4	102,45	103,76	0,172	0,146	5 0,2827319	
18,530	539,5	539,4	103,03	104,47	0,172	0,146	6 0,2820027	
18,497	539,5	539,4	103,35	104,77	0,172	0,146	7 0,2813359	
18,392	539,5	539,4	103,86	105,31	0,172	0,146	8 0,2798104	
18,200	539,5	539,4	104,88	106,30	0,172	0,146	9 0,2770461	
18,728	539,4	539,4	101,61	102,99	0,172	0,146	10 0,2855241	
18,231	539,4	539,4	104,38	105,79	0,172	0,146	11 0,2779706	
18,028	539,3	539,3	105,61	107,04	0,172	0,146	12 0,274813	
18,756	539,3	539,3	101,59	102,98	0,172	0,146	13 0,2858009	
18,299	539,3	539,2	103,43	104,95	0,172	0,146	14 0,2797727	
18,299	539,3	539,2	102,85	104,28	0,172	0,146	15 0,2805435	
18,029	539,3	539,2	104,21	105,68	0,172	0,146	16 0,2766741	
18,200	539,3	539,1	102,86	104,28	0,172	0,146	17 0,2798094	
18,208	539,2	539,1	102,60	104,01	0,172	0,146	18 0,2802388	
18,219	539,2	539,0	102,48	103,90	0,172	0,146	19 0,2805383	
18,112	539,2	539,0	103,08	104,49	0,172	0,146	20 0,2788915	
18,136	539,1	539,0	102,93	104,35	0,172	0,146	21 0,2792586	
18,016	539,1	538,9	103,64	105,19	0,172	0,146	22 0,2773736	
18,563	539,1	538,9	100,60	102,00	0,172	0,146	23 0,285798	
18,290	539,1	538,8	102,20	103,65	0,172	0,146	24 0,2814564	
18,145	539,0	538,8	103,00	104,43	0,172	0,146	25 0,2792585	
17,996	539,0	538,8	103,80	105,24	0,172	0,146	26 0,277044	
18,278	539,0	538,8	102,29	103,71	0,172	0,146	27 0,2812611	
18,271	539,0	538,7	102,38	103,85	0,172	0,146	28 0,2810905	
18,234	539,0	538,7	102,64	104,01	0,172	0,146	29 0,2805414	
18,194	539,0	538,7	102,83	104,23	0,172	0,146	30 0,2798877	
17,867	539,0	538,7	104,80	106,21	0,172	0,146	31 0,2748115	
18,337	539,0	538,7	102,14	103,52	0,172	0,146	32 0,2820005	
18,140	539,0	538,7	103,26	104,71	0,172	0,146	33 0,2788914	
17,948	538,9	538,6	104,16	105,51	0,172	0,146	34 0,2762198	
18,289	538,9	538,6	102,23	103,66	0,172	0,146	35 0,2814544	
18,181	538,9	538,6	102,83	104,29	0,172	0,146	36 0,2798069	
18,189	538,9	538,7	102,87	104,31	0,172	0,146	37 0,279809	
18,142	538,9	538,7	103,18	104,69	0,172	0,146	38 0,2790201	
18,349	538,9	538,6	101,91	103,43	0,172	0,146	39 0,2823655	
18,419	538,9	538,6	101,76	103,16	0,172	0,146	40 0,2832543	
18,215	538,9	538,6	102,74	104,19	0,172	0,146	41 0,2801757	
18,224	538,9	538,6	102,87	104,25	0,172	0,146	42 0,2801745	
18,020	538,9	538,6	103,95	105,52	0,172	0,146	43 0,2770422	
18,203	538,9	538,6	102,69	104,13	0,172	0,146	44 0,2801636	
18,151	538,9	538,6	103,14	104,56	0,172	0,146	45 0,2792569	
18,370	538,9	538,6	101,87	103,21	0,172	0,146	46 0,2827283	
18,209	538,9	538,6	102,69	104,07	0,172	0,146	47 0,2802867	
18,260	538,9	538,6	102,35	103,77	0,172	0,146	48 0,2810885	
18,367	538,8	538,6	101,78	103,18	0,172	0,146	49 0,2827271	
18,080	538,8	538,6	103,36	104,82	0,172	0,146	50 0,2783356	
18,148	538,7	538,5	102,98	104,40	0,172	0,146	51 0,2794094	
17,951	538,8	538,5	104,15	105,59	0,172	0,146	52 0,2763223	
18,254	538,7	538,4	102,34	103,81	0,172	0,146	53 0,2810889	
18,248	538,7	538,4	102,31	103,75	0,172	0,146	54 0,281089	

18,296	538,7	538,3	102,20	103,68	0,172	0,146	55	0,2817046
18,128	538,7	538,4	103,02	104,42	0,172	0,146	56	0,2792708
18,214	538,7	538,3	102,52	104,08	0,172	0,146	57	0,2805396
17,984	538,6	538,3	103,82	105,33	0,172	0,146	58	0,2770413
18,247	538,7	538,3	102,31	103,76	0,172	0,146	59	0,2810879
18,034	538,7	538,3	103,51	104,89	0,172	0,146	60	0,2779593
18,175	538,7	538,4	102,56	104,08	0,172	0,146	61	0,2801736
18,156	538,7	538,3	102,78	104,28	0,172	0,146	62	0,2797645
17,902	538,7	538,3	104,35	105,78	0,172	0,146	63	0,2757419
18,200	538,7	538,4	102,45	103,88	0,172	0,146	64	0,2805393
18,301	538,7	538,4	101,94	103,38	0,172	0,146	65	0,2819989
18,185	538,7	538,4	102,61	104,06	0,172	0,146	66	0,2801732
18,168	538,7	538,4	102,90	104,23	0,172	0,146	67	0,2798125
18,521	538,7	538,4	100,75	102,16	0,172	0,146	68	0,2853612
18,244	538,7	538,4	102,28	103,72	0,172	0,146	69	0,2810873
18,204	538,7	538,4	102,57	103,90	0,172	0,146	70	0,2805383
18,523	538,7	538,5	100,71	102,11	0,172	0,146	71	0,2854369
18,188	538,7	538,5	102,57	103,93	0,172	0,146	72	0,2803678
18,263	538,7	538,5	102,13	103,67	0,172	0,146	73	0,281447
18,181	538,7	538,5	102,60	104,09	0,172	0,146	74	0,2801722
18,169	538,7	538,5	102,54	104,05	0,172	0,146	75	0,2801722
18,149	538,7	538,5	102,76	104,15	0,172	0,146	76	0,2798274
17,927	538,7	538,5	104,09	105,41	0,172	0,146	77	0,2763636
18,737	538,7	538,5	99,49	100,87	0,172	0,146	78	0,2888344
18,023	538,7	538,5	103,34	104,79	0,172	0,146	79	0,2779645
18,191	538,7	538,5	102,43	103,86	0,172	0,146	80	0,2804783
18,110	538,7	538,5	102,88	104,31	0,172	0,146	81	0,2792424
18,035	538,7	538,5	103,41	104,83	0,172	0,146	82	0,2779632
17,963	538,7	538,5	103,67	105,19	0,172	0,146	83	0,2770406
18,178	538,7	538,5	102,60	104,10	0,172	0,146	84	0,280172
18,341	538,7	538,5	101,64	103,14	0,172	0,146	85	0,2827261
18,288	538,7	538,5	101,99	103,40	0,172	0,146	86	0,2819948
18,250	538,7	538,5	102,09	103,47	0,172	0,146	87	0,2814513
18,030	538,7	538,5	103,33	104,73	0,172	0,146	88	0,2780673
18,095	538,7	538,5	103,06	104,60	0,172	0,146	89	0,2788872
18,254	538,7	538,5	102,07	103,51	0,172	0,146	90	0,2814533
18,025	538,7	538,5	103,34	104,80	0,172	0,146	91	0,2779554
18,207	538,7	538,5	102,48	103,92	0,172	0,146	92	0,2805382
17,946	538,7	538,5	103,85	105,37	0,172	0,146	93	0,2766697
18,048	538,7	538,5	103,22	104,75	0,172	0,146	94	0,2783285
17,914	538,7	538,5	103,95	105,46	0,172	0,146	95	0,2762974
18,224	538,7	538,5	102,18	103,71	0,172	0,146	96	0,2810866
18,017	538,7	538,5	103,30	104,78	0,172	0,146	97	0,2779644
18,134	538,6	538,4	102,78	104,22	0,172	0,146	98	0,2797254
18,103	538,6	538,4	102,93	104,29	0,172	0,146	99	0,2792732
18,082	538,6	538,3	103,07	104,45	0,172	0,146	100	0,2788867
18,098	538,6	538,3	102,89	104,36	0,172	0,146	101	0,2792548
18,099	538,6	538,3	102,83	104,37	0,172	0,146	102	0,2792539
18,148	538,5	538,2	102,60	104,08	0,172	0,146	103	0,2800628
17,952	538,5	538,2	103,69	105,10	0,172	0,146	104	0,2770398
18,317	538,6	538,3	101,64	103,04	0,172	0,146	105	0,2827255
18,158	538,6	538,3	102,40	103,87	0,172	0,146	106	0,2803858
18,007	538,5	538,3	103,31	104,64	0,172	0,146	107	0,2780736
18,265	538,5	538,2	101,83	103,22	0,172	0,146	108	0,2819957
18,111	538,5	538,2	102,60	103,95	0,172	0,146	109	0,2798051
17,884	538,5	538,2	103,81	105,27	0,172	0,146	110	0,2762985
18,196	538,5	538,3	102,04	103,50	0,172	0,146	111	0,2810868
18,111	538,5	538,3	102,50	103,95	0,172	0,146	112	0,2798061
18,075	538,6	538,3	102,70	104,15	0,172	0,146	113	0,2792551
17,936	538,5	538,3	103,51	104,91	0,172	0,146	114	0,2770934
17,999	538,5	538,2	102,96	104,45	0,172	0,146	115	0,2783326
18,144	538,4	538,3	102,23	103,65	0,172	0,146	116	0,2805381

17,971	538,5	538,3	103,09	104,50	0,172	0,146	117	0,2779704
18,253	538,5	538,3	101,46	102,86	0,172	0,146	118	0,2823635
18,280	538,4	538,3	101,40	102,82	0,172	0,146	119	0,2827247
18,027	538,4	538,3	102,81	104,14	0,172	0,146	120	0,2788865
18,018	538,5	538,3	102,72	104,09	0,172	0,146	121	0,2788868
18,119	538,4	538,2	102,03	103,50	0,172	0,146	122	0,2805376
17,985	538,5	538,3	102,98	104,31	0,172	0,146	123	0,2783334
17,950	538,5	538,3	102,98	104,38	0,172	0,146	124	0,2779652
18,143	538,5	538,3	101,77	103,18	0,172	0,146	125	0,2810837
18,016	538,4	538,3	102,39	103,80	0,172	0,146	126	0,2792545
18,205	538,4	538,3	101,46	102,84	0,172	0,146	127	0,2819986
18,043	538,4	538,4	102,31	103,76	0,172	0,146	128	0,27949
18,082	538,5	538,4	102,09	103,49	0,172	0,146	129	0,2801561
18,216	538,5	538,3	101,19	102,64	0,172	0,146	130	0,2823622
18,159	538,4	538,3	101,54	102,83	0,172	0,146	131	0,2815162
17,964	538,4	538,3	102,77	104,18	0,172	0,146	132	0,2783334
18,142	538,4	538,3	101,77	103,17	0,172	0,146	133	0,2810865
18,605	538,4	538,3	99,27	100,57	0,172	0,146	134	0,2882985
18,006	538,4	538,3	102,52	103,94	0,172	0,146	135	0,2790027
18,005	538,4	538,2	102,58	104,00	0,172	0,146	136	0,2789216
18,052	538,4	538,2	102,20	103,58	0,172	0,146	137	0,279804
17,940	538,4	538,2	102,94	104,46	0,172	0,146	138	0,2779639
18,130	538,3	538,1	101,72	103,16	0,172	0,146	139	0,2810867
18,135	538,2	538,1	101,75	103,14	0,172	0,146	140	0,281121
18,090	538,2	538,0	101,91	103,32	0,172	0,146	141	0,2805402
18,139	538,2	538,0	101,53	103,00	0,172	0,146	142	0,2814515
17,910	538,1	538,0	102,78	104,22	0,172	0,146	143	0,277965
18,189	538,1	537,9	101,11	102,56	0,172	0,146	144	0,2825095
18,103	538,0	537,8	101,62	103,01	0,172	0,146	145	0,281086
18,322	538,0	537,8	100,38	101,88	0,172	0,146	146	0,2845359
18,042	538,0	537,8	101,96	103,37	0,172	0,146	147	0,2801711
18,106	537,9	537,7	101,56	103,00	0,172	0,146	148	0,2812209
18,180	537,9	537,7	101,16	102,63	0,172	0,146	149	0,2823669
18,236	537,9	537,6	100,89	102,23	0,172	0,146	150	0,2832682
18,178	537,9	537,6	101,19	102,65	0,172	0,147	151	0,2823649
18,089	537,8	537,6	101,58	103,05	0,172	0,147	152	0,2810857
18,028	537,8	537,6	102,04	103,34	0,172	0,146	153	0,2801498
18,111	537,8	537,6	101,47	102,86	0,172	0,146	154	0,2814501
18,052	537,7	537,5	101,79	103,20	0,172	0,146	155	0,2805383
18,048	537,7	537,5	101,77	103,30	0,172	0,147	156	0,2805375
18,303	537,6	537,4	100,35	101,75	0,172	0,147	157	0,2845348
18,039	537,6	537,4	101,75	103,23	0,172	0,147	158	0,2805384
18,300	537,6	537,3	100,40	101,79	0,172	0,147	159	0,2845343
18,067	537,5	537,3	101,58	102,94	0,172	0,147	160	0,2810902
18,358	537,5	537,3	99,86	101,17	0,172	0,147	161	0,2857935
17,865	537,4	537,2	102,72	104,09	0,172	0,147	162	0,2779656
17,971	537,4	537,2	101,93	103,45	0,172	0,147	163	0,2798045
17,898	537,4	537,2	102,56	103,90	0,172	0,147	164	0,2784791
18,413	537,5	537,3	99,46	100,84	0,172	0,147	165	0,2866982
18,142	537,5	537,3	101,03	102,41	0,172	0,147	166	0,282361
18,183	537,5	537,4	100,98	102,40	0,172	0,147	167	0,2827246
18,082	537,6	537,5	101,50	102,89	0,172	0,147	168	0,2812092
18,391	537,6	537,5	99,69	101,03	0,172	0,146	169	0,2861533
17,798	537,6	537,6	102,93	104,34	0,172	0,146	170	0,2770378
18,107	537,7	537,6	101,06	102,43	0,172	0,146	171	0,281985
17,997	537,8	537,7	101,70	103,17	0,172	0,147	172	0,2802584
18,240	537,8	537,8	100,41	101,80	0,172	0,147	173	0,283993
17,967	537,8	537,8	101,82	103,30	0,172	0,147	174	0,2798054
18,106	537,9	537,9	100,93	102,49	0,172	0,147	175	0,2819973
17,963	537,9	537,9	101,89	103,10	0,172	0,146	176	0,2798044
18,099	537,9	537,9	100,96	102,32	0,172	0,146	177	0,2820046
18,220	537,9	538,0	100,21	101,56	0,172	0,146	178	0,2839925

18,104	537,9	538,0	100,96	102,22	0,172	0,146	179	0,2821686
18,029	537,8	538,0	101,34	102,63	0,172	0,146	180	0,2810266
18,277	537,9	538,0	100,02	101,23	0,172	0,146	181	0,2848936
18,098	537,9	538,0	101,02	102,30	0,172	0,146	182	0,2819978
18,117	537,9	538,0	100,87	102,21	0,172	0,146	183	0,2822693
18,041	537,9	538,0	101,41	102,68	0,172	0,146	184	0,2810873
18,090	537,9	538,1	100,91	102,31	0,172	0,146	185	0,2819969
18,115	537,9	538,1	100,90	102,23	0,172	0,146	186	0,2823621
18,133	537,9	538,1	100,66	101,97	0,172	0,146	187	0,2827258
17,833	537,9	538,1	102,24	103,58	0,172	0,146	188	0,2781784
17,997	537,9	538,1	101,56	102,79	0,172	0,146	189	0,2805384
18,107	537,8	538,1	100,87	102,15	0,172	0,146	190	0,2823625
18,247	537,9	538,1	99,88	101,19	0,172	0,146	191	0,284695
17,737	537,9	538,1	102,85	104,17	0,172	0,146	192	0,2767
18,297	537,9	538,1	99,68	100,96	0,172	0,146	193	0,2854367
18,017	537,9	538,1	101,17	102,57	0,172	0,146	194	0,281088
18,197	537,8	538,1	100,31	101,52	0,172	0,146	195	0,2838387
18,115	537,8	538,0	100,56	101,88	0,172	0,146	196	0,2827247
18,027	537,8	538,0	101,00	102,36	0,172	0,146	197	0,281452
18,273	537,8	538,0	99,42	100,82	0,172	0,146	198	0,2854365
18,056	537,8	538,0	100,72	102,07	0,172	0,146	199	0,2819985
18,136	537,8	538,0	100,24	101,55	0,172	0,146	200	0,2833481
17,993	537,8	538,0	101,06	102,42	0,172	0,146	201	0,2810877
17,994	537,8	538,0	101,17	102,50	0,172	0,146	202	0,2810875
17,961	537,7	538,0	101,22	102,70	0,172	0,147	203	0,2805396
17,710	537,7	538,0	102,67	104,01	0,172	0,146	204	0,2766769
18,101	537,7	538,0	100,48	101,83	0,172	0,146	205	0,2827459
18,593	537,7	537,9	97,82	99,10	0,172	0,146	206	0,2904399
17,984	537,6	537,9	101,01	102,32	0,172	0,146	207	0,2811107
18,042	537,6	537,9	100,71	102,01	0,172	0,146	208	0,2819988
18,067	537,6	537,9	100,59	101,89	0,172	0,146	209	0,2823632
18,085	537,6	537,9	100,48	101,73	0,172	0,146	210	0,282726
18,237	537,6	537,9	99,72	100,96	0,172	0,146	211	0,285002
18,050	537,5	537,8	100,77	102,07	0,172	0,146	212	0,281999
18,110	537,5	537,8	100,20	101,49	0,172	0,146	213	0,2832737
18,169	537,5	537,8	100,01	101,31	0,172	0,146	214	0,2839936
18,060	537,5	537,8	100,57	101,88	0,172	0,146	215	0,2823584
18,188	537,5	537,8	99,74	101,03	0,172	0,146	216	0,284536
18,035	537,4	537,7	100,73	102,03	0,172	0,146	217	0,2819984
17,999	537,5	537,7	100,76	102,09	0,172	0,146	218	0,2816205
17,973	537,5	537,7	101,06	102,34	0,172	0,146	219	0,2810875
18,193	537,5	537,8	99,80	101,07	0,172	0,146	220	0,2845368
18,240	537,4	537,7	99,41	100,69	0,172	0,146	221	0,285437
18,259	537,3	537,7	99,35	100,63	0,172	0,146	222	0,2856793
18,074	537,3	537,7	100,41	101,71	0,172	0,146	223	0,2827256
17,847	537,3	537,6	101,64	103,02	0,172	0,146	224	0,2792553
18,048	537,3	537,6	100,54	101,81	0,172	0,146	225	0,2823622
18,289	537,2	537,6	99,23	100,50	0,172	0,146	226	0,286155
18,144	537,2	537,5	99,93	101,21	0,172	0,146	227	0,2839931
18,091	537,2	537,5	100,27	101,60	0,172	0,146	228	0,2830123
18,000	537,2	537,5	100,93	102,19	0,172	0,146	229	0,2814645
18,029	537,2	537,5	100,71	102,01	0,172	0,146	230	0,2819986
17,846	537,2	537,5	101,58	102,95	0,172	0,146	231	0,2792554
18,239	537,2	537,5	99,45	100,73	0,172	0,146	232	0,2854083
18,106	537,2	537,5	100,07	101,44	0,172	0,146	233	0,2833627
18,094	537,2	537,5	100,16	101,46	0,172	0,146	234	0,2832717
18,044	537,2	537,5	100,53	101,84	0,172	0,146	235	0,2823632
17,949	537,2	537,5	100,91	102,22	0,172	0,146	236	0,2810874
18,170	537,1	537,4	99,74	101,02	0,172	0,147	237	0,2845368
18,019	537,1	537,4	100,67	101,97	0,172	0,147	238	0,2819986
18,006	537,0	537,4	100,61	101,89	0,172	0,147	239	0,2819992
17,951	536,9	537,3	100,97	102,27	0,172	0,147	240	0,2810862

18,250	536,9	537,3	99,41	100,65	0,173	0,147	241	0,2857956
18,046	536,8	537,2	100,36	101,64	0,173	0,147	242	0,2827258
18,010	536,8	537,2	100,57	101,85	0,172	0,147	243	0,2821352
18,164	536,8	537,2	99,74	100,94	0,173	0,147	244	0,2845356
17,967	536,7	537,1	100,83	102,01	0,173	0,146	245	0,2814551
18,127	536,7	537,1	99,92	101,20	0,173	0,147	246	0,2839936
17,970	536,7	537,1	100,81	102,10	0,173	0,147	247	0,2815196
18,616	536,7	537,1	97,30	98,54	0,173	0,147	248	0,2916674
18,127	536,7	537,0	99,94	101,22	0,173	0,147	249	0,2839921
17,811	536,7	537,0	101,82	103,12	0,173	0,147	250	0,2788879
17,914	536,7	537,0	101,17	102,47	0,173	0,147	251	0,2805889
17,995	536,6	537,0	100,62	101,97	0,173	0,147	252	0,2819985
18,118	536,6	537,0	99,90	101,25	0,173	0,147	253	0,2839934
17,875	536,6	536,9	101,27	102,57	0,173	0,147	254	0,2801718
17,672	536,6	536,9	102,40	103,71	0,173	0,147	255	0,2770369
18,042	536,5	536,9	100,39	101,68	0,173	0,147	256	0,2827179
18,073	536,5	536,9	100,16	101,46	0,173	0,147	257	0,2832703
17,961	536,5	536,8	100,87	102,25	0,173	0,147	258	0,2814513
18,241	536,4	536,8	99,20	100,62	0,173	0,147	259	0,2859261
18,174	536,4	536,8	99,62	100,86	0,173	0,147	260	0,2848946
17,994	536,4	536,8	100,65	101,94	0,173	0,147	261	0,281998
17,957	536,4	536,7	100,85	102,19	0,173	0,147	262	0,2814502
18,312	536,3	536,7	98,96	100,14	0,173	0,147	263	0,2870489
18,285	536,3	536,7	98,98	100,25	0,173	0,147	264	0,286692
18,031	536,3	536,6	100,45	101,61	0,173	0,147	265	0,2827239
18,110	536,2	536,6	99,93	101,20	0,173	0,147	266	0,2839924
18,150	536,2	536,6	99,81	101,04	0,173	0,147	267	0,2845371
18,028	536,2	536,6	100,37	101,77	0,173	0,147	268	0,2827209
18,166	536,2	536,6	99,60	100,88	0,173	0,147	269	0,2848937
17,799	536,2	536,6	101,66	102,99	0,173	0,147	270	0,2791265
18,029	536,3	536,6	100,37	101,66	0,173	0,147	271	0,2827234
17,840	536,2	536,5	101,41	102,71	0,173	0,147	272	0,2798029
18,164	536,2	536,5	99,60	100,83	0,173	0,147	273	0,2848935
17,982	536,1	536,5	100,65	101,94	0,173	0,147	274	0,2819908
17,865	536,1	536,5	101,30	102,55	0,173	0,147	275	0,2801701
17,613	536,1	536,4	102,72	104,02	0,173	0,147	276	0,2762957
18,031	536,0	536,4	100,37	101,66	0,173	0,147	277	0,2827861
18,061	536,0	536,4	100,20	101,48	0,173	0,147	278	0,2832677
18,025	536,0	536,4	100,39	101,67	0,173	0,147	279	0,2827236
18,157	536,0	536,4	99,70	100,80	0,173	0,147	280	0,2848944
18,146	536,0	536,3	99,63	100,90	0,173	0,147	281	0,2847626
18,002	535,9	536,3	100,56	101,86	0,173	0,147	282	0,2823453
17,981	535,9	536,3	100,68	101,97	0,173	0,147	283	0,2819962
18,216	535,9	536,3	99,36	100,63	0,173	0,147	284	0,2857051
18,019	535,9	536,3	100,54	101,72	0,173	0,147	285	0,2826315
18,102	535,9	536,3	99,95	101,23	0,173	0,147	286	0,2839753
17,977	535,9	536,3	100,66	101,95	0,173	0,147	287	0,2819961
17,860	535,9	536,3	101,31	102,61	0,173	0,147	288	0,2801706
18,121	535,9	536,2	99,84	101,12	0,173	0,147	289	0,2842884
18,317	535,9	536,2	98,74	100,01	0,173	0,147	290	0,2874061
17,861	535,9	536,2	101,26	102,57	0,173	0,147	291	0,2802529
18,132	535,8	536,2	99,73	101,02	0,173	0,147	292	0,2845332
17,987	535,8	536,2	100,51	101,74	0,173	0,147	293	0,2823101
17,939	535,8	536,1	100,85	102,15	0,173	0,147	294	0,2814491
17,991	535,8	536,1	100,50	101,79	0,173	0,147	295	0,2823599
18,139	535,7	536,1	99,80	101,08	0,173	0,147	296	0,2845325
18,195	535,7	536,1	99,48	100,75	0,173	0,147	297	0,2854325
17,884	535,7	536,1	101,25	102,52	0,173	0,147	298	0,2805362
18,164	535,7	536,0	99,69	100,98	0,173	0,147	299	0,2848925
17,978	535,7	536,0	100,69	101,98	0,173	0,147	300	0,2820075
17,799	535,7	536,0	101,71	103,05	0,173	0,147	301	0,2792521
17,829	535,7	536,0	101,44	102,75	0,173	0,147	302	0,2798036

17,935	535,7	536,0	100,85	102,15	0,173	0,147	303	0,2814494
17,918	535,7	536,0	101,02	102,32	0,173	0,147	304	0,2810845
17,918	535,7	536,0	101,01	102,32	0,173	0,147	305	0,2810929
18,016	535,7	536,0	100,40	101,70	0,173	0,147	306	0,2827225
17,874	535,6	535,9	101,18	102,44	0,173	0,147	307	0,2805353
17,904	535,6	536,0	100,95	102,32	0,173	0,147	308	0,2810839
17,869	535,6	535,9	101,26	102,46	0,173	0,147	309	0,2805334
17,985	535,6	535,9	100,50	101,80	0,173	0,147	310	0,2823592
18,182	535,6	535,9	99,42	100,71	0,173	0,147	311	0,2854327
18,015	535,6	535,9	100,32	101,64	0,173	0,147	312	0,2828131
18,146	535,6	535,9	99,62	100,90	0,173	0,147	313	0,2848876
17,821	535,5	535,9	101,42	102,78	0,173	0,147	314	0,2798022
17,782	535,6	535,9	101,53	102,79	0,173	0,147	315	0,2792527
18,395	535,5	535,9	98,15	99,48	0,173	0,147	316	0,2888207
18,090	535,5	535,8	99,88	101,23	0,173	0,147	317	0,2839919
17,989	535,5	535,8	100,55	101,85	0,173	0,147	318	0,2823608
17,986	535,5	535,8	100,54	101,83	0,173	0,147	319	0,2823597
17,906	535,5	535,8	100,96	102,29	0,173	0,147	320	0,2810954
18,047	535,5	535,8	100,23	101,56	0,173	0,147	321	0,2832685
17,904	535,4	535,8	100,91	102,25	0,173	0,147	322	0,2810844
17,988	535,4	535,8	100,52	101,84	0,173	0,147	323	0,2823593
17,968	535,5	535,8	100,68	101,97	0,173	0,147	324	0,2820164
17,968	535,4	535,8	100,70	102,00	0,173	0,147	325	0,2819901
17,991	535,4	535,8	100,57	101,85	0,173	0,147	326	0,2823585
17,991	535,4	535,7	100,58	101,87	0,173	0,147	327	0,2823525
17,847	535,4	535,7	101,43	102,76	0,173	0,147	328	0,2800071
18,008	535,3	535,7	100,42	101,61	0,173	0,147	329	0,282722
18,144	535,3	535,7	99,60	100,82	0,173	0,147	330	0,2848923
17,983	535,3	535,7	100,52	101,78	0,173	0,147	331	0,2823582
18,152	535,3	535,6	99,65	100,95	0,173	0,147	332	0,2849311
18,152	535,3	535,6	99,70	100,87	0,173	0,147	333	0,2848911
18,210	535,2	535,6	99,39	100,60	0,173	0,147	334	0,2857912
17,965	535,2	535,6	100,72	101,90	0,173	0,147	335	0,2819942
17,840	535,3	535,6	101,20	102,62	0,173	0,147	336	0,2801687
17,981	535,3	535,6	100,54	101,84	0,173	0,147	337	0,282358
17,959	535,2	535,6	100,68	101,95	0,173	0,147	338	0,2819942
17,815	535,2	535,6	101,45	102,75	0,173	0,147	339	0,2798019
17,922	535,2	535,6	100,87	102,17	0,173	0,147	340	0,2814473
17,920	535,2	535,6	100,86	102,09	0,173	0,147	341	0,2814495
18,079	535,2	535,6	99,94	101,22	0,173	0,147	342	0,2839898
17,961	535,2	535,5	100,62	101,80	0,173	0,147	343	0,2821079
18,117	535,2	535,5	99,74	100,99	0,173	0,147	344	0,2845296
17,835	535,2	535,5	101,37	102,60	0,173	0,147	345	0,2801685
17,897	535,2	535,5	100,99	102,29	0,173	0,147	346	0,2810827
18,000	535,2	535,5	100,40	101,63	0,173	0,147	347	0,2827211
18,098	535,2	535,5	99,84	101,13	0,173	0,147	348	0,2842904
17,698	535,2	535,5	102,16	103,45	0,173	0,147	349	0,2779587
17,961	535,2	535,5	100,50	101,88	0,173	0,147	350	0,2821781
18,066	535,1	535,5	99,92	101,31	0,173	0,147	351	0,283791
18,037	535,1	535,5	100,23	101,52	0,173	0,147	352	0,2832658
18,140	535,1	535,5	99,66	100,94	0,173	0,147	353	0,284892
17,919	535,1	535,5	100,86	102,19	0,173	0,147	354	0,281415
18,114	535,1	535,5	99,77	101,05	0,173	0,147	355	0,2845316
17,952	535,1	535,5	100,67	101,96	0,173	0,147	356	0,2819938
17,974	535,1	535,4	100,53	101,83	0,173	0,147	357	0,2823582
17,953	535,1	535,5	100,67	101,97	0,173	0,147	358	0,281995
17,899	535,1	535,4	100,99	102,37	0,173	0,147	359	0,2810828
17,953	535,1	535,4	100,65	101,97	0,173	0,147	360	0,2819957
17,975	535,1	535,4	100,54	101,75	0,173	0,147	361	0,2823595
18,192	535,1	535,4	99,29	100,57	0,173	0,147	362	0,2858436
17,717	535,1	535,4	101,99	103,30	0,173	0,147	363	0,2783345
17,896	535,0	535,4	101,02	102,32	0,173	0,147	364	0,2810831

18,126	535,0	535,4	99,69	100,96	0,173	0,147	365	0,2847704
17,829	535,1	535,4	101,35	102,66	0,173	0,147	366	0,2800917
18,190	535,1	535,4	99,32	100,55	0,173	0,147	367	0,2857903
17,774	535,0	535,4	101,65	102,89	0,173	0,147	368	0,2792491
17,897	535,0	535,4	100,91	102,31	0,173	0,147	369	0,2810826
17,837	535,1	535,4	101,32	102,63	0,173	0,147	370	0,2802007
18,133	535,1	535,4	99,63	100,92	0,173	0,147	371	0,2848917
17,974	535,1	535,3	100,54	101,73	0,173	0,147	372	0,2823594
17,610	535,1	535,3	102,60	103,93	0,173	0,147	373	0,2766668
17,858	535,0	535,3	101,21	102,51	0,173	0,147	374	0,2805367
18,189	535,0	535,3	99,32	100,61	0,173	0,147	375	0,2857904
18,073	535,0	535,3	99,94	101,20	0,173	0,147	376	0,2839894
18,130	535,0	535,3	99,64	100,92	0,173	0,147	377	0,2848894
17,853	535,0	535,3	101,18	102,49	0,173	0,147	378	0,2805328
18,076	535,0	535,3	99,97	101,26	0,173	0,147	379	0,2839892
18,130	535,0	535,3	99,64	100,90	0,173	0,147	380	0,2848907
17,851	535,0	535,3	101,17	102,48	0,173	0,147	381	0,2805332
18,163	535,0	535,3	99,47	100,75	0,173	0,147	382	0,285383
18,166	535,0	535,3	99,45	100,74	0,173	0,147	383	0,2854313
17,970	535,0	535,3	100,49	101,76	0,173	0,147	384	0,2823577
18,048	535,0	535,3	100,07	101,28	0,173	0,147	385	0,2836184
18,189	535,0	535,3	99,28	100,63	0,173	0,147	386	0,2857733
17,917	535,0	535,3	100,94	102,20	0,173	0,147	387	0,2814465
18,253	535,0	535,3	99,10	100,34	0,173	0,147	388	0,2866869
18,168	535,0	535,3	99,42	100,78	0,173	0,147	389	0,2853945
18,168	534,9	535,2	99,47	100,72	0,173	0,147	390	0,2854312
17,972	534,9	535,2	100,55	101,85	0,173	0,147	391	0,2823579
17,857	534,9	535,2	101,22	102,52	0,173	0,147	392	0,2805324
17,852	534,9	535,2	101,24	102,58	0,173	0,147	393	0,2804307
18,033	534,9	535,2	100,26	101,56	0,173	0,147	394	0,283263
18,032	534,9	535,2	100,25	101,54	0,173	0,147	395	0,2832656
17,975	534,9	535,2	100,57	101,87	0,173	0,147	396	0,2823693
17,859	534,9	535,2	101,21	102,56	0,173	0,147	397	0,280561
18,252	534,9	535,2	99,07	100,24	0,173	0,147	398	0,2866869
17,856	534,8	535,1	101,23	102,53	0,173	0,147	399	0,2805339
18,052	534,8	535,1	100,16	101,45	0,173	0,147	400	0,2835742
17,954	534,8	535,1	100,72	102,02	0,173	0,147	401	0,2820156
18,078	534,8	535,1	100,02	101,36	0,173	0,147	402	0,2839896
18,191	534,8	535,1	99,41	100,69	0,173	0,147	403	0,2857487
18,133	534,8	535,1	99,72	100,90	0,173	0,147	404	0,2848331
17,818	534,8	535,1	101,54	102,86	0,173	0,147	405	0,2797919
17,860	534,8	535,1	101,25	102,45	0,173	0,147	406	0,2805333
17,993	534,8	535,1	100,52	101,80	0,173	0,147	407	0,2826295
17,917	534,8	535,1	100,90	102,22	0,173	0,147	408	0,2814532
17,889	534,8	535,1	101,02	102,33	0,173	0,147	409	0,2810825
18,166	534,8	535,1	99,48	100,77	0,173	0,147	410	0,2854317
18,111	534,8	535,1	99,74	101,10	0,173	0,147	411	0,2845317
17,899	534,8	535,1	100,99	102,30	0,173	0,147	412	0,2812105
18,133	534,8	535,1	99,61	100,97	0,173	0,147	413	0,2848906
17,970	534,8	535,1	100,57	101,78	0,173	0,147	414	0,2823574
18,031	534,8	535,1	100,26	101,46	0,173	0,147	415	0,2832651
18,070	534,8	535,1	100,03	101,28	0,173	0,147	416	0,2839102
18,132	534,7	535,0	99,69	100,98	0,173	0,147	417	0,2848909
18,076	534,8	535,0	100,01	101,30	0,173	0,147	418	0,2839875
17,884	534,7	535,0	101,04	102,26	0,173	0,147	419	0,28104
17,950	534,7	535,0	100,75	102,06	0,173	0,147	420	0,2819591
18,391	534,7	535,0	98,38	99,65	0,173	0,147	421	0,2888262
17,836	534,7	535,0	101,40	102,63	0,173	0,147	422	0,280169
18,111	534,7	535,0	99,81	101,10	0,173	0,147	423	0,2845069
17,841	534,7	535,0	101,33	102,70	0,173	0,147	424	0,2801813
17,980	534,7	535,0	100,65	101,95	0,173	0,147	425	0,2823563
18,083	534,7	535,0	100,06	101,36	0,173	0,147	426	0,283989

18,034	534,7	535,0	100,30	101,55	0,173	0,147	427	0,2832668
18,079	534,6	535,0	100,05	101,23	0,173	0,147	428	0,2839882
18,076	534,6	534,9	100,05	101,44	0,173	0,147	429	0,2839886
17,913	534,6	534,9	100,90	102,23	0,173	0,147	430	0,2814458
17,985	534,7	535,0	100,49	101,81	0,173	0,147	431	0,2825874
17,973	534,7	534,9	100,64	101,95	0,173	0,147	432	0,2823084
17,811	534,6	534,9	101,54	102,85	0,173	0,147	433	0,2797981
17,836	534,6	534,9	101,42	102,73	0,173	0,147	434	0,2801667
17,954	534,6	534,9	100,75	102,04	0,173	0,147	435	0,2820421
17,858	534,6	534,9	101,29	102,54	0,173	0,147	436	0,2805286
17,997	534,6	534,9	100,50	101,79	0,173	0,147	437	0,2827199
18,136	534,6	534,9	99,63	101,03	0,173	0,147	438	0,2848902
18,076	534,6	534,9	100,04	101,34	0,173	0,147	439	0,2839873
17,896	534,6	534,9	101,02	102,36	0,173	0,147	440	0,281159
18,028	534,6	534,9	100,29	101,59	0,173	0,147	441	0,2832637
17,971	534,5	534,9	100,62	101,87	0,173	0,147	442	0,2823568
18,091	534,5	534,9	99,91	101,13	0,173	0,147	443	0,2842496
17,773	534,5	534,8	101,74	103,06	0,173	0,147	444	0,2792481
18,186	534,5	534,8	99,40	100,68	0,173	0,147	445	0,2857898
18,322	534,5	534,9	98,62	99,92	0,173	0,147	446	0,2879373
17,767	534,5	534,8	101,74	103,06	0,173	0,147	447	0,2792002
17,905	534,5	534,8	100,90	102,21	0,173	0,147	448	0,2814478
17,989	534,5	534,8	100,47	101,77	0,173	0,147	449	0,2827197
18,031	534,5	534,8	100,11	101,41	0,173	0,147	450	0,2834009
18,510	534,5	534,8	97,61	98,87	0,173	0,147	451	0,2909668
18,206	534,5	534,8	99,28	100,49	0,173	0,147	452	0,2861472
17,825	534,4	534,8	101,39	102,70	0,173	0,147	453	0,280166
17,823	534,4	534,8	101,38	102,63	0,173	0,147	454	0,280166
17,712	534,4	534,8	102,09	103,38	0,173	0,147	455	0,2783608
18,163	534,4	534,7	99,54	100,82	0,173	0,147	456	0,2854302
18,030	534,4	534,7	100,33	101,62	0,173	0,147	457	0,2832632
18,057	534,4	534,7	100,15	101,35	0,173	0,147	458	0,2837448
17,993	534,3	534,7	100,52	101,81	0,173	0,147	459	0,2827195
17,969	534,3	534,7	100,65	101,94	0,173	0,147	460	0,2823559
17,885	534,4	534,7	101,09	102,39	0,173	0,147	461	0,281081
18,230	534,4	534,7	99,13	100,42	0,173	0,147	462	0,2865404
18,132	534,4	534,7	99,75	101,04	0,173	0,147	463	0,2848959
18,122	534,3	534,7	99,71	100,99	0,173	0,147	464	0,2848888
17,730	534,3	534,7	101,88	103,25	0,173	0,147	465	0,2786995
18,059	534,3	534,6	100,12	101,31	0,173	0,147	466	0,2838165
17,905	534,3	534,6	100,95	102,25	0,173	0,147	467	0,2814441
17,883	534,3	534,6	101,08	102,39	0,173	0,147	468	0,2810805
17,985	534,3	534,6	100,44	101,68	0,173	0,147	469	0,2827187
18,113	534,3	534,6	99,77	100,96	0,173	0,147	470	0,2847527
18,065	534,2	534,6	100,04	101,29	0,173	0,147	471	0,2839873
18,065	534,2	534,6	100,05	101,33	0,173	0,147	472	0,2839866
17,982	534,2	534,6	100,42	101,80	0,173	0,147	473	0,2827184
18,025	534,2	534,6	100,32	101,54	0,173	0,147	474	0,2833362
18,014	534,2	534,5	100,21	101,57	0,173	0,147	475	0,2832638
18,174	534,2	534,5	99,38	100,65	0,173	0,147	476	0,2858124
17,838	534,2	534,5	101,23	102,53	0,173	0,147	477	0,2805655
17,695	534,1	534,5	102,00	103,28	0,173	0,147	478	0,2783278
18,112	534,1	534,5	99,69	100,93	0,173	0,147	479	0,2848887
17,978	534,1	534,5	100,48	101,77	0,173	0,147	480	0,282719
18,099	534,1	534,5	99,70	101,03	0,173	0,147	481	0,2846446
17,871	534,1	534,5	101,05	102,35	0,173	0,147	482	0,2810797
18,055	534,1	534,5	100,00	101,31	0,173	0,147	483	0,2839861
17,928	534,1	534,4	100,73	102,03	0,173	0,147	484	0,2819915
17,866	534,1	534,4	101,03	102,23	0,173	0,147	485	0,2810805
18,168	534,1	534,4	99,36	100,67	0,173	0,147	486	0,285763
17,889	534,1	534,4	100,81	102,20	0,173	0,147	487	0,2814445
18,012	534,1	534,4	100,24	101,48	0,173	0,147	488	0,2832628

18,010	534,1	534,4	100,18	101,46	0,173	0,147	489	0,2832637
18,090	534,1	534,4	99,81	101,07	0,173	0,147	490	0,2845289
18,093	534,0	534,4	99,85	101,11	0,173	0,147	491	0,2845296

Average	Average	Average	Proportional Rates Medium/low fire					Average
17,60	Inlet +	Inlet +						0,271
	Outlet	Outlet	Average	Average	#1	#2		
Tunnel	Temp.	Temp.	101,18	102,34	System 1	System 2		SQRT
Velocity	Meter 1	Meter 2	Proportional Rates		Vol.Std.	Vol.Std.		Delta-P
			PR1	PR2			Time	
Ft/Sec	Deg. R	Deg. R	%	%	(ft3)	(ft3)	min	(in H2O)2
17,894	535,5	535,6			0,169	0,144	0	0,2701366
18,077	535,4	535,5	101,31	102,50	0,169	0,144	1	0,2744312
17,283	535,4	535,5	104,71	105,89	0,169	0,144	2	0,2639465
17,587	535,5	535,5	104,24	105,47	0,169	0,144	3	0,2668472
17,921	535,5	535,5	103,40	104,65	0,169	0,144	4	0,2704783
17,712	535,5	535,5	104,44	105,67	0,169	0,144	5	0,2675473
17,848	535,5	535,6	103,72	104,96	0,169	0,144	6	0,2695202
17,449	535,6	535,7	106,11	107,33	0,169	0,144	7	0,2635581
17,606	535,7	535,7	104,73	105,93	0,169	0,144	8	0,2663707
17,955	535,8	535,8	102,27	103,49	0,169	0,144	9	0,2721775
17,322	535,8	535,8	105,96	107,22	0,169	0,144	10	0,2625956
18,035	535,9	535,9	101,80	103,01	0,169	0,144	11	0,2734955
17,218	536,0	535,9	106,85	108,12	0,169	0,144	12	0,2608201
17,642	536,0	536,0	103,98	105,14	0,169	0,144	13	0,267618
17,275	536,1	536,0	105,72	107,01	0,169	0,144	14	0,2625836
17,426	536,1	536,1	104,49	105,74	0,169	0,144	15	0,2653039
17,438	536,2	536,1	104,27	105,58	0,169	0,144	16	0,2656651
17,307	536,2	536,2	105,13	106,38	0,169	0,144	17	0,2635803
17,517	536,2	536,2	103,81	105,05	0,169	0,144	18	0,2668477
17,861	536,3	536,2	101,73	102,95	0,169	0,144	19	0,2721782
17,646	536,3	536,3	103,16	104,47	0,169	0,144	20	0,2686439
17,529	536,3	536,3	103,87	105,10	0,169	0,144	21	0,2668476
17,587	536,3	536,3	103,61	104,83	0,169	0,144	22	0,2676149
17,711	536,3	536,4	102,86	104,07	0,169	0,144	23	0,2695259
17,945	536,3	536,4	101,53	102,81	0,169	0,144	24	0,2731164
17,352	536,3	536,4	105,09	106,31	0,169	0,144	25	0,2639469
17,856	536,4	536,4	101,97	103,16	0,169	0,144	26	0,2718006
17,807	536,4	536,5	102,37	103,49	0,169	0,144	27	0,2709895
17,446	536,4	536,5	104,74	105,93	0,169	0,144	28	0,2652238
17,662	536,4	536,5	103,31	104,50	0,169	0,144	29	0,2685715
17,285	536,5	536,5	105,74	106,99	0,169	0,144	30	0,2625826
17,728	536,5	536,6	102,92	104,22	0,169	0,144	31	0,2695254
17,905	536,6	536,6	102,11	103,30	0,169	0,144	32	0,2720735
17,557	536,6	536,7	103,97	105,31	0,169	0,144	33	0,2668471
17,342	536,7	536,7	105,29	106,51	0,169	0,144	34	0,2635586
17,645	536,7	536,7	103,44	104,66	0,169	0,144	35	0,2681835
17,732	536,7	536,7	102,98	104,18	0,169	0,144	36	0,2695258
17,437	536,8	536,8	104,85	106,10	0,169	0,144	37	0,2649142
17,527	536,8	536,8	104,30	105,45	0,169	0,144	38	0,2662697
17,818	536,9	536,9	102,65	103,95	0,169	0,144	39	0,2704769
17,845	537,0	536,9	102,50	103,77	0,169	0,144	40	0,2708549
17,773	537,0	537,0	102,87	104,02	0,169	0,143	41	0,2699056
17,845	537,0	537,0	102,61	103,83	0,169	0,144	42	0,270855
17,906	537,1	537,0	102,19	103,35	0,169	0,144	43	0,2718697
17,621	537,1	537,1	103,66	104,87	0,169	0,143	44	0,2676468
17,900	537,1	537,1	102,14	103,32	0,169	0,143	45	0,2718014
17,784	537,2	537,2	102,96	104,18	0,169	0,144	46	0,2699024
17,495	537,2	537,2	104,80	106,03	0,169	0,144	47	0,265312
17,656	537,3	537,2	103,82	105,16	0,169	0,144	48	0,2676493
17,410	537,3	537,3	105,36	106,57	0,169	0,144	49	0,2639488
17,869	537,4	537,3	102,66	103,88	0,169	0,143	50	0,2708557
17,477	537,4	537,3	105,05	106,31	0,169	0,143	51	0,2648168
17,549	537,4	537,4	104,74	105,88	0,169	0,144	52	0,2658854
17,563	537,4	537,4	104,42	105,59	0,169	0,143	53	0,2662702
17,501	537,5	537,4	104,72	106,00	0,169	0,143	54	0,2653052

17,966	537,5	537,4	102,09	103,23	0,169	0,143	55	0,2724511
17,924	537,5	537,5	102,26	103,45	0,169	0,143	56	0,2718015
17,548	537,6	537,5	104,60	105,84	0,169	0,143	57	0,2658859
17,364	537,6	537,5	105,64	106,90	0,169	0,143	58	0,2631839
17,562	537,6	537,6	104,39	105,65	0,169	0,143	59	0,2662182
17,325	537,7	537,6	105,87	107,13	0,169	0,143	60	0,2625839
17,297	537,7	537,6	106,01	107,27	0,169	0,143	61	0,2621936
17,576	537,7	537,7	104,33	105,45	0,169	0,143	62	0,2664124
17,367	537,8	537,7	105,30	106,55	0,169	0,143	63	0,2635886
17,560	537,8	537,8	104,34	105,57	0,169	0,143	64	0,2662702
17,630	537,8	537,8	104,00	105,17	0,169	0,143	65	0,2672325
17,245	537,8	537,8	106,50	107,75	0,169	0,143	66	0,2611809
17,630	537,8	537,8	103,91	105,13	0,169	0,143	67	0,2673362
17,379	537,8	537,9	105,38	106,62	0,169	0,143	68	0,2635601
17,500	537,9	537,9	104,72	105,95	0,169	0,143	69	0,2653062
17,576	537,9	537,9	104,39	105,67	0,169	0,143	70	0,2662909
17,454	537,9	537,9	104,49	105,66	0,169	0,143	71	0,265309
18,142	537,9	537,9	100,49	101,68	0,169	0,143	72	0,2757391
17,346	537,8	537,9	104,81	106,09	0,169	0,143	73	0,2639574
17,449	537,8	537,9	104,70	105,92	0,169	0,143	74	0,264953
17,946	537,8	537,9	101,33	102,48	0,169	0,143	75	0,2731211
17,477	537,9	537,9	104,12	105,34	0,169	0,143	76	0,2658849
17,335	538,0	538,0	105,40	106,64	0,169	0,143	77	0,2631703
17,383	538,1	538,1	105,36	106,60	0,169	0,143	78	0,2635598
17,558	538,2	538,2	104,24	105,44	0,169	0,143	79	0,2662699
17,566	538,3	538,3	104,20	105,51	0,168	0,143	80	0,266271
17,453	538,4	538,3	104,87	106,06	0,168	0,143	81	0,2646158
17,330	538,5	538,4	105,73	107,01	0,168	0,143	82	0,2625905
17,382	538,6	538,5	105,26	106,52	0,168	0,143	83	0,2635606
17,607	538,6	538,5	104,00	105,24	0,168	0,143	84	0,266849
17,392	538,6	538,6	105,30	106,46	0,168	0,143	85	0,2635648
17,376	538,7	538,6	105,12	106,35	0,168	0,143	86	0,2635606
17,486	538,8	538,7	104,46	105,72	0,168	0,143	87	0,2653062
17,526	538,8	538,7	103,93	105,18	0,168	0,143	88	0,2662719
17,437	538,8	538,8	104,45	105,73	0,168	0,143	89	0,264934
17,525	538,9	538,8	103,91	105,16	0,168	0,143	90	0,2662728
17,456	538,9	538,8	104,26	105,50	0,168	0,143	91	0,2653073
17,656	538,9	538,8	103,27	104,50	0,168	0,143	92	0,2681011
17,385	538,8	538,8	104,91	106,06	0,168	0,143	93	0,26395
17,488	538,9	538,8	104,00	105,13	0,168	0,143	94	0,2658872
17,875	538,9	538,8	101,69	102,87	0,168	0,143	95	0,2718028
17,699	538,9	538,8	102,78	104,08	0,168	0,143	96	0,2689577
17,585	538,9	538,9	103,51	104,69	0,168	0,143	97	0,2672346
17,366	538,9	538,9	104,79	106,03	0,168	0,143	98	0,2639497
17,542	538,9	538,9	103,56	104,79	0,168	0,143	99	0,2668509
17,508	538,9	538,9	103,83	105,04	0,168	0,143	100	0,266271
17,466	538,9	538,9	103,87	105,09	0,168	0,143	101	0,2658869
17,609	538,9	538,9	102,87	103,98	0,168	0,143	102	0,2682547
17,550	538,8	538,8	103,02	104,24	0,168	0,143	103	0,2676184
17,901	538,8	538,8	100,88	102,09	0,168	0,143	104	0,273124
17,573	538,7	538,7	102,74	103,95	0,168	0,143	105	0,2681898
18,067	538,7	538,7	99,93	101,10	0,168	0,143	106	0,275748
17,544	538,7	538,7	103,02	104,24	0,168	0,143	107	0,2676188
17,484	538,7	538,7	103,26	104,45	0,168	0,143	108	0,2668514
17,277	538,7	538,7	104,35	105,58	0,168	0,143	109	0,2638784
17,514	538,7	538,7	103,11	104,24	0,168	0,143	110	0,2672802
17,525	538,6	538,7	102,91	104,10	0,168	0,143	111	0,2676206
17,704	538,6	538,7	101,99	103,19	0,168	0,143	112	0,2702033
17,486	538,6	538,7	103,21	104,41	0,168	0,143	113	0,2669453
17,269	538,6	538,7	104,25	105,47	0,168	0,143	114	0,2639584
17,544	538,6	538,7	102,59	103,79	0,168	0,143	115	0,2681942
18,220	538,6	538,7	98,93	100,08	0,168	0,143	116	0,2783315

17,572	538,5	538,7	102,58	103,83	0,168	0,143	117	0,268441
17,658	538,5	538,6	101,98	103,04	0,168	0,143	118	0,2699102
17,665	538,5	538,6	102,07	103,20	0,168	0,143	119	0,269911
18,218	538,5	538,6	98,94	100,08	0,168	0,143	120	0,2783356
17,429	538,5	538,6	103,16	104,36	0,168	0,143	121	0,2666089
17,509	538,4	538,6	102,86	104,04	0,168	0,143	122	0,2676205
17,472	538,4	538,6	103,10	104,35	0,168	0,143	123	0,2670284
17,522	538,5	538,6	102,68	103,85	0,168	0,143	124	0,2679456
17,535	538,4	538,6	102,65	103,85	0,169	0,143	125	0,2681945
17,480	538,4	538,5	102,69	103,88	0,169	0,143	126	0,2676227
17,385	538,3	538,5	103,48	104,57	0,169	0,143	127	0,2660229
17,612	538,3	538,5	102,02	103,19	0,169	0,143	128	0,2695402
17,542	538,4	538,5	102,33	103,52	0,168	0,143	129	0,2685765
17,388	538,3	538,4	103,20	104,36	0,168	0,143	130	0,2662749
17,603	538,3	538,4	101,93	103,12	0,168	0,143	131	0,2695894
17,382	538,2	538,4	102,68	103,86	0,168	0,143	132	0,2668642
17,588	538,2	538,3	101,91	103,09	0,168	0,143	133	0,2695311
17,470	538,2	538,3	102,56	103,87	0,168	0,143	134	0,2676199
17,615	538,3	538,3	101,67	102,91	0,168	0,143	135	0,2699519
17,818	538,2	538,3	100,53	101,65	0,168	0,143	136	0,2731242
17,670	538,2	538,3	101,38	102,56	0,169	0,143	137	0,2708598
17,597	538,2	538,3	101,70	102,93	0,169	0,143	138	0,2699131
17,427	538,2	538,3	102,76	103,92	0,169	0,143	139	0,267242
17,494	538,2	538,2	102,43	103,57	0,169	0,143	140	0,2681959
17,879	538,2	538,2	99,93	101,16	0,169	0,143	141	0,2744371
17,449	538,2	538,2	102,55	103,66	0,169	0,143	142	0,2677367
17,717	538,2	538,2	100,95	102,10	0,169	0,143	143	0,2718077
17,629	538,2	538,2	101,15	102,34	0,169	0,143	144	0,27086
17,466	538,2	538,2	102,20	103,41	0,169	0,143	145	0,2682044
17,516	538,2	538,2	101,93	103,06	0,169	0,143	146	0,2689571
17,609	538,2	538,1	101,32	102,52	0,169	0,143	147	0,2704796
17,619	538,1	538,1	101,10	102,22	0,169	0,143	148	0,2708611
17,859	538,1	538,1	99,80	101,04	0,169	0,143	149	0,274437
17,830	538,1	538,1	99,93	101,07	0,169	0,143	150	0,2740725
17,420	538,1	538,1	102,40	103,61	0,169	0,143	151	0,2676209
17,606	538,1	538,1	101,31	102,51	0,169	0,143	152	0,2704817
17,514	538,1	538,1	101,78	103,00	0,169	0,143	153	0,2691605
17,749	538,1	538,1	100,22	101,35	0,169	0,143	154	0,2731238
17,460	538,1	538,1	101,94	103,10	0,169	0,143	155	0,2685769
17,762	538,1	538,1	100,24	101,36	0,169	0,143	156	0,2731235
17,475	538,1	538,1	101,80	103,12	0,168	0,143	157	0,2686992
17,442	538,1	538,1	102,09	103,29	0,168	0,143	158	0,2681956
17,435	538,1	538,2	102,05	103,24	0,169	0,143	159	0,2681948
17,617	538,1	538,2	101,10	102,28	0,169	0,143	160	0,270851
17,325	538,1	538,2	102,82	104,03	0,169	0,143	161	0,2663309
17,584	538,1	538,2	101,18	102,37	0,169	0,143	162	0,2704798
18,012	538,1	538,2	98,79	99,85	0,169	0,143	163	0,2770431
18,280	538,2	538,2	97,14	98,29	0,169	0,143	164	0,2814536
17,500	538,1	538,1	101,41	102,61	0,169	0,143	165	0,2695307
17,759	538,1	538,1	99,96	101,13	0,169	0,143	166	0,2734986
17,706	538,0	538,1	100,26	101,43	0,169	0,143	167	0,2726788
17,433	538,0	538,1	101,76	102,95	0,169	0,143	168	0,2685757
17,788	538,0	538,1	99,72	100,88	0,169	0,143	169	0,2740618
17,434	538,0	538,1	101,67	102,95	0,168	0,143	170	0,2685807
17,487	538,0	538,1	101,37	102,54	0,169	0,143	171	0,269531
17,656	538,0	538,1	100,37	101,54	0,169	0,143	172	0,272169
17,395	538,0	538,0	101,84	103,03	0,169	0,143	173	0,2681969
17,508	538,0	538,0	101,20	102,37	0,169	0,143	174	0,2699122
17,487	537,9	538,0	101,37	102,55	0,169	0,143	175	0,2695304
17,473	537,9	538,0	101,29	102,44	0,169	0,143	176	0,2695311
17,512	537,9	538,0	101,06	102,23	0,169	0,143	177	0,2701509
17,642	537,9	538,0	100,30	101,47	0,169	0,143	178	0,2721835

17,469	537,9	537,9	101,33	102,46	0,169	0,143	179	0,269531
17,432	537,8	537,9	101,46	102,64	0,169	0,143	180	0,2690144
17,720	537,8	537,9	99,85	100,95	0,169	0,143	181	0,2734874
17,535	537,8	537,9	100,97	102,14	0,169	0,143	182	0,2704807
17,701	537,8	537,9	99,97	101,12	0,169	0,143	183	0,2731243
17,467	537,7	537,9	101,36	102,53	0,169	0,143	184	0,2694444
17,710	537,7	537,9	99,75	100,90	0,169	0,143	185	0,2734923
17,448	537,7	537,9	101,11	102,36	0,169	0,143	186	0,2695314
17,516	537,7	537,9	100,84	102,03	0,169	0,143	187	0,2704822
17,286	537,7	537,8	102,26	103,45	0,169	0,143	188	0,2668533
17,685	537,7	537,8	99,88	101,06	0,169	0,143	189	0,2731249
17,283	537,7	537,8	102,26	103,47	0,169	0,143	190	0,266847
17,691	537,7	537,8	99,92	101,08	0,169	0,143	191	0,2731245
17,534	537,7	537,8	100,77	101,91	0,169	0,143	192	0,2708211
17,533	537,6	537,7	100,70	101,82	0,169	0,143	193	0,27086
17,516	537,6	537,7	100,68	101,81	0,169	0,143	194	0,2708598
17,619	537,6	537,7	100,25	101,48	0,169	0,144	195	0,2721835
17,959	537,6	537,7	98,21	99,43	0,169	0,144	196	0,2776003
17,460	537,6	537,7	101,08	102,17	0,169	0,143	197	0,2699161
17,674	537,5	537,6	99,86	100,97	0,169	0,143	198	0,2731241
17,508	537,5	537,6	100,86	102,03	0,169	0,143	199	0,2704817
17,717	537,5	537,6	99,64	100,79	0,169	0,143	200	0,2737505
17,590	537,5	537,6	100,34	101,51	0,169	0,143	201	0,2718193
17,662	537,4	537,6	99,84	100,94	0,169	0,143	202	0,2731395
17,497	537,4	537,6	100,81	101,97	0,169	0,143	203	0,2704822
17,611	537,4	537,6	100,20	101,35	0,169	0,143	204	0,2721945
17,515	537,4	537,5	100,77	101,92	0,169	0,143	205	0,2707091
17,595	537,3	537,5	100,14	101,17	0,169	0,143	206	0,2721795
17,514	537,3	537,5	100,65	101,80	0,169	0,143	207	0,270861
17,367	537,3	537,5	101,53	102,69	0,169	0,143	208	0,2685578
17,585	537,3	537,5	100,35	101,49	0,169	0,143	209	0,2718349
17,437	537,3	537,4	101,16	102,39	0,169	0,144	210	0,2695305
17,727	537,3	537,4	99,51	100,66	0,169	0,144	211	0,2740618
18,001	537,3	537,4	97,95	99,10	0,169	0,143	212	0,2783356
17,589	537,2	537,4	100,24	101,44	0,169	0,143	213	0,2719397
17,393	537,2	537,4	101,34	102,55	0,169	0,144	214	0,2689604
17,368	537,1	537,3	101,54	102,70	0,169	0,144	215	0,2685766
17,727	537,1	537,3	99,55	100,61	0,169	0,143	216	0,274057
17,598	537,1	537,3	100,20	101,34	0,169	0,143	217	0,2721777
17,893	537,0	537,3	98,68	99,72	0,169	0,144	218	0,2766797
17,390	537,0	537,3	101,41	102,55	0,169	0,144	219	0,2689591
17,388	537,1	537,3	101,39	102,54	0,169	0,144	220	0,2689592
17,590	537,1	537,3	100,15	101,30	0,169	0,144	221	0,2721831
17,672	537,1	537,3	99,65	100,78	0,169	0,144	222	0,2734998
17,574	537,0	537,3	100,34	101,48	0,169	0,144	223	0,2718061
17,803	537,0	537,3	98,90	100,07	0,169	0,144	224	0,2754859
17,565	537,1	537,3	100,28	101,43	0,169	0,144	225	0,2718061
17,483	537,1	537,3	100,80	101,90	0,169	0,144	226	0,2705395
17,418	537,1	537,3	101,13	102,23	0,169	0,143	227	0,2695311
17,582	537,0	537,2	100,11	101,25	0,169	0,144	228	0,2721834
17,651	537,0	537,2	99,82	100,95	0,169	0,144	229	0,2731134
17,651	537,0	537,2	99,75	100,96	0,169	0,144	230	0,2731239
17,501	537,0	537,2	100,64	101,78	0,169	0,144	231	0,270862
17,415	537,0	537,2	101,09	102,26	0,169	0,144	232	0,2695603
17,547	537,0	537,2	100,42	101,56	0,169	0,144	233	0,2715135
17,443	537,0	537,2	101,01	102,16	0,169	0,144	234	0,2699113
17,470	537,0	537,2	100,74	101,89	0,169	0,144	235	0,2704819
17,371	537,0	537,2	101,31	102,36	0,169	0,143	236	0,2689587
17,557	536,9	537,1	100,26	101,32	0,169	0,143	237	0,271806
17,576	536,9	537,1	100,00	101,24	0,169	0,144	238	0,2721972
17,367	536,9	537,2	101,29	102,37	0,169	0,144	239	0,2689596
17,726	536,9	537,1	99,35	100,44	0,169	0,144	240	0,2744367

17,640	536,9	537,1	99,80	100,91	0,169	0,144	241	0,2731246
17,640	537,1	537,2	99,89	100,94	0,169	0,143	242	0,2729313
17,609	537,2	537,3	100,24	101,41	0,169	0,143	243	0,2721798
17,806	537,3	537,4	99,41	100,57	0,169	0,144	244	0,2748101
17,740	537,5	537,5	99,96	101,06	0,169	0,143	245	0,2735
17,344	537,6	537,6	102,30	103,41	0,169	0,143	246	0,2672505
17,725	537,8	537,8	100,08	101,27	0,169	0,143	247	0,2731242
17,351	537,9	537,9	102,03	103,24	0,169	0,143	248	0,2676206
17,731	538,0	537,9	99,82	101,00	0,169	0,143	249	0,2735011
17,406	538,0	538,0	101,49	102,72	0,168	0,143	250	0,2686056
17,949	538,0	538,0	98,47	99,62	0,168	0,143	251	0,2770435
17,515	538,0	538,1	100,80	101,96	0,169	0,143	252	0,2704858
17,674	538,0	538,1	99,76	100,92	0,169	0,143	253	0,2731251
17,603	538,0	538,1	100,19	101,37	0,169	0,143	254	0,2719993
17,588	538,0	538,1	100,24	101,41	0,169	0,143	255	0,271809
17,462	538,0	538,1	100,93	102,10	0,169	0,143	256	0,2699153
17,599	538,0	538,1	100,05	101,19	0,169	0,143	257	0,2721859
17,665	537,9	538,1	99,72	100,87	0,169	0,143	258	0,2731262
17,730	537,9	538,1	99,38	100,56	0,169	0,143	259	0,2740632
17,607	537,9	538,0	100,10	101,25	0,169	0,143	260	0,2721852
17,434	537,8	538,0	101,19	102,21	0,169	0,143	261	0,2695332
17,596	537,8	538,0	100,05	101,19	0,169	0,143	262	0,272185
18,079	537,8	538,0	97,28	98,39	0,169	0,143	263	0,2797962
17,659	537,8	538,0	99,74	100,86	0,169	0,143	264	0,2731261
17,803	537,8	538,0	98,93	100,06	0,169	0,143	265	0,2753232
17,303	537,8	538,0	101,78	102,94	0,169	0,143	266	0,2676148
17,451	537,8	538,0	100,91	102,08	0,169	0,143	267	0,2699137
17,513	537,7	538,0	100,56	101,70	0,169	0,143	268	0,2708614
17,511	537,8	538,0	100,55	101,68	0,169	0,143	269	0,2708628
17,719	537,7	537,9	99,38	100,51	0,169	0,143	270	0,2740644
17,569	537,7	538,0	100,21	101,35	0,169	0,143	271	0,2717776
17,596	537,7	537,9	100,06	101,20	0,169	0,143	272	0,2721863
17,508	537,7	537,9	100,56	101,68	0,169	0,143	273	0,2708632
17,510	537,7	537,9	100,48	101,66	0,169	0,143	274	0,2708628
17,448	537,6	537,9	100,92	102,07	0,169	0,143	275	0,2699012
17,644	537,6	537,9	99,66	100,79	0,169	0,143	276	0,273124
17,434	537,6	537,9	100,83	101,98	0,169	0,143	277	0,2699165
17,586	537,6	537,8	99,95	101,16	0,169	0,143	278	0,2721865
17,589	537,6	537,8	100,05	101,18	0,169	0,143	279	0,2721857
17,585	537,6	537,8	99,97	101,16	0,169	0,143	280	0,2721855
17,880	537,5	537,8	98,44	99,63	0,169	0,143	281	0,2766734
17,514	537,5	537,8	100,45	101,59	0,169	0,143	282	0,2710723
17,328	537,5	537,8	101,54	102,74	0,169	0,143	283	0,2681841
17,475	537,5	537,8	100,67	101,81	0,169	0,143	284	0,2704817
17,438	537,4	537,7	100,89	102,03	0,169	0,143	285	0,2699144
17,585	537,4	537,7	100,05	101,18	0,169	0,143	286	0,2721863
17,583	537,4	537,7	100,05	101,18	0,169	0,143	287	0,2721949
17,666	537,3	537,7	99,52	100,68	0,169	0,143	288	0,2735015
17,471	537,4	537,7	100,67	101,80	0,169	0,143	289	0,2704832
17,489	537,4	537,6	100,52	101,71	0,169	0,143	290	0,2708324
17,584	537,4	537,6	100,08	101,19	0,169	0,143	291	0,2721854
17,756	537,4	537,6	99,19	100,35	0,169	0,144	292	0,274811
17,643	537,4	537,6	99,64	100,84	0,169	0,144	293	0,2731258
17,584	537,4	537,6	100,08	101,19	0,169	0,143	294	0,2721958
17,469	537,4	537,6	100,69	101,83	0,169	0,143	295	0,270446
17,354	537,4	537,6	101,42	102,57	0,169	0,143	296	0,2685792
17,642	537,3	537,6	99,66	100,89	0,169	0,143	297	0,2731272
17,636	537,3	537,6	99,68	100,79	0,169	0,143	298	0,2731266
17,739	537,3	537,6	99,24	100,29	0,169	0,143	299	0,2746242
17,637	537,3	537,6	99,76	100,80	0,169	0,143	300	0,2731278
17,636	537,3	537,5	99,68	100,86	0,169	0,143	301	0,273127
17,346	537,3	537,5	101,39	102,57	0,169	0,144	302	0,2685789

17,580	537,3	537,5	100,05	101,19	0,169	0,143	303	0,2721853
17,550	537,3	537,5	100,16	101,30	0,169	0,143	304	0,2718074
17,325	537,2	537,5	101,62	102,63	0,169	0,143	305	0,2681974
18,035	537,3	537,5	97,51	98,56	0,169	0,143	306	0,2792598
17,536	537,3	537,5	100,30	101,44	0,169	0,143	307	0,2715146
17,556	537,2	537,5	100,20	101,34	0,169	0,143	308	0,2718097
18,154	537,2	537,5	96,94	98,01	0,169	0,144	309	0,2810914
18,073	537,2	537,5	97,34	98,46	0,169	0,144	310	0,2798097
17,494	537,2	537,5	100,66	101,69	0,169	0,143	311	0,2708609
17,513	537,2	537,4	100,46	101,56	0,169	0,143	312	0,2711499
17,703	537,2	537,4	99,40	100,52	0,169	0,143	313	0,2740658
17,554	537,2	537,4	100,20	101,34	0,169	0,143	314	0,2718067
17,705	537,2	537,4	99,35	100,54	0,169	0,143	315	0,2740643
17,936	537,1	537,4	98,08	99,18	0,169	0,144	316	0,2777206
17,641	537,1	537,4	99,74	100,92	0,169	0,144	317	0,2731265
17,553	537,1	537,4	100,20	101,31	0,169	0,144	318	0,2718078
18,153	537,1	537,4	96,90	98,06	0,169	0,144	319	0,2810915
17,407	537,1	537,4	101,12	102,27	0,169	0,144	320	0,269442
17,551	537,1	537,4	100,20	101,33	0,169	0,144	321	0,271805
17,345	537,1	537,4	101,41	102,48	0,169	0,143	322	0,2685792
17,469	537,1	537,4	100,74	101,85	0,169	0,143	323	0,2704838
17,371	537,1	537,4	101,25	102,47	0,169	0,144	324	0,2689965
17,559	537,1	537,3	100,29	101,39	0,169	0,144	325	0,2718073
17,644	537,1	537,3	99,76	100,87	0,169	0,144	326	0,2731223
17,670	537,1	537,3	99,64	100,82	0,169	0,144	327	0,2735017
17,372	537,1	537,3	101,37	102,54	0,169	0,144	328	0,2689674
17,726	537,1	537,3	99,27	100,40	0,169	0,144	329	0,2744387
17,667	537,0	537,3	99,62	100,67	0,169	0,143	330	0,2735016
17,850	537,0	537,3	98,63	99,76	0,169	0,143	331	0,2763013
17,749	537,0	537,3	99,22	100,26	0,169	0,144	332	0,274812
17,432	537,0	537,2	100,95	102,09	0,169	0,144	333	0,2698985
18,113	537,0	537,2	97,09	98,18	0,169	0,144	334	0,2805425
17,750	537,0	537,3	99,15	100,20	0,169	0,143	335	0,2748114
17,634	537,0	537,2	99,78	100,88	0,169	0,144	336	0,2731261
17,604	536,9	537,2	99,84	101,08	0,169	0,144	337	0,2725991
17,639	536,9	537,2	99,76	101,00	0,169	0,144	338	0,2731263
17,554	536,9	537,2	100,24	101,38	0,169	0,144	339	0,2718072
17,719	536,9	537,2	99,31	100,38	0,169	0,144	340	0,2744381
17,640	536,9	537,2	99,71	100,84	0,169	0,144	341	0,2731975
17,323	537,0	537,2	101,66	102,76	0,169	0,144	342	0,2681967
18,028	536,9	537,2	97,53	98,65	0,169	0,144	343	0,2792587
17,654	536,9	537,2	99,58	100,70	0,169	0,144	344	0,2735005
17,425	536,9	537,2	100,92	102,05	0,169	0,144	345	0,2699132
17,343	536,9	537,2	101,44	102,61	0,169	0,144	346	0,2685781
17,575	536,9	537,2	100,11	101,23	0,169	0,144	347	0,2721769
17,696	536,9	537,2	99,41	100,53	0,169	0,144	348	0,274063
17,489	536,8	537,1	100,60	101,74	0,169	0,144	349	0,2708463
18,112	536,8	537,1	97,11	98,20	0,169	0,144	350	0,2805425
17,654	536,8	537,1	99,64	100,76	0,169	0,144	351	0,273444
17,950	536,8	537,1	98,04	99,14	0,169	0,144	352	0,2779663
17,556	536,8	537,1	100,29	101,46	0,169	0,144	353	0,2718063
17,864	536,8	537,1	98,48	99,67	0,169	0,144	354	0,2766731
17,697	536,8	537,1	99,44	100,55	0,169	0,144	355	0,2740528
17,458	536,8	537,1	100,70	101,87	0,169	0,144	356	0,2704874
17,571	536,8	537,1	100,09	101,22	0,169	0,144	357	0,2721857
17,630	536,8	537,1	99,78	100,86	0,169	0,144	358	0,2731258
17,580	536,8	537,1	100,03	101,14	0,169	0,144	359	0,2723622
17,484	536,8	537,1	100,57	101,70	0,169	0,144	360	0,2708687
18,143	536,8	537,1	96,91	98,00	0,169	0,144	361	0,2810906
17,650	536,8	537,1	99,57	100,68	0,169	0,144	362	0,2735012
17,364	536,8	537,1	101,29	102,46	0,169	0,144	363	0,2689618
17,415	536,8	537,0	100,87	102,08	0,169	0,144	364	0,2698339

17,565	536,7	537,0	100,07	101,20	0,169	0,144	365	0,2721844
17,563	536,7	537,0	100,06	101,19	0,169	0,144	366	0,2721845
17,616	536,7	537,0	99,81	100,94	0,169	0,144	367	0,272939
17,462	536,7	537,0	100,74	101,88	0,169	0,144	368	0,2704841
17,541	536,7	537,0	100,22	101,35	0,169	0,144	369	0,271809
17,542	536,7	537,0	100,23	101,36	0,169	0,144	370	0,2718062
17,566	536,6	537,0	100,13	101,26	0,169	0,144	371	0,2721326
18,085	536,7	537,0	97,21	98,30	0,169	0,144	372	0,2802372
17,335	536,7	537,0	101,45	102,59	0,169	0,144	373	0,2685747
17,691	536,7	537,0	99,42	100,54	0,169	0,144	374	0,2740634
17,689	536,7	536,9	99,38	100,53	0,169	0,144	375	0,2740632
17,631	536,6	536,9	99,74	100,90	0,169	0,144	376	0,2731242
17,538	536,6	536,9	100,21	101,34	0,169	0,144	377	0,2718129
17,880	536,6	536,9	98,32	99,40	0,169	0,144	378	0,2770411
17,798	536,6	536,9	98,82	99,87	0,169	0,144	379	0,2757443
18,101	536,6	536,9	97,19	98,25	0,169	0,144	380	0,2804514
17,397	536,6	536,9	101,09	102,18	0,169	0,144	381	0,2695323
17,628	536,6	536,9	99,76	100,89	0,169	0,144	382	0,2731246
17,545	536,6	536,9	100,26	101,34	0,169	0,144	383	0,271806
17,454	536,6	536,9	100,72	101,91	0,169	0,144	384	0,2704803
17,647	536,6	536,8	99,55	100,76	0,169	0,144	385	0,2734537
17,631	536,6	536,9	99,78	100,90	0,169	0,144	386	0,2731253
17,538	536,6	536,8	100,14	101,36	0,169	0,144	387	0,2718059
17,623	536,6	536,9	99,68	100,86	0,169	0,144	388	0,2731245
17,827	536,6	536,8	98,60	99,70	0,169	0,144	389	0,2762866
17,623	536,6	536,8	99,69	100,87	0,169	0,144	390	0,2731184
17,679	536,5	536,8	99,35	100,43	0,169	0,144	391	0,2740626
17,459	536,5	536,8	100,65	101,79	0,169	0,144	392	0,2704818
17,325	536,5	536,8	101,46	102,59	0,169	0,144	393	0,2685166
17,997	536,5	536,8	97,70	98,76	0,169	0,144	394	0,2788852
17,620	536,5	536,8	99,65	100,86	0,169	0,144	395	0,2731239
17,442	536,4	536,7	100,68	101,81	0,169	0,144	396	0,2704819
17,697	536,4	536,7	99,30	100,41	0,169	0,144	397	0,2743475
17,352	536,4	536,7	101,30	102,44	0,169	0,144	398	0,2689609
17,620	536,4	536,7	99,65	100,76	0,169	0,144	399	0,2731244
17,616	536,4	536,7	99,72	100,82	0,169	0,144	400	0,2731246
17,642	536,4	536,7	99,60	100,64	0,169	0,144	401	0,2735002
17,380	536,4	536,7	101,03	102,17	0,169	0,144	402	0,2695284
17,376	536,4	536,7	101,01	102,15	0,169	0,144	403	0,2695316
17,551	536,4	536,7	100,05	101,16	0,169	0,144	404	0,2721845
17,618	536,4	536,7	99,74	100,86	0,169	0,144	405	0,2731346
17,611	536,3	536,7	99,63	100,83	0,169	0,144	406	0,273124
17,612	536,3	536,6	99,73	100,84	0,169	0,144	407	0,273119
18,154	536,3	536,6	96,76	97,88	0,169	0,144	408	0,2814542
17,641	536,3	536,6	99,59	100,74	0,169	0,144	409	0,2735002
17,667	536,3	536,6	99,32	100,43	0,169	0,144	410	0,2740624
17,401	536,3	536,6	100,87	101,94	0,169	0,144	411	0,2699119
17,642	536,3	536,6	99,61	100,74	0,169	0,144	412	0,2734993
17,646	536,4	536,7	99,89	101,06	0,169	0,144	413	0,2731241
17,492	536,6	536,7	100,94	102,14	0,169	0,144	414	0,2704814
17,705	536,7	536,8	99,85	101,02	0,169	0,144	415	0,2735005
17,682	536,8	536,9	100,02	101,19	0,169	0,144	416	0,2731191
17,438	537,0	537,0	101,26	102,40	0,169	0,144	417	0,2695325
17,608	537,0	537,1	100,26	101,43	0,169	0,144	418	0,2721838
17,768	537,1	537,1	99,25	100,41	0,169	0,144	419	0,2747851
17,484	537,1	537,2	100,79	101,86	0,169	0,143	420	0,2704824
18,108	537,1	537,2	97,32	98,43	0,169	0,143	421	0,2801754
17,552	537,1	537,2	100,35	101,52	0,169	0,144	422	0,2716093
17,983	537,1	537,2	97,93	99,06	0,169	0,144	423	0,2783048
17,378	537,1	537,2	101,33	102,42	0,169	0,144	424	0,2689607
17,753	537,0	537,2	99,16	100,22	0,169	0,143	425	0,274812
17,436	537,0	537,2	100,97	102,12	0,169	0,144	426	0,2699135

17,521	536,9	537,2	100,45	101,56	0,169	0,144	427	0,2712675
17,748	536,9	537,2	99,15	100,27	0,169	0,144	428	0,2748115
17,577	536,9	537,2	100,05	101,23	0,169	0,144	429	0,2721854
17,401	536,9	537,2	101,06	102,20	0,169	0,144	430	0,269533
17,657	536,9	537,2	99,60	100,70	0,169	0,144	431	0,273504
17,691	536,9	537,1	99,38	100,51	0,169	0,144	432	0,2740645
17,693	536,8	537,1	99,40	100,51	0,169	0,144	433	0,2740655
17,566	536,8	537,1	100,04	101,08	0,169	0,143	434	0,2721846
17,573	536,8	537,1	100,01	101,14	0,169	0,144	435	0,2723101
17,648	536,8	537,1	99,51	100,69	0,169	0,144	436	0,2735052
17,327	536,8	537,1	101,37	102,49	0,169	0,144	437	0,2685822
18,051	536,8	537,1	97,30	98,40	0,169	0,144	438	0,2798091
17,648	536,8	537,1	99,59	100,69	0,169	0,144	439	0,2735017
17,630	536,7	537,0	99,76	100,67	0,169	0,144	440	0,2732403
17,623	536,7	537,0	99,72	100,81	0,169	0,143	441	0,2731159
17,822	536,7	537,0	98,53	99,64	0,169	0,144	442	0,2763004
17,440	536,7	537,0	100,63	101,75	0,169	0,144	443	0,2703246
17,610	536,7	537,0	99,75	100,78	0,169	0,144	444	0,273061
17,621	536,7	537,0	99,65	100,83	0,169	0,144	445	0,2731247
18,076	536,7	537,0	97,09	98,29	0,169	0,144	446	0,2801776
18,129	536,7	536,9	96,85	97,85	0,169	0,144	447	0,2810915
18,005	536,6	536,9	97,51	98,51	0,169	0,143	448	0,2791846

APPENDIX 3: Calibration data



CERTIFICAT D'ÉTALONNAGE

No.Certificat: CE-EM-001 10/03/20

CLIENT	
Compagnie:	Services Polytests Inc
Adresse:	695 B rue Gaudette St-Jean-sur-Richelieu, Québec, J3B 7S7

SPÉCIFICATION DE CALIBRATION	
Procédure de service:	4IN9101
Précision requise:	+/- 2.0°C
Fréquence d'étalonnage: (jours)	365

SPÉCIFICATION DE L'INSTRUMENT			
Type d'instrument:	Indicateur	Type d'entrée:	Temp
Manufacturier:	Fluke	Type de sortie:	Digitale
No. Model:	52-II	Type de mesure:	Température
No. Série:	90630037	Gamme:	Divers
Emplacement:	N.A.	No. Machine:	N.A.

SPÉCIFICATION DE L'ÉTALON			
Étalon Utilisé:	Fluke 744	No. du certificat d'étalonnage:	2019007064
No. Série:	8139009	Dernière date d'étalonnage:	18-Oct-19
Certificat fait par:	Alpha Controls	Prochaine date d'étalonnage:	18-Oct-20
Commentaire:			

RÉSULTAT D'ÉTALONNAGE						
Entrée Source	Valeur Donnée	Valeur Actuelle	Erreur de Déviation	Valeur après Étalonnage	Incertitude Élargie	Commentaire
0.0 °C	0.0 °C	-0.1 °C	-0.1 °C	-0.1 °C	1.0 °C	T1 typeJ
125.0 °C	125.0 °C	125.0 °C	0.0 °C	125.0 °C	1.0 °C	T1 typeJ
250.0 °C	250.0 °C	250.0 °C	0.0 °C	250.0 °C	1.0 °C	T1 typeJ
375.0 °C	375.0 °C	374.9 °C	-0.1 °C	374.9 °C	1.0 °C	T1 typeJ
500.0 °C	500.0 °C	500.0 °C	0.0 °C	500.0 °C	1.0 °C	T1 typeJ
0.0 °C	0.0 °C	0.0 °C	0.0 °C	0.0 °C	1.0 °C	T2 typeJ
125.0 °C	125.0 °C	125.0 °C	0.0 °C	125.0 °C	1.0 °C	T2 typeJ
250.0 °C	250.0 °C	250.0 °C	0.0 °C	250.0 °C	1.0 °C	T2 typeJ
375.0 °C	375.0 °C	375.0 °C	0.0 °C	375.0 °C	1.0 °C	T2 typeJ
500.0 °C	500.0 °C	500.0 °C	0.0 °C	500.0 °C	1.0 °C	T2 typeJ
0.0 °C	0.0 °C	0.2 °C	+0.2 °C	0.2 °C	1.0 °C	T1 typeK
125.0 °C	125.0 °C	125.2 °C	+0.2 °C	125.2 °C	1.0 °C	T1 typeK
250.0 °C	250.0 °C	250.1 °C	+0.1 °C	250.1 °C	1.0 °C	T1 typeK
375.0 °C	375.0 °C	375.2 °C	+0.2 °C	375.2 °C	1.0 °C	T1 typeK
500.0 °C	500.0 °C	500.1 °C	+0.1 °C	500.1 °C	1.0 °C	T1 typeK
0.0 °C	0.0 °C	0.2 °C	+0.2 °C	0.2 °C	1.0 °C	T2 typeK
125.0 °C	125.0 °C	125.2 °C	+0.2 °C	125.2 °C	1.0 °C	T2 typeK
250.0 °C	250.0 °C	250.2 °C	+0.2 °C	250.2 °C	1.0 °C	T2 typeK
375.0 °C	375.0 °C	375.2 °C	+0.2 °C	375.2 °C	1.0 °C	T2 typeK
500.0 °C	500.0 °C	500.1 °C	+0.1 °C	500.1 °C	1.0 °C	T2 typeK

Conditions Environnementales: Température: 20 °C Humidité: 23 %RH

Type d'Étalonnage:



CERTIFICAT D'ÉTALONNAGE

No.Certificat: CE-EM-001 10/03/20

CLIENT	
Compagnie:	Services Polytests Inc
Adresse:	695 B rue Gaudette
	St-Jean-sur-Richelieu, Québec, J3B 7S7

SPÉCIFICATION DE CALIBRATION	
Procédure de service:	4IN9101
Précision requise:	+/- 2.0°C
Fréquence d'étalonnage: (jours)	365

SPÉCIFICATION DE L'INSTRUMENT			
Type d'instrument:	Indicateur	Type d'entrée:	Temp
Manufacturier:	Fluke	Type de sortie:	Digitale
No. Model:	52-II	Type de mesure:	Température
No. Série:	90630037	Gamme:	Divers
Emplacement:	N.A.	No. Machine:	N.A.

Instrumentation St-Laurent Inc. Certifie que l'instrument ci-haut, rencontre ou excède les spécifications établies par le fabricant. Le système qualité de l'entreprise est conforme aux exigences de la norme ISO 17025 et les étalons utilisés pour effectuer l'étalonnage est retraçable au CNRC et/ou au NIST. Le degré d'incertitude est basé sur un niveau de confiance=95%, K=2.

DATE D'ÉTALONNAGE / ÉMISSION DU CERTIFICAT	
Date d'Étalonnage:	10 Mars 2020
Date du prochain Étalonnage:	10 Mars 2021
Date d'émission du certificat:	10 Mars 2020

CONFORMITÉ D'ÉTALONNAGE		
	Avant	Après
Conforme:	X	X
Non Conforme:		

Le Service d'évaluation des laboratoires d'étalonnage (CLAS) du Conseil national de recherches du Canada (CNRC) a évalué et certifié la capacité d'étalonnage du laboratoire et la traçabilité au Système international d'unités (SI) ou à des étalons acceptables selon le CLAS. Le présent certificat d'étalonnage est délivré conformément aux conditions de certification du CLAS et aux conditions d'accréditation du Conseil canadien des normes (CCN). Numéro d'accréditation du CCN: # 669. Le CLAS et le CCN ne garantissent pas l'exactitude des étalonnages individuels effectués par les laboratoires accrédités.

Martin Langlais - Technicien

2020 MARS 30



CERTIFICAT D'ÉTALONNAGE

No.Certificat: CE-EM-015 09/03/20

CLIENT	
Compagnie:	Services Polytests Inc
Adresse:	695 B rue Gaudette St-Jean-sur-Richelieu, Québec, J3B 7S7

SPÉCIFICATION DE CALIBRATION	
Procédure de service:	4IN9101
Précision requise:	+/- 2°C
Fréquence d'étalonnage: (jours)	365

SPÉCIFICATION DE L'INSTRUMENT			
Type d'instrument:	Enregistreur	Type d'entrée:	Temp
Manufacturier:	Keithley	Type de sortie:	Digitale
No. Model:	7700	Type de mesure:	Température
No. Série:	1213648	Gamme:	Divers
Emplacement:	N/A	No. Machine:	N.A.

SPÉCIFICATION DE L'ÉTALON			
Étalon Utilisé:	Fluke 744	No. du certificat d'étalonnage:	2019007064
No. Série:	8139009	Dernière date d'étalonnage:	18-Oct-19
Certificat fait par:	Alpha Controls	Prochaine date d'étalonnage:	18-Oct-20
Commentaire:			

RÉSULTAT D'ÉTALONNAGE						
Entrée Source	Valeur Donnée	Valeur Actuelle	Erreur de Déviation	Valeur après Étalonnage	Incertitude Élargie	Commentaire
-190.0 °C	-190.0 °C	-189.2 °C	0.8 °C	-189.2 °C	1.0 °C	Input#1TypeK
0.0 °C	0.0 °C	0.0 °C	0.0 °C	0.0 °C	1.0 °C	Input#1TypeK
750.0 °C	750.0 °C	749.9 °C	-0.1 °C	749.9 °C	1.0 °C	Input#1TypeK
100.0 °C	100.0 °C	100.1 °C	+0.1 °C	100.1 °C	1.0 °C	Input#2 TypeK
100.0 °C	100.0 °C	100.6 °C	+0.6 °C	100.6 °C	1.0 °C	Input#3 TypeK
100.0 °C	100.0 °C	101.0 °C	+1.0 °C	101.0 °C	1.0 °C	Input#4 TypeK
100.0 °C	100.0 °C	101.5 °C	+1.5 °C	101.5 °C	1.0 °C	Input#5TypeK
100.0 °C	100.0 °C	101.5 °C	+1.5 °C	101.5 °C	1.0 °C	Input#6TypeK
100.0 °C	100.0 °C	101.8 °C	+1.8 °C	101.8 °C	1.0 °C	Input#7TypeK
100.0 °C	100.0 °C	101.5 °C	+1.5 °C	101.5 °C	1.0 °C	Input#8TypeK
100.0 °C	100.0 °C	101.5 °C	+1.5 °C	101.5 °C	1.0 °C	Input#9TypeK
100.0 °C	100.0 °C	101.2 °C	+1.2 °C	101.2 °C	1.0 °C	Input#10TypeJ
100.0 °C	100.0 °C	101.0 °C	+1.0 °C	101.0 °C	1.0 °C	Input#11TypeJ
100.0 °C	100.0 °C	100.8 °C	+0.8 °C	100.8 °C	1.0 °C	Input#12TypeJ
100.0 °C	100.0 °C	100.7 °C	+0.7 °C	100.7 °C	1.0 °C	Input#13 TypeJ
100.0 °C	100.0 °C	100.6 °C	+0.6 °C	100.6 °C	1.0 °C	Input#14TypeJ
100.0 °C	100.0 °C	100.5 °C	+0.5 °C	100.5 °C	1.0 °C	Input#15 TypeJ
100.0 °C	100.0 °C	100.3 °C	+0.3 °C	100.3 °C	1.0 °C	Input#16TypeJ
100.0 °C	100.0 °C	100.4 °C	+0.4 °C	100.4 °C	1.0 °C	Input#17TypeJ
100.0 °C	100.0 °C	100.3 °C	+0.3 °C	100.3 °C	1.0 °C	Input#18TypeJ
100.0 °C	100.0 °C	100.4 °C	+0.4 °C	100.4 °C	1.0 °C	Input#19TypeJ
100.0 °C	100.0 °C	100.3 °C	+0.3 °C	100.3 °C	1.0 °C	Input#20TypeJ
12.000 mA	12.000 mA	12.000 mA	0.000 mA	12.000 mA	1.00 mA	Input#21
12.000 mA	12.000 mA	12.000 mA	0.000 mA	12.000 mA	1.00 mA	Input#22
Conditions Environnementales: Température: 20 °C Humidité: 23 %RH						



**Instrumentation
Saint-Laurent** inc.
Accrédité ISO 17025



80 rue de la montagne
St-Joseph du lac
(Québec), J0N 1M0
Tél: (450) 473-6169
Fax: (450) 473-5207
Email: inst.st-laurent@videotron.ca

CERTIFICAT D'ÉTALONNAGE

No.Certificat: CE-EM-015 09/03/20

CLIENT	
Compagnie:	Services Polytests Inc
Adresse:	695 B rue Gaudette St-Jean-sur-Richelieu, Québec, J3B 7S7

SPÉCIFICATION DE CALIBRATION	
Procédure de service:	4IN9101
Précision requise:	+/- 2°C
Fréquence d'étalonnage: (jours)	365

SPÉCIFICATION DE L'INSTRUMENT			
Type d'instrument:	Enregistreur	Type d'entrée:	Temp
Manufacturier:	Keithley	Type de sortie:	Digitale
No. Model:	7700	Type de mesure:	Température
No. Série:	1213648	Gamme:	Divers
Emplacement:	N/A	No. Machine:	N.A.
Type d'Étalonnage: Test avec EM-147			

Instrumentation St-Laurent Inc. Certifie que l'instrument ci-haut, rencontre ou excède les spécifications établies par le fabricant. Le système qualité de l'entreprise est conforme aux exigences de la norme ISO 17025 et les étalons utilisés pour effectuer l'étalonnage est retraçable au CNRC et/ou au NIST. Le degré d'incertitude est basé sur un niveau de confiance=95%, K=2.

DATE D'ÉTALONNAGE / ÉMISSION DU CERTIFICAT	
Date d'Étalonnage:	9 Mars 2020
Date du prochain Étalonnage:	9 Mars 2021
Date d'émission du certificat:	9 Mars 2020

CONFORMITÉ D'ÉTALONNAGE		
	Avant	Après
Conforme:	X	X
Non Conforme:		

Le Service d'évaluation des laboratoires d'étalonnage (CLAS) du Conseil national de recherches du Canada (CNRC) a évalué et certifié la capacité d'étalonnage du laboratoire et la traçabilité au Système international d'unités (SI) ou à des étalons acceptables selon le CLAS. Le présent certificat d'étalonnage est délivré conformément aux conditions de certification du CLAS et aux conditions d'accréditation du Conseil canadien des normes (CCN). Numéro d'accréditation du CCN: # 669. Le CLAS et le CCN ne garantissent pas l'exactitude des étalonnages individuels effectués par les laboratoires accrédités.

Martin Langlais - Technicien

2020. MARS 30



CERTIFICAT D'ÉTALONNAGE

No.Certificat: CE-EM-154 09/03/20

CLIENT	
Compagnie:	Services Polytests Inc
Adresse:	695 B rue Gaudette St-Jean-sur-Richelieu, Québec, J3B 7S7

SPÉCIFICATION DE CALIBRATION	
Procédure de service:	4IN9101
Précision requise:	+/- 2°C
Fréquence d'étalonnage: (jours)	365

SPÉCIFICATION DE L'INSTRUMENT			
Type d'instrument:	Enregistreur	Type d'entrée:	Temp
Manufacturier:	Keithley	Type de sortie:	Digitale
No. Model:	7700	Type de mesure:	Température
No. Série:	1306774	Gamme:	Divers
Emplacement:	N/A	No. Machine:	N.A.

SPÉCIFICATION DE L'ÉTALON			
Étalon Utilisé:	Fluke 744	No. du certificat d'étalonnage:	2019007064
No. Série:	8139009	Dernière date d'étalonnage:	18-Oct-19
Certificat fait par:	Alpha Controls	Prochaine date d'étalonnage:	18-Oct-20
Commentaire:			

RÉSULTAT D'ÉTALONNAGE						
Entrée Source	Valeur Donnée	Valeur Actuelle	Erreur de Déviation	Valeur après Étalonnage	Incertitude Élargie	Commentaire
-17.000 mV	-17.000 mV	-17.016 mV	-0.016 mV	-17.016 mV	0.1 mV	Input#1
0.000 mV	0.000 mV	0.037 mV	+0.037 mV	0.037 mV	0.1 mV	Input#1
20.000 mV	20.000 mV	19.940 mV	-0.060 mV	19.940 mV	0.1 mV	Input#1
30.000 mV	30.000 mV	29.931 mV	-0.069 mV	29.931 mV	0.1 mV	Input#2
Input#3 Non-Conforme						
5.000 V.DC.	5.000 V.DC.	4.999 V.DC.	-0.001 V.DC.	4.999 V.DC.	0.1 V.DC.	Input#4
30.000 mV	30.000 mV	29.990 mV	-0.010 mV	29.990 mV	0.1 mV	Input#5
30.000 mV	30.000 mV	29.991 mV	+0.009 mV	29.991 mV	0.1 mV	Input#6
100.00 Ohms	100.00 Ohms	99.98 Ohms	-0.02 Ohms	99.98 Ohms	1.0 Ohms	Input#7
100.00 Ohms	100.00 Ohms	99.99 Ohms	-0.01 Ohms	99.99 Ohms	1.0 Ohms	Input#8
100.00 Ohms	100.00 Ohms	99.99 Ohms	-0.01 Ohms	99.99 Ohms	1.0 Ohms	Input#9
100.00 Ohms	100.00 Ohms	99.99 Ohms	-0.01 Ohms	99.99 Ohms	1.0 Ohms	Input#10
100.0 °C	100.0 °C	100.5 °C	+0.5 °C	100.5 °C	1.0 °C	Input#11TypeT
100.0 °C	100.0 °C	100.4 °C	+0.4 °C	100.4 °C	1.0 °C	Input#12TypeT
100.0 °C	100.0 °C	100.0 °C	0.0 °C	100.0 °C	1.0 °C	Input#13 TypeJ
100.0 °C	100.0 °C	100.2 °C	+0.2 °C	100.2 °C	1.0 °C	Input#14TypeJ
100.0 °C	100.0 °C	100.4 °C	+0.4 °C	100.4 °C	1.0 °C	Input#15 TypeJ
100.0 °C	100.0 °C	100.0 °C	0.0 °C	100.0 °C	1.0 °C	Input#16TypeJ
100.00 Ohms	100.00 Ohms	99.99 Ohms	-0.01 Ohms	99.99 Ohms	1.0 Ohms	Input#17
100.00 Ohms	100.00 Ohms	100.01 Ohms	+0.01 Ohms	100.01 Ohms	1.0 Ohms	Input#18
100.00 Ohms	100.00 Ohms	100.02 Ohms	+0.02 Ohms	100.02 Ohms	1.0 Ohms	Input#19
100.00 Ohms	100.00 Ohms	100.01 Ohms	+0.01 Ohms	100.01 Ohms	1.0 Ohms	Input#20
12.000 mA	12.000 mA	12.000 mA	0.000 mA	12.000 mA	1.00 mA	Input#21
12.000 mA	12.000 mA	12.000 mA	0.000 mA	12.000 mA	1.00 mA	Input#22
Conditions Environnementales: Température: 20 °C Humidité: 23 %RH						



**Instrumentation
Saint-Laurent** inc.
Accrédité ISO 17025



80 rue de la montagne
St-Joseph du lac
(Québec), J0N 1M0
Tél: (450) 473-6169
Fax: (450) 473-5207
Email: inst.st-laurent@videotron.ca

CERTIFICAT D'ÉTALONNAGE

No.Certificat: CE-EM-154 09/03/20

CLIENT	
Compagnie:	Services Polytests Inc
Adresse:	695 B rue Gaudette
	St-Jean-sur-Richelieu, Québec, J3B 7S7

SPÉCIFICATION DE CALIBRATION	
Procédure de service:	4IN9101
Précision requise:	+/- 2°C
Fréquence d'étalonnage: (jours)	365

SPÉCIFICATION DE L'INSTRUMENT			
Type d'instrument:	Enregistreur	Type d'entrée:	Temp
Manufacturier:	Keithley	Type de sortie:	Digitale
No. Model:	7700	Type de mesure:	Température
No. Série:	1306774	Gamme:	Divers
Emplacement:	N/A	No. Machine:	N.A.
Type d'Étalonnage: Test avec EM-147			

Instrumentation St-Laurent Inc. Certifie que l'instrument ci-haut, rencontre ou excède les spécifications établies par le fabricant. Le système qualité de l'entreprise est conforme aux exigences de la norme ISO 17025 et les étalons utilisés pour effectuer l'étalonnage est retraçable au CNRC et/ou au NIST. Le degré d'incertitude est basé sur un niveau de confiance=95%, K=2.

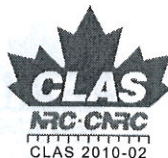
DATE D'ÉTALONNAGE / ÉMISSION DU CERTIFICAT	
Date d'Étalonnage:	9 Mars 2020
Date du prochain Étalonnage:	9 Mars 2021
Date d'émission du certificat:	9 Mars 2020

CONFORMITÉ D'ÉTALONNAGE		
	Avant	Après
Conforme:	X	X
Non Conforme:		

Le Service d'évaluation des laboratoires d'étalonnage (CLAS) du Conseil national de recherches du Canada (CNRC) a évalué et certifié la capacité d'étalonnage du laboratoire et la traçabilité au Système international d'unités (SI) ou à des étalons acceptables selon le CLAS. Le présent certificat d'étalonnage est délivré conformément aux conditions de certification du CLAS et aux conditions d'accréditation du Conseil canadien des normes (CCN). Numéro d'accréditation du CCN: # 669. Le CLAS et le CCN ne garantissent pas l'exactitude des étalonnages individuels effectués par les laboratoires accrédités.

Martin Langlais - Technicien

2020 - MARS 30



CERTIFICAT D'ÉTALONNAGE

No.Certificat: CE-EM-006 23/03/20

CLIENT	
Compagnie:	Services Polytests Inc
Adresse:	695 B rue Gaudette St-Jean-sur-Richelieu, Québec, J3B 7S7

SPÉCIFICATION DE CALIBRATION	
Procédure de service:	4IN9106
Précision requise:	+/-0.25"H2O
Fréquence d'étalonnage: (jours)	365

SPÉCIFICATION DE L'INSTRUMENT			
Type d'instrument:	Indicateur	Type d'entrée:	Pression
Manufacturier:	Dwyer	Type de sortie:	Digitale
No. Model:	MS-321-LCD	Type de mesure:	Pression
No. Série:	E47U020014	Gamme:	0-0.5"H2O
Emplacement:	N.A.	No. Machine:	N.A.

SPÉCIFICATION DE L'ÉTALON			
Étalon Utilisé:	Setra	No. du certificat d'étalonnage:	2020001510
No. Série:	2784759	Dernière date d'étalonnage:	5-Mar-20
Certificat fait par:	Alpha Controls	Prochaine date d'étalonnage:	5-Mar-21
Commentaire:			

SPÉCIFICATION DE L'ÉTALON			
Étalon Utilisé:	Fluke 744	No. du certificat d'étalonnage:	2019007064
No. Série:	8139009	Dernière date d'étalonnage:	18-Oct-19
Certificat fait par:	Alpha Controls	Prochaine date d'étalonnage:	18-Oct-20
Commentaire:			

RÉSULTAT D'ÉTALONNAGE						
Entrée Source	Valeur Donnée	Valeur Actuelle	Erreur de Déviation	Valeur après Étalonnage	Incertitude Élargie	Commentaire
0.0000 "H2O	0.000 "H2O	0.000 "H2O	0.000 "H2O	0.000 "H2O	0.25 "H2O	Vérification indicateur
0.2500 "H2O	0.250 "H2O	0.249 "H2O	-0.001 "H2O	0.249 "H2O	0.25 "H2O	Vérification indicateur
0.5000 "H2O	0.500 "H2O	0.500 "H2O	0.000 "H2O	0.500 "H2O	0.25 "H2O	Vérification indicateur
0.7500 "H2O	0.750 "H2O	0.750 "H2O	0.000 "H2O	0.750 "H2O	0.25 "H2O	Vérification indicateur
1.0000 "H2O	1.000 "H2O	0.994 "H2O	-0.006 "H2O	0.994 "H2O	0.25 "H2O	Vérification indicateur
0.0000 "H2O	0.0000 V.DC.	0.0004 V.DC.	+0.0004 V.DC.	0.0004 V.DC.	0.5 V.DC.	Vérification sortie analogique
0.2500 "H2O	2.5000 V.DC.	2.4853 V.DC.	-0.0147 V.DC.	2.4853 V.DC.	0.5 V.DC.	Vérification sortie analogique
0.5000 "H2O	5.0000 V.DC.	4.9780 V.DC.	-0.0220 V.DC.	4.9780 V.DC.	0.5 V.DC.	Vérification sortie analogique
0.7500 "H2O	7.5000 V.DC.	7.5042 V.DC.	0.0042 V.DC.	7.5042 V.DC.	0.5 V.DC.	Vérification sortie analogique
1.0000 "H2O	10.0000 V.DC.	9.9672 V.DC.	-0.0328 V.DC.	9.9672 V.DC.	0.5 V.DC.	Vérification sortie analogique
Conditions Environnementales:			Température: 20 °C	Humidité: 31 %RH		
Type d'Étalonnage:						



**Instrumentation
Saint-Laurent** inc.
Accrédité ISO 17025



80 rue de la montagne
St-Joseph du lac
(Québec), J0N 1M0
Tél: (450) 473-6169
Fax: (450) 473-5207
Email: inst.st-laurent@videotron.ca

CERTIFICAT D'ÉTALONNAGE

No.Certificat: CE-EM-006 23/03/20

CLIENT	
Compagnie:	Services Polytests Inc
Adresse:	695 B rue Gaudette St-Jean-sur-Richelieu, Québec, J3B 7S7

SPÉCIFICATION DE CALIBRATION	
Procédure de service:	4IN9106
Précision requise:	+/-0.25"H2O
Fréquence d'étalonnage: (jours)	365

SPÉCIFICATION DE L'INSTRUMENT			
Type d'instrument:	Indicateur	Type d'entrée:	Pression
Manufacturier:	Dwyer	Type de sortie:	Digitale
No. Model:	MS-321-LCD	Type de mesure:	Pression
No. Série:	E47U020014	Gamme:	0-0.5"H2O
Emplacement:	N.A.	No. Machine:	N.A.

Instrumentation St-Laurent Inc. Certifie que l'instrument ci-haut, rencontre ou excède les spécifications établies par le fabricant. Le système qualité de l'entreprise est conforme aux exigences de la norme ISO 17025 et les étalons utilisés pour effectuer l'étalonnage est retraçable au CNRC et/ou au NIST. Le degré d'incertitude est basé sur un niveau de confiance=95%, K=2.

DATE D'ÉTALONNAGE / ÉMISSION DU CERTIFICAT	
Date d'Étalonnage:	23 Mars 2020
Date du prochain Étalonnage:	23 Mars 2021
Date d'émission du certificat:	23 Mars 2020

CONFORMITÉ D'ÉTALONNAGE		
	Avant	Après
Conforme:	X	X
Non Conforme:		

Le Service d'évaluation des laboratoires d'étalonnage (CLAS) du Conseil national de recherches du Canada (CNRC) a évalué et certifié la capacité d'étalonnage du laboratoire et la traçabilité au Système international d'unités (SI) ou à des étalons acceptables selon le CLAS. Le présent certificat d'étalonnage est délivré conformément aux conditions de certification du CLAS et aux conditions d'accréditation du Conseil canadien des normes (CCN). Numéro d'accréditation du CCN: # 669. Le CLAS et le CCN ne garantissent pas l'exactitude des étalonnages individuels effectués par les laboratoires accrédités.

Martin Langlais - Technicien

2020-03-30

CERTIFICAT D'ÉTALONNAGE

9900 Chemin de la Côte-de-Liesse, Montréal, QC H8T 1A1
 www.dispersion.ca 1.866.390.5066

Client :	Polytests	No. du Certificat :	157-64F201-201-1649
Adresse :	695 B rue Gaudette Saint-Jean-sur-Richelieu, QC J3B7S7	Date d'étalonnage :	15-01-2020

Technicien:
 Coutu, Daniel


 David Llorens, Responsable Qualité

DESCRIPTION DU SERVICE:

Modèle de Balance :	AR2140	Méthode :	ISO 17025
Manufacturier :	Ohaus	Date d'approbation :	15-01-2020
Numéro de Série :	M3658329010091	Date prochain étalonnage :	15-01-2021
Numéro d'identification :	EM-051	accréditation CCN n. :	668
Capacité :	210g	Certification CLAS n. :	2010-01
Résolution:	0.0001g		

Condition d'essai :	Temp °C:	23.4	Pression kPa:	101.5	Humidité %:	25.4
----------------------------	----------	------	---------------	-------	-------------	------

Note: Les conditions environnementales ne sont pas utilisées dans le calcul de l'incertitude.

CETTE BALANCE RENCONTRE LES SPÉCIFICATIONS SUIVANTES:

Type de test :	Manufacturier
Excentricité:	<input checked="" type="checkbox"/> Oui <input type="checkbox"/> Non
Linéarité:	<input checked="" type="checkbox"/> Oui <input type="checkbox"/> Non
Sensibilité:	<input checked="" type="checkbox"/> Oui <input type="checkbox"/> Non
Répétabilité:	<input checked="" type="checkbox"/> Oui <input type="checkbox"/> Non

NOTES:

Cette balance a été certifiée selon la procédure de travail PDL-09-MG-010 (certification de balance analytique et à plateau) et la et la procédure PDL-09-MG-012 (détermination des incertitudes de pesées). Nos étalons sont certifiés à chaque année. Le droit d'auteur du présent certificat appartient au laboratoire délivreur et doit être reproduit intégralement, à moins d'une autorisation écrite du laboratoire délivreur.

CERTIFICAT D'ÉTALONNAGE

9900 Chemin de la Côte-de-Liesse, Montréal, QC H8T 1A1
 www.dispersion.ca 1.866.390.5066

Client :	Polytests	No. du Certificat :	157-64F201-201-1649
Adresse :	695 B rue Gaudette Saint-Jean-sur-Richelieu, QC J3B7S7	Accréditation CCN n. :	668
Méthode :	ISO 17025	Certification CLAS n. :	2010-01
		Modèle de Balance :	AR2140
		Date d'étalonnage :	15-01-2020
		Date du prochain étalonnage :	15-01-2021

TEST D'EXCENTRICITÉ:

Poids Test: 100 g Tolérance 0.0004 g
 (Note: Le Poids Test est taré au centre du plateau de pesée)

Position	Avant Ajustement	Après Ajustement	
1: Centre:	0.0000 g	---	
2: Avant Gauche:	0.0000 g	---	
3: Arrière Gauche:	0.0000 g	---	
4: Arrière Droit:	0.0000 g	---	
5: Avant Droit:	0.0000 g	---	
Résultats	0.0000 g	---	

STATUT **CONFORME** **N/A**

TEST DE LINÉARITÉ:

Méthode: Substitution Plage: 210 g Poids Test: 50 g Tolérance: 0.0002 g

Pré-Charge	Avant Ajustement	Après Ajustement	
0.0000 g	50.0003 g	---	
50.0000 g	50.0000 g	---	
100.0000 g	50.0000 g	---	
150.0000 g	50.0003 g	---	
---	---	---	
---	---	---	
---	---	---	
Résultats	0.00015 g	---	

STATUT **CONFORME** **N/A**

TEST DE SENSIBILITÉ:

Valeur de masse conventionnelle: 200.0001 g Tolérance: 0.0004 g

	Avant Ajustement	Après Ajustement	
Lecture:	200.0003 g	---	$S = \frac{\Delta W}{\Delta m}$
Résultats:	0.0002 g	---	

STATUT **CONFORME** **N/A**

CERTIFICAT D'ÉTALONNAGE

9900 Chemin de la Côte-de-Liesse, Montréal, QC H8T 1A1
 www.dispersion.ca 1.866.390.5066

Client :	Polytests	No. du Certificat :	157-64F201-201-1649
Adresse :	695 B rue Gaudette Saint-Jean-sur-Richelieu, QC J3B7S7	Accréditation CCN n. :	668
Méthode :	ISO 17025	Certification CLAS n. :	2010-01
		Modèle de Balance :	AR2140
		Date d'étalonnage :	15-01-2020
		Date du prochain étalonnage :	15-01-2021

TEST DE RÉPÉTABILITÉ:

AVANT AJUSTEMENT:

Charge Utilisée:
100.0000 g

Tolérance:
0.00010 g

Résolution d'affichage:
0.0001 g

Moyenne:
100.00029 g

Écart-type:
0.00003 g

#	Vide	Chargé	Différence
1	0.0000 g	100.0002 g	100.0002 g
2	0.0000 g	100.0003 g	100.0003 g
3	0.0000 g	100.0003 g	100.0003 g
4	0.0000 g	100.0003 g	100.0003 g
5	0.0000 g	100.0003 g	100.0003 g
6	0.0000 g	100.0003 g	100.0003 g
7	0.0000 g	100.0003 g	100.0003 g
8	0.0000 g	100.0003 g	100.0003 g
9	0.0000 g	100.0003 g	100.0003 g
10	0.0000 g	100.0003 g	100.0003 g

Statut : CONFORME

APRÈS AJUSTEMENT:

Charge Utilisée:

Tolérance:
0.00010 g

Résolution d'affichage:
0.0001 g

Moyenne:

Écart-type:

#	Vide	Chargé	Différence
1	---	---	---
2	---	---	---
3	---	---	---
4	---	---	---
5	---	---	---
6	---	---	---
7	---	---	---
8	---	---	---
9	---	---	---
10	---	---	---

Statut : N/A

CERTIFICAT D'ÉTALONNAGE

9900 Chemin de la Côte-de-Liesse, Montréal, QC H8T 1A1
 www.dispersion.ca 1.866.390.5066

INCERTITUDE AVANT AJUSTEMENT :

$$Uc = \sqrt{(u_{(cr)})^2 + s_p^2 + u_{(l)}^2 + u_{(dr)}^2 + u_{(s)}^2}$$

- u(cr)** = Incertitude reliée à l'étalon utilisé
- Sp** = Incertitude de l'écart-type
- u(l)** = Incertitude associée à la linéarité
- u(dr)** = Incertitude associée à résolution si Sp = 0
- u(s)** = Incertitude liée à la sensibilité (span)

Valeur	Incertitude	Incertitude (%)
12.5000 g	0.00016 g	0.001298 %
25.0000 g	0.00017 g	0.000670 %
50.0000 g	0.00019 g	0.000373 %
100.0000 g	0.00025 g	0.000249 %
200.0000 g	0.00051 g	0.000255 %

INCERTITUDE APRÈS AJUSTEMENT :

Valeur	Incertitude	Incertitude (%)
---	---	---
---	---	---
---	---	---
---	---	---

NOTES :

De ces valeurs d'incertitudes, seule la valeur surlignée est calculée selon ISO17025:2005, les autres étant estimées jusqu'au résultat de l'incertitude minimale. Dans le calcul de cette l'incertitude, l'écart-type utilisé est de 0,577d (où d est la précision d'affichage de la balance) lorsque cet écart-type est plus inférieur à 0,577d.

CERTIFICAT D'ÉTALONNAGE

9900 Chemin de la Côte-de-Liesse, Montréal, QC H8T 1A1
www.dispersion.ca 1.866.390.5066

RÉFÉRENCE

ENSEMBLE DE RÉFÉRENCE:

Référence	No de série	Fabricant	Date d'étalonnage
1mg-5kg	DK000A175	Dispersion	06-09-2019
1mg-5kg	DK000A175	Dispersion	06-09-2019

INCERTITUDES:

Les incertitudes que nous retrouvons comprennent :

1. *L'incertitude associée à l'opération de pesage.*
2. *L'incertitude associée à l'écart-type.*
3. *L'incertitude associée à l'étalon utilisé.*
4. *L'incertitude associée à la résolution de l'appareil.*

L'incertitude de l'opération de pesage comprend la reproductibilité à long terme.

Les incertitudes précisées dans ce rapport sont des incertitudes élargies représentant un niveau de confiance d'approximativement 95 %, obtenu en multipliant ensemble l'incertitude-type composée par un facteur de couverture de $k = 2$. Pour de plus amples renseignements, veuillez consulter la publication GUM (Guide pour l'expression de l'incertitude de mesure, édition de 1995).

TRAÇABILITÉ

Le Service d'évaluation de laboratoires d'étalonnage (CLAS) du Conseil national de recherches du Canada (CNRC) a évalué et a certifié des capacités d'étalonnage spécifiques de ce laboratoire et leur traçabilité à des étalons nationaux de mesure reconnus et au Système international d'unités (SI). Ce certificat d'étalonnage est émis conformément aux conditions de certification accordées par CLAS et aux conditions d'accréditation accordées par le Conseil canadien des normes (CCN). Le CLAS pas plus que le CCN ne peut garantir l'exactitude des étalonnages individuels effectués par des laboratoires accrédités.

REMARQUES:

CERTIFICAT D'ÉTALONNAGE # 11564

Date d'étalonnage : 2019-11-28

Date d'émission du certificat : 2019-12-02

Services Polytests
695 B Gaudette street
St-Jean-sur-Richelieu, Québec, Canada
J3B 7S7

Étalonnage d'un
Débitmètre volumétrique American Meter Company DTM-200A S/N : 99A274209

CONFORMITÉ AU PROGRAMME DE QUALITÉ

Tous les étalonnages sont effectués conformément au manuel d'assurance qualité de Polycontrols qui est conforme à la norme ISO/IEC 17025 – 2017, à la norme ISO 9001 – 2015 ainsi qu'à tout autre exigences de qualité définies dans la description d'achat des clients.

TRAÇABILITÉ

La traçabilité des étalons de débit au National Institute of Standards and Technology, NIST, est maintenue par les laboratoires de Fluke Corporation de Phoenix, Arizona et est conforme aux normes ISO/IEC 17025, ANSI/NC SL Z540-1-1994, ISO-10012-1, MIL-STD 45662A.

Le Service d'évaluation des laboratoires d'étalonnage (CLAS) du Conseil national de recherches du Canada (CNRC) a évalué et certifié la capacité d'étalonnage du laboratoire et la traçabilité au Système international d'unités (SI) ou à des étalons acceptables selon le CLAS. Le présent certificat d'étalonnage est délivré conformément aux conditions de certification du CLAS et aux conditions d'accréditation du Conseil canadien des normes (CCN). Le CLAS et le CCN ne garantissent pas l'exactitude des étalonnages individuels effectués par les laboratoires accrédités.

APTITUDE EN MATIÈRE DE MESURE ET D'ÉTALONNAGE - CMC

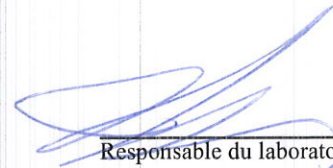
Les références utilisées pour l'étalonnage de débit ont une incertitude de $\pm 0.2\%$ de la lecture pour les mesures entre 5 SCCM à 10 SLPM, $\pm 0.3\%$ de la lecture pour les mesures entre 10 SLPM à 30 SLPM, $\pm 0.2\%$ de la lecture pour les mesures entre 30 SLPM à 3000 SLPM, $\pm 0.3\%$ de la lecture pour les mesures supérieures à 3000 SLPM jusqu'à 6000 SLPM et $\pm 0.5\%$ pour les mesures inférieures à 5 SCCM jusqu'à concurrence de 1 SCCM, équivalent air ou azote. Les incertitudes exprimées sont élargies avec un facteur d'élargissement $k = 2$, et ce, pour un niveau de confiance d'environ 95 %, dans l'hypothèse d'une distribution normale incluant la résolution de l'instrument. Le rapport d'incertitude des essais (RIE) de cet étalonnage respecte un ratio de 4:1 à moins d'indication contraire.

SOMMAIRE DES CONDITIONS DE L'INSTRUMENT EN TEST

Conditions initiales	En bon état
Travail Effectué	Étalonnage de l'instrument Lectures Initiales = Lectures finales, aucun ajustement
Résultats	Lectures finales dans les tolérances
Remarques	Fréquence d'étalonnage aux 12 mois



Bernard Poirier
Métrologue



Responsable du laboratoire

Certificat d'étalonnage # 11564

Numéro de série: 99A274209	Station de mesure: 3
Date d'étalonnage: 2019-11-28	Procédure: POS-CAL-005
Identification de l'instrument: EM-130	Règle de décision: Méthode #2

Instrument de mesure de référence utilisé pour l'étalonnage final

Description	Modèle	# Série	Traçabilité	Date dû
DHI molbloc (30 slpm)	3E4-VCR-V-Q	2359	1500254646	2020-02-07
DHI molbloc (120 slpm)	2E2-S	237	1500254678	2020-02-07
DHI molbox1	Molbox1	755	1500261095	2020-05-22
RTD Mist	M22	2208102	2019002616	2020-04-15
Module 44.5 PSI avec Baro 163671	Module 30	160659	2019002630	2020-04-24

Spécifications finales de l'appareil

Condition d'étalonnage

Gaz	Air	Gaz	Air
Température d'opération		Température ambiante	21.5 °C
Pression à l'entrée		Pression ambiante	1018.26 mbar
Pression à la sortie		Orientation	Verticale
Température de référence		Élastomère	Viton
Pression de référence		Valve	Viton
Étendue d'échelle	0-200 ACFH		
Signaux Entrée/Sortie	-		
Alimentation			
Tolérance	±1 %O.R.		

Lectures finales

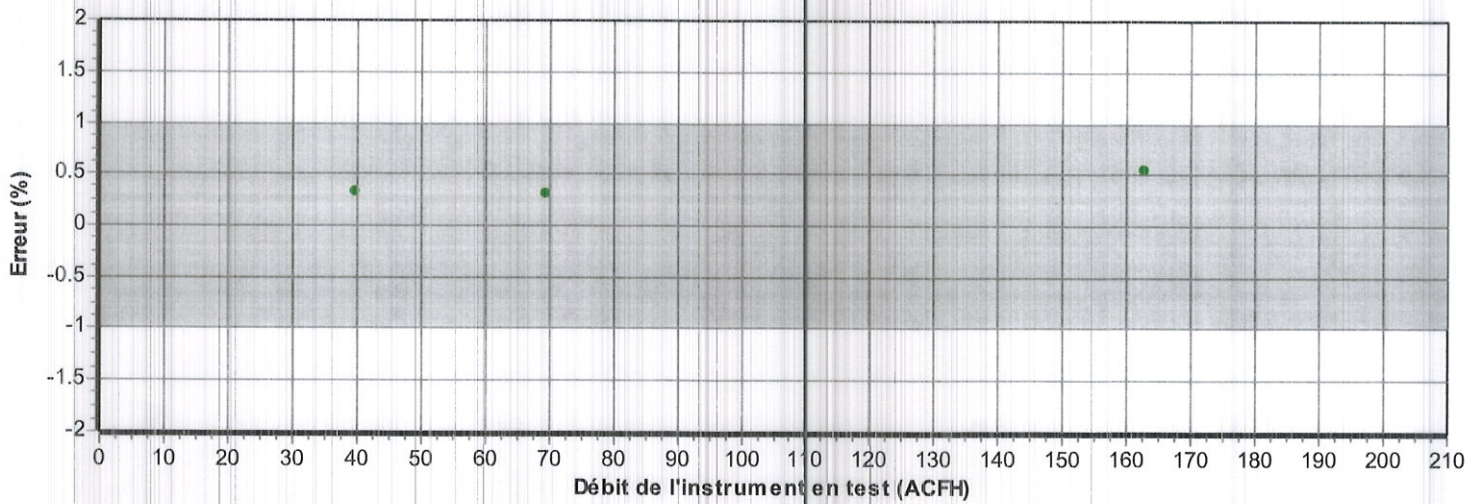
Débit du test ACFH	Instrument en test ft³	Valeurs mesurées			Référence calculée ft³	Erreur calculée ft³	Tolérance acceptable ft³	Incertitude k = 2 ft³	TUR
		Pression PSIA	Température °C	Référence ft³					
39.6043	6.610	14.797	21.12	6.634	6.588	0.022	0.066	0.022	2.97
69.4084	11.600	14.811	20.98	11.659	11.563	0.037	0.116	0.028	>4
162.8243	27.210	14.919	20.84	27.501	27.065	0.145	0.271	0.064	>4

Certificat d'étalonnage # 11564

Numéro de série: 99A274209
Date d'étalonnage: 2019-11-28
Identification de l'instrument: EM-130

Station de mesure: 3
Procédure: POS-CAL-005
Règle de décision: Méthode #2

Résultats finaux



Voir l'annexe pour la règle de décision

12 déc. 2019

CERTIFICAT D'ÉTALONNAGE # 11493

Date d'étalonnage : 2019-11-13
Date d'émission du certificat : 2019-11-13

Services Polyttests
695 B Gaudette street
St-Jean-sur-Richelieu, Québec, Canada
J3B 7S7

Étalonnage d'un
Shinigawa DCDA-2c S/N : 23544

CONFORMITÉ AU PROGRAMME DE QUALITÉ

Tous les étalonnages sont effectués conformément au manuel d'assurance qualité de Polycontrols qui est conforme à la norme ISO/IEC 17025 – 2005, à la norme ISO 9001 – 2015 ainsi qu'à tout autre exigences de qualité définies dans la description d'achat des clients.

TRAÇABILITÉ

La traçabilité des étalons de débit au National Institute of Standards and Technology, NIST, est maintenue par les laboratoires de Fluke Corporation de Phoenix, Arizona et est conforme aux normes ISO/IEC 17025, ANSI/NCSL Z540-1-1994, ISO-10012-1, MIL-STD 45662A.

Le Service d'évaluation des laboratoires d'étalonnage (CLAS) du Conseil national de recherches du Canada (CNRC) a évalué et certifié la capacité d'étalonnage du laboratoire et la traçabilité au Système international d'unités (SI) ou à des étalons acceptables selon le CLAS. Le présent certificat d'étalonnage est délivré conformément aux conditions de certification du CLAS et aux conditions d'accréditation du Conseil canadien des normes (CCN). Le CLAS et le CCN ne garantissent pas l'exactitude des étalonnages individuels effectués par les laboratoires accrédités.

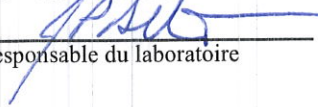
APTITUDE EN MATIÈRE DE MESURE ET D'ÉTALONNAGE - CMC


Les références utilisées pour l'étalonnage de débit ont une incertitude de $\pm 0.2\%$ de la lecture pour les mesures entre 5 SCCM à 10 SLPM, $\pm 0.3\%$ de la lecture pour les mesures entre 10 SLPM à 30 SLPM, $\pm 0.2\%$ de la lecture pour les mesures entre 30 SLPM à 3000 SLPM, $\pm 0.3\%$ de la lecture pour les mesures supérieures à 3000 SLPM jusqu'à 6000 SLPM et $\pm 0.5\%$ pour les mesures inférieures à 5 SCCM jusqu'à concurrence de 1 SCCM, équivalent air ou azote. Les incertitudes exprimées sont élargies avec un facteur d'élargissement $k = 2$, et ce, pour un niveau de confiance d'environ 95 %, dans l'hypothèse d'une distribution normale incluant la résolution de l'instrument. Le rapport d'incertitude des essais (RIE) de cet étalonnage respecte un ratio de 4:1 à moins d'indication contraire.

SOMMAIRE DES CONDITIONS DE L'INSTRUMENT EN TEST

Conditions initiales	En bon état
Travail Effectué	Étalonnage de l'instrument En considérant le coefficient de correction de 0.98 inscrit sur l'instrument Lectures initiales = Lectures finales, aucun ajustement
Résultats	Lectures finales dans les tolérances
Remarques	Fréquence d'étalonnage aux 12 mois Valeur de l'instrument corrigée = Lecture de l'indicateur de l'instrument * 0.98 K facteur


Métrologiste


Responsable du laboratoire


2019-11-20

Certificat d'étalonnage # 11493

Numéro de série: 23544	Station de mesure: 3
Date d'étalonnage: 2019-11-13	Procédure: POS-CAL-005
Identification de l'instrument: EM-178	

Instrument de mesure de référence utilisé pour l'étalonnage final

Description	Modèle	# Série	Traçabilité	Date dû
DHI molbloc (30 slpm)	3E4-VCR-V-Q	2403	1500261087	2020-05-21
DHI molbox1	Molbox1	755	1500261095	2020-05-22
RTD Mist	M22	2208102	2019002616	2020-04-15
Module 44.5 PSI avec Baro 163671	Module 30	160659	2019002630	2020-04-24

Spécifications finales de l'appareil

Condition d'étalonnage

Spécifications finales de l'appareil		Condition d'étalonnage	
Gaz	Air	Gaz	Air
Température d'opération		Température ambiante	20 °C
Pression à l'entrée		Pression ambiante	1024.1 mbar
Pression à la sortie		Orientation	Horizontale
Température de référence		Élastomère	Viton
Pression de référence		Valve	
Étendue d'échelle	10-2000 ALH		
Signaux Entrée/Sortie	-		
Alimentation			
Tolérance	±2 %O.R.		

Lectures finales

Débit du test ALH	Instrument en test L	Valeurs mesurées			Référence calculée L	Erreur calculée L	Tolérance acceptable L	TUR
		Pression PSIA	Température °C	Référence L				
397.5808	66.4146	14.8656	20.09	67.0975	66.1009	0.3137	1.3220	>4
690.6045	115.5910	14.8690	20.08	116.6548	114.8938	0.6972	2.2979	>4
1638.4206	273.5670	14.8870	20.09	277.0825	272.5753	0.9917	5.4515	>4

Bernard Poirier
Métrologue

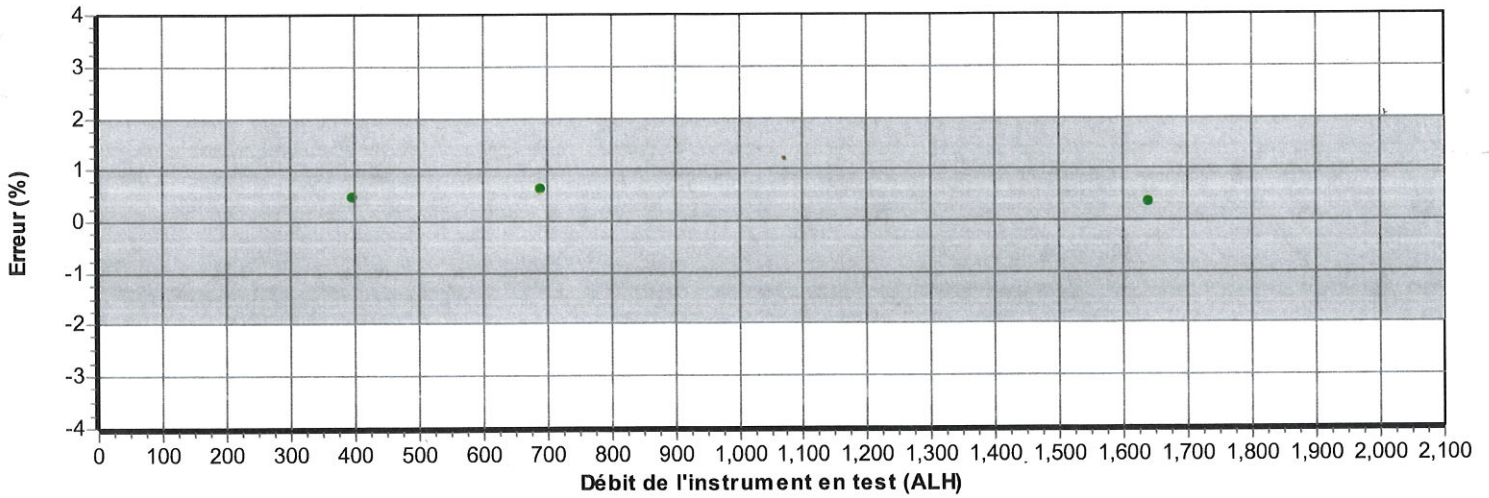


Signature

Certificat d'étalonnage # 11493

Numéro de série:	23544	Station de mesure:	3
Date d'étalonnage:	2019-11-13	Procédure:	POS-CAL-005
Identification de l'instrument:	EM-178		

Résultats finaux



- La mesure (et son incertitude) se situe dans les tolérances
- La mesure (et son incertitude) se situe hors tolérance
- La mesure (et son incertitude) ne rencontre pas la marge de sécurité tel que spécifié dans le document G-8 de l'ILAC

cal factor: 0.99528

[Signature]
2019-11-20

Bernard Poirier
Métrologue

[Signature]
Signature

CERTIFICAT D'ÉTALONNAGE # 11494

Date d'étalonnage : 2019-11-13
Date d'émission du certificat : 2019-11-13

Services Polytests
695 B Gaudette street
St-Jean-sur-Richelieu, Québec, Canada
J3B 7S7

Étalonnage d'un
Shinigawa DCDA-2c S/N : 23543

CONFORMITÉ AU PROGRAMME DE QUALITÉ

Tous les étalonnages sont effectués conformément au manuel d'assurance qualité de Polycontrols qui est conforme à la norme ISO/IEC 17025 – 2005, à la norme ISO 9001 – 2015 ainsi qu'à tout autre exigences de qualité définies dans la description d'achat des clients.

TRAÇABILITÉ

La traçabilité des étalons de débit au National Institute of Standards and Technology, NIST, est maintenue par les laboratoires de Fluke Corporation de Phoenix, Arizona et est conforme aux normes ISO/IEC 17025, ANSI/NCSL Z540-1-1994, ISO-10012-1, MIL-STD 45662A.


Le Service d'évaluation des laboratoires d'étalonnage (CLAS) du Conseil national de recherches du Canada (CNRC) a évalué et certifié la capacité d'étalonnage du laboratoire et la traçabilité au Système international d'unités (SI) ou à des étalons acceptables selon le CLAS. Le présent certificat d'étalonnage est délivré conformément aux conditions de certification du CLAS et aux conditions d'accréditation du Conseil canadien des normes (CCN). Le CLAS et le CCN ne garantissent pas l'exactitude des étalonnages individuels effectués par les laboratoires accrédités.

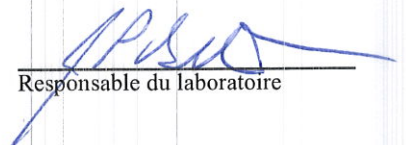
APTITUDE EN MATIÈRE DE MESURE ET D'ÉTALONNAGE - CMC

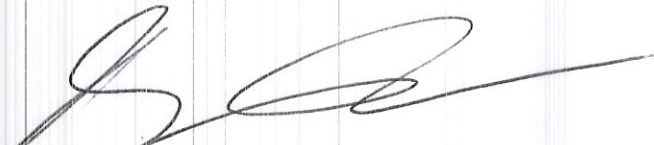
Les références utilisées pour l'étalonnage de débit ont une incertitude de $\pm 0.2\%$ de la lecture pour les mesures entre 5 SCCM à 10 SLPM, $\pm 0.3\%$ de la lecture pour les mesures entre 10 SLPM à 30 SLPM, $\pm 0.2\%$ de la lecture pour les mesures entre 30 SLPM à 3000 SLPM, $\pm 0.3\%$ de la lecture pour les mesures supérieures à 3000 SLPM jusqu'à 6000 SLPM et $\pm 0.5\%$ pour les mesures inférieures à 5 SCCM jusqu'à concurrence de 1 SCCM, équivalent air ou azote. Les incertitudes exprimées sont élargies avec un facteur d'élargissement $k = 2$, et ce, pour un niveau de confiance d'environ 95 %, dans l'hypothèse d'une distribution normale incluant la résolution de l'instrument. Le rapport d'incertitude des essais (RIE) de cet étalonnage respecte un ratio de 4:1 à moins d'indication contraire.

SOMMAIRE DES CONDITIONS DE L'INSTRUMENT EN TEST

Conditions initiales	En bon état
Travail Effectué	Étalonnage de l'instrument
Résultats	Lectures Initiales = Lectures finales, aucun ajustement
Remarques	Lectures finales dans les tolérances
	Fréquence d'étalonnage aux 12 mois


Métrologue


Responsable du laboratoire


2019. 11. 20

Certificat d'étalonnage # 11494

Numéro de série:	23543	Station de mesure:	3
Date d'étalonnage:	2019-11-13	Procédure:	POS-CAL-005
Identification de l'instrument:	EM-179		

Instrument de mesure de référence utilisé pour l'étalonnage final

Description	Modèle	# Série	Traçabilité	Date dû
DHI molbloc (30 slpm)	3E4-VCR-V-Q	2403	1500261087	2020-05-21
DHI molbox1	Molbox1	755	1500261095	2020-05-22
RTD Mist	M22	2208102	2019002616	2020-04-15
Module 44.5 PSI avec Baro 163671	Module 30	160659	2019002630	2020-04-24

Spécifications finales de l'appareil

Condition d'étalonnage

Spécifications finales de l'appareil		Condition d'étalonnage	
Gaz	Air	Gaz	Air
Température d'opération		Température ambiante	20.5 °C
Pression à l'entrée		Pression ambiante	1024.56 mbar
Pression à la sortie		Orientation	Horizontale
Température de référence		Élastomère	Viton
Pression de référence		Valve	
Étendue d'échelle	10-2000 ALH		
Signaux Entrée/Sortie	-		
Alimentation			
Tolérance	±2 %O.R.		

Lectures finales

Débit du test ALH	Instrument en test L	Pression PSIA	Valeurs mesurées		Référence L	Erreur calculée L	Tolérance acceptable L	TUR
			Température °C	Référence L				
394.6511	66.6500	14.8794	20.07	66.8508	66	0.6500	1.3159	>4
690.9394	117.0200	14.8798	19.96	116.8181	115	2.0200	2.2984	>4
1598.5354	269.2800	14.8909	19.92	270.6028	266	3.2800	5.3194	>4

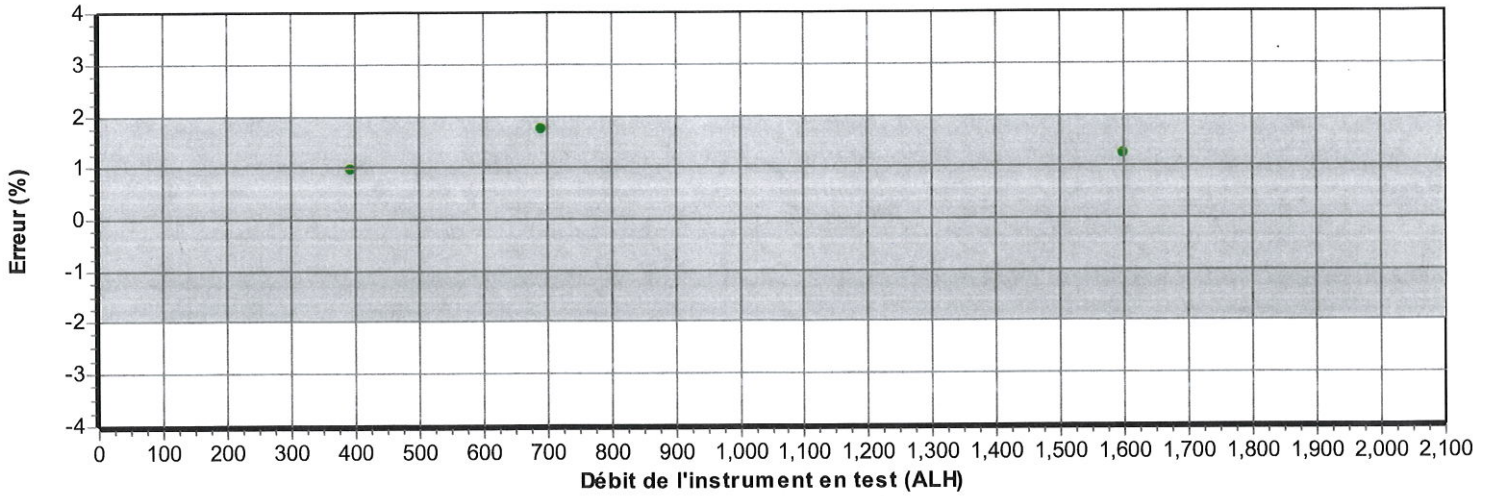
Bernard Poirier
Métrologue

B. Poirier
Signature

Certificat d'étalonnage # 11494

Numéro de série:	23543	Station de mesure:	3
Date d'étalonnage:	2019-11-13	Procédure:	POS-CAL-005
Identification de l'instrument:	EM-179		

Résultats finaux

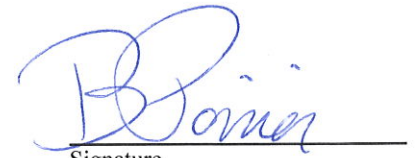


- La mesure (et son incertitude) se situe dans les tolérances
- La mesure (et son incertitude) se situe hors tolérance
- La mesure (et son incertitude) ne rencontre pas la marge de sécurité tel que spécifié dans le document G-8 de l'ILAC

CAL factor = 0,99025

Bernard Poirier
Métrologue


2019-11-20


Signature

CERTIFICAT D'ÉTALONNAGE

9900 Chemin de la Côte-de-Liesse, Lachine, QC H8T 1A1
www.dispersion.ca 1.866.390.5066

Client :	Polytests	No. du Certificat :	152-4BB901-181
Adresse :	695 B rue Gaudette St-Jean-sur-Richelieu, QC J3B7S7	Date d'étalonnage :	09-01-2018

Technicien:
Simeonidis, Georgios



David Llorens, Responsable Qualité

DESCRIPTION DU SERVICE:

Description des masses :	ASTM E617	Date d'approbation :	09-01-2018
Classe de précision :	ASTM 6	Date prochain étalonnage :	09-01-2023
Densité :	7.95g/cm ³	Accréditation CCN n. :	668
Identification (si unique) :	EM-090	Certification CLAS n. :	2010-01
Condition d'essai :	Temp °C: 21.17	Pression kPa: 101.475	Humidité: 48.665

NOTES:

Pour l'étalonnage des masses, nous utilisons la procédure "Comparaison individuelle" PDL-09-MG-001 et la procédure "Détermination des incertitudes" PDL-09-MG-002. Le droit d'auteur du présent certificat appartient au laboratoire délivreur et doit être reproduit intégralement, à moins d'une autorisation écrite du laboratoire délivreur.

REMARQUES:



11 JANV. 2018

page 1 de 5

CERTIFICAT D'ÉTALONNAGE

9900 Chemin de la Côte-de-Liesse, Lachine, QC H8T 1A1
www.dispersion.ca 1.866.390.5066

BALANCES UTILISÉES

Pour l'étalonnage manuel :

> 5 kg à 25 kg :	Mettler Toledo XP32003L, SNR 1123271214, max. 32100 g, d = 0.005 g
> 1 kg à 5 kg	Mettler Toledo PR5003, SNR 1115311634, max. 5100 g, d = 0.001 g
> 300 g à 2 kg :	Mettler Toledo XP2004S, SNR B131185222, max. 2100 g, d = 0.1 mg
> 100 g à 200 g :	Mettler Toledo AT201 SNR BA1115230146, max. 205 g, d = 0.01 mg
> 5 g à 100 g :	Mettler Toledo AX106 SNR 1127063924, max. 111 g, d = 1 µg
1 mg à 5 g :	Mettler UMX5, SNR 1121103055, max. 5.1 g, d = 0.1 µg

Pour l'étalonnage automatisé :

> 200 g à 1 kg :	Mettler Toledo AX1005 SNR 1127063210, max. 1109 g, d = 0.01 mg
> 5 g à 100 g :	Mettler Toledo AX106 SNR 1120143015, max. 111 g, d = 1 µg
1 mg à 5 g :	Mettler UMX5, SNR 1125140561, max. 5.1 g, d = 0.1 µg

Les balances sont vérifiées selon notre procédure de contrôle périodique PDL-11-MG-001.

INCERTITUDES:

Les incertitudes que nous retrouvons comprennent :

1. *L'incertitude associée à l'opération de pesage.*
2. *L'incertitude associée à la densité de l'air.*
3. *L'incertitude associée à l'étalon utilisé.*
4. *L'incertitude associée à la densité de la masse à être étalonnée.*

L'incertitude de l'opération de pesage comprend la reproductibilité à long terme.

Les incertitudes précisées dans ce rapport sont des incertitudes élargies représentant un niveau de confiance d'approximativement 95 %, obtenu en multipliant ensemble l'incertitude-type composée par un facteur de couverture de $k = 2$. Pour de plus amples renseignements, veuillez consulter la publication GUM (Guide pour l'expression de l'incertitude de mesure, édition de 1995).

TRAÇABILITÉ

Le Service d'évaluation de laboratoires d'étalonnage (CLAS) du Conseil national de recherches du Canada (CNRC) a évalué et a certifié des capacités d'étalonnage spécifiques de ce laboratoire et leur traçabilité à des étalons nationaux de mesure reconnus et au Système international d'unités (SI). Ce certificat d'étalonnage est émis conformément aux conditions de certification accordées par CLAS et aux conditions d'accréditation accordées par le Conseil canadien des normes (CCN). Le CLAS pas plus que le CCN ne peut garantir l'exactitude des étalonnages individuels effectués par des laboratoires accrédités.

D.P

CERTIFICAT D'ÉTALONNAGE

9900 Chemin de la Côte-de-Liesse, Lachine, QC H8T 1A1
www.dispersion.ca 1.866.390.5066

RÉFÉRENCES UTILISÉES

Poids	No de série	Fabricant	Date d'étalonnage	Date due
20kg	69976	Troemner	30-05-2017	30-05-2018
5kg	129099	Mettler Toledo	02-09-2017	02-09-2018
5kg	96-0888-50-3	Denver Instrument Company	02-09-2017	02-09-2018
2kg	129098	Mettler Toledo	02-09-2017	02-09-2018
2kg	96-0888-50-3	Denver Instrument Company	02-09-2017	02-09-2018
300g	96-0888-50-2	Denver Instrument Company	02-09-2017	02-09-2018
1kg - 1mg	MT-01	Mettler Toledo	02-09-2017	02-09-2018

ÉTALONS CERTIFIÉS PAR LE CNRC(Référence NRC MS-2016-0021)

Poids	No de série	Fabricant	Date d'étalonnage	Date due
100g	95170	Mettler Toledo	17-10-2016	17-10-2018
10kg	129100	Mettler Toledo	17-10-2016	17-10-2018
1kg	95171	Mettler Toledo	17-10-2016	17-10-2018

RÉFÉRENCES DE LA STATION ROBOTISÉE

Poids	No de série	Fabricant	Date d'étalonnage	Date due
1kg - 1mg	DK000A132	Laboratoire Dispersion	01-08-2017	01-08-2018

DP

Mettler Toledo
Service Business Unit Industrial
1900 Polaris Parkway
Columbus, OH 43240
1-800-METTLER



Accredited by the American Association
for Laboratory Accreditation (A2LA)
CALIBRATION CERT #1902.01

ISO 17025 Registered
ANSI/NCSL Z540-1 Accredited

Certificat de Calibration de Précision Accuracy Calibration Certificate

Client

Compagnie:	Services Polytests	Contact:	Danick Power
Adresse:	695-B Rue Gaudette		
Ville:	Saint-Jean-Sur-Richelieu		
Zip/Code Postal:	J3B 7S7		
État/Province:	Quebec		

Weighing Device

Manufacturier:	RICE LAKE	Type d'Instrument:	Weighing Instrument
Modèle:	4X4HP-10K	# Outil:	EM114 - EM.137
No. Série:	C18395	Modèle Indicateur:	IQ+355
Building:	N/D	Terminal Serial No.:	N/D
Floor:	N/D	Terminal Asset No.:	N/D
Room:	N/D		

Plage	Capacité Max	Libérité (d)
1	400 kg	0.05 kg

Procedure

Instruction de Calibration: EURAMET cg-18 v. 4.0 (11/2015)
Instruction de travail METTLER TOLEDO: 30260953 Rev1.31

Ce certificat de calibration contient des mesures pour la calibration Tel que Trouvé. Aucune calibration Tel que Laisse n'a été effectuée puisque l'appareil n'a pas été modifié suite à la calibration Tel que Trouvé. Par conséquent, les résultats Tel que Laisse correspondent aux résultats Tel que Trouvé.

The calibration was agreed with the user below the maximum capacity of the balance.

Temperature		
Tel que Trouvé	Start: 21.2 °C	End: 21.2 °C

Environmental conditions have been verified to ensure the accuracy of the calibration.

This certificate is issued in accordance with the conditions of accreditation granted by A2LA, which is based on ISO/IEC 17025. A2LA has assessed the measurement capability of the laboratory and its traceability to recognized national standards.

Date calibration Tel que Trouvé:	18-Nov-2019	Authorized A2LA Signatory:	
Date calibration Tel que Laisse:	N/D		
Date d'Émission:	18-Nov-2019		Stephane Poisson
Requested Next Calibration Date:	30-Nov-2020		

2019-11-20

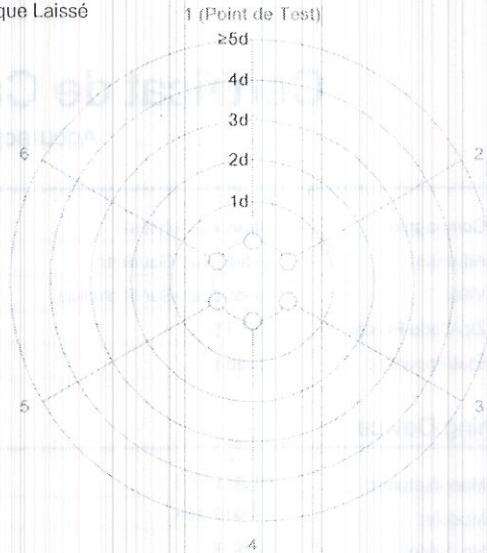
Résultats de Mesure

Répétabilité

Charge de Test: 70 kg

	Tel que Trouvé	Tel que Laissé
1	70.00 kg	N/D
2	70.00 kg	N/D
3	70.00 kg	N/D
4	70.00 kg	N/D
5	70.00 kg	N/D
6	70.00 kg	N/D
Écart Type	0.000 kg	N/D

- Tel que Trouvé
- ◆ Tel que Laissé



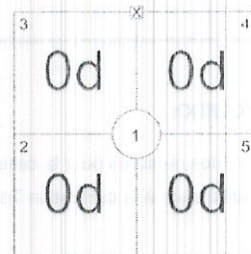
The "d" in the graph represents the readability of the range/interval in which the test was performed.

The results of this graph are based upon the absolute values of the differences from the mean value.

Excentricité

Charge de Test: 50 kg

Position	Tel que Trouvé	Tel que Laissé
1	50.00 kg	N/D
2	50.00 kg	N/D
3	50.00 kg	N/D
4	50.00 kg	N/D
5	50.00 kg	N/D
Déviation Maximale	0.00 kg	N/A



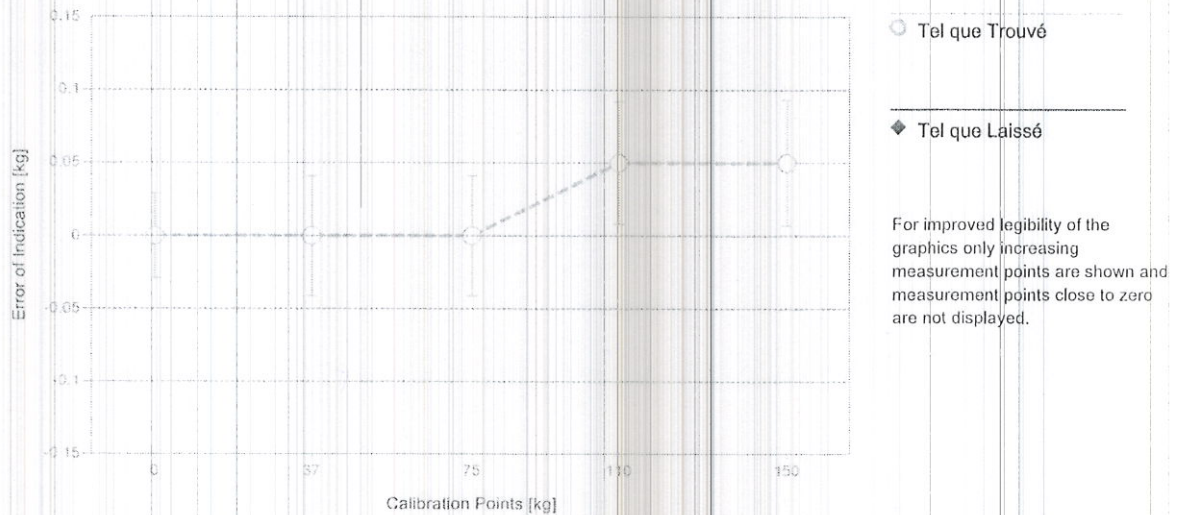
Tel que Trouvé

The "d" in the graph represents the readability of the range/interval in which the test was performed.

Erreur d'indication

Tel que Trouvé

	Reference Value	Indication	Erreur d'indication	Incertitude Élargie	k
1	0 kg	0.00 kg	0.00 kg	0.029 kg	2
2	37 kg	37.00 kg	0.00 kg	0.041 kg	2
3	75 kg	75.00 kg	0.00 kg	0.041 kg	2
4	110 kg	110.05 kg	0.05 kg	0.042 kg	2
5	150 kg	150.05 kg	0.05 kg	0.043 kg	2
6	110 kg	110.05 kg	0.05 kg	0.042 kg	2
7	75 kg	75.05 kg	0.05 kg	0.041 kg	2
8	37 kg	37.00 kg	0.00 kg	0.041 kg	2
9	0 kg	0.00 kg	0.00 kg	0.029 kg	2



The uncertainty stated is the expanded uncertainty at calibration obtained by multiplying the standard combined uncertainty by the coverage factor k – which can be larger than 2 according to EURAMET cg-18. The value of the measurand lies within the assigned range of values with a probability of approximately 95%. The user is responsible for maintaining environmental conditions and the settings of the weighing instrument when it was calibrated.

Test Equipment

Tous les poids utilisés pour le contrôle métrologique sont retraçables aux étalons Nationaux et Internationaux. Les poids ont été calibrés et certifiés par un laboratoire de calibration accrédité.

Jeu de Poids 1: OIML M1

Weight Set Number:	M	Date d'Émission:	21-Mar-2019
# Certificat:	1412621	Date de Calibration Due:	21-Mar-2020

Jeu de Poids 2: OIML M1

Weight Set Number:	22939	Date d'Émission:	23-Jul-2019
# Certificat:	M19-0335	Date de Calibration Due:	23-Jul-2020

Remarques

N/D

End of Accredited Section

The information below and any attachments to this calibration certificate are not part of the accredited calibration.

Incertitude de Mesure du dispositif de pesage en opération

Stated is the expanded uncertainty with $k=2$ in use. The formula shall be used for the estimation of the uncertainty under consideration of the errors of indication. The value R represents the net load indication in the unit of measure of the device.

Coefficient de température pour l'évaluation de l'incertitude de mesure en opération: $10.0 \cdot 10^{-6} / K$

Plage d'opération sur le site pour l'évaluation de l'incertitude de mesure en opération: 20 K

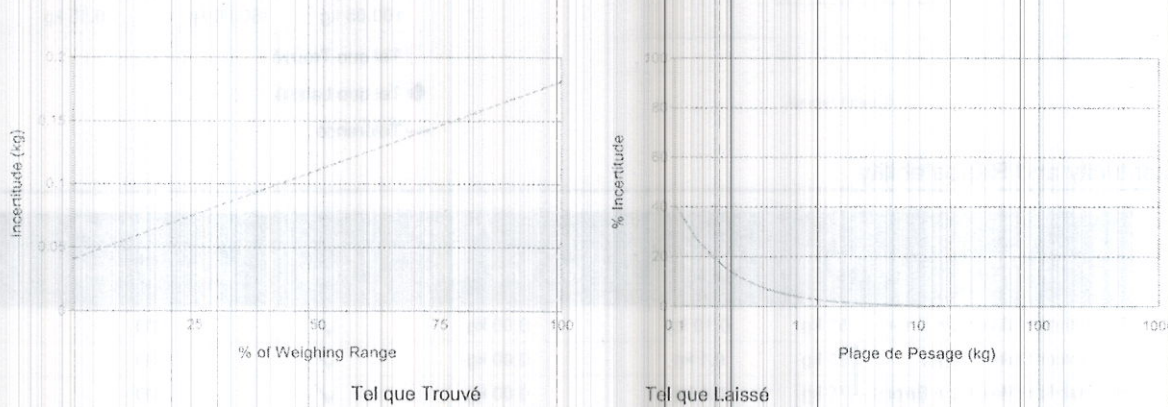
Linéarisation de l'Équation d'Incetitude

	Plage	Tel que Trouvé	Tel que Laissé
1	0 kg - 400 kg	$U_1 = 41 \text{ g} + 0.937 \text{ g/kg} \cdot R$	N/A

To optimize the stability of the linearization, besides of the zero load only increasing measurement points with a test load of 5% of the measurement range or larger are taken for the calculation of the linear equation.

Absolute and Relative Measurement Uncertainty in Use for Various Net Indications (Examples)

Indication Net	Tel que Trouvé		Tel que Laissé	
	Value	%	Value	%
1.50 kg	0.042 kg	2.8%	N/A	N/A
15.00 kg	0.055 kg	0.37%	N/A	N/A
30.00 kg	0.069 kg	0.23%	N/A	N/A
75.00 kg	0.11 kg	0.15%	N/A	N/A
150.00 kg	0.18 kg	0.12%	N/A	N/A



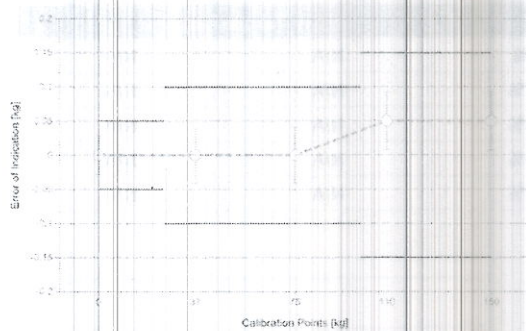
Handbook 44 Tolerance Assessment (Entretien)

Les mesures du certificat de calibration joint ont été évaluées selon les tolérances définies par NIST HB44.

Tel que Trouvé Global Tel que Laissé N/D = Passed = Failed

Weighing Device

Range	Max. Capacity	Readability (d)	Verification Scale Interval (e)	Class
1	400 kg	0.05 kg	0.05 kg	III



Tolerances according to NIST Handbook 44

Test Load		Tolérance
From	To	
0.00 kg	0.00 kg	0.0125 kg
0.05 kg	25.00 kg	0.05 kg
25.05 kg	100.00 kg	0.1 kg
100.05 kg	150.00 kg	0.15 kg

- Tel que Trouvé
- Tel que Laissé
- Tolérance

Eccentricity and Repeatability

Test	Test Load	Tolérance	As Found		As Left	
			Max. Error / Range	Result	Max. Error / Range	Result
Excentricité (Maximum Error)	50 kg	0.10 kg	0.00 kg	✓	N/D	N/D
Excentricité (Plage)	50 kg	0.1 kg	0.00 kg	✓	N/D	N/D
Répétabilité (Maximum Error)	70 kg	0.1 kg	0.00 kg	✓	N/D	N/D
Répétabilité (Plage)	70 kg	0.10 kg	0.00 kg	✓	N/D	N/D

Max. Error: Maximum of the absolute values of the individual errors.
Range: Difference between largest and smallest measurement value.

Error of Indication

	Reference Value	Tolérance	As Found		As Left	
			Error of Indication	Result	Error of Indication	Result
1	0 kg	0.05 kg	0.00 kg	✓	N/D	N/D
2	37 kg	0.10 kg	0.00 kg	✓	N/D	N/D
3	75 kg	0.10 kg	0.00 kg	✓	N/D	N/D
4	110 kg	0.15 kg	0.05 kg	✓	N/D	N/D
5	150 kg	0.15 kg	0.05 kg	✓	N/D	N/D
6	110 kg	0.15 kg	0.05 kg	✓	N/D	N/D
7	75 kg	0.10 kg	0.05 kg	✓	N/D	N/D
8	37 kg	0.10 kg	0.00 kg	✓	N/D	N/D
9	0 kg	0.05 kg	0.00 kg	✓	N/D	N/D



**Instrumentation
Saint-Laurent** inc.
Accrédité ISO 17025



80 rue de la montagne
St-Joseph du lac
(Québec), J0N 1M0
Tél: (450) 473-6169
Fax: (450) 473-5207
Email: inst.st-laurent@videotron.ca

CERTIFICAT D'ÉTALONNAGE

No.Certificat: CE-EM-126 06/03/19

CLIENT	
Compagnie:	Services Polytests Inc
Adresse:	695 B rue Gaudette St-Jean-sur-Richelieu, Québec, J3B 7S7

SPÉCIFICATION DE CALIBRATION	
Procédure de service:	4IN9106
Précision requise:	+/- 1"Hg
Fréquence d'étalonnage: (jours)	365

SPÉCIFICATION DE L'INSTRUMENT			
Type d'instrument:	Manomètre	Type d'entrée:	Pression
Manufacturier:	Dwyer	Type de sortie:	Digitale
No. Model:	DPG200	Type de mesure:	Pression
No. Série:	N.A.	Gamme:	0-28"Hg
Emplacement:	N.A.	No. Machine:	N.A.

SPÉCIFICATION DE L'ÉTALON			
Étalon Utilisé:	Fluke 744	No. du certificat d'étalonnage:	2019000879
No. Série:	7798010	Dernière date d'étalonnage:	7-Feb-19
Certificat fait par:	Alpha Controls	Prochaine date d'étalonnage:	7-Feb-20
Commentaire:			

SPÉCIFICATION DE L'ÉTALON			
Étalon Utilisé:	Crystal XP2i	No. du certificat d'étalonnage:	2018004512
No. Série:	258139	Dernière date d'étalonnage:	9-Jul-18
Certificat fait par:	Alpha Controls	Prochaine date d'étalonnage:	9-Jul-19
Commentaire:			

RÉSULTAT D'ÉTALONNAGE						
Entrée Source	Valeur Donnée	Valeur Actuelle	Erreur de Déviation	Valeur après Étalonnage	Incertitude Élargie	Commentaire
0.00 "Hg	0.00 "Hg	0.00 "Hg	0.00 "Hg	0.00 "Hg	1 "Hg	Vérification indicateur
-7.50 "Hg	-7.50 "Hg	-7.61 "Hg	-0.11 "Hg	-7.61 "Hg	1 "Hg	Vérification indicateur
-15.00 "Hg	-15.00 "Hg	-15.25 "Hg	-0.25 "Hg	-15.25 "Hg	1 "Hg	Vérification indicateur
-22.50 "Hg	-22.50 "Hg	-22.88 "Hg	-0.38 "Hg	-22.88 "Hg	1 "Hg	Vérification indicateur
-28.00 "Hg	-28.00 "Hg	-28.48 "Hg	-0.48 "Hg	-28.48 "Hg	1 "Hg	Vérification indicateur
0.00 "Hg	10.0000 V.DC.	10.0625 V.DC.	+0.0625 V.DC.	10.0625 V.DC.	0.5 V.DC.	Vérification sortie analogique
-7.50 "Hg	8.0000 V.DC.	8.0413 V.DC.	+0.0413 V.DC.	8.0413 V.DC.	0.5 V.DC.	Vérification sortie analogique
-15.00 "Hg	6.0000 V.DC.	6.0055 V.DC.	+0.0055 V.DC.	6.0055 V.DC.	0.5 V.DC.	Vérification sortie analogique
-22.50 "Hg	4.0000 V.DC.	3.9621 V.DC.	-0.0379 V.DC.	3.9621 V.DC.	0.5 V.DC.	Vérification sortie analogique
-28.00 "Hg	2.5333 V.DC.	2.4497 V.DC.	-0.0836 V.DC.	2.4497 V.DC.	0.5 V.DC.	Vérification sortie analogique
Conditions Environnementales:			Température: 19 °C	Humidité: 16 %RH		
Type d'Étalonnage:						



**Instrumentation
Saint-Laurent** inc.
Accrédité ISO 17025



80 rue de la montagne
St-Joseph du lac
(Québec), J0N 1M0
Tél: (450) 473-6169
Fax: (450) 473-5207
Email: inst.st-laurent@videotron.ca

CERTIFICAT D'ÉTALONNAGE

No.Certificat: CE-EM-126 06/03/19

CLIENT	
Compagnie:	Services Polytests Inc
Adresse:	695 B rue Gaudette St-Jean-sur-Richelieu, Québec, J3B 7S7

SPÉCIFICATION DE CALIBRATION	
Procédure de service:	4IN9106
Précision requise:	+/- 1"Hg
Fréquence d'étalonnage: (jours)	365

SPÉCIFICATION DE L'INSTRUMENT			
Type d'instrument:	Manomètre	Type d'entrée:	Pression
Manufacturier:	Dwyer	Type de sortie:	Digitale
No. Model:	DPG200	Type de mesure:	Pression
No. Série:	N.A.	Gamme:	0-28"Hg
Emplacement:	N.A.	No. Machine:	N.A.

Instrumentation St-Laurent Inc. Certifie que l'instrument ci-haut, rencontre ou excède les spécifications établies par le fabriquant. Le système qualité de l'entreprise est conforme aux exigences de la norme ISO 17025 et les étalons utilisés pour effectuer l'étalonnage est retraçable au CNRC et/ou au NIST. Le degré d'incertitude est basé sur un niveau de confiance=95%, K=2.

DATE D'ÉTALONNAGE / ÉMISSION DU CERTIFICAT	
Date d'Étalonnage:	6 Mars 2019
Date du prochain Étalonnage:	6 Mars 2020
Date d'émission du certificat:	6 Mars 2019

CONFORMITÉ D'ÉTALONNAGE		
	Avant	Après
Conforme:	X	X
Non Conforme:		

Le Service d'évaluation des laboratoires d'étalonnage (CLAS) du Conseil national de recherches du Canada (CNRC) a évalué et certifié la capacité d'étalonnage du laboratoire et la traçabilité au Système international d'unités (SI) ou à des étalons acceptables selon le CLAS. Le présent certificat d'étalonnage est délivré conformément aux conditions de certification du CLAS et aux conditions d'accréditation du Conseil canadien des normes (CCN). Numéro d'accréditation du CCN: # 669. Le CLAS et le CCN ne garantissent pas l'exactitude des étalonnages individuels effectués par les laboratoires accrédités.

Martin Langlais - Technicien



**Instrumentation
Saint-Laurent** inc.
Accrédité ISO 17025



80 rue de la montagne
St-Joseph du lac
(Québec), J0N 1M0
Tél: (450) 473-6169
Fax: (450) 473-5207
Email: inst.st-laurent@videotron.ca

CERTIFICAT D'ÉTALONNAGE

No.Certificat: CE-EM-127 06/03/19

CLIENT	
Compagnie:	Services Polytests Inc
Adresse:	695 B rue Gaudette St-Jean-sur-Richelieu, Québec, J3B 7S7

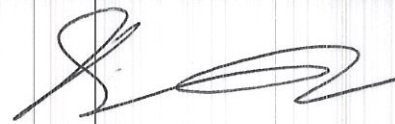
SPÉCIFICATION DE CALIBRATION	
Procédure de service:	4IN9106
Précision requise:	+/- 1"Hg
Fréquence d'étalonnage: (jours)	365

SPÉCIFICATION DE L'INSTRUMENT			
Type d'instrument:	Manomètre	Type d'entrée:	Pression
Manufacturier:	Dwyer	Type de sortie:	Digitale
No. Model:	DPG200	Type de mesure:	Pression
No. Série:	N.A.	Gamme:	0-28"Hg
Emplacement:	N.A.	No. Machine:	N.A.

SPÉCIFICATION DE L'ÉTALON			
Étalon Utilisé:	Fluke 744	No. du certificat d'étalonnage:	2019000879
No. Série:	7798010	Dernière date d'étalonnage:	7-Feb-19
Certificat fait par:	Alpha Controls	Prochaine date d'étalonnage:	7-Feb-20
Commentaire:			

SPÉCIFICATION DE L'ÉTALON			
Étalon Utilisé:	Crystal XP2i	No. du certificat d'étalonnage:	2018004512
No. Série:	258139	Dernière date d'étalonnage:	9-Jul-18
Certificat fait par:	Alpha Controls	Prochaine date d'étalonnage:	9-Jul-19
Commentaire:			

RÉSULTAT D'ÉTALONNAGE						
Entrée Source	Valeur Donnée	Valeur Actuelle	Erreur de Déviation	Valeur après Étalonnage	Incertitude Élargie	Commentaire
0.00 "Hg	0.00 "Hg	0.00 "Hg	0.00 "Hg	0.00 "Hg	1 "Hg	Vérification indicateur
-7.50 "Hg	-7.50 "Hg	-7.49 "Hg	+0.01 "Hg	-7.49 "Hg	1 "Hg	Vérification indicateur
-15.00 "Hg	-15.00 "Hg	-14.84 "Hg	+0.16 "Hg	-14.84 "Hg	1 "Hg	Vérification indicateur
-22.50 "Hg	-22.50 "Hg	-22.57 "Hg	-0.07 "Hg	-22.57 "Hg	1 "Hg	Vérification indicateur
-28.00 "Hg	-28.00 "Hg	-27.86 "Hg	+0.14 "Hg	-27.86 "Hg	1 "Hg	Vérification indicateur
0.00 "Hg	10.0000 V.DC.	10.0152 V.DC.	+0.0152 V.DC.	10.0152 V.DC.	0.5 V.DC.	Vérification sortie analogique
-7.50 "Hg	8.0000 V.DC.	8.0359 V.DC.	+0.0359 V.DC.	8.0359 V.DC.	0.5 V.DC.	Vérification sortie analogique
-15.00 "Hg	6.0000 V.DC.	6.0757 V.DC.	+0.0757 V.DC.	6.0757 V.DC.	0.5 V.DC.	Vérification sortie analogique
-22.50 "Hg	4.0000 V.DC.	3.9980 V.DC.	-0.0020 V.DC.	3.9980 V.DC.	0.5 V.DC.	Vérification sortie analogique
-28.00 "Hg	2.5333 V.DC.	2.5845 V.DC.	+0.0512 V.DC.	2.5845 V.DC.	0.5 V.DC.	Vérification sortie analogique
Conditions Environnementales:			Température: 19 °C	Humidité: 16 %RH		
Type d'Étalonnage:						


2019-03-19



**Instrumentation
Saint-Laurent** inc.
Accrédité ISO 17025



80 rue de la montagne
St-Joseph du lac
(Québec), J0N 1M0
Tél: (450) 473-6169
Fax: (450) 473-5207
Email: inst.st-laurent@videotron.ca

CERTIFICAT D'ÉTALONNAGE

No.Certificat: CE-EM-127 06/03/19

CLIENT	
Compagnie:	Services Polytests Inc
Adresse:	695 B rue Gaudette St-Jean-sur-Richelieu, Québec, J3B 7S7

SPÉCIFICATION DE CALIBRATION	
Procédure de service:	4IN9106
Précision requise:	+/- 1"Hg
Fréquence d'étalonnage: (jours)	365

SPÉCIFICATION DE L'INSTRUMENT			
Type d'instrument:	Manomètre	Type d'entrée:	Pression
Manufacturier:	Dwyer	Type de sortie:	Digitale
No. Model:	DPG200	Type de mesure:	Pression
No. Série:	N.A.	Gamme:	0-28"Hg
Emplacement:	N.A.	No. Machine:	N.A.

Instrumentation St-Laurent Inc. Certifie que l'instrument ci-haut, rencontré ou excède les spécifications établies par le fabriquant. Le système qualité de l'entreprise est conforme aux exigences de la norme ISO 17025 et les étalons utilisés pour effectuer l'étalonnage est retraçable au CNRC et/ou au NIST. Le degré d'incertitude est basé sur un niveau de confiance=95%, K=2.

DATE D'ÉTALONNAGE / ÉMISSION DU CERTIFICAT	
Date d'Étalonnage:	6 Mars 2019
Date du prochain Étalonnage:	6 Mars 2020
Date d'émission du certificat:	6 Mars 2019

CONFORMITÉ D'ÉTALONNAGE		
	Avant	Après
Conforme:	X	X
Non Conforme:		

Le Service d'évaluation des laboratoires d'étalonnage (CLAS) du Conseil national de recherches du Canada (CNRC) a évalué et certifié la capacité d'étalonnage du laboratoire et la traçabilité au Système international d'unités (SI) ou à des étalons acceptables selon le CLAS. Le présent certificat d'étalonnage est délivré conformément aux conditions de certification du CLAS et aux conditions d'accréditation du Conseil canadien des normes (CCN). Numéro d'accréditation du CCN: # 669. Le CLAS et le CCN ne garantissent pas l'exactitude des étalonnages individuels effectués par les laboratoires accrédités.

Martin Langlais - Technicien

CERTIFICAT D'ÉTALONNAGE

9900 Chemin de la Côte-de-Liesse, Lachine, QC H8T 1A1
www.dispersion.ca 1.866.390.5066

Client :	Polytests	No. du Certificat :	152-4BB901-182
Adresse :	695 B rue Gaudette St-Jean-sur-Richelieu, QC J3B7S7	Date d'étalonnage :	09-01-2018

Technicien:
Simeonidis, Georgios



David Llorens, Responsable Qualité


DESCRIPTION DU SERVICE:

Description des masses :	ASTM E617	Date d'approbation :	09-01-2018
Classe de précision :	ASTM 1	Date prochain étalonnage :	09-01-2023
Densité :	7.95g/cm ³	Accréditation CCN n. :	668
Identification (si unique) :	(items multiples)	Certification CLAS n. :	2010-01
Condition d'essai :	Temp °C: 21.265	Pression kPa: 101.565	Humidité: 49.58

NOTES:

Pour l'étalonnage des masses, nous utilisons la procédure "Comparaison individuelle" PDL-09-MG-001 et la procédure "Détermination des incertitudes" PDL-09-MG-002. Le droit d'auteur du présent certificat appartient au laboratoire délivreur et doit être reproduit intégralement, à moins d'une autorisation écrite du laboratoire délivreur.

REMARQUES:


11 JANV. 2018
page 1 de 5

CERTIFICAT D'ÉTALONNAGE

9900 Chemin de la Côte-de-Liesse, Lachine, QC H8T 1A1
www.dispersion.ca 1.866.390.5066

BALANCES UTILISÉES

Pour l'étalonnage manuel :

> 5 kg à 25 kg :	Mettler Toledo XP32003L, SNR 1123271214, max. 32100 g, d = 0.005 g
> 1 kg à 5 kg	Mettler Toledo PR5003, SNR 1115311634, max. 5100 g, d = 0.001 g
> 300 g à 2 kg :	Mettler Toledo XP2004S, SNR B131185222, max. 2100 g, d = 0.1 mg
> 100 g à 200 g :	Mettler Toledo AT201 SNR BA1115230146, max. 205 g, d = 0.01 mg
> 5 g à 100 g :	Mettler Toledo AX106 SNR 1127063924, max. 111 g, d = 1 µg
1 mg à 5 g :	Mettler UMX5, SNR 1121103055, max. 5.1 g, d = 0.1 µg

Pour l'étalonnage automatisé :

> 200 g à 1 kg :	Mettler Toledo AX1005 SNR 1127063210, max. 1109 g, d = 0.01 mg
> 5 g à 100 g :	Mettler Toledo AX106 SNR 1120143015, max. 111 g, d = 1 µg
1 mg à 5 g :	Mettler UMX5, SNR 1125140561, max. 5.1 g, d = 0.1 µg

Les balances sont vérifiées selon notre procédure de contrôle périodique PDL-11-MG-001.

INCERTITUDES:

Les incertitudes que nous retrouvons comprennent :

1. L'incertitude associée à l'opération de pesage.
2. L'incertitude associée à la densité de l'air.
3. L'incertitude associée à l'étalon utilisé.
4. L'incertitude associée à la densité de la masse à être étalonnée.

L'incertitude de l'opération de pesage comprend la reproductibilité à long terme.

Les incertitudes précisées dans ce rapport sont des incertitudes élargies représentant un niveau de confiance d'approximativement 95 %, obtenu en multipliant ensemble l'incertitude-type composée par un facteur de couverture de $k = 2$. Pour de plus amples renseignements, veuillez consulter la publication GUM (Guide pour l'expression de l'incertitude de mesure, édition de 1995).

TRAÇABILITÉ

Le Service d'évaluation de laboratoires d'étalonnage (CLAS) du Conseil national de recherches du Canada (CNRC) a évalué et a certifié des capacités d'étalonnage spécifiques de ce laboratoire et leur traçabilité à des étalons nationaux de mesure reconnus et au Système international d'unités (SI). Ce certificat d'étalonnage est émis conformément aux conditions de certification accordées par CLAS et aux conditions d'accréditation accordées par le Conseil canadien des normes (CCN). Le CLAS pas plus que le CCN ne peut garantir l'exactitude des étalonnages individuels effectués par des laboratoires accrédités.



CERTIFICAT D'ÉTALONNAGE

9900 Chemin de la Côte-de-Liesse, Lachine, QC H8T 1A1
www.dispersion.ca 1.866.390.5066

RÉFÉRENCES UTILISÉES

Poids	No de série	Fabricant	Date d'étalonnage	Date due
20kg	69976	Troemner	30-05-2017	30-05-2018
5kg	129099	Mettler Toledo	02-09-2017	02-09-2018
5kg	96-0888-50-3	Denver Instrument Company	02-09-2017	02-09-2018
2kg	129098	Mettler Toledo	02-09-2017	02-09-2018
2kg	96-0888-50-3	Denver Instrument Company	02-09-2017	02-09-2018
300g	96-0888-50-2	Denver Instrument Company	02-09-2017	02-09-2018
1kg - 1mg	MT-01	Mettler Toledo	02-09-2017	02-09-2018

ÉTALONS CERTIFIÉS PAR LE CNRC(Référence NRC MS-2016-0021)

Poids	No de série	Fabricant	Date d'étalonnage	Date due
100g	95170	Mettler Toledo	17-10-2016	17-10-2018
10kg	129100	Mettler Toledo	17-10-2016	17-10-2018
1kg	95171	Mettler Toledo	17-10-2016	17-10-2018

RÉFÉRENCES DE LA STATION ROBOTISÉE

Poids	No de série	Fabricant	Date d'étalonnage	Date due
1kg - 1mg	DK000A132	Laboratoire Dispersion	01-08-2017	01-08-2018





CERTIFICAT D'ÉTALONNAGE

No.Certificat: CE-EM-147 09/03/20

CLIENT	
Compagnie:	Services Polytests Inc
Adresse:	695 B rue Gaudette St-Jean-sur-Richelieu, Québec, J3B 7S7

SPÉCIFICATION DE CALIBRATION	
Procédure de service:	4IN9101
Précision requise:	+/- 2.0C
Fréquence d'étalonnage: (jours)	365

SPÉCIFICATION DE L'INSTRUMENT			
Type d'instrument:	Enregistreur	Type d'entrée:	Divers
Manufacturier:	Keithley	Type de sortie:	Digital
No. Model:	2700	Type de mesure:	Température
No. Série:	1349443	Gamme:	Divers
Emplacement:	N.A.	No. Machine:	N.A.

SPÉCIFICATION DE L'ÉTALON			
Étalon Utilisé:	Fluke 744	No. du certificat d'étalonnage:	2019007064
No. Série:	8139009	Dernière date d'étalonnage:	18-Oct-19
Certificat fait par:	Alpha Controls	Prochaine date d'étalonnage:	18-Oct-20
Commentaire:			

RÉSULTAT D'ÉTALONNAGE						
Entrée Source	Valeur Donnée	Valeur Actuelle	Erreur de Déviation	Valeur après Étalonnage	Incertitude Élargie	Commentaire
Voir Commentaire						
Conditions Environnementales: Température: 20 °C Humidité: 23 %RH						
Type d'Étalonnage: Data Acquisition system Conforme						
Les 2 slot de l'enregistreur ont été vérifiés.						

Instrumentation St-Laurent Inc. Certifie que l'instrument ci-haut, rencontre ou excède les spécifications établies par le fabricant. Le système qualité de l'entreprise est conforme aux exigences de la norme ISO 17025 et les étalons utilisés pour effectuer l'étalonnage est retraçable au CNRC et/ou au NIST. Le degré d'incertitude est basé sur un niveau de confiance=95%, K=2.

DATE D'ÉTALONNAGE / ÉMISSION DU CERTIFICAT	
Date d'Étalonnage:	9 Mars 2020
Date du prochain Étalonnage:	9 Mars 2021
Date d'émission du certificat:	9 Mars 2020

CONFORMITÉ D'ÉTALONNAGE		
	Avant	Après
Conforme:	X	X
Non Conforme:		

Le Service d'évaluation des laboratoires d'étalonnage (CLAS) du Conseil national de recherches du Canada (CNRC) a évalué et certifié la capacité d'étalonnage du laboratoire et la traçabilité au Système international d'unités (SI) ou à des étalons acceptables selon le CLAS. Le présent certificat d'étalonnage est délivré conformément aux conditions de certification du CLAS et aux conditions d'accréditation du Conseil canadien des normes (CCN). Numéro d'accréditation du CCN: # 669. Le CLAS et le CCN ne garantissent pas l'exactitude des étalonnages individuels effectués par les laboratoires accrédités.

M L L A

Martin Langlais - Technicien

[Signature]
2020 - MARS 30



4407 rue Charlevoix, Montréal-Nord (Québec) H1H 1T6 Canada
 TEL.: (514) 329-3242 / 1 888 774-6665
 FAX : (514) 329-3750
 info.canada@trescal.com

Certificat d'Étalonnage / Certificate of Calibration

CLIENT :
 SERVICES POLYTESTS INC.
 695-B GAUDETTE
 ST-JEAN-SUR-RICHELIEU, QUEBEC

Description: VÉRIFICATEUR D'HUMIDITÉ / MOISTURE METER
Fabricant/ Manufacturer: DELMHORST
Modèle/ Model : MCS-1 REFERENCE STANDARD
No série / Serial no : N/A
Inventaire / Asset # : EM-191

CERTIFICAT No / Certificate No: **283627**

PROCÉDURE / Procedure :
 TRESCAL - DELMHORST_MCS-1 REFERENCE STANDARD

Date étalonnage/ Calibration Performed : **2019-12-23**
aaaa - mm - jj

Echéance/ Due Date : **2020-12-23**

Type de résultat / Results type : **As-Found = As-Left**
 Résultats d'essais / Test results : **Conforme / In Tolerance**

Conditions de mesure / Measurement conditions

TEMPÉRATURE / Temp. : **23°C**
 HUMIDITÉ / Humidity : **36% RH**

Usage restreint/ Restricted use :
 Réparation effectuée / Repair performed :
 Ajustement effectué / Adjustment performed :

ÉTALONS UTILISÉS/ Standards Used:

Identification	Manuf.	Model	Description	Ser. #	Étalonné/ Cal.	Echéance/ Due
PR0661	FLUKE	8508A	REFERENCE MULTIMETER	389272208	2018-07-27	2020-07-18

Les spécifications mentionnées comme limites de tolérances d'essai sont celles établies par le fabricant, sauf indication contraire.

Test tolerance limits are based on manufacturers specifications unless stated otherwise.

NOTES :

Technicien :
Technician

 M. BARRAK

Le système qualité de la société est conforme aux exigences de la norme ISO 17025 et les étalons utilisés pour le processus d'étalonnage sont retraçables au SI par l'entremise du CNRC et/ou du NIST.

Our quality system complies with the requirements of ISO 17025 and the standards used for the calibration are traceable to SI through NRC and/or NIST.

LE DROIT D'AUTEUR DE CE CERTIFICAT APPARTIEN À TRESCAL / PRIMO INSTRUMENT INC. CE CERTIFICAT NE PEUT ÊTRE REPRODUIT AUTREMENT QU'EN ENTIER ET AVEC LE CONSENTEMENT PRÉALABLE ÉCRIT DU GROUPE TRESCAL.
 TRESCAL / PRIMO INSTRUMENT INC. OWN COPYRIGHT OF THIS CERTIFICATE. THE CERTIFICATE MAY NOT BE REPRODUCED OTHER THAN IN FULL EXCEPT WITH THE PRIOR WRITTEN CONSENT OF THE TRESCAL GROUP.



283627
SERVICES POLYTESTS INC.
VÉRIFICATEUR D'HUMIDITÉ / MOISTURE METER
DELMHORST
MCS-1 REFERENCE STANDARD

CLIENT / Customer :
 DESCRIPTION / Description :
 MANUFACTURIER / Manufacturer :
 MODÈLE / Model :

DESCRIPTION Description	LIMITES Limits	LECTURES Readings	LIMITES Limits
DOUGLAS-FIR @ 80°F			Déviation Mohms
Nominal			
12 %	120 MOhms	116.9	3.1
22 %	1.10 MOhms	1.096	0.004



CERTIFICAT D'ÉTALONNAGE

No.Certificat: CE-EM-249 23/03/20

CLIENT	
Compagnie:	Services Polytests Inc
Adresse:	695 B rue Gaudette St-Jean-sur-Richelieu, Québec, J3B 7S7

SPÉCIFICATION DE CALIBRATION	
Procédure de service:	4IN9106
Précision requise:	+/- 0.25 "H2O
Fréquence d'étalonnage: (jours)	365

SPÉCIFICATION DE L'INSTRUMENT			
Type d'instrument:	Indicateur	Type d'entrée:	Pression
Manufacturier:	Dwyer	Type de sortie:	Voltage
No. Model:	MS-321-LCD	Type de mesure:	Pression
No. Série:	N/A	Gamme:	0 à 0.10 "H2O
Emplacement:	Banc de test	No. Machine:	N/A

SPÉCIFICATION DE L'ÉTALON			
Étalon Utilisé:	Setra	No. du certificat d'étalonnage:	2020001510
No. Série:	2784759	Dernière date d'étalonnage:	5-Mar-20
Certificat fait par:	Alpha Controls	Prochaine date d'étalonnage:	5-Mar-21
Commentaire:			

SPÉCIFICATION DE L'ÉTALON			
Étalon Utilisé:	Fluke 744	No. du certificat d'étalonnage:	2019007064
No. Série:	8139009	Dernière date d'étalonnage:	18-Oct-19
Certificat fait par:	Alpha Controls	Prochaine date d'étalonnage:	18-Oct-20
Commentaire:			

RÉSULTAT D'ÉTALONNAGE						
Entrée Source	Valeur Donnée	Valeur Actuelle	Erreur de Déviation	Valeur après Étalonnage	Incertitude Élargie	Commentaire
0.0000 "H2O	0.0000 "H2O	0.0002 "H2O	0.0002 "H2O	0.0002 "H2O	0.25 "H2O	Vérification indicateur
0.0250 "H2O	0.0250 "H2O	0.0241 "H2O	-0.0009 "H2O	0.0241 "H2O	0.25 "H2O	Vérification indicateur
0.0500 "H2O	0.0500 "H2O	0.0530 "H2O	0.0030 "H2O	0.0530 "H2O	0.25 "H2O	Vérification indicateur
0.0750 "H2O	0.0750 "H2O	0.0745 "H2O	-0.0005 "H2O	0.0745 "H2O	0.25 "H2O	Vérification indicateur
0.1000 "H2O	0.1000 "H2O	0.0984 "H2O	-0.0016 "H2O	0.0984 "H2O	0.25 "H2O	Vérification indicateur
0.0000 "H2O	0.0000 V.DC.	0.0006 V.DC.	+0.0006 V.DC.	0.0006 V.DC.	0.5 V.DC.	Vérification sortie analogique
0.0250 "H2O	2.5000 V.DC.	2.4667 V.DC.	-0.0333 V.DC.	2.4667 V.DC.	0.5 V.DC.	Vérification sortie analogique
0.0500 "H2O	5.0000 V.DC.	5.0312 V.DC.	0.0312 V.DC.	5.0312 V.DC.	0.5 V.DC.	Vérification sortie analogique
0.0750 "H2O	7.5000 V.DC.	7.4588 V.DC.	-0.0412 V.DC.	7.4588 V.DC.	0.5 V.DC.	Vérification sortie analogique
0.1000 "H2O	10.0000 V.DC.	9.8590 V.DC.	-0.1410 V.DC.	9.8590 V.DC.	0.5 V.DC.	Vérification sortie analogique
Conditions Environnementales:			Température: 20 °C	Humidité: 31 %RH		
Type d'Étalonnage:						



CERTIFICAT D'ÉTALONNAGE

No.Certificat: CE-EM-249 23/03/20

CLIENT	
Compagnie:	Services Polytests Inc
Adresse:	695 B rue Gaudette St-Jean-sur-Richelieu, Québec, J3B 7S7

SPÉCIFICATION DE CALIBRATION	
Procédure de service:	4IN9106
Précision requise:	+/- 0.25 "H2O
Fréquence d'étalonnage: (jours)	365

SPÉCIFICATION DE L'INSTRUMENT			
Type d'instrument:	Indicateur	Type d'entrée:	Pression
Manufacturier:	Dwyer	Type de sortie:	Voltage
No. Model:	MS-321-LCD	Type de mesure:	Pression
No. Série:	N/A	Gamme:	0 à 0.10 "H2O
Emplacement:	Banc de test	No. Machine:	N/A

Instrumentation St-Laurent Inc. Certifie que l'instrument ci-haut, rencontre ou excède les spécifications établies par le fabricant. Le système qualité de l'entreprise est conforme aux exigences de la norme ISO 17025 et les étalons utilisés pour effectuer l'étalonnage est retraçable au CNRC et/ou au NIST. Le degré d'incertitude est basé sur un niveau de confiance=95%, K=2.

DATE D'ÉTALONNAGE / ÉMISSION DU CERTIFICAT	
Date d'Étalonnage:	23 Mars 2020
Date du prochain Étalonnage:	23 Mars 2021
Date d'émission du certificat:	23 Mars 2020

CONFORMITÉ D'ÉTALONNAGE		
	Avant	Après
Conforme:	X	X
Non Conforme:		

Le Service d'évaluation des laboratoires d'étalonnage (CLAS) du Conseil national de recherches du Canada (CNRC) a évalué et certifié la capacité d'étalonnage du laboratoire et la traçabilité au Système international d'unités (SI) ou à des étalons acceptables selon le CLAS. Le présent certificat d'étalonnage est délivré conformément aux conditions de certification du CLAS et aux conditions d'accréditation du Conseil canadien des normes (CCN). Numéro d'accréditation du CCN: # 669. Le CLAS et le CCN ne garantissent pas l'exactitude des étalonnages individuels effectués par les laboratoires accrédités.

Martin Langlais - Technicien

2020 MARS 30



CERTIFICAT D'ÉTALONNAGE

No.Certificat: CE-EM-136 12/03/20

CLIENT	
Compagnie:	Services Polytests Inc
Adresse:	695 B rue Gaudette St-Jean-sur-Richelieu, Québec, J3B 7S7

SPÉCIFICATION DE CALIBRATION	
Procédure de service:	ISL-004
Précision requise:	+/-2°C +/-3%RH
Fréquence d'étalonnage: (jours)	365

SPÉCIFICATION DE L'INSTRUMENT			
Type d'instrument:	Hygromètre	Type d'entrée:	Temp/%RH
Manufacturier:	Fluke	Type de sortie:	Digitale
No. Model:	971	Type de mesure:	Temp/humidité
No. Série:	10610850	Gamme:	5-95%RH -20a60°C
Emplacement:	N.A.	No. Machine:	N.A.

SPÉCIFICATION DE L'ÉTALON			
Étalon Utilisé:	Vaisala HM141-HMP46	No. du certificat d'étalonnage:	2019006062
No. Série:	V0820123-U4840010	Dernière date d'étalonnage:	12-Sep-19
Certificat fait par:	Alpha Controls	Prochaine date d'étalonnage:	12-Sep-20
Commentaire:			

RÉSULTAT D'ÉTALONNAGE						
Entrée Source	Valeur Donnée	Valeur Actuelle	Erreur de Déviation	Valeur après Étalonnage	Incertitude Élargie	Commentaire
25.0 °C	25.0 °C	25.0 °C	0.0 °C	25.0 °C	1.0 °C	
40.0 °C	40.0 °C	40.2 °C	+0.2 °C	40.2 °C	1.0 °C	
30.0 %RH	30.0 %RH	31.4 %RH	+1.4 %RH	31.4 %RH	-- %RH	
55.0 %RH	55.0 %RH	55.6 %RH	+0.6 %RH	55.6 %RH	-- %RH	
75.0 %RH	75.0 %RH	75.4 %RH	+0.4 %RH	75.4 %RH	-- %RH	
Conditions Environnementales: Température: N.A. Humidité: N.A.						
Type d'Étalonnage:						

Instrumentation St-Laurent Inc. Certifie que l'instrument ci-haut, rencontre ou excède les spécifications établies par le fabriquant. Le système qualité de l'entreprise est conforme aux exigences de la norme ISO 17025 et les étalons utilisés pour effectuer l'étalonnage est retraçable au CNRC et/ou au NIST. Le degré d'incertitude est basé sur un niveau de confiance=95%, K=2.

DATE D'ÉTALONNAGE / ÉMISSION DU CERTIFICAT	
Date d'Étalonnage:	12 Mars 2020
Date du prochain Étalonnage:	12 Mars 2021
Date d'émission du certificat:	12 Mars 2020

CONFORMITÉ D'ÉTALONNAGE		
	Avant	Après
Conforme:	X	X
Non Conforme:		

Le Service d'évaluation des laboratoires d'étalonnage (CLAS) du Conseil national de recherches du Canada (CNRC) a évalué et certifié la capacité d'étalonnage du laboratoire et la traçabilité au Système international d'unités (SI) ou à des étalons acceptables selon le CLAS. Le présent certificat d'étalonnage est délivré conformément aux conditions de certification du CLAS et aux conditions d'accréditation du Conseil canadien des normes (CCN). Numéro d'accréditation du CCN: # 669. Le CLAS et le CCN ne garantissent pas l'exactitude des étalonnages individuels effectués par les laboratoires accrédités.

Martin Langlais - Technicien

[Signature]
2020 - Mars 30

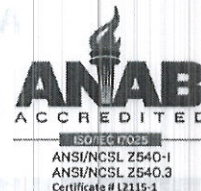
CERTIFICATE OF NIST TRACEABLE CALIBRATION

Calibration Certificate No: 77362

Customer Information

Customer: Services Polytests, Inc.
Address : 695-B Gaudette
St-Jean-sur-richelieu
J3B 7S7

Customer PO #: 100496



Calibration Procedure Information

Procedure ID: GTP AIRVEL

Revision #: 7

Revision Date: 10/17/2018

Calibration Standards Information

<u>Graffel ID</u>	<u>Manufacturer</u>	<u>Model #</u>	<u>Description</u>	<u>CAL Due</u>
10017	Hart Scientific/Burns	1502A/3925	PRT, Temperature	9/8/2019
10086	Furness Controls	FC0332	DP Transmitter	5/9/2020
10100	Graffel	n/a	Temperature	10/29/2019
10171	Furness	FC0332-2W	0 - .4" H2O	5/9/2020
10187	Vaisala	PTB210	Barometric Pressure Gauge	11/22/2020
10157	HOBO	UX100-011	RH/Temp logger	11/6/2019

Sensor Information

Manufacturer: Omega

Description: Anemometer

Method Used: Pitot Tube

Model #: HHF143

Rated Accuracy: ± See Attachment

Accuracy Specified By: Omega

Instrument ID#: EM153

Range: 40 to 7800 fpm

Condition: Functional

Serial #: 1015949

Comments: Calibration Date: 08/19/2019 | Note: Upper Range limited to 5000fpm, 08/16/2018.
Calibration Due: 08/19/2020

The calibrations within the certificate/report are traceable through NIST or another National Metrology Institute to the International System of Units (SI). The reported calibration uncertainty has a confidence level of 95% (k=2). A calibration uncertainty ratio of 4:1 was maintained unless required uncertainty is supported by analysis. Graffel Quality Assurance System complies with applicable requirements of ISO/IEC-17025-2005, ANSI/NCSL Z540-1-1994 and ISO 9001: 2008. All results contained within this certificate relate only to item(s) calibrated. This certificate shall not be reproduced except in full and with the written consent of Graffel. Acceptance Criteria per Simple Acceptance Rule: Measurement Uncertainty is not applied to the measured value when in/out of tolerance statement is made.

Performed By:

Kevin Garcia
Calibration Technician

Date: 8/19/2019

Approved By:

Scott Pickett
Vice President, Lab Services

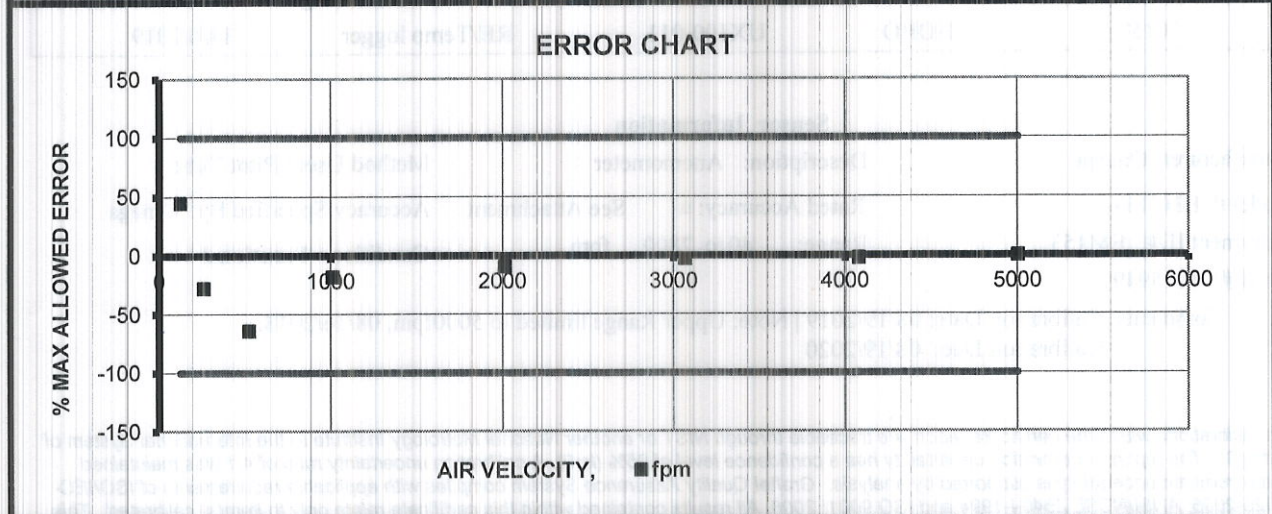
Date: 8/20/2019

AUG 2019

**ATTACHMENT TO CALIBRATION CERTIFICATE 77362
AS FOUND / AS LEFT DATA**

Page 2 of 2

Reading From Standard,	Lower Limit of Meter Reading,	Measured Reading From Meter,	Upper Limit of Meter Reading,	Error,	Measurement Uncertainty (k=2)	CMC (k=2)	STATUS
Actual Air Velocity							
fpm	fpm	fpm	fpm	fpm	fpm	fpm	STATUS
125	123	126	127	1	4	4	Pass
261	257	260	265	-1	5	5	Pass
525	519	521	531	-4	9	9	Pass
1012	1001	1010	1023	-2	15	15	Pass
2015	1994	2013	2036	-2	28	28	Pass
3068	3036	3067	3100	-1	42	42	Pass
4082	4040	4081	4124	-1	55	55	Pass
5004	4953	5004	5055	0	67	67	Pass



Instrument Specifications		
Test Fluid:	Air	
Lower Velocity Range:	40	fpm
Upper Velocity Range:	7800	fpm
Velocity Resolution:	1	
Velocity Accuracy:	+/- (1%rdg + 1dgt)	
Laboratory Ambient Conditions		
Pressure:	14.39	psia
Humidity:	50.00	%RH
Temperature:	80.37	°F

	FLOW - TEMPERATURE - HUMIDITY - PRESSURE - DESIGN - CONSULTING - ENGINEERING NIST Traceable Calibration Data Sheet
	WWW.GRAFTEL.COM 870 Cambridge Drive, Elk Grove Village, IL 60007 Phone: 847-364-2600 Fax: 847-364-2899

Certificat d'Étalonnage / Certificate of Calibration

CLIENT :
 SERVICES POLYTESTS INC.
 695-B GAUDETTE
 ST-JEAN-SUR-RICHELIEU, QUEBEC

Description: CHRONOMÈTRE / STOPWATCH TIMER
Fabricant/ Manufacturer: EXTECH
Modèle/ Model : 365510
No série / Serial no : 131636
Inventaire / Asset # : EM-175

CERTIFICAT No / Certificate No: **283628**

PROCÉDURE / Procedure :
 TRESICAL - EXTECH_365510

Date étalonnage/ Calibration Performed : **2019-12-24**
aaaa - mm - jj

Echéance/ Due Date : **2020-12-24**

Type de résultat / Results type :	As-Found = As-Left
Résultats d'essais / Test results :	Conforme / In Tolerance

Conditions de mesure / Measurement conditions

TEMPÉRATURE / Temp. : 23°C
 HUMIDITÉ / Humidity : 30% RH

Usage restreint/ Restricted use :
 Réparation effectuée / Repair performed :
 Ajustement effectué / Adjustment performed :

ÉTALONS UTILISÉS/ Standards Used:

Identification	Manuf.	Model	Description	Ser. #	Étalonné/ Cal.	Echéance/ Due
PR0313	H-P	53132A	UNIVERSAL COUNTER	3546A03142	2019-07-26	2020-07-10
PR0392	AGILENT	33250A	FUNCTION/ARBITRARY WAVEFORM GENERATOR	MY40008014	2019-06-12	2021-06-12

Les spécifications mentionnées comme limites de tolérances d'essai sont celles établies par le manufacturier, sauf indication contraire.

Test tolerance limits are based on manufacturers specifications unless stated otherwise.

NOTES :



2020
 JAN 15

Technicien :
Technician



Y. MEFTAH

Le système qualité de la société est conforme aux exigences de la norme ISO 17025 et les étalons utilisés pour le processus d'étalonnage sont retraçables au SI par l'entremise du CNRC et/ou du NIST.

Our quality system complies with the requirements of ISO 17025 and the standards used for the calibration are traceable to SI through NRC and/or NIST.

LE DROIT D'AUTEUR DE CE CERTIFICAT APPARTIEN À TRESICAL / PRIMO INSTRUMENT INC. CE CERTIFICAT NE PEUT ÊTRE REPRODUIT AUTREMENT QU'EN ENTIER ET AVEC LE CONSENTEMENT PRÉALABLE ÉCRIT DU GROUPE TRESICAL.
 TRESICAL / PRIMO INSTRUMENT INC. OWN COPYRIGHT OF THIS CERTIFICATE. THE CERTIFICATE MAY NOT BE REPRODUCED OTHER THAN IN FULL EXCEPT WITH THE PRIOR WRITTEN CONSENT OF THE TRESICAL GROUP.

CLIENT / Customer :

DESCRIPTION / Description :

MANUFACTURIER / Manufacturer :

MODÈLE / Model :

283628

SERVICES POLYTESTS INC.

CHRONOMÈTRE / STOPWATCH TIMER

EXTECH

365510

DESCRIPTION Description	LIMITES Limits	LECTURES Readings	LIMITES Limits
----------------------------	-------------------	----------------------	-------------------

Temps écoulé, chronomètre sous test / Elapsed time on test stopwatch

Minutes	Seconds	1/100 sec
26	18	28

Total au compteur / Reference timer: comptes/counts

(Δt) Deviation (1/100sec): 3.00

Deviation Par jour/ Per day (%): 0.0019 %
Deviation Par jour/ Per day (sec): 1.64 sec

- * Tolérances basées sur une déviation maximale de 3 sec/jour
- * Tolerances based on a 3 sec/day maximum deviation

Incertitude/ Uncertainty: ± 37 ms

Lorsque fournies dans le rapport, les incertitudes de mesure sont des incertitudes élargies représentant un niveau de confiance d'approximativement 95% , obtenu en multipliant l'incertitude-type composée par un facteur de couverture de k=2.

When supplied in the report, the measurement uncertainties are expanded uncertainties representing a confidence level of approximately 95% , obtain by multiplying the combined standard uncertainty by a coverage factor of k=2.

Min	Comptes / Counts Chronomètre/timer	Max
	157828	
* Secondes -3.00	Deviation 24hrs 1.64	* Secondes 3.00



CERTIFICAT D'ÉTALONNAGE

No.Certificat: CE-EM-224 12/03/20

CLIENT	
Compagnie:	Services Polytests Inc
Adresse:	695 B rue Gaudette St-Jean-sur-Richelieu, Québec, J3B 7S7

SPÉCIFICATION DE CALIBRATION	
Procédure de service:	ISL-022
Précision requise:	+/- 1/32"
Fréquence d'étalonnage: (jours)	365

SPÉCIFICATION DE L'INSTRUMENT			
Type d'instrument:	Ruban à mesurer	Type d'entrée:	Mesure
Manufacturier:	Stanley	Type de sortie:	N/A
No. Model:	Leverlock 12'	Type de mesure:	Inch
No. Série:	N/A	Gamme:	0 à 12'
Emplacement:	Portable	No. Machine:	N/A

SPÉCIFICATION DE L'ÉTALON			
Étalon Utilisé:	Tape mesure-2	No. du certificat d'étalonnage:	2880456
No. Série:	20068976	Dernière date d'étalonnage:	18-Feb-20
Certificat fait par:	Starrett	Prochaine date d'étalonnage:	18-Feb-22
Commentaire:			

RÉSULTAT D'ÉTALONNAGE						
Entrée Source	Valeur Donnée	Valeur Actuelle	Erreur de Déviation	Valeur après Étalonnage		Commentaire
1.00 "	1.00 "	1.00 "	0.00 "	1.00 "		
36.00 "	36.00 "	36.00 "	0.00 "	36.00 "		
72.00 "	72.00 "	72.00 "	0.00 "	72.00 "		
108.00 "	108.00 "	108.00 "	0.00 "	108.00 "		
132.00 "	132.00 "	132.00 "	0.00 "	132.00 "		
Conditions Environnementales: Température: 22 °C Humidité: 35 %RH						
Commentaire:						

Instrumentation St-Laurent Inc. Certifie que l'instrument ci-haut, rencontre ou excède les spécifications établies par le fabricant. Les étalons utilisés pour effectuer l'étalonnage est retraçable au CNRC et/ou au NIST.

DATE D'ÉTALONNAGE / ÉMISSION DU CERTIFICAT	
Date d'Étalonnage:	12 Mars 2020
Date du prochain Étalonnage:	12 Mars 2021
Date d'émission du certificat:	12 Mars 2020

CONFORMITÉ D'ÉTALONNAGE		
	Avant	Après
Conforme:	X	X
Non Conforme:		

M L L +

Martin Langlais - Technicien

[Signature]
2020 - MARS 30



22 Albiston Way
Auburn, ME 04210
800-292-6218
207-777-6218
Fax 207-777-6215
www.specair.com

Date: 08/14/2017

Certificate of Analysis

Customer:

VAC OXY

Results are reported in mole percent, unless otherwise indicated. Mixes are prepared via partial pressure methods, or gravimetrically, using high load high sensitivity electronic scales. Prior to use, scales are verified for accuracy using applicable NIST traceable weights; analyses are calibrated against reference materials traceable to NIST weights and/or NIST gas reference materials.

Cylinder Serial #: 809277

Cylinder Size: K

CGA Connection: 350

Fill Pressure: 1450 PSI

Analysis: Certified Standard

Lot #: 4722621

Component(s):	Requested Concentration(s):	Actual Concentration(s):
Carbon Monoxide	3%	3.0%
Carbon Dioxide	18%	18.0%
Oxygen	2%	2.0%
Nitrogen	BALANCE	BALANCE

Expiration Date: 08/2020

Approved By:

Tom Bosse

EM-275

5-sept-2017

The information contained herein has been prepared at your request by qualified experts. While we believe that the information is accurate within the limits of the analytical methods employed, and is complete to the extent of the specific analyses performed, we make no warranty or representation as to the suitability of the use of the information for any particular purpose. The information is offered with the understanding that any use of the information is at the sole discretion and risk of the user. In no event shall the liability arising out of the use of the information contained herein exceed the fee established for providing such information.



22 Albiston Way
Auburn, ME 04210
800-292-6218
207-777-6218
Fax 207-777-6215
www.specair.com

Date: 08/14/2017

Certificate of Analysis

Customer:

VAC OXY

Results are reported in mole percent, unless otherwise indicated. Mixes are prepared via partial pressure methods, or gravimetrically, using high load high sensitivity electronic scales. Prior to use, scales are verified for accuracy using applicable NIST traceable weights; analyses are calibrated against reference materials traceable to NIST weights and/or NIST gas reference materials.

Cylinder Serial #: K3886

Cylinder Size: K

CGA Connection: 590

Fill Pressure: 1450 PSI

Analysis: Certified Standard

Lot #: 4722622

Component(s):	Requested Concentration(s):	Actual Concentration(s):
Carbon Monoxide	1%	1.0%
Carbon Dioxide	10%	10.0%
Oxygen	10%	10.0%
Nitrogen	BALANCE	BALANCE

Expiration Date: 08/2020

Approved By:

Tom Bosse

EM. 276
5 sept 2017

The information contained herein has been prepared at your request by qualified experts. While we believe that the information is accurate within the limits of the analytical methods employed, and is complete to the extent of the specific analyses performed, we make no warranty or representation as to the suitability of the use of the information for any particular purpose. The information is offered with the understanding that any use of the information is at the sole discretion and risk of the user. In no event shall the liability arising out of the use of the information contained herein exceed the fee established for providing such information.



Calibration complies with ISO/IEC 17025, ANSI/NC SL Z540-1, and 9001

EM-303
EM-304
Cert. No.: 4199-10569957

Traceable® Certificate of Calibration for Dial Barometer

Manufactured for and distributed by : Control Company 12554 Galveston Rd B230, Webster, TX 77598

Instrument Identification:

Model: 4199, S/N: 192343395 Manufacturer: Control Company

Standards/Equipment:

Table with 4 columns: Description, Serial Number, Due Date, NIST Traceable Reference. Row 1: Digital Barometer, D4540001, 22 Oct 2019, 1000432773

Certificate Information:

Technician: 57 Procedure: CAL-33 Cal Date: 17 Jul 2019 Cal Due Date: 17 Jul 2021
Test Conditions: 64.68%RH 23.57°C 1017mBar

Calibration Data: (New Instrument)

Table with 11 columns: Unit(s), Nominal, As Found, In Tol, Nominal, As Left, In Tol, Min, Max, ±U, TUR. Rows for mb/hPa at 960.02, 985.80, and 1014.51.

This certificate indicates Traceability to standards provided by (NIST) National Institute of Standards and Technology and/or a National Standards Laboratory.

A Test Uncertainty Ratio of at least 4:1 is maintained unless otherwise stated and is calculated using the expanded measurement uncertainty. Uncertainty evaluation includes the instrument under test and is calculated in accordance with the ISO 'Guide to the Expression of Uncertainty in Measurement' (GUM).

Nominal=Standard's Reading; As Left=Instrument's Reading; In Tol=In Tolerance; Min/Max=Acceptance Range; ± U=Expanded Measurement Uncertainty; TUR=Test Uncertainty Ratio; Accuracy=±(Max-Min)/2; Min=As Left Nominal(Rounded) - Tolerance; Max= As Left Nominal(Rounded) + Tolerance;

Nicol Rodriguez, Quality Manager

Aaron Judice, Technical Manager

Note :

Maintaining Accuracy:

In our opinion once calibrated your Dial Barometer should maintain its accuracy. There is no exact way to determine how long calibration will be maintained. Dial Barometer change little, if any at all, but can be affected by aging, temperature, shock, and contamination.

Recalibration:

For factory calibration and re-certification traceable to National Institute of Standards and Technology contact Control Company.

Signature
AUG 2019

CONTROL COMPANY 12554 Galveston RD Suite B230 Webster TX USA 77598
Phone 281 482-1714 Fax 281 482-9448 sales@control3.com www.control3.com

Control Company is an ISO/IEC 17025:2005 Calibration Laboratory Accredited by (A2LA) American Association for Laboratory Accreditation, Certificate No. 1750.01. Control Company is ISO 9001:2008 Quality Certified by DNV GL, Certificate No. CERT-01805-2006-AQ-HOU-ANAB. International Laboratory Accreditation Cooperation (ILAC) - Multilateral Recognition Arrangement (MRA).

APPENDIX 4: Unit pre burn

Temps acquisition minutes	Flue	Room	scale	Right	Back	bottom	Top	Left	Fuel moisture each piece %
	temp	temp							
	°F	°F	lbs	°F	°F	°F	°F	°F	
1	77.9	71.2	12.0	75.3	77.7	77.1	73.9	75.0	20-21-23-24
2	136.6	71.3	11.4	75.9	77.7	77.0	78.7	75.2	
3	233.7	71.3	11.3	79.2	77.8	76.9	98.4	77.2	
4	393.9	71.4	11.1	86.6	78.1	76.9	138.8	82.2	
5	471.3	71.8	10.7	98.2	78.8	76.8	199.7	91.2	
6	517.4	72.3	10.5	111.4	80.0	76.7	256.0	104.0	
7	527.3	72.2	10.3	124.9	82.0	76.6	305.6	118.9	
8	537.4	72.9	10.0	138.9	84.9	76.5	344.8	133.2	
9	611.0	73.2	9.6	154.4	88.8	76.4	400.0	146.5	
10	665.4	73.3	9.3	172.1	93.9	76.3	474.2	160.3	
11	719.1	73.4	8.8	190.7	99.9	76.2	551.7	175.2	
12	753.5	73.5	8.4	210.4	106.8	76.2	630.4	190.1	
13	768.7	74.4	8.0	230.5	115.0	76.4	697.1	205.5	
14	778.2	75.5	7.6	250.5	124.5	76.5	749.0	220.8	
15	781.5	76.8	7.2	269.8	134.9	76.7	792.2	236.6	
16	762.1	78.4	6.8	288.4	145.8	77.1	821.5	252.9	
17	737.0	76.9	6.6	306.8	156.7	77.6	838.7	269.2	
18	715.6	77.5	6.3	324.6	167.0	78.2	842.3	286.2	
19	687.9	78.1	6.0	341.4	176.4	79.0	838.1	303.2	
20	676.6	78.3	5.8	357.4	183.5	80.1	830.4	319.6	
21	676.5	78.1	5.6	372.7	190.6	81.3	826.0	334.8	
22	680.6	78.1	5.3	387.7	198.1	82.8	827.3	349.1	
23	688.3	77.9	5.1	402.4	205.8	84.4	828.4	362.8	
24	682.8	78.9	4.9	415.9	213.3	86.2	829.1	376.1	
25	674.5	78.7	4.6	428.1	221.4	88.3	823.6	388.8	
26	673.4	79.0	4.4	439.6	230.1	90.4	820.2	401.1	
27	671.4	78.6	4.2	450.8	238.7	92.6	817.7	412.8	
28	664.2	79.3	4.0	462.4	246.9	94.8	816.4	423.9	
29	656.0	79.1	3.9	473.5	254.9	97.1	808.9	434.0	
30	644.8	79.2	3.7	484.5	262.9	99.6	798.2	443.6	
31	640.0	79.2	3.5	495.6	270.6	102.0	786.1	452.6	
32	675.6	79.7	29.3	507.6	278.6	104.8	778.1	461.8	
33	629.2	79.1	29.1	517.8	286.4	107.7	761.2	469.7	
34	649.2	80.0	28.9	520.3	292.9	110.5	757.8	475.9	
35	653.5	79.0	28.6	518.9	297.7	113.6	757.4	478.6	
36	652.1	79.6	28.3	516.6	300.9	116.6	756.9	479.1	
37	642.7	79.1	28.1	514.3	302.7	119.5	756.6	478.2	
38	649.3	79.3	27.8	511.7	303.2	122.3	756.8	476.3	
39	655.4	80.2	27.6	509.9	303.0	125.0	752.1	474.5	
40	663.1	79.4	27.3	508.8	302.6	127.4	746.6	473.0	
41	663.9	79.0	27.0	507.7	302.1	129.6	743.3	472.2	
42	667.0	79.3	26.7	506.4	302.0	131.8	740.9	472.0	
43	669.3	79.2	26.5	505.1	302.1	133.9	742.6	472.4	
44	670.5	79.0	26.2	503.9	302.1	136.0	746.7	473.2	
45	669.6	80.2	25.9	502.9	302.3	138.0	751.4	474.5	
46	673.1	79.5	25.7	502.6	302.5	139.8	757.3	476.0	
47	680.3	79.5	25.4	503.2	302.6	141.6	763.7	478.0	
48	685.7	79.6	25.1	505.5	303.0	143.3	769.6	480.0	
49	693.8	79.7	24.8	509.5	303.4	144.9	775.3	482.0	
50	695.0	80.0	24.5	514.3	303.9	146.5	780.7	484.1	
51	697.8	81.2	24.2	519.3	304.4	147.9	784.7	486.1	
52	700.3	80.1	24.0	524.2	304.9	149.3	789.6	488.4	
53	699.1	80.5	23.7	528.8	305.7	150.6	793.7	491.0	
54	699.3	79.9	23.3	533.3	306.5	152.0	799.2	493.7	
55	694.2	80.6	23.1	537.7	307.2	153.3	802.3	496.5	
56	696.7	80.7	22.8	541.8	308.0	154.6	803.7	499.4	
57	695.1	81.4	22.5	545.9	309.0	155.8	805.6	502.5	
58	692.3	80.4	22.2	550.0	309.9	157.0	806.9	505.5	
59	686.7	80.6	22.0	553.8	310.8	158.1	808.4	508.6	
60	687.6	81.0	21.7	557.7	311.8	159.2	809.0	511.7	
61	685.5	81.2	21.4	561.4	312.8	160.4	807.5	514.8	
62	685.9	80.8	21.1	565.2	313.9	161.4	807.1	518.0	
63	689.7	80.6	20.8	568.9	314.9	162.4	805.2	521.0	
64	689.0	80.8	20.5	572.6	316.0	163.5	805.0	524.2	
65	689.5	81.5	20.4	576.2	317.1	164.6	805.6	527.2	
66	693.1	81.3	20.0	579.9	318.2	165.8	806.8	530.3	
67	692.8	81.0	19.7	583.6	319.3	167.0	807.7	533.5	
68	693.4	81.3	19.5	587.3	320.4	168.2	807.6	536.7	
69	696.8	81.7	19.1	591.2	321.7	169.5	807.7	539.9	
70	698.5	81.5	18.9	595.0	322.9	170.7	809.9	543.1	
71	698.5	81.0	18.6	598.8	324.3	172.0	812.0	546.3	
72	704.6	81.7	18.3	602.4	325.8	173.4	814.0	549.5	
73	705.0	81.6	18.1	606.0	327.1	174.9	816.9	552.8	
74	711.8	82.3	17.7	609.6	328.6	176.1	820.8	556.0	
75	710.5	82.2	17.5	613.4	330.0	177.6	825.4	559.4	
76	716.2	81.9	17.2	617.1	331.6	179.2	830.2	562.6	
77	721.3	82.2	16.9	621.0	333.1	180.8	835.0	566.0	
78	723.3	82.5	16.7	625.0	334.6	182.4	838.8	569.4	
79	725.4	82.0	16.4	629.0	336.1	184.1	843.1	572.9	
80	729.5	82.5	16.1	632.8	337.7	185.7	848.7	576.4	
81	729.5	83.3	15.8	636.8	339.4	187.2	851.7	580.0	
82	731.0	82.5	15.4	640.8	341.0	188.8	854.2	583.6	
83	727.7	82.8	15.3	644.5	342.6	190.3	857.2	587.1	
84	731.2	82.4	15.0	648.1	344.4	192.0	858.4	590.6	
85	727.2	83.0	14.8	651.8	346.2	193.8	858.4	594.0	
86	723.9	82.9	14.5	655.4	348.0	195.4	858.2	597.5	
87	722.7	82.5	14.2	659.0	350.0	197.2	857.8	600.9	
88	724.1	83.2	14.0	662.5	352.1	198.9	856.1	604.3	
89	722.4	82.9	13.7	665.8	354.1	200.6	854.7	607.7	
90	721.0	83.3	13.4	669.0	356.2	202.3	853.2	611.0	

Aging PI-20221

91	726.2	83.4	13.2	672.0	358.3	204.0	852.1	614.2
92	725.6	82.9	13.0	675.1	360.5	205.8	852.0	617.4
93	720.6	83.8	12.7	678.2	362.8	207.5	851.6	620.5
94	717.7	83.5	12.5	681.3	365.1	209.3	850.4	623.6
95	716.4	83.1	12.3	684.6	367.5	211.1	848.6	626.7
96	709.8	82.7	12.0	687.8	369.9	213.0	846.9	629.8
97	705.5	82.7	11.8	691.1	372.4	214.8	845.4	632.9
98	710.0	84.0	11.6	694.4	374.8	216.7	842.8	636.0
99	710.0	83.3	11.4	697.6	377.4	218.5	840.5	639.1
100	705.1	82.2	11.2	700.7	380.1	220.5	837.8	642.2
101	690.6	84.2	11.0	703.4	382.8	222.5	832.7	645.4
102	675.8	82.5	10.8	705.6	385.4	224.5	823.6	648.6
103	668.9	82.5	10.6	707.5	388.2	226.5	813.8	651.6
104	661.9	83.0	10.5	709.0	390.9	228.6	803.2	654.1
105	659.4	81.8	10.3	709.8	393.6	230.6	794.6	656.3
106	655.7	82.6	10.1	710.2	396.4	232.5	786.1	658.2
107	652.2	82.3	10.0	710.7	399.0	234.4	777.7	659.9
108	651.7	82.2	9.8	711.5	401.7	236.4	768.9	661.1
109	647.3	82.3	9.7	712.6	404.2	238.4	760.4	662.3
110	646.2	81.8	9.5	713.5	406.8	240.1	756.9	663.2
111	639.0	81.8	9.3	714.2	409.5	242.1	754.7	664.3
112	620.9	82.5	9.2	714.9	412.7	244.2	748.0	665.4
113	608.7	81.5	9.1	715.2	415.5	246.3	740.6	666.5
114	595.6	82.7	9.0	714.6	418.8	248.2	729.1	667.1
115	583.4	82.0	8.9	713.3	422.1	250.1	718.0	667.1
116	574.9	81.2	8.8	711.4	425.2	251.8	705.6	666.1
117	566.2	82.0	8.7	709.1	428.5	253.6	692.1	664.9
118	557.1	81.4	8.6	706.4	431.7	255.3	679.6	663.2
119	550.7	81.2	8.5	703.6	434.8	257.0	669.5	661.3
120	547.8	81.5	8.4	700.3	437.7	258.5	659.2	659.3
121	543.9	81.0	8.3	696.9	440.6	259.9	649.1	657.2
122	541.3	81.5	8.2	693.8	443.2	261.2	638.9	655.3
123	540.6	80.9	8.1	691.0	445.8	262.5	631.6	653.1
124	537.8	80.4	7.9	688.4	448.2	263.9	625.8	651.2
125	536.9	81.2	7.9	686.2	450.5	265.1	618.8	649.4
126	537.7	81.5	7.7	684.4	452.9	266.4	615.6	647.8
127	534.4	81.2	7.7	682.7	454.8	267.6	609.8	646.4
128	529.7	80.6	7.6	681.1	456.7	268.6	604.9	644.9
129	523.4	81.3	7.5	679.3	458.5	269.7	600.5	643.3
130	520.3	81.3	7.5	677.5	459.9	270.7	596.2	641.6
131	519.5	81.9	7.3	675.7	461.2	271.9	592.1	639.5
132	518.3	80.9	7.3	674.1	462.1	273.0	588.7	637.3
133	519.1	80.5	7.2	672.6	462.7	273.8	585.3	634.9
134	515.5	83.0	7.1	671.7	463.3	274.7	581.7	632.5
135	513.2	80.2	7.1	670.8	463.6	275.7	577.4	630.0
136	510.8	79.9	7.0	670.0	463.8	276.6	573.4	627.5
137	510.2	80.7	6.9	669.3	463.9	277.7	569.3	625.1
138	507.9	80.6	6.8	668.5	464.0	278.7	565.5	622.9
139	503.3	80.7	6.7	667.7	464.1	279.7	562.5	620.5
140	500.0	80.9	6.7	667.0	463.9	280.8	558.9	618.3
141	495.0	80.8	6.6	666.1	463.6	281.9	554.4	616.1
142	492.4	80.6	6.5	664.9	463.3	282.9	550.2	613.9
143	488.1	80.2	6.4	663.2	462.9	284.0	546.6	611.6
144	482.4	80.3	6.4	661.5	462.2	285.0	540.6	609.5
145	476.6	80.2	6.3	659.2	461.7	285.8	535.8	607.4
146	470.6	80.6	6.2	656.2	460.8	286.7	531.3	605.0
147	467.0	80.3	6.3	652.7	460.0	287.5	526.0	602.7
148	463.0	80.9	6.2	649.0	458.7	288.3	521.0	600.0
149	458.8	79.5	6.2	645.4	457.4	289.0	517.5	597.4
150	455.5	80.3	6.1	641.7	455.7	289.7	512.5	594.5
151	454.0	80.7	6.0	638.1	454.0	290.4	507.9	591.6
152	453.7	80.7	6.0	634.2	452.3	290.9	503.3	588.6
153	453.1	79.7	5.9	630.2	451.2	291.5	500.2	585.6
154	453.0	79.6	5.9	626.2	450.4	291.9	497.8	582.7
155	451.7	80.8	5.9	622.5	449.6	292.5	494.4	579.9
156	449.8	79.1	5.9	618.8	448.5	293.0	492.4	577.2
157	449.5	78.8	5.8	615.4	447.4	293.5	488.8	574.6
158	448.2	79.7	5.7	612.2	446.5	293.9	487.0	572.1
159	447.8	79.4	5.7	609.1	445.8	294.4	484.0	569.8
160	445.4	79.0	5.6	606.1	445.1	294.7	481.2	567.6
161	444.0	79.7	5.6	602.9	444.6	295.2	477.9	565.6
162	441.6	78.9	5.5	600.0	444.1	295.6	475.7	563.6
163	440.4	78.9	5.5	597.1	443.3	295.9	473.1	561.8
164	439.0	79.3	5.5	594.5	442.6	296.3	469.6	559.9
165	437.7	79.2	5.4	592.1	442.2	296.6	467.5	558.1
166	437.8	79.9	5.4	589.9	441.8	297.0	465.1	556.4
167	436.1	79.7	5.3	588.0	441.4	297.3	462.8	554.7
168	434.2	79.1	5.3	585.9	440.9	297.7	461.0	553.1
169	428.8	79.2	5.2	583.5	440.5	298.0	458.3	551.6
170	419.9	79.6	5.2	580.5	440.2	298.3	455.4	550.0
171	413.8	79.0	5.2	576.9	439.7	298.5	451.3	548.3
172	408.8	78.6	5.1	573.0	438.8	298.8	446.9	546.1
173	404.5	79.5	5.1	568.7	437.9	298.9	442.9	543.6
174	402.1	78.8	5.1	564.6	437.0	299.0	438.8	540.9
175	399.2	79.1	5.1	560.6	436.0	299.3	434.8	538.0
176	396.8	79.7	5.0	556.9	434.8	299.5	430.1	535.1
177	394.5	79.2	5.0	553.2	433.5	299.7	427.2	532.3
178	391.6	79.1	5.0	549.5	432.2	299.9	423.8	529.5
179	390.0	78.9	5.0	546.1	430.8	300.0	419.9	526.6
180	387.3	79.8	4.9	542.7	429.5	300.2	416.5	523.8
181	385.3	79.6	4.9	539.4	428.3	300.3	412.6	521.2
182	383.6	79.9	4.8	536.4	426.8	300.4	409.7	518.5
183	381.4	79.1	4.8	533.3	425.4	300.5	406.2	515.9

Aging PI-20221

184	379,1	79,4	4,8	530,5	424,0	300,6	403,3	513,3
185	377,8	79,2	4,8	527,8	422,8	300,7	400,4	510,6
186	375,9	79,4	4,8	525,1	421,4	300,8	398,1	508,2
187	373,8	79,4	4,7	522,6	420,3	301,0	395,9	505,8
188	372,7	79,1	4,7	520,2	418,9	301,1	393,9	503,5
189	371,3	79,4	4,7	517,9	417,9	301,2	391,4	501,2
190	370,0	79,4	4,6	515,9	416,6	301,2	389,4	499,0
191	369,1	79,6	4,6	514,0	415,5	301,3	387,8	496,9
192	368,0	79,1	4,6	512,1	414,4	301,4	386,0	494,9
193	368,4	78,9	4,6	510,2	413,5	301,5	384,4	493,0
194	368,9	79,7	4,6	508,6	412,6	301,7	383,7	491,2
195	370,3	79,4	4,5	507,2	411,8	301,8	383,2	489,7
196	369,8	79,8	4,5	506,0	411,2	301,9	383,0	488,2
197	370,1	79,5	4,5	504,6	410,9	302,0	381,8	486,9
198	369,4	79,0	4,4	503,6	410,4	302,1	381,7	485,6
199	369,6	79,5	4,4	502,5	409,9	302,2	381,5	484,5
200	368,7	79,6	4,4	501,5	409,8	302,3	380,5	483,4
201	367,6	79,2	4,4	500,5	409,6	302,4	380,1	482,3
202	366,3	78,9	4,4	499,4	409,7	302,4	379,5	481,3
203	365,5	79,3	4,3	498,3	409,5	302,5	379,0	480,4
204	364,4	79,2	4,3	496,9	409,7	302,6	377,6	479,5
205	364,4	78,8	4,3	495,7	409,7	302,6	377,4	478,7
206	363,3	79,6	4,2	494,5	409,5	302,8	376,4	477,8
207	362,0	79,5	4,2	493,2	409,3	302,8	375,2	477,1
208	360,7	79,2	4,2	492,1	409,4	303,0	373,9	476,3
209	360,0	79,1	4,1	490,9	409,4	303,1	373,5	475,5
210	360,0	79,4	4,1	489,7	409,4	303,2	372,7	474,8
211	359,5	79,0	4,1	488,6	409,6	303,3	371,3	474,0
212	359,0	79,4	4,1	487,5	409,4	303,3	370,9	473,4
213	358,2	79,1	4,1	486,6	409,2	303,4	370,5	472,8
214	357,8	79,2	4,1	485,8	409,2	303,5	370,2	472,1
215	318,7	79,6	31,5	485,0	408,5	303,8	363,4	472,6
216	342,0	79,2	31,0	480,4	409,2	304,5	359,7	471,5
217	389,3	79,1	30,9	473,8	408,8	305,1	366,7	468,7
218	460,0	80,2	30,7	466,5	407,2	305,7	394,6	464,7
219	538,2	79,8	30,4	459,0	404,6	306,4	450,9	460,2
220	610,0	80,0	30,1	451,7	401,3	306,8	524,4	455,9
221	597,5	80,3	29,9	445,3	397,6	307,2	585,9	452,5
222	596,5	80,4	29,7	439,9	394,2	307,6	631,1	449,9
223	621,6	81,1	29,4	435,4	390,6	307,8	672,2	447,8
224	638,3	81,3	29,2	432,3	386,9	308,0	710,8	446,4
225	652,1	82,4	28,9	430,5	383,1	308,1	744,0	445,8
226	654,8	82,1	28,6	429,4	379,4	308,3	767,5	445,8
227	664,7	82,4	28,3	429,2	375,7	308,2	787,3	446,4
228	676,6	83,3	28,0	429,7	372,3	308,2	805,3	447,6
229	681,3	82,7	27,7	430,9	369,2	308,1	821,2	449,1
230	633,3	83,2	27,4	432,5	366,3	307,8	828,0	451,0
231	584,8	82,9	27,2	434,6	363,6	307,7	822,1	453,1
232	554,3	82,9	27,0	436,8	361,3	307,4	807,9	455,2
233	530,7	82,4	26,8	438,8	359,2	307,2	793,9	457,2
234	519,5	82,9	26,6	440,8	357,3	306,7	778,4	459,0
235	519,9	82,5	26,4	442,7	355,4	306,3	769,4	461,0
236	523,0	82,3	26,1	444,7	353,6	305,9	765,6	463,0
237	523,9	82,6	25,9	446,7	352,0	305,4	763,2	464,7
238	523,9	82,5	25,8	448,6	350,4	304,9	763,5	466,5
239	525,8	81,6	25,6	450,4	349,0	304,4	762,9	468,0
240	526,6	81,8	25,3	452,4	347,7	303,8	764,2	469,6
241	529,4	81,6	25,1	454,6	346,5	303,3	765,1	471,2
242	532,5	81,9	24,9	456,8	345,4	302,6	766,7	472,9
243	532,7	81,9	24,7	459,1	344,6	301,7	768,9	474,5
244	533,6	81,1	24,5	461,1	343,9	301,1	770,6	476,3
245	534,3	81,6	24,2	463,0	343,5	300,5	772,1	478,2
246	534,0	82,0	24,0	464,8	343,0	299,7	774,0	480,1
247	533,2	81,3	23,9	466,6	342,6	298,9	774,5	482,1
248	531,3	81,4	23,6	468,5	342,5	298,2	773,6	484,2
249	530,8	82,4	23,4	470,3	342,4	297,4	772,4	486,2
250	532,2	81,5	23,2	472,2	342,2	296,6	771,4	488,1
251	532,4	83,0	23,0	474,1	342,3	295,7	770,5	490,0
252	532,5	81,8	22,8	476,0	342,4	294,9	769,1	491,8
253	532,2	81,1	22,6	477,8	342,5	294,0	769,3	493,7
254	531,8	82,0	22,3	479,6	342,7	293,1	769,6	495,5
255	532,5	81,8	22,1	481,3	342,9	292,3	767,8	497,2
256	532,8	82,0	21,9	483,4	343,3	291,4	768,7	499,1
257	534,0	82,0	21,7	485,4	343,8	290,6	767,9	500,7
258	532,7	82,1	21,5	487,5	344,3	289,8	768,0	502,5
259	535,1	82,2	21,3	489,6	344,8	288,9	766,8	504,2
260	537,3	81,3	21,1	491,9	345,5	288,1	767,7	505,9
261	538,1	81,9	20,9	494,2	346,1	287,1	769,2	507,6
262	537,5	81,9	20,7	496,7	346,8	286,3	769,1	509,3
263	538,2	80,9	20,5	499,1	347,1	285,3	769,9	510,8
264	539,9	81,3	20,4	501,6	347,5	284,4	771,0	512,5
265	540,4	82,1	20,0	504,0	347,9	283,4	772,8	514,1
266	540,2	81,4	19,9	506,5	348,4	282,5	774,3	515,7
267	539,9	81,2	19,6	508,9	348,9	281,8	775,0	517,3
268	540,1	81,8	19,5	511,3	349,6	281,0	775,6	519,0
269	538,6	81,2	19,2	513,7	350,3	280,2	775,2	520,6
270	537,9	82,1	19,0	516,1	351,1	279,4	773,8	522,4
271	536,7	82,3	18,9	518,6	351,9	278,5	771,8	523,9
272	535,6	81,8	18,6	521,0	352,7	277,6	769,0	525,6
273	533,1	82,6	18,4	523,2	353,6	276,9	765,8	527,2
274	532,6	82,9	18,2	525,4	354,5	276,2	763,4	528,8
275	532,1	81,9	18,1	527,6	355,4	275,5	760,8	530,4
276	531,9	81,8	17,9	529,8	356,3	274,9	759,4	532,1

20-25-21-21-19-18

277	530,9	81,9	17,6	531,8	357,3	274,2	759,0	533,6
278	530,1	82,0	17,4	533,9	358,2	273,6	756,9	535,1
279	529,7	82,6	17,3	535,8	359,3	273,0	756,4	536,5
280	530,5	82,3	17,0	537,8	360,3	272,3	756,3	538,0
281	529,7	82,4	16,8	539,7	361,3	271,7	756,4	539,2
282	531,1	82,6	16,8	541,7	362,3	271,0	756,5	540,8
283	532,0	82,7	16,5	543,5	363,4	270,4	758,5	542,1
284	530,8	83,1	16,4	545,1	364,5	269,7	761,7	543,3
285	527,5	84,1	16,0	546,6	365,6	269,2	762,3	544,5
286	522,9	83,7	16,0	548,1	366,7	268,7	760,5	545,7
287	516,1	83,5	15,8	549,6	367,7	268,2	754,4	546,9
288	511,0	82,6	15,6	551,2	368,8	267,6	749,2	548,0
289	506,4	83,1	15,4	552,7	369,9	267,1	743,5	549,2
290	503,5	83,3	15,3	554,3	370,8	266,5	738,0	550,3
291	501,7	83,3	15,1	555,8	371,8	265,9	733,4	551,1
292	501,9	83,8	15,0	557,2	372,8	265,5	730,1	552,1
293	501,9	83,3	14,7	558,7	373,8	264,9	728,2	553,0
294	500,5	83,0	14,6	560,1	374,8	264,4	726,4	553,8
295	501,6	83,1	14,5	561,5	375,7	263,9	725,0	554,6
296	500,3	83,7	14,3	563,0	376,8	263,5	724,2	555,5
297	501,3	84,1	14,1	564,4	377,7	263,2	723,2	556,4
298	499,3	82,9	13,9	565,6	378,8	262,8	721,8	557,1
299	497,9	82,7	13,7	567,0	379,9	262,4	721,2	557,8
300	496,6	83,4	13,7	568,3	380,9	261,9	719,4	558,5
301	494,8	82,3	13,5	569,5	382,0	261,5	717,2	559,3
302	492,1	83,2	13,4	570,7	383,1	261,2	714,6	560,0
303	490,0	82,9	13,2	572,0	384,3	260,8	711,6	560,9
304	487,6	84,1	13,0	572,9	385,6	260,5	708,2	561,5
305	487,4	83,4	12,9	573,8	386,7	260,1	705,5	562,0
306	489,6	83,3	12,8	574,7	388,1	259,8	705,2	562,5
307	489,9	85,5	12,6	575,4	389,3	259,5	706,2	563,0
308	490,3	84,3	12,5	576,3	390,4	259,2	707,9	563,5
309	490,9	84,7	12,3	577,1	391,5	258,9	709,4	564,0
310	491,4	85,6	12,2	577,9	392,6	258,5	709,7	564,6
311	492,3	83,1	12,0	578,9	393,7	258,3	711,0	565,1
312	491,2	83,5	11,9	579,9	394,9	258,0	711,4	565,5
313	491,8	83,8	11,7	580,9	396,1	257,8	711,9	565,9
314	491,2	84,1	11,6	582,1	397,1	257,6	713,2	566,6
315	489,9	84,3	11,4	583,3	398,3	257,4	713,9	567,0
316	488,6	82,7	11,2	584,5	399,4	257,1	714,7	567,6
317	488,9	83,4	11,1	585,8	400,6	257,0	715,5	568,2
318	486,5	83,9	11,0	587,1	401,7	256,9	715,7	568,8
319	486,6	83,5	10,8	588,4	403,0	256,8	715,0	569,4
320	485,2	84,9	10,7	589,7	404,1	256,7	714,9	570,1
321	479,2	83,9	10,6	591,1	405,4	256,5	712,8	570,7
322	473,0	85,1	10,4	592,4	406,6	256,4	708,9	571,1
323	468,2	84,3	10,3	593,9	407,8	256,0	703,9	571,6
324	464,8	83,4	10,2	595,4	409,0	256,0	698,8	572,0
325	461,5	83,4	10,1	596,7	410,2	256,0	694,3	572,3
326	459,9	83,2	9,9	598,1	411,4	256,0	689,7	572,5
327	458,6	83,8	9,8	599,4	412,6	256,0	685,6	572,8
328	456,0	83,7	9,7	600,5	413,7	256,0	681,1	572,7
329	454,8	83,9	9,6	601,6	414,7	256,1	677,8	573,0
330	453,7	82,6	9,5	602,6	415,8	256,1	672,8	573,1
331	451,4	83,7	9,3	603,9	416,9	256,1	669,6	573,2
332	450,0	82,8	9,2	605,2	417,8	256,2	667,0	573,4
333	451,3	82,5	9,1	606,4	418,9	256,2	665,2	573,5
334	450,9	83,4	9,0	607,9	420,0	256,1	664,1	573,7
335	450,3	83,9	8,9	609,6	421,0	256,1	664,7	573,9
336	449,8	84,4	8,8	611,2	422,0	256,2	664,8	574,1
337	449,8	84,6	8,7	612,6	423,0	256,3	665,7	574,4
338	450,0	83,1	8,5	613,9	424,0	256,4	667,0	574,7
339	450,3	82,9	8,4	615,1	424,9	256,6	668,1	575,0
340	452,2	84,7	8,3	616,1	425,9	256,7	670,9	575,3
341	456,0	83,2	8,2	617,2	426,8	256,9	674,6	575,5
342	461,7	83,2	8,1	617,8	427,6	257,1	679,8	575,9
343	462,1	83,9	8,0	618,3	428,3	257,3	685,7	576,3
344	459,7	84,3	7,8	618,6	429,2	257,5	690,9	576,6
345	455,4	83,7	7,7	619,1	430,1	257,7	692,1	577,0
346	451,0	84,1	7,6	619,5	431,0	257,9	690,3	577,4
347	448,4	83,3	7,5	619,4	432,0	258,1	687,0	577,8
348	445,9	83,8	7,5	619,2	433,1	258,3	684,0	578,2
349	444,3	84,7	7,4	618,8	434,3	258,4	680,6	578,4
350	440,6	83,3	7,2	618,4	435,4	258,6	676,9	578,7
351	438,3	83,2	7,2	618,1	436,4	258,9	673,6	579,0
352	434,4	83,0	7,1	617,7	437,4	259,1	668,7	579,1
353	430,2	83,3	7,0	617,4	438,4	259,4	662,6	579,2
354	421,7	84,6	6,9	617,0	439,4	259,6	652,9	579,2
355	413,6	84,6	6,9	616,9	440,2	259,9	640,7	578,9
356	405,0	83,9	6,8	616,7	440,9	260,1	627,1	578,3
357	397,5	82,4	6,8	616,3	441,7	260,4	614,8	577,1
358	392,1	82,5	6,7	615,6	442,3	260,7	601,7	575,7
359	386,7	83,1	6,6	614,5	442,9	260,9	589,3	574,0
360	381,6	82,9	6,6	613,2	443,4	261,1	577,1	572,1
361	375,9	84,0	6,6	611,5	443,8	261,4	565,5	570,0
362	370,3	83,1	6,6	609,6	444,2	261,5	555,2	567,7
363	365,8	83,6	6,5	607,3	444,3	261,6	545,3	565,2
364	359,7	83,2	6,5	604,7	444,2	261,8	535,0	562,5
365	354,8	82,4	6,5	601,4	443,6	261,8	524,8	559,5
366	349,9	82,9	6,4	597,5	442,8	262,0	516,4	556,4
367	345,5	83,1	6,4	593,1	441,7	262,2	507,9	553,3
368	341,7	82,3	6,4	588,5	440,5	262,3	498,7	549,8
369	337,7	81,6	6,3	583,7	439,0	262,5	491,0	546,3

370	333,9	81,7	6,3	579,1	437,4	262,7	483,0	542,9
371	330,6	81,6	6,3	574,7	435,8	262,8	475,5	539,4
372	328,2	81,8	6,3	570,3	434,1	263,0	468,4	536,1
373	325,2	81,2	6,2	566,3	432,4	263,2	462,2	532,8
374	322,9	81,6	6,2	562,3	430,6	263,4	456,2	529,6
375	320,0	81,1	6,2	558,4	428,8	263,5	450,5	526,3
376	317,0	80,7	6,2	554,8	427,1	263,7	444,6	523,3
377	314,7	81,2	6,1	551,4	425,2	263,9	439,7	520,3
378	312,3	81,2	6,1	548,1	423,4	264,1	434,9	517,4
379	310,0	82,1	6,1	545,1	421,8	264,2	429,6	514,6
380	308,7	81,8	6,0	542,1	420,0	264,4	425,4	512,0
381	306,6	81,5	6,1	539,3	418,3	264,6	421,1	509,4
382	304,9	81,3	6,0	536,7	416,8	264,7	417,3	506,9
383	302,8	81,5	5,9	534,2	415,3	264,9	413,6	504,6
384	301,4	80,9	5,9	531,8	413,8	265,0	409,9	502,3
385	299,6	81,3	5,9	529,5	412,4	265,2	406,4	499,9
386	297,5	81,8	5,9	527,4	411,0	265,4	403,1	497,9
387	295,7	80,9	5,9	525,4	409,7	265,5	400,3	495,7
388	294,1	80,9	5,9	523,5	408,4	265,6	397,7	493,7
389	292,9	81,3	5,8	521,9	407,1	265,7	395,4	491,7
390	291,2	81,2	5,8	520,4	406,0	265,8	393,0	489,9
391	289,9	80,9	5,8	519,0	404,9	266,0	391,0	488,1
392	289,4	80,9	5,8	517,6	403,8	266,2	389,3	486,1
393	287,5	81,1	5,7	516,3	402,7	266,4	387,5	484,3
394	286,8	81,5	5,7	515,1	401,6	266,6	385,5	482,5
395	285,3	81,6	5,7	514,0	400,7	266,7	383,6	480,7
396	283,9	81,5	5,6	513,0	399,8	266,9	381,8	479,3
397	282,9	81,8	5,6	512,2	399,0	267,1	379,8	477,7
398	282,1	81,3	5,6	511,3	398,3	267,2	378,6	476,3
399	281,1	81,1	5,6	510,5	397,5	267,4	376,9	474,8
400	279,9	81,4	5,5	509,7	396,8	267,6	375,3	473,5
401	279,5	81,5	5,5	509,0	396,2	267,8	374,2	472,2
402	278,6	81,1	5,5	508,3	395,5	268,1	372,6	470,8
403	278,1	81,0	5,5	507,7	394,9	268,3	371,3	469,6
404	277,3	81,3	5,5	507,1	394,3	268,5	370,3	468,4
405	276,8	81,4	5,4	506,5	393,7	268,7	369,4	467,3
406	276,0	81,4	5,4	505,8	393,1	269,0	368,8	466,1
407	275,8	81,2	5,4	505,3	392,7	269,2	367,7	465,0
408	274,8	81,5	5,4	504,7	392,3	269,5	367,1	464,0
409	274,2	81,4	5,3	504,1	391,8	269,7	366,5	463,1
410	274,0	81,1	5,3	503,7	391,4	270,0	366,1	462,1
411	273,9	81,1	5,3	503,0	391,0	270,2	365,2	461,3
412	273,3	80,8	5,3	502,5	390,7	270,4	364,4	460,5
413	272,5	81,4	5,3	502,0	390,3	270,6	363,5	459,6
414	272,1	80,8	5,2	501,6	390,0	270,8	363,1	459,0
415	271,8	80,8	5,2	500,9	389,7	270,9	362,3	458,1
416	271,8	80,4	5,2	500,3	389,4	271,3	362,1	457,5
417	271,2	81,2	5,2	499,8	389,3	271,6	361,7	456,8
418	270,9	80,9	5,1	499,4	388,9	271,9	361,1	456,0
419	270,1	80,9	5,1	499,0	388,7	272,2	360,6	455,2
420	269,8	80,6	5,1	498,7	388,5	272,4	359,9	454,4
421	270,0	80,6	5,1	498,4	388,2	272,7	359,7	453,8
422	269,7	80,7	5,0	498,1	388,0	273,0	359,3	453,2
423	269,6	81,3	5,0	497,7	387,8	273,2	359,0	452,7
424	269,6	81,1	5,0	497,5	387,7	273,5	358,4	452,3
425	269,7	81,2	5,0	497,3	387,5	273,8	358,3	451,7
426	269,1	81,1	4,9	497,1	387,4	274,0	357,8	451,2
427	268,4	80,8	5,0	496,9	387,3	274,4	357,0	450,7
428	268,6	80,8	4,9	496,8	387,2	274,7	356,9	450,2
429	268,1	80,8	4,9	496,7	387,2	274,9	356,2	449,8
430	267,8	81,0	4,8	496,5	387,2	275,2	356,2	449,2
431	267,9	80,3	4,9	496,5	387,2	275,5	355,9	449,0
432	267,7	80,9	4,9	496,3	387,2	275,7	355,6	448,7
433	267,7	80,7	4,8	496,3	387,2	276,1	355,6	448,1
434	267,2	80,5	4,8	496,3	387,1	276,4	355,5	447,8
435	266,4	80,6	4,7	496,3	387,1	276,6	355,3	447,5
436	266,5	80,8	4,7	496,4	387,2	276,9	355,0	447,2
437	265,8	80,5	4,7	496,4	387,2	277,2	355,1	446,9
438	265,5	80,4	4,7	496,4	387,3	277,5	355,1	446,6
439	265,3	80,8	4,6	496,5	387,4	277,7	354,7	446,5
440	265,7	80,8	4,6	496,6	387,5	278,0	354,9	446,2
441	265,6	80,6	4,6	496,6	387,6	278,3	354,8	445,9
442	265,6	80,8	4,6	496,7	387,7	278,5	354,5	445,6
443	265,0	80,5	4,6	496,8	387,9	278,8	354,2	445,4
444	265,1	80,6	4,5	496,9	388,0	279,1	354,1	445,2
445	264,7	80,4	4,5	496,9	388,2	279,2	354,2	445,0
446	264,6	80,9	4,5	497,2	388,3	279,4	353,8	444,8
447	264,5	80,6	4,5	497,5	388,6	279,6	354,1	444,7
448	264,7	80,9	4,4	497,7	388,8	279,7	353,7	444,6
449	264,6	80,9	4,4	497,8	389,1	279,9	354,0	444,5
450	265,0	81,1	4,4	497,9	389,3	280,0	353,7	444,2
451	264,1	80,9	4,4	497,9	389,7	280,1	353,1	444,0
452	264,0	80,5	4,4	498,0	390,0	280,2	353,2	443,9
453	263,8	80,9	4,3	498,1	390,2	280,5	353,3	443,5
454	263,2	81,0	4,3	498,1	390,6	280,7	353,1	443,4
455	262,7	80,5	4,3	498,1	390,9	280,8	352,9	443,0
456	262,5	80,9	4,3	498,1	391,1	281,0	353,1	442,8
457	262,8	80,8	4,3	498,2	391,5	281,2	352,9	442,6
458	262,7	80,5	4,2	498,3	391,8	281,3	352,8	442,4
459	261,9	80,5	4,2	498,5	392,2	281,5	352,7	442,1
460	261,9	80,4	4,2	498,4	392,5	281,8	352,2	441,8
461	261,5	80,5	4,2	498,6	392,9	282,0	351,9	441,5
462	260,9	81,0	4,1	498,7	393,2	282,1	351,9	441,3

463	261,3	80,3	4,1	498,8	393,6	282,4	351,4	440,9
464	261,1	80,6	4,1	498,9	393,9	282,5	351,1	440,6
465	260,6	80,4	4,1	498,8	394,1	282,6	350,5	440,4
466	260,3	80,4	4,1	498,8	394,3	282,7	350,4	440,0
467	260,2	80,7	4,0	498,8	394,6	282,8	349,6	439,5
468	260,7	80,9	4,0	498,8	394,8	282,9	349,2	439,3
469	260,2	80,6	4,0	498,8	394,9	283,0	348,9	438,8
470	260,4	80,7	4,0	498,7	394,9	283,2	348,3	438,4
471	260,3	80,9	3,9	498,6	395,0	283,2	348,1	438,0
472	259,7	80,6	3,9	498,5	395,0	283,3	347,5	437,6
473	260,0	80,3	3,9	498,5	395,0	283,4	347,3	437,2
474	259,5	80,6	3,9	498,5	395,0	283,5	346,4	436,9
475	259,5	81,6	3,9	498,6	394,9	283,6	345,8	436,5
476	259,1	80,5	3,8	498,6	394,9	283,5	345,6	436,1
477	258,8	80,6	3,8	498,4	394,8	283,5	344,9	435,9
478	258,6	80,3	3,8	498,3	394,7	283,6	344,4	435,5
479	258,4	80,6	3,8	498,1	394,7	283,6	344,0	435,1
480	258,5	80,5	3,8	498,0	394,7	283,6	343,6	434,9
481	257,9	80,1	3,8	497,9	394,6	283,7	343,0	434,5
482	258,0	80,2	3,8	497,7	394,6	283,8	342,6	434,1
483	257,7	80,4	3,7	497,9	394,5	283,9	342,5	433,7
484	257,4	80,5	3,7	498,1	394,5	283,9	341,8	433,4
485	258,0	80,4	3,7	498,3	394,4	284,0	341,5	433,0
486	257,8	80,8	3,7	498,2	394,3	283,9	341,5	432,7
487	257,3	80,8	3,7	498,1	394,2	283,9	341,0	432,4
488	257,2	80,3	3,6	498,1	394,0	283,9	341,1	432,1
489	257,5	81,0	3,6	497,9	394,0	283,9	340,8	431,8
490	257,3	80,5	3,6	497,7	393,8	283,9	340,8	431,4
491	257,4	81,2	3,6	497,5	393,7	283,9	340,8	431,1
492	257,2	80,3	3,5	497,4	393,6	283,9	340,8	430,7
493	257,9	80,4	3,5	497,3	393,5	283,9	340,4	430,4
494	257,6	80,2	3,5	497,2	393,5	283,9	340,3	430,2
495	257,7	80,3	3,5	497,2	393,4	283,9	340,1	429,9
496	257,0	80,5	3,5	497,1	393,4	283,9	340,2	429,5
497	256,5	80,4	3,5	496,9	393,3	284,0	340,4	429,4
498	256,1	80,1	3,4	496,7	393,3	283,9	340,2	429,1
499	256,2	80,4	3,4	496,6	393,3	284,0	340,4	428,8
500	256,2	80,2	3,4	496,5	393,3	284,0	339,9	428,5
501	255,5	80,3	3,4	496,3	393,4	284,0	339,7	428,3
502	255,2	80,5	3,4	495,8	393,4	284,0	339,3	428,1
503	255,1	80,5	3,4	495,2	393,3	284,0	339,1	427,8
504	254,7	80,1	3,3	494,6	393,3	283,9	338,5	427,5
505	253,9	80,4	3,3	493,9	393,3	283,8	338,5	427,3
506	254,0	80,3	3,2	493,4	393,2	283,8	337,9	427,0
507	253,6	79,9	3,2	492,7	393,2	283,7	337,6	426,7
508	254,0	80,2	3,2	492,0	393,2	283,7	337,3	426,4
509	253,7	80,2	3,2	491,5	393,1	283,6	336,8	426,2
510	253,8	80,7	3,2	491,0	393,0	283,6	336,8	425,9
511	253,2	80,1	3,2	490,4	392,8	283,5	336,1	425,5
512	253,3	80,1	3,2	489,7	392,9	283,5	335,8	425,2
513	252,8	80,3	3,1	489,1	392,8	283,6	335,5	425,0
514	252,2	80,2	3,1	488,5	392,7	283,7	335,4	424,8
515	252,5	80,3	3,1	488,0	392,7	283,7	335,5	424,6
516	252,6	79,8	3,1	487,4	392,6	283,8	335,1	424,3
517	252,5	80,2	3,1	486,9	392,5	283,8	334,8	424,0
518	252,2	80,2	3,0	486,4	392,5	283,9	334,6	423,8
519	251,9	80,0	3,1	485,8	392,5	283,8	334,4	423,6
520	251,8	81,0	3,1	485,3	392,4	283,7	334,2	423,5
521	251,9	80,0	3,0	484,8	392,4	283,7	334,3	423,3
522	251,7	80,3	3,0	484,3	392,4	283,7	334,1	423,0
523	251,9	80,1	3,0	483,8	392,4	283,8	333,7	422,8
524	251,4	80,3	2,9	483,3	392,3	283,8	333,7	422,5
525	251,4	80,0	2,9	482,9	392,2	283,9	333,4	422,2
526	251,5	80,3	2,9	482,5	392,2	283,9	333,1	422,1
527	251,9	80,1	2,9	482,0	392,2	284,0	333,3	421,9
528	251,7	80,2	2,9	481,6	392,1	284,0	332,6	421,5
529	251,3	80,3	2,9	481,2	392,0	284,0	332,5	421,3
530	250,7	81,2	2,8	480,8	391,9	283,8	332,2	421,2
531	250,6	80,9	2,9	480,6	391,9	283,7	331,6	421,0
532	250,5	80,1	2,8	480,2	391,7	283,8	331,6	420,8
533	250,3	80,7	2,8	479,7	391,8	283,8	331,3	420,5
534	250,1	80,2	2,8	479,4	391,8	283,9	331,4	420,2
535	250,6	80,2	2,7	478,9	391,7	283,9	331,0	420,0
536	250,4	80,4	2,7	478,7	391,6	283,8	330,6	419,8
537	249,8	80,0	2,7	478,4	391,5	283,8	330,7	419,6
538	249,8	79,9	2,7	478,1	391,4	283,8	330,5	419,4
539	249,7	79,9	2,7	477,7	391,4	283,7	329,9	419,2
540	249,4	79,9	2,7	477,3	391,3	283,7	329,7	419,0
541	249,2	79,7	2,7	477,0	391,2	283,6	329,4	418,8
542	249,4	80,1	2,6	476,7	391,2	283,6	329,2	418,7
543	248,9	80,0	2,6	476,2	391,1	283,5	328,7	418,5
544	249,0	79,9	2,6	475,7	391,0	283,5	328,6	418,3
545	248,3	80,2	2,6	475,3	390,9	283,4	328,5	418,1
546	248,3	80,1	2,5	474,9	390,9	283,4	328,2	417,9
547	248,8	80,0	2,6	474,2	390,9	283,4	328,0	417,7
548	248,7	79,9	2,5	473,7	390,9	283,3	327,7	417,6
549	248,6	81,3	2,5	473,3	391,0	283,2	327,5	417,4
550	248,4	80,8	2,5	472,8	391,1	283,1	327,4	417,3
551	247,9	79,9	2,5	472,3	391,1	283,0	327,6	417,0
552	248,4	80,4	2,5	471,7	391,2	283,0	327,5	416,8
553	248,0	80,2	2,4	471,3	391,3	282,9	327,4	416,7
554	248,0	80,2	2,4	470,9	391,3	282,8	327,2	416,5
555	247,5	80,4	2,4	470,6	391,4	282,8	327,1	416,3

Aging PI-20221

556	247,7	79,9	2,4	470,2	391,5	282,8	327,3	416,1
557	247,5	80,0	2,4	469,7	391,5	282,8	326,9	416,0
558	247,8	79,7	2,3	469,3	391,6	282,7	326,7	415,7
559	247,6	79,6	2,3	469,0	391,6	282,6	326,3	415,7
560	247,7	79,7	2,3	468,6	391,7	282,6	326,1	415,4
561	248,0	79,7	2,3	468,4	391,7	282,5	326,3	415,2
562	248,1	79,7	2,3	468,0	391,8	282,4	326,3	415,1
563	247,8	80,0	2,3	467,6	391,9	282,4	326,0	415,0
564	248,1	79,7	2,3	467,3	392,0	282,3	326,2	414,7
565	247,6	79,9	2,2	467,0	392,1	282,3	325,7	414,5
566	247,6	79,6	2,2	466,6	392,1	282,3	325,6	414,3
567	247,4	79,7	2,2	466,4	392,1	282,2	325,5	414,1
568	246,8	79,6	2,2	465,9	392,2	282,1	325,3	414,0
569	247,1	79,4	2,2	465,6	392,1	282,1	325,1	413,8
570	246,8	79,5	2,2	465,2	392,2	282,1	324,7	413,6
571	246,6	79,4	2,2	464,6	392,2	282,1	324,0	413,4
572	246,8	79,4	2,1	464,1	392,2	282,1	323,8	413,2
573	246,5	79,6	2,1	463,5	392,2	282,0	323,6	413,0
574	246,0	79,4	2,1	462,9	392,2	282,0	323,7	412,9
575	246,1	79,4	2,1	462,3	392,2	281,9	323,6	412,6
576	245,5	79,7	2,0	461,7	392,2	281,8	323,0	412,4
577	245,6	79,4	2,0	461,1	392,0	281,8	322,6	412,2
578	245,1	79,4	2,0	460,6	392,0	281,8	322,9	411,8
579	245,0	79,7	2,0	460,0	391,9	281,7	322,3	411,6
580	245,2	79,3	2,0	459,6	391,8	281,6	322,0	411,2
581	245,0	79,7	2,0	458,9	391,8	281,6	321,7	411,0
582	244,6	79,3	1,9	458,4	391,7	281,5	321,5	410,8
583	244,5	79,4	1,9	457,8	391,6	281,5	321,6	410,6
584	244,5	79,4	1,9	457,2	391,5	281,4	321,2	410,5
585	244,4	79,4	1,9	456,6	391,4	281,3	321,0	410,4
586	244,2	79,4	1,9	456,0	391,4	281,3	320,7	410,3
587	243,9	79,2	1,9	455,6	391,3	281,3	320,9	410,3
588	244,1	79,2	1,9	455,1	391,2	281,3	320,5	410,1
589	243,6	79,4	1,9	454,5	391,1	281,2	320,7	410,1
590	243,1	79,2	1,9	453,8	391,0	281,1	320,2	410,0
591	243,1	79,5	1,8	453,0	390,8	281,1	319,8	410,0
592	242,6	79,4	1,8	452,3	390,6	281,0	319,8	409,9
593	242,7	79,4	1,8	451,5	390,5	281,0	319,5	409,9
594	242,8	79,4	1,8	450,7	390,3	280,9	319,1	409,8
595	242,0	79,8	1,7	449,9	390,1	280,9	319,1	409,8
596	241,9	79,5	1,7	449,3	389,8	280,8	318,8	409,7
597	242,1	79,3	1,7	448,6	389,7	280,7	318,4	409,5
598	241,7	79,3	1,7	447,9	389,5	280,7	318,2	409,4
599	241,3	79,4	1,7	447,0	389,3	280,6	318,2	409,4
600	241,2	79,5	1,7	445,8	389,0	280,5	317,8	409,1
601	241,3	79,3	1,7	444,3	388,7	280,5	317,6	408,9
602	241,3	79,3	1,7	442,7	388,3	280,4	317,2	408,7
603	240,4	79,1	1,6	441,2	387,8	280,4	316,5	408,4
604	239,5	79,2	1,6	439,6	387,1	280,4	316,1	408,0
605	239,0	79,5	1,6	438,1	386,4	280,3	315,8	407,7
606	239,0	79,2	1,6	436,6	385,6	280,3	314,6	407,3
607	238,4	79,1	1,6	435,1	384,7	280,3	313,8	406,8
608	237,7	79,2	1,6	433,8	383,8	280,3	313,0	406,2
609	237,0	79,1	1,6	432,3	382,8	280,2	312,0	405,5
610	236,7	79,4	1,6	431,0	381,9	280,0	311,3	404,9
611	236,5	79,5	1,6	429,6	380,9	280,0	310,5	404,2
612	235,9	79,2	1,6	428,4	380,0	279,9	309,7	403,4
613	235,9	79,3	1,5	427,0	379,0	279,8	309,0	402,6
614	235,2	79,2	1,5	425,7	378,0	279,7	308,1	401,9
615	234,3	79,8	1,5	424,5	377,1	279,6	307,7	401,1
616	234,1	79,2	1,5	423,4	376,2	279,6	307,1	400,3
617	233,2	79,3	1,5	422,2	375,4	279,4	306,6	399,6
618	233,1	79,2	1,5	421,0	374,5	279,3	306,0	398,7
619	233,1	79,6	1,5	419,8	373,7	279,2	305,1	397,9
620	232,5	79,2	1,5	418,6	372,9	279,1	304,5	397,1
621	232,4	79,3	1,4	417,4	372,1	278,9	304,0	396,4
622	231,8	79,3	1,4	416,4	371,4	278,7	303,5	395,5
623	231,4	79,5	1,4	415,2	370,7	278,5	302,5	394,8
624	231,1	79,5	1,4	414,2	369,9	278,4	301,9	393,9
625	230,7	79,2	1,3	413,1	369,2	278,2	301,4	393,1
626	230,5	79,6	1,3	412,1	368,5	278,0	300,6	392,4
627	230,1	79,5	1,3	411,1	367,8	277,9	300,2	391,7
628	229,9	79,6	1,3	410,1	367,2	277,7	299,4	390,9
629	229,4	79,9	1,3	409,2	366,6	277,5	299,1	390,2
630	229,1	79,1	1,3	408,3	366,0	277,3	298,4	389,4
631	229,1	79,3	1,3	407,4	365,4	277,1	298,0	388,6
632	228,8	79,5	1,3	406,5	364,8	277,0	297,4	387,9
633	228,4	79,8	1,3	405,6	364,2	276,8	297,2	387,2
634	228,0	79,9	1,2	404,9	363,8	276,6	296,5	386,5
635	227,8	79,2	1,2	404,0	363,2	276,4	296,0	385,8
636	227,4	79,3	1,2	403,2	362,7	276,2	295,6	385,1
637	226,9	79,0	1,2	402,5	362,2	276,1	295,4	384,5
638	226,7	79,2	1,2	401,7	361,8	275,8	294,6	383,8
639	226,6	79,1	1,2	401,0	361,3	275,6	294,3	383,3
640	226,6	79,2	1,1	400,3	360,9	275,3	293,8	382,6
641	226,3	79,4	1,1	399,6	360,4	275,1	293,4	382,1
642	226,2	79,1	1,1	398,9	360,1	274,8	293,0	381,5
643	226,0	79,1	1,1	398,3	359,7	274,7	292,6	381,0
644	225,6	79,4	1,1	397,6	359,3	274,4	292,4	380,4
645	225,3	79,1	1,1	396,9	359,0	274,2	291,7	379,9
646	225,0	78,9	1,1	396,4	358,6	274,0	291,7	379,4
647	225,0	79,5	1,1	395,7	358,2	273,7	291,4	378,9
648	224,8	79,1	1,1	395,2	357,9	273,6	291,2	378,5

Aging PI-20221

649	224,7	79,2	1,0	394,6	357,6	273,4	291,1	378,1
650	224,7	79,0	1,0	394,0	357,3	273,2	290,7	377,7
651	224,2	79,2	1,0	393,5	357,1	273,1	290,4	377,3
652	224,1	79,1	1,0	393,0	356,9	272,9	290,1	377,0
653	224,0	79,1	1,0	392,5	356,5	272,8	289,7	376,6
654	223,7	79,1	1,0	392,0	356,3	272,5	289,6	376,2
655	223,4	78,7	0,9	391,6	356,1	272,3	289,2	375,8
656	223,2	78,8	1,0	391,2	355,8	272,1	289,0	375,4
657	222,9	79,0	0,9	390,7	355,6	271,9	288,9	375,0
658	222,7	79,3	0,9	390,3	355,4	271,7	288,8	374,6
659	223,0	79,3	0,9	390,0	355,2	271,5	288,7	374,2
660	222,6	79,1	0,9	389,6	355,0	271,2	288,4	373,9
661	222,3	79,1	0,9	389,1	354,8	271,0	287,9	373,5
662	222,2	78,9	0,9	388,7	354,5	270,8	287,6	373,1
663	221,8	78,8	0,9	388,3	354,3	270,7	287,3	372,7
664	222,0	78,7	0,9	387,8	354,1	270,5	286,8	372,3
665	221,8	78,8	0,9	387,4	353,8	270,4	286,4	371,8
666	221,1	79,1	0,8	387,0	353,6	270,2	286,3	371,5
667	220,7	78,9	0,8	386,7	353,5	270,0	285,9	371,0
668	220,9	78,6	0,8	386,3	353,3	269,8	285,5	370,6
669	220,5	79,1	0,7	385,9	353,1	269,5	285,5	370,2
670	220,5	78,7	0,8	385,3	352,9	269,4	285,0	369,8
671	220,3	78,9	0,7	385,0	352,6	269,1	284,9	369,3
672	219,9	79,0	0,7	384,6	352,4	269,0	284,4	369,0
673	219,7	78,6	0,8	384,1	352,2	268,8	284,2	368,5
674	219,4	79,2	0,7	383,6	352,0	268,7	283,9	368,1
675	219,6	79,1	0,8	383,1	351,7	268,5	283,4	367,6
676	219,3	79,0	0,7	382,5	351,5	268,4	283,5	367,2
677	219,4	78,7	0,7	382,0	351,2	268,2	283,2	366,8
678	219,0	78,7	0,7	381,6	350,9	268,0	283,0	366,3
679	218,9	79,3	0,7	381,1	350,6	267,9	282,9	365,9
680	218,8	79,4	0,6	380,6	350,5	267,7	282,5	365,6
681	218,9	78,8	0,6	380,2	350,3	267,7	282,4	365,1
682	218,6	78,9	0,6	379,7	350,0	267,6	282,1	364,8
683	218,0	78,7	0,6	379,3	349,8	267,5	281,9	364,3
684	218,1	78,2	0,6	378,9	349,6	267,3	281,6	364,0
685	218,2	78,4	0,6	378,5	349,3	267,1	281,2	363,6
686	218,0	78,4	0,6	378,1	349,2	267,1	281,2	363,3
687	217,7	78,9	0,5	377,7	348,9	267,0	281,1	362,9
688	217,7	78,6	0,6	377,4	348,8	266,9	280,6	362,5
689	217,4	78,6	0,5	377,1	348,6	266,6	280,4	362,2
690	217,6	79,1	0,5	376,8	348,4	266,4	280,0	361,8
691	217,6	79,0	0,4	376,5	348,3	266,2	280,0	361,5
692	217,0	78,3	0,5	376,3	348,2	266,1	279,9	361,2
693	216,8	78,6	0,5	376,0	348,0	266,0	279,7	360,9
694	216,8	79,0	0,5	375,8	347,9	265,9	279,7	360,6
695	217,0	78,5	0,4	375,5	347,8	265,7	279,5	360,3
696	217,1	78,7	0,4	375,3	347,6	265,7	279,2	359,9
697	216,8	78,9	0,4	375,1	347,6	265,6	279,3	359,6
698	216,7	78,8	0,4	374,9	347,5	265,5	279,1	359,4
699	216,7	79,0	0,4	374,8	347,3	265,4	279,0	359,1
700	216,5	79,0	0,4	374,5	347,3	265,3	278,8	358,8
701	216,5	78,6	0,4	374,4	347,2	265,2	278,7	358,5
702	216,4	78,6	0,3	374,2	347,1	265,0	278,5	358,3
703	216,1	79,1	0,3	374,0	347,1	264,9	278,4	358,0
704	216,0	78,2	0,3	373,8	347,1	264,9	278,2	357,7
705	216,2	78,3	0,3	373,8	347,1	264,7	278,2	357,6
706	216,3	78,2	0,3	373,6	347,1	264,6	278,2	357,4
707	216,4	78,2	0,2	373,4	347,0	264,5	278,1	357,2
708	216,4	78,7	0,3	373,2	347,0	264,5	278,0	357,0
709	216,4	78,4	0,3	373,0	347,1	264,4	277,9	356,7
710	216,0	78,2	0,2	372,7	347,0	264,4	277,6	356,5
711	215,8	78,1	0,3	372,5	347,1	264,3	277,5	356,3
712	215,8	78,2	0,2	372,3	347,1	264,3	277,6	356,2
713	215,8	78,2	0,2	372,0	347,1	264,2	277,6	356,1
714	215,4	78,3	0,2	371,6	347,1	264,2	277,3	355,8
715	215,3	77,8	0,2	371,4	347,1	264,2	277,2	355,5
716	215,5	78,3	0,1	371,1	347,1	264,2	277,0	355,4
717	215,4	78,7	0,1	370,9	347,1	264,1	276,9	355,1
718	215,8	78,1	0,1	370,6	347,2	264,1	276,8	355,0
719	215,4	77,9	0,1	370,3	347,2	264,1	276,7	354,7
720	215,2	78,1	0,1	370,0	347,3	264,0	276,4	354,5
721	215,2	78,0	0,1	369,7	347,3	264,0	276,4	354,3
722	214,7	78,4	0,1	369,5	347,4	263,9	276,2	354,2
723	214,5	78,0	0,1	369,3	347,4	264,0	276,0	353,9
724	214,6	78,2	0,1	369,0	347,5	263,9	276,0	353,8
725	214,7	78,0	0,1	368,7	347,5	263,9	275,7	353,5
726	214,3	77,7	0,0	368,4	347,5	263,9	275,7	353,3
727	72,7	71,1	11,4	75,5	77,2	77,5	73,3	74,8
728	101,8	71,2	11,4	75,4	77,1	77,4	75,7	74,7
729	185,6	71,1	11,3	76,0	77,1	77,3	99,9	75,0
730	304,0	71,3	11,1	78,3	77,1	77,3	136,1	76,1
731	451,7	71,5	10,8	84,0	77,2	77,1	193,7	79,3
732	537,8	71,8	10,6	93,8	77,7	77,0	276,8	87,0
733	554,2	72,2	10,3	107,1	78,7	77,0	346,6	99,2
734	528,5	72,4	10,0	121,4	80,7	76,9	389,4	113,2
735	536,7	72,7	9,8	135,6	83,6	76,7	420,6	125,2
736	581,2	72,8	9,5	150,1	88,0	76,6	461,4	137,8
737	581,7	73,6	9,2	166,2	94,0	76,5	500,1	149,3
738	604,8	73,6	8,9	182,3	101,0	76,5	533,4	162,2
739	641,9	74,0	8,6	198,1	108,7	76,5	568,1	176,4
740	691,4	74,5	8,3	214,3	117,4	76,6	613,4	190,4
741	721,8	75,3	7,9	230,9	126,7	76,7	667,5	204,6

18-19-19-20-21

Aging PI-20221

742	720.2	75.9	7.6	247.4	136.2	77.0	714.6	219.1
743	711.2	75.6	7.3	263.9	145.9	77.4	748.9	233.5
744	708.1	76.2	7.0	280.2	155.5	78.0	772.9	247.2
745	712.1	77.0	6.7	296.1	163.7	78.7	790.4	260.2
746	701.0	76.8	6.4	311.7	170.4	79.6	800.5	273.0
747	680.9	77.6	6.2	326.6	178.6	80.5	800.7	285.8
748	664.3	77.4	5.9	340.8	186.6	81.5	791.0	298.2
749	651.8	77.1	5.7	354.6	194.8	82.8	778.7	310.2
750	643.9	76.5	5.5	368.1	202.9	84.2	767.7	321.8
751	641.6	77.5	5.3	380.7	210.9	85.8	758.7	333.4
752	636.9	78.4	5.1	393.4	219.0	87.5	748.2	345.2
753	635.8	76.9	4.8	405.9	227.0	89.3	739.0	356.8
754	635.8	77.0	4.7	418.3	234.9	91.1	732.2	368.1
755	640.2	77.4	4.5	430.5	242.8	93.3	728.5	379.5
756	643.0	78.0	4.2	442.1	250.6	95.6	727.0	391.0
757	645.6	77.5	4.0	452.9	258.4	98.2	725.5	402.5
758	639.2	78.8	3.8	463.1	266.2	100.6	724.7	414.0
759	629.8	78.0	3.6	472.8	273.9	103.3	723.7	425.4
760	623.5	77.7	3.5	482.3	281.6	106.1	719.0	436.6
761	681.5	77.2	29.7	493.7	291.1	109.1	727.1	448.3
762	684.9	76.4	29.4	500.3	299.5	112.0	739.1	458.6
763	711.5	76.1	29.1	501.3	305.8	115.0	759.9	465.5
764	716.5	76.9	28.8	500.6	310.4	117.9	779.2	469.6
765	721.0	77.3	28.4	500.1	313.3	120.8	795.0	472.1
766	727.6	77.7	28.1	500.0	315.1	123.4	807.3	473.7
767	736.1	78.7	27.8	500.2	315.8	126.0	814.4	474.9
768	744.9	78.9	27.5	501.5	315.8	128.4	818.6	476.6
769	750.2	78.3	27.1	503.6	315.6	130.7	821.6	478.5
770	755.6	78.8	26.8	506.0	315.7	133.0	824.9	480.6
771	755.5	80.2	26.4	508.6	315.8	135.2	827.5	482.8
772	758.0	79.2	26.1	511.4	315.9	137.2	829.7	485.2
773	762.7	79.9	25.8	514.3	316.1	139.1	834.4	487.8
774	771.9	79.5	25.4	517.5	316.4	141.0	839.6	490.2
775	777.0	80.1	25.1	520.9	316.9	142.9	847.2	492.9
776	786.8	81.5	24.7	524.6	317.5	144.7	860.4	495.7
777	792.5	79.9	24.4	528.9	318.2	146.4	872.5	498.7
778	799.3	81.4	24.1	533.6	318.8	148.0	884.7	502.1
779	799.0	80.4	23.7	538.5	318.8	149.6	898.0	505.5
780	798.7	82.7	23.4	543.5	318.6	151.1	910.0	509.2
781	795.7	81.5	23.0	548.7	318.5	152.6	919.3	513.0
782	794.4	81.6	22.7	554.0	318.4	154.0	926.7	516.9
783	794.9	81.5	22.3	559.3	318.5	155.5	932.3	521.0
784	791.1	81.0	22.0	564.6	318.9	156.8	936.8	525.1
785	789.1	81.7	21.7	569.7	319.3	158.2	940.3	529.2
786	788.9	82.5	21.4	574.9	319.7	159.5	941.6	533.4
787	788.9	82.3	21.1	580.1	320.3	160.6	942.5	537.5
788	784.8	82.0	20.7	585.4	321.1	161.8	941.7	541.7
789	783.5	82.4	20.5	590.6	321.9	163.1	940.0	545.9
790	782.7	83.3	20.0	596.0	322.7	164.5	938.8	550.0
791	784.3	82.0	19.7	601.3	323.7	165.7	937.4	554.1
792	781.6	84.0	19.5	606.6	324.8	167.2	934.3	558.4
793	777.3	82.0	19.1	611.8	326.1	168.5	931.8	562.6
794	772.6	82.1	18.9	616.9	327.4	169.9	929.4	566.8
795	768.8	81.6	18.5	621.9	328.7	171.3	926.3	571.2
796	763.7	82.7	18.2	626.6	330.1	172.7	921.8	575.6
797	765.2	82.6	17.8	631.3	331.7	174.0	918.6	579.9
798	759.5	82.7	17.5	635.9	333.4	175.6	916.0	584.3
799	758.2	81.8	17.3	640.4	335.1	177.1	912.7	588.5
800	755.5	81.7	17.1	644.8	336.7	178.6	907.2	592.8
801	755.1	82.0	16.8	649.0	338.5	180.2	903.5	596.9
802	757.4	81.3	16.5	653.1	340.2	181.8	900.4	600.9
803	757.8	82.1	16.2	657.2	342.1	183.4	898.5	604.6
804	756.6	82.6	15.9	661.2	343.7	185.0	896.5	608.2
805	755.4	82.8	15.6	665.2	345.4	186.6	892.3	611.6
806	750.8	84.4	15.3	669.0	347.1	188.2	888.2	614.9
807	746.4	82.4	15.0	672.8	348.8	189.8	884.2	618.1
808	744.7	83.8	14.8	676.4	350.5	191.4	878.5	621.4
809	741.4	82.4	14.5	680.0	352.3	192.9	875.4	624.7
810	738.9	84.3	14.3	683.3	354.1	194.5	873.8	628.0
811	734.3	83.2	14.0	686.5	355.9	196.2	869.0	630.9
812	734.0	84.2	13.8	689.8	357.8	197.7	869.7	633.9
813	729.4	83.9	13.6	692.9	359.8	199.3	867.5	636.7
814	723.5	82.3	13.3	696.2	361.9	201.0	861.9	639.4
815	717.5	84.3	13.1	699.1	364.0	202.4	856.7	642.1
816	712.4	83.3	12.8	701.5	366.3	204.2	851.7	644.5
817	710.6	83.6	12.7	703.8	368.6	205.8	845.1	646.8
818	706.6	82.4	12.4	706.1	371.0	207.4	838.7	649.1
819	704.2	82.8	12.2	708.2	373.4	209.2	832.8	651.5
820	700.8	83.3	12.0	710.0	375.9	210.9	827.7	653.9
821	703.3	83.2	11.8	711.7	378.4	212.6	825.1	656.4
822	701.4	82.5	11.6	713.6	380.9	214.5	825.3	658.9
823	700.3	82.4	11.3	715.4	383.7	216.4	826.3	661.2
824	697.1	83.8	11.1	717.2	386.3	218.3	825.0	663.5
825	696.5	83.2	11.0	718.9	389.1	220.0	824.6	665.6
826	693.1	82.4	10.7	720.5	391.8	222.0	824.4	667.6
827	688.2	82.5	10.6	722.0	394.7	223.9	821.3	669.5
828	686.0	83.0	10.4	723.1	397.6	225.8	818.7	671.3
829	684.6	85.1	10.2	724.0	400.3	227.7	815.7	673.0
830	680.4	84.0	10.0	725.0	403.1	229.7	812.9	674.6
831	674.1	83.2	9.8	725.9	406.2	231.7	809.2	676.3
832	667.4	83.9	9.7	726.8	408.9	233.8	805.1	678.0
833	659.6	83.4	9.5	727.4	411.8	235.8	801.3	679.6
834	655.6	83.3	9.3	727.9	414.8	237.9	796.0	680.9

21-20-19-18-20

835	648,1	84,0	9,1	728,3	417,7	240,0	789,7	682,3
836	644,5	82,9	9,0	728,9	420,7	241,8	783,7	683,5
837	635,7	82,6	8,9	729,4	423,6	243,9	776,6	684,5
838	630,4	83,4	8,7	729,9	426,4	246,1	765,9	685,4
839	625,6	83,1	8,6	730,2	429,1	248,3	755,3	686,3
840	615,2	82,7	8,4	729,9	431,5	250,5	743,4	687,1
841	605,9	83,6	8,3	729,5	434,2	252,8	730,2	687,8
842	596,3	82,5	8,2	728,7	436,7	254,8	717,5	688,2
843	588,3	83,0	8,0	727,5	439,3	256,8	705,3	688,2
844	579,9	83,1	7,9	726,0	441,7	258,8	692,1	687,8
845	573,9	83,7	7,8	724,3	444,0	260,8	681,1	687,2
846	568,0	82,7	7,7	722,4	446,3	262,8	669,2	686,3
847	564,3	82,5	7,6	720,6	448,4	264,8	658,5	685,2
848	560,0	82,7	7,5	718,5	450,3	266,9	650,1	684,1
849	556,1	82,4	7,4	716,6	452,2	269,0	642,9	682,8
850	553,7	81,8	7,3	714,8	454,0	271,0	636,6	681,4
851	554,4	82,2	7,2	713,0	455,6	273,0	631,2	680,2
852	553,6	81,9	7,1	711,5	457,4	275,1	627,2	678,9
853	553,3	82,1	7,0	710,5	459,0	277,0	623,7	677,9
854	553,4	82,0	6,8	709,9	460,6	279,0	621,0	676,9
855	550,4	81,6	6,7	709,4	462,1	281,0	617,1	675,9
856	546,0	81,6	6,6	708,8	463,8	282,8	613,5	675,1
857	544,0	81,6	6,5	708,2	465,3	284,7	609,7	674,2
858	539,2	81,7	6,4	707,5	466,8	286,6	607,4	673,4
859	534,7	82,4	6,4	706,6	468,2	288,4	605,6	672,6
860	528,7	82,0	6,3	705,2	469,5	289,9	603,0	671,9
861	521,8	83,6	6,2	703,4	470,9	291,6	599,1	670,6
862	515,1	82,4	6,1	701,3	472,2	293,0	594,6	669,1
863	508,9	82,4	6,0	698,7	473,4	294,5	588,0	666,9
864	503,5	82,4	5,9	696,0	474,6	295,9	581,8	664,0
865	500,6	81,5	5,9	693,1	476,3	297,1	575,0	660,7
866	494,7	81,5	5,9	690,0	478,0	298,3	568,0	657,1
867	490,7	81,8	5,8	686,6	479,3	299,4	560,5	653,0
868	486,1	81,9	5,8	683,0	480,4	300,5	554,2	648,9
869	481,7	81,5	5,7	679,3	480,9	301,5	547,9	644,6
870	477,4	82,0	5,7	675,4	480,9	302,4	542,3	640,2
871	473,8	81,7	5,6	671,2	480,6	303,3	535,8	635,8
872	470,5	83,5	5,6	666,9	480,2	304,2	530,7	631,3
873	466,9	83,5	5,5	662,7	479,3	304,8	525,3	626,9
874	463,1	82,5	5,5	658,6	478,3	305,6	520,1	622,6
875	461,3	82,8	5,5	654,6	477,1	306,3	515,2	618,2
876	458,6	82,3	5,4	650,7	475,8	307,0	510,8	614,1
877	455,6	83,2	5,4	647,2	474,4	307,7	505,8	610,0
878	454,4	83,0	5,3	644,1	473,0	308,3	502,4	606,2
879	452,5	83,1	5,3	641,0	471,6	308,7	498,9	602,5
880	450,9	83,7	5,2	638,1	470,5	309,4	495,0	598,8
881	448,4	83,1	5,2	635,3	469,3	310,1	493,0	595,2
882	446,7	83,7	5,1	632,7	468,3	310,7	489,5	592,0
883	445,2	82,6	5,1	630,1	467,2	311,4	486,5	588,7
884	441,7	82,8	5,1	627,5	466,3	311,9	483,0	585,7
885	437,4	83,4	5,0	624,6	465,2	312,3	479,1	582,5
886	433,8	82,8	5,0	621,2	464,0	312,6	475,4	579,4
887	431,8	83,0	4,9	617,7	462,7	313,1	471,3	576,1
888	429,9	84,2	4,9	614,3	461,1	313,4	468,3	573,0
889	427,7	83,1	4,9	611,1	459,5	313,7	464,7	569,8
890	425,5	83,6	4,9	608,0	457,8	314,1	460,6	566,7
891	422,7	82,6	4,8	604,9	456,3	314,5	457,6	563,8
892	421,1	83,5	4,8	601,6	454,7	314,7	454,0	560,9
893	419,1	83,0	4,8	598,5	453,2	315,1	451,7	558,0
894	417,8	84,1	4,7	595,4	451,7	315,4	449,3	555,4
895	416,7	83,2	4,7	592,6	450,1	315,8	447,5	552,8
896	415,5	83,7	4,6	589,8	448,6	316,2	445,1	550,3
897	414,1	83,9	4,6	587,4	447,2	316,6	442,9	547,8
898	413,4	84,5	4,6	585,2	446,0	317,0	441,0	545,3
899	411,5	83,7	4,6	582,9	444,8	317,4	439,4	543,0
900	409,9	83,8	4,5	580,7	443,6	317,8	437,4	540,5
901	407,5	83,9	4,5	578,5	442,6	318,2	435,4	538,2
902	405,5	83,7	4,5	576,2	441,5	318,7	433,7	535,7
903	404,0	83,4	4,5	573,8	440,5	319,1	431,7	533,6
904	402,6	83,4	4,4	571,6	439,5	319,5	429,7	531,4
905	401,8	83,5	4,4	569,3	438,6	320,0	428,3	529,1
906	400,4	83,5	4,3	567,4	437,4	320,3	426,8	527,0
907	399,4	83,3	4,3	565,2	436,5	320,7	425,2	524,8
908	398,6	83,4	4,3	563,4	435,6	321,3	424,1	522,8
909	397,7	83,9	4,3	561,7	434,9	321,7	422,2	520,8
910	396,7	83,3	4,2	560,1	434,5	322,1	420,8	519,2
911	396,2	84,0	4,2	558,5	433,9	322,5	419,8	517,3
912	394,8	83,6	4,2	556,8	433,4	322,9	419,0	515,5
913	394,8	83,7	4,1	555,5	433,0	323,3	417,3	514,0
914	394,2	84,1	4,1	554,3	432,7	323,8	415,7	512,3
915	394,4	83,7	4,0	553,1	432,4	324,2	414,4	510,6
916	392,7	84,0	4,0	552,0	432,4	324,6	413,0	509,2
917	391,1	83,9	4,0	550,8	432,2	325,1	411,8	507,8
918	371,2	84,6	31,8	550,3	432,3	325,5	407,4	507,0
919	410,1	84,1	31,4	547,5	432,9	326,5	403,9	505,4
920	365,9	84,8	31,1	541,7	433,2	327,8	398,2	502,6
921	464,8	84,8	30,8	533,4	432,3	328,9	415,5	497,9
922	590,9	84,4	30,5	524,0	429,7	329,9	483,5	492,7
923	629,6	85,1	30,2	514,8	426,3	330,8	564,3	487,3
924	625,0	85,7	29,9	506,1	422,6	331,5	626,0	482,2
925	596,5	85,6	29,6	498,1	418,8	332,2	669,5	477,6
926	583,8	86,2	29,3	491,6	415,3	332,4	696,4	473,7
927	585,1	86,0	29,1	486,5	411,8	332,9	716,1	470,5

23-22-21-20-20-19

Aging PI-20221

928	585,9	86,5	28,8	482,5	408,3	333,1	731,9	468,1
929	585,5	86,6	28,6	479,6	404,8	333,1	742,5	466,5
930	582,6	87,2	28,3	477,5	401,3	333,1	752,2	465,6
931	580,9	87,2	28,1	476,1	397,9	333,0	760,3	465,5
932	582,0	87,6	27,9	475,2	394,5	332,9	766,6	465,8
933	569,2	87,2	27,6	474,9	391,2	332,7	771,8	466,4
934	541,4	87,6	27,4	475,2	388,1	332,4	772,0	467,5
935	523,9	87,3	27,2	475,5	385,1	332,1	763,6	468,6
936	511,6	86,9	27,0	476,0	382,1	331,5	752,6	469,5
937	505,9	87,9	26,8	476,7	379,4	331,0	742,3	470,3
938	505,0	87,2	26,6	477,6	376,6	330,4	733,6	470,8
939	504,2	86,8	26,4	478,4	374,1	329,7	728,9	471,2
940	504,4	86,9	26,2	479,3	371,5	329,1	725,3	471,2
941	506,6	87,0	26,0	480,0	369,0	328,4	724,9	471,3
942	506,4	87,4	25,8	480,9	366,8	327,6	723,8	471,4
943	504,4	86,7	25,7	481,7	364,4	326,8	723,5	471,5
944	503,6	89,5	25,4	482,6	361,7	326,0	721,7	471,7
945	506,6	90,2	25,2	483,5	359,1	325,2	723,5	472,0
946	505,9	87,7	25,0	485,0	356,7	324,5	724,9	472,3
947	504,6	88,9	24,8	486,5	354,8	323,7	726,2	472,8
948	511,5	89,5	24,6	488,2	353,2	322,8	728,7	473,5
949	521,0	88,5	24,4	489,9	351,9	322,0	733,3	474,3
950	526,2	88,0	24,2	491,0	350,8	321,1	739,2	475,2
951	530,8	87,3	24,0	492,0	350,1	320,2	744,4	476,3
952	533,2	87,7	23,7	493,2	349,5	319,3	750,1	477,7
953	534,2	87,7	23,5	494,0	349,3	318,4	754,7	479,2
954	535,8	87,6	23,3	495,0	349,1	317,5	757,3	480,9
955	536,7	87,2	23,1	496,0	349,1	316,5	758,9	482,7
956	535,1	87,6	22,9	497,0	349,2	315,5	761,3	484,5
957	535,6	87,9	22,6	498,0	349,3	314,6	762,1	486,6
958	535,4	87,4	22,4	499,0	349,5	313,5	763,7	488,7
959	535,9	88,0	22,2	499,9	349,9	312,5	764,5	490,7
960	535,1	87,6	22,0	501,0	350,2	311,5	765,8	492,7
961	535,2	87,7	21,8	502,1	350,8	310,5	765,3	494,7
962	534,6	87,7	21,6	503,1	351,2	309,5	765,3	496,8
963	535,0	87,8	21,3	504,5	351,9	308,5	764,8	498,7
964	536,4	87,7	21,2	505,7	352,6	307,5	765,1	500,8
965	529,7	88,4	20,9	507,0	353,4	306,5	764,8	502,8
966	528,0	88,0	20,7	508,1	354,0	305,6	764,7	504,8
967	526,3	87,4	20,5	509,5	354,7	304,6	764,1	507,0
968	525,2	88,3	20,3	510,9	355,5	303,7	763,9	509,0
969	527,2	88,1	20,1	512,1	356,2	302,7	766,8	511,0
970	530,6	87,9	19,9	513,4	356,8	301,8	771,2	512,9
971	532,3	88,0	19,7	514,9	357,5	301,0	775,6	514,8
972	533,6	88,1	19,6	516,3	358,1	300,2	778,2	516,7
973	535,0	88,2	19,3	517,6	358,7	299,3	780,0	518,5
974	535,5	89,4	19,1	519,1	359,5	298,5	781,5	520,3
975	534,5	88,7	18,9	520,5	360,1	297,6	781,3	522,1
976	534,0	88,0	18,7	522,0	360,9	296,8	781,0	523,9
977	534,0	89,2	18,5	523,5	361,6	296,0	781,3	525,6
978	533,2	88,2	18,2	524,9	362,4	295,2	780,7	527,2
979	534,0	88,2	18,1	526,3	363,2	294,4	780,2	528,9
980	532,8	87,3	17,8	528,0	364,0	293,6	779,2	530,4
981	532,9	87,4	17,7	529,5	364,9	292,8	778,4	531,9
982	531,6	87,8	17,5	531,1	365,8	292,0	778,2	533,3
983	531,3	87,4	17,3	532,7	366,7	291,2	777,9	534,7
984	531,9	88,6	17,2	534,2	367,6	290,5	777,4	536,1
985	529,9	88,1	16,9	535,7	368,5	289,8	775,8	537,4
986	529,7	87,0	16,7	537,2	369,4	289,1	775,6	538,7
987	529,2	86,9	16,6	538,7	370,4	288,3	774,5	540,0
988	529,1	87,7	16,4	540,2	371,3	287,5	774,5	541,3
989	528,5	87,6	16,1	541,8	372,3	286,9	774,8	542,6
990	528,0	86,9	15,9	543,3	373,2	286,2	774,8	543,9
991	528,2	87,2	15,8	544,9	374,3	285,6	775,4	545,2
992	526,8	87,0	15,6	546,4	375,3	284,9	775,7	546,5
993	525,2	88,2	15,4	547,8	376,4	284,3	775,4	547,9
994	524,1	88,1	15,2	549,2	377,4	283,8	774,7	549,2
995	523,4	86,9	15,0	550,6	378,5	283,3	773,2	550,7
996	520,8	88,9	14,9	552,0	379,6	282,8	770,4	552,1
997	516,0	86,3	14,6	553,4	380,8	282,2	767,3	553,5
998	515,2	86,2	14,5	554,8	381,9	281,7	763,2	554,8
999	513,1	87,3	14,4	556,3	382,9	281,3	760,4	556,2
1000	512,7	85,5	14,2	557,8	383,9	280,7	757,4	557,5
1001	512,0	87,2	13,9	559,3	384,9	280,3	756,5	558,8
1002	512,4	86,0	13,7	560,7	385,9	279,9	754,8	560,1
1003	510,4	88,1	13,7	562,2	387,2	279,5	754,4	561,4
1004	509,3	85,9	13,5	563,6	388,2	279,1	752,7	562,6
1005	506,3	86,0	13,3	565,2	389,3	278,6	750,8	563,8
1006	503,8	85,8	13,1	566,6	390,6	278,3	748,6	565,1
1007	502,1	86,5	13,0	567,9	391,8	277,9	746,7	566,3
1008	500,2	86,5	12,8	569,2	393,1	277,6	744,2	567,3
1009	496,8	85,9	12,7	570,5	394,3	277,3	740,9	568,5
1010	493,3	88,6	12,5	571,9	395,7	277,0	735,0	569,7
1011	487,7	84,8	12,4	573,3	397,1	276,7	728,7	570,9
1012	482,1	86,0	12,3	574,6	398,5	276,4	722,4	572,2
1013	477,5	86,4	12,1	575,7	400,0	276,3	716,6	573,3
1014	473,1	85,8	12,0	576,7	401,4	276,1	709,6	574,3
1015	468,4	86,6	11,9	577,7	402,9	276,0	704,4	575,2
1016	464,8	86,5	11,7	578,4	404,3	275,8	700,4	576,0
1017	460,0	86,7	11,6	579,1	405,9	275,7	694,4	576,6
1018	457,4	86,1	11,4	579,4	407,3	275,6	689,7	577,0
1019	453,7	85,5	11,4	579,7	408,9	275,6	684,6	577,4
1020	450,0	85,1	11,2	579,9	410,4	275,5	679,0	577,5

Aging PI-20221

1021	447,2	85,1	11,1	579,8	411,8	275,4	672,7	577,4
1022	444,3	85,9	11,0	579,9	413,2	275,4	666,3	577,3
1023	441,1	85,8	10,8	579,9	414,7	275,4	660,5	577,1
1024	438,6	85,3	10,7	579,8	416,1	275,4	655,7	576,8
1025	435,8	86,3	10,6	579,6	417,4	275,3	650,2	576,4
1026	435,1	86,3	10,5	579,5	418,7	275,3	645,5	576,1
1027	434,3	84,5	10,4	579,4	420,0	275,2	641,4	575,6
1028	433,6	85,2	10,2	579,2	421,1	275,2	639,3	575,0
1029	433,9	85,3	10,1	579,0	422,3	275,2	638,7	574,5
1030	435,9	85,8	10,0	578,9	423,4	275,2	638,6	574,0
1031	435,8	84,7	9,9	578,7	424,5	275,1	640,4	573,5
1032	431,7	85,6	9,8	578,5	425,4	275,1	641,0	573,2
1033	425,6	86,1	9,7	578,1	426,4	275,1	637,4	572,7
1034	419,3	85,6	9,6	577,7	427,2	275,1	631,3	572,3
1035	414,7	86,6	9,5	577,1	427,8	275,2	624,2	571,7
1036	410,7	85,6	9,4	576,3	428,5	275,2	617,3	570,9
1037	409,0	85,9	9,4	575,5	429,0	275,1	609,9	570,0
1038	407,0	85,0	9,2	574,9	429,3	275,2	603,7	569,1
1039	405,2	84,5	9,2	574,3	429,5	275,2	597,5	568,3
1040	402,2	84,2	9,0	573,8	429,7	275,2	592,5	567,5
1041	400,5	84,7	9,0	573,2	429,7	275,3	587,3	566,8
1042	397,8	84,6	8,8	572,8	429,8	275,3	582,4	565,9
1043	395,6	83,3	8,8	572,3	429,9	275,4	577,8	565,2
1044	393,7	85,4	8,7	572,1	430,0	275,5	573,5	564,4
1045	392,0	84,3	8,6	571,8	430,1	275,6	569,2	563,8
1046	390,4	85,8	8,5	571,5	430,2	275,6	565,5	563,0
1047	388,0	85,5	8,4	571,4	430,3	275,8	561,1	562,4
1048	387,5	84,7	8,3	571,3	430,4	275,9	557,5	561,7
1049	386,4	86,1	8,3	571,1	430,7	275,9	554,3	561,2
1050	385,7	85,3	8,2	571,1	430,8	276,1	551,7	560,6
1051	383,1	85,4	8,1	571,1	431,0	276,2	549,5	560,2
1052	382,4	86,2	8,0	571,2	431,4	276,4	547,2	560,0
1053	381,7	85,8	8,0	571,3	431,7	276,6	544,9	559,7
1054	379,7	85,0	7,9	571,6	432,1	276,7	542,9	559,5
1055	378,1	84,8	7,8	571,7	432,6	276,8	539,4	559,5
1056	373,5	83,4	7,7	571,8	433,0	276,9	536,2	559,5
1057	368,9	84,1	7,6	571,6	433,3	277,0	531,4	559,6
1058	366,0	84,3	7,6	571,2	433,6	277,1	527,0	559,5
1059	362,2	84,6	7,5	570,6	433,8	277,1	522,0	559,2
1060	359,2	84,7	7,4	569,7	433,8	277,1	516,4	558,8
1061	356,0	84,7	7,4	568,8	433,8	277,2	511,8	558,1
1062	353,4	84,6	7,4	567,8	433,8	277,2	506,6	557,3
1063	350,5	83,9	7,3	566,7	433,7	277,1	502,4	556,3
1064	348,1	83,7	7,2	565,5	433,6	277,2	497,8	555,2
1065	345,9	84,1	7,2	564,3	433,4	277,2	492,9	553,9
1066	343,8	84,2	7,1	563,0	433,2	277,2	488,7	552,6
1067	342,6	83,8	7,1	561,8	433,0	277,2	484,6	551,2
1068	340,1	84,6	7,1	560,5	432,8	277,2	480,4	549,9
1069	338,8	83,7	7,0	559,2	432,5	277,1	476,6	548,3
1070	336,6	83,5	6,9	558,1	432,1	277,1	473,8	546,8
1071	334,4	83,8	6,9	557,0	431,8	277,1	470,6	545,3
1072	332,0	84,0	6,9	555,9	431,5	277,0	467,0	543,6
1073	329,1	84,2	6,9	554,8	431,1	277,0	463,9	542,2
1074	326,0	83,8	6,8	553,6	430,7	276,9	460,1	540,5
1075	324,3	83,1	6,8	552,2	430,2	276,8	457,8	538,8
1076	323,1	82,1	6,7	550,7	429,7	276,8	455,0	537,1
1077	320,8	83,0	6,7	549,0	429,0	276,8	452,4	535,1
1078	318,7	82,9	6,7	547,2	428,4	276,8	449,4	533,2
1079	317,6	83,5	6,6	545,2	427,8	276,7	446,5	531,0
1080	315,2	83,4	6,6	543,2	427,2	276,6	443,8	528,7
1081	313,4	83,2	6,6	541,3	426,5	276,6	440,9	526,6
1082	311,6	83,4	6,5	539,2	425,8	276,6	438,2	524,3
1083	310,3	83,4	6,5	537,2	425,1	276,6	435,1	521,9
1084	308,2	83,2	6,4	535,3	424,3	276,6	431,8	519,5
1085	305,1	83,8	6,4	533,2	423,5	276,6	428,9	517,0
1086	303,7	83,1	6,3	531,0	422,6	276,6	426,1	514,5
1087	301,0	82,5	6,3	528,7	421,6	276,6	422,8	511,9
1088	300,6	82,5	6,3	526,5	420,6	276,6	420,5	509,3
1089	299,9	82,7	6,3	524,4	419,6	276,5	417,9	506,8
1090	299,0	83,5	6,2	522,6	418,6	276,5	415,7	504,5
1091	295,6	83,0	6,2	521,0	417,7	276,5	412,9	502,2
1092	293,4	83,5	6,1	519,1	416,8	276,5	409,7	500,0
1093	291,0	83,2	6,1	516,6	415,8	276,5	406,1	497,7
1094	289,5	83,2	6,1	513,9	414,7	276,4	403,1	495,4
1095	287,7	83,3	6,1	511,1	413,5	276,4	399,7	493,0
1096	285,7	83,5	6,0	508,4	412,4	276,3	396,1	490,6
1097	284,6	82,6	6,0	505,7	411,2	276,2	393,2	488,3
1098	282,9	82,6	6,0	503,1	410,0	276,1	390,0	486,1
1099	281,4	83,1	6,0	500,7	408,8	276,1	387,3	483,9
1100	279,9	83,0	6,0	498,4	407,6	276,0	384,2	481,7
1101	278,1	82,1	6,0	496,2	406,4	275,9	381,2	479,5
1102	276,9	83,1	5,9	494,2	405,1	275,8	378,4	477,4
1103	276,0	83,1	5,9	492,2	403,9	275,8	375,8	475,4
1104	275,3	83,4	5,9	490,4	402,8	275,7	373,4	473,4
1105	273,9	83,2	5,8	488,7	401,7	275,6	371,4	471,6
1106	272,9	83,3	5,8	487,0	400,6	275,5	369,5	469,9
1107	272,0	82,6	5,8	485,4	399,6	275,5	367,6	468,3
1108	270,3	83,0	5,7	483,9	398,5	275,4	365,9	466,7
1109	269,7	82,8	5,7	482,4	397,5	275,4	364,2	465,3
1110	269,0	83,2	5,7	480,9	396,6	275,4	362,6	463,9
1111	267,9	83,2	5,7	479,5	395,6	275,4	361,0	462,6
1112	267,3	82,8	5,7	478,2	394,8	275,4	359,6	461,3
1113	266,6	82,7	5,7	477,0	393,9	275,3	358,2	460,2

Aging PI-20221

1114	265,8	82,5	5,6	475,8	393,1	275,3	356,9	459,1
1115	265,1	82,6	5,6	474,7	392,3	275,3	355,5	458,1
1116	264,7	82,3	5,6	473,5	391,4	275,3	353,6	457,0
1117	263,7	82,1	5,5	472,6	390,8	275,2	352,8	456,0
1118	262,8	82,2	5,5	471,6	390,1	275,2	351,7	455,1
1119	261,7	82,3	5,5	470,7	389,3	275,2	350,5	454,3
1120	261,9	82,2	5,5	469,8	388,8	275,1	349,5	453,4
1121	261,5	81,8	5,5	469,0	388,1	275,1	348,5	452,5
1122	260,6	83,1	5,4	468,1	387,5	275,1	347,9	451,7
1123	260,5	81,6	5,4	467,3	386,9	275,1	346,8	450,9
1124	259,2	81,8	5,4	466,6	386,3	275,1	346,2	450,3
1125	259,0	82,2	5,4	465,9	385,8	275,2	345,6	449,5
1126	258,8	82,6	5,4	465,3	385,2	275,2	345,1	449,0
1127	258,5	82,9	5,4	464,7	384,8	275,3	344,5	448,3
1128	258,4	82,6	5,3	464,2	384,3	275,3	343,9	447,8
1129	258,1	82,3	5,3	463,6	383,9	275,4	343,6	447,1
1130	257,8	81,3	5,3	463,2	383,4	275,5	343,0	446,6
1131	257,4	82,2	5,2	462,8	383,1	275,6	342,7	446,0
1132	257,1	82,2	5,2	462,5	382,6	275,6	342,2	445,5
1133	256,6	82,4	5,2	462,1	382,3	275,7	341,8	445,0
1134	256,5	82,2	5,2	461,6	381,9	275,8	341,5	444,6
1135	255,6	82,5	5,2	461,2	381,5	275,9	341,0	444,2
1136	255,3	82,3	5,2	460,8	381,2	276,0	340,5	443,7
1137	254,6	82,2	5,2	460,3	380,9	276,2	339,9	443,4
1138	254,6	81,6	5,2	459,8	380,5	276,2	339,7	442,9
1139	254,8	81,6	5,1	459,5	380,3	276,3	339,2	442,5
1140	254,4	82,3	5,1	459,1	380,0	276,4	338,6	442,1
1141	254,5	81,8	5,1	458,7	379,8	276,6	338,4	441,7
1142	254,2	81,6	5,1	458,4	379,4	276,7	337,5	441,3
1143	253,2	80,9	5,0	458,1	379,1	276,8	337,6	440,9
1144	253,4	81,0	5,0	457,8	378,9	276,8	337,0	440,6
1145	253,9	81,6	5,0	457,6	378,6	276,9	336,7	440,3
1146	253,8	81,3	5,0	457,4	378,4	277,0	336,6	440,0
1147	253,3	80,8	5,0	457,2	378,1	277,0	335,9	439,8
1148	253,0	80,9	4,9	457,0	377,9	277,1	335,9	439,5
1149	253,4	81,2	4,9	456,8	377,6	277,1	336,1	439,2
1150	253,3	81,6	4,9	456,6	377,5	277,2	336,0	439,0
1151	252,9	81,2	4,9	456,3	377,2	277,3	335,6	438,7
1152	252,4	81,0	4,8	456,1	377,0	277,4	335,3	438,4
1153	252,2	81,0	4,8	455,9	376,8	277,6	335,0	438,2
1154	252,1	81,6	4,8	455,6	376,7	277,7	334,5	437,9
1155	252,0	81,4	4,8	455,4	376,6	277,8	334,5	437,6
1156	251,7	80,8	4,7	455,3	376,4	278,0	334,4	437,3
1157	251,6	81,5	4,7	455,0	376,2	278,2	333,6	437,0
1158	251,2	81,5	4,7	454,9	376,0	278,3	333,6	436,9
1159	251,3	81,5	4,7	454,7	375,9	278,3	333,3	436,6
1160	250,7	81,1	4,7	454,7	375,7	278,4	333,1	436,4
1161	250,0	81,0	4,7	454,6	375,4	278,5	332,7	436,2
1162	249,8	80,3	4,6	454,4	375,2	278,6	332,3	435,9
1163	249,7	80,4	4,6	454,2	374,9	278,7	332,0	435,7
1164	249,7	80,9	4,6	454,0	374,6	278,8	332,0	435,5
1165	249,7	80,7	4,6	453,8	374,3	278,8	331,7	435,3
1166	249,4	80,6	4,6	453,6	374,0	279,0	331,6	435,1
1167	249,8	80,8	4,5	453,4	373,8	279,1	331,8	434,9
1168	249,6	81,4	4,5	453,2	373,4	279,3	331,0	434,6
1169	249,4	81,1	4,5	453,0	373,1	279,4	331,0	434,4
1170	249,8	81,1	4,5	452,9	372,8	279,5	330,6	434,2
1171	249,5	79,9	4,4	452,9	372,5	279,5	330,6	434,2
1172	249,4	80,3	4,5	452,7	372,1	279,7	330,4	434,1
1173	249,6	79,4	4,4	452,5	371,9	279,9	329,9	433,9
1174	249,7	80,8	4,4	452,5	371,6	280,1	329,9	433,9
1175	249,5	81,0	4,4	452,5	371,3	280,3	329,9	433,8
1176	249,6	80,6	4,4	452,4	371,1	280,3	330,5	433,8
1177	249,1	79,9	4,4	452,4	370,9	280,5	329,7	433,7
1178	249,3	80,5	4,3	452,1	370,6	280,7	330,4	433,6
1179	249,4	81,1	4,3	452,0	370,4	280,8	330,6	433,5
1180	248,8	81,0	4,3	451,8	370,1	280,9	330,7	433,5
1181	248,9	80,7	4,3	451,7	369,9	281,1	331,1	433,5
1182	249,4	80,6	4,3	451,6	369,6	281,2	331,5	433,5
1183	249,1	81,0	4,2	451,4	369,4	281,4	331,3	433,4
1184	249,4	80,2	4,2	451,3	369,1	281,6	331,5	433,3
1185	249,4	80,2	4,2	451,3	368,8	281,7	331,8	433,3
1186	249,0	80,2	4,2	451,2	368,6	281,9	331,7	433,4
1187	249,6	79,9	4,2	451,1	368,3	281,9	331,3	433,3
1188	248,9	80,0	4,1	451,0	368,0	282,1	331,7	433,3
1189	248,7	80,3	4,1	450,8	367,8	282,3	331,6	433,3
1190	249,1	80,0	4,1	450,8	367,5	282,5	332,1	433,3
1191	249,7	80,5	4,1	450,9	367,3	282,6	332,3	433,5
1192	249,7	80,4	4,1	450,9	367,1	282,7	331,9	433,5
1193	249,7	79,3	4,1	450,8	366,9	282,9	331,7	433,5
1194	249,7	80,8	4,0	450,9	366,7	283,1	331,8	433,5
1195	249,9	81,0	4,0	451,0	366,6	283,3	332,2	433,5
1196	249,9	80,5	3,9	451,1	366,5	283,4	331,7	433,7
1197	250,1	81,1	3,9	451,3	366,3	283,6	331,8	433,7
1198	249,9	81,6	3,9	451,5	366,2	283,8	331,5	433,9
1199	249,5	81,1	3,9	452,0	366,2	283,9	332,2	434,1
1200	249,8	81,4	3,8	452,4	366,1	284,0	332,1	434,1
1201	250,2	81,0	3,8	452,9	366,1	284,1	332,4	434,3
1202	250,8	81,0	3,8	453,4	366,1	284,3	332,6	434,4
1203	251,0	81,6	3,8	453,9	366,0	284,4	332,9	434,5
1204	251,0	81,9	3,7	454,3	366,0	284,6	333,1	434,7
1205	251,4	81,4	3,7	454,7	366,0	284,7	333,2	434,8
1206	251,4	81,7	3,8	455,2	365,9	284,9	333,2	434,8

Aging PI-20221

1207	251,1	82,0	3,7	455,6	366,0	285,1	333,7	435,0
1208	251,3	82,4	3,7	456,0	365,9	285,2	333,4	435,0
1209	251,5	82,9	3,6	456,3	366,0	285,4	333,6	435,1
1210	251,5	82,4	3,6	456,7	366,0	285,6	334,2	435,2
1211	251,7	81,9	3,6	457,0	366,0	285,7	334,2	435,3
1212	251,8	82,3	3,6	457,4	366,1	285,8	334,1	435,5
1213	252,2	82,2	3,6	457,7	366,2	285,9	334,1	435,7
1214	251,4	82,7	3,5	458,0	366,2	286,0	334,2	436,0
1215	251,6	82,5	3,5	458,4	366,4	286,2	334,3	436,1
1216	251,2	81,3	3,5	458,6	366,5	286,3	334,1	436,3
1217	251,4	81,6	3,5	458,7	366,6	286,3	334,4	436,3
1218	251,4	81,5	3,5	458,9	366,7	286,5	334,4	436,2
1219	251,0	82,2	3,5	458,9	366,8	286,5	334,5	436,2
1220	251,3	82,6	3,4	459,1	366,9	286,6	334,6	436,3
1221	251,2	81,9	3,4	459,1	367,0	286,7	334,7	436,3
1222	252,0	81,7	3,4	459,2	367,1	286,9	334,9	436,3
1223	251,4	82,0	3,4	459,3	367,3	287,0	334,7	436,3
1224	251,3	81,9	3,4	459,3	367,3	287,2	335,0	436,3
1225	251,5	81,6	3,3	459,3	367,5	287,3	334,8	436,3
1226	251,3	81,9	3,3	459,2	367,7	287,5	334,8	436,3
1227	251,4	81,9	3,3	459,2	367,9	287,6	334,9	436,3
1228	251,0	81,9	3,2	459,2	368,0	287,8	334,6	436,2
1229	251,4	81,9	3,2	459,2	368,1	287,9	334,7	436,1
1230	251,4	81,7	3,2	459,2	368,3	288,0	334,3	436,1
1231	252,1	81,6	3,2	459,1	368,6	288,1	333,9	435,9
1232	252,0	81,7	3,1	459,2	368,7	288,2	334,0	435,9
1233	251,8	81,7	3,1	459,3	368,9	288,3	333,9	435,8
1234	251,5	81,7	3,2	459,4	369,1	288,4	334,0	435,6
1235	251,6	81,8	3,1	459,6	369,3	288,5	333,7	435,6
1236	251,4	82,2	3,1	459,7	369,5	288,6	334,0	435,5
1237	252,2	81,8	3,1	459,9	369,8	288,7	333,8	435,4
1238	251,9	81,9	3,1	460,1	370,0	288,7	333,3	435,4
1239	251,6	81,6	3,1	460,4	370,2	288,8	333,4	435,3
1240	251,9	82,4	3,0	460,7	370,5	288,9	333,2	435,3
1241	251,9	81,8	3,0	460,9	370,7	289,0	333,4	435,3
1242	252,1	81,9	3,0	461,0	371,1	289,1	333,0	435,3
1243	251,6	81,7	3,0	461,2	371,3	289,1	332,4	435,2
1244	251,7	81,5	3,0	461,4	371,7	289,2	332,1	435,1
1245	251,3	81,7	2,9	461,6	372,0	289,4	331,7	435,1
1246	250,5	82,3	2,9	461,7	372,3	289,5	331,9	435,0
1247	250,7	82,0	2,8	461,8	372,7	289,6	331,7	435,0
1248	250,4	81,9	2,8	461,8	373,0	289,7	331,2	434,8
1249	250,4	81,4	2,8	461,7	373,3	289,8	331,3	434,7
1250	250,6	81,4	2,8	461,7	373,6	289,9	331,3	434,6
1251	250,4	81,4	2,8	461,6	373,9	290,0	331,3	434,5
1252	249,9	81,5	2,8	461,4	374,2	290,1	332,0	434,5
1253	249,8	81,3	2,7	461,0	374,5	290,2	331,8	434,4
1254	249,3	81,5	2,7	460,6	374,8	290,2	332,1	434,3
1255	248,9	81,3	2,7	460,2	375,1	290,2	331,9	434,2
1256	248,8	81,6	2,7	459,7	375,3	290,3	332,0	434,1
1257	248,0	82,1	2,7	459,3	375,6	290,3	332,2	433,9
1258	248,2	82,1	2,7	458,7	375,9	290,4	331,8	433,9
1259	247,8	81,9	2,7	458,2	376,1	290,4	331,8	433,7
1260	247,8	81,7	2,6	457,6	376,4	290,5	331,7	433,5
1261	247,5	81,7	2,6	457,1	376,5	290,5	331,5	433,4
1262	247,4	81,6	2,6	456,6	376,6	290,6	331,4	433,1
1263	247,2	81,8	2,6	455,9	376,5	290,6	330,8	432,8
1264	247,1	81,6	2,6	455,3	376,5	290,6	330,7	432,4
1265	246,7	81,8	2,5	454,7	376,3	290,6	330,2	432,0
1266	246,4	81,3	2,5	454,1	376,0	290,6	329,9	431,6
1267	245,9	81,4	2,5	453,5	375,7	290,6	329,5	431,1
1268	245,4	81,3	2,5	452,9	375,4	290,5	328,9	430,6
1269	245,5	81,4	2,5	452,3	375,1	290,5	328,5	430,1
1270	245,6	81,7	2,5	451,8	374,6	290,5	328,2	429,7
1271	245,2	81,7	2,5	451,2	374,3	290,4	327,6	429,2
1272	245,3	81,2	2,4	450,6	373,9	290,3	327,2	428,6
1273	244,8	80,7	2,5	450,0	373,4	290,3	326,8	428,0
1274	244,4	81,1	2,4	449,6	373,0	290,2	326,5	427,5
1275	244,2	81,0	2,4	449,2	372,5	290,1	326,2	427,2
1276	244,1	81,3	2,4	448,7	372,2	290,0	325,4	426,7
1277	243,3	81,2	2,3	448,3	371,8	289,9	325,0	426,3
1278	243,3	81,3	2,4	448,0	371,4	289,7	324,7	425,9
1279	243,0	81,0	2,3	447,6	371,0	289,5	324,0	425,5
1280	242,8	81,2	2,3	447,2	370,6	289,4	323,4	425,0
1281	242,5	81,0	2,3	446,7	370,3	289,3	323,5	424,5
1282	242,8	81,2	2,3	446,3	369,9	289,1	322,9	424,1
1283	242,7	81,2	2,2	446,0	369,5	289,0	322,5	423,6
1284	242,4	81,5	2,2	445,6	369,2	288,8	322,0	423,2
1285	242,0	80,8	2,2	445,2	368,9	288,7	321,9	422,8
1286	241,8	81,1	2,2	444,9	368,6	288,5	321,4	422,3
1287	241,4	81,2	2,2	444,6	368,3	288,3	320,7	421,9
1288	241,4	80,7	2,2	444,2	368,0	288,2	320,5	421,4
1289	241,2	80,6	2,1	443,9	367,7	288,1	320,1	420,9
1290	240,6	80,8	2,1	443,6	367,5	287,9	319,4	420,4
1291	240,3	80,8	2,1	443,2	367,2	287,8	319,3	419,9
1292	240,1	81,0	2,1	442,7	366,9	287,6	318,6	419,4
1293	239,8	80,5	2,1	442,3	366,7	287,6	318,2	418,9
1294	239,3	80,3	2,1	441,8	366,5	287,4	318,0	418,3
1295	239,2	80,6	2,1	441,4	366,3	287,3	317,5	417,6
1296	238,7	80,6	2,0	441,0	366,0	287,1	316,9	416,9
1297	237,9	80,4	2,0	440,5	365,8	287,0	316,4	416,3
1298	237,8	80,1	2,0	440,1	365,5	286,9	316,1	415,6
1299	237,2	80,9	2,0	439,6	365,3	286,8	315,8	414,8

Aging PI-20221

1300	236,9	80,7	2,0	439,1	365,1	286,6	315,3	414,1
1301	236,7	80,3	2,0	438,7	364,8	286,5	315,1	413,4
1302	236,9	80,2	2,0	438,2	364,6	286,4	314,5	412,8
1303	236,4	80,3	1,9	437,7	364,4	286,2	314,1	412,1
1304	236,2	80,4	1,9	437,1	364,2	286,0	313,6	411,4
1305	235,8	80,5	1,9	436,7	364,0	285,9	313,6	410,7
1306	235,4	80,3	1,9	436,2	363,7	285,7	313,3	410,1
1307	235,2	80,2	1,9	435,7	363,6	285,5	312,7	409,5
1308	234,9	80,2	1,8	435,0	363,4	285,3	311,9	408,9
1309	234,5	80,0	1,8	434,4	363,1	285,2	311,6	408,2
1310	234,1	80,1	1,8	433,7	362,9	285,0	311,1	407,6
1311	233,9	80,0	1,8	433,1	362,7	284,9	310,7	407,0
1312	233,7	79,7	1,8	432,4	362,5	284,7	310,3	406,4
1313	233,3	79,9	1,7	431,7	362,2	284,6	309,7	405,7
1314	233,1	80,3	1,7	431,1	361,9	284,4	309,2	405,1
1315	233,2	80,3	1,7	430,4	361,6	284,3	308,6	404,4
1316	232,7	80,2	1,8	429,8	361,2	284,1	308,2	403,8
1317	232,1	79,5	1,7	429,1	361,0	283,9	307,4	403,2
1318	231,9	79,7	1,7	428,5	360,7	283,7	307,1	402,6
1319	231,4	79,6	1,7	428,0	360,4	283,5	306,6	402,0
1320	231,2	80,1	1,7	427,5	360,1	283,3	306,2	401,4
1321	231,2	79,4	1,7	426,9	359,8	283,2	305,8	400,8
1322	230,9	79,6	1,6	426,4	359,5	283,0	305,4	400,3
1323	230,5	79,7	1,6	425,9	359,1	282,9	305,2	399,7
1324	230,5	79,5	1,6	425,3	358,9	282,8	304,9	399,1
1325	230,1	79,2	1,6	424,8	358,5	282,6	304,4	398,5
1326	229,6	79,7	1,6	424,2	358,2	282,4	304,2	397,8
1327	229,6	79,5	1,6	423,7	357,9	282,3	303,8	397,3
1328	229,1	79,5	1,6	423,1	357,5	282,2	303,4	396,7
1329	229,1	79,3	1,6	422,5	357,3	282,0	303,1	396,1
1330	228,4	79,3	1,6	421,8	356,9	281,9	302,7	395,5
1331	228,4	79,4	1,5	421,2	356,6	281,7	302,5	395,0
1332	228,2	79,2	1,5	420,6	356,3	281,6	302,0	394,4
1333	228,0	79,3	1,5	420,0	356,0	281,4	301,7	393,9
1334	227,9	79,7	1,5	419,4	355,7	281,3	301,6	393,3
1335	227,5	79,1	1,5	418,8	355,4	281,2	301,1	392,7
1336	227,1	79,3	1,5	418,2	355,1	281,0	300,8	392,1
1337	226,9	79,1	1,5	417,7	354,8	280,8	300,3	391,6
1338	226,5	79,3	1,4	417,1	354,5	280,6	300,2	391,0
1339	226,3	78,9	1,5	416,5	354,3	280,5	299,6	390,4
1340	226,3	79,2	1,4	415,9	354,0	280,3	299,4	389,9
1341	226,0	79,2	1,5	415,3	353,8	280,1	299,1	389,3
1342	225,8	78,8	1,4	414,7	353,5	280,0	299,0	388,8
1343	225,8	79,1	1,4	414,2	353,3	279,8	298,5	388,4
1344	225,5	79,1	1,4	413,7	353,1	279,7	298,4	387,8
1345	225,3	79,0	1,3	413,1	352,9	279,6	298,3	387,3
1346	225,0	79,3	1,3	412,7	352,7	279,4	297,8	386,9
1347	224,8	78,8	1,3	412,2	352,5	279,3	297,7	386,4
1348	224,6	78,7	1,3	411,6	352,2	279,1	297,5	385,8
1349	224,5	79,0	1,2	411,1	352,0	278,9	297,1	385,3
1350	224,6	78,7	1,3	410,6	351,8	278,7	297,0	384,9
1351	224,6	79,0	1,2	410,1	351,6	278,5	296,6	384,5
1352	224,1	78,7	1,2	409,7	351,5	278,3	296,7	384,1
1353	224,0	78,9	1,2	409,2	351,3	278,2	296,3	383,6
1354	223,8	79,2	1,2	408,8	351,1	278,1	295,7	383,3
1355	223,7	78,7	1,2	408,3	351,0	278,0	295,2	382,8
1356	223,6	79,1	1,2	407,8	350,9	277,8	295,1	382,5
1357	223,3	78,5	1,2	407,3	350,8	277,6	295,6	382,0
1358	223,7	78,8	1,2	406,9	350,7	277,5	295,5	381,6
1359	223,7	78,7	1,2	406,5	350,6	277,4	295,0	381,3
1360	223,3	78,6	1,1	406,1	350,3	277,3	294,7	381,0
1361	223,3	78,9	1,1	405,7	350,3	277,1	294,4	380,5
1362	223,1	78,5	1,1	405,2	350,2	277,0	294,1	380,2
1363	223,2	78,3	1,1	404,7	350,1	276,8	294,1	379,8
1364	223,0	78,9	1,0	404,4	350,0	276,7	293,9	379,5
1365	223,3	78,6	1,0	404,1	349,9	276,7	293,9	379,1
1366	222,8	78,4	1,0	403,7	349,8	276,6	293,7	378,8
1367	222,7	78,3	1,0	403,4	349,8	276,5	293,5	378,3
1368	222,8	78,3	1,0	403,1	349,8	276,4	293,5	377,9
1369	222,9	78,2	1,0	402,8	349,7	276,3	293,3	377,6
1370	222,5	78,2	1,0	402,4	349,7	276,2	292,8	377,0
1371	222,6	78,3	1,0	402,2	349,7	276,1	292,6	376,7
1372	221,8	78,3	0,9	402,0	349,7	276,0	292,4	376,4
1373	221,8	78,6	0,9	401,7	349,7	275,9	292,2	375,9
1374	221,7	78,9	0,9	401,6	349,8	275,9	292,2	375,6
1375	221,5	78,5	0,9	401,3	349,8	275,8	292,2	375,2
1376	221,3	78,9	0,9	401,1	349,8	275,7	292,2	374,9
1377	221,2	78,6	0,9	400,8	349,9	275,6	292,0	374,7
1378	220,8	78,1	0,8	400,6	350,0	275,5	292,0	374,3
1379	220,7	78,6	0,8	400,3	350,0	275,4	291,4	374,0
1380	220,7	78,3	0,8	399,9	349,9	275,3	291,5	373,6
1381	220,7	78,0	0,8	399,7	349,8	275,2	291,3	373,3
1382	220,1	78,3	0,8	399,3	349,7	275,0	290,9	372,8
1383	219,7	78,5	0,8	399,1	349,5	274,9	290,5	372,5
1384	219,8	78,3	0,8	398,8	349,2	274,8	290,2	372,1
1385	219,6	78,2	0,7	398,5	349,0	274,7	290,0	371,5
1386	219,4	78,0	0,7	398,2	348,7	274,5	289,7	371,1
1387	219,0	78,0	0,7	398,0	348,5	274,4	289,3	370,7
1388	218,7	78,5	0,7	397,8	348,1	274,3	289,0	370,2
1389	218,8	78,1	0,7	397,6	347,9	274,1	288,8	369,7
1390	218,5	78,5	0,7	397,3	347,6	273,9	288,5	369,1
1391	218,4	78,1	0,7	397,1	347,3	273,8	288,3	368,6
1392	218,1	78,3	0,6	396,8	346,9	273,6	287,7	368,1

Aging PI-20221

1393	218,3	78,6	0,7	396,7	346,6	273,5	287,9	367,7
1394	218,4	78,5	0,6	396,6	346,3	273,3	287,4	367,2
1395	218,1	78,1	0,6	396,3	346,1	273,0	287,3	366,7
1396	218,4	78,2	0,6	396,2	345,8	272,8	287,0	366,2
1397	218,0	78,4	0,6	396,2	345,5	272,6	286,7	365,7
1398	217,9	77,9	0,6	396,0	345,3	272,4	286,5	365,3
1399	217,6	78,0	0,6	395,9	345,0	272,2	286,3	364,8
1400	217,2	78,8	0,6	395,7	344,7	271,9	286,2	364,3
1401	217,1	78,2	0,6	395,6	344,4	271,8	286,0	363,9
1402	217,4	78,2	0,5	395,4	344,2	271,5	285,7	363,4
1403	217,1	78,4	0,5	395,3	344,0	271,4	285,0	363,0
1404	217,0	77,8	0,5	395,0	343,8	271,1	285,0	362,5
1405	216,8	78,1	0,5	394,8	343,6	270,8	285,0	362,1
1406	216,1	78,2	0,5	394,7	343,4	270,6	284,7	361,7
1407	216,1	77,8	0,5	394,5	343,2	270,4	284,1	361,2
1408	215,9	77,9	0,5	394,3	343,1	270,2	284,1	360,8
1409	215,9	78,1	0,4	394,2	342,9	270,0	284,1	360,4
1410	215,7	78,2	0,5	394,0	342,7	269,7	283,7	360,0
1411	215,2	78,2	0,4	393,9	342,7	269,5	283,3	359,5
1412	214,8	78,6	0,4	393,7	342,5	269,4	282,9	359,1
1413	214,8	77,8	0,4	393,4	342,4	269,1	281,9	358,6
1414	214,7	77,7	0,4	393,1	342,2	268,9	281,9	358,0
1415	214,2	77,9	0,4	392,9	342,0	268,6	281,5	357,5
1416	213,9	77,6	0,3	392,6	341,9	268,4	281,3	356,9
1417	213,3	77,4	0,4	392,3	341,7	268,2	280,9	356,3
1418	213,2	77,5	0,3	392,1	341,5	268,0	280,5	355,9
1419	213,4	77,5	0,3	391,8	341,3	267,9	280,4	355,3
1420	213,0	78,0	0,3	391,5	341,1	267,7	279,6	354,8
1421	212,8	77,8	0,3	391,2	340,9	267,5	279,6	354,3
1422	212,6	77,6	0,3	390,7	340,7	267,3	279,0	353,7
1423	212,6	78,1	0,3	390,2	340,5	267,1	278,7	353,2
1424	212,2	77,6	0,2	389,7	340,3	266,9	278,6	352,6
1425	212,2	78,2	0,3	389,2	340,2	266,6	278,0	352,0
1426	212,3	77,9	0,3	388,7	339,9	266,4	277,8	351,6
1427	211,9	78,4	0,2	388,1	339,7	266,1	277,5	351,0
1428	211,4	77,6	0,2	387,6	339,5	266,0	277,2	350,4
1429	211,2	77,6	0,2	387,2	339,3	265,9	276,7	349,7
1430	211,0	78,0	0,2	386,8	339,1	265,6	276,6	349,2
1431	210,9	77,8	0,2	386,3	338,9	265,4	276,5	348,6
1432	211,0	77,6	0,2	385,9	338,8	265,2	276,0	348,0
1433	210,8	77,5	0,2	385,5	338,6	265,1	275,4	347,5
1434	210,7	77,4	0,1	385,1	338,4	264,9	275,7	347,0
1435	210,0	77,9	0,1	384,9	338,2	264,6	275,3	346,6
1436	210,1	78,0	0,1	384,7	338,1	264,4	274,7	346,1
1437	210,1	77,9	0,1	384,3	338,0	264,2	274,4	345,6
1438	209,8	77,4	0,1	383,8	337,8	264,0	273,8	345,2
1439	209,3	78,2	0,1	383,4	337,7	263,9	273,7	344,6
1440	209,6	77,5	0,0	382,9	337,6	263,7	272,8	344,3
1441	70,5	70,1	11,5	68,5	68,4	68,1	70,4	68,7
1442	107,9	70,1	11,3	68,7	68,4	68,1	73,2	68,7
1443	225,6	70,1	11,2	71,7	68,6	68,1	93,8	69,9
1444	393,4	70,2	10,8	80,1	69,2	68,2	137,8	74,4
1445	531,0	70,5	10,6	93,5	70,3	68,1	235,0	83,4
1446	640,5	71,0	10,3	111,4	72,6	68,1	332,8	98,4
1447	657,1	71,4	9,9	130,7	77,5	68,1	440,6	115,5
1448	686,9	72,2	9,6	148,8	84,5	68,2	513,0	131,8
1449	690,8	72,5	9,2	167,8	92,6	68,2	571,1	146,1
1450	703,4	72,6	8,9	186,9	101,6	68,2	624,7	161,0
1451	714,2	73,4	8,5	206,1	110,9	68,3	670,6	176,5
1452	731,5	74,5	8,1	224,9	120,5	68,5	709,7	191,6
1453	745,0	74,8	7,8	243,7	130,9	68,6	743,7	207,0
1454	754,1	75,4	7,4	263,1	141,7	68,9	773,3	222,7
1455	747,7	75,6	7,0	282,4	151,9	69,3	799,7	238,6
1456	744,4	75,6	6,7	301,0	159,5	69,8	823,1	254,6
1457	730,2	76,4	6,5	319,0	167,1	70,4	844,0	270,8
1458	714,9	76,6	6,1	336,5	175,6	71,2	852,8	286,5
1459	695,6	76,4	6,0	353,1	184,3	72,1	845,8	301,4
1460	676,3	76,1	5,7	368,8	193,0	73,3	831,1	315,3
1461	663,1	76,3	5,5	383,8	201,4	74,6	814,0	328,4
1462	649,7	76,4	5,3	398,3	209,8	76,2	798,5	340,7
1463	639,9	76,4	5,1	412,1	218,2	78,0	782,5	352,2
1464	641,8	76,6	4,9	425,4	226,1	80,0	771,2	363,2
1465	641,6	76,6	4,7	438,4	233,8	82,2	761,1	373,9
1466	637,8	76,5	4,5	451,4	241,5	84,5	751,9	384,5
1467	629,3	76,5	4,3	464,2	249,1	86,9	741,0	395,1
1468	615,9	76,6	4,1	476,6	256,7	89,4	729,0	405,3
1469	599,3	75,8	4,0	488,5	264,2	92,1	716,1	415,1
1470	590,2	75,8	3,8	499,5	271,7	94,8	704,5	424,3
1471	577,1	76,3	3,7	510,1	278,9	97,7	693,5	432,9
1472	568,8	76,5	3,6	520,2	286,1	100,4	681,1	440,8
1473	627,8	77,6	29,5	530,3	294,3	103,6	678,9	448,8
1474	623,2	76,0	29,1	535,1	302,8	106,8	679,8	455,8
1475	632,7	76,5	28,8	534,8	308,4	110,0	685,9	461,1
1476	647,6	76,5	28,5	531,6	312,1	113,3	692,8	463,8
1477	659,7	77,5	28,2	527,9	314,1	116,6	699,8	465,3
1478	669,7	76,6	27,9	525,2	314,8	119,8	707,2	466,5
1479	674,9	76,5	27,6	523,4	314,9	122,9	716,0	468,0
1480	685,6	76,6	27,3	522,7	314,6	125,9	728,8	469,7
1481	693,1	76,9	27,0	522,6	314,1	128,5	741,1	471,4
1482	697,6	77,6	26,7	523,3	313,4	131,0	752,1	473,4
1483	701,3	78,4	26,4	524,5	312,8	133,5	762,0	475,7
1484	701,6	77,4	26,1	526,1	312,2	135,7	770,8	478,3
1485	703,8	77,8	25,8	528,1	311,6	137,9	778,2	481,2

21-20-22-23

21-20-22-23-21

1486	704,5	78,6	25,5	530,4	311,2	140,0	784,4	484,4
1487	704,5	78,2	25,2	532,9	311,0	141,8	790,8	487,8
1488	706,9	78,3	24,9	535,7	310,7	143,7	796,6	491,6
1489	707,0	78,4	24,5	538,7	310,6	145,6	801,3	495,3
1490	709,6	78,6	24,2	541,7	310,5	147,3	805,9	499,1
1491	717,0	79,0	24,0	544,8	310,5	148,9	811,3	502,8
1492	724,8	78,9	23,6	548,1	310,5	150,4	818,2	506,4
1493	729,1	78,4	23,3	551,6	310,8	151,9	822,9	510,1
1494	732,1	78,8	23,0	555,0	311,1	153,4	828,4	513,8
1495	736,7	79,2	22,6	558,5	311,5	154,8	833,6	517,6
1496	739,7	79,3	22,3	562,2	312,1	156,2	838,9	521,7
1497	742,2	79,1	22,0	566,2	312,7	157,6	844,8	525,9
1498	743,0	81,0	21,7	570,3	313,5	159,0	848,5	530,3
1499	742,2	79,5	21,3	574,7	314,4	160,3	850,5	534,9
1500	744,1	80,0	21,1	579,0	315,5	161,7	855,1	539,4
1501	743,5	79,5	20,7	583,3	316,7	163,1	858,0	544,0
1502	741,4	80,0	20,4	587,5	318,0	164,5	860,0	548,6
1503	737,4	81,2	20,1	591,7	319,4	166,0	861,6	553,1
1504	736,5	80,1	19,8	595,8	320,8	167,4	862,8	557,7
1505	734,6	80,2	19,6	599,7	322,3	168,9	864,2	562,3
1506	733,3	80,2	19,2	603,6	323,7	170,5	863,6	566,9
1507	728,2	80,0	19,0	607,5	325,3	172,0	863,0	571,6
1508	729,1	79,3	18,6	611,4	326,8	173,5	864,0	576,2
1509	728,4	80,1	18,4	615,2	328,4	175,0	863,5	581,0
1510	727,5	80,4	18,1	619,0	330,0	176,4	863,9	585,9
1511	729,8	80,0	17,7	622,7	331,7	177,9	866,0	590,5
1512	728,9	80,9	17,5	626,5	333,5	179,4	867,4	595,0
1513	725,9	81,3	17,2	630,2	335,3	180,9	868,8	599,3
1514	726,8	80,3	16,9	633,8	337,2	182,5	869,5	603,4
1515	728,3	82,3	16,6	637,4	339,1	184,1	870,4	607,3
1516	727,0	80,9	16,3	640,9	340,9	185,7	870,9	611,1
1517	727,9	80,9	16,0	644,3	342,9	187,2	871,8	614,7
1518	727,1	81,0	15,8	647,7	344,8	188,9	871,3	618,3
1519	728,6	80,4	15,5	651,0	346,8	190,4	872,2	621,8
1520	732,1	80,9	15,2	654,4	348,9	192,1	872,4	625,3
1521	733,6	81,3	14,9	657,8	350,9	193,7	874,2	628,6
1522	734,9	82,7	14,6	661,1	353,1	195,3	873,7	631,9
1523	735,0	81,4	14,3	664,1	355,3	197,1	875,9	634,8
1524	732,3	82,4	14,1	667,3	357,5	198,9	874,8	637,7
1525	731,1	81,6	13,8	670,8	359,7	200,5	878,1	640,8
1526	734,9	82,0	13,5	674,4	362,1	202,2	879,3	644,0
1527	736,9	81,4	13,3	678,0	364,6	203,9	884,1	647,3
1528	739,6	82,2	13,0	681,6	367,4	205,8	887,8	650,5
1529	738,0	81,9	12,7	685,2	370,0	207,5	891,1	653,7
1530	743,3	82,3	12,5	688,6	372,8	209,3	892,4	656,8
1531	743,2	82,3	12,2	691,8	375,5	211,2	895,3	659,8
1532	740,9	82,9	11,9	694,9	378,4	213,0	900,3	662,6
1533	734,8	82,8	11,7	698,0	381,2	214,9	900,8	665,3
1534	729,5	82,9	11,5	701,3	384,0	216,6	899,7	667,8
1535	728,2	82,5	11,2	704,8	387,1	218,5	896,6	670,2
1536	723,5	83,1	11,0	708,1	390,1	220,4	890,9	672,4
1537	717,0	82,8	10,8	711,6	393,2	222,3	884,6	674,1
1538	707,7	83,8	10,5	715,1	396,5	224,1	877,6	675,4
1539	698,8	82,5	10,3	718,5	399,9	226,0	869,4	676,3
1540	690,0	82,6	10,1	721,9	403,2	227,8	859,3	676,9
1541	685,0	82,9	9,9	725,2	406,4	229,5	850,3	677,4
1542	676,3	82,5	9,7	728,4	409,7	231,3	839,3	677,7
1543	669,3	82,7	9,5	731,4	413,0	233,2	829,6	677,9
1544	659,6	83,4	9,3	733,7	416,2	235,1	817,5	678,1
1545	648,8	82,3	9,2	735,3	419,4	237,1	806,0	678,4
1546	642,2	81,6	9,0	736,5	422,4	239,0	793,7	678,7
1547	635,1	82,3	8,8	737,5	425,3	241,1	783,1	678,9
1548	629,3	82,0	8,7	738,2	427,9	243,0	771,9	678,9
1549	621,9	82,0	8,6	738,7	430,6	245,1	763,1	678,7
1550	614,9	81,1	8,4	739,4	432,9	247,2	750,0	678,5
1551	605,4	81,3	8,3	739,8	435,4	249,3	735,5	678,2
1552	597,8	80,9	8,2	739,9	437,7	251,3	722,5	677,7
1553	591,4	81,8	8,1	739,6	440,1	253,4	708,9	677,0
1554	584,4	82,2	8,0	739,0	442,4	255,3	696,5	676,2
1555	578,3	81,3	7,8	738,2	444,4	257,2	685,4	675,0
1556	575,4	81,4	7,7	737,2	446,6	259,1	676,9	673,8
1557	572,5	81,1	7,6	735,9	448,6	260,8	669,2	672,2
1558	568,9	81,6	7,4	734,7	450,7	262,5	662,6	670,6
1559	566,4	81,5	7,3	733,6	452,6	264,0	655,3	668,9
1560	563,3	81,2	7,2	732,6	454,7	265,6	648,6	667,3
1561	560,9	81,5	7,1	731,2	456,5	267,1	642,5	665,6
1562	557,9	80,9	7,0	729,5	458,3	268,1	639,0	663,8
1563	556,9	80,6	6,9	727,6	460,2	269,8	634,6	662,0
1564	555,0	80,6	6,8	725,7	461,8	271,4	631,6	660,5
1565	554,5	81,2	6,7	723,9	463,6	273,0	629,2	659,2
1566	551,3	81,4	6,6	722,4	465,3	274,5	625,8	658,0
1567	547,3	81,0	6,5	720,9	466,9	276,0	622,6	657,0
1568	544,3	80,8	6,4	719,2	468,7	277,5	619,2	656,1
1569	544,2	81,3	6,3	717,6	470,4	278,9	616,6	655,3
1570	542,4	81,1	6,2	715,9	472,1	280,4	612,9	654,5
1571	539,1	81,2	6,1	714,3	473,7	281,9	609,0	653,7
1572	534,9	81,1	6,0	712,7	475,4	283,4	606,0	653,0
1573	530,7	81,4	6,0	711,2	477,8	285,0	602,0	652,1
1574	526,7	80,3	5,8	709,2	480,5	286,5	597,3	650,7
1575	524,6	80,8	5,8	706,9	483,6	287,9	591,8	649,1
1576	521,1	80,2	5,7	704,1	486,6	289,2	584,9	647,1
1577	516,6	80,8	5,6	701,2	489,5	290,5	579,4	644,9
1578	512,3	80,2	5,6	698,3	492,2	291,7	574,7	642,6

Aging PI-20221

1579	507,5	80,8	5,5	695,3	494,8	292,8	569,3	640,1
1580	502,1	80,1	5,4	691,9	496,8	294,0	562,8	637,4
1581	499,3	80,1	5,4	688,5	498,2	295,1	557,7	634,5
1582	495,7	81,1	5,3	685,0	499,2	296,3	552,7	631,4
1583	491,4	80,1	5,3	681,6	499,6	297,4	548,3	628,2
1584	488,3	80,0	5,2	678,1	499,6	298,5	542,1	624,9
1585	484,0	79,9	5,2	674,5	499,5	299,6	538,0	621,6
1586	479,0	79,8	5,2	670,9	499,0	300,7	532,7	618,4
1587	473,3	80,2	5,1	667,2	498,7	301,8	528,5	615,0
1588	468,6	79,8	5,1	663,4	497,8	303,0	523,1	611,5
1589	462,5	79,7	5,1	659,5	496,9	304,1	518,4	608,0
1590	459,5	80,3	5,0	655,4	495,7	305,2	511,9	604,4
1591	458,0	80,2	5,0	651,8	494,4	306,1	506,7	600,7
1592	454,0	79,9	5,0	648,3	493,1	307,2	501,2	596,9
1593	449,2	80,4	4,9	644,8	491,9	308,1	495,5	593,3
1594	443,9	80,8	4,9	641,2	490,7	309,1	489,7	589,6
1595	438,9	80,1	4,9	637,3	489,4	310,1	484,1	585,9
1596	433,7	80,3	4,9	633,1	487,8	310,9	478,0	582,2
1597	429,1	79,5	4,8	629,0	486,7	311,7	473,3	578,4
1598	425,1	80,0	4,8	624,7	485,3	312,5	467,3	574,5
1599	422,2	79,3	4,8	620,4	483,7	313,2	461,7	570,6
1600	418,8	79,5	4,7	616,2	482,2	313,9	457,5	566,7
1601	415,7	78,7	4,7	612,1	480,8	314,5	452,1	562,8
1602	413,6	79,3	4,7	608,2	479,4	315,1	447,6	558,9
1603	412,0	79,3	4,6	604,4	477,8	315,6	444,4	555,2
1604	409,3	79,2	4,7	601,0	476,3	316,1	439,8	551,6
1605	407,5	79,4	4,6	597,7	474,8	316,5	436,9	548,1
1606	406,1	79,0	4,6	594,2	473,3	316,9	433,2	544,5
1607	403,7	79,3	4,6	591,2	471,7	317,3	430,1	541,1
1608	402,6	79,4	4,6	588,1	470,1	317,6	426,9	537,8
1609	400,4	79,4	4,5	585,2	468,6	317,9	424,5	534,6
1610	398,2	78,9	4,5	582,2	467,1	318,2	421,2	531,6
1611	396,1	79,1	4,5	579,3	465,6	318,3	418,3	528,6
1612	394,1	79,6	4,4	576,4	463,9	318,5	417,0	525,8
1613	391,0	79,2	4,4	573,5	462,6	318,7	414,5	523,1
1614	389,3	79,0	4,4	570,8	460,9	318,8	411,4	520,3
1615	388,2	79,2	4,4	568,3	459,5	318,9	409,6	517,7
1616	386,9	78,7	4,3	565,8	458,3	319,1	407,3	515,0
1617	386,5	78,5	4,3	563,4	456,8	319,2	405,8	512,5
1618	385,1	78,4	4,3	561,1	455,6	319,3	403,6	510,1
1619	384,1	78,5	4,3	559,1	454,1	319,4	402,3	507,7
1620	383,3	78,2	4,2	557,0	452,9	319,5	400,6	505,6
1621	382,6	78,3	4,2	555,0	451,7	319,6	399,4	503,4
1622	380,5	78,3	4,2	553,2	450,5	319,7	397,8	501,3
1623	379,3	78,4	4,2	551,4	449,5	319,8	396,6	499,2
1624	378,0	78,9	4,1	549,7	448,5	319,8	395,4	497,3
1625	376,6	78,2	4,1	548,0	447,5	319,9	393,7	495,5
1626	376,0	79,0	4,1	546,3	446,6	320,1	391,9	493,7
1627	328,7	78,7	30,1	544,6	447,1	320,2	383,0	492,6
1628	372,3	78,9	30,0	538,4	447,5	320,8	377,5	490,4
1629	384,6	78,6	29,7	530,4	446,9	321,7	373,4	486,9
1630	397,7	78,9	29,6	521,3	445,2	322,6	372,1	482,2
1631	421,3	78,9	29,4	512,3	442,3	323,4	379,0	476,6
1632	466,0	78,6	29,3	503,7	438,4	324,2	402,1	470,5
1633	522,1	79,2	29,0	495,7	433,6	324,9	445,3	464,1
1634	575,0	78,5	28,8	488,7	428,4	325,3	503,4	457,8
1635	595,1	79,2	28,6	483,5	422,7	325,6	556,2	451,8
1636	591,3	79,4	28,4	479,8	417,3	325,8	596,6	446,5
1637	599,6	79,9	28,1	477,4	412,3	325,9	632,2	442,0
1638	613,3	80,1	27,9	476,5	407,9	325,8	668,0	438,2
1639	623,9	79,8	27,6	476,6	403,9	325,8	698,1	435,5
1640	633,9	80,4	27,3	477,5	400,5	325,6	722,8	433,8
1641	625,5	80,1	27,1	479,0	397,4	325,3	743,3	433,1
1642	553,6	80,2	26,8	481,0	394,6	325,1	748,8	433,1
1643	515,4	80,3	26,6	482,8	392,2	324,8	736,0	433,6
1644	492,3	80,7	26,5	484,3	390,1	324,3	717,1	434,3
1645	479,7	80,9	26,3	485,4	388,1	323,8	700,3	435,0
1646	473,2	80,5	26,1	486,2	386,3	323,2	687,1	435,8
1647	471,4	80,2	25,9	486,7	384,6	322,4	677,8	436,6
1648	472,4	80,5	25,7	487,0	382,9	321,7	671,4	437,6
1649	475,4	79,6	25,6	487,2	381,1	321,0	667,8	438,6
1650	481,4	80,5	25,4	487,4	379,5	320,2	667,3	439,6
1651	487,1	79,8	25,2	487,5	377,8	319,4	668,9	440,7
1652	490,8	80,0	25,0	487,8	376,3	318,6	673,0	441,7
1653	494,4	80,0	24,8	488,1	374,9	317,7	677,5	442,9
1654	498,1	80,6	24,6	488,5	372,9	316,8	682,1	444,1
1655	501,3	80,0	24,4	489,1	371,0	315,9	688,4	445,4
1656	504,1	79,9	24,2	489,9	369,1	315,0	694,7	446,6
1657	506,2	79,9	24,0	490,9	367,4	314,1	701,0	448,0
1658	508,2	80,3	23,8	492,0	365,7	313,2	706,6	449,4
1659	508,7	80,6	23,6	493,3	364,2	312,2	711,8	450,7
1660	508,9	81,2	23,4	494,7	362,9	311,2	716,2	452,1
1661	508,4	80,7	23,2	496,0	361,7	310,2	718,8	453,5
1662	510,0	80,6	23,0	497,5	360,6	309,3	723,1	455,0
1663	510,3	80,3	22,8	498,8	359,6	308,3	725,9	456,5
1664	510,4	80,4	22,6	500,3	358,7	307,3	728,8	457,9
1665	510,9	80,6	22,4	501,7	357,9	306,3	731,5	459,4
1666	510,4	81,2	22,2	503,3	357,1	305,1	733,1	460,7
1667	510,2	80,8	22,0	505,0	356,4	304,2	734,1	462,3
1668	509,5	81,8	21,8	506,6	355,8	303,2	733,4	463,8
1669	509,2	81,1	21,6	508,3	355,2	302,2	733,6	465,4
1670	509,1	81,5	21,4	510,0	354,7	301,2	731,7	466,9
1671	506,9	80,8	21,2	511,6	354,3	300,3	730,5	468,5

21-22-20-22-21-23

Aging PI-20221

1672	506,1	80,8	21,0	513,3	354,0	299,4	728,0	470,0
1673	505,1	80,6	20,8	514,9	353,7	298,5	726,4	471,6
1674	507,9	80,6	20,6	516,4	353,4	297,5	724,6	473,2
1675	512,7	81,6	20,4	517,8	353,3	296,6	724,8	474,7
1676	516,1	81,6	20,2	519,3	353,0	295,8	728,2	476,4
1677	519,4	81,8	20,0	520,9	352,8	294,9	732,1	478,1
1678	523,5	81,5	19,8	522,5	352,7	294,0	737,3	479,8
1679	527,3	81,6	19,6	524,2	352,6	293,2	743,6	481,6
1680	530,3	81,8	19,5	526,1	352,6	292,4	748,3	483,4
1681	532,5	82,0	19,2	528,0	352,6	291,6	754,6	485,3
1682	533,7	82,0	19,0	530,0	352,7	290,9	758,9	487,3
1683	536,5	82,1	18,8	532,2	352,9	290,1	762,2	489,4
1684	537,5	82,2	18,6	534,5	353,2	289,4	766,5	491,6
1685	536,7	82,2	18,4	536,7	353,5	288,7	768,8	493,8
1686	537,7	81,9	18,2	539,0	353,8	288,0	771,7	496,1
1687	539,3	82,8	18,0	541,3	354,3	287,3	773,1	498,5
1688	540,9	82,7	17,8	543,7	354,8	286,6	774,4	500,8
1689	542,0	82,6	17,6	546,0	355,2	286,0	777,4	503,2
1690	543,1	82,9	17,4	548,3	355,8	285,4	780,1	505,5
1691	544,6	82,4	17,3	550,7	356,4	284,8	783,0	507,9
1692	545,1	82,8	17,0	552,9	356,9	284,3	785,0	510,3
1693	544,7	82,5	16,8	555,2	357,5	283,7	785,3	512,7
1694	545,7	82,8	16,6	557,4	358,2	283,1	784,9	515,1
1695	545,9	82,8	16,4	559,6	358,9	282,6	785,1	517,4
1696	543,9	83,0	16,2	561,8	359,6	282,1	783,0	519,7
1697	542,6	83,1	16,1	563,9	360,3	281,7	780,9	522,0
1698	542,4	83,0	15,9	566,1	361,1	281,3	778,2	524,3
1699	541,7	83,5	15,7	568,3	362,1	280,9	777,2	526,5
1700	539,9	82,8	15,4	570,4	363,0	280,5	776,2	528,8
1701	539,1	83,1	15,3	572,5	364,0	280,2	774,3	531,1
1702	538,5	82,8	15,1	574,7	365,1	279,9	773,3	533,4
1703	537,7	83,1	15,0	576,8	366,2	279,6	772,5	535,7
1704	537,1	83,3	14,7	578,9	367,4	279,2	771,5	537,9
1705	536,5	83,2	14,5	581,0	368,5	279,0	770,9	540,2
1706	537,8	82,9	14,4	583,1	369,7	278,7	770,3	542,5
1707	535,1	83,1	14,2	585,2	370,9	278,5	768,4	544,7
1708	529,7	83,3	13,9	587,4	372,2	278,4	764,5	546,9
1709	523,9	83,6	13,8	589,6	373,5	278,3	758,2	549,3
1710	517,0	83,4	13,7	591,8	374,9	278,2	751,7	551,9
1711	511,7	83,0	13,5	593,9	376,4	278,0	743,3	554,3
1712	506,2	83,3	13,4	595,9	377,8	277,9	734,3	556,6
1713	501,6	83,1	13,1	597,9	379,4	277,8	725,5	558,8
1714	498,1	83,5	13,1	599,8	381,0	277,6	716,9	560,8
1715	492,9	83,0	12,9	601,5	382,6	277,5	709,6	562,7
1716	488,3	83,0	12,8	603,3	384,1	277,4	700,6	564,3
1717	482,6	83,2	12,6	604,9	385,7	277,4	692,3	565,8
1718	476,6	83,3	12,5	606,5	387,3	277,3	684,5	567,0
1719	469,9	83,0	12,4	607,7	388,9	277,3	676,4	568,1
1720	465,3	82,7	12,3	608,8	390,4	277,3	667,1	568,8
1721	463,3	82,7	12,2	609,7	391,9	277,3	658,6	569,3
1722	461,3	82,4	12,0	610,5	393,2	277,4	651,7	569,4
1723	458,8	82,9	11,9	611,3	394,5	277,5	645,1	569,3
1724	456,4	82,2	11,8	612,0	395,7	277,6	639,2	569,0
1725	455,7	82,8	11,7	612,6	396,9	277,7	634,4	568,7
1726	453,4	82,2	11,5	613,2	397,9	277,8	630,0	568,3
1727	452,3	82,2	11,4	613,7	398,9	277,9	627,0	567,9
1728	451,0	82,5	11,3	614,1	399,8	278,0	625,0	567,3
1729	449,2	82,3	11,2	614,5	400,8	278,2	622,6	567,0
1730	448,4	82,0	11,0	615,0	401,6	278,4	620,5	566,6
1731	448,0	82,2	10,9	615,3	402,5	278,4	617,3	566,1
1732	445,8	82,7	10,8	615,6	403,4	278,5	614,1	565,8
1733	444,6	81,8	10,7	615,9	404,2	278,7	611,3	565,4
1734	442,0	82,2	10,6	616,2	404,9	278,9	608,2	565,0
1735	441,1	82,1	10,4	616,5	405,8	279,0	605,5	564,7
1736	438,3	82,8	10,3	616,8	406,5	279,1	603,5	564,4
1737	437,0	82,2	10,2	617,1	407,3	279,3	601,4	564,1
1738	435,1	82,1	10,1	617,4	408,1	279,6	598,8	563,9
1739	435,9	82,6	9,9	617,9	408,9	279,8	597,1	563,6
1740	437,5	82,0	9,9	618,0	409,6	280,1	598,2	563,4
1741	436,9	81,8	9,7	617,7	410,4	280,4	597,5	563,1
1742	436,2	81,7	9,6	616,9	411,3	280,7	596,3	563,0
1743	434,5	82,1	9,5	616,1	412,0	281,0	595,9	562,8
1744	432,5	82,0	9,4	615,1	412,8	281,3	594,2	562,6
1745	431,7	82,0	9,4	614,1	413,6	281,6	592,1	562,4
1746	429,8	83,0	9,2	613,1	414,4	281,9	590,6	562,4
1747	428,8	82,2	9,1	612,1	415,2	282,3	588,0	562,3
1748	426,9	82,4	9,0	611,1	415,9	282,6	586,1	562,3
1749	425,8	83,2	8,9	610,1	416,7	282,9	583,6	562,1
1750	424,9	82,6	8,8	609,3	417,6	283,2	581,3	562,2
1751	423,8	82,0	8,7	608,5	418,4	283,5	578,3	562,2
1752	423,9	82,3	8,6	607,8	419,2	283,8	577,2	562,5
1753	422,9	82,0	8,5	607,1	420,1	284,2	575,8	562,7
1754	423,4	82,4	8,4	606,5	420,9	284,5	575,8	563,0
1755	424,4	81,9	8,3	605,9	421,8	284,9	575,1	563,3
1756	424,7	82,0	8,1	605,2	422,7	285,2	574,4	563,6
1757	424,2	82,3	8,1	604,7	423,6	285,6	575,4	564,0
1758	422,9	81,9	8,0	604,1	424,5	285,8	574,6	564,4
1759	422,0	82,0	7,9	603,6	425,4	286,2	573,5	565,1
1760	422,2	81,8	7,8	603,1	426,3	286,7	572,0	565,7
1761	421,1	81,8	7,8	602,5	427,3	287,1	570,8	566,6
1762	421,6	81,7	7,6	602,0	428,3	287,6	570,4	567,4
1763	421,5	82,2	7,6	601,6	429,3	288,1	570,2	568,2
1764	421,2	82,2	7,5	601,3	430,3	288,6	570,3	568,9

1765	419,3	82,5	7,4	601,0	431,4	289,1	570,6	569,6
1766	416,1	82,5	7,3	600,9	432,7	289,7	570,0	570,3
1767	413,0	81,7	7,2	600,9	433,8	290,1	568,4	570,7
1768	409,9	81,3	7,1	600,6	434,8	290,6	565,8	570,7
1769	406,4	81,6	7,1	600,1	435,7	291,0	563,3	570,4
1770	404,5	81,4	7,0	599,4	436,6	291,4	560,1	569,9
1771	401,0	81,8	6,9	598,5	437,5	291,7	555,6	569,0
1772	397,6	82,4	6,8	597,5	438,4	292,1	551,0	568,0
1773	394,7	81,7	6,7	596,3	439,1	292,5	546,7	566,8
1774	392,0	81,6	6,7	595,1	439,9	292,8	542,5	565,6
1775	390,4	81,6	6,6	594,0	440,6	293,0	537,5	564,0
1776	386,6	82,2	6,6	592,7	441,3	293,3	532,8	562,7
1777	381,8	81,9	6,5	591,4	441,9	293,6	528,3	561,1
1778	377,9	82,1	6,5	590,0	442,4	293,7	523,3	559,4
1779	373,6	82,5	6,4	588,2	442,7	293,7	517,5	557,5
1780	368,9	81,5	6,4	586,2	442,6	293,7	510,9	555,6
1781	365,2	81,3	6,3	583,7	442,4	293,6	504,6	553,5
1782	362,8	81,3	6,3	581,1	442,0	293,6	498,9	551,1
1783	357,7	81,2	6,2	578,4	441,4	293,5	493,0	548,6
1784	350,6	81,2	6,2	575,2	440,6	293,4	486,9	545,9
1785	345,5	81,1	6,1	571,1	439,6	293,3	480,8	543,0
1786	341,9	81,1	6,1	566,5	438,2	293,1	474,7	539,8
1787	338,5	80,8	6,1	561,6	436,7	293,0	468,3	536,4
1788	335,6	80,7	6,0	556,6	434,7	292,9	462,0	532,9
1789	332,7	80,8	6,0	551,5	432,5	292,6	456,1	529,4
1790	329,2	81,0	5,9	546,6	430,1	292,4	450,5	525,9
1791	326,6	80,6	5,9	541,9	427,7	292,3	445,0	522,5
1792	324,0	80,4	5,8	537,3	425,3	292,2	440,4	519,1
1793	322,3	80,5	5,8	532,9	423,0	292,0	435,8	515,8
1794	320,1	80,4	5,8	528,6	420,6	291,9	431,2	512,6
1795	318,1	80,2	5,7	524,5	418,3	291,7	426,4	509,5
1796	315,7	80,5	5,7	520,5	416,0	291,6	422,9	506,4
1797	313,6	80,0	5,6	516,9	413,8	291,4	418,5	503,5
1798	311,7	80,3	5,6	513,2	411,6	291,3	415,7	500,6
1799	309,8	80,2	5,6	509,8	409,6	291,2	412,2	497,8
1800	308,3	80,1	5,5	506,5	407,6	291,1	408,4	495,2
1801	306,8	80,1	5,4	503,3	405,6	291,0	405,5	492,6
1802	304,9	80,4	5,4	500,5	403,7	291,0	402,2	490,1
1803	304,1	80,1	5,3	497,8	401,9	290,9	399,7	487,7
1804	303,9	79,9	5,3	495,3	400,1	290,8	398,2	485,4
1805	302,4	79,8	5,3	492,8	398,4	290,8	395,9	483,1
1806	300,8	79,9	5,3	490,3	396,7	290,8	393,7	481,0
1807	300,1	79,8	5,2	487,9	395,0	290,7	390,9	478,9
1808	298,9	80,1	5,2	485,6	393,5	290,6	388,2	476,8
1809	297,1	80,4	5,2	483,2	392,0	290,6	385,9	474,8
1810	295,9	79,7	5,1	481,2	390,5	290,5	384,0	472,9
1811	294,2	79,4	5,1	479,1	389,3	290,4	381,3	471,1
1812	292,8	79,4	5,1	477,0	388,1	290,4	380,0	469,4
1813	291,0	79,6	5,1	474,9	387,0	290,2	377,7	467,6
1814	289,2	79,6	5,1	473,0	385,7	290,2	375,0	466,0
1815	288,7	80,2	5,0	471,3	384,7	290,2	373,2	464,4
1816	287,3	79,1	5,1	469,7	383,6	290,1	371,1	462,9
1817	286,4	79,2	5,0	468,1	382,6	290,2	369,2	461,5
1818	285,6	79,6	5,0	466,6	381,7	290,1	368,2	460,1
1819	284,3	79,0	4,9	465,1	380,9	290,2	365,9	458,8
1820	283,8	79,1	5,0	463,6	380,1	290,2	364,5	457,6
1821	283,1	79,2	4,9	462,2	379,3	290,3	362,7	456,4
1822	282,5	79,6	4,9	460,9	378,6	290,2	361,2	455,3
1823	281,3	78,9	4,9	459,6	377,9	290,3	359,8	454,2
1824	280,3	78,9	4,8	458,5	377,2	290,4	358,5	453,1
1825	279,4	79,0	4,8	457,2	376,6	290,4	357,2	452,1
1826	278,2	79,0	4,8	456,0	376,1	290,5	356,2	451,1
1827	277,8	79,2	4,8	454,9	375,6	290,6	355,1	450,1
1828	277,0	79,7	4,8	453,8	375,2	290,7	353,7	449,2
1829	276,3	78,9	4,7	452,8	374,8	290,8	352,6	448,3
1830	276,0	79,2	4,7	451,8	374,5	291,0	351,6	447,4
1831	275,6	79,1	4,7	450,8	374,1	291,0	350,2	446,5
1832	273,8	79,0	4,7	449,8	373,9	291,2	349,2	445,6
1833	273,3	79,1	4,6	448,6	373,7	291,3	348,1	444,8
1834	271,4	79,0	4,7	447,2	373,4	291,4	347,2	444,0
1835	271,4	79,3	4,6	445,9	373,1	291,5	346,1	443,2
1836	270,3	79,3	4,6	444,6	373,0	291,6	345,2	442,4
1837	269,2	78,7	4,5	443,3	372,8	291,8	343,9	441,6
1838	267,9	78,6	4,5	442,0	372,6	291,9	343,1	440,8
1839	267,9	79,4	4,5	440,8	372,5	292,0	342,0	440,1
1840	267,4	78,8	4,5	439,5	372,5	292,0	341,2	439,4
1841	266,7	78,7	4,5	438,4	372,3	292,2	340,2	438,6
1842	266,0	78,7	4,5	437,3	372,2	292,2	339,8	438,0
1843	265,1	78,5	4,4	436,3	372,1	292,4	338,3	437,3
1844	264,9	78,7	4,4	435,1	372,0	292,5	337,4	436,5
1845	264,3	78,6	4,4	434,1	371,9	292,6	336,7	435,8
1846	263,2	78,7	4,4	433,1	371,8	292,7	336,3	435,2
1847	262,5	78,7	4,3	432,1	371,8	292,8	335,2	434,5
1848	262,5	78,7	4,3	431,1	371,9	292,9	334,2	433,8
1849	261,3	78,4	4,3	430,2	371,9	293,1	334,0	433,2
1850	261,6	78,5	4,3	429,3	371,9	293,2	333,2	432,5
1851	261,4	78,4	4,3	428,5	372,1	293,4	332,5	432,0
1852	260,9	78,4	4,3	427,7	372,2	293,4	331,9	431,4
1853	260,3	78,8	4,2	426,8	372,4	293,6	331,2	430,7
1854	260,5	79,0	4,2	426,0	372,5	293,7	330,2	430,2
1855	259,6	78,3	4,2	425,4	372,7	293,8	329,7	429,7
1856	259,5	78,4	4,1	424,7	372,9	294,0	328,7	429,3
1857	258,6	78,7	4,1	424,0	373,1	294,2	328,3	428,9

Aging PI-20221

1858	258,7	78,3	4,2	423,4	373,3	294,3	328,1	428,5
1859	258,4	78,2	4,1	422,8	373,7	294,5	327,5	428,1
1860	258,8	78,2	4,1	422,1	374,0	294,6	327,1	427,8
1861	258,5	78,2	4,1	421,6	374,4	294,9	327,3	427,5
1862	258,3	78,3	4,1	421,1	374,8	295,0	326,4	427,1
1863	257,9	78,6	4,0	420,6	375,3	295,2	325,8	426,9
1864	257,5	78,3	4,0	420,2	375,8	295,3	325,3	426,6
1865	257,6	78,6	4,0	419,6	376,2	295,4	325,4	426,3
1866	257,4	78,5	4,0	419,3	376,8	295,6	325,1	426,1
1867	257,3	78,4	3,9	418,8	377,4	295,7	324,6	425,9
1868	256,8	78,3	4,0	418,5	378,0	296,0	324,3	425,7
1869	257,0	78,5	3,9	418,0	378,7	296,2	324,2	425,5
1870	256,9	78,3	3,9	417,6	379,3	296,3	324,0	425,4
1871	256,7	78,4	3,8	417,2	379,9	296,5	324,5	425,2
1872	256,8	78,8	3,8	416,7	380,6	296,8	323,7	425,0
1873	256,4	78,1	3,8	416,4	381,3	297,0	323,5	424,9
1874	256,2	78,1	3,8	416,0	382,1	297,2	323,3	424,8
1875	256,0	78,1	3,8	415,6	382,7	297,4	323,2	424,7
1876	256,1	78,2	3,8	415,2	383,3	297,7	322,8	424,6
1877	256,5	78,2	3,8	414,9	384,0	297,9	322,5	424,5
1878	256,4	78,3	3,7	414,5	384,6	298,2	322,2	424,5
1879	256,1	78,3	3,7	414,2	385,1	298,4	322,2	424,3
1880	256,0	78,3	3,7	413,9	385,6	298,6	322,5	424,2
1881	256,1	78,2	3,7	413,5	385,8	298,8	322,2	424,2
1882	256,3	78,3	3,7	413,2	386,2	299,0	321,9	424,1
1883	256,1	78,2	3,6	412,9	386,5	299,2	321,9	424,1
1884	256,5	78,1	3,6	412,7	386,7	299,5	322,3	424,1
1885	257,1	78,2	3,6	412,5	386,9	299,8	322,4	424,1
1886	257,0	78,1	3,5	412,4	387,0	300,0	322,7	424,2
1887	256,8	78,3	3,6	412,3	387,2	300,2	323,0	424,3
1888	257,2	78,4	3,5	412,2	387,4	300,4	323,3	424,3
1889	256,4	78,3	3,5	412,3	387,5	300,6	323,4	424,5
1890	257,1	78,1	3,5	412,2	387,7	300,8	323,6	424,8
1891	257,6	77,9	3,4	412,3	387,9	301,1	323,9	424,9
1892	256,9	78,3	3,5	412,3	388,1	301,4	323,6	425,1
1893	257,1	78,3	3,5	412,6	388,2	301,6	323,9	425,3
1894	257,1	78,1	3,4	412,6	388,2	301,8	323,9	425,5
1895	257,0	77,9	3,4	412,9	388,1	302,0	324,2	425,7
1896	256,9	78,4	3,4	413,0	387,9	302,2	324,1	425,7
1897	257,1	78,1	3,4	413,1	387,7	302,4	323,9	425,8
1898	256,7	78,1	3,4	413,3	387,4	302,5	323,9	425,9
1899	256,7	78,8	3,3	413,3	387,2	302,7	323,9	425,9
1900	255,9	78,3	3,3	413,5	386,9	302,8	324,5	425,9
1901	256,9	78,2	3,3	413,5	386,6	302,9	324,3	425,8
1902	256,7	78,3	3,3	413,7	386,2	303,0	324,4	425,8
1903	256,3	78,5	3,2	413,7	385,9	303,0	324,2	425,6
1904	256,1	78,2	3,2	413,7	385,6	303,1	324,0	425,6
1905	256,5	78,4	3,2	413,7	385,2	303,1	323,9	425,4
1906	255,7	78,4	3,2	413,8	384,9	303,3	324,1	425,4
1907	256,3	78,2	3,1	413,8	384,7	303,3	324,3	425,2
1908	256,2	78,6	3,2	413,7	384,5	303,3	324,1	425,1
1909	256,0	78,1	3,1	413,8	384,2	303,4	323,8	425,0
1910	256,2	78,1	3,1	413,8	384,0	303,4	324,0	424,8
1911	256,4	78,6	3,1	413,6	383,7	303,3	323,8	424,5
1912	256,3	78,1	3,1	413,5	383,5	303,3	324,0	424,2
1913	256,2	77,9	3,1	413,5	383,3	303,3	324,2	424,2
1914	256,4	78,3	3,0	413,4	383,1	303,3	324,0	424,0
1915	256,8	78,0	3,0	413,4	382,9	303,2	323,8	423,8
1916	256,8	78,1	3,0	413,4	382,6	303,2	323,2	423,7
1917	256,9	78,1	3,0	413,3	382,5	303,2	323,2	423,6
1918	256,4	78,4	2,9	413,2	382,2	303,2	323,4	423,4
1919	256,8	78,2	3,0	413,1	382,0	303,2	323,4	423,3
1920	257,3	78,2	3,0	413,1	381,9	303,1	323,5	423,1
1921	256,9	78,0	2,9	413,1	381,7	303,2	323,2	423,0
1922	256,8	77,8	2,9	413,1	381,6	303,1	323,0	422,8
1923	257,6	78,3	2,9	413,0	381,5	303,1	322,8	422,7
1924	256,6	78,0	2,9	413,0	381,4	303,0	322,7	422,6
1925	257,7	78,1	2,9	413,0	381,2	302,9	323,2	422,5
1926	257,9	78,1	2,8	413,0	381,1	302,9	323,1	422,5
1927	258,1	78,8	2,8	413,1	381,1	303,0	323,6	422,5
1928	258,6	78,0	2,8	413,2	381,1	303,0	323,9	422,9
1929	258,5	78,4	2,8	413,3	381,2	302,9	324,1	423,2
1930	258,3	78,8	2,8	413,6	381,3	302,8	324,6	423,7
1931	258,8	78,1	2,7	413,7	381,2	302,9	324,7	424,0
1932	258,9	78,0	2,7	413,9	381,4	302,8	324,8	424,3
1933	259,1	78,1	2,7	414,1	381,4	302,8	325,2	424,7
1934	259,2	78,3	2,7	414,2	381,5	302,8	325,2	425,0
1935	258,8	78,7	2,7	414,4	381,6	302,7	325,8	425,3
1936	258,6	79,2	2,7	414,6	381,8	302,6	325,8	425,5
1937	259,1	79,3	2,6	414,8	381,9	302,4	325,8	425,7
1938	259,2	79,0	2,6	415,0	382,1	302,2	325,8	425,9
1939	259,2	78,6	2,6	415,2	382,2	302,1	326,1	426,1
1940	259,1	78,0	2,6	415,4	382,3	302,0	326,2	426,2
1941	259,3	78,4	2,6	415,6	382,3	301,9	326,0	426,3
1942	259,5	78,2	2,5	415,6	382,4	301,7	325,9	426,4
1943	259,2	78,1	2,5	415,8	382,5	301,5	325,9	426,5
1944	259,1	78,0	2,5	415,9	382,5	301,4	325,8	426,5
1945	259,3	78,0	2,5	416,0	382,6	301,3	325,7	426,6
1946	259,0	77,9	2,5	416,2	382,6	301,1	326,0	426,6
1947	258,6	77,9	2,4	416,3	382,5	300,9	325,6	426,6
1948	259,1	78,4	2,4	416,3	382,5	300,8	325,5	426,5
1949	258,7	78,0	2,4	416,4	382,5	300,6	325,7	426,5
1950	258,6	77,9	2,4	416,5	382,5	300,4	325,2	426,4

Aging PI-20221

1951	258,8	77,6	2,4	416,6	382,3	300,0	324,6	426,1
1952	258,3	76,4	2,4	416,4	382,1	299,8	324,3	425,8
1953	257,8	77,3	2,4	416,3	382,0	299,5	323,8	425,5
1954	257,6	77,1	2,4	416,2	381,9	299,2	323,2	425,2
1955	257,1	77,5	2,3	416,2	381,7	298,9	322,6	424,8
1956	256,2	77,6	2,3	416,0	381,6	298,7	322,3	424,4
1957	255,8	77,4	2,3	415,8	381,5	298,4	322,1	424,0
1958	255,8	77,6	2,3	415,6	381,2	298,1	320,9	423,5
1959	255,5	77,6	2,3	415,4	381,1	297,9	320,7	423,0
1960	255,0	77,7	2,3	415,2	380,9	297,5	320,2	422,5
1961	255,0	77,5	2,2	415,0	380,6	297,2	319,8	421,9
1962	254,9	78,3	2,2	414,7	380,3	296,9	318,8	421,3
1963	254,6	78,2	2,2	414,5	380,1	296,6	318,3	420,7
1964	254,0	77,8	2,2	414,4	379,8	296,3	317,8	420,3
1965	253,7	78,3	2,1	414,1	379,5	296,1	318,0	419,7
1966	253,4	77,6	2,2	413,9	379,2	295,7	317,5	419,2
1967	253,4	77,8	2,1	413,6	379,0	295,4	317,2	418,5
1968	253,6	77,4	2,1	413,4	378,8	295,1	316,5	417,9
1969	253,0	77,5	2,1	413,1	378,5	294,8	316,3	417,3
1970	253,0	77,5	2,1	412,8	378,3	294,5	315,8	416,7
1971	252,9	77,3	2,1	412,6	378,0	294,2	315,4	416,0
1972	252,4	77,6	2,1	412,3	377,7	293,9	315,1	415,3
1973	252,3	77,4	2,1	412,0	377,6	293,6	315,1	414,7
1974	252,0	77,5	2,1	411,8	377,4	293,3	315,1	414,1
1975	252,2	77,5	2,0	411,6	377,3	293,0	314,5	413,4
1976	251,7	77,3	2,0	411,3	377,0	292,8	314,2	412,7
1977	251,6	77,3	2,0	411,2	376,9	292,4	314,1	412,1
1978	252,1	77,4	2,0	411,0	376,8	292,1	313,7	411,5
1979	251,2	77,3	1,9	410,8	376,5	291,8	313,3	410,9
1980	251,1	77,4	2,0	410,6	376,4	291,6	312,9	410,3
1981	250,8	77,3	1,9	410,4	376,3	291,3	312,5	409,6
1982	250,7	77,5	1,9	410,2	376,2	291,0	312,3	409,0
1983	250,7	77,5	1,9	410,0	376,0	290,7	311,9	408,4
1984	250,1	77,4	1,9	409,8	375,9	290,4	311,7	407,8
1985	249,7	77,4	1,8	409,6	375,8	290,1	311,6	407,2
1986	250,1	77,2	1,8	409,5	375,7	289,8	311,4	406,7
1987	250,1	77,2	1,8	409,3	375,7	289,6	311,1	406,1
1988	249,7	77,2	1,8	409,1	375,7	289,4	310,8	405,6
1989	249,5	77,3	1,8	408,9	375,6	289,1	310,4	405,0
1990	249,4	77,2	1,7	408,8	375,5	288,8	310,4	404,5
1991	249,3	77,3	1,7	408,7	375,5	288,6	310,3	404,0
1992	249,5	77,1	1,7	408,6	375,5	288,3	310,1	403,6
1993	249,7	77,2	1,7	408,5	375,6	288,1	310,0	403,1
1994	249,3	77,2	1,7	408,4	375,7	287,9	309,9	402,7
1995	249,5	77,2	1,7	408,3	375,6	287,6	309,6	402,2
1996	249,9	77,3	1,7	408,4	375,7	287,3	309,7	401,8
1997	249,5	77,1	1,6	408,4	375,8	287,1	309,4	401,5
1998	249,6	77,2	1,6	408,4	375,8	286,9	309,0	401,2
1999	249,4	77,2	1,6	408,3	375,9	286,7	309,3	400,9
2000	249,1	77,0	1,6	408,4	376,0	286,4	309,2	400,6
2001	249,3	77,2	1,6	408,4	376,0	286,2	308,9	400,2
2002	249,3	77,1	1,6	408,5	376,1	286,0	308,9	399,9
2003	249,1	77,3	1,5	408,5	376,3	285,8	308,9	399,6
2004	249,5	77,1	1,5	408,6	376,4	285,6	308,7	399,3
2005	249,2	77,1	1,5	408,6	376,5	285,4	308,5	398,9
2006	249,0	77,0	1,5	408,7	376,7	285,1	308,3	398,6
2007	248,5	77,0	1,5	408,8	376,9	284,9	308,1	398,3
2008	248,8	77,2	1,5	408,8	377,2	284,8	308,5	398,0
2009	249,1	76,9	1,5	409,0	377,4	284,5	308,3	397,7
2010	249,5	76,6	1,5	409,1	377,6	284,3	308,1	397,4
2011	249,3	76,7	1,4	409,3	377,8	284,1	308,6	397,1
2012	249,2	76,7	1,4	409,4	378,0	283,9	308,5	396,8
2013	249,3	76,5	1,4	409,6	378,3	283,7	308,4	396,5
2014	249,4	76,6	1,4	409,8	378,6	283,5	308,4	396,2
2015	249,0	76,6	1,4	410,0	378,9	283,3	308,6	395,9
2016	249,7	76,6	1,4	410,3	379,1	283,1	309,0	395,7
2017	249,9	77,0	1,3	410,6	379,4	282,9	308,8	395,4
2018	250,1	76,9	1,3	411,0	379,7	282,6	308,6	395,2
2019	250,0	76,6	1,3	411,4	380,0	282,4	308,7	394,9
2020	249,9	76,8	1,3	411,7	380,3	282,2	309,0	394,7
2021	250,8	76,8	1,3	412,1	380,5	282,0	309,3	394,5
2022	251,1	76,9	1,2	412,5	380,9	281,8	309,3	394,2
2023	251,0	76,8	1,2	412,9	381,2	281,6	309,3	394,0
2024	250,9	76,7	1,2	413,2	381,5	281,4	309,2	393,9
2025	251,4	76,7	1,1	413,6	381,8	281,2	309,6	393,6
2026	251,2	76,9	1,1	414,0	382,0	281,0	309,4	393,4
2027	250,8	76,7	1,1	414,4	382,4	280,8	309,5	393,1
2028	251,5	76,7	1,1	414,7	382,8	280,6	309,5	392,9
2029	251,3	76,8	1,0	415,0	383,1	280,4	309,6	392,7
2030	251,3	76,9	1,1	415,4	383,5	280,2	309,5	392,5
2031	251,1	76,8	1,0	415,7	384,0	280,0	310,0	392,3
2032	251,2	76,7	1,0	416,0	384,4	279,8	310,2	392,2
2033	251,8	76,7	1,0	416,4	384,9	279,6	310,7	392,1
2034	252,3	76,6	1,0	416,7	385,4	279,4	310,9	391,9
2035	252,2	76,5	1,0	417,1	386,0	279,2	310,8	391,8
2036	252,0	76,5	1,0	417,4	386,5	279,0	310,7	391,7
2037	252,2	76,5	1,0	417,7	387,1	278,8	310,9	391,6
2038	252,3	76,5	0,9	418,0	387,5	278,6	310,8	391,5
2039	252,0	76,6	0,9	418,3	387,8	278,4	311,0	391,3
2040	252,6	76,5	0,9	418,6	388,3	278,2	311,4	391,2
2041	252,8	76,5	0,9	418,9	388,5	278,0	311,4	391,0
2042	252,5	76,5	0,9	419,2	388,9	277,8	311,5	390,9
2043	252,7	76,5	0,8	419,4	389,0	277,6	311,6	390,7

Aging PI-20221

2044	252,8	76,6	0,8	419,6	389,3	277,4	311,5	390,5
2045	253,2	76,4	0,8	419,8	389,5	277,2	311,6	390,3
2046	252,9	76,4	0,8	420,1	389,7	277,1	311,6	390,2
2047	253,2	76,3	0,8	420,2	389,8	276,8	311,4	390,0
2048	253,0	76,5	0,7	420,4	390,0	276,6	311,3	389,9
2049	253,0	76,4	0,7	420,7	390,1	276,4	311,4	389,7
2050	253,2	76,5	0,7	421,2	390,1	276,2	311,5	389,5
2051	253,4	76,7	0,7	421,6	390,2	276,0	311,8	389,3
2052	252,9	76,5	0,7	422,1	390,4	275,8	311,7	389,1
2053	252,8	76,5	0,6	422,5	390,3	275,6	312,0	389,0
2054	252,8	76,3	0,7	422,9	390,4	275,5	311,7	388,8
2055	252,2	76,2	0,6	423,3	390,5	275,3	311,7	388,6
2056	252,7	76,2	0,6	423,6	390,5	275,1	311,9	388,4
2057	252,9	76,3	0,6	424,0	390,7	274,9	312,4	388,2
2058	253,1	76,2	0,6	424,3	390,6	274,8	311,8	388,1
2059	253,0	76,4	0,5	424,7	390,7	274,6	311,9	387,9
2060	253,0	76,1	0,5	424,9	390,8	274,4	312,1	387,8
2061	252,5	76,3	0,5	425,3	390,8	274,3	312,5	387,6
2062	253,0	76,2	0,5	425,5	390,9	274,1	312,5	387,5
2063	253,0	76,2	0,5	425,8	390,9	273,9	312,5	387,4
2064	252,2	76,2	0,5	426,1	390,8	273,8	312,3	387,2
2065	252,0	76,2	0,4	426,4	391,0	273,7	312,3	387,1
2066	252,2	76,3	0,4	426,6	391,0	273,5	312,3	386,9
2067	251,7	76,1	0,4	426,8	391,0	273,4	312,1	386,8
2068	251,2	76,1	0,4	427,0	391,0	273,2	312,2	386,6
2069	251,6	75,9	0,4	427,1	390,9	273,1	312,0	386,4
2070	251,5	76,2	0,4	427,3	390,8	272,9	311,6	386,1
2071	251,1	76,0	0,3	427,3	390,7	272,8	311,5	385,9
2072	251,1	76,0	0,3	427,3	390,6	272,7	311,4	385,7
2073	250,5	76,1	0,3	427,3	390,5	272,5	310,9	385,3
2074	250,3	76,1	0,3	427,2	390,4	272,4	311,1	385,0
2075	250,4	76,3	0,3	426,9	390,2	272,2	310,6	384,7
2076	250,6	76,0	0,3	426,8	390,2	272,1	310,5	384,4
2077	250,3	76,1	0,2	426,5	390,1	271,9	310,2	384,1
2078	249,9	76,1	0,3	426,3	390,1	271,8	310,1	383,8
2079	249,9	76,0	0,2	425,9	390,0	271,7	310,0	383,5
2080	249,1	76,1	0,2	425,6	390,1	271,5	310,2	383,1
2081	249,1	76,0	0,2	425,2	390,2	271,4	309,6	382,7
2082	248,9	76,0	0,2	424,9	390,2	271,3	309,2	382,4
2083	248,5	76,1	0,2	424,6	390,2	271,1	309,4	382,0
2084	248,9	75,9	0,1	424,3	390,3	270,9	308,9	381,6
2085	249,1	75,8	0,1	423,9	390,3	270,7	309,2	381,2
2086	249,1	75,7	0,2	423,6	390,3	270,6	308,6	380,8
2087	248,7	76,1	0,1	423,4	390,3	270,4	308,6	380,4
2088	248,3	75,9	0,1	423,0	390,2	270,2	308,1	380,0
2089	248,1	75,7	0,1	422,8	390,1	270,1	307,9	379,6
2090	247,8	75,8	0,1	422,5	389,9	269,9	307,4	379,2
2091	247,7	75,8	0,1	422,2	389,8	269,7	307,5	378,8
2092	246,9	75,6	0,0	421,8	389,7	269,6	306,9	378,4
2093	74,4	70,5	11,4	79,7	84,5	87,2	75,7	80,8
2094	113,0	70,4	11,3	79,6	84,3	87,0	79,2	80,7
2095	224,8	70,6	11,2	81,5	84,3	86,7	96,0	81,3
2096	357,3	70,8	11,0	87,9	84,4	86,4	127,9	84,6
2097	460,9	71,4	10,6	99,2	84,9	86,1	189,9	92,3
2098	552,2	71,7	10,4	112,7	85,9	85,8	297,1	103,4
2099	599,5	71,9	10,0	127,6	87,6	85,5	398,6	116,4
2100	592,7	72,9	9,8	143,8	90,3	85,2	463,7	128,4
2101	574,6	73,0	9,6	160,1	94,0	84,8	505,9	139,6
2102	569,0	73,1	9,2	176,0	98,7	84,6	537,6	151,7
2103	586,5	73,3	9,1	191,6	104,6	84,4	571,8	164,9
2104	599,2	74,0	8,8	207,2	111,3	84,2	606,4	178,9
2105	632,8	73,4	8,5	222,8	119,0	84,2	639,7	192,7
2106	665,6	74,1	8,2	238,7	127,7	84,2	673,8	207,1
2107	688,0	74,5	7,9	255,3	136,9	84,4	710,0	221,8
2108	689,0	76,0	7,6	272,4	145,9	84,7	738,7	236,9
2109	691,1	75,8	7,3	289,0	153,6	85,2	757,8	252,5
2110	695,4	75,0	7,0	304,8	161,5	85,9	774,1	267,7
2111	699,0	76,3	6,7	319,8	170,2	86,6	788,3	282,8
2112	698,6	75,8	6,4	334,0	179,2	87,6	796,0	297,4
2113	673,9	77,5	6,2	348,0	188,0	88,7	794,6	311,6
2114	649,9	77,7	5,9	361,7	197,0	89,9	785,9	325,0
2115	635,6	78,0	5,7	374,9	205,9	91,3	772,5	337,8
2116	632,1	76,8	5,5	388,0	214,8	92,8	760,1	350,0
2117	632,3	76,7	5,3	400,6	223,6	94,6	749,0	361,6
2118	633,6	75,5	5,1	412,7	232,2	96,4	739,2	373,0
2119	633,0	76,9	4,9	424,5	240,7	98,3	732,3	384,0
2120	631,6	77,3	4,7	435,4	248,8	100,4	726,8	394,8
2121	624,9	77,5	4,5	445,8	256,9	102,5	720,6	405,5
2122	612,5	77,2	4,3	456,1	264,7	104,6	712,5	416,0
2123	603,9	77,1	4,1	466,6	272,5	106,7	704,0	426,4
2124	600,8	77,4	3,9	476,7	280,0	108,7	696,8	436,5
2125	594,9	77,6	3,8	486,1	287,6	111,0	691,4	446,4
2126	588,9	77,4	3,6	494,8	294,9	113,0	683,9	455,9
2127	599,6	77,0	3,5	502,8	302,2	115,2	678,4	465,2
2128	603,1	77,0	29,5	510,1	311,0	117,7	679,7	474,0
2129	608,9	78,4	29,3	511,2	318,4	119,8	682,9	481,1
2130	605,0	76,4	29,1	509,1	323,6	122,3	681,9	485,3
2131	603,0	77,9	28,9	505,7	327,6	124,5	681,4	487,4
2132	603,9	78,4	28,6	502,1	330,3	126,9	679,9	488,0
2133	602,6	77,3	28,4	499,7	332,3	129,2	678,8	487,6
2134	601,3	76,9	28,2	498,4	333,4	131,3	676,3	486,7
2135	595,8	77,3	28,0	497,6	334,0	133,4	673,1	485,6
2136	594,3	76,9	27,7	497,0	334,3	135,5	670,1	484,4

20-21-22-23-

20-21-22-20-23

Aging PI-20221

2137	590,1	76,0	27,5	496,4	334,2	137,5	667,3	483,2
2138	590,5	77,2	27,3	495,8	333,9	139,4	664,7	482,0
2139	589,6	76,9	27,1	495,5	333,4	141,3	662,3	480,9
2140	587,5	76,8	26,9	495,5	332,7	143,1	661,1	479,8
2141	586,8	77,6	26,7	495,6	331,8	144,9	659,6	478,6
2142	590,7	77,7	26,5	496,0	330,9	146,5	659,8	477,7
2143	592,6	78,1	26,3	496,9	329,9	148,1	660,7	476,9
2144	596,5	78,0	26,0	498,4	328,8	149,6	663,2	476,2
2145	600,4	78,4	25,8	500,4	327,8	151,1	665,8	475,7
2146	608,0	77,1	25,5	502,7	327,0	152,5	671,3	475,4
2147	617,1	79,0	25,3	505,6	326,1	153,8	677,0	475,6
2148	628,8	79,1	25,1	508,7	325,4	155,1	684,3	476,1
2149	637,7	77,7	24,8	511,9	324,9	156,4	693,5	476,8
2150	647,4	78,5	24,5	515,4	324,7	157,5	704,7	478,0
2151	656,6	79,0	24,3	519,0	324,6	158,8	718,2	479,6
2152	664,4	79,3	24,0	522,7	324,6	160,0	733,1	481,5
2153	671,7	80,1	23,7	526,5	324,7	161,1	749,8	483,8
2154	683,0	79,5	23,5	530,3	324,9	162,4	768,0	486,6
2155	690,2	79,8	23,1	534,1	325,1	163,6	784,0	489,7
2156	700,2	79,4	22,9	537,9	325,4	164,7	798,3	493,3
2157	713,8	79,4	22,5	541,7	325,9	165,9	812,8	497,3
2158	720,1	79,8	22,2	545,7	326,6	167,1	825,7	502,1
2159	721,8	79,5	21,9	549,9	327,3	168,2	836,8	507,2
2160	723,4	81,2	21,6	554,1	328,2	169,3	844,3	512,9
2161	727,9	81,3	21,3	558,3	329,4	170,6	851,3	518,7
2162	728,2	80,9	21,1	562,6	330,6	171,8	858,3	524,7
2163	727,4	80,8	20,7	566,9	331,7	173,2	863,8	530,5
2164	727,4	82,2	20,4	571,1	333,0	174,4	866,4	536,3
2165	726,3	82,2	20,1	575,5	334,5	175,8	869,6	542,0
2166	724,9	82,6	19,8	579,9	335,9	177,1	872,0	547,4
2167	727,5	81,1	19,5	584,2	337,5	178,5	872,4	552,7
2168	727,6	80,7	19,2	588,5	338,9	179,8	871,4	557,8
2169	730,4	81,0	19,0	592,6	340,4	181,1	872,2	562,8
2170	733,5	80,3	18,6	596,8	341,9	182,6	873,0	568,0
2171	734,4	82,6	18,3	601,1	343,6	184,1	876,7	573,0
2172	733,4	83,0	18,0	605,3	345,2	185,6	878,6	577,8
2173	732,5	81,6	17,7	609,6	347,2	187,2	878,3	582,4
2174	730,1	82,0	17,5	613,8	349,0	188,8	879,8	586,9
2175	727,6	81,6	17,2	618,1	350,9	190,4	880,5	591,4
2176	728,4	81,0	16,9	622,5	352,9	192,0	880,9	595,9
2177	727,5	81,7	16,6	626,9	354,9	193,7	882,0	600,2
2178	726,2	82,9	16,2	631,5	357,0	195,4	884,3	604,4
2179	726,5	81,1	16,0	635,8	359,1	197,1	883,9	608,5
2180	725,0	82,6	15,8	640,4	361,3	198,9	884,1	612,6
2181	724,9	82,9	15,5	644,8	363,5	200,7	883,7	616,6
2182	726,0	82,5	15,2	649,2	365,8	202,6	882,2	620,4
2183	724,2	82,1	15,0	653,4	368,1	204,4	880,5	624,2
2184	722,5	82,2	14,7	657,8	370,6	206,4	875,7	627,9
2185	718,2	82,1	14,5	662,2	373,1	208,4	872,7	631,5
2186	714,4	82,8	14,2	666,7	375,6	210,6	867,0	635,0
2187	707,1	83,6	14,0	670,9	378,1	212,4	859,8	638,4
2188	705,0	82,4	13,7	674,7	380,8	214,4	851,7	641,6
2189	701,2	83,3	13,5	678,1	383,6	216,5	844,2	644,6
2190	698,2	82,4	13,3	681,3	386,5	218,6	838,0	647,4
2191	695,4	81,9	13,1	684,4	389,5	220,6	832,4	650,1
2192	691,9	81,8	12,8	687,2	392,4	222,7	828,0	652,8
2193	687,4	82,0	12,6	689,8	395,3	224,8	823,5	655,3
2194	684,1	81,9	12,4	692,2	398,2	227,0	818,8	657,7
2195	677,5	82,8	12,2	694,6	401,2	229,4	814,6	660,0
2196	659,4	81,9	12,1	697,0	404,1	231,9	808,1	662,3
2197	648,0	82,8	11,9	699,2	407,0	234,3	797,2	664,4
2198	634,9	83,3	11,7	700,8	409,8	236,7	784,7	666,3
2199	625,2	81,1	11,5	701,9	412,4	239,0	769,7	667,8
2200	613,7	80,9	11,4	702,4	415,1	241,2	754,1	668,8
2201	604,6	80,9	11,2	702,4	417,6	243,6	739,8	669,4
2202	599,2	82,0	11,1	702,2	420,0	245,7	725,0	669,7
2203	593,0	81,1	11,0	701,7	422,2	248,0	711,2	669,7
2204	588,2	80,5	10,8	700,9	424,3	250,0	699,3	669,4
2205	583,3	80,2	10,7	699,8	426,4	252,2	689,4	669,0
2206	574,1	80,5	10,6	698,4	428,3	254,5	679,2	668,5
2207	566,4	79,9	10,5	696,4	430,0	256,7	669,4	667,9
2208	560,7	79,8	10,4	694,1	431,5	259,0	658,6	667,3
2209	554,1	79,8	10,2	691,4	432,8	261,2	648,7	666,5
2210	549,0	80,5	10,2	688,4	434,0	263,5	639,9	665,4
2211	543,4	79,7	10,1	685,1	434,9	265,8	632,1	664,0
2212	536,6	79,8	10,0	681,7	435,9	268,0	623,5	662,2
2213	530,1	79,9	9,9	678,1	436,8	270,2	615,6	660,0
2214	524,2	79,7	9,8	674,4	437,3	272,3	606,6	657,7
2215	517,0	79,2	9,7	670,4	437,8	274,2	598,4	655,3
2216	511,7	79,9	9,6	666,3	438,2	276,0	590,2	652,5
2217	508,8	79,1	9,5	662,3	438,6	277,6	583,8	649,7
2218	502,1	79,7	9,5	658,2	438,5	279,3	578,0	646,7
2219	498,1	79,3	9,3	654,1	438,7	280,8	571,8	643,8
2220	493,0	79,2	9,3	650,1	438,7	282,3	565,6	640,9
2221	488,4	79,3	9,2	646,0	438,8	283,5	559,2	637,6
2222	485,7	79,1	9,1	641,6	438,7	284,6	553,7	634,2
2223	479,9	78,8	9,0	637,4	438,3	285,7	548,4	630,7
2224	474,3	78,9	9,0	633,1	437,7	286,7	543,0	626,8
2225	469,8	78,6	8,9	629,0	436,7	287,3	537,0	622,6
2226	465,1	78,9	8,9	625,0	435,3	288,0	531,5	618,2
2227	460,6	78,5	8,8	620,9	433,7	288,7	525,3	613,7
2228	456,0	77,9	8,8	617,1	431,9	289,3	518,7	609,4
2229	451,1	78,5	8,7	613,3	430,1	289,8	513,0	605,0

Aging PI-20221

2230	448,8	78,8	8,6	609,5	428,0	290,3	507,9	600,7
2231	445,3	77,9	8,6	605,8	425,9	290,8	502,4	596,4
2232	442,6	77,8	8,5	602,1	423,8	291,1	498,3	592,1
2233	440,3	78,6	8,4	598,6	421,6	291,5	494,1	587,8
2234	437,1	77,8	8,4	595,1	419,5	291,7	490,0	583,6
2235	433,7	77,7	8,3	591,8	417,7	291,9	485,4	579,6
2236	431,3	77,4	8,3	588,5	415,8	292,1	481,4	575,6
2237	424,6	77,9	8,2	585,2	413,9	292,2	476,7	571,8
2238	416,5	77,6	8,1	581,5	412,0	292,3	471,5	567,9
2239	410,5	78,2	8,1	577,5	410,1	292,4	465,8	563,9
2240	406,6	78,2	8,0	573,1	407,9	292,5	460,6	559,8
2241	402,1	77,6	8,0	568,6	405,5	292,5	455,9	555,6
2242	398,0	77,4	7,9	564,2	403,2	292,5	450,7	551,4
2243	394,5	77,8	7,9	559,9	400,7	292,5	446,1	547,1
2244	390,5	77,9	7,8	555,8	398,0	292,5	441,5	543,0
2245	387,8	77,1	7,8	551,7	395,3	292,4	436,8	538,9
2246	385,3	77,8	7,7	547,7	392,6	292,3	433,2	534,9
2247	382,2	78,1	7,7	543,9	390,0	292,2	428,8	530,9
2248	382,0	77,5	7,7	540,3	387,4	292,0	425,4	527,1
2249	383,8	77,0	7,6	537,1	384,8	291,8	422,4	523,3
2250	385,0	78,1	7,5	534,5	382,3	291,7	420,1	520,0
2251	387,2	77,5	7,4	532,5	380,0	291,6	418,1	516,7
2252	387,5	77,4	7,4	531,3	377,7	291,4	417,0	513,9
2253	388,8	78,2	7,4	530,5	375,8	291,3	416,1	511,3
2254	391,0	77,9	7,3	530,0	374,3	291,2	414,9	508,9
2255	391,5	77,8	7,2	529,6	373,1	291,1	414,9	507,1
2256	393,4	76,8	7,2	529,4	372,4	291,0	414,0	505,4
2257	394,5	77,7	7,1	529,4	371,8	290,9	414,3	504,2
2258	395,9	77,2	7,1	529,4	371,9	290,9	413,7	503,1
2259	396,2	76,9	7,0	529,4	372,1	290,9	413,8	502,1
2260	397,2	76,5	7,0	529,4	372,3	290,9	413,5	501,3
2261	397,2	76,9	6,9	529,5	372,8	290,9	413,5	500,7
2262	397,7	77,5	6,8	529,5	373,3	291,0	413,9	500,1
2263	396,3	76,5	6,8	529,6	373,8	291,0	414,3	499,3
2264	397,7	77,1	6,7	529,5	374,3	291,1	414,8	498,8
2265	398,0	77,6	6,7	529,5	375,0	291,1	415,4	498,1
2266	399,8	78,0	6,6	529,3	375,5	291,2	416,7	497,6
2267	399,1	77,1	6,5	529,2	376,2	291,3	417,8	497,0
2268	400,6	77,8	6,5	529,1	376,7	291,4	418,3	496,6
2269	399,8	77,7	6,4	529,0	377,0	291,6	418,8	496,3
2270	399,9	76,8	6,4	528,9	377,4	291,8	418,4	496,1
2271	399,1	76,7	6,3	528,8	377,7	291,9	418,6	495,8
2272	399,2	76,9	6,3	528,7	377,9	292,1	419,1	495,6
2273	400,0	77,2	6,2	528,6	378,2	292,2	419,2	495,2
2274	400,7	76,7	6,2	528,4	378,4	292,6	419,5	495,0
2275	401,6	76,9	6,1	528,2	378,6	293,0	420,1	494,7
2276	402,1	76,1	6,0	527,8	379,0	293,4	420,1	494,3
2277	403,3	76,2	6,0	527,4	379,4	293,7	421,2	493,9
2278	404,4	76,7	5,9	527,0	379,8	294,2	421,8	493,6
2279	405,0	76,3	5,9	526,8	380,5	294,7	422,2	493,3
2280	404,9	76,4	5,8	526,7	381,0	295,2	422,5	493,0
2281	406,4	76,2	5,7	526,6	381,8	295,8	423,3	492,7
2282	408,8	76,7	5,7	526,6	382,4	296,3	424,3	492,5
2283	410,1	76,6	5,6	526,9	383,3	296,9	425,9	492,6
2284	410,1	76,8	5,5	527,3	384,3	297,4	426,5	492,7
2285	409,8	76,6	5,5	527,6	385,4	297,9	427,7	492,8
2286	408,6	76,4	5,4	527,8	386,6	298,4	429,0	492,9
2287	404,9	76,3	5,4	527,8	387,7	298,8	429,3	492,7
2288	403,9	76,4	5,3	527,8	388,8	299,2	429,5	492,5
2289	402,4	76,1	5,3	527,6	389,8	299,6	429,4	492,0
2290	401,7	76,5	5,2	527,4	390,7	299,9	429,5	491,4
2291	401,1	76,6	5,2	527,1	391,5	300,2	428,3	490,7
2292	397,9	76,4	5,2	527,0	392,2	300,6	427,2	490,3
2293	395,5	76,0	5,1	526,6	392,8	300,8	425,2	489,9
2294	393,0	76,1	5,0	526,1	393,3	301,0	423,7	489,4
2295	391,5	75,5	5,0	525,3	393,6	301,1	422,1	488,9
2296	389,7	75,9	5,0	524,4	393,6	301,3	420,0	488,3
2297	387,6	76,0	4,9	523,3	393,6	301,5	417,9	487,5
2298	385,8	76,3	4,9	522,2	393,5	301,6	415,7	486,9
2299	383,6	76,0	4,9	521,1	393,4	301,8	413,8	486,2
2300	381,4	75,8	4,9	519,9	393,0	301,9	411,7	485,3
2301	379,7	76,2	4,8	518,7	392,8	301,9	410,6	484,5
2302	377,3	75,9	4,8	517,6	392,6	302,0	408,8	483,5
2303	375,5	75,9	4,8	516,3	392,2	302,2	406,5	482,5
2304	372,5	75,9	4,7	515,0	391,9	302,3	404,4	481,4
2305	370,3	75,5	4,7	513,7	391,5	302,4	402,7	480,2
2306	366,9	75,7	4,7	512,1	391,0	302,5	399,7	478,9
2307	364,2	75,5	4,7	510,4	390,4	302,6	397,0	477,6
2308	362,1	75,5	4,6	508,7	389,7	302,7	394,3	476,4
2309	359,7	76,3	4,6	506,6	388,8	302,8	390,8	474,9
2310	357,0	75,6	4,6	504,5	388,0	302,9	387,8	473,5
2311	354,2	76,0	4,5	502,2	387,0	303,1	384,8	472,0
2312	351,1	75,9	4,5	499,8	385,8	303,2	381,7	470,4
2313	348,5	75,6	4,5	497,3	384,7	303,3	378,1	468,7
2314	345,3	75,9	4,5	494,9	383,2	303,4	374,5	467,0
2315	341,6	75,5	4,4	492,3	381,6	303,6	371,8	465,2
2316	339,3	75,7	4,4	489,6	380,1	303,7	368,8	463,4
2317	337,1	75,9	4,4	486,9	378,6	304,0	365,6	461,7
2318	335,0	75,5	4,4	484,3	377,0	304,1	362,9	460,0
2319	333,3	75,7	4,3	481,9	375,4	304,3	359,9	458,4
2320	330,8	75,6	4,3	479,4	373,7	304,4	357,1	456,8
2321	329,2	75,8	4,3	477,1	372,0	304,6	354,5	455,1
2322	327,8	75,8	4,3	474,8	370,4	304,9	352,1	453,4

Aging PI-20221

2323	325,9	75,5	4,3	472,5	368,9	305,2	349,4	451,9
2324	324,4	75,4	4,3	470,2	367,5	305,4	347,4	450,1
2325	323,8	75,5	4,2	468,2	365,9	305,6	345,7	448,5
2326	322,5	75,4	4,2	466,0	364,5	305,9	343,5	446,9
2327	326,4	75,3	4,2	464,2	363,1	306,2	342,9	445,3
2328	327,8	75,2	4,1	462,7	361,8	306,5	342,0	444,0
2329	326,7	74,9	4,1	461,3	360,6	306,7	341,1	443,1
2330	325,0	75,4	4,1	460,0	359,4	307,0	339,8	442,2
2331	323,3	74,7	4,1	458,7	358,5	307,1	338,5	441,4
2332	321,0	74,8	4,1	457,4	357,5	307,4	337,4	440,4
2333	323,5	75,0	4,1	456,2	357,5	307,8	336,7	439,5
2334	305,4	75,4	31,0	454,6	358,9	308,7	329,5	439,2
2335	347,3	75,3	30,8	450,0	360,2	309,8	331,2	437,3
2336	450,2	76,0	30,6	445,3	360,5	311,1	345,3	433,6
2337	458,9	76,0	30,4	441,7	359,7	312,2	371,2	429,3
2338	513,4	76,0	30,1	438,5	358,2	313,0	412,3	424,7
2339	559,4	76,1	29,9	436,7	355,8	313,7	460,7	420,4
2340	559,7	76,4	29,6	436,1	353,3	314,1	506,2	416,8
2341	563,0	76,7	29,3	435,6	350,8	314,5	545,6	414,1
2342	579,8	77,4	29,0	435,2	348,4	314,6	583,0	412,0
2343	596,3	76,8	28,8	435,3	346,0	314,6	616,3	410,6
2344	603,6	77,5	28,5	436,4	343,7	314,6	642,1	409,8
2345	611,8	78,5	28,3	438,4	341,5	314,5	665,0	409,5
2346	626,2	78,0	28,0	440,9	339,5	314,3	684,5	409,4
2347	646,5	79,3	27,7	444,4	337,6	313,8	704,6	410,0
2348	584,5	78,7	27,4	448,4	335,8	313,4	722,8	411,0
2349	518,8	78,3	27,3	452,1	334,7	313,0	723,5	412,3
2350	478,5	77,3	27,1	454,9	333,6	312,3	708,2	413,6
2351	443,5	78,0	26,9	456,9	332,6	311,7	685,7	414,9
2352	420,2	77,7	26,8	457,8	331,8	311,0	661,6	415,6
2353	403,8	78,0	26,7	457,7	330,7	310,3	638,1	415,7
2354	391,0	77,9	26,5	456,9	329,3	309,5	616,1	415,4
2355	381,5	78,1	26,4	455,4	327,9	308,7	596,0	414,7
2356	374,0	77,6	26,3	453,7	326,2	307,9	577,8	413,8
2357	368,4	78,0	26,2	451,6	324,4	307,1	562,1	412,8
2358	364,2	77,3	26,1	449,2	322,5	306,3	548,9	411,6
2359	359,9	77,7	26,0	446,6	320,5	305,4	538,3	410,4
2360	355,4	77,4	25,8	444,0	318,4	304,5	529,0	409,3
2361	349,0	77,5	25,7	441,3	316,3	303,6	518,3	408,0
2362	348,9	76,9	25,5	438,5	314,3	302,7	510,1	406,9
2363	353,5	76,7	25,4	435,9	312,3	301,7	507,2	405,6
2364	358,4	76,8	25,3	433,8	310,1	300,9	509,5	404,4
2365	362,7	77,1	25,2	432,0	308,0	300,0	514,1	403,3
2366	370,2	77,0	25,1	430,2	306,0	299,0	521,4	402,0
2367	380,2	78,0	24,9	428,8	304,0	298,1	530,6	400,9
2368	389,5	77,9	24,8	427,5	302,2	297,1	541,3	400,0
2369	398,6	77,0	24,6	426,5	300,4	296,1	552,3	399,1
2370	406,7	78,1	24,4	426,0	298,7	295,0	563,3	398,5
2371	415,7	77,2	24,2	425,7	297,1	293,9	573,3	398,5
2372	424,7	78,0	24,1	426,0	295,6	293,0	582,3	398,9
2373	431,4	77,1	24,0	426,8	294,2	291,9	590,9	400,1
2374	438,2	78,7	23,8	428,3	293,0	290,9	600,4	401,6
2375	443,1	77,9	23,6	430,6	292,0	289,9	608,6	403,5
2376	450,4	77,2	23,4	433,3	291,3	288,8	617,4	405,7
2377	458,5	78,4	23,2	435,8	290,9	287,9	626,8	408,1
2378	465,6	78,7	23,0	438,2	291,0	286,9	637,5	410,6
2379	473,3	77,7	22,8	440,5	291,5	285,8	646,9	413,1
2380	478,0	78,3	22,6	443,0	292,6	284,8	655,6	415,7
2381	480,1	78,4	22,4	445,7	294,0	283,8	662,8	418,4
2382	482,3	78,9	22,2	448,5	295,3	282,8	669,9	421,2
2383	482,8	78,9	21,9	451,6	296,8	281,9	675,3	424,1
2384	484,9	78,0	21,8	454,7	298,2	281,0	680,5	427,0
2385	487,1	78,3	21,6	457,9	299,7	280,1	685,5	430,0
2386	490,3	78,5	21,3	461,2	301,3	279,3	689,2	433,0
2387	492,0	79,2	21,1	464,6	302,9	278,4	693,8	435,9
2388	494,7	78,5	20,9	467,9	304,5	277,5	698,9	438,8
2389	499,3	78,8	20,7	471,3	306,1	276,7	703,9	441,7
2390	502,0	78,7	20,5	474,8	307,7	275,9	707,7	444,6
2391	504,3	78,8	20,4	478,4	309,3	275,1	712,0	447,5
2392	507,4	78,8	20,2	482,0	310,9	274,4	716,6	450,3
2393	508,6	79,4	19,9	485,6	312,4	273,6	720,1	453,2
2394	511,4	79,8	19,7	489,2	314,0	272,8	725,7	456,0
2395	513,1	78,7	19,6	492,8	315,6	272,0	730,6	458,8
2396	513,1	80,6	19,3	496,4	317,3	271,4	733,0	461,6
2397	514,8	79,5	19,1	500,0	319,0	270,7	736,7	464,5
2398	516,2	79,9	18,9	503,6	320,6	270,0	740,5	467,2
2399	516,3	80,0	18,7	507,2	322,2	269,2	743,5	470,0
2400	517,3	80,0	18,5	510,8	324,0	268,5	746,1	472,8
2401	517,3	80,0	18,3	514,2	325,6	267,8	747,6	475,7
2402	515,8	80,1	18,2	517,7	327,3	267,2	748,9	478,6
2403	517,6	79,9	18,0	521,0	329,0	266,6	750,9	481,4
2404	516,3	79,6	17,7	524,0	330,6	266,0	751,1	484,2
2405	515,7	80,2	17,5	527,1	332,3	265,4	751,2	486,9
2406	514,1	80,2	17,4	530,2	333,9	264,9	751,1	489,7
2407	515,4	80,2	17,0	533,1	335,5	264,4	751,4	492,4
2408	513,3	80,9	16,9	535,9	337,1	263,8	750,6	495,1
2409	512,8	80,4	16,7	538,5	338,8	263,3	750,1	497,7
2410	511,2	80,5	16,6	541,2	340,4	262,8	749,4	500,3
2411	510,7	80,6	16,4	543,8	342,0	262,3	748,5	502,9
2412	510,0	80,7	16,2	546,3	343,7	261,9	747,6	505,5
2413	511,3	80,4	16,0	548,8	345,4	261,4	747,3	508,1
2414	511,1	80,6	15,8	551,1	347,1	261,0	747,4	510,6
2415	510,2	80,9	15,7	553,3	348,8	260,6	747,9	513,1

20-21-22-23-21-24

2416	510,1	80,9	15,4	555,5	350,5	260,1	748,9	515,6
2417	507,7	80,5	15,3	557,6	352,3	259,7	749,2	517,9
2418	506,4	80,8	15,1	559,4	354,1	259,4	748,3	520,2
2419	505,6	81,1	14,9	561,2	355,9	259,0	748,5	522,3
2420	505,8	80,6	14,7	563,0	357,6	258,6	748,6	524,4
2421	505,0	80,4	14,5	564,8	359,4	258,3	748,7	526,5
2422	504,2	81,0	14,4	566,8	361,1	257,9	747,8	528,5
2423	503,0	81,6	14,2	568,5	362,8	257,6	744,9	530,5
2424	501,7	80,8	13,9	570,2	364,5	257,3	741,2	532,3
2425	501,2	80,8	13,8	571,9	366,2	257,0	739,6	534,1
2426	500,6	80,7	13,7	573,5	367,9	256,7	737,6	535,9
2427	498,8	80,8	13,5	575,0	369,5	256,4	737,6	537,6
2428	496,7	80,9	13,3	576,3	371,1	256,2	738,7	539,2
2429	491,7	80,8	13,2	577,7	372,7	255,9	734,6	540,9
2430	482,4	80,9	13,0	579,2	374,4	255,7	729,8	542,5
2431	476,4	81,0	12,9	580,7	375,9	255,5	723,4	544,0
2432	472,8	80,9	12,7	582,3	377,5	255,2	717,1	545,4
2433	469,3	80,7	12,6	583,8	379,1	255,0	711,5	546,7
2434	467,5	80,7	12,5	585,1	380,7	254,8	707,4	547,9
2435	467,1	80,9	12,3	586,3	382,2	254,6	704,9	548,8
2436	465,0	80,5	12,1	587,3	383,8	254,4	703,1	549,7
2437	464,0	80,5	12,0	588,4	385,5	254,2	700,7	550,5
2438	461,8	80,3	11,9	589,4	387,1	254,1	699,4	551,1
2439	459,6	80,4	11,7	590,4	388,9	253,9	699,2	551,9
2440	457,8	80,7	11,6	591,5	390,6	253,8	697,5	552,5
2441	457,0	80,8	11,5	592,5	392,3	253,7	694,8	553,2
2442	455,7	80,7	11,4	593,5	394,0	253,5	693,2	553,7
2443	454,6	80,4	11,2	594,7	395,8	253,5	691,2	554,2
2444	453,3	80,6	11,1	595,8	397,4	253,4	690,2	554,7
2445	451,9	80,1	10,9	596,9	399,0	253,3	688,5	555,1
2446	451,6	80,5	10,8	598,0	400,5	253,2	686,7	555,6
2447	450,8	80,3	10,7	598,9	401,9	253,2	685,7	556,0
2448	449,0	81,3	10,5	600,0	403,3	253,1	683,9	556,4
2449	447,0	80,6	10,4	601,0	404,8	253,0	681,8	556,7
2450	445,9	80,5	10,3	602,3	406,2	253,0	680,3	557,1
2451	443,4	80,1	10,2	603,5	407,7	253,0	679,9	557,5
2452	441,3	80,5	10,0	604,7	409,1	253,0	679,0	558,0
2453	438,5	80,3	9,9	606,0	410,6	253,0	677,8	558,4
2454	437,7	80,2	9,8	607,1	412,3	253,0	675,7	558,8
2455	435,7	82,3	9,7	608,1	413,8	252,7	674,1	559,1
2456	433,8	80,4	9,5	609,3	415,5	252,8	670,9	559,4
2457	433,1	81,3	9,4	610,1	417,1	252,9	667,1	559,7
2458	430,3	80,7	9,3	611,0	418,6	252,9	663,6	560,0
2459	429,7	80,9	9,1	611,8	420,1	253,0	659,2	560,2
2460	426,5	80,3	9,0	612,7	421,6	253,1	655,7	560,5
2461	422,9	80,6	8,9	613,5	423,0	253,1	651,4	560,9
2462	417,3	80,3	8,8	614,5	424,3	253,2	647,0	561,2
2463	413,7	80,2	8,7	615,6	425,6	253,3	642,0	561,4
2464	411,2	80,3	8,6	616,8	426,8	253,5	637,2	561,6
2465	409,9	80,1	8,5	617,8	428,1	253,6	632,7	561,8
2466	408,4	79,7	8,4	618,7	429,3	253,7	629,5	561,9
2467	408,9	79,9	8,3	619,3	430,5	253,8	626,9	561,8
2468	409,2	80,2	8,2	619,7	431,6	254,0	625,1	561,8
2469	408,8	80,0	8,1	619,7	432,7	254,1	624,1	561,7
2470	408,5	80,1	8,0	619,7	434,0	254,2	623,1	561,5
2471	403,1	79,9	7,9	620,1	435,5	254,3	620,6	561,3
2472	396,0	79,8	7,8	620,2	436,8	254,5	615,8	561,3
2473	390,6	80,3	7,8	619,7	438,0	254,6	609,0	561,3
2474	384,7	79,6	7,7	618,5	439,2	254,7	602,2	561,3
2475	379,6	79,8	7,7	616,8	440,3	254,9	594,4	561,3
2476	374,8	79,3	7,6	614,6	441,2	255,1	584,6	561,2
2477	369,5	79,8	7,6	612,0	442,0	255,2	575,4	560,9
2478	365,4	79,7	7,4	609,3	442,8	255,4	566,7	560,5
2479	361,6	79,9	7,4	606,4	443,3	255,5	558,0	559,9
2480	358,7	79,8	7,3	603,3	443,8	255,7	550,3	559,3
2481	356,5	79,5	7,3	600,3	444,2	255,8	542,9	558,6
2482	353,9	79,3	7,2	597,3	444,4	255,9	536,4	557,7
2483	351,6	78,9	7,2	594,3	444,5	256,1	530,4	556,7
2484	348,8	79,0	7,1	591,3	444,5	256,3	524,5	555,6
2485	345,6	79,1	7,1	588,2	444,5	256,4	518,9	554,3
2486	341,8	79,1	7,0	584,9	444,4	256,5	513,1	552,9
2487	338,1	79,1	7,0	581,6	444,1	256,7	506,6	551,2
2488	334,8	78,7	7,0	578,0	443,7	256,8	500,4	549,3
2489	331,1	78,2	6,9	574,1	443,0	256,9	494,2	547,2
2490	325,8	78,8	6,9	570,1	442,0	257,0	487,0	544,9
2491	322,0	78,6	6,9	565,5	440,7	257,0	480,2	542,3
2492	318,0	78,4	6,8	560,6	438,9	257,0	473,7	539,1
2493	314,6	78,2	6,9	555,7	436,8	256,9	466,8	535,6
2494	311,2	78,4	6,8	551,0	434,3	257,0	460,9	532,1
2495	308,4	77,9	6,8	546,4	431,7	257,0	454,6	528,3
2496	305,6	78,0	6,8	541,9	429,0	256,9	448,9	524,7
2497	303,2	78,7	6,7	537,7	426,1	256,9	443,2	521,2
2498	300,6	79,0	6,7	533,5	423,3	256,9	438,7	517,6
2499	298,3	78,9	6,7	529,7	420,4	257,0	434,0	514,2
2500	296,0	78,7	6,7	525,8	417,5	257,0	428,8	510,9
2501	293,3	77,9	6,7	522,3	414,7	256,9	424,7	507,6
2502	291,2	78,2	6,7	518,9	412,0	256,9	420,5	504,5
2503	289,1	78,3	6,6	515,6	409,2	257,0	416,3	501,3
2504	287,3	78,0	6,6	512,4	406,6	256,9	412,4	498,3
2505	285,4	78,0	6,6	509,3	404,0	257,0	409,1	495,5
2506	283,3	77,9	6,6	506,3	401,4	256,9	405,1	492,8
2507	281,5	77,9	6,5	503,6	399,0	256,9	402,5	490,1
2508	280,2	78,2	6,5	500,9	396,7	257,0	398,9	487,5

2509	278,6	77,9	6,5	498,3	394,3	257,0	395,6	484,9
2510	277,0	77,3	6,4	495,8	392,0	257,0	393,2	482,6
2511	275,6	77,5	6,4	493,5	389,8	257,0	390,1	480,2
2512	274,4	76,2	6,4	491,3	387,5	256,9	387,6	477,9
2513	273,4	75,6	6,4	488,8	385,2	256,8	385,0	475,5
2514	271,8	76,1	6,3	486,7	383,1	256,8	383,1	473,3
2515	270,8	76,4	6,4	484,5	380,9	256,8	380,9	471,2
2516	268,9	76,3	6,3	482,6	379,0	256,7	378,4	469,2
2517	268,2	76,2	6,3	480,7	377,0	256,8	376,9	467,3
2518	267,1	76,6	6,3	478,8	375,2	256,8	374,4	465,5
2519	265,5	76,7	6,2	476,9	373,4	256,8	372,9	463,7
2520	264,5	76,8	6,2	475,2	371,6	256,9	370,9	462,1
2521	263,7	76,7	6,2	473,5	369,8	257,0	369,3	460,5
2522	262,1	76,9	6,2	471,8	368,3	257,1	367,5	458,9
2523	261,2	76,9	6,1	470,2	366,6	257,1	366,1	457,4
2524	260,2	76,7	6,1	468,7	365,0	257,3	364,2	456,0
2525	258,8	76,7	6,1	467,4	363,5	257,1	362,2	454,8
2526	259,0	76,0	6,1	465,6	361,7	257,1	359,9	452,9
2527	257,5	74,7	6,1	464,0	360,2	257,2	358,3	451,3
2528	255,9	75,5	6,0	462,4	358,7	257,3	356,7	449,8
2529	255,0	75,5	6,0	460,9	357,2	257,3	354,9	448,4
2530	254,4	75,8	6,0	459,5	355,9	257,5	353,4	447,1
2531	253,2	75,9	6,0	458,2	354,4	257,6	352,1	445,7
2532	252,1	75,9	6,0	456,9	353,1	257,7	350,6	444,3
2533	251,6	76,7	6,0	455,7	351,8	257,7	349,4	443,0
2534	250,9	75,6	6,0	454,5	350,6	257,9	347,9	441,8
2535	250,3	75,3	5,9	453,4	349,4	258,0	346,5	440,5
2536	249,4	76,5	6,0	452,1	348,2	258,0	345,9	439,1
2537	249,4	76,1	5,9	451,1	347,1	258,2	345,0	438,1
2538	248,6	76,1	5,9	450,0	346,0	258,3	344,0	437,0
2539	248,0	75,7	5,8	449,0	344,9	258,4	343,0	435,8
2540	247,3	76,1	5,8	448,0	343,9	258,6	341,7	434,9
2541	246,9	75,8	5,8	447,1	342,9	258,7	341,1	433,9
2542	246,2	75,4	5,8	446,2	341,9	258,8	339,8	432,9
2543	245,8	75,3	5,8	445,2	340,9	259,0	338,8	432,0
2544	245,3	75,5	5,7	444,4	340,0	259,3	337,4	431,0
2545	244,7	75,4	5,7	443,5	339,1	259,4	336,6	430,0
2546	244,3	75,6	5,7	442,6	338,2	259,7	335,2	429,1
2547	243,8	75,4	5,7	441,8	337,4	259,8	334,1	428,2
2548	243,0	75,3	5,6	441,0	336,5	260,1	332,6	427,3
2549	243,2	75,9	5,6	440,2	335,6	260,3	332,1	426,5
2550	242,3	75,4	5,6	439,5	334,9	260,5	331,4	425,5
2551	241,3	75,8	5,6	438,9	334,0	260,6	330,4	424,7
2552	241,0	76,1	5,6	438,2	333,3	260,8	329,6	423,9
2553	240,7	75,9	5,6	437,6	332,5	261,0	329,1	423,1
2554	240,4	75,7	5,5	437,2	331,8	261,2	328,5	422,4
2555	239,7	76,0	5,5	436,8	331,1	261,4	327,9	421,5
2556	239,4	76,5	5,5	436,2	330,4	261,5	327,2	420,8
2557	239,4	76,0	5,5	435,7	329,7	261,7	326,8	420,1
2558	238,4	76,0	5,4	435,1	329,1	261,9	326,7	419,5
2559	238,3	75,7	5,5	434,7	328,6	262,0	326,1	418,8
2560	238,1	75,6	5,4	434,1	327,9	262,1	326,0	418,2
2561	237,7	76,0	5,4	433,6	327,4	262,3	325,5	417,5
2562	237,6	75,6	5,4	433,1	326,8	262,3	324,9	416,8
2563	237,1	76,0	5,4	432,6	326,2	262,5	324,8	416,3
2564	237,0	75,7	5,3	432,1	325,7	262,6	324,6	415,6
2565	237,1	75,8	5,4	431,6	325,2	262,8	324,3	414,9
2566	237,0	75,3	5,3	431,2	324,7	262,9	323,9	414,4
2567	236,7	75,5	5,3	430,7	324,2	263,1	323,3	413,7
2568	236,2	75,3	5,3	430,3	323,8	263,3	323,0	413,2
2569	235,0	75,1	5,3	430,0	323,3	263,5	322,8	412,6
2570	234,4	75,4	5,3	429,7	322,9	263,7	321,7	412,1
2571	234,2	75,5	5,2	429,3	322,5	263,9	320,6	411,6
2572	233,6	75,5	5,2	429,0	322,2	264,0	319,7	411,1
2573	233,2	75,5	5,2	428,6	321,8	264,3	319,0	410,5
2574	232,9	75,5	5,2	428,1	321,5	264,4	318,2	410,0
2575	232,2	75,5	5,2	427,7	321,1	264,7	317,3	409,5
2576	231,8	75,6	5,1	427,2	320,8	264,9	316,8	408,9
2577	231,5	75,5	5,1	426,7	320,5	265,0	316,2	408,3
2578	231,1	75,3	5,1	426,2	320,2	265,3	315,5	407,7
2579	231,0	75,3	5,1	425,7	319,9	265,5	314,8	407,1
2580	230,9	74,9	5,1	425,1	319,7	265,7	314,5	406,6
2581	230,9	75,9	5,0	424,7	319,5	265,9	313,7	406,0
2582	230,1	75,1	5,1	424,2	319,2	266,2	313,6	405,4
2583	229,7	74,8	5,0	423,8	318,9	266,4	313,0	404,8
2584	229,1	75,1	5,0	423,2	318,7	266,6	312,3	404,4
2585	228,9	75,1	5,0	422,7	318,4	266,8	311,5	403,8
2586	228,2	75,0	5,0	422,2	318,1	267,0	310,6	403,2
2587	227,8	75,3	4,9	421,6	317,9	267,2	310,1	402,7
2588	227,5	75,1	4,9	421,0	317,7	267,4	309,6	402,2
2589	227,3	75,1	4,9	420,5	317,4	267,6	309,1	401,7
2590	227,0	75,2	4,9	419,9	317,2	267,8	308,6	401,1
2591	226,5	75,1	4,9	419,4	316,9	268,0	308,3	400,8
2592	226,3	75,2	4,9	418,7	316,8	268,2	308,0	400,3
2593	226,3	75,0	4,9	418,2	316,5	268,4	307,6	399,9
2594	226,3	75,3	4,8	417,6	316,3	268,6	306,9	399,4
2595	225,8	75,0	4,8	417,0	316,1	268,8	306,4	399,0
2596	225,8	75,2	4,8	416,4	315,9	269,0	306,1	398,5
2597	225,1	75,1	4,8	415,8	315,7	269,1	306,1	398,0
2598	224,9	75,1	4,7	415,3	315,6	269,4	305,7	397,6
2599	225,1	75,1	4,7	414,7	315,5	269,6	305,5	397,1
2600	224,5	74,9	4,7	414,2	315,3	269,8	305,2	396,8
2601	224,3	75,0	4,7	413,6	315,1	270,0	305,0	396,3

Aging PI-20221

2602	224,2	74,9	4,7	413,1	314,9	270,2	304,5	395,9
2603	223,9	74,9	4,7	412,5	314,7	270,4	304,2	395,5
2604	223,7	75,0	4,6	412,0	314,5	270,6	303,8	395,1
2605	223,3	75,1	4,6	411,4	314,5	270,8	303,2	394,7
2606	222,7	74,9	4,6	410,8	314,3	271,0	302,8	394,4
2607	222,6	75,2	4,6	410,2	314,1	271,2	302,3	394,0
2608	222,2	74,7	4,6	409,6	314,0	271,4	302,1	393,7
2609	222,3	75,2	4,6	408,9	313,9	271,6	301,5	393,3
2610	222,3	74,6	4,6	408,2	313,8	271,8	301,2	393,0
2611	221,9	74,6	4,5	407,5	313,6	272,0	300,7	392,5
2612	221,3	75,2	4,5	406,9	313,5	272,2	300,2	392,2
2613	220,6	74,9	4,5	406,3	313,4	272,4	299,8	391,8
2614	220,4	75,0	4,5	405,7	313,3	272,6	299,4	391,4
2615	220,0	74,9	4,5	405,1	313,1	272,8	299,2	391,0
2616	219,6	74,8	4,5	404,5	313,0	273,0	298,9	390,6
2617	219,7	74,5	4,5	403,8	312,9	273,2	298,3	390,2
2618	219,4	74,7	4,5	403,2	312,7	273,3	297,8	389,9
2619	219,1	74,6	4,4	402,6	312,5	273,5	297,5	389,5
2620	218,8	75,0	4,4	402,0	312,4	273,7	297,2	389,1
2621	218,5	74,8	4,4	401,5	312,3	273,9	296,6	388,7
2622	218,6	74,4	4,4	400,9	312,2	274,0	296,5	388,3
2623	218,1	75,0	4,4	400,3	312,1	274,1	296,3	388,0
2624	217,7	74,5	4,3	399,8	311,9	274,3	295,7	387,6
2625	217,5	74,4	4,3	399,2	311,8	274,4	295,2	387,2
2626	217,9	74,4	4,3	398,8	311,7	274,6	295,0	386,9
2627	217,0	74,4	4,3	398,4	311,5	274,7	294,4	386,6
2628	216,9	74,2	4,3	398,1	311,3	274,9	294,2	386,2
2629	216,7	74,6	4,3	397,7	311,3	275,0	293,7	385,9
2630	216,5	74,5	4,2	397,3	311,2	275,2	293,4	385,6
2631	216,6	74,3	4,2	396,9	311,1	275,3	293,0	385,3
2632	216,5	74,4	4,2	396,6	311,0	275,4	292,8	385,0
2633	216,2	74,2	4,2	396,2	310,9	275,6	292,6	384,7
2634	216,3	73,9	4,2	395,8	310,8	275,6	292,4	384,3
2635	216,2	74,4	4,2	395,5	310,8	275,8	291,9	384,0
2636	215,9	74,2	4,1	395,1	310,7	276,0	291,8	383,7
2637	215,7	74,1	4,1	394,8	310,7	276,1	291,5	383,5
2638	215,7	73,9	4,1	394,5	310,6	276,2	291,3	383,3
2639	215,1	73,9	4,1	394,2	310,6	276,3	291,0	383,1
2640	215,3	74,2	4,1	393,9	310,6	276,5	290,7	382,9
2641	215,1	73,9	4,1	393,5	310,6	276,6	290,6	382,7
2642	215,1	73,9	4,0	393,2	310,5	276,7	290,3	382,5
2643	215,1	73,8	4,0	393,0	310,6	276,9	290,3	382,3
2644	214,9	74,0	4,0	392,6	310,6	277,0	290,1	382,1
2645	214,4	73,8	4,0	392,4	310,7	277,1	290,1	381,9
2646	214,3	74,0	4,0	392,1	310,7	277,2	289,7	381,7
2647	214,1	73,8	4,0	391,9	310,8	277,4	289,4	381,4
2648	213,7	73,9	3,9	391,7	310,9	277,5	289,1	381,1
2649	213,6	74,0	3,9	391,5	311,0	277,7	288,8	380,8
2650	213,6	73,8	3,9	391,2	310,9	277,8	288,9	380,6
2651	213,6	74,0	3,9	391,0	311,0	277,9	288,6	380,3
2652	213,5	73,6	3,9	390,7	311,1	278,1	288,4	380,0
2653	213,5	73,9	3,8	390,5	311,1	278,2	288,3	379,8
2654	213,3	73,6	3,8	390,3	311,2	278,3	288,1	379,5
2655	213,1	73,8	3,8	390,0	311,2	278,5	287,7	379,3
2656	212,9	73,8	3,8	389,7	311,3	278,5	287,5	379,0
2657	213,0	74,0	3,8	389,5	311,3	278,7	287,2	378,8
2658	212,6	73,4	3,8	389,2	311,3	278,8	287,3	378,6
2659	212,6	73,7	3,7	388,8	311,4	279,0	286,9	378,3
2660	211,9	73,7	3,8	388,7	311,5	279,1	286,8	378,0
2661	211,9	73,6	3,7	388,5	311,7	279,2	286,7	377,7
2662	211,2	73,6	3,7	388,2	311,8	279,3	286,6	377,5
2663	211,2	73,6	3,7	387,9	311,9	279,4	286,2	377,1
2664	210,7	73,5	3,7	387,7	311,9	279,6	285,9	376,8
2665	210,4	73,5	3,7	387,4	312,0	279,7	285,4	376,4
2666	209,9	73,4	3,7	387,1	312,0	279,8	285,0	376,1
2667	209,7	73,6	3,6	386,8	312,0	279,9	284,5	375,7
2668	209,0	73,7	3,6	386,4	312,1	280,1	284,0	375,3
2669	208,8	73,4	3,6	386,0	312,1	280,2	283,5	375,0
2670	208,6	73,3	3,6	385,7	312,1	280,3	283,0	374,6
2671	208,3	73,3	3,6	385,3	312,1	280,5	282,4	374,3
2672	207,9	73,3	3,6	385,0	312,1	280,6	282,0	373,9
2673	207,7	73,2	3,6	384,6	312,1	280,7	281,4	373,5
2674	207,5	73,3	3,5	384,1	312,1	280,9	280,6	373,2
2675	207,0	73,2	3,5	383,8	312,1	281,1	280,3	372,8
2676	206,7	73,2	3,5	383,4	312,2	281,2	279,7	372,5
2677	206,2	73,3	3,5	383,0	312,2	281,3	279,3	372,1
2678	205,6	73,0	3,5	382,6	312,2	281,5	278,5	371,7
2679	205,6	73,1	3,5	382,2	312,1	281,6	277,9	371,3
2680	205,1	73,1	3,4	381,8	312,2	281,8	277,5	370,9
2681	205,0	73,2	3,4	381,4	312,2	281,9	276,5	370,5
2682	204,6	73,1	3,4	381,0	312,3	282,1	276,0	370,0
2683	204,4	73,1	3,4	380,6	312,3	282,2	275,5	369,6
2684	204,2	73,2	3,4	380,2	312,3	282,3	275,0	369,2
2685	204,0	73,4	3,3	379,8	312,4	282,5	274,8	368,7
2686	203,2	73,0	3,4	379,3	312,4	282,6	274,3	368,3
2687	203,2	73,1	3,3	378,9	312,5	282,7	273,7	367,9
2688	202,9	73,0	3,4	378,5	312,5	282,8	273,2	367,4
2689	202,3	72,8	3,3	378,2	312,6	282,9	272,8	366,9
2690	202,3	73,3	3,3	377,8	312,7	283,0	272,2	366,5
2691	202,2	73,0	3,3	377,4	312,7	283,1	271,7	366,0
2692	201,9	72,9	3,3	377,0	312,9	283,2	271,4	365,5
2693	201,6	72,9	3,2	376,7	312,9	283,3	271,0	365,1
2694	201,3	72,9	3,2	376,3	313,1	283,4	270,8	364,6

2695	201,1	72,7	3,2	376,0	313,2	283,4	270,4	364,2
2696	200,8	72,7	3,3	375,7	313,3	283,6	269,8	363,7
2697	200,6	72,7	3,2	375,3	313,4	283,7	269,7	363,3
2698	200,4	72,7	3,2	375,0	313,7	283,8	268,9	362,9
2699	200,4	72,6	3,1	374,7	313,8	283,9	268,8	362,5
2700	200,7	72,5	3,2	374,5	314,1	284,0	268,4	362,1
2701	200,5	72,8	3,2	374,3	314,3	284,1	268,4	361,7
2702	200,2	72,6	3,1	374,1	314,5	284,3	267,7	361,4
2703	200,2	72,9	3,1	373,9	314,7	284,4	267,8	360,9
2704	200,3	72,5	3,1	373,7	314,9	284,5	267,4	360,6
2705	199,9	72,7	3,1	373,5	315,2	284,7	267,2	360,2
2706	199,5	72,6	3,1	373,3	315,4	284,8	267,0	359,9
2707	199,5	72,5	3,0	373,2	315,7	284,9	267,0	359,5
2708	199,7	72,5	3,0	373,1	316,0	285,0	266,6	359,2
2709	199,5	72,3	3,0	372,9	316,3	285,1	266,2	358,9
2710	199,1	72,6	3,0	372,9	316,5	285,3	265,9	358,6
2711	199,4	72,6	3,0	372,8	316,8	285,4	265,8	358,4
2712	199,2	72,5	3,0	372,7	317,1	285,6	265,8	358,1
2713	199,0	72,2	2,9	372,7	317,4	285,7	265,6	357,8
2714	199,4	72,2	2,9	372,6	317,6	285,9	265,8	357,6
2715	199,3	72,4	2,9	372,6	318,0	286,1	265,5	357,3
2716	198,9	72,4	2,9	372,5	318,3	286,2	265,4	357,1
2717	199,0	72,3	2,9	372,5	318,6	286,4	265,3	356,8
2718	199,1	72,3	2,9	372,4	318,8	286,5	265,1	356,6
2719	199,0	72,7	2,9	372,4	319,2	286,7	265,0	356,5
2720	199,1	72,5	2,8	372,4	319,6	286,9	265,0	356,4
2721	198,9	72,3	2,8	372,4	319,8	287,1	265,1	356,5
2722	199,3	72,4	2,8	372,4	320,1	287,2	264,9	356,6
2723	199,1	72,4	2,8	372,5	320,4	287,4	264,8	356,8
2724	199,4	72,3	2,8	372,5	320,7	287,5	265,0	357,0
2725	199,1	72,1	2,8	372,5	321,0	287,7	265,3	357,2
2726	199,2	72,2	2,8	372,6	321,3	287,9	265,7	357,5
2727	198,9	72,1	2,8	372,6	321,6	288,1	265,8	357,8
2728	199,4	71,9	2,7	372,7	321,8	288,2	265,6	358,1
2729	199,6	72,1	2,7	372,7	322,1	288,4	265,9	358,3
2730	199,4	72,1	2,7	372,8	322,3	288,6	265,8	358,5
2731	199,3	72,1	2,7	372,8	322,6	288,7	265,9	358,8
2732	199,2	72,2	2,7	373,0	322,8	288,9	265,9	359,0
2733	199,3	72,0	2,7	372,9	323,0	289,1	266,0	359,3
2734	199,5	72,1	2,7	373,0	323,3	289,3	266,0	359,6
2735	199,4	72,0	2,7	373,0	323,6	289,4	266,3	359,8
2736	199,7	72,4	2,6	373,0	323,8	289,6	266,1	360,0
2737	199,7	72,2	2,6	373,1	324,1	289,8	266,1	360,2
2738	199,9	71,8	2,5	373,1	324,3	290,0	266,2	360,5
2739	199,9	72,1	2,6	373,1	324,5	290,2	266,5	360,6
2740	200,3	71,8	2,6	373,2	324,7	290,4	266,4	360,8
2741	200,2	71,8	2,5	373,1	325,0	290,5	266,6	361,0
2742	199,9	72,0	2,5	373,3	325,3	290,8	266,6	361,1
2743	200,4	72,0	2,6	373,3	325,6	291,0	266,9	361,3
2744	200,4	72,0	2,5	373,4	325,9	291,2	267,0	361,4
2745	200,8	71,8	2,5	373,5	326,3	291,4	267,7	361,6
2746	200,6	71,8	2,5	373,6	326,7	291,6	267,6	361,8
2747	200,9	71,9	2,4	373,7	327,0	291,8	268,0	362,0
2748	201,3	71,4	2,5	373,9	327,4	292,1	268,1	362,2
2749	201,9	71,6	2,4	374,0	327,9	292,3	268,2	362,3
2750	202,3	71,7	2,4	374,1	328,3	292,5	268,1	362,6
2751	202,5	72,0	2,4	374,2	328,7	292,7	268,6	362,8
2752	202,6	71,7	2,4	374,2	329,2	293,0	268,8	363,0
2753	202,9	71,8	2,4	374,2	329,8	293,2	268,7	363,3
2754	203,0	71,7	2,4	374,1	330,2	293,5	269,0	363,5
2755	203,4	71,6	2,4	374,1	330,8	293,7	269,5	363,8
2756	203,9	71,6	2,3	374,2	331,3	293,9	269,9	363,9
2757	203,7	71,6	2,3	374,4	331,8	294,2	270,2	364,2
2758	204,0	71,6	2,3	374,6	332,4	294,4	270,7	364,4
2759	204,0	71,6	2,3	374,9	333,0	294,8	270,9	364,7
2760	204,7	71,7	2,2	375,1	333,6	295,0	271,7	365,0
2761	205,0	71,7	2,3	375,4	334,2	295,3	271,4	365,3
2762	205,1	71,8	2,2	375,6	334,9	295,7	271,5	365,6
2763	204,7	71,5	2,2	376,0	335,6	296,0	271,9	365,8
2764	205,2	71,5	2,2	376,2	336,2	296,2	272,3	366,1
2765	205,7	71,5	2,1	376,5	337,1	296,5	272,7	366,4
2766	205,8	71,5	2,1	376,8	337,7	296,9	273,0	366,7
2767	206,0	71,4	2,1	377,1	338,5	297,2	273,6	367,0
2768	206,3	71,6	2,1	377,4	339,3	297,5	274,0	367,3
2769	206,6	71,7	2,1	377,7	340,0	297,8	274,3	367,5
2770	207,0	72,0	2,1	378,1	340,8	298,1	274,3	367,9
2771	207,0	71,5	2,0	378,6	341,6	298,3	274,5	368,2
2772	207,1	71,3	2,0	379,1	342,4	298,6	275,3	368,5
2773	207,4	71,5	2,0	379,7	343,3	298,9	275,9	368,6
2774	207,8	71,5	2,0	380,3	344,0	299,2	276,1	368,8
2775	207,5	71,4	2,0	380,8	344,8	299,5	276,6	368,9
2776	207,5	71,5	1,9	381,3	345,7	299,8	276,9	369,0
2777	207,8	71,4	2,0	381,7	346,5	300,1	277,0	369,0
2778	208,1	71,8	1,9	382,1	347,4	300,4	277,8	369,0
2779	208,2	71,5	1,9	382,5	348,3	300,7	277,7	369,1
2780	208,4	71,4	1,9	382,8	349,1	301,0	277,7	369,1
2781	208,6	71,8	1,9	383,2	349,9	301,3	278,3	369,1
2782	208,7	71,7	1,9	383,6	350,8	301,6	278,4	369,2
2783	209,2	71,5	1,9	383,8	351,7	301,9	278,4	369,3
2784	209,2	71,3	1,9	384,2	352,5	302,2	278,3	369,3
2785	209,3	71,5	1,8	384,5	353,4	302,4	278,7	369,4
2786	209,6	71,5	1,8	384,8	354,2	302,7	279,1	369,4
2787	210,0	71,4	1,8	385,2	355,1	303,0	279,6	369,3

Aging PI-20221

2788	210,1	71,3	1,8	385,5	355,9	303,2	279,4	369,4
2789	210,6	71,5	1,8	385,9	356,8	303,5	280,1	369,4
2790	210,9	71,2	1,8	386,2	357,7	303,7	280,3	369,3
2791	211,4	71,1	1,8	386,5	358,6	304,0	280,5	369,2
2792	211,6	71,5	1,7	386,8	359,4	304,2	280,9	369,3
2793	211,8	71,4	1,7	387,2	360,3	304,4	280,8	369,2
2794	212,0	71,1	1,7	387,4	361,2	304,7	281,5	369,3
2795	212,1	71,2	1,7	387,7	362,1	304,8	281,3	369,3
2796	212,6	71,1	1,6	388,0	362,9	305,0	282,0	369,4
2797	212,7	71,2	1,6	388,3	363,7	305,2	282,1	369,5
2798	212,7	71,2	1,6	388,5	364,5	305,4	282,5	369,6
2799	213,3	71,4	1,6	388,9	365,3	305,6	283,1	369,6
2800	213,7	71,2	1,6	389,1	366,1	305,8	283,2	369,7
2801	214,1	71,0	1,6	389,3	366,8	306,0	283,5	369,8
2802	214,3	71,2	1,5	389,4	367,6	306,1	283,9	370,0
2803	214,5	71,3	1,6	389,6	368,3	306,3	284,1	370,1
2804	214,5	71,3	1,5	390,0	369,0	306,5	284,9	370,2
2805	215,1	71,2	1,5	390,2	369,7	306,7	285,0	370,4
2806	215,2	71,2	1,5	390,4	370,5	306,8	285,8	370,6
2807	215,8	70,9	1,5	390,7	371,1	307,0	286,2	371,0
2808	216,2	71,2	1,5	390,9	371,8	307,2	286,4	371,1
2809	216,6	71,2	1,4	391,1	372,4	307,3	286,9	371,4
2810	216,4	71,3	1,4	391,3	373,0	307,5	287,1	371,7
2811	216,0	71,0	1,4	391,5	373,6	307,6	287,3	372,0
2812	216,8	70,9	1,4	391,6	374,2	307,8	287,7	372,3
2813	216,7	71,2	1,4	391,8	374,7	307,9	287,6	372,5
2814	216,7	71,0	1,4	392,0	375,2	308,1	288,5	372,7
2815	216,9	70,9	1,3	392,2	375,7	308,2	288,9	373,0
2816	216,9	71,3	1,3	392,5	376,2	308,4	289,0	373,3
2817	217,0	71,6	1,3	392,7	376,6	308,5	289,1	373,6
2818	217,2	71,2	1,3	392,9	377,2	308,6	289,3	373,8
2819	216,8	71,4	1,3	393,1	377,5	308,7	289,4	374,1
2820	217,6	71,1	1,2	393,3	378,0	308,8	289,6	374,4
2821	217,7	71,1	1,3	393,5	378,4	309,0	290,0	374,6
2822	217,7	71,2	1,2	393,6	378,9	309,1	290,2	374,9
2823	217,8	71,1	1,2	393,7	379,3	309,2	290,2	375,2
2824	217,6	71,6	1,2	394,0	379,7	309,3	290,6	375,5
2825	217,4	71,2	1,2	394,2	380,1	309,4	290,7	375,7
2826	218,1	70,9	1,1	394,3	380,6	309,5	291,2	376,0
2827	218,2	71,1	1,1	394,4	381,0	309,6	291,0	376,3
2828	218,0	70,9	1,1	394,5	381,3	309,8	291,4	376,5
2829	218,4	71,1	1,1	394,6	381,8	309,9	291,9	376,8
2830	218,9	70,8	1,1	394,7	382,2	310,0	291,8	377,1
2831	219,0	71,1	1,1	394,9	382,5	310,1	291,9	377,4
2832	219,0	71,0	1,0	394,9	382,8	310,1	292,0	377,7
2833	219,3	71,1	1,0	395,0	383,2	310,2	292,6	378,0
2834	219,8	70,8	1,1	395,1	383,6	310,3	292,7	378,3
2835	219,6	70,9	1,0	395,2	383,9	310,3	293,2	378,7
2836	219,9	71,0	1,0	395,3	384,2	310,4	293,6	379,1
2837	220,2	71,0	1,0	395,4	384,6	310,6	293,6	379,5
2838	220,5	70,8	1,0	395,5	384,8	310,6	293,9	380,1
2839	220,3	70,7	0,9	395,6	385,1	310,7	294,2	380,6
2840	220,7	70,7	0,9	395,7	385,4	310,8	294,4	381,2
2841	220,9	70,5	0,9	395,7	385,6	310,9	294,7	381,7
2842	220,7	71,0	0,9	395,8	385,8	310,9	294,7	382,1
2843	220,7	70,9	0,9	395,8	386,0	311,0	295,2	382,6
2844	221,0	71,3	0,9	395,8	386,2	311,0	295,1	383,0
2845	221,2	71,0	0,8	395,9	386,4	311,1	295,2	383,3
2846	221,1	71,0	0,8	395,9	386,6	311,1	295,1	383,6
2847	221,1	70,7	0,8	395,9	386,8	311,2	295,4	383,9
2848	221,1	70,7	0,8	396,0	387,0	311,2	295,3	384,2
2849	221,1	71,0	0,8	396,0	387,1	311,2	295,4	384,5
2850	221,1	70,9	0,8	396,0	387,3	311,2	295,4	384,7
2851	221,5	70,9	0,7	396,0	387,5	311,3	295,2	384,9
2852	221,7	70,7	0,7	396,1	387,7	311,3	295,4	385,0
2853	221,5	70,7	0,7	396,1	387,8	311,4	295,1	385,1
2854	221,9	70,8	0,7	396,2	387,9	311,4	295,6	385,3
2855	221,5	70,9	0,7	396,2	388,1	311,4	295,6	385,5
2856	221,7	71,0	0,7	396,2	388,3	311,4	295,1	385,6
2857	221,4	70,6	0,6	396,3	388,4	311,5	295,3	385,7
2858	221,3	70,7	0,6	396,2	388,6	311,5	295,9	385,9
2859	221,7	70,8	0,6	396,3	388,8	311,5	295,7	386,0
2860	221,5	70,9	0,6	396,4	388,8	311,6	295,6	386,1
2861	221,9	71,0	0,6	396,4	389,0	311,5	295,4	386,1
2862	221,4	70,7	0,6	396,4	389,1	311,6	295,8	386,2
2863	221,4	70,5	0,6	396,5	389,0	311,7	295,7	386,3
2864	221,8	70,9	0,5	396,4	389,0	311,6	295,5	386,3
2865	221,4	70,7	0,5	396,3	389,0	311,7	295,8	386,4
2866	221,4	70,9	0,5	396,3	388,9	311,7	295,5	386,4
2867	220,8	70,9	0,5	396,2	388,9	311,7	294,9	386,3
2868	220,5	70,5	0,5	396,1	388,8	311,7	294,6	386,1
2869	220,4	70,6	0,5	396,0	388,6	311,8	294,4	385,8
2870	220,5	70,6	0,5	396,1	388,3	311,9	294,4	385,5
2871	219,9	70,7	0,4	396,2	388,0	311,9	293,6	385,1
2872	219,5	70,9	0,5	396,3	387,7	311,8	293,9	384,8
2873	219,8	70,7	0,4	396,4	387,2	311,8	293,7	384,5
2874	219,6	70,5	0,4	396,5	386,8	311,8	293,0	384,1
2875	219,7	70,5	0,4	396,6	386,2	311,9	293,1	383,8
2876	219,7	70,0	0,4	396,7	385,6	311,9	293,1	383,4
2877	219,6	70,4	0,4	396,9	385,0	311,9	292,9	383,1
2878	219,6	70,5	0,3	397,0	384,4	311,9	292,7	382,8
2879	219,5	70,5	0,3	397,1	383,8	311,8	292,7	382,5
2880	219,4	70,2	0,3	397,2	383,1	311,8	292,5	382,2

Aging PI-20221

2881	219,9	70,2	0,3	397,3	382,6	311,7	292,9	381,9
2882	219,7	70,4	0,3	397,4	381,9	311,6	292,4	381,7
2883	219,3	70,2	0,3	397,5	381,3	311,6	292,2	381,4
2884	219,5	70,2	0,3	397,6	380,8	311,5	292,4	381,2
2885	219,3	70,2	0,2	397,6	380,3	311,5	292,3	380,9
2886	219,5	70,4	0,2	397,7	379,6	311,4	292,8	380,7
2887	219,0	70,1	0,2	397,8	379,3	311,3	292,8	380,5
2888	218,7	70,3	0,2	397,8	378,7	311,3	292,7	380,2
2889	218,9	70,2	0,2	398,0	378,2	311,2	292,4	380,0
2890	218,4	70,5	0,2	398,0	377,9	311,1	293,0	379,7
2891	218,9	70,2	0,2	398,2	377,5	311,0	292,4	379,5
2892	218,7	70,3	0,1	398,3	377,2	310,8	292,4	379,4
2893	218,8	70,0	0,1	398,3	376,7	310,7	291,9	379,3
2894	219,0	69,8	0,1	398,4	376,3	310,6	291,3	379,2
2895	218,7	70,2	0,1	398,4	375,9	310,4	291,0	379,2
2896	218,9	70,2	0,1	398,5	375,4	310,2	291,1	379,1
2897	218,7	70,4	0,1	398,5	374,8	310,1	290,5	379,0
2898	84,6	74,3	11,4	80,7	81,9	86,5	79,1	82,2
2899	140,2	74,6	11,3	81,0	81,8	86,5	88,0	82,2
2900	268,5	75,2	11,1	83,9	81,9	86,3	114,2	83,1
2901	420,9	74,9	10,8	91,5	82,1	86,3	170,3	86,0
2902	534,5	75,2	10,6	104,4	82,9	86,1	267,2	91,6
2903	603,1	75,5	10,2	119,3	84,3	86,0	376,9	100,6
2904	633,4	75,3	9,9	133,0	87,2	85,8	474,2	112,3
2905	667,5	75,9	9,5	147,0	92,0	85,6	550,8	125,9
2906	713,5	76,3	9,2	163,3	98,7	85,5	618,5	140,7
2907	740,5	77,3	8,8	180,5	106,1	85,3	683,2	156,2
2908	746,5	77,5	8,4	197,3	114,0	85,1	734,7	170,8
2909	727,0	78,2	8,0	213,6	122,1	85,0	773,4	183,9
2910	726,8	78,2	7,7	229,9	130,9	84,9	805,4	196,4
2911	729,9	78,4	7,3	246,6	140,5	84,9	830,0	209,1
2912	732,5	78,9	6,9	263,8	149,6	84,9	849,4	222,3
2913	718,8	79,2	6,6	280,8	156,4	85,0	857,3	235,8
2914	713,7	79,2	6,3	297,7	163,7	85,3	858,5	249,2
2915	721,7	79,4	6,0	314,4	172,0	85,7	860,1	262,6
2916	716,0	79,4	5,7	330,9	180,4	86,2	859,3	276,1
2917	712,9	79,6	5,5	347,2	188,9	86,8	854,1	289,4
2918	715,1	80,4	5,2	363,0	197,4	87,6	848,6	302,9
2919	704,7	80,5	4,9	379,0	206,0	88,6	845,1	316,6
2920	695,1	80,1	4,7	394,9	214,7	89,6	839,8	330,7
2921	668,0	80,5	4,4	410,5	223,3	90,8	827,5	345,1
2922	651,0	80,0	4,2	424,1	231,8	92,1	812,8	359,5
2923	639,1	79,6	4,1	436,2	240,2	93,5	796,9	373,5
2924	624,6	79,4	3,9	447,0	248,4	95,1	778,9	386,9
2925	605,4	79,1	3,7	456,9	256,4	96,7	758,3	399,3
2926	591,9	79,4	3,6	465,7	264,2	98,5	737,5	410,9
2927	594,8	80,7	3,5	474,2	271,7	100,3	720,9	421,6
2928	598,0	80,5	29,3	483,5	281,8	102,5	708,6	431,4
2929	627,7	79,7	29,0	484,6	288,7	104,4	709,2	438,7
2930	653,7	79,3	28,7	481,3	293,7	106,5	726,6	442,4
2931	663,0	79,5	28,4	477,1	296,7	108,6	745,9	443,7
2932	685,5	79,2	28,1	472,9	298,2	110,7	773,6	443,7
2933	698,9	79,4	27,8	469,2	298,6	112,8	803,9	443,1
2934	701,9	79,8	27,5	466,4	298,1	114,7	826,4	442,7
2935	703,3	79,5	27,2	464,8	297,0	116,6	842,0	442,5
2936	705,9	80,2	26,9	464,0	295,5	118,4	851,6	442,7
2937	702,2	80,5	26,5	463,6	293,9	119,9	855,8	443,5
2938	700,6	80,5	26,3	463,7	292,1	121,5	857,1	444,3
2939	700,4	80,2	25,9	464,5	290,5	123,0	856,8	445,6
2940	706,7	81,5	25,6	466,5	288,9	124,5	857,2	447,6
2941	723,7	81,0	25,3	469,9	287,6	125,9	861,9	450,0
2942	723,2	81,3	24,9	474,3	286,5	127,4	866,4	453,1
2943	723,1	80,7	24,6	479,3	285,9	128,8	868,3	456,6
2944	720,6	81,3	24,3	484,4	285,9	130,1	869,2	460,4
2945	715,2	80,8	24,0	489,5	286,4	131,5	869,7	464,5
2946	712,7	80,9	23,6	494,5	286,9	132,8	870,4	468,6
2947	714,2	80,5	23,4	499,6	287,9	134,1	869,6	472,9
2948	709,0	80,5	23,0	504,4	289,0	135,4	868,3	477,2
2949	707,5	80,8	22,7	509,2	290,3	136,5	867,2	481,6
2950	705,7	81,5	22,4	514,1	291,7	137,8	862,0	486,0
2951	707,1	80,5	22,1	519,1	293,2	138,9	859,7	490,4
2952	707,8	80,7	21,7	524,4	295,0	140,0	856,0	494,9
2953	704,3	81,2	21,4	529,6	296,7	141,2	854,4	499,4
2954	701,9	81,1	21,1	534,8	298,6	142,3	852,0	504,0
2955	699,8	80,9	20,8	539,9	300,5	143,3	849,2	508,4
2956	699,0	81,8	20,5	544,9	302,5	144,4	847,4	512,9
2957	698,0	81,2	20,3	549,6	304,3	145,4	844,3	517,3
2958	701,1	81,9	19,9	554,2	306,5	146,5	842,4	521,7
2959	702,2	81,9	19,7	558,7	308,5	147,6	840,7	526,0
2960	702,3	81,9	19,3	563,1	310,6	148,6	838,7	530,3
2961	704,9	81,0	19,0	567,5	312,7	149,7	838,6	534,7
2962	705,5	81,9	18,8	571,7	314,7	150,8	838,2	539,0
2963	705,6	81,3	18,4	575,8	316,8	151,9	837,0	543,4
2964	704,8	82,0	18,2	579,9	318,9	153,0	837,0	547,6
2965	700,9	82,3	17,8	584,0	320,9	154,1	834,7	551,9
2966	704,5	81,6	17,6	588,0	323,1	155,2	832,5	556,0
2967	707,2	81,3	17,3	592,1	325,2	156,3	833,2	560,1
2968	712,0	81,1	17,0	596,0	327,5	157,3	836,2	563,9
2969	715,1	81,7	16,7	599,9	329,6	158,4	840,2	567,7
2970	715,2	83,1	16,4	603,6	331,8	159,4	844,4	571,2
2971	719,5	81,9	16,1	607,3	333,8	160,4	850,5	574,7
2972	722,2	82,3	15,8	610,9	335,9	161,5	856,8	578,2
2973	728,7	81,4	15,4	614,4	338,1	162,6	864,1	581,6

20-20-21-22-23

21-20-20-21-22-23

2974	729,7	82,5	15,2	618,0	340,3	163,6	870,7	584,9
2975	731,4	82,2	14,9	621,4	342,6	164,7	877,0	588,0
2976	732,4	82,3	14,6	624,7	345,0	165,7	881,8	591,3
2977	734,8	82,8	14,4	627,9	347,5	166,7	883,6	594,5
2978	734,1	82,3	14,1	631,2	350,1	168,0	884,3	597,6
2979	733,4	82,8	13,8	634,7	352,8	169,1	885,8	600,8
2980	736,6	83,0	13,6	638,0	355,4	170,4	887,1	603,8
2981	733,6	82,8	13,2	641,3	358,2	171,5	888,9	606,9
2982	734,0	82,2	13,0	644,7	361,0	172,7	891,3	609,8
2983	736,2	84,9	12,7	647,8	363,9	173,9	894,5	612,8
2984	726,4	83,4	12,4	651,0	366,9	175,1	894,4	615,7
2985	713,5	82,6	12,1	654,1	369,9	176,4	887,6	618,5
2986	709,5	82,7	11,9	657,0	373,1	177,5	880,4	620,9
2987	702,5	82,9	11,7	659,6	376,3	178,8	872,0	623,4
2988	700,2	81,4	11,4	662,4	379,6	180,0	864,7	626,0
2989	696,6	82,8	11,2	665,6	382,9	181,3	858,5	628,6
2990	694,9	81,8	11,0	668,9	386,2	182,8	853,0	631,1
2991	688,9	81,6	10,8	672,5	389,8	184,1	845,2	633,6
2992	676,2	82,1	10,6	676,1	393,3	185,6	834,1	635,8
2993	659,3	81,7	10,4	679,3	397,0	187,0	821,7	637,8
2994	644,6	82,0	10,2	682,0	400,9	188,5	807,2	639,8
2995	637,4	82,7	10,0	684,1	404,7	190,0	793,2	641,7
2996	630,2	82,2	9,8	685,7	408,6	191,4	779,0	643,6
2997	623,8	81,8	9,7	686,9	412,4	192,9	767,1	645,4
2998	618,8	82,1	9,5	687,8	416,1	194,2	755,0	647,1
2999	612,1	82,4	9,4	688,8	419,7	195,7	743,9	648,6
3000	608,8	81,5	9,2	689,7	423,1	197,3	733,6	649,8
3001	602,5	81,0	9,0	690,3	426,2	198,7	722,5	650,5
3002	595,3	81,4	8,9	690,7	429,3	200,4	710,1	651,1
3003	587,3	80,6	8,8	690,8	432,2	201,9	699,3	651,6
3004	580,0	81,2	8,6	690,6	435,0	203,4	690,3	651,8
3005	575,1	81,9	8,5	689,9	437,6	205,0	682,1	651,8
3006	570,4	81,3	8,4	689,2	440,0	206,6	674,4	651,7
3007	567,0	81,0	8,2	688,3	442,4	208,2	666,4	651,3
3008	561,9	80,8	8,1	687,4	444,4	210,1	658,6	650,9
3009	560,3	80,7	8,0	686,6	446,5	211,8	653,1	650,5
3010	555,8	80,8	7,9	685,8	448,3	213,4	646,9	649,9
3011	555,3	80,5	7,7	685,2	449,9	215,0	641,1	649,4
3012	552,8	81,1	7,6	684,7	451,4	216,6	636,6	648,9
3013	552,2	80,6	7,5	684,1	453,1	218,0	632,8	648,3
3014	551,3	81,2	7,4	683,4	454,7	219,6	629,1	647,7
3015	550,8	81,0	7,3	682,6	456,4	221,0	625,9	647,3
3016	551,0	81,1	7,1	681,8	458,0	222,5	623,0	646,9
3017	550,4	79,8	7,1	681,1	459,7	223,9	622,1	646,8
3018	551,0	80,5	6,9	680,5	461,3	225,4	621,5	646,6
3019	550,7	80,8	6,8	679,9	463,1	226,8	623,0	646,3
3020	548,8	79,6	6,7	679,7	464,8	228,5	626,8	646,2
3021	543,4	80,3	6,7	679,8	466,3	230,2	626,8	646,2
3022	532,5	79,5	6,6	679,7	468,0	231,7	623,3	646,1
3023	523,7	80,5	6,4	679,0	469,4	233,2	618,4	645,7
3024	519,8	79,9	6,4	677,9	470,9	234,7	611,9	644,9
3025	516,5	80,6	6,2	676,5	472,1	236,1	604,9	643,7
3026	510,2	79,9	6,2	675,1	473,0	237,4	598,5	642,4
3027	502,5	80,1	6,1	673,4	473,8	238,7	591,1	640,7
3028	493,8	79,4	6,0	671,5	474,4	240,0	583,8	638,7
3029	486,2	79,1	6,0	668,9	475,2	241,3	576,4	636,1
3030	482,0	79,3	6,0	665,7	476,2	242,5	567,9	633,0
3031	478,8	78,9	5,9	661,9	476,8	243,6	559,2	629,3
3032	473,2	79,4	5,8	657,9	477,0	244,7	551,2	625,2
3033	469,3	79,3	5,8	653,6	477,1	245,8	543,0	621,0
3034	462,4	79,4	5,8	649,1	476,7	246,9	535,1	616,4
3035	455,2	79,6	5,7	644,4	476,2	247,8	527,1	611,8
3036	449,1	78,5	5,7	639,3	475,6	248,9	519,0	607,0
3037	442,9	79,8	5,6	634,1	474,4	249,9	510,4	602,0
3038	438,2	78,3	5,6	629,1	472,5	250,8	503,4	596,9
3039	434,1	78,5	5,5	624,1	470,6	251,7	496,1	591,7
3040	430,0	78,6	5,6	619,2	468,0	252,5	489,7	586,5
3041	426,4	79,6	5,5	614,6	465,4	253,1	482,7	581,3
3042	421,9	78,7	5,5	609,9	462,7	253,9	476,5	576,2
3043	419,6	78,5	5,5	605,4	459,7	254,5	470,5	571,3
3044	416,4	77,8	5,4	601,0	456,9	255,1	464,3	566,5
3045	412,9	77,8	5,4	596,9	454,0	255,6	459,4	561,9
3046	410,5	78,6	5,4	593,0	451,3	256,1	454,2	557,4
3047	408,0	78,9	5,3	589,2	448,4	256,7	448,9	553,0
3048	406,3	78,3	5,3	585,6	445,5	257,1	445,2	548,8
3049	403,9	77,8	5,3	582,0	442,7	257,5	440,8	544,8
3050	401,2	77,8	5,2	578,6	439,8	257,8	437,2	540,8
3051	398,6	77,4	5,2	575,3	437,3	258,1	433,5	537,1
3052	397,4	77,3	5,2	572,0	434,6	258,4	430,4	533,5
3053	395,2	77,1	5,1	569,0	432,3	258,7	427,5	530,0
3054	393,4	77,1	5,1	565,8	429,6	258,9	424,3	526,6
3055	391,5	77,1	5,1	563,0	427,6	259,1	421,9	523,3
3056	390,4	77,7	5,0	560,3	425,1	259,2	419,2	520,2
3057	388,7	78,0	5,0	557,6	422,9	259,5	416,5	517,3
3058	386,9	78,1	5,0	554,9	420,9	259,8	413,8	514,3
3059	383,6	77,9	5,0	552,4	418,9	259,9	412,3	511,6
3060	382,7	77,6	5,0	549,8	416,9	260,0	410,0	508,8
3061	381,0	78,0	4,9	547,3	415,1	260,2	407,6	506,3
3062	379,9	77,8	4,9	545,0	413,1	260,4	404,9	503,7
3063	377,3	78,4	4,9	542,9	411,5	260,5	403,4	501,3
3064	375,8	78,2	4,8	540,8	409,8	260,6	401,2	498,9
3065	374,0	78,7	4,8	538,8	408,2	260,8	398,6	496,6
3066	371,9	77,9	4,8	536,8	406,7	261,0	396,9	494,3

Aging PI-20221

3067	370,1	78,4	4,7	534,8	405,3	261,0	395,1	492,1
3068	368,9	78,4	4,7	532,7	404,0	261,2	393,3	489,9
3069	366,9	78,1	4,7	530,6	402,6	261,4	391,2	487,7
3070	365,2	77,6	4,7	528,9	401,3	261,4	389,2	485,6
3071	363,8	77,3	4,6	526,9	400,2	261,6	387,3	483,6
3072	362,7	77,4	4,6	525,0	399,1	261,6	385,6	481,5
3073	362,3	77,0	4,6	523,3	397,8	261,7	383,6	479,4
3074	360,7	77,4	4,6	521,5	397,0	261,8	381,9	477,5
3075	359,9	77,6	4,5	519,7	395,8	261,9	379,5	475,5
3076	358,3	77,1	4,5	518,0	395,0	262,0	377,7	473,6
3077	357,5	77,8	4,5	516,2	394,0	262,2	375,9	471,7
3078	356,3	78,4	4,5	514,4	393,1	262,2	374,5	469,9
3079	356,0	78,7	4,5	512,7	392,1	262,3	373,0	468,2
3080	354,6	77,6	4,4	511,2	391,2	262,4	372,0	466,5
3081	354,3	78,1	4,4	509,8	390,5	262,4	371,4	464,7
3082	353,6	77,3	4,4	508,3	389,7	262,4	370,5	463,2
3083	352,5	77,6	4,4	506,9	388,9	262,5	369,7	461,6
3084	352,0	77,6	4,3	505,6	388,2	262,6	369,0	460,1
3085	350,9	77,7	4,3	504,5	387,3	262,6	368,0	458,5
3086	349,4	77,2	4,3	503,4	386,8	262,7	367,4	457,2
3087	348,7	78,8	4,3	502,4	386,2	263,0	366,5	455,8
3088	348,3	78,2	4,2	501,4	385,6	263,1	365,9	454,5
3089	346,8	77,4	4,2	500,5	385,2	263,3	365,4	453,3
3090	345,4	78,3	4,2	499,4	384,6	263,3	364,4	452,1
3091	344,7	77,2	4,2	498,4	384,1	263,5	364,0	450,8
3092	344,8	77,7	4,1	497,5	383,7	263,5	363,2	449,6
3093	343,8	77,3	4,1	496,5	383,2	263,5	362,6	448,5
3094	342,9	77,0	4,1	495,6	382,9	263,7	362,2	447,4
3095	342,3	77,5	4,1	494,7	382,7	263,7	361,3	446,3
3096	341,4	77,3	4,0	493,9	382,4	263,8	360,9	445,2
3097	300,1	77,6	30,7	493,3	381,3	264,0	352,1	444,9
3098	364,1	77,4	30,6	489,3	381,7	264,4	352,8	443,3
3099	376,9	77,6	30,4	484,7	381,5	264,7	360,8	440,5
3100	449,2	77,6	30,2	479,5	380,2	265,1	395,6	436,4
3101	518,0	77,5	29,9	473,8	378,2	265,6	452,4	431,9
3102	552,9	78,7	29,7	468,7	375,5	266,0	515,2	427,2
3103	546,5	78,5	29,4	463,9	373,0	266,3	561,8	423,1
3104	560,7	78,3	29,2	459,6	370,2	266,7	603,2	419,5
3105	574,1	78,6	28,9	455,9	367,3	266,9	640,8	416,5
3106	587,6	79,1	28,7	453,0	364,5	267,1	673,7	414,3
3107	603,5	79,2	28,4	450,8	361,7	267,4	703,4	412,9
3108	615,6	79,1	28,1	449,4	358,9	267,4	727,4	412,2
3109	627,5	79,6	27,8	448,6	356,2	267,6	748,5	412,1
3110	638,2	79,4	27,5	448,5	353,5	267,7	767,3	412,6
3111	608,1	80,7	27,2	449,2	350,9	267,7	780,8	413,6
3112	551,4	80,6	27,0	450,5	348,6	267,8	778,2	414,9
3113	519,7	80,0	26,8	452,0	346,4	267,8	767,0	416,3
3114	504,8	79,8	26,6	453,5	344,4	267,7	753,8	417,7
3115	499,7	79,9	26,4	455,0	342,4	267,7	741,0	418,9
3116	498,8	80,7	26,2	456,3	340,6	267,7	731,2	420,2
3117	503,6	80,1	26,0	457,7	338,7	267,6	725,5	421,7
3118	508,2	80,8	25,8	459,0	337,0	267,6	722,3	423,4
3119	509,9	80,1	25,6	460,2	335,7	267,6	722,3	425,1
3120	514,6	80,4	25,3	461,2	334,4	267,5	725,2	426,8
3121	520,5	80,3	25,1	462,2	333,5	267,5	730,6	428,6
3122	524,7	79,7	24,8	463,3	332,9	267,4	737,0	430,5
3123	527,9	80,7	24,6	464,5	332,5	267,4	743,5	432,3
3124	529,0	80,8	24,4	465,8	332,3	267,3	749,6	434,1
3125	532,6	80,9	24,1	467,1	332,3	267,2	752,8	436,0
3126	532,3	80,3	23,9	468,4	332,4	267,0	755,6	438,0
3127	533,6	81,0	23,7	469,9	332,6	266,9	756,9	439,9
3128	535,0	81,7	23,5	471,5	332,9	266,7	758,4	441,9
3129	533,7	81,6	23,2	473,3	333,4	266,5	759,5	443,9
3130	534,8	81,2	23,0	475,3	333,9	266,3	761,1	446,1
3131	533,1	80,2	22,7	477,5	334,5	266,1	762,5	448,4
3132	533,0	82,9	22,5	479,9	335,1	265,8	764,3	450,5
3133	532,2	80,4	22,3	482,5	335,9	265,5	765,1	452,9
3134	533,0	81,7	22,1	485,1	336,6	265,3	766,0	455,2
3135	532,5	80,7	21,8	487,7	337,4	264,9	766,1	457,6
3136	533,0	81,1	21,6	490,3	338,3	264,7	766,8	460,0
3137	533,8	81,4	21,4	493,0	339,2	264,3	767,3	462,4
3138	533,2	80,9	21,2	495,7	340,1	264,0	766,5	464,9
3139	531,1	81,1	20,9	498,4	340,9	263,6	766,1	467,3
3140	529,4	81,1	20,7	501,0	341,9	263,2	763,9	469,6
3141	528,9	81,8	20,4	503,7	342,8	262,8	762,7	472,0
3142	526,7	81,7	20,3	506,2	343,8	262,4	760,0	474,2
3143	524,5	81,3	20,0	508,8	344,8	262,0	756,4	476,5
3144	521,6	80,9	19,8	511,4	345,9	261,5	752,9	478,7
3145	519,2	80,5	19,6	513,8	347,1	261,1	749,6	481,0
3146	517,4	80,8	19,4	516,2	348,3	260,7	745,1	483,2
3147	516,6	80,7	19,2	518,4	349,5	260,3	740,6	485,3
3148	515,5	80,9	19,0	520,7	350,7	259,8	738,1	487,6
3149	512,8	81,3	18,8	522,8	351,5	259,4	734,8	489,7
3150	512,4	80,6	18,6	524,8	352,2	258,9	731,5	491,9
3151	512,8	80,5	18,4	526,6	353,0	258,4	730,1	493,9
3152	512,6	80,2	18,2	528,5	353,7	258,0	727,2	496,0
3153	512,7	80,2	18,0	530,4	354,3	257,5	724,9	498,0
3154	514,5	80,5	18,0	532,1	354,9	257,1	724,5	499,9
3155	516,7	80,7	17,6	533,9	355,6	256,7	725,0	501,8
3156	517,4	80,9	17,5	535,7	356,2	256,2	726,5	503,8
3157	516,9	81,6	17,2	537,4	356,9	255,7	728,0	505,6
3158	517,4	80,8	17,0	539,0	357,6	255,3	730,1	507,5
3159	514,5	81,2	16,8	540,7	358,1	255,0	731,1	509,4

23-22-21-20-23-22

3160	511,3	81,1	16,6	542,3	358,8	254,6	730,6	511,3
3161	509,4	81,0	16,5	543,9	359,5	254,2	730,0	513,2
3162	508,4	80,9	16,2	545,4	360,3	253,9	728,5	515,1
3163	505,3	81,1	16,1	547,0	361,0	253,6	727,4	516,9
3164	504,3	80,9	15,9	548,6	361,8	253,2	726,2	518,6
3165	504,3	81,1	15,8	550,1	362,6	252,9	725,2	520,2
3166	503,6	80,0	15,4	551,8	363,4	252,4	725,0	521,8
3167	504,4	80,4	15,3	553,6	364,2	252,1	727,3	523,4
3168	503,7	81,1	15,2	555,3	365,0	251,8	728,9	525,0
3169	504,5	81,2	15,0	557,1	365,9	251,5	729,4	526,5
3170	505,0	81,4	14,7	558,7	366,7	251,2	731,6	528,0
3171	503,6	81,6	14,5	560,4	367,6	251,0	731,4	529,5
3172	503,5	80,7	14,4	562,1	368,5	250,7	731,9	531,0
3173	500,8	81,3	14,2	564,0	369,4	250,4	729,8	532,6
3174	499,3	80,5	13,9	565,7	370,4	250,2	728,1	534,0
3175	499,2	80,2	13,7	567,3	371,3	250,0	728,0	535,5
3176	498,2	80,5	13,7	568,8	372,2	249,8	725,3	537,1
3177	498,3	80,4	13,5	570,4	373,3	249,6	723,8	538,6
3178	497,1	80,4	13,3	571,9	374,3	249,4	721,3	540,1
3179	496,3	80,1	13,0	573,5	375,4	249,1	719,2	541,5
3180	493,9	80,4	13,0	574,7	376,5	248,9	718,3	543,0
3181	491,7	80,1	12,8	575,9	377,7	248,7	717,5	544,4
3182	488,8	80,2	12,6	576,9	378,8	248,5	714,3	545,6
3183	484,3	80,1	12,5	577,9	379,9	248,3	710,0	546,6
3184	478,6	79,9	12,4	578,8	381,1	248,1	703,8	547,1
3185	472,9	80,4	12,2	579,7	382,3	247,9	696,1	547,5
3186	466,8	82,0	12,1	580,4	383,3	247,7	688,7	547,8
3187	462,6	81,1	12,0	581,1	384,4	247,1	681,8	547,7
3188	459,9	81,3	11,8	581,7	385,5	247,1	673,9	547,5
3189	457,6	80,4	11,7	582,3	386,5	247,0	668,8	547,2
3190	454,2	80,4	11,6	582,6	387,6	247,0	664,0	546,8
3191	452,4	80,4	11,4	582,8	388,5	246,9	658,7	546,3
3192	449,9	80,5	11,3	582,9	389,4	246,8	654,7	545,7
3193	448,6	79,8	11,2	582,9	390,3	246,8	649,8	545,1
3194	446,1	83,5	11,0	582,8	391,0	246,5	645,0	544,6
3195	445,2	80,7	10,9	582,6	391,8	246,4	640,0	544,0
3196	441,6	79,9	10,8	582,3	392,5	246,4	634,7	543,5
3197	436,1	80,1	10,7	582,2	393,3	246,5	627,9	543,3
3198	432,0	80,3	10,6	582,0	393,9	246,5	621,4	542,9
3199	428,5	80,2	10,5	581,8	394,6	246,5	614,6	542,8
3200	425,7	80,4	10,4	581,7	395,4	246,5	609,6	543,0
3201	424,5	80,3	10,3	581,6	396,0	246,6	604,8	543,0
3202	421,3	80,9	10,2	581,7	396,7	246,6	601,3	543,2
3203	420,2	80,8	10,0	581,8	397,4	246,7	598,7	543,4
3204	418,5	80,9	10,0	582,0	398,1	246,7	597,4	543,5
3205	416,4	82,1	9,9	582,1	398,9	246,7	594,8	543,7
3206	415,2	82,8	9,8	582,5	399,7	246,6	593,6	544,0
3207	414,0	83,0	9,6	583,0	400,4	246,7	591,0	543,9
3208	413,1	81,9	9,5	583,3	401,2	246,8	589,3	544,1
3209	412,5	82,6	9,4	584,1	402,0	246,8	588,3	544,3
3210	410,7	82,9	9,3	584,7	402,8	246,8	586,3	544,3
3211	410,3	82,4	9,2	585,5	403,6	246,9	585,1	544,3
3212	409,1	82,3	9,1	586,3	404,5	247,0	583,1	544,3
3213	408,0	81,9	9,0	587,1	405,4	247,1	582,2	544,4
3214	407,5	81,7	8,9	588,1	406,2	247,2	581,3	544,4
3215	406,2	82,7	8,8	589,0	407,1	247,4	579,4	544,5
3216	405,7	83,3	8,8	589,7	408,0	247,5	577,4	544,5
3217	405,4	82,5	8,6	590,7	408,8	247,7	576,2	544,5
3218	403,0	82,4	8,5	591,7	409,7	247,9	574,8	544,7
3219	401,3	82,5	8,4	592,2	410,5	248,0	574,0	544,8
3220	398,3	82,7	8,3	592,4	411,4	248,2	572,9	544,8
3221	395,9	83,2	8,2	592,8	412,2	248,3	570,6	544,6
3222	393,2	82,2	8,2	592,9	413,0	248,5	568,4	544,6
3223	391,2	82,6	8,1	593,0	413,7	248,7	565,1	544,4
3224	389,5	82,5	8,0	592,9	414,6	248,9	562,4	544,2
3225	387,2	82,6	7,9	592,7	415,4	249,3	560,5	543,9
3226	383,7	82,8	7,8	592,2	416,1	249,2	556,8	543,8
3227	379,1	82,9	7,8	592,0	416,8	249,4	552,4	543,4
3228	375,4	82,6	7,7	591,3	417,4	249,5	547,0	543,2
3229	372,7	82,6	7,7	590,5	418,0	249,7	542,6	542,8
3230	369,7	83,0	7,6	589,5	418,5	250,0	536,6	542,3
3231	366,7	81,9	7,5	588,0	418,9	250,2	531,8	541,6
3232	364,4	82,7	7,5	586,7	419,3	250,4	526,5	540,7
3233	362,5	82,7	7,4	585,3	419,8	250,7	522,6	539,9
3234	360,3	82,5	7,3	583,9	420,1	251,0	517,7	538,8
3235	358,0	83,5	7,2	582,4	420,5	251,3	513,6	537,8
3236	355,2	82,3	7,2	580,7	420,7	251,7	509,1	536,9
3237	353,6	82,3	7,1	579,3	420,8	252,0	505,0	535,7
3238	351,6	83,0	7,2	577,5	421,0	252,4	501,0	534,6
3239	348,9	82,6	7,1	576,2	421,2	252,6	496,7	533,3
3240	346,9	82,5	7,0	574,7	421,5	252,9	492,8	532,1
3241	345,1	81,8	7,0	573,1	421,6	253,3	489,2	530,9
3242	342,4	82,4	6,9	571,4	421,8	253,5	486,1	529,7
3243	340,5	82,5	6,9	569,7	421,8	253,9	481,8	528,5
3244	338,5	82,6	6,8	568,3	421,8	254,2	477,9	527,2
3245	336,6	82,7	6,7	566,7	422,0	254,5	475,1	525,8
3246	334,2	82,3	6,7	565,0	422,0	254,8	472,1	524,4
3247	332,2	81,7	6,7	563,1	422,2	255,1	468,6	523,1
3248	330,1	82,0	6,6	561,1	422,2	255,4	465,7	521,7
3249	328,1	82,8	6,6	559,3	422,2	255,6	462,5	520,4
3250	327,1	82,2	6,5	557,2	422,1	255,9	460,0	519,1
3251	324,7	82,4	6,5	555,4	422,2	256,1	456,5	517,8
3252	323,2	82,1	6,4	553,6	422,1	256,4	453,6	516,5

Aging PI-20221

3253	322.6	82,1	6,4	551,9	422,1	256,7	450,9	515,2
3254	320.9	82,1	6,3	550,4	422,0	257,0	448,3	513,7
3255	320.5	81,7	6,3	548,7	422,0	257,3	445,8	512,2
3256	319.4	82,4	6,2	547,2	421,9	257,6	443,7	510,9
3257	318,5	81,4	6,2	545,7	421,8	257,9	441,0	509,7
3258	318,1	82,4	6,1	544,5	421,7	258,2	438,8	508,5
3259	317,5	82,1	6,1	543,3	421,6	258,4	437,1	507,3
3260	317,5	82,2	6,0	542,1	421,5	258,6	436,2	506,3
3261	319,5	82,8	6,0	541,8	421,5	259,0	435,4	505,2
3262	320,2	82,0	5,9	541,0	421,5	259,2	435,2	504,3
3263	319,6	82,1	5,9	540,7	421,4	259,4	435,7	503,6
3264	316,9	81,5	5,9	540,7	421,5	259,7	435,1	502,9
3265	312,4	81,8	5,8	540,0	421,5	259,9	433,6	502,4
3266	310,1	81,3	5,8	538,3	421,5	260,2	431,4	501,3
3267	307,0	82,0	5,8	536,1	421,5	260,6	428,4	500,0
3268	304,7	82,1	5,7	533,7	421,4	260,8	426,1	498,5
3269	302,7	81,9	5,7	531,2	421,3	261,1	423,5	496,8
3270	301,5	81,7	5,6	528,7	421,1	261,4	421,3	495,1
3271	300,9	81,6	5,6	526,3	420,6	261,7	418,3	493,3
3272	298,9	82,1	5,6	524,1	420,2	261,8	416,1	491,9
3273	298,0	82,0	5,6	522,2	419,7	262,2	413,2	490,3
3274	297,0	82,1	5,5	520,5	419,2	262,4	411,0	488,9
3275	297,2	81,4	5,5	518,8	418,8	262,7	409,1	487,7
3276	295,8	81,2	5,4	517,8	418,3	262,9	406,9	486,7
3277	294,1	81,2	5,4	516,8	417,9	263,1	405,2	485,8
3278	293,1	81,0	5,3	515,5	417,5	263,3	403,8	484,9
3279	292,8	82,0	5,3	513,8	417,1	263,5	402,3	484,1
3280	292,1	81,0	5,3	511,8	416,6	263,8	400,9	483,0
3281	290,8	81,4	5,3	509,8	415,6	264,0	399,4	481,9
3282	289,6	81,3	5,3	508,0	414,5	264,2	397,8	480,5
3283	288,0	81,3	5,2	506,0	413,2	264,4	396,3	479,4
3284	287,3	81,5	5,2	504,1	411,8	264,6	394,5	478,2
3285	286,4	81,0	5,2	502,2	410,4	264,8	393,0	476,8
3286	285,7	81,4	5,2	500,4	408,9	265,0	391,5	475,5
3287	283,9	81,5	5,2	498,4	407,3	265,2	389,7	474,3
3288	282,8	81,2	5,2	496,6	405,7	265,3	387,9	472,9
3289	281,5	81,0	5,1	495,0	404,0	265,5	386,0	471,6
3290	280,4	81,7	5,1	493,1	402,4	265,7	384,2	470,3
3291	279,4	81,5	5,1	491,5	400,8	265,8	382,8	469,0
3292	278,2	81,0	5,1	489,8	399,3	265,9	380,9	467,7
3293	277,7	81,0	5,0	488,2	397,8	266,1	379,2	466,3
3294	276,2	80,8	5,0	486,9	396,4	266,2	377,6	464,9
3295	275,4	80,6	5,0	485,7	394,9	266,3	375,9	463,6
3296	274,8	80,9	5,0	484,2	393,5	266,4	374,7	462,4
3297	273,6	81,0	5,0	482,8	392,2	266,5	373,2	461,0
3298	272,6	80,7	4,9	481,5	390,8	266,6	371,9	459,7
3299	271,8	80,6	4,9	480,2	389,5	266,7	370,3	458,5
3300	271,5	80,8	4,9	479,1	388,3	266,8	368,5	457,1
3301	270,9	81,3	4,9	477,9	387,2	266,8	367,4	456,0
3302	270,0	80,6	4,8	476,9	386,1	266,8	365,8	454,8
3303	269,3	81,1	4,8	475,8	385,0	266,9	364,3	453,6
3304	268,3	80,7	4,8	475,0	384,0	266,9	362,8	452,4
3305	267,5	80,8	4,8	473,9	383,0	266,9	362,0	451,3
3306	266,7	81,1	4,8	473,1	382,1	266,9	360,5	450,2
3307	265,4	80,5	4,8	472,0	381,2	267,0	359,3	449,1
3308	264,9	80,4	4,8	470,9	380,2	267,0	358,0	448,1
3309	265,2	80,4	4,7	470,1	379,4	267,1	357,3	447,0
3310	264,7	80,6	4,7	469,1	378,6	267,1	356,2	446,0
3311	263,3	80,5	4,7	468,1	377,7	267,0	355,1	445,0
3312	263,2	80,5	4,7	467,3	377,0	267,0	353,9	444,0
3313	262,9	80,4	4,7	466,5	376,3	266,9	353,2	442,9
3314	262,4	80,2	4,6	465,7	375,6	266,7	352,8	442,0
3315	261,9	80,5	4,6	465,1	375,0	266,7	352,2	441,1
3316	261,5	80,7	4,6	464,4	374,5	266,7	351,7	440,2
3317	260,9	80,5	4,5	463,7	373,9	266,7	351,0	439,3
3318	260,7	81,0	4,5	462,8	373,3	266,7	350,2	438,5
3319	261,1	80,6	4,5	462,1	372,8	266,6	349,4	437,7
3320	260,6	80,5	4,5	461,4	372,2	266,6	348,5	436,9
3321	260,8	80,3	4,5	460,8	371,7	266,5	348,0	436,1
3322	259,8	80,2	4,5	460,1	371,3	266,5	347,8	435,4
3323	259,3	80,5	4,5	459,6	370,9	266,4	347,2	434,7
3324	259,2	80,4	4,4	459,0	370,4	266,3	346,9	434,0
3325	258,2	80,1	4,4	458,4	370,0	266,2	346,2	433,3
3326	257,7	80,0	4,4	457,7	369,6	266,1	345,6	432,7

APPENDIX 5: Participants

Danick Power ing.
v-p operation
Services Polytests inc.
450.741.3636
www.polytests.com

Maxime Martin
Technicien
Services Polytests inc.
450.741.3636
www.polytests.com

Stéphane Parent
Technicien
Services Polytests inc.
450.741.3636
www.polytests.com

APPENDIX 6: Drawings and specifications

UNITED STATES STOVE COMPANY

MODEL TR007
EPA DOCUMENTATION



APPENDIX 7: Operator's manual

VOGELZANG

MODEL: TR007E

Save These Instructions. This manual will help you to obtain efficient, dependable service from the heater, and enable you to order repair parts correctly. Keep in a safe place for future reference.

SAFETY NOTICE: If this heater is not properly installed, a house fire may result. For your safety, follow the installation instructions. Never use make-shift compromises during the installation of this heater. Contact local building or fire officials about permits, restrictions and installation requirements in your area.

CAUTION! Please read this entire manual before you install or use your new room heater. Failure to follow instructions may result in property damage, bodily injury, or even death. Improper installation could void your warranty!

ALL PICTURES SHOWN ARE FOR ILLUSTRATIVE PURPOSES ONLY. ACTUAL PRODUCT MAY VARY DUE TO PRODUCT ENHANCEMENT.

This manual is subject to change without notice.



Report Number: F20-586

Tested Per EPA Methods ALT-125, ASTM E2515, ASTM E3053 and CSA B415
Certified to UL 1482-2011 (R2015) and ULC-S627-00 (R2016)

Approved for mobile home installation in (USA ONLY)

U.S. Environmental Protection Agency
Certified to comply with 2020 particulate emissions standards.

⚠ CALIFORNIA PROPOSITION 65 WARNING:

This product can expose you to chemicals including carbon monoxide, which is known to the State of California to cause cancer, birth defects and/or other reproductive harm. For more information, go to www.P65warnings.ca.gov

**UNITED STATES
STOVE CO.**
EST. 1869

United States Stove Company
227 Industrial Park Rd.,
South Pittsburg, TN 37380
PH: (800) 750-2723
www.usstove.com

852201G-0705J

The instructions pertaining to the installation of your wood stove comply with UL-1482 (R2015) and ULC-S627 standards. This manual describes the installation and operation of the Vogelzang, TR007E wood heater. This heater meets the 2020 U.S. Environmental Protection Agency's cordwood emission limits for wood heaters sold after May 15, 2020. Under specific test conditions this heater has been shown to deliver heat at rates ranging from 19,778 to 67,992 Btu/hr with 1.3 g/hr and 71% efficiency. Note: The BTU ratings mentioned above are based on the EPA test protocol under specific test conditions. Our advertised BTU's are based on the first hour of operation at high burn rate burning cordwood.

Combustible:	Wood		
Colors:	Metallic Black		
Flue Pipe Diameter:	6" (153 mm)		
Flue Pipe Type: (Standard Single Wall or Double Wall):	Black or Blued Steel 2100°F (650°C)		
Minimum Chimney Height:	12' (3.7 m)		
Maximum Log Length:	18" (458 mm)		
Electrical:	120VAC, 0.55A, 60Hz		
Dimensions			
	DEPTH	WIDTH	HEIGHT
Overall: Depth x Width x Height:	39" (995 mm)	24" (612 mm)	32-1/2" (826 mm)
Combustion Chamber: Width x Depth:	18-5/16" X 22-1/4" (466 mm X 565 mm)		
Door Opening: Width x Height:	14-3/4" 9-7/16" (375 mm X 241 mm)		
Pyroceramic Glass Door: (Viewing) Width x Height:	14-9/16" X 9-5/16" (369 mm X 237 mm)		

CAUTIONS:

- HOT WHILE IN OPERATION. KEEP CHILDREN, CLOTHING AND FURNITURE AWAY. CONTACT MAY CAUSE SKIN BURNS.
- DO NOT USE CHEMICALS OR FLUIDS TO IGNITE THE FIRE.
- DO NOT LEAVE THE STOVE UNATTENDED WHEN THE DOOR IS SLIGHTLY OPENED.
- DO NOT BURN GARBAGE, FLAMMABLE FLUID SUCH AS GASOLINE, NAPHTHA OR MOTOR OIL.
- DO NOT CONNECT TO ANY AIR DISTRIBUTION DUCT OR SYSTEM.
- ALWAYS CLOSE THE DOOR AFTER THE IGNITION.

Note: Register your product on line at www.usstove.com. Save your receipt with your records for any claims.

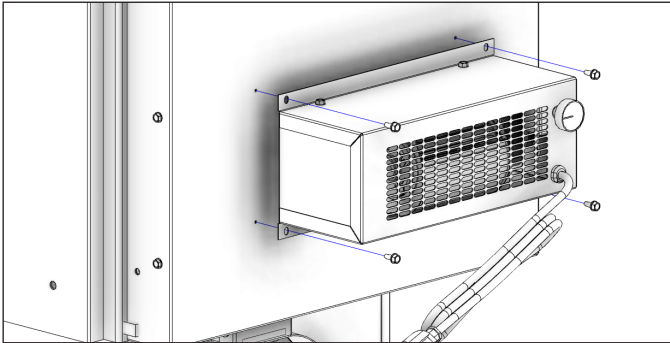
Assembly

UNPACK AND INSPECT

Remove the packing from the appliance and inspect for any damage. Your appliance is packed with the door handle spring not installed. Ensure that the bricks are positioned correctly and not broken (see illustration for proper brick arrangement). Make sure that the baffle board, above the air tubes, is in place and undamaged. (DO NOT REMOVE).

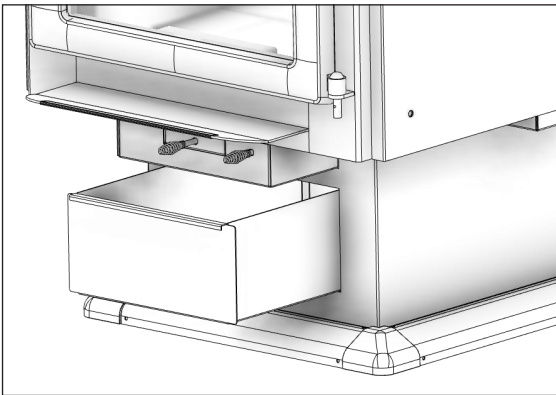
BLOWER ASSEMBLY

The blower assembly must be disconnected from the source of electrical supply before attempting the installation. The blower assembly is intended for use only with a stove that is marked to indicate such use. Do not route the supply cord near or across hot surfaces! Fix the assembly to the back of the stove with the four screws provided.



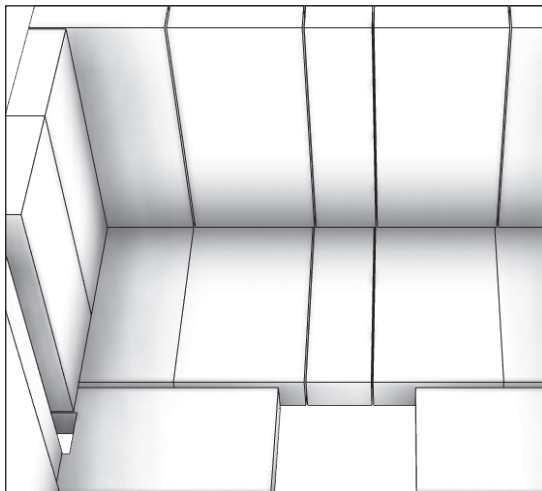
ASH PAN

The ash pan is located below the firebox.



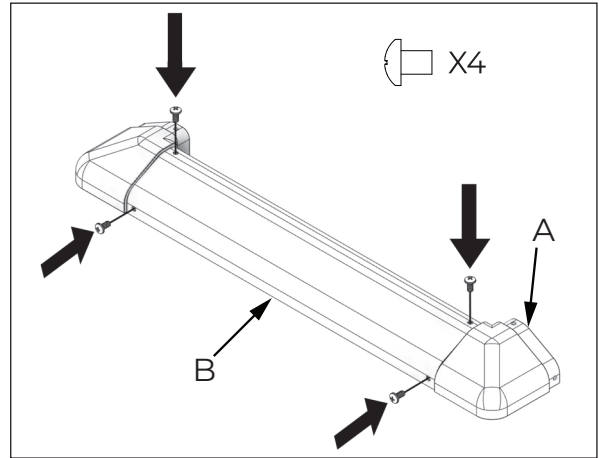
FIREBRICK CONFIGURATION

Replace the Firebrick as shown in the illustration.

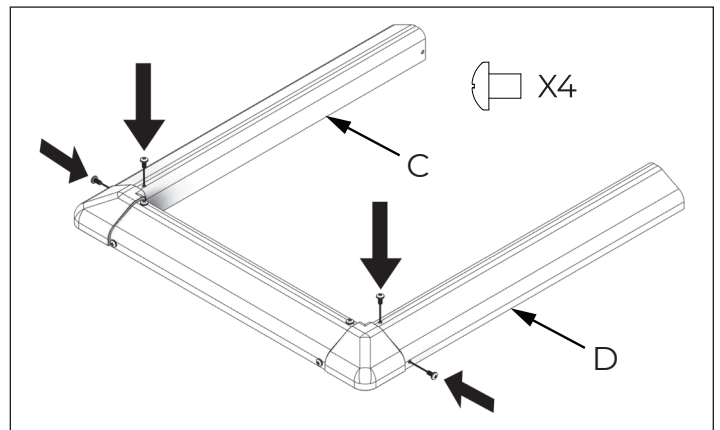


PEDESTAL BASE ASSEMBLY

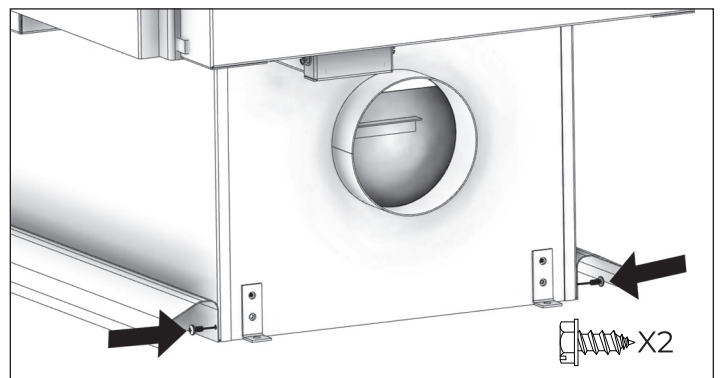
1. Assemble the pedestal base skirting. Attach two corner pieces (A) to the center section (B) of skirting and secure with four (4) truss head screws.



2. Attach the side skirting sections (C & D) to the corner pieces and secure with four (4) truss head screws.



3. Slide the U-shaped skirting assembly around the pedestal base and secure with two 1/4" long pan head sheet metal screws at the rear corners.



Installation

SAFETY NOTICE

- IF THIS STOVE IS NOT PROPERLY INSTALLED, A HOUSE FIRE MAY RESULT. TO REDUCE THE RISK OF FIRE, FOLLOW THE INSTALLATION INSTRUCTIONS.
- CONSULT YOUR MUNICIPAL BUILDING DEPARTMENT OR FIRE OFFICIALS ABOUT PERMITS, RESTRICTIONS AND INSTALLATIONS REQUIREMENTS IN YOUR AREA.
- USE SMOKE DETECTORS IN THE ROOM WHERE YOUR STOVE IS INSTALLED.
- KEEP FURNITURE AND DRAPES WELL AWAY FROM THE STOVE.
- NEVER USE GASOLINE, GASOLINE-TYPE LANTERN FUEL, KEROSENE, CHARCOAL LIGHTER FLUID, OR SIMILAR LIQUIDS TO START OR "FRESHEN UP" A FIRE IN THIS HEATER. KEEP ALL SUCH LIQUIDS WELL AWAY FROM THE HEATER WHILE IT IS IN USE.
- IN THE EVENT OF A CHIMNEY FIRE, PUSH THE AIR CONTROL FULL CLOSED TO DEPRIVE THE FIRE OF OXYGEN. CALL THE FIRE DEPARTMENT.
- DO NOT CONNECT TO ANY AIR DISTRIBUTION DUCT OR SYSTEM.
- A SOURCE OF FRESH AIR INTO THE ROOM OR SPACE HEATED SHALL BE PROVIDED WHEN REQUIRED.

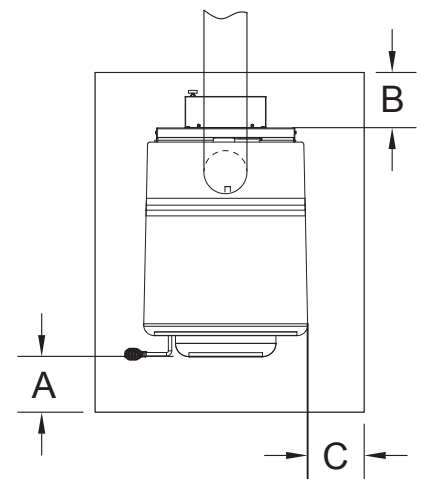
POSITIONING THE STOVE

It is very important to position the wood stove as close as possible to the chimney, and in an area that will favor the most efficient heat distribution possible throughout the house. The stove must therefore be installed in the room where the most time is spent, and in the most spacious room possible. Recall that wood stoves produce radiating heat, the heat we feel when we are close to a wood stove. A wood stove also functions by convection, that is through the displacement of hot air accelerated upwards and its replacement with cooler air. If necessary, the hot air distribution from the stove may be facilitated by the installation of a blower. The wood stove must not be hooked up to a hot air distribution system since an excessive accumulation of heat may occur. A wood stove must never be installed in a hallway or near a staircase, since it may block the way in case of fire or fail to respect required clearances.

FLOOR PROTECTOR

This heater must have a non-combustible floor protector with an R-Value of at least 1.2 installed beneath it if the floor is constructed of combustible material. If a floor pad is used, it should be UL listed or equal. The floor protector should be large enough to extend under the stove and beyond each side as indicated. If there is a horizontal run of flue pipe, there needs to be floor protection under it that extends two inches beyond either side of the pipe.

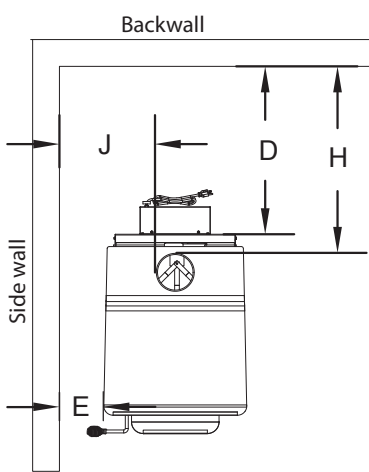
Key	Dimension	Inch	mm
A	Front	18	458
B	Back	8	204
C	Sides	8	204



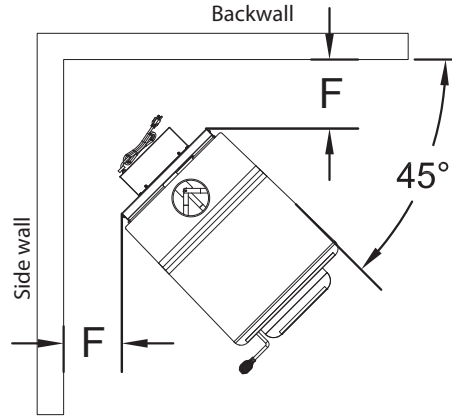
FLOOR PROTECTOR DIMENSIONS

CLEARANCES TO COMBUSTIBLES

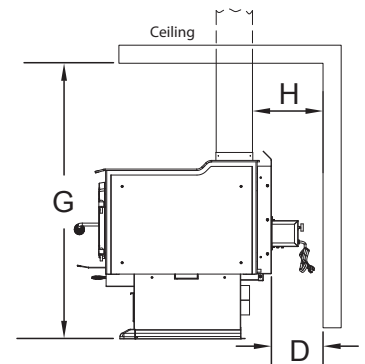
It is of utmost importance that the clearances to combustible materials be strictly adhered to during installation of the stove. Refer to the provided tables:



CLEARANCE TO WALLS



**CORNER INSTALLATION
CLEARANCE TO WALLS**



**CORNER INSTALLATION
CLEARANCE TO
WALLS & CEILING**

- Do not place any combustible material within 4' (1.2 m) of the front of the unit.
- The clearance between the flue pipe and a wall are valid only for vertical walls and for vertical flue pipe.
- The chimney connector must not pass through an attic or roof space, closet or similar concealed space, a floor, or a ceiling.
- For Canadian installations, where passage through a wall, or partition of combustible construction is desired, the installation must conform to CAN/CSA-B365.
- A flue pipe crossing a combustible wall must have a minimum clearance of 18" (457.2 mm).
- To reduce flue clearances from combustible materials, contact your local safety department.

Key	Dimensions	Inch	mm
D	Backwall to Stove	17	432
E	Sidewall to Stove	26	661
F	Wall to corner (Angled Installation)	18	458
G	Ceiling Height	84	2134
H	Backwall to Flue	19	483
J	Sidewall to Flue	35	889

SPECIAL MOBILE HOME REQUIREMENTS (USA ONLY)

WARNING! - Do not install in a sleeping room.

CAUTION! - The structural integrity of the mobile home floor, wall, and ceiling/roof must be maintained.

In addition to the previously detailed installation requirements, mobile home installations must meet the following requirements:

- The space heater is to be connected to a factory-built chimney conforming to CAN/ULC-S629, Standard for 650°C Factory-Built Chimneys.
- The heater must be permanently attached to the floor (see "Securing Appliance's On A Pedestal To The Floor" section of this manual).
- The heater must be electrically grounded to the steel chassis of the mobile home with 8 GA copper wire using a serrated or star washer to penetrate paint or protective coating to ensure grounding.
- When moving your mobile home, all exterior venting must be removed while the mobile home is being relocated. After relocation, all venting must be reinstalled and securely fastened.
- Outside air is mandatory for mobile home installation. See your dealer for purchasing.
- Check with your local building officials as other codes may apply.
- Only use the specified components listed in this manual for this unit. The use of components that are not meant for this unit can cause unsafe conditions.

COMBUSTION AIR ASSEMBLY INSTRUCTIONS (MOBILE HOME INSTALLATIONS - REQUIRED)

This appliance requires a source of combustion air. If your home is of tight construction or has negative pressure problems, you will need an outside source of air. Below is a list of possible indicators that a source of outside combustion air may be required.

- Your stove does not draw steadily, smoke rollout occurs, wood burns poorly, or back-drafts occur whether or not there is combustion present.
- Existing fuel-fired equipment in the house, such as fireplaces or other heating appliances, smell, do not operate properly, suffer smoke roll-out when opened, or back-drafts occur whether or not there is combustion present.
- Opening a window slightly on a calm (windless) day alleviates any of the above symptoms.
- The house is equipped with a well-sealed vapor barrier and tight fitting windows and/or has any powered devices that exhaust house air.
- There is excessive condensation on windows in the winter.
- A ventilation system is installed in the house.

If an outside air intake is required, you may purchase a FAK-07 vent kit from your local stove dealer and install it on the rear of the appliance.

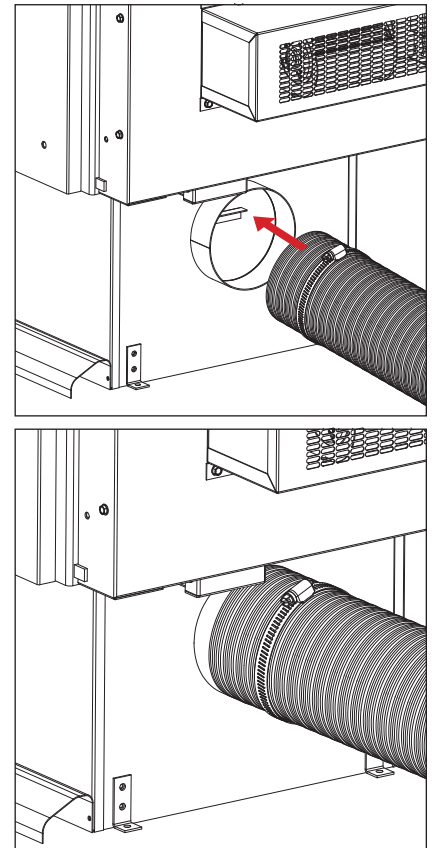
FAK-07 INSTALLATION

Installation must adhere to all local codes. If after reading these instructions you have any doubt about your ability to complete the installation properly, you must obtain the services of a licensed heating and cooling contractor or certified wood stove installer.

- Drill a 5" hole through the wall at the desired point of entry. The point of entry should be at or below the level of the intake air tube on the wood stove. Slide the tail portion of the weather hood through the hole. Secure the weather hood with fasteners at each of the four corners. This task should be done after the stove has been installed and the exhaust piping routed. Try to position the hole for the air intake as near as possible to the stove.
- Slide both hose clamps over the 5" aluminum flex pipe (not included). Then slide the flex pipe over the air intake tube of the stove. Apply the first hose clamp over this end of the aluminum flex hose and tighten.
- Route the flex pipe to the "through wall connection" and slid the flex pipe over the tail piece. Apply the second hose clamp over the tail piece and tighten.

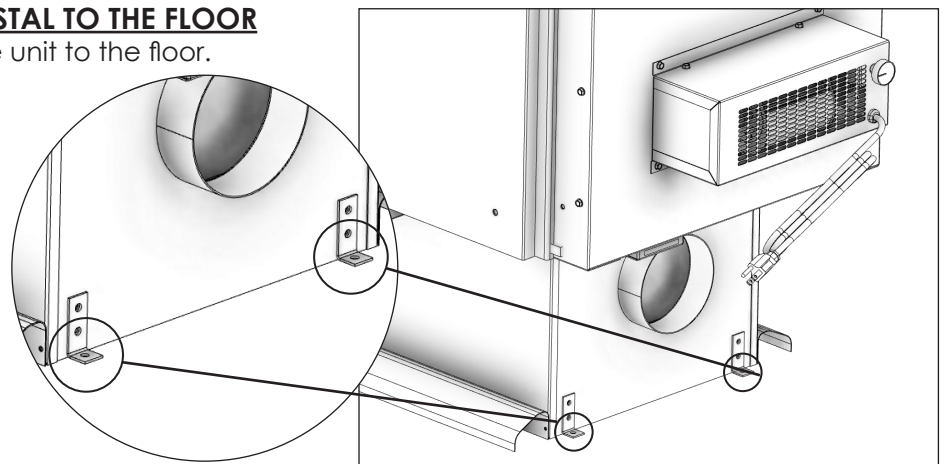
NOTE: Fasteners are not provided with this kit. Please obtain fasteners (size 8 x 1-1/2" pan head) that are made for your home's exterior wall type (i.e. masonry, wood, ect.).

FAK-07 Kit consists of the following parts: Weather Hood with 5" connector pipe attached and hose clamps.



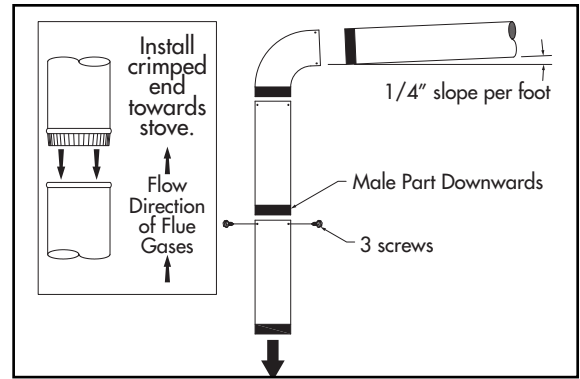
SECURING APPLIANCE'S ON A PEDESTAL TO THE FLOOR

Use the designated holes to secure the unit to the floor.



CHIMNEY CONNECTOR (STOVE PIPE)

The chimney connector and chimney must have the same diameter as the stove outlet (6"). If this is not the case, we recommend you contact your dealer to ensure there will be no problem with the draft. The stovepipe must be made of aluminized or cold roll steel and have a minimum thickness of 0.021" or 0.53mm. It is strictly forbidden to use galvanized steel. The smoke pipe should be assembled to promote the male section (crimped end) of the pipe to be faced down. Attach each section to another with three equidistant metal screws. The pipe must be short and straight. All sections installed horizontally must slope at least 1/4 inch per foot, with the upper end of the section toward the chimney. Any installation with a horizontal run of chimney pipe must conform to NFPA 211. Contact NFPA (National Fire Protection Association) and request the latest edition of the NFPA Standard 211. To ensure a good draft, the total length of the coupling pipe should never exceed 8' to 10' (2.4m to 3.04m). Except for cases of vertical installation, in a cathedral-roof style where the smoke exhaust system can be much longer and connected without problem to the chimney at the ceiling of the room. There should never be more than two 90 degrees elbows in the smoke exhaust system. The installation of a "barometric draft stabilizer" (fireplace register) on a smoke exhaust system is prohibited. Furthermore, the installation of a draft damper is not recommended. With a controlled combustion wood stove, the draft is regulated upon intake of the combustion air in the stove and not at the exhaust.



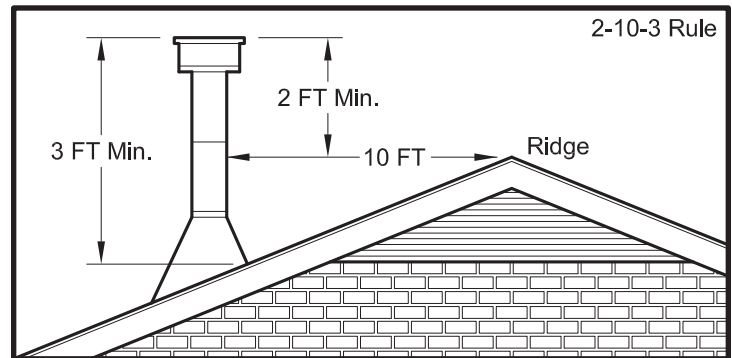
to NFPA 211. Contact NFPA (National Fire Protection Association) and request the latest edition of the NFPA Standard 211. To ensure a good draft, the total length of the coupling pipe should never exceed 8' to 10' (2.4m to 3.04m). Except for cases of vertical installation, in a cathedral-roof style where the smoke exhaust system can be much longer and connected without problem to the chimney at the ceiling of the room. There should never be more than two 90 degrees elbows in the smoke exhaust system. The installation of a "barometric draft stabilizer" (fireplace register) on a smoke exhaust system is prohibited. Furthermore, the installation of a draft damper is not recommended. With a controlled combustion wood stove, the draft is regulated upon intake of the combustion air in the stove and not at the exhaust.

IMPORTANCE OF PROPER DRAFT

Draft is a force that moves air from the appliance up through the chimney. The amount of draft in your chimney depends on the length of the chimney, local geography, nearby obstructions and other factors. Too much draft may cause excessive temperatures in the appliance. An inadequate draft may cause back-puffing into the room and "plugging" of the chimney. An inadequate draft will cause the appliance to leak smoke into the room through appliance and chimney connector joints. An uncontrollable burn or excessive temperature indicates an excessive draft.

CHIMNEY

Your wood stove may be hooked up with a 6" factory-built or masonry chimney. If you are using a factory-built chimney, it must comply with UL 103 or CSA-B365 standard; therefore it must be a Type HT (2100°F). It must be installed according to the manufacturer's specifications. Take into account the chimney's location to ensure it is not too close to neighbors or in a valley which may cause unhealthy or nuisance conditions. If you are using a masonry chimney, it must be built in compliance with the specifications of the National Building Code. It must be lined with fire clay bricks, metal or clay tiles sealed together with fire cement. Round flues are the most efficient. The interior diameter of the chimney flue must be identical to the stove smoke exhaust. A flue which is too small may cause draft problems, while a large flue favors rapid cooling of the gas, and hence the build-up of creosote and the risk of chimney fires. Note that it is the chimney and not the stove which creates the draft effect; your stove's performance is directly dependent on an adequate draft from your chimney. **Do not connect this unit to a chimney flue serving another appliance.**



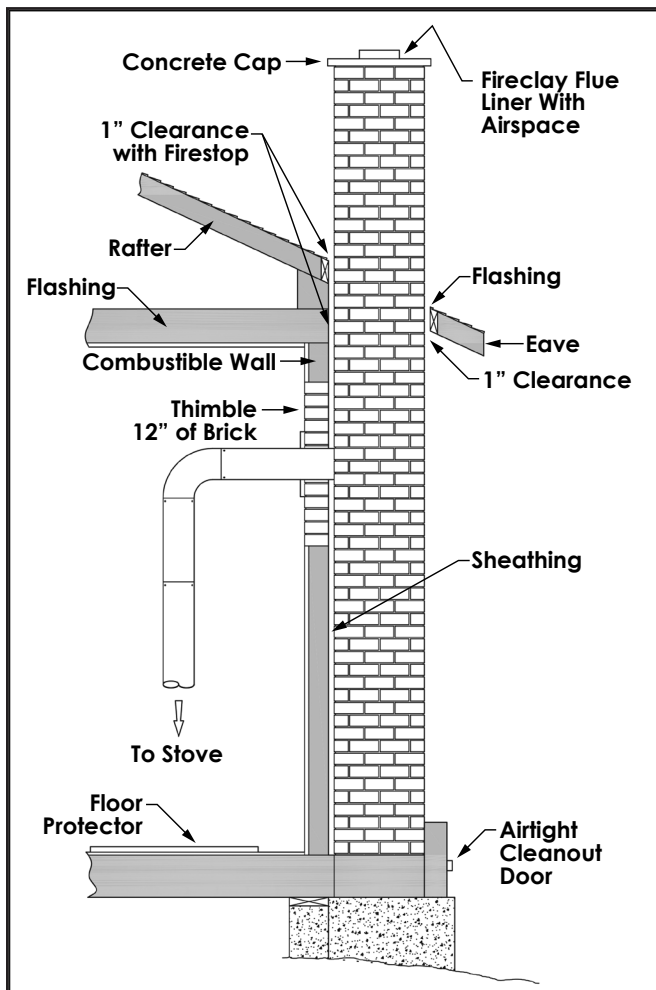
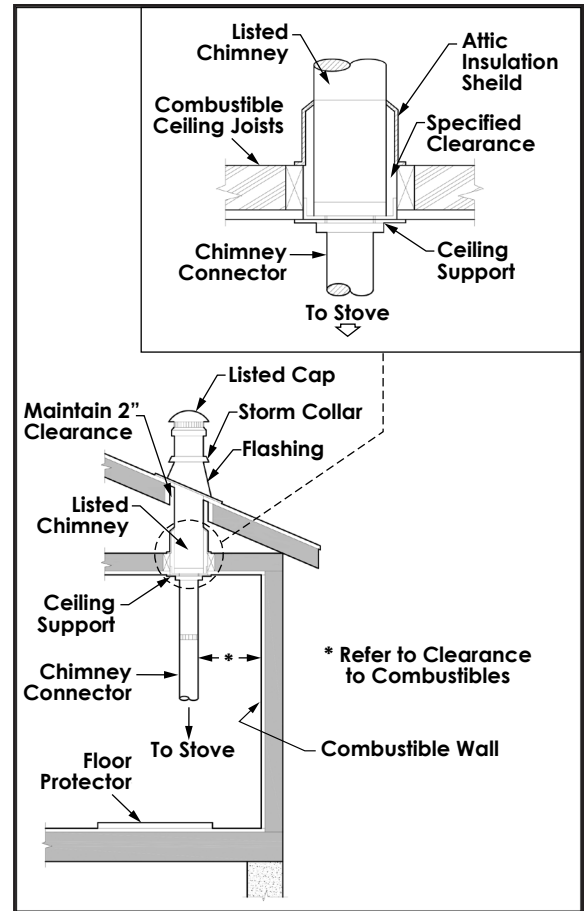
Round flues are the most efficient. The interior diameter of the chimney flue must be identical to the stove smoke exhaust. A flue which is too small may cause draft problems, while a large flue favors rapid cooling of the gas, and hence the build-up of creosote and the risk of chimney fires. Note that it is the chimney and not the stove which creates the draft effect; your stove's performance is directly dependent on an adequate draft from your chimney. **Do not connect this unit to a chimney flue serving another appliance.**

The following recommendations may be useful for the installation of your chimney:

1. It must rise above the roof at least 3' (0.9m) from the uppermost point of contact.
2. The chimney must exceed any part of the building or other obstruction within a 10' (3.04m) distance by a height of 2' (0.6m).
3. The installation of an interior chimney is always preferable to an exterior chimney. Indeed, the interior chimney will, by definition, be hotter than an exterior chimney, being heated up by the ambient air in the house. Therefore the gas which circulates will cool more slowly, thus reducing the build-up of creosote and the risk of chimney fires.
4. The draft caused by the tendency for hot air to rise will be increased with an interior chimney.
5. Using a fire screen at the extremity of the chimney requires regular inspection to ensure that it is not obstructed thus blocking the draft, and it should be cleaned when used regularly.

FACTORY BUILT CHIMNEY

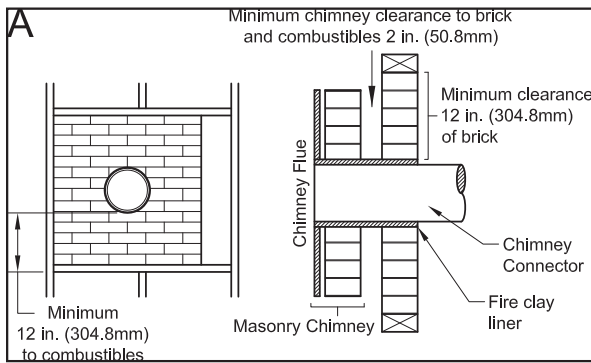
When a metal prefabricated chimney is used, the manufacturer's installation instructions must be followed. You must also purchase (from the same manufacturer) and install the ceiling support package or wall pass-through and "T" section package, firestops (where needed), insulation shield, roof flashing, chimney cap, etc. Maintain proper clearance to the structure as recommended by the manufacturer. The chimney must be the required height above the roof or other obstructions for safety and proper draft operation.



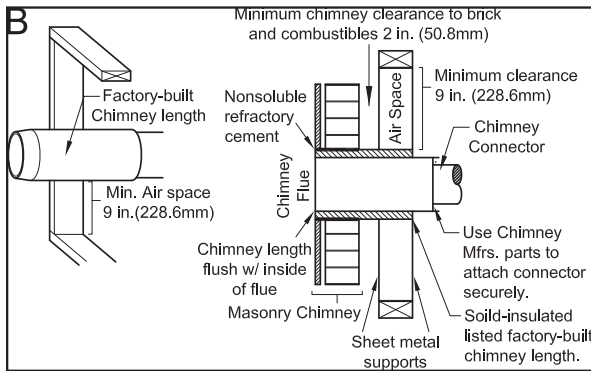
MASONRY CHIMNEY

Ensure that a masonry chimney meets the minimum standards of the National Fire Protection Association (NFPA) by having it inspected by a professional. Make sure there are no cracks, loose mortar or other signs of deterioration and blockage. Be sure to the chimney cleaned before the stove is installed and operated. When connecting the stove through a combustible wall to a masonry chimney, special methods are needed.

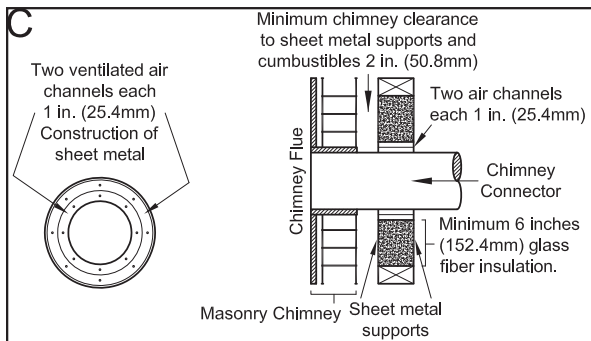
COMBUSTIBLE WALL CHIMNEY CONNECTOR PASS-THROUGHS



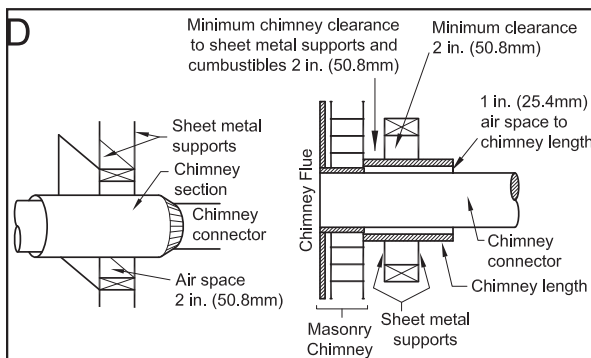
METHOD A - 12" (304.8 mm) Clearance to Combustible Wall Member: Using a minimum thickness 3.5" (89 mm) brick and a 5/8" (15.9 mm) minimum wall thickness clay liner, construct a wall pass-through. The clay liner must conform to ASTM C315 (Standard Specification for Clay Fire Linings) or its equivalent. Keep a minimum of 12" (304.8 mm) of brick masonry between the clay liner and wall combustibles. The clay liner shall run from the brick masonry outer surface to the inner surface of the chimney flue liner but not past the inner surface. Firmly grout or cement the clay liner in place to the chimney flue liner.



METHOD B - 9" (228.6 mm) Clearance to Combustible Wall Member: Using a 6" (152.4 mm) inside diameter, listed, factory-built Solid-Pak chimney section with insulation of 1" (25.4 mm) or more, build a wall pass-through with a minimum 9" (228.6 mm) air space between the outer wall of the chimney length and wall combustibles. Use sheet metal supports fastened securely to wall surfaces on all sides, to maintain the 9" (228.6 mm) air space. When fastening supports to chimney length, do not penetrate the chimney liner (the inside wall of the Solid-Pak chimney). The inner end of the Solid-Pak chimney section shall be flush with the inside of the masonry chimney flue, and sealed with a non-water soluble refractory cement. Use this cement to also seal to the brick masonry penetration.



METHOD C - 6" (152.4 mm) Clearance to Combustible Wall Member: Starting with a minimum 24 gage (.024" [.61 mm]) 6" (152.4 mm) metal chimney connector, and a minimum 24 gage ventilated wall thimble which has two air channels of 1" (25.4 mm) each, construct a wall pass-through. There shall be a minimum 6" (152.4 mm) separation area containing fiberglass insulation, from the outer surface of the wall thimble to wall combustibles. Support the wall thimble, and cover its opening with a 24-gage minimum sheet metal support. Maintain the 6" (152.4 mm) space. There should also be a support sized to fit and hold the metal chimney connector. See that the supports are fastened securely to wall surfaces on all sides. Make sure fasteners used to secure the metal chimney connector do not penetrate chimney flue liner.



METHOD D - 2" (50.8 mm) Clearance to Combustible Wall Member: Start with a solid-pak listed factory built chimney section at least 12" (304 mm) long, with insulation of 1" (25.4 mm) or more, and an inside diameter of 8" (2 inches [51 mm] larger than the 6" [152.4 mm] chimney connector). Use this as a pass-through for a minimum 24-gauge single wall steel chimney connector. Keep solid-pak section concentric with and spaced 1" (25.4 mm) off the chimney connector by way of sheet metal support plates at both ends of chimney section. Cover opening with and support chimney section on both sides with 24 gage minimum sheet metal supports. See that the supports are fastened securely to wall surfaces on all sides. Make sure fasteners used to secure

chimney flue line do not penetrate the inner liner.

NOTES:

1. Connectors to a masonry chimney, excepting method B, shall extend in one continuous section through the wall pass-through system and the chimney wall, to but not past the inner flue liner face.
2. A chimney connector shall not pass through an attic or roof space, closet or similar concealed space, or a floor, or ceiling.

Fuel Recommendations

WOODSTOVE UTILIZATION

Your heating appliance was designed to burn wood only; no other materials should be burned. Waste and other flammable materials should not be burned in your stove. Any type of wood may be used in your stove, but specific varieties have better energy yields than others. Please consult the following table in order to make the best possible choice.

TYPE	WEIGHT (LBS. CU. FT., DRY)	PER CORD	EFFICIENCY RANKING	SPLITS	MILLIONS BTU's/ CORD
Hickory	63	4500	1.0	Well	31.5
White Oak	48	4100	.9	Fair	28.6
Red Oak	46	3900	.8	Fair	27.4
Beech	45	3800	.7	Hard	26.8
Sugar Maple	44	3700	.6	Fair	26.2
Black Oak	43	3700	.6	Fair	25.6
Ash	42	3600	.5	Well	25.0
Yellow Birch	40	3400	.4	Hard	23.8
Red Maple	38	3200	.3	Fair	22.6
Paper Birch	37	3100	.3	Easy	22.1
Elm/Sycamore	34	2900	.2	Very Difficult	20.1
Red Spruce	29	1800	.1	Easy	16.1

It is EXTREMELY IMPORTANT that you use DRY WOOD only in your wood stove. The wood should have dried for 9 to 15 months, such that the humidity content (in weight) is reduced below 20% of the weight of the log. It is very important to keep in mind that even if the wood has been cut for one, two, or even more years, it is not necessarily dry, if it has been stored in poor conditions. Under extreme conditions it may rot instead of drying. This point cannot be over stressed; the vast majority of the problems related to the operation of a wood stove is caused by the fact that the wood used was too damp or had dried in poor conditions. These problems can be:

- ignition problems
- creosote build-up causing chimney fires
- low energy yield
- blackened windows
- incomplete log combustion

Smaller pieces of wood will dry faster. All logs exceeding 6" in diameter should be split. The wood should not be stored directly on the ground. Air should circulate through the cord. A 24" to 48" air space should be left between each row of logs, which should be placed in the sunniest location possible. The upper layer of wood should be protected from the element but not the sides.

TESTING YOUR WOOD

- When the stove is thoroughly warmed, place one piece of split wood (about five inches in diameter) parallel to the door on the bed of red embers.
- Keep the air control full open and close the door. If ignition of the piece is accomplished within 90 seconds from the time it was placed in the stove, your wood is correctly dried. If ignition takes longer, your wood is damp.
- If your wood hisses and water or vapor escapes at the ends of the piece, your wood is soaked or freshly cut (green). Do not use this wood in your stove. Large amounts of creosote could be deposited in your chimney, creating potential conditions for a chimney fire.

Operating Instructions

CAUTIONS: HOUSE FIRE HAZARDS

- Do not store wood on floor protector, underneath stovepipe(s) if applicable, or anywhere within clearances to combustible surfaces specified for this appliance.
- Never operate with secondary tubes, fiber board, or insulation removed.

OPERATING SAFETY PRECAUTIONS

- Never overfire this appliance by building excessively hot fires as a house/building fire may result. You are overfiring the appliance if it begins to glow or turn red.
- Never build excessively large fires in this type of appliance as damage to the firebox or smoke leakage may result.
- Do not build fire too close to glass.
- Hot while in operation. Keep children, clothing, and furniture away. Contact may cause skins burns. Do not touch the appliance until it has cooled.
- Provide adequate air for combustion to the room where the appliance is installed.
- Inspect chimney liner every 60 days. Replace liner immediately if it is rusting or leaking smoke into the room.
- Attempts to achieve heat output rates that exceed heater design specifications can result in permanent damage to the heater.

WARNING: EXPLOSION HAZARD

- Never use chemicals, gasoline, gasoline-type lantern fuel, kerosene, charcoal lighter fluid, or similar flammable liquids to start or "freshen up" a fire in the appliance.
- Keep all flammable liquids, especially gasoline, out of the vicinity of the appliance - whether in use or in storage.

Hardwood, 18" (45cm) should be air dried (seasoned), for a minimum of 6 months. Logs greater than 6" (152mm) in diameter should be split. Wood should be stored in a dry, well ventilated area. The humidity content for usable firewood must be less than 20% of the weight of the log. This heater is designed to burn natural wood only. Higher efficiencies and lower emissions generally result when burning air dried seasoned hardwoods, as compared to softwoods or to green or freshly cut hardwoods.

Attempts to use wet or unseasoned wood will cause:

- ignition problems
- incomplete combustion
- blackened glass
- rapid creosote build-up resulting in chimney fire
- low heat yield

DO NOT BURN:

1. Garbage;
2. Lawn clippings or yard waste;
3. Materials containing rubber, including tires;
4. Materials containing plastic;
5. Waste petroleum products, paints or paint thinners, or asphalt products;
6. Materials containing asbestos;
7. Construction or demolition debris;
8. Railroad ties or pressure-treated wood;
9. Manure or animal remains;
10. Salt water driftwood or other previously salt water saturated materials;
11. Unseasoned wood; or
12. Paper products, cardboard, plywood, or particleboard. The prohibition against burning these materials does not prohibit the use of fire starters made from paper, cardboard, saw dust, wax and similar substances for the purpose of starting a fire in an affected wood heater.

Burning these materials may result in release of toxic fumes or render the heater ineffective and cause smoke. Dead wood lying on the forest floor should be considered wet, and requires full seasoning time. Standing dead wood can usually be considered to be about 2/3 seasoned. Splitting and stacking wood before it is stored accelerates drying time. Storing wood on an elevated surface from the ground and under a cover or covered area from rain or snow also accelerates drying time. A good indicator if wood is ready to burn is to check the piece ends. If there are cracks radiating in all directions from the center then the wood should be dry enough to burn. If your wood sizzles in the fire, even though the surface is dry, it may not be fully cured, and should be seasoned longer.

Do not burn manufactured logs made of wax impregnated sawdust or logs with any chemical additives. Manufactured logs made of 100% compressed sawdust can be burned, but be careful burning too much of these logs at the same time. Start with one manufactured log and see how the stove reacts. You can increase the number of logs burned at a time to making sure the temperature never rises higher than 475°F (246°C) on a magnetic thermometer for installation on single wall stove pipes or 900°F (482°C) on a probe thermometer for installation on double wall stove pipe. The thermometer should be placed about 18" (457 mm) above the stove. Higher temperatures can lead to overheat and damage your stove.



TAMPER WARNING

This wood heater has a manufacturer-set minimum low burn rate that must not be altered. It is against federal regulations to alter this setting or otherwise operate this wood heater in a manner inconsistent with operating instructions in this manual.

EFFICIENCIES

Efficiencies can be based on either the lower heating value (LHV) or the higher heating value (HHV) of the fuel. The lower heating value is when water leaves the combustion process as a vapor, in the case of woodstoves the moisture in the wood being burned leaves the stove as a vapor. The higher heating value is when water leaves the combustion process completely condensed. In the case of woodstoves this would assume the exhaust gases are room temperature when leaving the system, and therefore calculations using this heating value consider the heat going up the chimney as lost energy. Therefore, efficiency calculated using the lower heating value of wood will be higher than efficiency calculated using the higher heating value. The best way to achieve optimum efficiencies is to learn the burn characteristic of your appliance and burn well-seasoned wood. Higher burn rates are not always the best heating burn rates; after a good fire is established a lower burn rate may be a better option for efficient heating. A lower burn rate slows the flow of usable heat out of the home through the chimney, and it also consumes less wood.

NOTICE - INITIAL BURNS TO CURE PAINT

BECAUSE OF THE HIGH OPERATING TEMPERATURES, THIS APPLIANCE IS COATED WITH A SPECIAL HIGH TEMP PAINT WHICH REQUIRES A SERIES OF LOW TO MEDIUM BURNS TO FULLY CURE FOR DURABILITY AND A LIFETIME OF SERVICE. Proper curing of the high-temp paint requires a series of three initial burns. The appliance should be allowed to cool off between each burn. The first two burns should be small fires and low temperatures (250°F) for a duration of 20 minutes each. The third fire should be at a temperature of approximately 500°F for 20 minutes. Provide adequate cross ventilation to clear any smoke or odor caused by initial firings.

Notice: Use solid wood fuel only! Do not burn garbage, or flammable fluids. Do not use coal. This appliance is not designed to accommodate the air flow (draft) required to properly burn coal or coal products. Do not elevate the fire using grates or irons. Build the fire directly on the firebrick.

FUELING INSTRUCTIONS

This wood stove has been certified by the US EPA to meet strict 2020 guidelines. To ensure this unit produces the optimal minimum emissions it is critical that only well-seasoned cordwood is burned (see the "Fuel Recommendations" section of this manual). Burning unseasoned wet wood only hurts your stoves efficiency and leads to accelerated creosote buildup in your chimney. Be considerate of the environment and only burn dry wood.

CAUTION: DO NOT LEAVE APPLIANCE UNATTENDED THE WITH DOOR OPEN.

For a cold start-up, place 4 to 5 pieces of newspaper into the firebox. On top of the newspaper, lay 5 lbs of kindling in random placement to ensure airflow through the kindling. On top of the kindling, place approximately 6.5 lbs of small pieces of cordwood. NOTE: Use smaller pieces of wood during start-up and a high burn rate to increase the stove temperature.

Push both air control slides to the fully open position. Light the newspaper and close the door. Once the kindling has burned down to a starter coal bed, load the unit with approximately 26 to 27 lbs of fuel for the first high burn load.

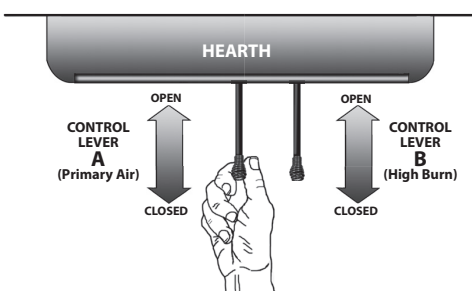
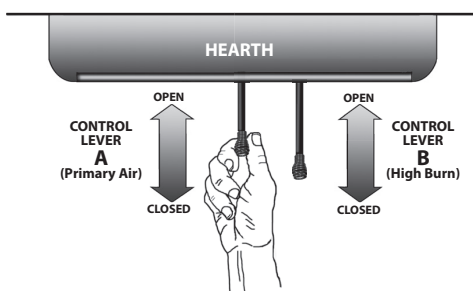
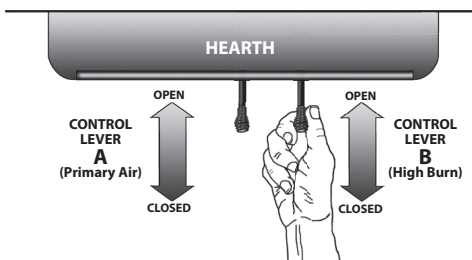
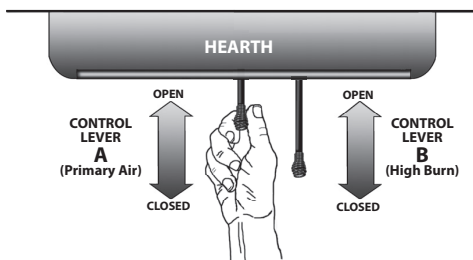
After the first high burn load and the stove is well warmed up, adjust the unit as needed for a medium or low burn setting.

For a medium burn, once the high burn fuel load is burned down to an established



coal bed, load the unit with 31 to 32 lbs of cordwood and keep the door slightly open for 2 minutes. After two minutes close the door. Keep the secondary airslide fully open for 10 minutes then close completely and set the primary airslide halfway closed. At the 15 minute point of loading your fuel, the primary air slide should be set at the medium setting which is about 1/2 inch open from the fully closed position.

For a low burn setting once the high burn (or medium) fuel load is burned down to an established coal bed, load the unit with 31 to 32 lbs of cordwood and leave the door open for two minutes. After two minutes close the door. Keep the secondary airslide fully open for 10 minutes then close completely and set the primary airslide halfway closed. At the 15 minute point of loading your fuel, the primary air slide should be set at the low setting which is pulling the airslide completely out toward you. NOTE: Do not close the air too quickly. Closing the air too quickly will cause the unit to smoke.



WARNINGS:

- NEVER OVERFIRE YOUR STOVE. IF ANY PART OF THE STOVE STARTS TO GLOW RED, OVER FIRING IS HAPPENING. READJUST THE AIR INTAKE CONTROL AT A LOWER SETTING.
- THE INSTALLATION OF A LOG CRADLE OR GRATES IS NOT RECOMMENDED IN YOUR WOOD STOVE. BUILD FIRE DIRECTLY ON FIREBRICK.
- NEVER PUT WOOD ABOVE THE FIREBRICK LINING OF THE FIREBOX.
- ATTEMPTS TO ACHIEVE HEAT OUTPUT RATES THAT EXCEED HEATER DESIGN SPECIFICATIONS CAN RESULT IN PERMANENT DAMAGE TO THE HEATER.

VISIBLE SMOKE

The amount of visible smoke being produced can be an effective method of determining how efficiently the combustion process is taking place in the given settings. Visible smoke consists of unburned fuel and moisture leaving your stove. Learn to adjust the air settings of your specific unit to produce the smallest amount of visible smoke. Wood that has not been seasoned properly and has a high wood moisture content will produce excess visible smoke and burn poorly.

AIR TUBES

The air tubes assembled in this unit are designed to provide an accurate mix of secondary air to ensure the highest efficiency. Any damage or deterioration of these tubes may reduce the efficiency of combustion. The air tubes are held in position by screws or snap pins. Locate these to either side of the tube and remove it to allow the tube to be removed and replaced.

BLOWER OPERATION

The variable speed blower circulates air warmed by the firebox into the living area to distribute the heat more evenly. The blower control knob is located on the side of the blower housing. Turn the knob clockwise to turn the blower on. The speed is controlled by turning the knob clockwise for slower speeds and counter-clockwise for faster speeds. To turn the blower off, turn the speed control knob fully counter-clockwise. It is recommended to turn the blower off when the unit is not in operation. The blower needs to be removed and air-blown clean. Make sure the blades do not have build up.

Chimney Maintenance

CAUTION:

Do not overfire appliance. You are overfiring if any part of the appliance glows red. Close the door and shut damper immediately to reduce the air supply and slow down the fire.

CAUTION:

Slow burning fires for extended use or burning green wood may cause excessive creosote build-up. Ignition of creosote or overfiring could cause a chimney fire. Chimney fires burn extremely hot and may ignite surrounding combustible materials. In case of a chimney fire, call the fire department immediately!

CREOSOTE FORMATION AND NEED FOR REMOVAL

When wood is burned slowly, it produces tar and other organic vapors, which combine with expelled moisture to form creosote. The creosote vapors condense in the relatively cool chimney flue of a slow-burning fire. As a result, creosote residue accumulates on the flue lining. When ignited this creosote makes an extremely high temper fire. The chimney connector and chimney should be inspected at least once every two months during the heating season to determine if a creosote build-up has occurred. If creosote has accumulated (3 mm or more), it should be removed to reduce the risk of a chimney fire.

We strongly recommend that you install a magnetic thermometer on your smoke exhaust pipe, approximately 18" above the stove. This thermometer will indicate the temperature of your gas exhaust fumes within the smoke exhaust system. The ideal temperature for these gases is somewhere between 275°F and 500°F. Below these temperatures, the build-up of creosote is promoted. Above 500°F, heat is wasted since a too large quantity is lost into the atmosphere.

TO PREVENT CREOSOTE BUILD UP

- Always burn dry wood. This allows clean burns and higher chimney temperatures, therefore less creosote deposit.
- Leave the air control fully open for about 5 min. every time you reload the stove to bring it back to proper operating temperatures. The secondary combustion can only take place if the firebox is hot enough.
- Always check for creosote deposit once every two months and have your chimney cleaned at least once a year.
- If a chimney or creosote fire occurs, close all dampers immediately. Wait for the fire to go out and the heater to cool, then inspect the chimney for damage. If no damage results, perform a chimney cleaning to ensure no more creosote deposits is remaining in the chimney.

CAUTION:

A chimney fire may cause ignition of wall studs or rafters which were assumed to be a safe distance away from the chimney. If a chimney fire occurs, have your chimney inspected by a qualified expert before using again.

ASH REMOVAL & DISPOSAL

Whenever ashes get 3 to 4 inches deep in your firebox or ash pan, and when the fire has burned down and cooled, remove excess ashes. Leave an ash bed approximately 1 inch deep on the firebox bottom to help maintain a hot charcoal bed. Ashes should be placed in a metal container with a tight-fitting lid. The closed container of ashes should be placed on a non-combustible floor or the ground, away from all combustible materials, pending final disposal. The ashes should be retained in the closed container until all cinders have thoroughly cooled.

CAUTIONS:

- ASHES COULD CONTAIN HOT EMBERS EVEN AFTER TWO DAYS WITHOUT OPERATING THE STOVE.
- THE ASH PAN CAN BECOME VERY HOT. WEAR GLOVES TO PREVENT INJURY.
- NEVER BURN THE STOVE WITH THE ASH TRAP OPEN. THIS WOULD RESULT IN OVER FIRING THE STOVE. DAMAGE TO THE STOVE AND EVEN HOUSE FIRE MAY RESULT.

SMOKE & CO MONITORS

Burning wood naturally produces smoke and carbon monoxide(CO) emissions. CO is a poisonous gas when exposed to elevated concentrations for extended periods. While the modern combustion systems in heaters drastically reduce the amount of CO emitted out the chimney, exposure to the gases in closed or confined areas can be dangerous. Make sure your stove gaskets and chimney joints are in good working order and sealing properly to ensure unintended exposure. It is recommended that you use both smoke and CO monitors in areas having the potential to generate CO.

GLASS CARE

- Inspect and clean the glass regularly to detect any cracks. If you spot one, turn the stove off immediately. Do not abuse the glass door by striking or slamming shut. Do not use the stove if the glass is broken.
- If the glass on your stove breaks, replace only with the glass supplied from your heater dealer. Never substitute other materials for the glass.
- To replace the glass, remove the screws retaining the glass moldings inside the door. Remove the moldings and replace the damaged piece with a new one. Perform the procedure backward after replacing it. When replacing the glass, you should change the glass gasket to make sure you keep it sealed.
- Never wash the glass with a product that may scratch. Use a specialized product, available in the stores where wood stoves are sold. The glass should be washed only when cold.

Warning: Replace glass only with 5mm high temperature ceramic glass of the proper size. Do not use substitute materials such as tempered glass or double thickness window glass! Contact the stove manufacturer for replacement glass.

GASKET CARE

This unit's door uses a 3/4" diameter rope gasket. It is recommended that you change the door gasket (which makes your stove door air tight) once a year, in order to ensure good control over the combustion, maximum efficiency and security. To change the door gasket, simply remove the damaged one. Carefully clean the available gasket groove, apply a high temperature silicone sold for this purpose, and install the new gasket. You may light up your stove again approximately 24 hours after having completed this operation.

WARNING:

NEVER OPERATE THE STOVE WITHOUT A GASKET OR WITH A BROKEN ONE. DAMAGE TO THE STOVE OR EVEN HOUSE FIRE MAY RESULT.

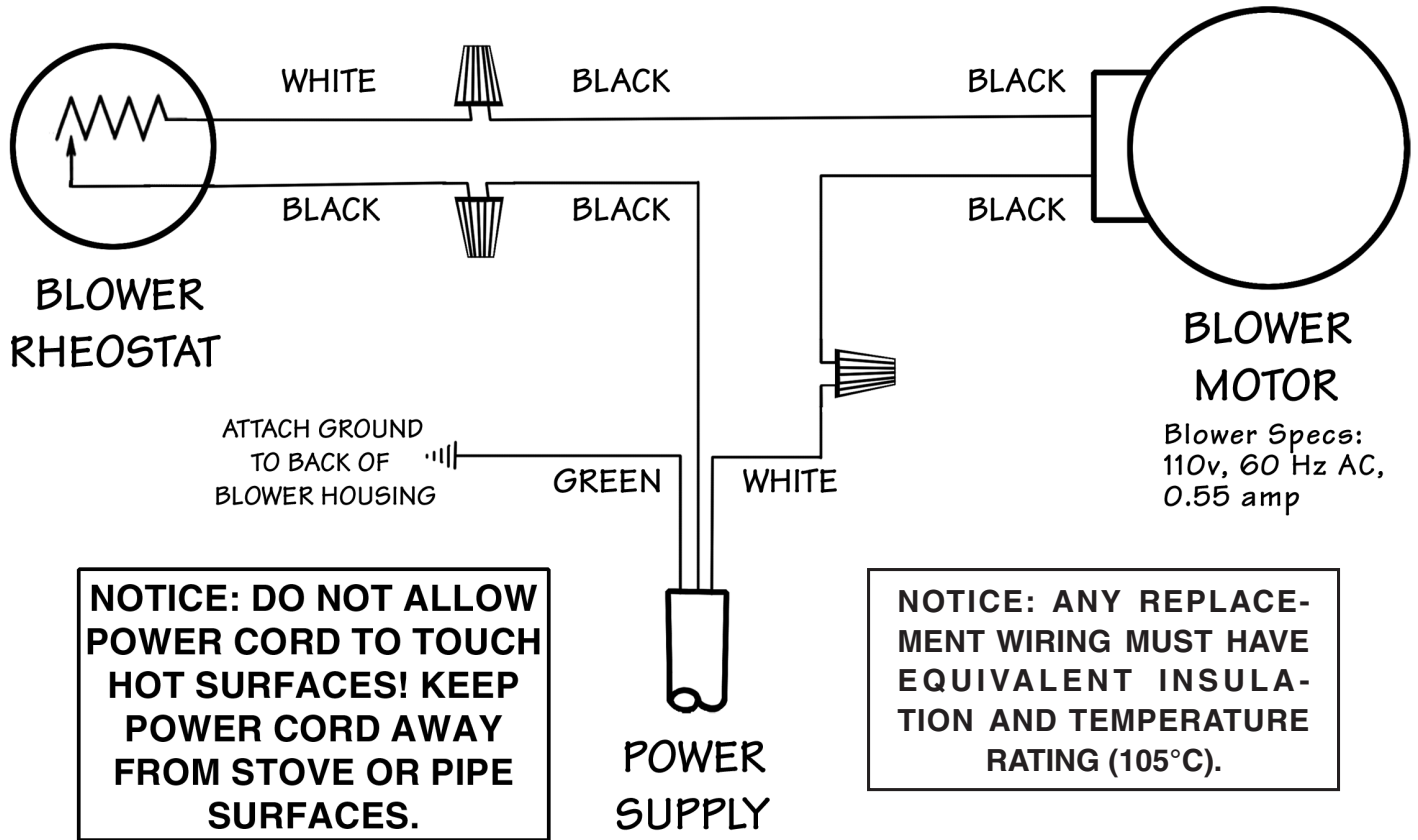
ATTENTION:

This wood heater needs periodic inspection and repair for proper operation. It is against federal regulations to operate this wood heater in a manner inconsistent with operating instructions in this manual.

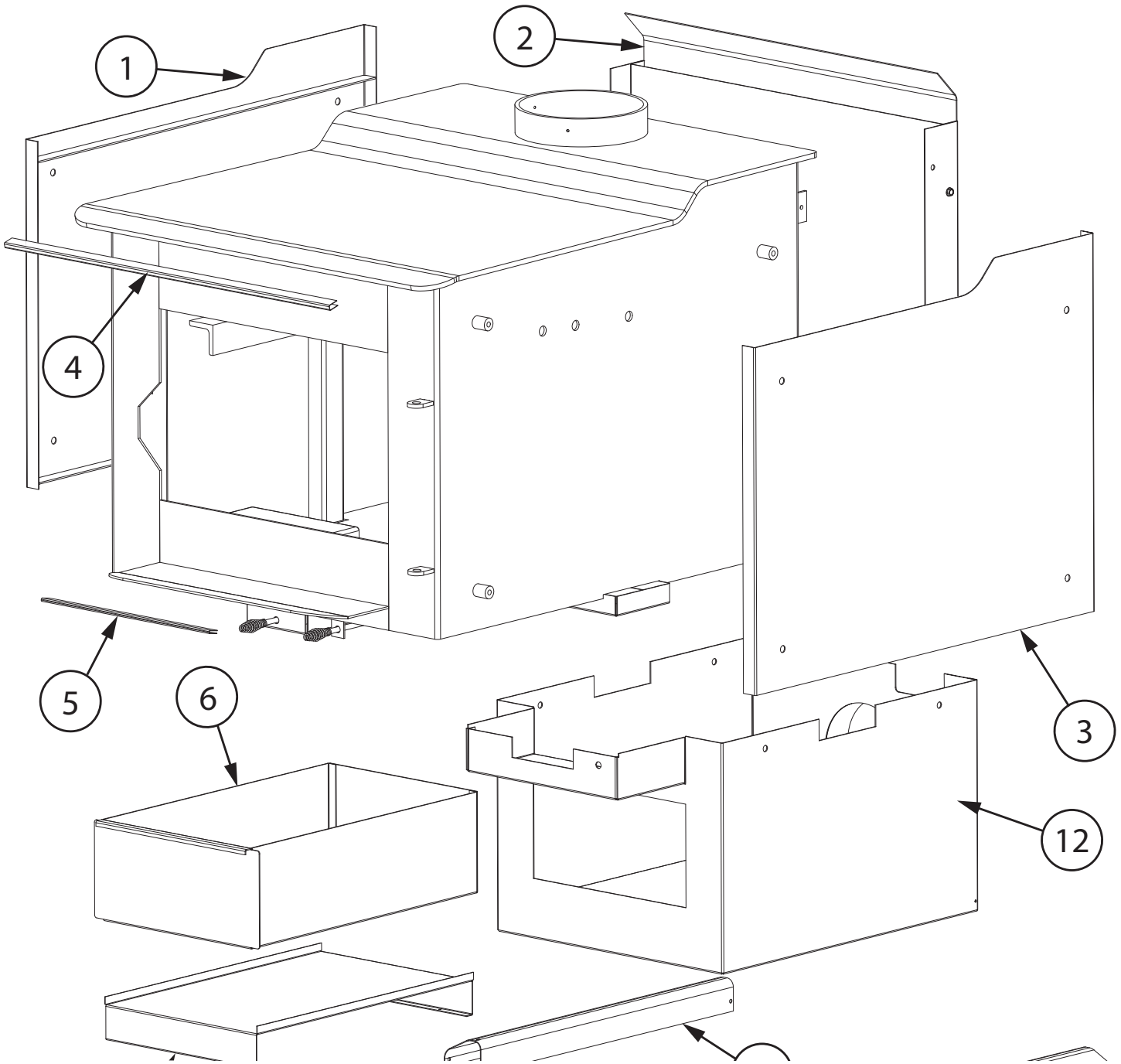
Wiring Diagram

DANGER: SHOCK HAZARD. DISCONNECT POWER SOURCE BEFORE INSTALLATION AND WHENEVER SERVICING BLOWER ASSEMBLY.

CAUTION: MOVING PARTS CAN CAUSE INJURY. DO NOT OPERATE WITH COVER REMOVED.



Ordering Parts

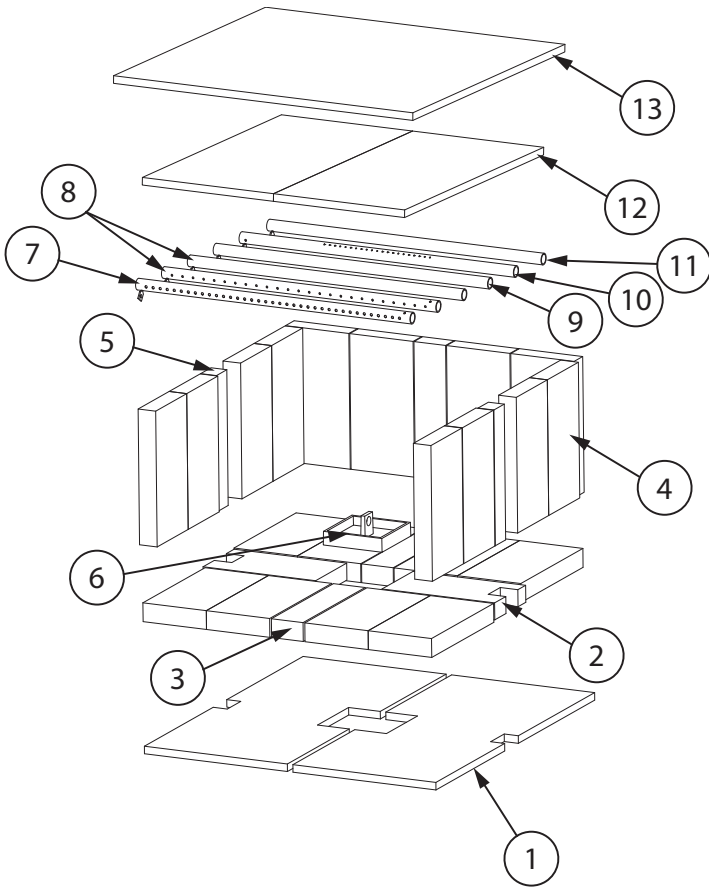


Key	Part #	Description	Qty
1	892268	Heat Shield (Left)	1
2	892269	Heat Shield (Rear)	1
3	892267	Heat Shield (Right)	1
4	892278	Top Trim	1
5	892279	Hearth Trim	1
6	69912	Ash Drawer	1

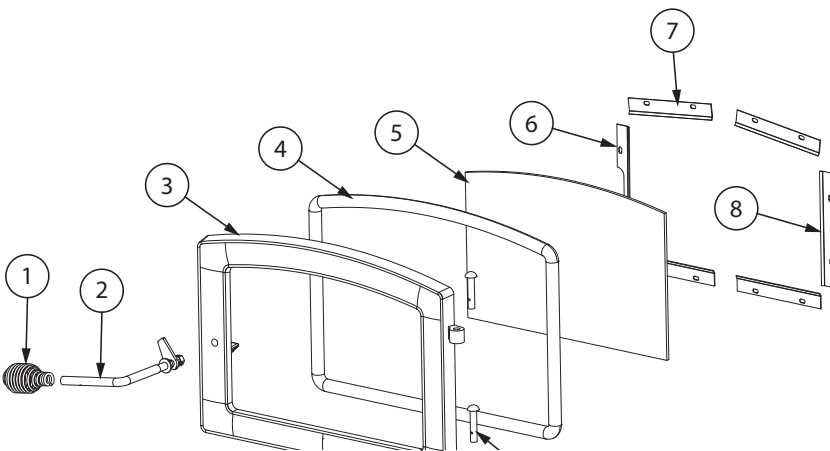
7	26548	Ash Drawer Support	1
8	26541	Left Side Skirt	1
9	40597	Skirt Corner	2
10	26546	Front Skirt	1
11	26553	Right Side Skirt	1
12	69911	Pedestal	1

IN ORDER TO MAINTAIN WARRANTY, COMPONENTS MUST BE REPLACED USING ORIGINAL MANUFACTURERS PARTS PURCHASED THROUGH YOUR DEALER OR DIRECTLY FROM THE APPLIANCE MANUFACTURER. USE OF THIRD PARTY COMPONENTS WILL VOID THE WARRANTY.

Parts List



Key	Part #	Description	Qty
1	88194	C-Cast Bottom	2
2	892280	Notched Firebrick	2
3	891414	Half Firebrick	3
4	89066	Firebrick (4-1/2 X 9)	20
5	892281	1.5" Firebrick	2
6	40595	Half Brick Ash Plug	1
7	86698	Tube(1), Secondary Air Tube (4mm)	1
8	86699	Tube(2,3), Secondary Air Tube (3mm)	2
9	86700	Tube(4), Secondary Air Tube (2.5mm)	1
10	86701	Tube(5), Secondary Air Tube (2.0mm)	1
11	86702	Tube(6), Secondary Air (No Holes)	1
12	88192	Ceramic Fiber Board Top	2
13	88193	Kao Wool	1



Key	Part #	Description	Qty
1	891135	Spring Handle	1
2	892266	Handle Assembly	1
3	40596	Ponderosa Cast Door	1
4	88082	Rope Gasket 3/4"	3.5 ft
5	892270	Glass, Chamber Door	1
6	26533	Large-Cut, Glass Retainer	1
7	26534	Glass Retainer	4
8	26536	Large, Glass Retainer	1
9	83922	Pin w/Cotter, Hinge	2

IN ORDER TO MAINTAIN WARRANTY, COMPONENTS MUST BE REPLACED USING ORIGINAL MANUFACTURERS PARTS PURCHASED THROUGH YOUR DEALER OR DIRECTLY FROM THE APPLIANCE MANUFACTURER. USE OF THIRD PARTY COMPONENTS WILL VOID THE WARRANTY.

Notes

SERVICE RECORD

It is recommended that your heating system is serviced regularly and that the appropriate Service Interval Record is completed.

SERVICE PROVIDER

Before completing the appropriate Service Record below, please ensure you have carried out the service as described in the manufacturer's instructions. Always use the manufacturer's specified spare part when replacement is necessary.

Service 01	Date: _____
Engineer Name: _____	
License No.: _____	
Company: _____	
Telephone No.: _____	
Stove Inspected: <input type="checkbox"/>	Chimney Swept: <input type="checkbox"/>
Items Replaced: _____	

Service 02	Date: _____
Engineer Name: _____	
License No.: _____	
Company: _____	
Telephone No.: _____	
Stove Inspected: <input type="checkbox"/>	Chimney Swept: <input type="checkbox"/>
Items Replaced: _____	

Service 03	Date: _____
Engineer Name: _____	
License No.: _____	
Company: _____	
Telephone No.: _____	
Stove Inspected: <input type="checkbox"/>	Chimney Swept: <input type="checkbox"/>
Items Replaced: _____	

Service 04	Date: _____
Engineer Name: _____	
License No.: _____	
Company: _____	
Telephone No.: _____	
Stove Inspected: <input type="checkbox"/>	Chimney Swept: <input type="checkbox"/>
Items Replaced: _____	

Service 05	Date: _____
Engineer Name: _____	
License No.: _____	
Company: _____	
Telephone No.: _____	
Stove Inspected: <input type="checkbox"/>	Chimney Swept: <input type="checkbox"/>
Items Replaced: _____	

Service 06	Date: _____
Engineer Name: _____	
License No.: _____	
Company: _____	
Telephone No.: _____	
Stove Inspected: <input type="checkbox"/>	Chimney Swept: <input type="checkbox"/>
Items Replaced: _____	

Service 07	Date: _____
Engineer Name: _____	
License No.: _____	
Company: _____	
Telephone No.: _____	
Stove Inspected: <input type="checkbox"/>	Chimney Swept: <input type="checkbox"/>
Items Replaced: _____	

Service 08	Date: _____
Engineer Name: _____	
License No.: _____	
Company: _____	
Telephone No.: _____	
Stove Inspected: <input type="checkbox"/>	Chimney Swept: <input type="checkbox"/>
Items Replaced: _____	

HOW TO ORDER REPAIR PARTS / COMMENT COMMANDER DES PIÈCES DÉTACHÉES

This manual will help you obtain efficient, dependable service from your heater, and enable you to order repair parts correctly.

Keep this manual in a safe place for future reference.

When writing, always give the full model number which is on the nameplate attached to the heater.

When ordering repair parts, always give the following information as shown in this list /

Ce manuel vous aidera à obtenir un fonctionnement efficace et fiable de votre poêle et vous permettra de commander correctement toute pièce détachée.

Gardez ce manuel dans un lieu sûr pour toute consultation ultérieure.

Lorsque vous nous écrivez, donnez toujours le numéro de modèle complet qui se trouve sur la plaque signalétique fixée sur l'appareil de chauffage.

Lors de commandes de pièces détachées, donnez toujours les informations suivantes telles qu'illustrées dans cette liste:

1. The Part Number / Le Numéro De Pièce _____

2. The Part Description / La Description De La Pièce _____

3. The Model Number / Le Numéro De Modèle _____

4. The Serial Number / Le Numéro De Série _____

United States Stove Company
227 Industrial Park Road
South Pittsburg, TN 37380
800-750-2723
www.usstove.com

Enregistrement De Service

Il est recommandé que votre système de chauffage est desservi régulièrement et que le Service Interval enregistrement approprié est terminée.

FURNISSEUR DE SERVICES

Avant de terminer l'enregistrement de service approprié ci-dessous, s'il vous plaît vous assurer que vous avez effectué le service tel que décrit dans le les instructions du fabricant. Toujours utiliser pièce de rechange indiquée par le fabricant lors de remplacement est nécessaire.

Service de 01	Date: _____
Nom de l'ingénieur: _____	N° de licence: _____
Compagnie: _____	N° de téléphone: _____
Articles Remplacé: _____	Poêle Inspecté: <input type="checkbox"/> Cheminée balayée: <input type="checkbox"/>

Service de 03	Date: _____
Nom de l'ingénieur: _____	N° de licence: _____
Compagnie: _____	N° de téléphone: _____
Articles Remplacé: _____	Poêle Inspecté: <input type="checkbox"/> Cheminée balayée: <input type="checkbox"/>

Service de 05	Date: _____
Nom de l'ingénieur: _____	N° de licence: _____
Compagnie: _____	N° de téléphone: _____
Articles Remplacé: _____	Poêle Inspecté: <input type="checkbox"/> Cheminée balayée: <input type="checkbox"/>

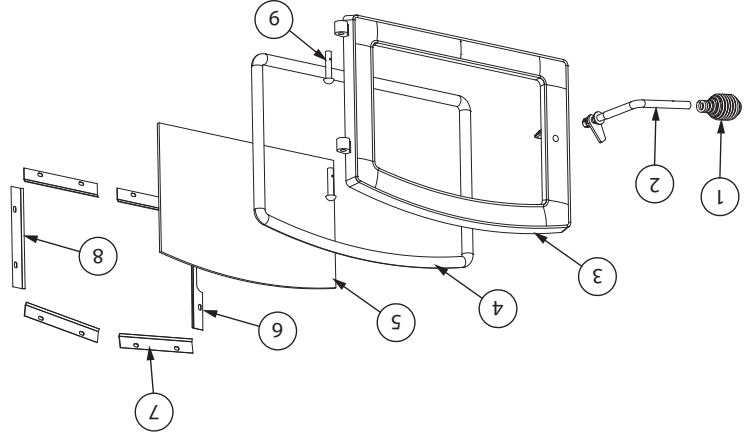
Service de 07	Date: _____
Nom de l'ingénieur: _____	N° de licence: _____
Compagnie: _____	N° de téléphone: _____
Articles Remplacé: _____	Poêle Inspecté: <input type="checkbox"/> Cheminée balayée: <input type="checkbox"/>

Service de 06	Date: _____
Nom de l'ingénieur: _____	N° de licence: _____
Compagnie: _____	N° de téléphone: _____
Articles Remplacé: _____	Poêle Inspecté: <input type="checkbox"/> Cheminée balayée: <input type="checkbox"/>

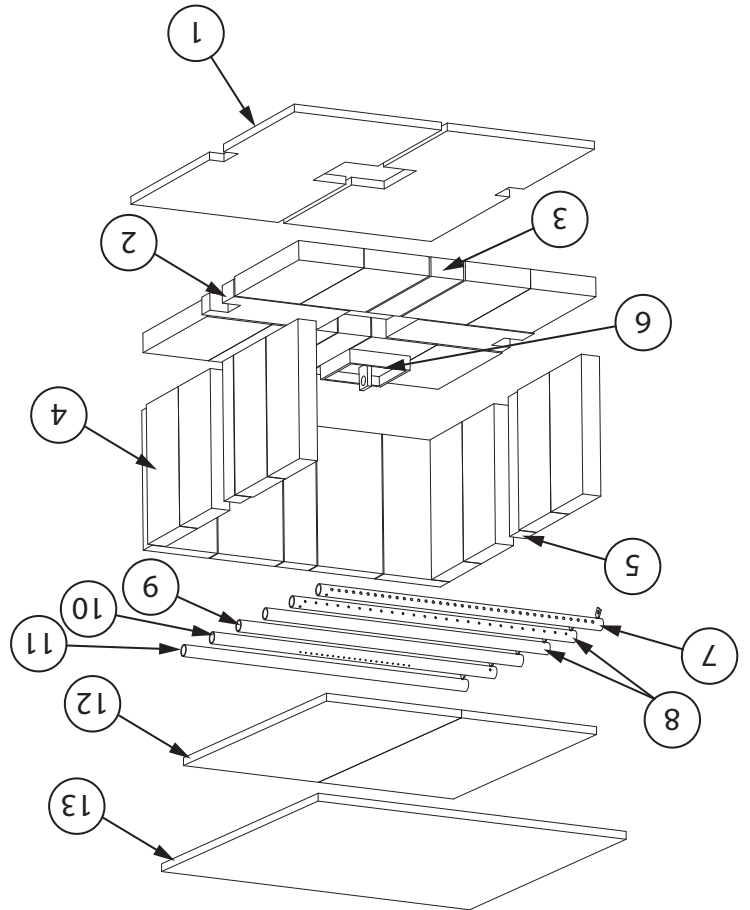
Service de 08	Date: _____
Nom de l'ingénieur: _____	N° de licence: _____
Compagnie: _____	N° de téléphone: _____
Articles Remplacé: _____	Poêle Inspecté: <input type="checkbox"/> Cheminée balayée: <input type="checkbox"/>

AFIN DE MAINTENIR LA GARANTIE, LES COMPOSANTS DOIVENT ÊTRE REMPLACÉS PAR DES PIÈCES D'ORIGINE ACHETÉES CHEZ VOTRE REVENDEUR OU DIRECTEMENT AUPRÈS DU FABRICANT DE L'APPAREIL. L'UTILISATION DE COMPOSANTS TIERS ANNULERA LA GARANTIE.

Qté	Partie #	La Description
1	891135	Poignée à ressort
1	892266	Assemblage de la poignée
1	40596	Ponderosa Cast Door
3,5 pi	88082	Joint de corde 3/4 po
1	892270	Verre, porte de la chambre
1	26533	Rétenu en verre de grande taille
4	26534	Verre de rétenu
1	26536	Grand verre de rétenu
9	83922	Broche avec goupille, charnière



Qté	Partie #	La Description
2	88194	C-Cast Bas
2	892280	Brique de feu entaillée
3	891414	Demi brique réfractaire
4	89066	Brique réfractaire (4-1 / 2 x 9)
5	892281	1,5 po brique réfractaire
1	40595	Bouchon de cendre demi-brique
1	86698	tube d'air secondaire (1) (4mm)
2	86699	tube d'air secondaire (2,3) (3mm)
1	86700	tube d'air secondaire (4) (2,5mm)
1	86701	tube d'air secondaire (5) (2,0mm)
1	86702	tube d'air secondaire (6) (sans trous)
2	88192	Plateau en fibre de céramique
13	88193	Laine Kao

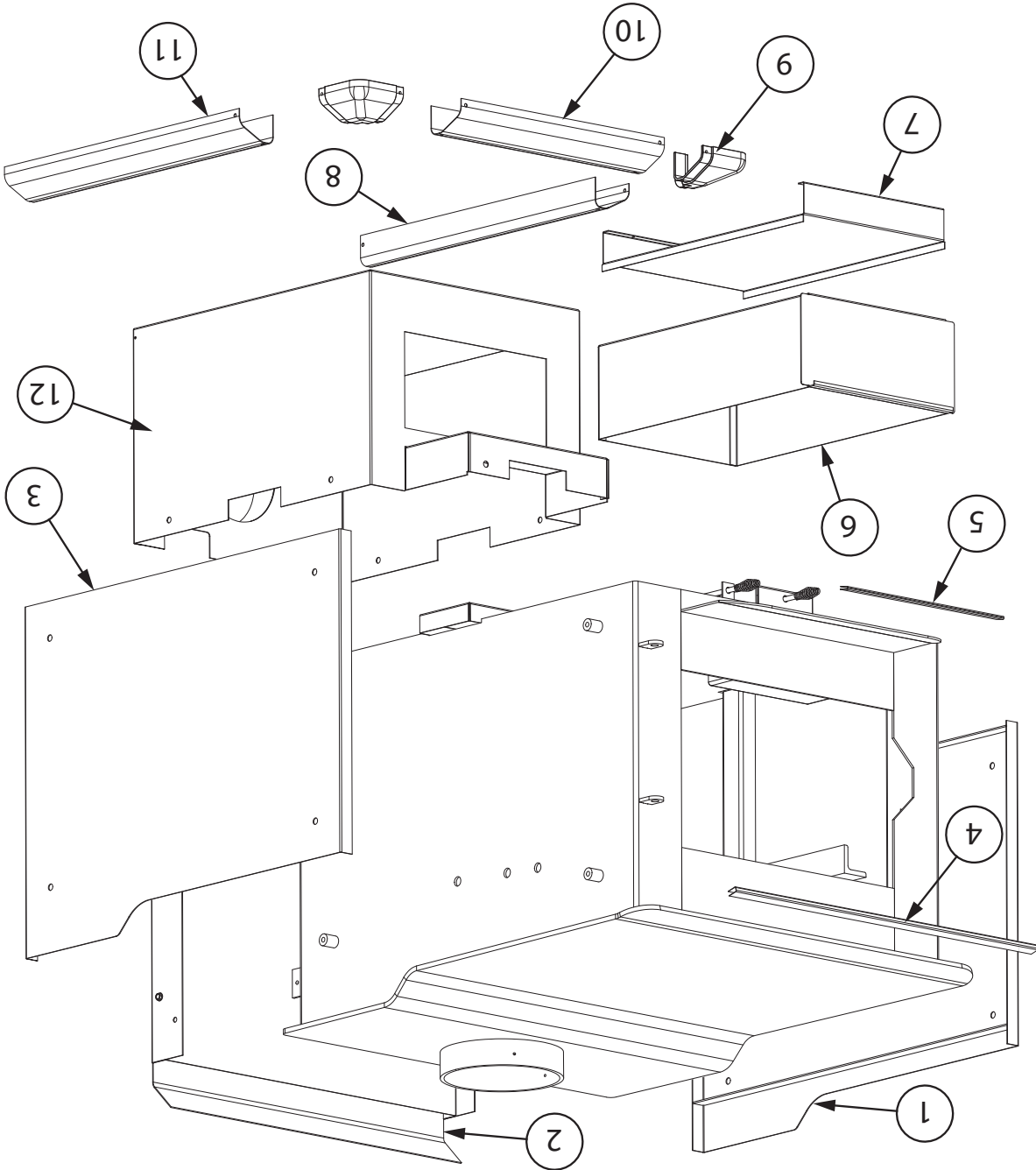


Liste Des Pièces

AFIN DE MAINTENIR LA GARANTIE, LES COMPOSANTS DOIVENT ÊTRE REMPLACÉS PAR DES PIÈCES D'ORIGINE ACHETÉES CHEZ VOTRE REVENDEUR OU DIRECTEMENT AUPRÈS DU FABRICANT DE L'APPAREIL. L'UTILISATION DE COMPOSANTS TIERS ANNULERA LA GARANTIE.

Clé	Partie #	La Description	Qté
1	892268	Bouclier thermique (gauche)	1
2	892269	Bouclier thermique (arrière)	1
3	892267	Bouclier thermique (droite)	1
4	892278	Garniture supérieure	1
5	892279	Garniture de foyer	1
6	69912	Tiroir à cendres	1

7	26548	Support de tiroir à cendres	1
8	26541	Jupe côté gauche	1
9	40597	Coin de jupe	2
10	26546	Jupe avant	1
11	26553	Jupe côté droit	1
12	69911	Piédestal	1



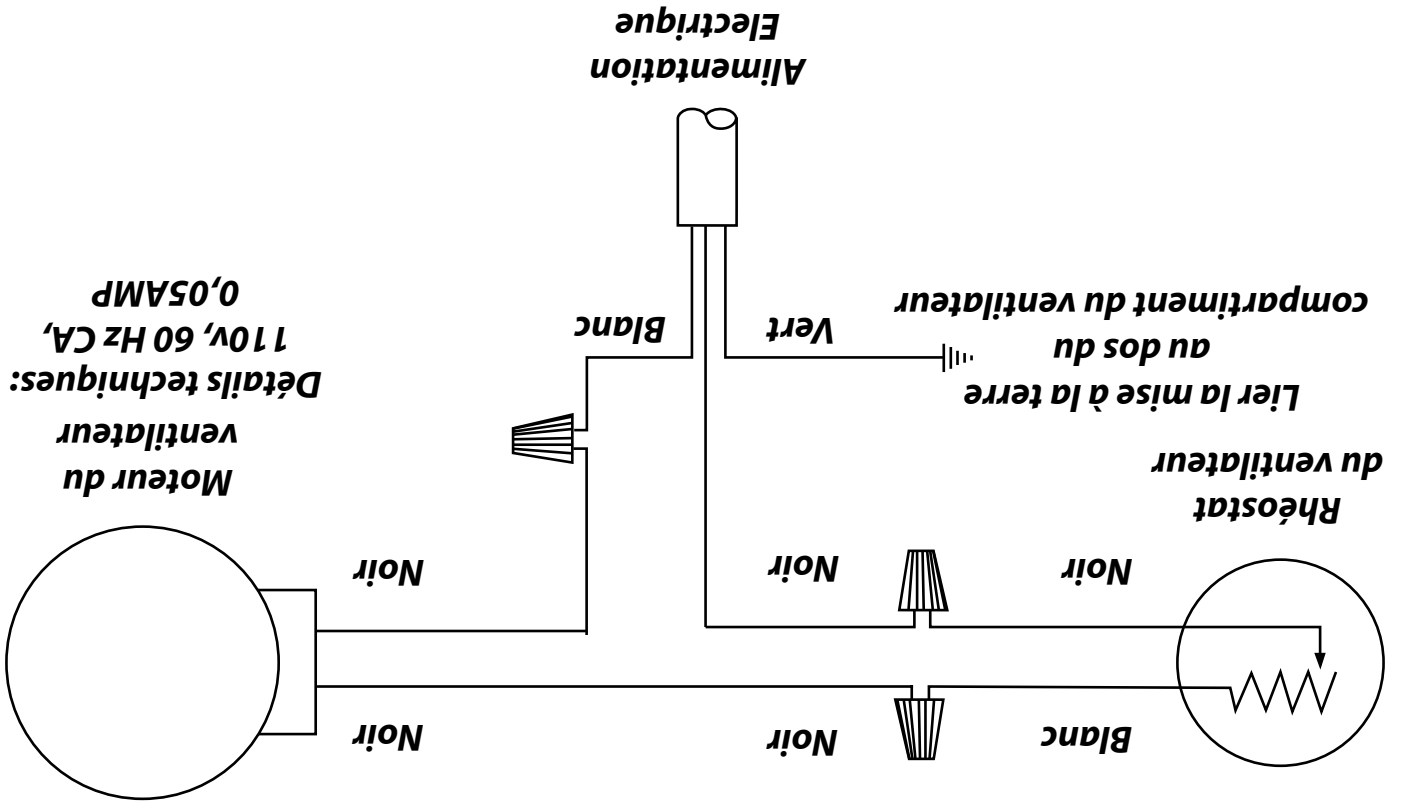
Commander Des Pièces

Diagramme De Fil

ENTRETIEN DU VENTILATEUR REFOULANT Le ventilateur refoulant en option ne nécessite aucun entretien à part son nettoyage. Aspirez légèrement le moteur et l'entrée d'air pour les maintenir exempts de poussières et la saleté.

DANGER: Risque d'électrocution. Débrancher l'alimentation électrique avant l'installation et lors de l'entretien de l'as-semblage du ventilateur refoulant.

ATTENTION: Pièces mobiles pouvant causer des blessures. Ne pas faire fonctionner si le cou-vertice est retiré.



AVIS: Ne pas laisser le fil électrique entrer en contact avec une surface chaude! Garder le fil électrique à 12po / 30cm au moins de la surface du poêle ou des conduits.

AVIS: tout câblage de remplacement doit avoir une isolation et des caractéristiques thermiques similaires à l'original (105°C).

DÉTECTEURS DE FUMÉE ET DE CO

Le brûlage du bois produit naturellement des émissions de fumée et du monoxyde de carbone (CO). Le CO est un gaz poison lorsque l'exposition se fait à des concentrations élevées pour une période de temps prolongée. Bien que les systèmes de combustion modernes des chauffages réduisent de façon importante la quantité de CO émis par la cheminée, l'exposition aux gaz dans des endroits fermés ou clos peut être dangereuse. Assurez-vous que les joints d'étanchéité de votre poêle et les joints de la cheminée soient en bon état et qu'ils scellent correctement, évitant les expositions indésirables. Il est recommandé que vous utilisiez des détecteurs de fumée et de CO dans les zones où se trouve un potentiel de génération de CO.

ENTRETIEN VERRE

- Inspectez et nettoyez régulièrement la vitre pour détecter d'éventuelles fissures. Si vous en repérez, étiquetez immédiatement le poêle. N'abusez pas de la vitre vitrée en la claquant ou en la claquant. N'utilisez pas le poêle si le verre est cassé.
- Si le verre de votre poêle se brise, remplacez-le uniquement par le verre fourni par votre revendeur de chauffage. Ne remplacez jamais d'autres matériaux par le verre.
- Pour remplacer la vitre, retirez les vis retenant les moules en verre à l'intérieur de la porte. Retirez les moules et remplacez la pièce endommagée par une nouvelle. Effectuez la procédure à l'envers après l'avoir remplacé. Lors du remplacement de la vitre, vous devez changer le joint en verre pour vous assurer de le garder scellé.
- Ne lavez jamais la vitre avec un produit qui pourrait rayer. Utilisez un produit spécialisé, disponible dans les magasins où les poêles à bois sont vendus. Le verre ne doit être lavé qu'à froid.

Avertissement: Remplacez le verre uniquement par du verre céramique haute température de 5 mm de la bonne taille. N'utilisez pas de matériaux de substitution tels que du verre trempé ou du verre à vitre double épaisseur! Contactez le fabricant du poêle pour le remplacement du verre.

ENTRETIEN DES JOINTS

La porte de cet appareil utilise un joint de corde de 3/4 po de diamètre. Il est recommandé de changer le joint de porte (qui rend la porte de votre poêle étanche à l'air) une fois par an, afin d'assurer un bon contrôle de la combustion, une efficacité et une sécurité maximales. Pour changer le joint de porte, retirez simplement celui qui est endommagé. Nettoyez soigneusement la rainure de joint disponible, appliquez un silicone haute température vendu à cet effet et installez le nouveau joint. Vous pouvez rallumer votre poêle environ 24 heures après avoir terminé cette opération.

AVERTISSEMENT: N'UTILISEZ JAMAIS LE POÊLE SANS JOINT OU AVEC UN CASSÉ. DES DOMMAGES AU POÊLE OU À L'INCENDIE DE LA MAISON PEUVENT EN RÉSULTER.

ATTENTION: Ce poêle à bois doit être inspecté et réparé périodiquement pour fonctionner correctement. Il est contraire à réglementation fédérale de faire fonctionner ce poêle à bois d'une manière non conforme aux instructions d'utilisation de ce manuel.

ATTENTION:

- LES CENDRES POURRAIENT CONTENIR DES EMBRES CHAUDES MÊME APRÈS DEUX JOURS SANS FAIRE FONCTIONNER LE POÊLE.
- LE CENDRIER PEUT DEVENIR TRÈS CHAUD. PORTER DES GANTS POUR PRÉVENIR LES BLESSURES.
- NE BRÛLEZ JAMAIS LE POÊLE AVEC LE PIÈGE À CENDRES OUVERT. CELA POURRAIT PROVOQUER PLUS DE CUISSON DU POÊLE. DES DOMMAGES AU POÊLE ET À UN MÊME INCENDIE PEUVENT EN RÉSULTER.

Entretien De La Cheminée

ATTENTION: Tenter d'atteindre un taux de puissance calorifique dépassant les spécifications de conception du chauffage peut lui causer des dommages permanents, ainsi qu'au catalyseur de postcombustion s'il est présent.

ATTENTION: Les feux prolongés à combustion lente ou brûler du bois vert pourraient causer une accumulation de créosote. L'embrasement de la créosote ou la surchauffe pourrait causer un incendie de cheminée. Les incendies de cheminée atteignent des températures extrêmement hautes et pourraient donc embraser les matériaux inflammables environnants. En cas d'un incendie de cheminée, appelez les pompiers tout de suite!

FORMATION DE CRÉOSOTE ET BESOIN D'ENTRETIEN

Lorsque le bois est brûlé lentement, il produit du goudron et d'autres vapeurs organiques, qui se combinent avec l'humidité expulsée pour former de la créosote. Les vapeurs de créosote se condensent dans le conduit de cheminée relativement frais d'un feu à combustion lente. Par conséquent, des résidus de créosote s'accumulent sur le revêtement du conduit de fumée. Lorsqu'elle est allumée, cette créosote fait un feu extrêmement élevé. Le raccord de cheminée et la cheminée doivent être inspectés au moins une fois tous les deux mois pendant la saison de chauffage pour déterminer si une accumulation de créosote s'est produite. Si la créosote s'est accumulée (3 mm ou plus), elle doit être retirée pour réduire le risque d'incendie de cheminée.

Nous vous recommandons fortement d'installer un thermomètre magnétique sur votre tuyau d'échappement de fumée, à environ 18 po au-dessus du poêle. Ce thermomètre indiquera la température de vos fumées d'échappement de gaz dans le système d'évacuation des fumées. La température idéale pour ces gaz se situe entre 275°F et 500°F. En dessous de ces températures, l'accumulation de créosote est favorisée. Au-dessus de 500°F, la chaleur est perdue car une trop grande quantité est perdue dans l'atmosphère.

POUR ÉVITER LA CONSTRUCTION DE CRÉOSOTE

- Brûlez toujours du bois sec. Cela permet des brûlures propres et des températures de cheminée plus élevées, donc moins de dépôt de créosote.
- Laissez le contrôle d'air complètement ouvert pendant environ 5 min. chaque fois que vous rechargez le poêle pour le ramener à des températures de fonctionnement appropriées. La combustion secondaire ne peut avoir lieu que si le foyer est suffisamment chaud.
- Vérifiez toujours le dépôt de créosote une fois tous les deux mois et faites nettoyer votre cheminée au moins une fois par an.
- En cas d'incendie de cheminée ou de créosote, fermez immédiatement tous les registres. Attendez que le feu s'éteigne et que le chauffe-eau refroidisse, puis inspectez la cheminée pour déceler tout dommage. Si aucun dommage ne se produit, effectuez un nettoyage de cheminée pour vous assurer qu'il ne reste plus de dépôts de créosote dans la cheminée.

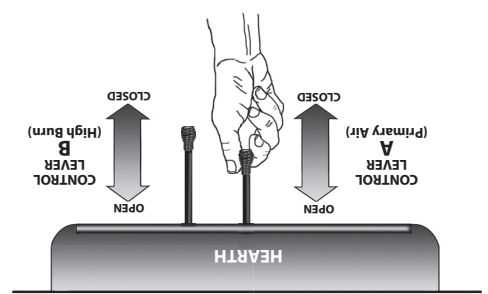
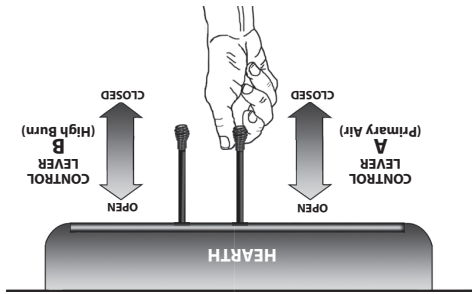
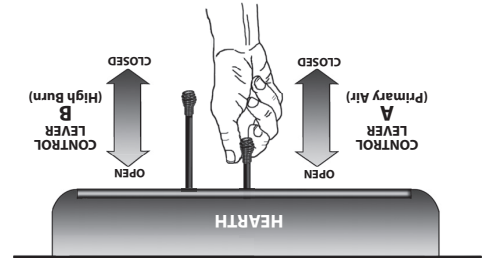
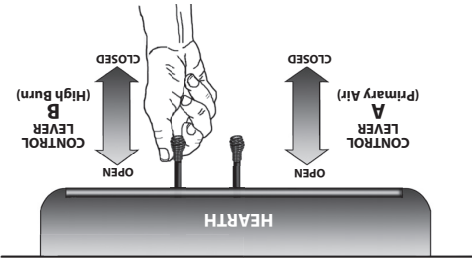
AVERTISSEMENT: Un feu de cheminée peut provoquer l'inflammation de poteaux muraux ou de chevrons qui étaient supposés être à une distance sûre de la cheminée. En cas d'incendie de cheminée, faites inspecter votre cheminée par un expert qualifié avant de l'utiliser à nouveau.

ENLEVEMENT DES CENDRES ET LEUR DISPOSITION

Lorsque les cendres atteignent 8 à 10 cm (3 à 4 po) d'épaisseur dans votre boîte à feu ou bac à cendres, et que le feu est éteint et froid, retirez les cendres en excès. Laissez un lit de cendres d'environ 3 cm (1 po) d'épaisseur sur le fond de la boîte à feu pour aider à conserver une couche chaude de charbon.

Les cendres doivent être placées dans un récipient en métal recouvert d'un couvercle bien ajusté. Le récipient de cendres fermé doit être placé sur un plancher incombustible ou sur le sol, loin des matériaux combustibles, en attendant sa mise au rebut finale. Les cendres doivent être conservées dans le récipient fermé jusqu'à ce qu'elles aient pu complètement refroidir.

Pour un réglage de combustion faible une fois que la charge de combustible à combustion élevée (ou moyenne) est brûlée dans un lit de charbon établi, chargez l'unité avec 31 à 32 livres de bois de corde et laissez la porte ouverte pendant deux minutes. Après deux minutes, fermez la porte. Gardez le volet d'air secondaire complètement ouvert pendant 10 minutes, puis fermez-le complètement et réglez le volet d'air primaire à moitié fermé. Au moment de 15 minutes de chargement de votre carburant, la glissière d'air primaire doit être réglée bas qui tire complètement le toboggan vers vous. REMARQUE: ne fermez pas l'air trop rapidement. Fermer l'air trop rapidement entraînera la fumée de l'appareil.



AVERTISSEMENTS:

- NE JAMAIS SURCHAUFFER VOTRE POÊLE. SI UNE PARTIE DU POÊLE COMMENCE À LUMIÈRE ROUGE, PLUS DE CUISSON ARRIVE. RÉAJUSTEZ LA COMMANDE D'AIR À UN RÉGLAGE PLUS BAS.
- L'INSTALLATION D'UN BERCEAU À BÛCHES OU DE GRILLES N'EST PAS RECOMMANDÉE DANS VOTRE POÊLE À BOIS.
- CONTRUISEZ LE FEU DIRECTEMENT SUR FIREBRICK.
- NE METTEZ JAMAIS DE BOIS AU-DESSUS DE LA DOUBLURE DU FEU DE FEU.
- LES TENTATIVES POUR ATTEINDRE DES DÉBITS DE CHALEUR SUPÉRIEURS AUX SPÉCIFICATIONS DE CONCEPTION DU RÉCHAUFFEUR PEUVENT ENTRAÎNER DES DOMMAGES PERMANENTS AU RÉCHAUFFEUR.

FUMÉE VISIBLE

La quantité de fumée visible produite peut être une méthode efficace pour déterminer l'efficacité du processus de combustion aux paramètres donnés. La fumée visible est constituée de combustible non brûlé et d'humidité sortant de votre poêle. Apprenez à régler les paramètres d'air de votre unité spécifique pour produire la plus petite quantité de fumée visible et le bois qui n'a pas été correctement séché et qui a une teneur élevée en humidité produira un excès de fumée visible et brûlera mal.

CONDUITS D'AIR

Les conduits d'air assemblés dans cette unité sont conçus pour offrir un mélange précis d'air secondaire et assurer une plus grande efficacité. Tout dommage ou détérioration de ces conduits peut réduire l'efficacité de la combustion. Les conduits d'air sont maintenus en position par des vis ou par des goupilles de blocage. Localisez et enlevez-les des deux côtés du conduit pour le retirer et le remettre en place.

FONCTIONNEMENT DE LA SOUFFLERIE

La soufflerie à vitesse variable circule l'air réchauffé par l'insert dans les pièces à vivre afin de distribuer la chaleur de manière plus égale. Le bouton de contrôle de la soufflerie est situé sur le côté de son enveloppe. Tournez le bouton dans le sens des aiguilles d'une montre pour allumer la soufflerie. La vitesse est contrôlée en tournant le bouton dans le sens des aiguilles d'une montre pour les vitesses plus lentes et dans le sens inverse des aiguilles d'une montre pour les vitesses plus rapides. Pour éteindre la soufflerie, tournez complètement le bouton de contrôle de vitesse dans le sens inverse des aiguilles d'une montre. Il est recommandé d'éteindre la soufflerie quand l'insert n'est pas utilisé.

ALTÉRER AVERTISSEMENT

Ce chauffage au bois a un taux de combustion minimum réglé à la fabrication, et qui ne peut être modifié. La modification de ce réglage ou une utilisation autre de ce chauffage au bois qui ne respecterait pas les directives du présent manuel contrevient aux réglementations fédérales.

EFFICACITÉ

Les rendements peuvent être basés sur la valeur calorifique inférieure (LHV) ou la valeur calorifique supérieure (HHV) du combustible. La valeur calorifique inférieure est lorsque l'eau quitte le processus de combustion sous forme de vapeur, dans le cas des poêles à bois, l'humidité du bois brûlé quitte le poêle sous forme de vapeur. Le pouvoir calorifique supérieur est lorsque l'eau quitte le processus de combustion complètement condensée. Dans le cas des poêles à bois, cela supposerait que les gaz d'échappement sont à température ambiante à la sortie du système, et donc les calculs utilisant cette valeur de chauffage considèrent la chaleur qui monte dans la cheminée comme une énergie perdue. Par conséquent, l'efficacité calculée en utilisant le pouvoir calorifique inférieur du bois sera supérieure à l'efficacité calculée en utilisant le pouvoir calorifique supérieur. La meilleure façon d'atteindre des rendements optimaux est d'apprendre les caractéristiques de combustion de votre appareil et de brûler du bois bien séché. Des taux de combustion plus élevés ne sont pas toujours les meilleurs taux de combustion par chauffage; après avoir établi un bon feu, un taux de combustion inférieur peut être une meilleure option pour un chauffage efficace. Un taux de combustion inférieur ralentit le flux de chaleur utilisable hors de la maison par la cheminée, et il consomme également moins de bois.

NOTIFICATION - LES PREMIERS FEUX POUR SÉCHER LA PEINTURE

À CAUSE DES HAUTES TEMPÉRATURES ATTEINTES LORS DU FONCTIONNEMENT, CET APPAREIL EST REVÊTU D'UNE PEINTURE SPÉCIALE CONÇUE POUR LES HAUTES TEMPÉRATURES. ELLE EXIGE UNE SÉRIE DE FEUX À INTENSITÉ BASSE ET MOYENNE POUR SÉCHER ENTièrement ET AINSI GARANTIR LA DURABILITÉ ET LA VIE DE SERVICE.

Le séchage correct de la peinture à haute température exige une série de trois feux initiaux. L'appareil devrait être refroidi entre chaque feu. Les deux premiers feux devraient être des petits feux à température basse (250°F) pour une durée de 20 minutes chacun. Le troisième feu devrait être à une température moyenne (500°F à 700°F) pendant 20 minutes. Aérez de façon suffisante pour éliminer la fumée ou les odeurs causées par ces feux.

Remarque: utilisez uniquement du bois de chauffage solide! Ne brûlez pas les ordures ou les liquides inflammables. N'utilisez pas de charbon. Cet appareil n'est pas conçu pour accueillir le débit d'air (tirage) requis pour brûler correctement le charbon ou les produits du charbon. Ne pas élever le feu à l'aide de grilles ou de fers. Construisez le feu directement sur la brique réfractaire.

INSTRUCTIONS DE RAVITALEMENT

Ce poêle à bois a été certifié par l'US EPA pour répondre aux strictes directives 2020. Pour garantir que cet appareil produit les émissions minimales optimales, il est essentiel que seul du bois de cordon bien séché soit brûlé (voir la section «Recommandations de carburant» de ce manuel). La combustion de bois humide non séché ne fait que nuire à l'efficacité de vos poêles et entraîne une accumulation accélérée de créosote dans votre cheminée. Soyez respectueux de l'environnement et ne brûlez que du bois sec.

ATTENTION: ne laissez pas l'appareil sans surveillance avec la porte ouverte.

Pour un démarrage à froid, placez 4 à 5 morceaux de papier journal dans le foyer. Sur le papier journal, déposez 5 lb de bois d'allumage dans un emplacement aérateur pour assurer la circulation de l'air à travers le bois d'allumage. Sur le bois d'allumage, placez environ 6,5 lb de petits morceaux de bois de corde. REMARQUE: Utilisez des morceaux de bois plus petits pendant le démarrage et un taux de combustion élevé pour augmenter la température du poêle.

Poussez les deux glissières de contrôle d'air en position complètement ouverte. Allumez le journal et fermez la porte. Une fois que le bois d'allumage a brûlé jusqu'à un lit de charbon de démarrage, chargez l'unité d'environ 26 à 27 lb de carburant pour la première charge de combustion élevée et le poêle bien réchauffé, réglez l'unité au besoin pour un réglage de combustion moyen ou faible.

Pour une combustion moyenne, une fois que la charge de combustible à combustion élevée est brûlée jusqu'à un lit de charbon établi, chargez l'unité de 31 à 32 lb de bois de corde et gardez la porte légèrement ouverte pendant 2 minutes. Après deux minutes, fermez la porte. Gardez le volet d'air secondaire complètement ouvert pendant 10 minutes, puis fermez-le complètement et réglez le volet d'air primaire à moitié fermé. Au point de 15 minutes de chargement de votre carburant, la glissière d'air primaire doit être réglée sur le réglage moyen qui est à environ 1/2 pouce ouvert de la position complètement fermée.



Consignes d'Operation

ATTENTION: Danger de risques d'incendie domestique ne stockez pas le bois sur la plaque de protection, dessous les tuyaux de l'insert le cas échéant, ou n'importe où dans les dégagements spécifiés pour cet appareil.

PRÉCAUTIONS DE SÉCURITÉ LORS DE L'UTILISATION

- Ne surchauffez jamais cet appareil en faisant des feux excessivement chauds car cela pourrait causer l'incendie de la maison/bâtiment. Vous surchauffez l'appareil s'il devient rouge.
- Ne faites jamais de feux excessivement grands dans ce type d'appareil car cela pourrait causer des dommages à l'insert ou des fuites de fumée.
- Ne construisez pas le feu trop près du verre.
- Surfaces chaudes durant son utilisation tenez les enfants, les vêtements et les meubles éloignés. Contact peut causer des brûlures cutanées. Ne touchez l'appareil que lorsqu'il a refroidi.
- Fournissez une quantité suffisante d'air pour la combustion dans la pièce où l'appareil est installé.
- Inspectez le conduit/gaine de cheminée tous les 60 jours. Remplacez le conduit/gaine tout de suite s'il y a des signes de rouille ou de fuite de fumée dans la pièce.

AVERTISSEMENT: RISQUE D'EXPLOSION

- N'utilisez jamais de produits chimiques, essence, carburant de lanterne de type essence, kérosène, liquides d'allumage rapide pour charbon ou fluides similaires inflammables pour commencer ou bien attiser un feu dans l'appareil.
- Gardez les liquides inflammables, surtout l'essence, éloignés de l'appareil – que ce soit dans un but d'utilisation ou de stockage.

Notification: N'utilisez que du bois ! Ne brûlez pas les ordures ou des liquides inflammables. N'utilisez pas de charbon. Cet appareil n'est pas conçu pour accommoder le débit d'air (le tirage) requis pour brûler convenablement du charbon ou des produits issus du charbon. N'utilisez pas de grilles ou de porte-bûches pour surélever le feu. Construisez le feu directement sur les briques réfractaires.

CE POËLE EST CONÇU POUR BRÛLER UN CARBURANT EN BOIS NATUREL SEULEMENT!

Le bois dur, de 18 po (45cm) doit être séché à l'air (assaisoné), pendant au moins 6 mois. Les rondins de plus de 6 po / 1,52mm de diamètre doivent être divisés. Le bois doit être stocké dans un endroit sec et bien ventilé. La teneur en humidité du bois de chauffage utilisable doit être inférieure à 20% du poids du bûche. Ce radiateur est conçu pour brûler uniquement du bois naturel. Une efficacité plus élevée et des émissions plus faibles résultent généralement de la combustion de feuillus séchés à l'air par sécheresse, par rapport aux bois résineux ou aux feuillus verts ou fraîchement coupés.

- problèmes d'allumage - accumulation rapide de créosote résultant en un feu de cheminée
 - combustion incomplète - faible rendement thermique

NE BRÛLUREZ PAS:

1. Des ordures;
2. Les coupures de gazon ou les déchets de jardin;
3. Matériaux contenant du caoutchouc, y compris les pneus;
4. Matériaux contenant du plastique;
5. Déchets des produits pétroliers, des peintures ou des diluants de peinture, ou des produits d'asphalte;
6. Matériaux contenant de l'amiante;
7. Débris de construction ou de démolition;
8. Cravates ferroviaires ou bois traité sous pression;
9. Bois non séché; ou d'eau précieuse;
10. Bois flotté d'eau salée ou d'autres matières saturées;
11. Produits en papier, carton, contreplaqué ou aggloméré;
12. L'interdiction de brûler ces matériaux n'interdit pas l'utilisation d'amortisseurs fabriqués à partir de papier, de carton, de scieure, de cire et de substances similaires pour déclencher un incendie dans un réchauffeur de bois affecté.

Le bois mort tombé des arbres doit être considéré comme étant mouillé et doit donc être séché. Le bois mort peut normalement être considéré comme sec à 66 %. Fendre et empiler le bois avant de l'entreposer accélère son séchage. Entrez le bois sur une surface surélevée du sol et sous un espace abrité de la pluie ou de la neige, accélérera le temps de séchage. Un bon indicateur pour savoir si le bois est prêt à brûler est de vérifier les extrémités du morceau. Si elles sont fendues de tous parts à partir du centre, le bois devrait donc être suffisamment sec. Si votre bois grésille quand il brûle, même si la surface est sèche, il pourrait ne pas être entièrement sec et devrait être laissé à sécher plus longtemps.

Ne pas brûler les bûches fabriquées à partir de scieure imprégnée de cire ou de bûches avec des additifs chimiques. Les bûches fabriquées à partir de scieure de bois compressée à 100% peuvent être brûlées, mais faites attention à brûler trop de ces bûches en même temps. Commencez avec une bûche fabriquée et voyez comment le poêle réagit. Vous pouvez augmenter le nombre de bûches brûlées à la fois pour vous assurer que la température ne dépasse jamais 246°C (475°F) sur un thermomètre magnétique pour une installation sur des tuyaux de poêle à paroi simple ou 482°C (900°F) sur sonde thermométrique pour l'installation sur un tuyau de poêle à double paroi. Le thermomètre doit être placé à environ 18 po (457 mm) au-dessus du poêle. Des températures plus élevées peuvent entraîner une surchauffe et endommager votre poêle.



Recommandations Pour Les Combustibles

UTILISATION DE L'INSERT À BOIS

Votre appareil de chauffage a été conçu pour ne brûler que du bois ; aucun autre combustible ne doit être utilisé. Les déchets et autres matériaux inflammables ne doivent pas être brûlés dans votre insert. N'importe quelle variété de bois peut être utilisée dans votre insert mais certaines ont de meilleurs rendements énergétiques que d'autres. Veuillez consulter s'il vous plaît le tableau suivant pour faire le meilleur choix possible.

Variété	Poids (lbs.cu3)	Par corde	Coefficient d'efficacité	Niveau de difficulté de la coupe	Millions de BTU/corde
Hickory	63	4500	1,0	Bien	31,5
Chêne blanc	48	4100	0,9	Moyen	28,6
Chêne rouge	46	3900	0,8	Moyen	27,4
Hêtre	45	3800	0,7	Difficile	26,8
Erable à sucre	44	3700	0,6	Moyen	26,2
Chêne des teinturiers	43	3700	0,6	Moyen	25,6
Frêne	42	3600	0,5	Bien	25,0
Bouleau jaune	40	3400	0,4	Difficile	23,8
Erable rouge	38	3200	0,3	Moyen	22,6
Bouleau à papier	37	3100	0,3	Facile	22,1
Orme/Sycamore	34	2900	0,2	Très difficile	20,1
Épicéa rouge	29	1800	0,1	Facile	16,1

Il est EXTREMEMENT IMPORTANT DE N'UTILISER QUE DU BOIS SEC dans votre insert à bois. Le bois aurait dû sécher pendant 9 à 15 mois, tel que le pourcentage d'humidité est inférieur à 20% du poids de la bûche. Il est aussi très important de noter que du bois, coupé 2-3 ans auparavant et voir plus, n'est pas nécessairement sec s'il a été stocké dans de mauvaises conditions. Dans des conditions extrêmes, le bois peut même pourrir au lieu de sécher. On ne saurait trop souligner que la vaste majorité des problèmes liés au fonctionnement d'un insert à bois est causée par le fait que le bois utilisé était trop humide ou avait séché dans de mauvaises conditions. Ces problèmes peuvent être :

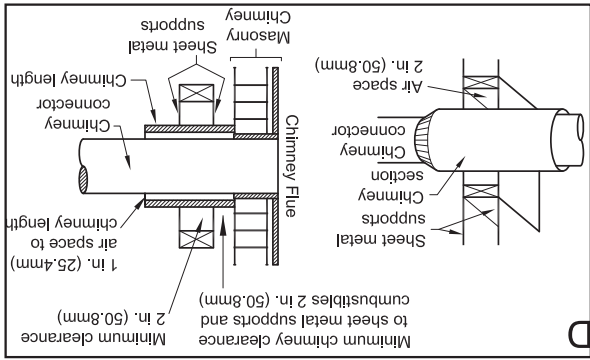
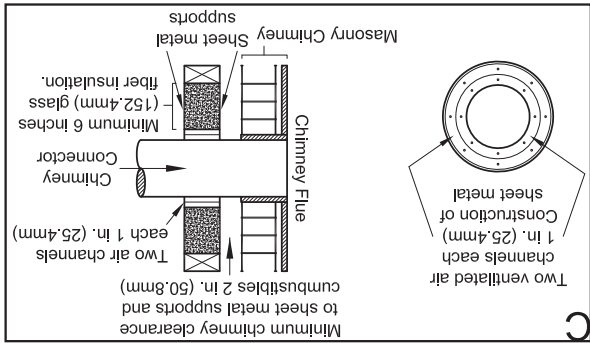
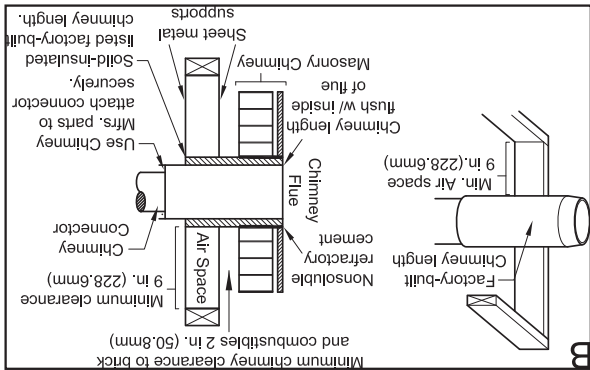
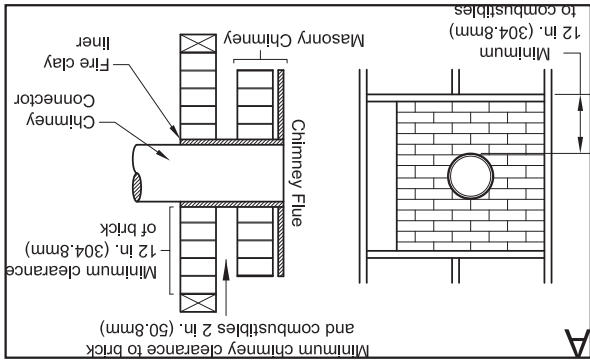
- problèmes d'allumage ;
- accumulation de créosote causant des incendies de cheminée ;
- rendement énergétique bas ;
- fenêtres noircies ;
- combustion incomplète du bois.

Les morceaux de bois plus petits sécheront plus rapidement. Toute bûche ayant un diamètre supérieur à 15 cm devrait être fendue. Le bois ne devrait pas être stocké à même le sol. Il devrait y avoir une bonne circulation de l'air à travers la corde de bois. Un espace d'air de 0,6 à 1,2 m devrait être prévu entre chaque rangée de bûches et un emplacement le plus ensoleillé possible devrait être choisi. La rangée supérieure de bois devrait être protégée des éléments mais pas les côtés.

ESSAYEZ VOTRE BOIS

Quand la totalité de l'insert est complètement chauffé, placez un morceau de bois (diamètre approximatif de 10 cm) parallèle à la porte sur le lit de braises ardentes. Ouvrez complètement le contrôle d'air et fermez la porte. Si l'embrasement du morceau est accompli dans les 90 premières secondes après son introduction dans l'insert, votre bois est correctement séché. Si ce temps est plus long, votre bois est humide. Si votre bois siffle et de l'eau ou des vapeurs s'échappent aux extrémités de la bûche, votre bois est trempé ou a été coupé récemment (bois vert). N'utilisez pas ce bois dans votre insert car de grandes quantités de créosote pourraient se déposer dans votre cheminée, créant ainsi les conditions potentielles pour un incendie de cheminée.

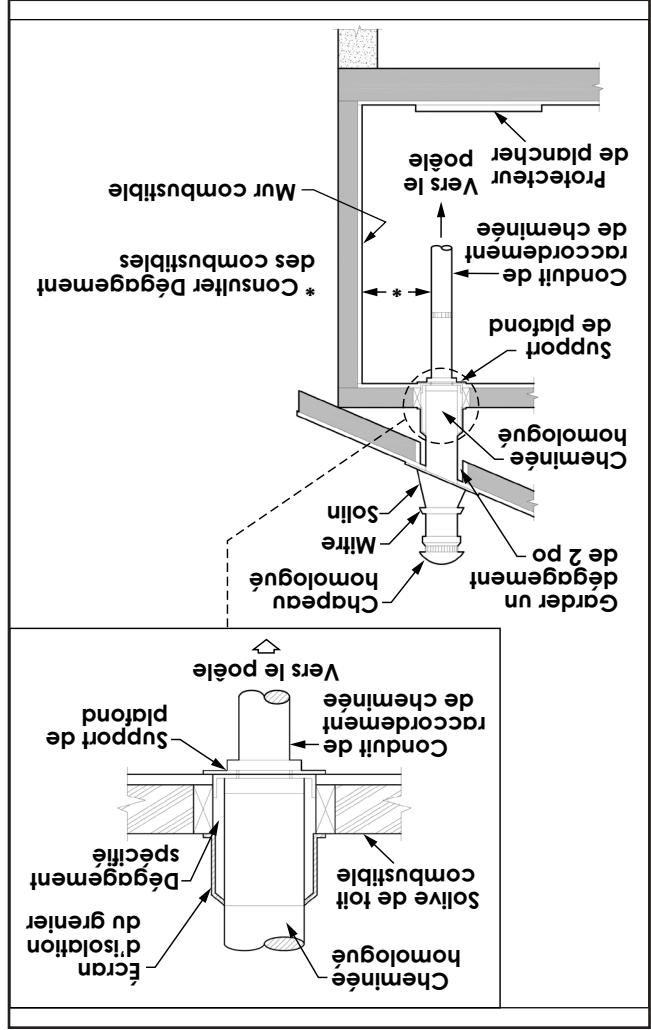
PASSAGES DE RACCORDEMENT DE CHEMINÉE À TRAVERS UNE PAROI COMBUSTIBLE



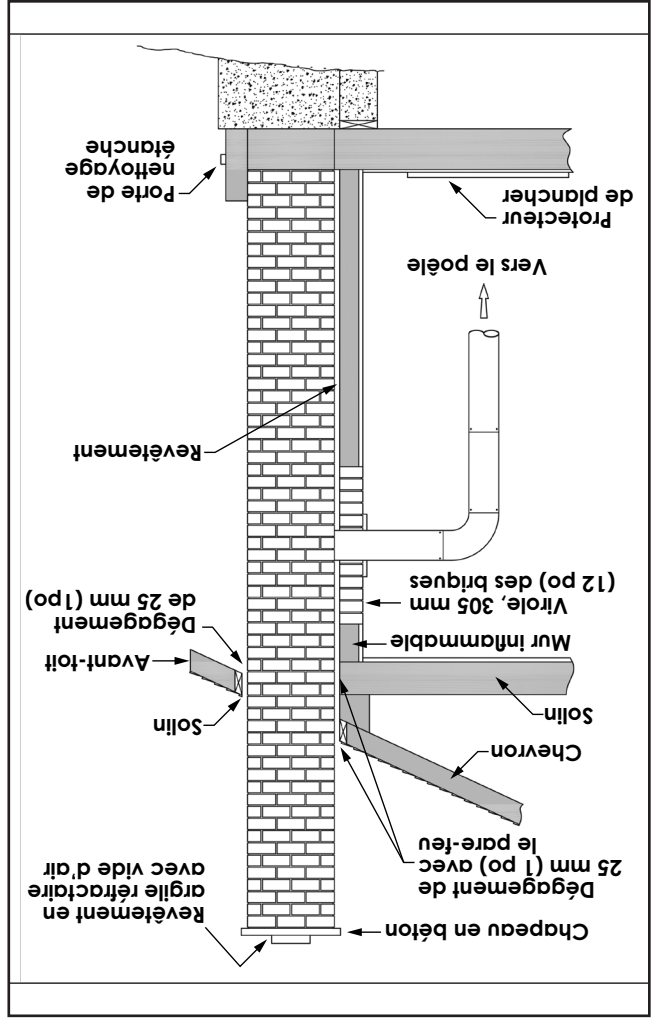
Méthode A. Dégagement de 12 po (304,8 mm) avec un membre de paroi combustible: En utilisant des briques d'une épaisseur minimale de 5/8 po (15,9 mm), construisez un passage à travers la paroi. Le revêtement en argile doit être conforme à l'ASTM C315 (Spécification standard des revêtements réfractaires en argile) ou son équivalent. Maintenez un minimum de 12 po (304,8 mm) de maçonnerie en briques entre le revêtement en argile et les matériaux combustibles de la paroi. Le revêtement en argile devra s'étendre de la surface extérieure de la maçonnerie en briques jusqu'à la surface intérieure du revêtement du carneau de la cheminée mais pas au-delà de la surface intérieure. Coulez ou cimentez fermement le revêtement en argile en place dans le revêtement du carneau de la cheminée.

Méthode B. Dégagement de 9 po (228,6 mm) avec un membre de paroi combustible: En utilisant une partie de cheminée Solid-Pak fabriquée en usine, agréez, de 6 po (152,4 mm) de diamètre intérieur avec une isolation de 1 po (25,4 mm) ou plus, construisez un passage à travers la paroi avec une couche d'air de 9 po (228,6 mm) minimum entre la paroi extérieure de la longueur de la cheminée et les matériaux combustibles de la paroi. Utilisez des supports en tôle fixés de façon sûre aux surfaces de la paroi sur tous les côtés afin de maintenir une couche d'air de 9 po (228,6 mm). Lors de la fixation des supports sur la cheminée (la paroi intérieure de la cheminée Solid-Pak). L'extrémité du revêtement de la section de la cheminée Solid-Pak devra affleurer l'intérieur du carneau de la cheminée en maçonnerie, et être scellée avec un ciment réfractaire non soluble dans l'eau. Utilisez ce ciment pour également calfeutrer la pénétration de la maçonnerie en briques. Méthode C. Dégagement de 6 po (152,4 mm) avec un membre de paroi combustible: En commençant avec un raccord de cheminée métallique de 6 po (152,4 mm) de diamètre 24 (0,024 po [0,61 mm]), et un manchon mural ventilé de calibre 24 minimum ayant deux conduits d'air de 1 po (25,4 mm) chacun, construisez un passage à travers la paroi. Il devra y avoir une zone de séparation de 6 po (152,4 mm) minimum contenant une isolation en fibre de verre, à partir de la surface extérieure du manchon mural jusqu'aux matériaux combustibles de la paroi. Souvenez le manchon mural et couvrez son ouverture avec un support métallique en tôle de calibre 24 minimum. Maintenez un espace de 6 po (152,4 mm). Il devra également y avoir un support dimensionné pour adapter et maintenir le raccord de cheminée métallique. Vérifiez que les supports soient fixés de façon sûre aux surfaces de la paroi sur tous les côtés. Assurez-vous que les éléments de fixation utilisés pour maintenir le raccord de cheminée métallique ne pénétrant pas dans le revêtement du carneau de la cheminée.

Méthode D. Dégagement de 2 po (50,8 mm) avec un membre de paroi combustible: Commencez avec une partie de cheminée Solid-Pak fabriquée en usine, agréez, d'au moins 12 po (304 mm) de diamètre intérieur avec une isolation de 1 po (25,4 mm) ou plus, et un raccord de cheminée de 8 po de diamètre intérieur (de 2 pouces [51 mm] plus grand que celui de 6 po [152,4 mm]). Utilisez celle-ci comme passage pour un raccord de cheminée métallique pour paroi unique de calibre 24 minimum. Maintenez la section concentrique solid-pak avec le raccord de la cheminée et à une distance de 1 po (25,4 mm) de ce dernier grâce aux platines-soutiens en tôle situées aux deux extrémités de la section de la cheminée. Couvrez l'ouverture et soutenez la section de la cheminée des deux côtés à l'aide de supports métalliques en tôles de calibre 24 minimum. Vérifiez que les supports soient fixés de façon sûre aux surfaces de la paroi sur tous les côtés. Assurez-vous des éléments de fixation utilisés pour maintenir le conduit de carneau de la cheminée. REMARQUES: Les raccords d'une cheminée de maçonnerie, sauf ceux de la méthode B, devront s'étendre sur une section continue à travers le système de passage mural et la paroi de la cheminée, jusqu'à la surface du revêtement intérieur du carneau mais sans le dépasser. Un raccord de cheminée ne devra pas passer à travers un grenier ou un plafond, des toillettes ou des espaces confinés similaires, un plancher ou un plafond.



CHEMINÉE EN MAÇONNERIE
 Assurez-vous qu'une cheminée en maçonnerie réponde aux standards minimum de l'Association nationale de protection contre les incendies (NFPA) en la faisant inspecter par un professionnel. Assurez-vous qu'il n'y ait pas de fissures, de mortiers perdus ou d'autres signes de détérioration et de blocage. Faites nettoyer la cheminée avant d'installer et de faire fonctionner le poêle. Lors du raccordement du poêle à travers une paroi combustible vers une cheminée en maçonnerie, des méthodes spéciales sont requises.



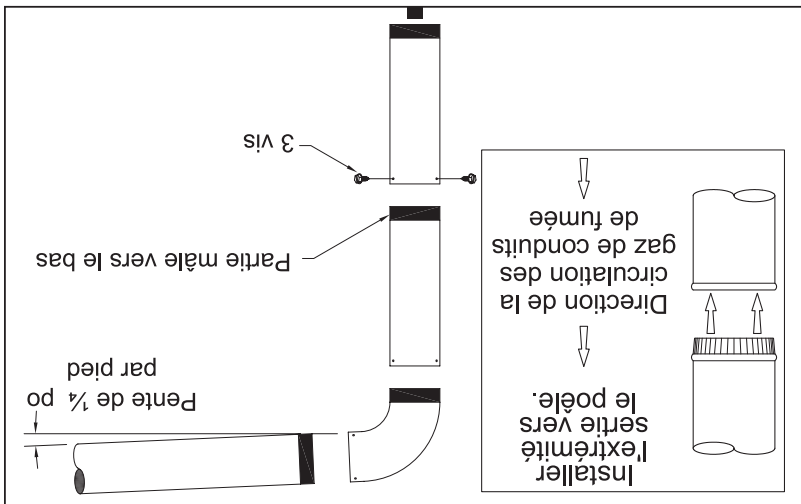
CHEMINÉE FABRIQUÉE EN USINE
 Lorsqu'une cheminée métallique préfabriquée est utilisée, les instructions d'installation du fabricant doivent être respectées. Vous devez également acheter (auprès du même fabricant) et installer l'ensemble de support du toit ou le passage du toit et l'ensemble de la partie en "T", des coupe-feux (si nécessaires), un écran d'isolation, un chapeau de toiture, un chapeau de cheminée, etc. Maintenez un dégagement approprié avec la structure tel que recommandé par le fabricant. La cheminée doit avoir la hauteur requise au-dessus du toit ou d'autres obstructions pour des raisons de sécurité et un bon tirage.

RACCORD DE CHEMINÉE (TUYAU PUSSE)

Le raccord de cheminée et votre cheminée doivent avoir le même diamètre que la sortie du poêle. Si ce n'est pas le cas, nous vous recommandons de contacter votre vendeur afin de vous assurer qu'il n'y aura aucun problème de tirage. Le tuyau de poêle doit être fabriqué dans un acier aluminisé ou laminé à froid d'une épaisseur minimale de 0,021 po ou 0,53 mm. Il est strictement interdit d'utiliser un acier galvanisé. Votre tuyau de fumée devra être assemblé de telle sorte que la partie mâle (extrémité serrée) du tuyau pointe vers le bas. Fixez chacune des parties à une autre avec trois vis à tête équidistantes. Le tuyau horizontalement doit avoir une pente d'au moins 1/4 de pouces par pied, avec l'extrémité supérieure de la partie dirigée vers la cheminée. Une installation avec une section horizontale de tuyau de cheminée doit être conforme à NFPA 211. Vous pouvez contacter la NFPA (Association nationale de protection contre les incendies) et demander la dernière édition du standard 211 de la NFPA. Pour assurer un bon tirage, la longueur totale du tuyau de raccordement ne devra jamais dépasser 8 pi à 10 pi (2,4 m à 3,04 m). (Exception dans le cas d'installations verticales, de type plafond cathédrale où le système d'aspiration des fumées peut être beaucoup plus long et raccordé sans problème au plafond d'un « stabilisateur de tirage barométrique » (registre de cheminée) sur un système d'aspiration des fumées interdié. De plus, l'installation d'un registre de tirage n'est pas recommandée. En effet, avec un poêle à bois de combustion contrôlée, le tirage est régulé dès l'admission de l'air de combustion dans le poêle et non à l'évacuation.

IMPORTANT D'UN TIRAGE ADÉQUAT

Le tirage est une force déplaçant l'air de l'appareil vers la cheminée. La quantité de tirage dans votre cheminée dépend de la longueur de la cheminée, son emplacement géographique local, les obstructions à proximité et d'autres facteurs. Trop de tirage peut causer des températures excessives dans l'appareil et pourrait l'endommager. Un tirage inadéquat peut causer des retours de fumée dans la pièce et causer l'obstruction de la cheminée. Un tirage inadéquat causera des fuites de fumée par l'appareil dans la pièce, s'infiltrant par l'appareil, et les joints du conduit de raccordement. Un brûlage incontrôlable ou une température excessive indique un tirage excessif.

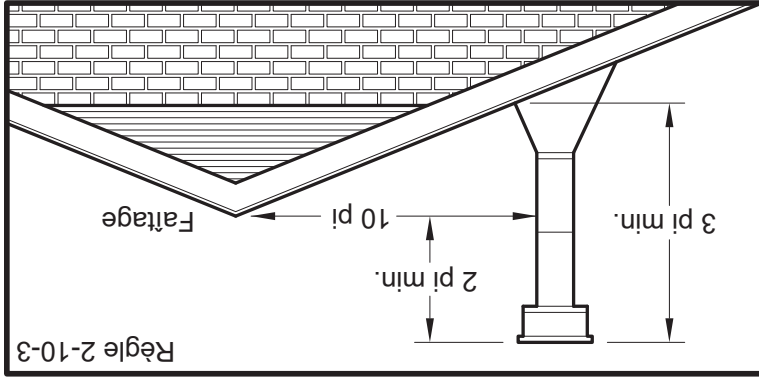


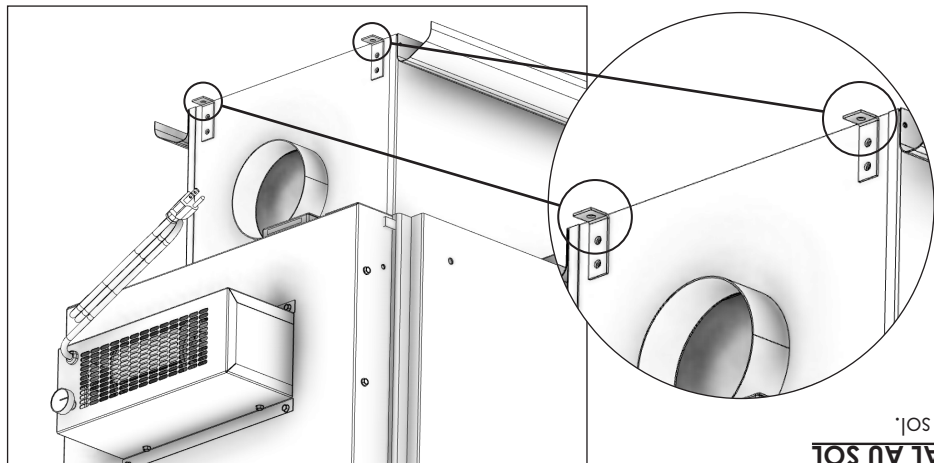
Tenez compte de l'emplacement de la cheminée pour veiller à ce qu'elle ne soit pas trop près des voisins ou dans une vallée pouvant causer des conditions malsaines ou nuisibles. Votre poêle à bois doit être raccordé avec une cheminée fabriquée en usine ou en maçonnerie de 6 po. Si vous utilisez une cheminée fabriquée en usine, elle doit répondre à la norme UL 103 et CAN/CSA-B365; par conséquent elle doit être de type HT (2100°F). Il est extrêmement important qu'elle soit installée conformément aux spécifications du fabricant. Si vous utilisez une cheminée en maçonnerie, il est important qu'elle soit construite conformément aux spécifications du Code national de construction. Elle doit être revêtu de briques en argile réfractaires, de tuiles métalliques ou en argile scellées ensemble avec un ciment réfractaire. (Les carneaux cylindriques sont les plus efficaces). Le diamètre intérieur du carneau de cheminée doit être identique à l'aspiration des fumées du poêle. Un carneau trop petit peut entraîner des problèmes de tirage, tandis qu'un grand carneau favorise un refroidissement rapide des gaz, et donc l'accumulation de crésote et le risque de feux de cheminée. Remarquez que c'est la cheminée et non le poêle qui crée l'effet de tirage; les performances de votre poêle dépendent directement du bon tirage de votre cheminée.

CHEMINÉE

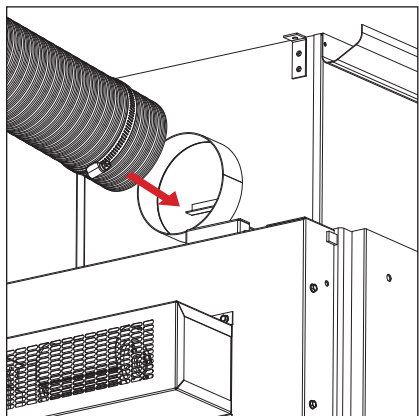
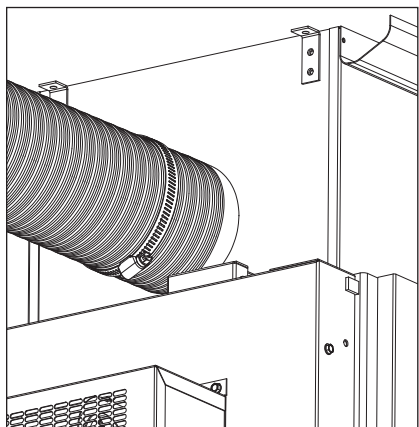
Les recommandations suivantes peuvent être utiles pour l'installation de votre cheminée:

1. Ne connectez pas cette unité à un carneau de cheminée utilisé par un autre appareil.
2. Elle doit s'élever au-dessus du toit d'au moins 3 pi (0,9 m) à partir du point le plus haut de contact.
3. La cheminée doit dépasser toute partie de la construction ou autre obstruction à moins de 10 pi (3,04 m) d'une hauteur de 2 pi (0,6 m).
4. L'installation d'une cheminée intérieure est toujours préférable à une cheminée extérieure. En effet, la cheminée intérieure, sera, par définition, plus chaude qu'une cheminée extérieure, étant donné qu'elle est chauffée par l'air ambiant de la maison. Par conséquent, le gaz qui circule se refroidira plus lentement, réduisant ainsi l'accumulation de crésote et le risque de feux de cheminée.
5. Le tirage entraîné par la tendance de l'air chaud à s'élever sera augmenté avec une cheminée intérieure.
6. L'utilisation d'un pare-feu à l'extrémité de la cheminée requiert une inspection régulière afin de garantir qu'il n'est pas obstrué, bloquant donc le tirage et devra être nettoyé lorsqu'il est utilisé régulièrement.





FIXATION DE L'APPAREIL SUR UN PIÉDESTAL AU SOL
 Utilisez les trous désignés pour fixer l'unité au sol.



L'installation doit respecter tous les codes locaux. Si, après avoir lu ces instructions, vous avez un doute sur votre capacité à terminer l'installation correctement, vous devez obtenir les services d'un entrepreneur en chauffage et de refroidissement agréé ou d'un installateur de poêle à bois certifié.

- Percez un trou de 5 pouces à travers le mur au point d'entrée souhaité. Le point d'entrée doit être au niveau ou en dessous du niveau du tuyau d'air d'admission sur le poêle à bois. Faites glisser la partie arrière du capot étanche à travers le trou. Fixez la hotte avec des attaches à chacun des quatre coins. Cette tâche doit être effectuée une fois le poêle installé et la tuyauterie d'échappement achevée. Essayez de positionner le trou pour l'entrée d'air aussi près que possible du poêle.
- Glissez les deux colliers de serrage sur le tuyau flexible en aluminium de 5 po non inclus). Faites ensuite glisser le tuyau flexible sur le tube d'admission d'air du poêle. Appliquez le premier collier de serrage sur cette extrémité du tuyau flexible en aluminium et serrez.
- Acheminez le tuyau flexible jusqu'à la «connexion murale traversante» et faites glisser le tuyau flexible sur la pièce de queue. Appliquer le deuxième collier de serrage sur la queue et serrez.

REMARQUE: les attaches ne sont pas fournies avec ce kit. Veuillez obtenir des fixations (taille 8 x 1-1 / 2 po à tête cylindrique) qui sont faites pour le type de mur extérieur de votre maison (c.-à-d. Maçonnerie, bois, etc.).

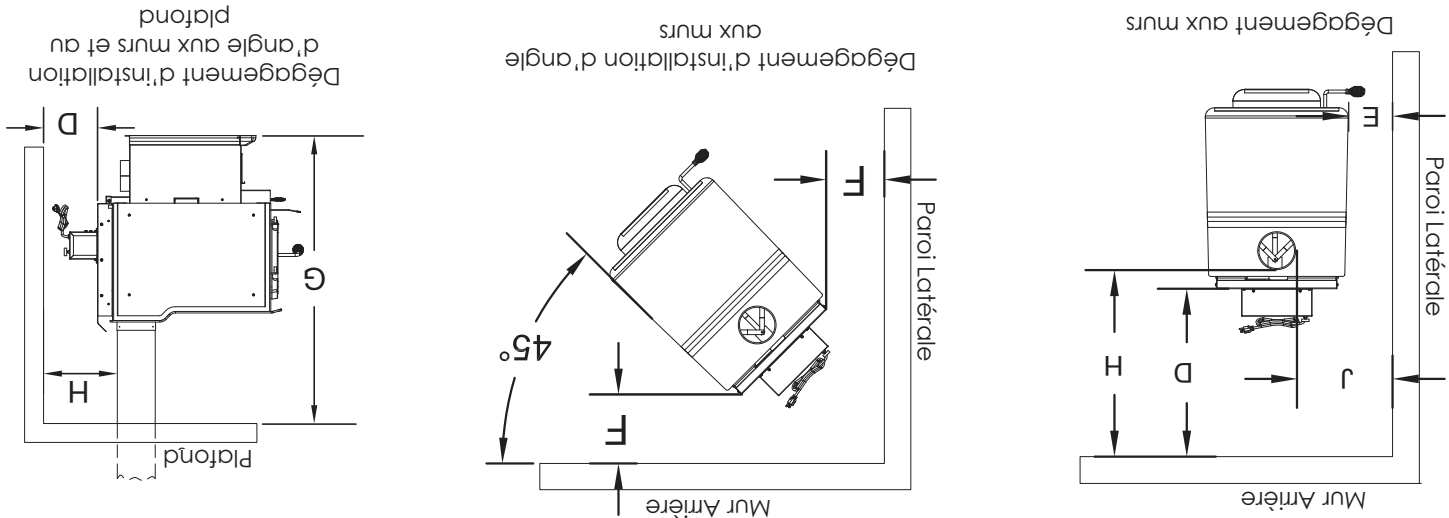
Le kit FAK-07 comprend les pièces suivantes: Capot étanche avec tuyau de raccordement de 5 po fixé et colliers de serrage.

INSTALLATION DU FAK-07

- Votre poêle ne tire pas régulièrement, il se produit de la fumée, du bois brûle mal ou des contre-courants d'air, qu'il y ait ou non de la combustion.
- Les équipements au fuel existants dans la maison, tels que les foyers ou autres appareils de chauffage, sentent, ne fonctionnent pas correctement, souffrent du dégagement de fumée à l'ouverture ou des courants d'air se produisent, qu'il y ait ou non présence de combustion.
- L'ouverture légère d'une fenêtre par une journée calme (sans vent) atténue l'un des symptômes ci-dessus.
- La maison est équipée d'un pare-vapeur bien scellé et de fenêtres hermétiques et / ou dispose de tout appareil électrique qui évacue l'air de la maison.
- Il y a une condensation excessive sur les fenêtres en hiver.
- Un système de ventilation est installé dans la maison.
- Si une entrée d'air extérieur est requise, vous pouvez acheter un kit de ventilation FAK-07 auprès de votre revendeur de poêle local et l'installer à l'arrière de l'appareil.

DÉGAGEMENTS AVEC LES MATIÈRES COMBUSTIBLES

Il est extrêmement important que les dégagements avec les matières combustibles soient strictement respectés lors de l'installation du poêle.



- Ne placez aucun matériau combustible à moins de 4 pi (1,2 m) de l'avant de l'unité.
- Le jeu entre le conduit de fumée et un mur n'est valable que pour les murs verticaux et pour le conduit de fumée vertical.
- Le raccord de cheminée ne doit pas traverser un grenier ou un toit, un placard ou un espace dissimulé similaire, un plancher ou un plafond.
- Pour les installations canadiennes, où le passage à travers un mur ou une cloison de construction combustible est souhaité, l'installation doit être conforme à la norme CAN / CSA-B365.
- Un conduit de fumée traversant un mur combustible doit avoir un dégagement minimum de 18 po (457,2 mm).
- Pour réduire les dégagements des conduits de fumée par rapport aux matériaux combustibles, contactez votre service de sécurité local.

EXIGENCES SPÉCIALES POUR LES MAISONS MOBILES (USA UNIQUEMENT)

AVERTISSEMENT! - Ne pas installer dans une chambre à coucher.

MISE EN GARDE! - L'intégrité structurelle du plancher, du mur et du plafond / toit de la maison mobile doit être maintenue.

En plus des exigences d'installation précédemment détaillées, les installations de maisons mobiles doivent répondre aux exigences suivantes:

- Le chauffe-eau doit être connecté à une cheminée préfabriquée conforme à la norme CAN / UL-C-5629, norme pour les cheminées préfabriquées à 650°C.
- Le radiateur doit être fixé en permanence au sol. Il y a deux trous dans la base du piedestal, utilisez des boulons de 3/8 po à travers le plancher.
- Le radiateur doit être électriquement mis à la terre sur le châssis en acier de la maison mobile avec du fil de cuivre 8 GA en utilisant une rondelle dentelée ou en étoile pour pénétrer la peinture ou le revêtement protecteur pour assurer la mise à la terre.
- Lors du déplacement de votre maison mobile, toute ventilation extérieure doit être retirée pendant le déplacement de la maison mobile. Après la relocalisation, toute ventilation doit être réinstallée et solidement fixée.
- L'air extérieur est obligatoire pour l'installation dans une maison mobile. Consultez votre revendeur pour l'achat.
- Vérifiez auprès des responsables locaux de la construction car d'autres codes peuvent s'appliquer.
- Utilisez uniquement les composants spécifiés répertoriés dans ce manuel pour cet appareil. L'utilisation de composants qui ne sont pas destinés à cet appareil peut entraîner des conditions dangereuses.

INSTRUCTIONS D'ASSEMBLAGE DE L'AIR DE COMBUSTION (INSTALLATIONS DE MAISONS MOBILES - REQUIS)

Cet appareil nécessite une source d'air de combustion. Si votre maison est de construction étanche ou a des problèmes de pression négative, vous aurez besoin d'une source d'air extérieure. Vous trouverez ci-dessous une liste d'indicateurs possibles indiquant qu'une source d'air extérieur de combustion peut être requise.

Installation

AVIS DE SÉCURITÉ:

- L'INSTALLATION INCORRECTE DE CE POÊLE POURRAIT ENTRAÎNER L'INCENDIE DU DOMICILE. AFIN DE RÉDUIRE LE RISQUE D'INCENDIE, RESPECTEZ LES INSTRUCTIONS D'INSTALLATION. NE PAS RESPECTER LES INSTRUCTIONS PEUT ENTRAÎNER DES DOMMAGES MATÉRIELS, DES BLESSURES PERSONNELLES VOIRE LA MORT !
- CONSULTEZ LES FONCTIONNAIRES MUNICIPAUX DE CONSTRUCTION OU DE LUTTE CONTRE LES INCENDIES AFIN DE CONNAÎTRE LES LIMITATIONS ET LES EXIGENCES D'INSTALLATION DE VOTRE RÉGION.
- UTILISEZ DES DÉTECTEURS DE FUMÉE DANS LA PIÈCE DANS LAQUELLE LE POÊLE EST INSTALLÉ.
- MAINTENEZ LE MOBILIER ET LES RIDEAUX ÉLOIGNÉS DU POÊLE.
- N'UTILISEZ PAS D'ESSENCE, DE COMBUSTIBLE POUR LANTERNE À ESSENCE, DE KÉROSÈNE, DE LIQUIDE D'ALLUMAGE DE CHARBON OU DE LIQUIDES SIMILAIRES POUR DÉMARRER OU « RAVIVER » UN FEU DANS CE POÊLE. MAINTENEZ TOUS CES LIQUIDES ÉLOIGNÉS DU POÊLE.
- EN CAS D'INCENDIE DE CHEMINÉE, FERMEZ COMPLÈTEMENT LA COMMANDE D'AIR AFIN DE PRIVER LE FEU D'OXYGÈNE. APPELEZ LES POMPIERS.
- NE CONNECTEZ PAS LE POÊLE À UN CONDUIT OU CIRCUIT DE DISTRIBUTION D'AIR.
- UNE SOURCE D'AIR FRAIS DANS LA PIÈCE OU L'ESPACE CHAUFFÉ DEVRA ÊTRE FOURNIE SI NÉCESSAIRE.

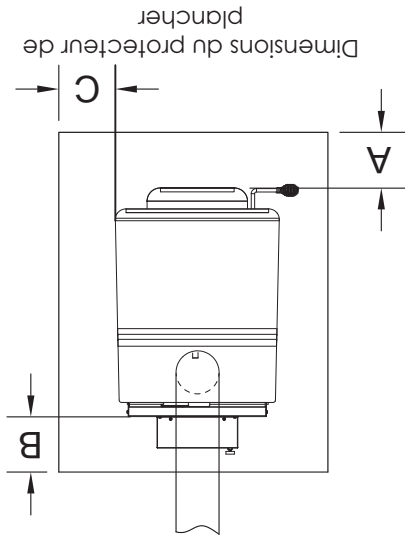
POSITIONNER LE POÊLE

Il est très important de positionner le poêle à bois aussi près que possible de la cheminée, et dans une zone qui favorisera la distribution de chaleur la plus efficace possible au sein du domicile. Le poêle doit par conséquent être installé dans la pièce où vous passerez le plus de temps, et dans la pièce la plus spacieuse possible. Rappelez-vous que les poêles à bois produisent une chaleur rayonnante, la chaleur que nous sentons lorsque nous sommes à proximité d'un poêle à bois. Un poêle à bois fonctionne aussi par convection, grâce au déplacement de l'air chaud accéléré vers le haut et son remplacement par de l'air plus frais. Si nécessaire, la distribution d'air chaud à partir du poêle peut être facilitée par l'installation d'une soufflante. Le poêle à bois ne doit pas être raccordé à un système de distribution d'air chaud car une accumulation excessive de chaleur pourrait avoir lieu. Un poêle à bois ne doit jamais être installé dans un couloir ou près d'un escalier, car cela pourrait bloquer le passage en cas d'incendie ou ne pas respecter les dégagements requis.

PROTECTEUR DE SOL

Cet appareil de chauffage doit avoir un protecteur de sol incombustible avec une valeur R d'au moins 1,2 installée en dessous de celui-ci si le sol est construit en matériau combustible. Si un tampon de sol est utilisé, il doit être réperforé UL ou équivalent. Le protecteur de sol doit être suffisamment grand pour s'étendre sous le poêle et au-delà de chaque côté, comme indiqué, si il y a un conduit de cheminée horizontal, il doit y avoir une protection du plancher dessous qui s'étend de deux pouces au-delà

Clé	Dimension	po	mm
A	Avant	18	458
B	Arrière	8	204
C	Côtés	8	204



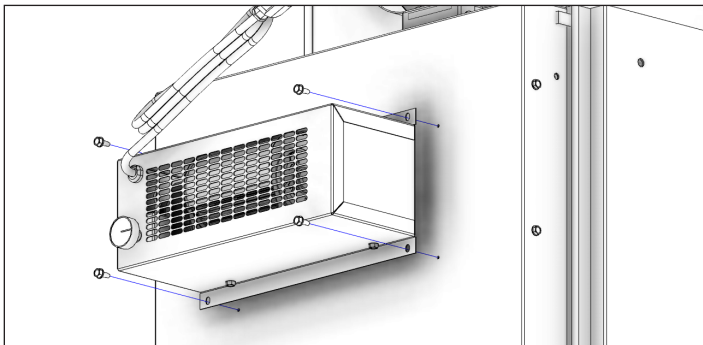
Assemblée

DÉBALLER ET INSPECTER

Retirez l'emballage de l'appareil et vérifiez qu'il n'est pas endommagé. Votre appareil est emballé avec le ressort de poignée de porte non installé. Assurez-vous que les briques sont correctement positionnées et non cassées (voir l'illustration pour la disposition appropriée des briques). Assurez-vous que la chicane, au-dessus des tubes à air, est en place et en bon état. (NE PAS ENLEVER).

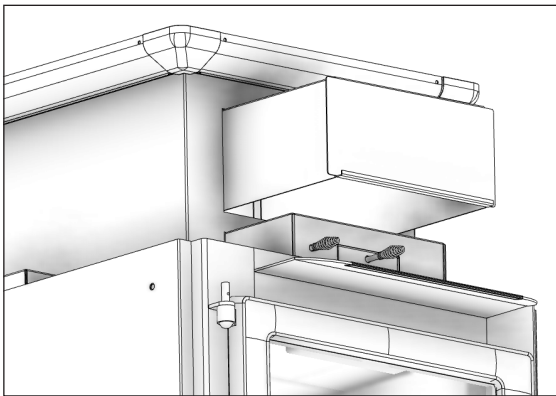
ENSEMBLE DE VENTILATEUR

L'ensemble ventilateur doit être déconnecté de la source d'alimentation électrique avant de tenter l'installation. L'ensemble souffleur est destiné à être utilisé uniquement avec un poêle qui est marqué pour indiquer une telle utilisation. Ne faites pas passer le cordon d'alimentation à proximité ou sur des surfaces chaudes! Fixez l'ensemble à l'arrière du poêle avec les quatre vis fournies.



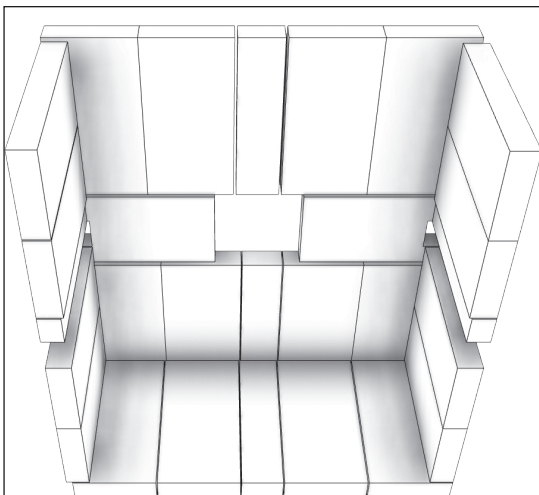
CENDRIER

Le cendrier est situé sous le foyer.



CONFIGURATION DE BRIQUES RÉFRACTAIRES

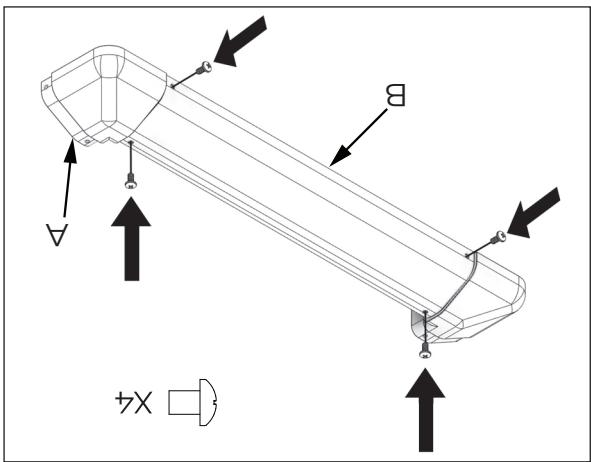
Remplacez la brique réfractaire comme indiqué sur l'illustration.



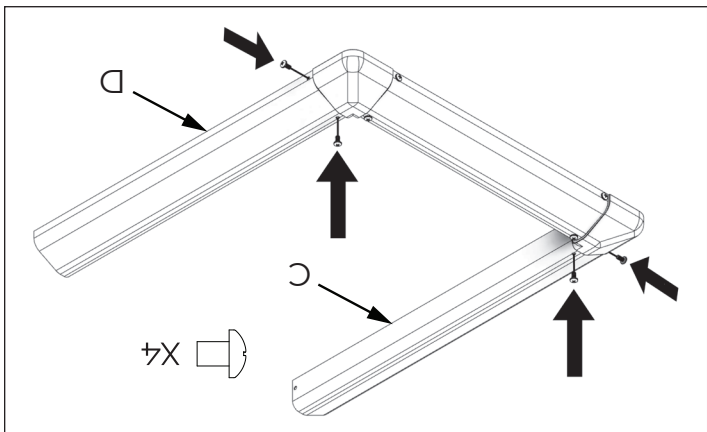
-3-

ENSEMBLE DE BASE DE PIÉDESTAL

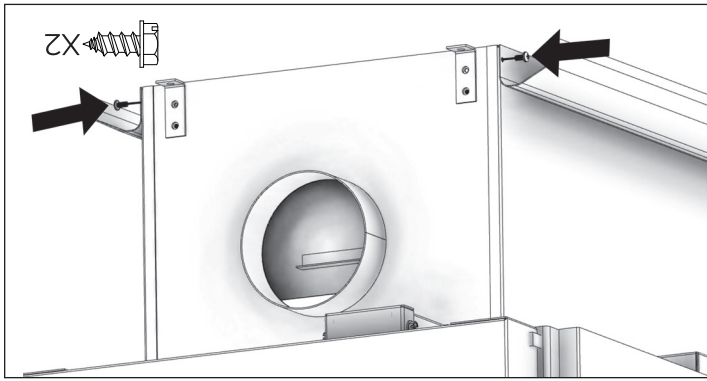
1. Assemblez la plinthe de la base du socle. Fixez deux pièces d'angle (A) à la section centrale (B) de la plinthe et fixez-les avec quatre (4) vis à tête bombée.



2. Fixez les plinthes latérales (C et D) aux pièces d'angle et fixez-les avec quatre (4) vis à tête bombée.



3. Glissez l'ensemble de plinthe en U autour de la base du socle et fixez-le avec deux vis à tête cylindrique large de 1/4 po aux coins arrière.



Les instructions relatives à l'installation de votre poêle à bois sont conformes aux normes UL-1482 (R2015) et UL-C-5627. Ce manuel décrit l'installation et le fonctionnement du poêle à bois Vogelzang, TR07E. Cet appareil de chauffage respecte les limites d'émission de bois de construction de 2020 de la US Environmental Protection Agency pour les appareils de chauffage au bois vendus après le 15 mai 2020. Dans des conditions de test spécifiques, il a été démontré que cet appareil de chauffage fournit de la chaleur à des taux allant de 19 778 à 67 992 Btu / h avec 1,3 g / h et 71% d'efficacité. Remarque: Les cotes BTU mentionnées ci-dessus sont basées sur le protocole de test EPA dans des conditions de test spécifiques. Nos BTU annoncés sont basés sur la première heure de fonctionnement à un taux de combustion élevé brûlant du bois de corde.

Combustible:	Bois	
Couleurs:	Noir métallique	
Diamètre du tuyau de carneau:	6 po (153 mm)	
Type du tuyau de carneau: (Paroi unique ou paroi double standard):	Acier noir ou bronze 2100°F (650°C)	
Hauteur minimale de la cheminée:	12 pi (3,7 m)	
Longueur maximale des bûches:	18 po (458 mm)	
Électrique:	120VAC, 0,55A, 60HZ	
Dimensions		
	Profondeur	Largeur
Général: Profondeur x Largeur x Hauteur:	39 po (995 mm)	24 po (612 mm)
		32-1/2 po (826 mm)
Chambre de combustion: Largeur x Profondeur:	18-5/16 po X 22-1/4 po (466 mm X 565 mm)	
Ouverture de la porte: Largeur x Hauteur:	14-3/4 po 9-7/16 po (375 mm X 241 mm)	
Porte en verre pyrocéramique: (Visualisation) Largeur x Hauteur:	14-9/16 po X 9-5/16 po (369 mm X 237 mm)	

AVERTISSEMENTS:

- CHAUD DURANT LE FONCTIONNEMENT. MAINTENEZ LES ENFANTS, LES VÊTEMENTS ET LE MOBILIER ÉLOIGNÉS. TOUT CONTACT PEUT ENTRÂÎNER DES BRÛLURES.
- N'UTILISEZ PAS DE PRODUITS CHIMIQUES NI DE FLUIDES POUR DÉMARRER LE FEU.
- NE LAISSEZ PAS LE POÊLE SANS SURVEILLANCE LORSQUE LA PORTE EST LÉGÈREMENT OUVERTE.
- NE BRÛLEZ PAS DE DÉCHETS NI DE FLUIDES INFLAMMABLES TELS QUE L'ESSENCE, LE NAPHTHA OU L'HUILE POUR MOTEUR.
- NE CONNECTEZ PAS LE POÊLE À UN CONDUIT OU CIRCUIT DE DISTRIBUTION D'AIR.
- FERMEZ TOUJOURS LA PORTE APRÈS L'ALLUMAGE.

Remarque: Enregistrez votre produit en ligne sur www.usstove.com. Conservez votre reçu avec vos dossiers pour toute réclamation.

VOGELZANG

MODÈLE: TR007

Conservez ces instructions ce manuel vous aidera à obtenir un fonctionnement du poêle efficace et fiable et vous permettra de commander correctement toute pièce détachée. Gardez-le dans un lieu sûr pour toute consultation ultérieure.

ATTENTION! Lisez attentivement toutes les instructions avant de commencer l'installation ou de faire fonctionner ce poêle. Une installation incorrecte peut annuler votre garantie!

AVIS DE SÉCURITÉ: L'installation incorrecte de ce poêle pourrait entraîner l'incendie du domicile. Pour votre sécurité, respectez les instructions d'installation. N'employez jamais les compromis expédiés pendant l'installation de ce réchauffeur. Contactez les fonctionnaires locaux de construction ou de lutte contre les incendies afin de connaître les limitations et les exigences d'installation de votre région.

AVERTISSEMENT CONCERNANT LA PROPOSITION 65 DE L'ÉTAT DE LA CALIFORNIE : Ce produit peut vous exposer à des agents chimiques, y compris au monoxyde de carbone, lesquels sont reconnus dans l'État de la Californie comme causant le cancer et des malformations congénitales ou autres dommages au fœtus. Pour obtenir plus de renseignements, veuillez consulter le site www.P65warnings.ca.gov

Ce manuel peut être modifié sans préavis.

TOUTES LES PHOTOS MONTRÉES SONT UNIQUEMENT À DES FINS ILLUSTRATIVES. LE PRODUIT RÉEL PEUT VARIER EN RAISON DE L'AMÉLIORATION DU PRODUIT.

U.S. Environmental Protection Agency
Certifié pour se conformer aux normes d'émissions de particules de 2020.

Numéro du rapport: F20-586
Testé selon les méthodes EPA ALT-125, ASTM E2515, ASTM E3053 et CSA B415
Certifié UL 1482-2011 (R2015) et UL-C-5627-00 (R2016)



United States Stove Company
227 Industrial Park Rd.,
South Pittsburg, TN 37380
PH: (800) 750-2723
www.usstove.com



Owner's Instruction and Operation Manual



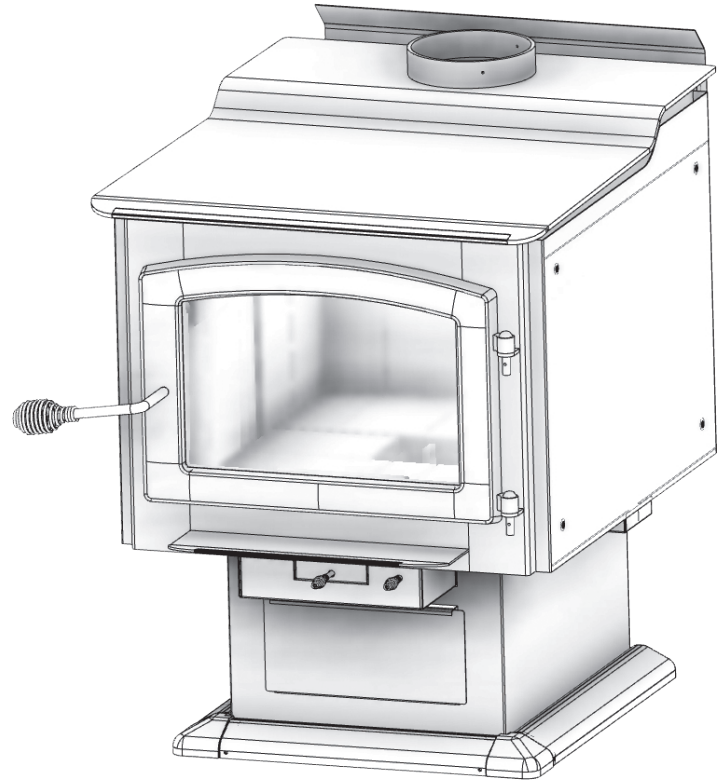
Model Number:

US3200E



Report Number: F20-586

Tested Per EPA Methods ALT-125, ASTM E2515, ASTM E3053 and CSA B415
Certified to UL 1482-2011 (R2015) and ULC-S627-00-REV1
Approved for mobile home installation in (USA ONLY)



* All Pictures In This Manual Are For Illustrative Purposes Only. Actual Product May Vary.

853742E-3703K

Save These Instructions In A Safe Place For Future Reference.



SAFETY NOTICE: If this heater is not properly installed, a house fire may result. For your safety, follow the installation instructions. Never use make-shift compromises during the installation of this heater. Contact local building or fire officials about permits, restrictions and installation requirements in your area. **NEVER OPERATE THIS PRODUCT WHILE UNATTENDED.**



CAUTION! Please read this entire manual before you install or use your new room heater. Failure to follow instructions may result in property damage, bodily injury, or even death. Improper Installation Will Void Your Warranty!

U.S. Environmental Protection Agency

Certified to comply with 2020 particulate emissions standards.



CALIFORNIA PROPOSITION 65 WARNING:

This product can expose you to chemicals including carbon monoxide, which is known to the State of California to cause cancer, birth defects, and/or other reproductive harm. For more information, go to www.P65warnings.ca.gov

THIS MANUAL IS SUBJECT TO CHANGE WITHOUT NOTICE.

The instructions pertaining to the installation of your wood stove comply with UL-1482 (R2015) and ULC-S627 standards. This manual describes the installation and operation of the USSC, US3200E wood heater. This heater meets the 2020 U.S. Environmental Protection Agency’s cordwood emission limits for wood heaters sold after May 15, 2020. Under specific test conditions this heater has been shown to deliver heat at rates ranging from 19,778 to 67,992 Btu/hr with 1.3 g/hr and 71% efficiency. Note: The BTU ratings mentioned above are based on the EPA test protocol under specific test conditions. Our advertised BTU’s are based on the first hour of operation at high burn rate burning cordwood.

Combustible:	Wood		
Colors:	Black		
Flue Pipe Diameter:	6" (153 mm)		
Flue Pipe Type:	Black or Blued Steel 2100°F (650°C)		
Minimum Chimney Height:	12' (3.7 m)		
Maximum Log Length:	18" (458 mm)		
Electrical:	120VAC, 0.55A, 60Hz		
Dimensions			
	DEPTH	WIDTH	HEIGHT
Overall: Depth x Width x Height:	39" (995 mm)	24" (612 mm)	32-1/2" (826 mm)
Combustion Chamber: Width x Depth:	18-5/16" X 22-1/4" (466 mm X 565 mm)		
Door Opening: Width x Height:	14-3/4" 9-7/16" (375 mm X 241 mm)		
Pyroceramic Glass Door: (Viewing) Width x Height:	14-9/16" X 9-5/16" (369 mm X 237 mm)		

CAUTIONS:

- **HOT WHILE IN OPERATION. KEEP CHILDREN, CLOTHING AND FURNITURE AWAY. CONTACT MAY CAUSE SKIN BURNS.**
- **DO NOT USE CHEMICALS OR FLUIDS TO IGNITE THE FIRE.**
- **DO NOT LEAVE THE STOVE UNATTENDED WHEN THE DOOR IS SLIGHTLY OPENED.**
- **DO NOT BURN GARBAGE, FLAMMABLE FLUID SUCH AS GASOLINE, NAPHTHA OR MOTOR OIL.**
- **DO NOT CONNECT TO ANY AIR DISTRIBUTION DUCT OR SYSTEM.**
- **ALWAYS CLOSE THE DOOR AFTER THE IGNITION.**



Note: Register your product online at www.usstove.com or download the free app today. This app is available only on the App Store for iPhone and iPad. Search US Stove. Save your receipt with your records for any claims.

For Customer Service, please call:
1-800-750-2723 Ext 5050 or;
Text to 423-301-5624 or;
Email us at:
customerservice@usstove.com

INSTALLATION CHECKLIST



Your Wood Stove should be installed by a qualified installer only. An NFI qualified Installer can be found at www.nficertified.org/public/find-an-nfi-pro/

CUSTOMER SERVICE

1-800-750-2723 ext 5050
Text to 423-301-5624
Email to: Customerservice@usstove.com

COMMISSIONING CHECKLIST

This checklist is to be completed in full by the qualified person who installs this unit. Keep this page for future reference. Failure to install and commission according to the manufacturer's instructions and complete this checklist will invalidate the warranty.

Please Print

Customer Name:	Telephone Number:
Address:	
Model:	
Serial Number:	
Installation Company Name:	Phone Number:
Installation Technician's Name:	License Number:

DESCRIPTION OF WORK

Location of installed appliance: _____

Chimney System: New Chimney System Yes No If yes, Brand _____

If no, Date of inspection of the existing chimney system: _____

COMMISSIONING

- Confirm Hearth Pad Installation as per Installation Instructions.....
- Confirm proper placement of internal parts.....
- Check soundness of door gasket and door seals
- Confirm clearances to combustibles as per installation instructions in this manual
- Check the operations of the air controls.....
- Confirm all flue pipe and chimney system are secure and sealed.....
- Confirm the stove properly drafts when fired.....
- Check to ensure a CO alarm is installed as per local building codes and is functional
- Explain the safe operation, proper fuel usage, cleaning and routine maintenance requirements.....

Declaration of Completion: As the qualified person responsible for the work described above, I confirm that the appliance as associated work has been installed as per manufacturer's instructions and following any applicable building and installation codes.

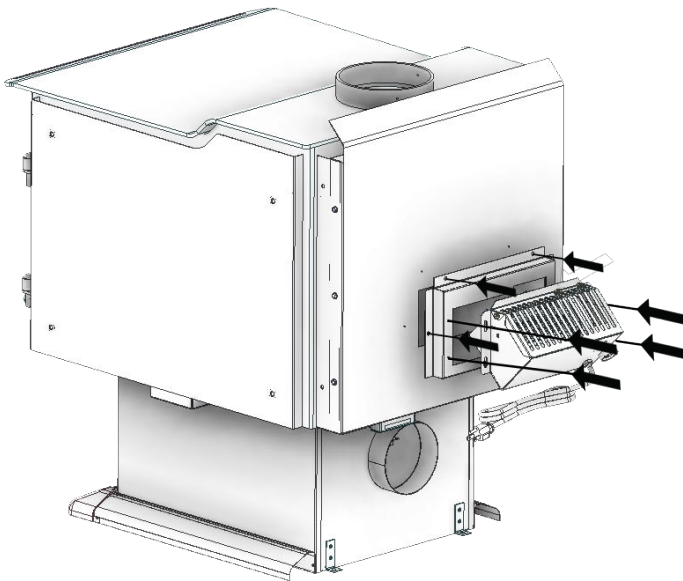
Signed: _____ Print Name: _____ Date: _____

Home Owner: RETAIN THIS INFORMATION FOR FUTURE REFERENCE

FOR CUSTOMER SERVICE CALL: 800-750-2723 EXT 5050

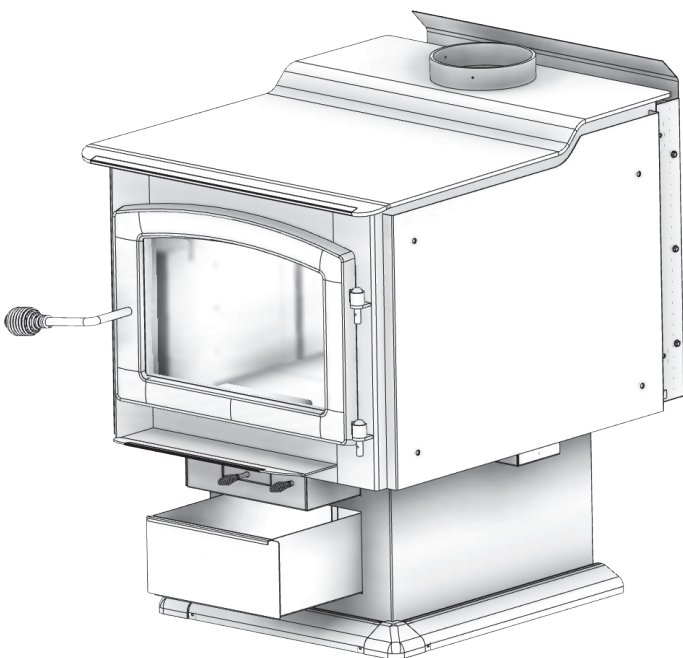
BLOWER ASSEMBLY

The blower assembly must be disconnected from the source of electrical supply before attempting the installation. The blower assembly is intended for use only with a stove that is marked to indicate such use. Do not route the supply cord near or across hot surfaces! Fix the assembly to the back of the stove with the eight screws provided. **NOTE: This bracket is included and is required for installation of the blower assembly.**



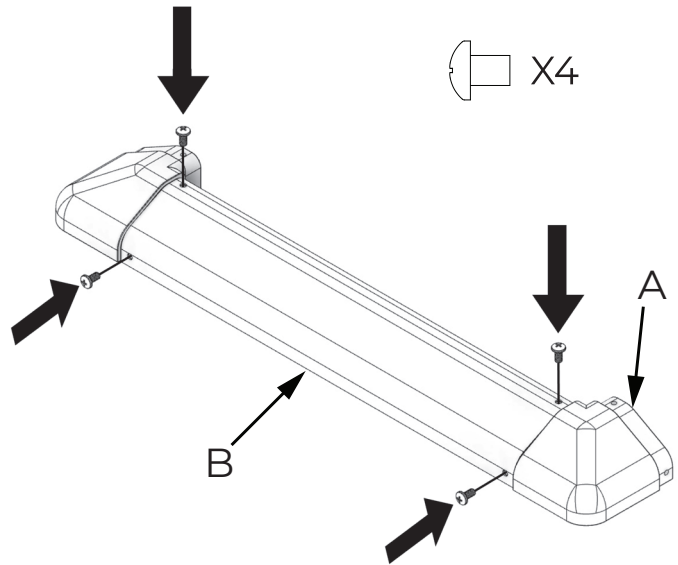
ASH PAN

The ash pan is located below the firebox.

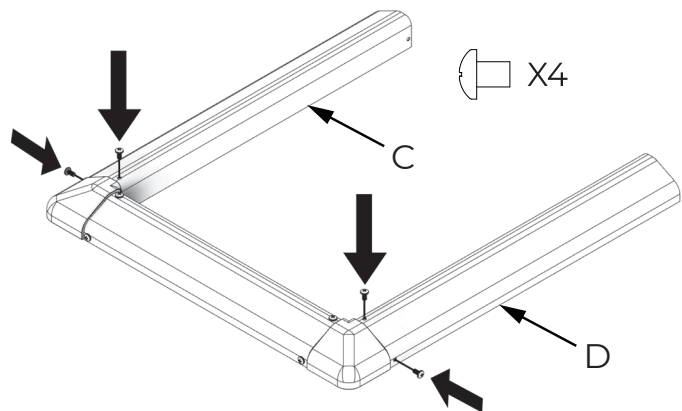


PEDESTAL BASE ASSEMBLY

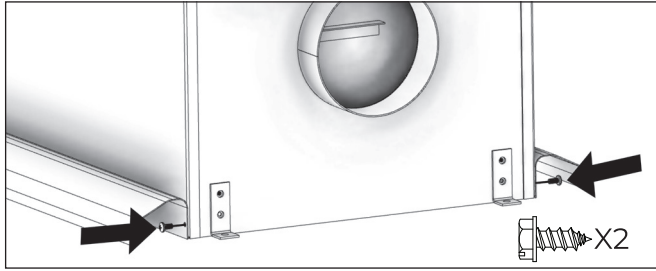
1. Assemble the pedestal base skirting. Attach two corner pieces (A) to the center section (B) of skirting and secure with four (4) truss head screws.



2. Attach the side skirting sections (C & D) to the corner pieces and secure with four (4) truss head screws.

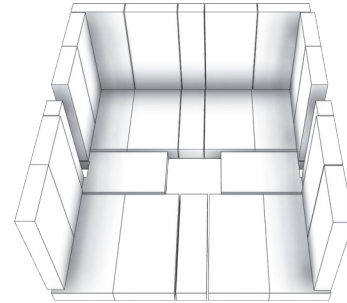


3. Slide the U-shaped skirting assembly around the pedestal base and secure with two 1/4" long pan head sheet metal screws at the rear corners.



FIREBRICK CONFIGURATION

Replace the Firebrick as shown in the illustration.



INSTALLATION

SAFETY NOTICE

- **IF THIS STOVE IS NOT PROPERLY INSTALLED, A HOUSE FIRE MAY RESULT. TO REDUCE THE RISK OF FIRE, FOLLOW THE INSTALLATION INSTRUCTIONS.**
- **CONSULT YOUR MUNICIPAL BUILDING DEPARTMENT OR FIRE OFFICIALS ABOUT PERMITS, RESTRICTIONS AND INSTALLATIONS REQUIREMENTS IN YOUR AREA.**
- **USE SMOKE DETECTORS IN THE ROOM WHERE YOUR STOVE IS INSTALLED.**
- **KEEP FURNITURE AND DRAPES WELL AWAY FROM THE STOVE.**
- **NEVER USE GASOLINE, GASOLINE-TYPE LANTERN FUEL, KEROSENE, CHARCOAL LIGHTER FLUID, OR SIMILAR LIQUIDS TO START OR "FRESHEN UP" A FIRE IN THIS HEATER. KEEP ALL SUCH LIQUIDS WELL AWAY FROM THE HEATER WHILE IT IS IN USE.**
- **IN THE EVENT OF A CHIMNEY FIRE, PUSH THE AIR CONTROL FULL CLOSED TO DEPRIVE THE FIRE OF OXYGEN. CALL THE FIRE DEPARTMENT.**
- **DO NOT CONNECT TO ANY AIR DISTRIBUTION DUCT OR SYSTEM.**
- **A SOURCE OF FRESH AIR INTO THE ROOM OR SPACE HEATED SHALL BE PROVIDED WHEN REQUIRED.**



We recommend that our woodburning hearth products be installed and serviced by professionals who are certified in the U.S. by the National Fireplace Institute® (NFI) as NFI Woodburning Specialists or who are certified in Canada by Wood Energy Technical Training (WETT).



US Stove highly recommends your stove be installed by a qualified NFI (US) or WETT (Canada) technician. To find the nearest qualified installer, go to:

<https://nficertified.org>,

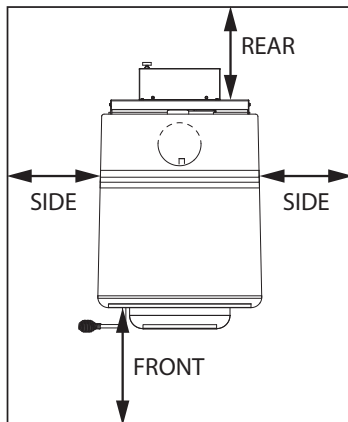
<https://www.wettinc.ca/>

POSITIONING THE STOVE

It is very important to position the wood stove as close as possible to the chimney, and in an area that will favor the most efficient heat distribution possible throughout the house. The stove must therefore be installed in the room where the most time is spent, and in the most spacious room possible. Recall that wood stoves produce radiating heat, the heat we feel when we are close to a wood stove. A wood stove also functions by convection, that is through the displacement of hot air accelerated upwards and its replacement with cooler air. If necessary, the hot air distribution from the stove may be facilitated by the installation of a blower. The wood stove must not be hooked up to a hot air distribution system since an excessive accumulation of heat may occur. A wood stove must never be installed in a hallway or near a staircase, since it may block the way in case of fire or fail to respect required clearances.

FLOOR PROTECTOR

This heater must have a non-combustible floor protector with an R-Value of at least 1.2 installed beneath it if the floor is constructed of combustible material. If a floor pad is used, it should be UL listed or equal. The floor protector should be large enough to extend under the stove and beyond each side as indicated. If there is a horizontal run of flue pipe, there needs to be floor protection under it that extends two inches beyond either side of the pipe.

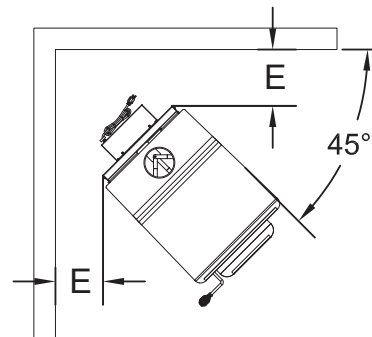
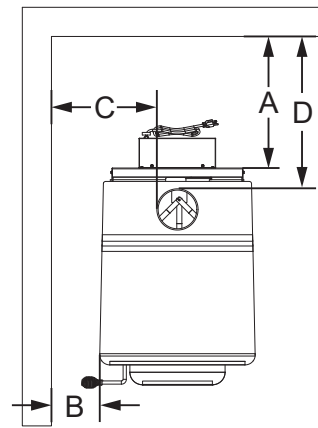


Front	18"	458 mm
Back	8"	204 mm
Sides	8"	204 mm

CLEARANCES TO COMBUSTIBLES

It is of utmost importance that the clearances to combustible materials be strictly adhered to during installation of the stove.

- Do not place any combustible material within 4' (1.2m) of the front of the unit.
- Floor to ceiling height must be at least 7' (2.13m) in all cases.
- The clearance between the flue pipe and a wall are valid only for vertical walls and for vertical flue pipe.
- The chimney connector must not pass through an attic or roof space, closet or similar concealed space, a floor, or a ceiling.
- For Canadian installations, where passage through a wall, or partition of combustible construction is desired, the installation must conform to CAN/CSA-B365.
- A flue pipe crossing a combustible wall must have a minimum clearance of 18" (458 mm).
- To reduce flue clearances from combustible materials, contact your local safety department.



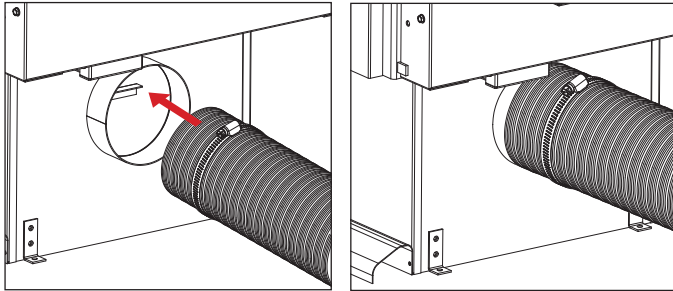
A	Backwall to Stove	17"	432 mm
B	Sidewall to Stove	26"	661 mm
C	Sidewall to Flue	35"	889 mm
D	Backwall to Flue	19"	483 mm
E	Wall to corner (Angled Installation)	18"	458 mm

OUTSIDE COMBUSTION AIR

Your wood stove is approved to be installed with an outside air intake (4FAK) which is necessary for a mobile home. This type of installation is also required in air tight houses and houses with negative pressure problems. You can purchase this option through your heater dealer. Make sure to specify the part number mentioned in this booklet. Installation instructions are supplied with the air intake kit. Outside combustion air may be required if

1. Your stove does not draw steadily, smoke roll-out occurs, wood burns poorly, or back-drafts occur whether or not there is combustion present.
2. Existing fuel-fired equipment in the house, such as fireplaces or other heating appliances, smell, do not operate properly, suffer smoke roll-out when opened, or back-drafts occur whether or not there is combustion present.
3. Opening a window slightly on a calm (windless) day alleviates any of the above symptoms.

4. The house is equipped with a well-sealed vapor barrier and tight fitting windows and/or has any powered devices that exhaust house air.
5. There is excessive condensation on windows in the winter.
6. A ventilation system is installed in the house.



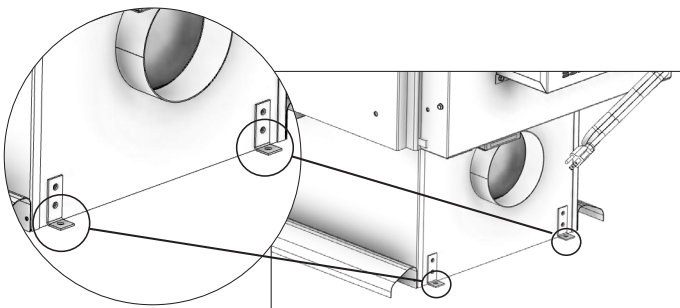
Slide the hose clamp over the aluminium flex pipe. Then slide the flex pipe over the air intake tube of the stove. Next tighten the hose clamp over the end of the aluminium flex hose.

FOR USE IN MOBILE HOMES (U.S. ONLY)

- **WARNING! DO NOT INSTALL IN SLEEPING ROOM.**
- **CAUTION! THE STRUCTURAL INTEGRITY OF THE MOBILE HOME FLOOR, WALL, AND CEILING/ROOF MUST BE MAINTAINED.**
- **INSTALL IN ACCORDANCE WITH 24 CFR, PART 3280 (HUD).**
- **USE A FACTORY BUILT CHIMNEY THAT COMPLIES WITH UL 103 STANDARDS; THEREFORE IT MUST BE A TYPE HT (2100°F).**
- **USE A SPARK ARRESTER.**
- **THE STOVE MUST BE ATTACHED TO THE STRUCTURE OF THE MOBILE HOME.**

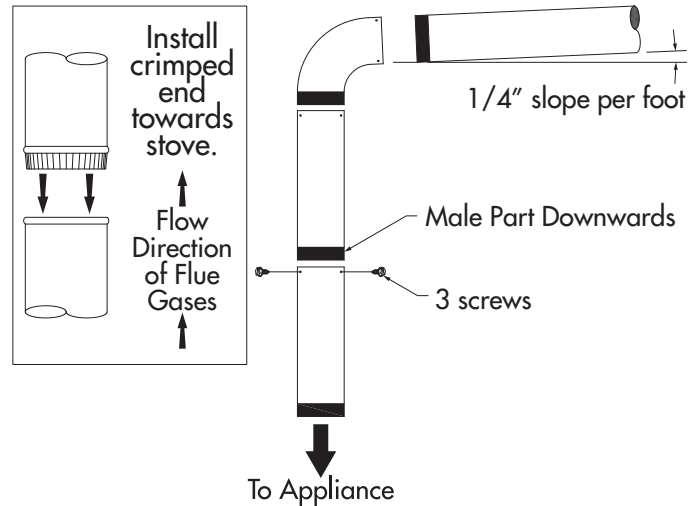
SECURE APPLIANCE TO THE FLOOR

Use the designated holes to secure the unit to the floor.



In addition to the previously detailed installation requirements, the heater must be electrically grounded to the steel chassis of the mobile home with 8 GA copper wire using a serrated or star washer to penetrate paint or protective coating to ensure grounding.

CHIMNEY CONNECTOR (STOVE PIPE)

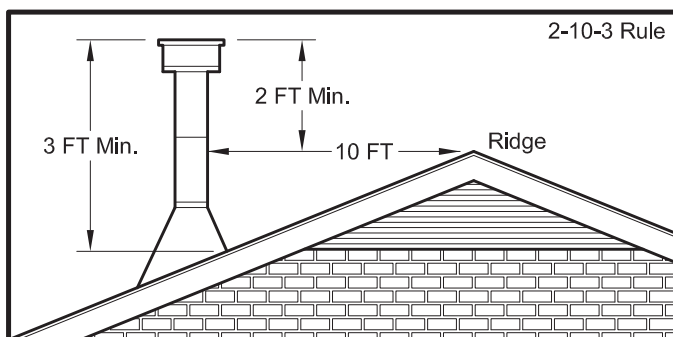


The chimney connector and chimney must have the same diameter as the stove outlet (6"). If this is not the case, we recommend you contact your dealer to ensure there will be no problem with the draft. The stovepipe must be made of aluminized or cold roll steel and have a minimum thickness of 0.021" or 0.53 mm. It is strictly forbidden to use galvanized steel. The smoke pipe should be assembled to promote the male section (crimped end) of the pipe to be faced down. Attach each section to another with three metal screws spaced an equal distance apart. The pipe must be short and straight. All sections installed horizontally must slope at least 1/4 inch per foot, with the upper end of the section toward the chimney. Any installation with a horizontal run of chimney pipe must conform to NFPA 211. To ensure a good draft, the total length of the coupling pipe should never exceed 8' to 10' (2.4m to 3.04m). Except for cases of vertical installation, in a cathedral-roof style where the smoke exhaust system can be much longer and connected without problem to the chimney at the ceiling of the room. There should never be more than two 90 degrees elbows in the smoke exhaust system. The installation of a "barometric draft stabilizer" (fireplace register) on a smoke exhaust system is prohibited. Furthermore, the installation of a draft damper is not recommended. With a controlled combustion wood stove, the draft is regulated upon intake of the combustion air in the stove and not at the exhaust.

IMPORTANCE OF PROPER DRAFT

Draft is a force that moves air from the appliance up through the chimney. The amount of draft in your chimney depends on the length of the chimney, local geography, nearby obstructions and other factors. Too much draft may cause excessive temperatures in the appliance. An inadequate draft may cause back-puffing into the room and “plugging” of the chimney. An inadequate draft will cause the appliance to leak smoke into the room through appliance and chimney connector joints. An uncontrollable burn or excessive temperature indicates an excessive draft.

CHIMNEY

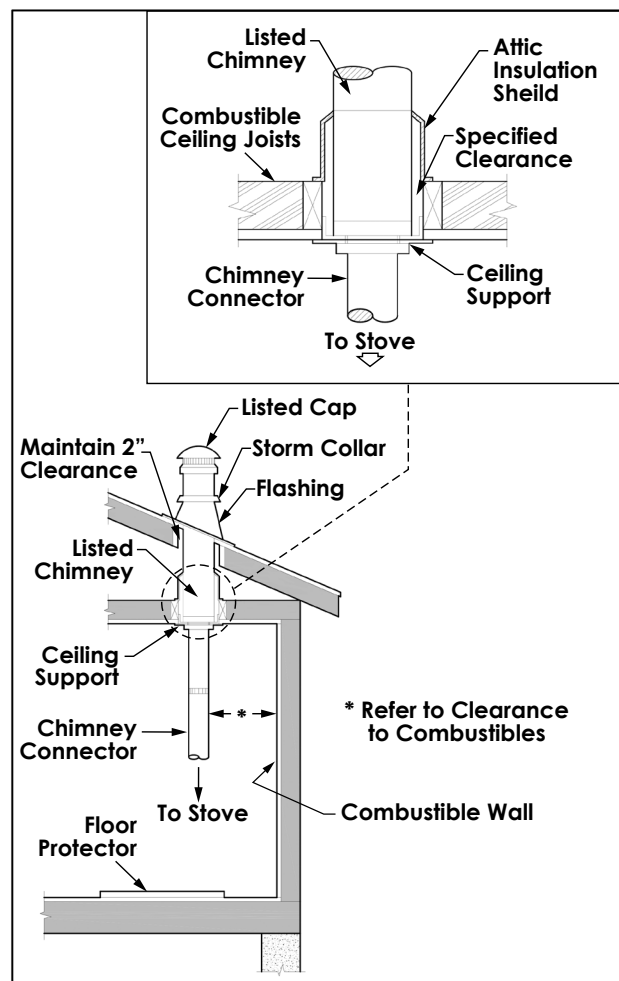


Your wood stove may be hooked up with a 6” factory-built or masonry chimney. If you are using a factory-built chimney, it must comply with UL 103 or CSA-B365 standard; therefore it must be a Type HT (2100°F). It must be installed according to the manufacturer’s specifications. Take into account the chimney’s location to ensure it is not too close to neighbors or in a valley which may cause unhealthy or nuisance conditions. If you are using a masonry chimney, it must be built in compliance with the specifications of the National Building Code. It must be lined with fire clay bricks, metal or clay tiles sealed together with fire cement. Round flues are the most efficient. The interior diameter of the chimney flue must be identical to the stove smoke exhaust. A flue which is too small may cause draft problems, while a large flue favors rapid cooling of the gas, and hence the build-up of creosote and the risk of chimney fires. Note that it is the chimney and not the stove which creates the draft effect; your stove’s performance is directly dependent on an adequate draft from your chimney. **Do not connect this unit to a chimney flue serving another appliance.** The following recommendations may be useful for the installation of your chimney:

1. It must rise above the roof at least 3’ (0.9m) from the uppermost point of contact.

2. The chimney must exceed any part of the building or other obstruction within a 10’ (3.04m) distance by a height of 2’ (0.6m).
3. The installation of an interior chimney is always preferable to an exterior chimney. Indeed, the interior chimney will, by definition, be hotter than an exterior chimney, being heated up by the ambient air in the house. Therefore the gas which circulates will cool more slowly, thus reducing the build-up of creosote and the risk of chimney fires.
4. The draft caused by the tendency for hot air to rise will be increased with an interior chimney.
5. Using a fire screen at the extremity of the chimney requires regular inspection to ensure that it is not obstructed thus blocking the draft, and it should be cleaned when used regularly.

FACTORY BUILT CHIMNEY

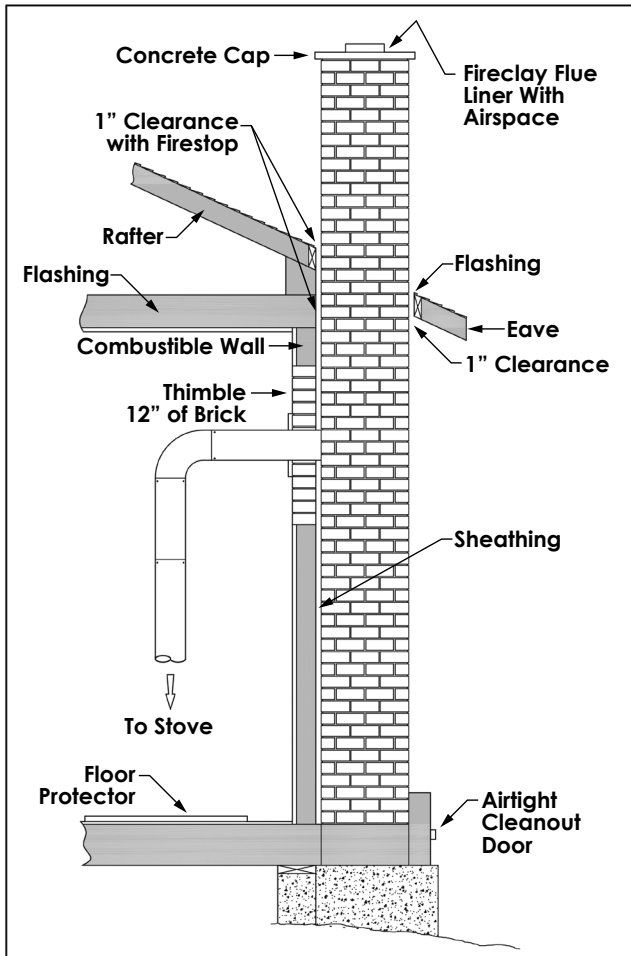


When a metal prefabricated chimney is used, the manufacturer’s installation instructions must be

followed. You must also purchase (from the same manufacturer) and install the ceiling support package or wall pass-through and “T” section package, firestops (where needed), insulation shield, roof flashing, chimney cap, etc. Maintain proper clearance to the structure as recommended by the manufacturer. The chimney must be the required height above the roof or other obstructions for safety and proper draft operation.

MASONRY CHIMNEY

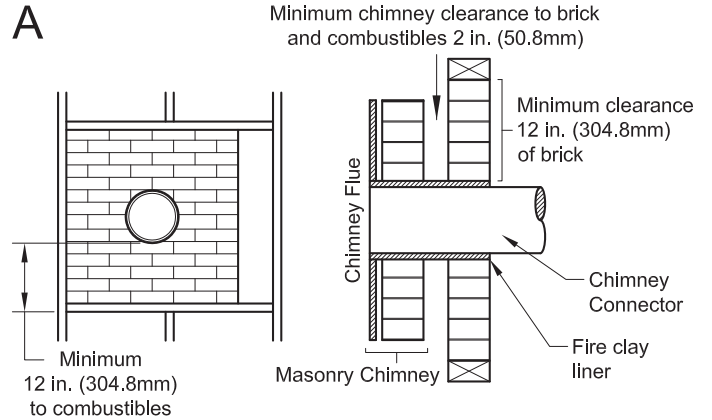
Ensure that a masonry chimney meets the minimum standards of the National Fire Protection Association (NFPA) by having it inspected by a professional. Make sure there are no cracks, loose mortar or other signs of deterioration and blockage. Be sure to the chimney cleaned before the stove is installed and operated. When connecting the stove through a combustible wall to a masonry chimney, special methods are needed.



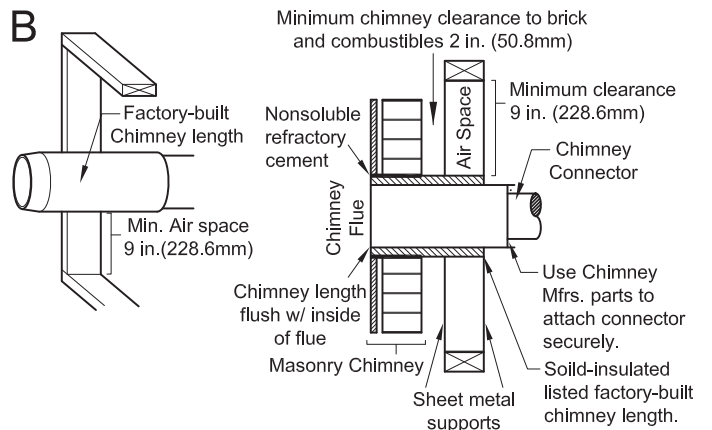
COMBUSTIBLE WALL CHIMNEY CONNECTOR PASS-THROUGHS

METHOD A - 12” (305 mm) Clearance to Combustible Wall Member: Using a minimum thickness 3.5” (89 mm)

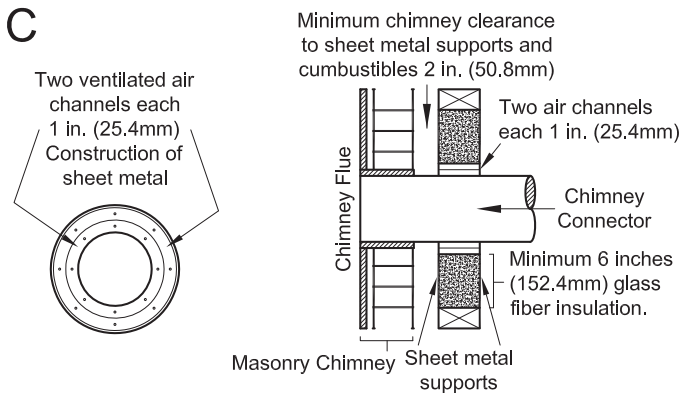
brick and a 5/8” (16 mm) minimum wall thickness clay liner, construct a wall pass-through. The clay liner must conform to ASTM C315 (Standard Specification for Clay Fire Linings) or its equivalent. Keep a minimum of 12” (305 mm) of brick masonry between the clay liner and wall combustibles. The clay liner shall run from the brick masonry outer surface to the inner surface of the chimney flue liner but not past the inner surface. Firmly grout or cement the clay liner in place to the chimney flue liner.



METHOD B - 9” (229 mm) Clearance to Combustible Wall Member: Using a 6” (153 mm) inside diameter, listed, factory-built Solid-Pak chimney section with insulation of 1” (26 mm) or more, build a wall pass-through with a minimum 9” (229 mm) air space between the outer wall of the chimney length and wall combustibles. Use sheet metal supports fastened securely to wall surfaces on all sides, to maintain the 9” (229 mm) air space. When fastening supports to chimney length, do not penetrate the chimney liner (the inside wall of the Solid-Pak chimney). The inner end of the Solid-Pak chimney section shall be flush with the inside of the masonry chimney flue, and sealed with a non-water soluble refractory cement. Use this cement to also seal to the brick masonry penetration.

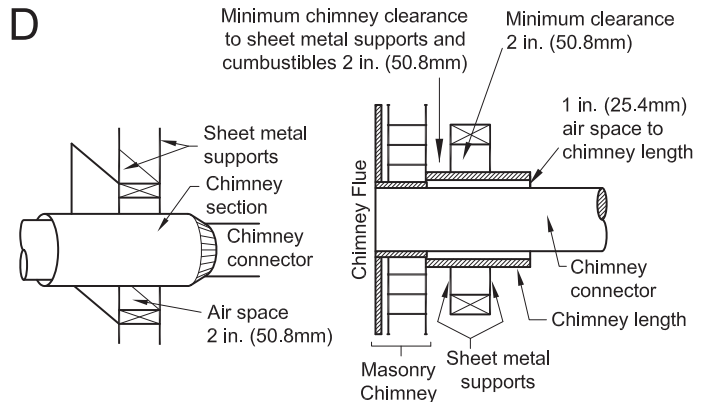


METHOD C - 6" (153 mm) Clearance to Combustible Wall Member: Starting with a minimum 24 gage (.024" [.61 mm]) 6" (153 mm) metal chimney connector, and a minimum 24 gage ventilated wall thimble which has two air channels of 1" (26 mm) each, construct a wall pass-through. There shall be a minimum 6" (153 mm) separation area containing fiberglass insulation, from the outer surface of the wall thimble to wall combustibles. Support the wall thimble, and cover its opening with a 24-gage minimum sheet metal support. Maintain the 6" (153 mm) space. There should also be a support sized to fit and hold the metal chimney connector. See that the supports are fastened securely to wall surfaces on all sides. Make sure fasteners used to secure the metal chimney connector do not penetrate chimney flue liner.



METHOD D - 2" (51 mm) Clearance to Combustible Wall Member: Start with a solid-pak listed factory built chimney section at least 12" (304 mm) long, with insulation of 1" (25.4 mm) or more, and an inside diameter of 8" (2 inches [51 mm] larger than the 6" [153 mm]

chimney connector). Use this as a pass-through for a minimum 24-gauge single wall steel chimney connector. Keep solid-pak section concentric with and spaced 1" (26 mm) off the chimney connector by way of sheet metal support plates at both ends of chimney section. Cover opening with and support chimney section on both sides with 24 gage minimum sheet metal supports. See that the supports are fastened securely to wall surfaces on all sides. Make sure fasteners used to secure chimney flue line do not penetrate the inner liner.



NOTES:

- Connectors to a masonry chimney, excepting method B, shall extend in one continuous section through the wall pass-through system and the chimney wall, to but not past the inner flue liner face.
- A chimney connector shall not pass through an attic or roof space, closet or similar concealed space, or a floor, or ceiling.

NEVER OPERATE THIS PRODUCT WHILE UNATTENDED

OPERATING SAFETY PRECAUTIONS

- **NEVER OVERFIRE THIS APPLIANCE BY BUILDING EXCESSIVELY HOT FIRES AS A HOUSE/BUILDING FIRE MAY RESULT. YOU ARE OVERFIRING THE APPLIANCE IF IT BEGINS TO GLOW OR TURN RED.**
- **NEVER BUILD EXCESSIVELY LARGE FIRES IN THIS TYPE OF APPLIANCE AS DAMAGE TO THE FIREBOX OR SMOKE LEAKAGE MAY RESULT.**
- **DO NOT BUILD FIRE TOO CLOSE TO THE GLASS.**
- **HOT WHILE IN OPERATION. KEEP CHILDREN, CLOTHING, AND FURNITURE AWAY. CONTACT MAY CAUSE SKIN BURNS. DO NOT TOUCH THE APPLIANCE UNTIL IT HAS COOLED.**
- **PROVIDE ADEQUATE AIR FOR COMBUSTION TO THE ROOM WHERE THE APPLIANCE IS INSTALLED.**
- **INSPECT CHIMNEY LINER EVERY 60 DAYS. REPLACE LINER IMMEDIATELY IF IT IS RUSTING OR LEAKING SMOKE INTO THE ROOM.**
- **ATTEMPTS TO ACHIEVE HEAT OUTPUT RATES THAT EXCEED HEATER DESIGN SPECIFICATIONS CAN RESULT IN PERMANENT DAMAGE TO THE HEATER.**

WARNING: EXPLOSION HAZARD

- **NEVER USE CHEMICALS, GASOLINE, GASOLINE-TYPE LANTERN FUEL, KEROSENE, CHARCOAL LIGHTER FLUID, OR SIMILAR FLAMMABLE LIQUIDS TO START OR "FRESHEN UP" A FIRE IN THE APPLIANCE.**
- **KEEP ALL FLAMMABLE LIQUIDS, ESPECIALLY GASOLINE, OUT OF THE VICINITY OF THE APPLIANCE - WHETHER IN USE OR IN STORAGE.**

CAUTIONS: HOUSE FIRE HAZARDS

- **DO NOT STORE WOOD ON FLOOR PROTECTOR, UNDERNEATH STOVEPIPE(S) OR ANYWHERE WITHIN CLEARANCES TO COMBUSTIBLE SURFACES SPECIFIED FOR THIS APPLIANCE.**
- **NEVER OPERATE WITH SECONDARY TUBES, FIBERBOARD, OR INSULATION REMOVED.**

WOOD STOVE UTILIZATION

Your heating appliance was designed to burn well seasoned natural wood only; no other materials should be burned. Any type of well seasoned natural wood may be used in your stove, but specific varieties have better energy yields than others. Higher efficiencies and lower emissions generally result when burning air dried seasoned hardwoods, as compared to softwoods or too green or freshly cut hardwoods. The following resources can assist in learning the burn characteristics of various species of wood: <http://firewoodresource.com/firewood-btu-ratings/>; or <https://forestry.usu.edu/forest-products/wood-heating> The operation of this wood heater in a manner inconsistent with the owner's manual will void your warranty and is also against federal regulations. Waste and other flammable materials should not be burned in your stove. **DO NOT BURN:**

1. Garbage;
2. Lawn clippings or yard waste;
3. Materials containing rubber, including tires;
4. Materials containing plastic;
5. Waste petroleum products, paints or paint thinners, or asphalt products;
6. Materials containing asbestos;
7. Construction or demolition debris;
8. Railroad ties or pressure-treated wood;
9. Manure or animal remains;
10. Saltwater driftwood or other previously salt water-saturated materials;
11. Unseasoned wood; or
12. Paper products, cardboard, plywood, or particleboard. The prohibition against burning these materials does not prohibit the use of fire starters made from paper, cardboard, sawdust, wax, and similar substances to start a fire in an affected wood heater.

Burning these materials may result in the release of toxic fumes or render the heater ineffective and cause smoke. Deadwood lying on the forest floor should be considered wet and requires full seasoning time. Standing deadwood can usually be considered to be about 2/3 seasoned. Smaller pieces of wood will dry faster. All logs exceeding 6" in diameter should be split. The wood should not be stored directly on the ground. Air should circulate through

the logs. A 24" to 48" air space should be left between each row of logs, which should be placed in the sunniest location possible. The upper layer of wood should be protected from the element but not the sides. A good indicator of if the wood is ready to burn is to check the piece ends. If cracks are radiating in all directions from the center then the wood should be dry enough to burn. If your wood sizzles in the fire, even though the surface is dry, it may not be fully cured and should be seasoned longer. It is **EXTREMELY IMPORTANT** that you use **DRY WOOD** only in your wood stove. The wood should have dried for 9 to 15 months, such that the humidity content (in weight) is reduced below 20% of the weight of the log. It is very important to keep in mind that even if the wood has been cut for one, two, or even more years, it is not necessarily dry, if it has been stored in poor conditions. Under extreme conditions, it may rot instead of drying. This point cannot be overstressed; the vast majority of the problems related to the operation of a wood stove is caused by the fact that the wood used was too damp or had dried in poor conditions. These problems can be:

- ignition problems
- creosote build-up causing chimney fires
- low energy yield
- blackened windows
- incomplete log combustion

Do not burn manufactured logs made of wax impregnated sawdust or logs with any chemical additives.

Manufactured logs made of 100% compressed sawdust can be burned, but be careful burning too much of these logs at the same time. Start with one manufactured log and see how the stove reacts. You can increase the number of logs burned at a time but make sure the temperature never rises higher than 475 °F (246 °C) on a magnetic thermometer for installation on single wall stove pipes. The thermometer should be placed about 18" (457 mm) above the stove. Higher temperatures can lead to overheat and damage your stove.



TESTING YOUR WOOD

- When the stove is thoroughly warmed, place one piece of split wood (about five inches in diameter) parallel to the door on the bed of red embers.
- Keep the air control fully open and close the door. If the wood ignites within 90 seconds from the time it was placed in the stove, your wood is correctly dried. If ignition takes longer, your wood is damp.
- If your wood hisses and water or vapor escapes at

the ends of the piece, your wood is soaked or freshly cut (green). Do not use this wood in your stove. Large amounts of creosote could be deposited in your chimney, creating potential conditions for a chimney fire.

TAMPER WARNING

This wood heater has a manufacturer-set minimum low burn rate that must not be altered. It is against federal regulations to alter this setting or otherwise operate this wood heater in a manner inconsistent with operating instructions in this manual.

EFFICIENCIES

Efficiencies can be based on either the lower heating value (LHV) or the higher heating value (HHV) of the fuel. The lower heating value is when water leaves the combustion process as a vapor, in the case of woodstoves the moisture in the wood being burned leaves the stove as a vapor. The higher heating value is when water leaves the combustion process completely condensed. In the case of woodstoves this would assume the exhaust gases are room temperature when leaving the system, and therefore calculations using this heating value consider the heat going up the chimney as lost energy. Therefore, efficiency calculated using the lower heating value of wood will be higher than efficiency calculated using the higher heating value. The best way to achieve optimum efficiencies is to learn the burn characteristic of you appliance and burn well-seasoned wood. Higher burn rates are not always the best heating burn rates; after a good fire is established a lower burn rate may be a better option for efficient heating. A lower burn rate slows the flow of usable heat out of the home through the chimney, and it also consumes less wood.

NOTICE INITIAL BURNS TO CURE PAINT

BECAUSE OF HIGH OPERATING TEMPERATURES, THIS APPLIANCE IS COATED WITH A SPECIAL HIGH TEMP PAINT WHICH REQUIRES A SERIES OF LOW TO MEDIUM BURNS TO FULLY CURE FOR DURABILITY AND A LIFETIME OF SERVICE.

Proper curing of the high-temp paint requires a series of three initial burns. The appliance should be allowed to cool off between each burn. The first two burns should be small fires and low temperatures (250°F) for a duration of 20 minutes each. The third fire should be at a temperature of approximately 500°F for 20 minutes. Provide adequate cross ventilation to clear any smoke or odor caused by initial firings.

OPERATION INSTRUCTIONS

Notice: Use solid wood fuel only! Do not burn garbage, or flammable fluids. Do not use coal. This appliance is not designed to accommodate the air flow (draft) required to properly burn coal or coal products. Do not elevate the fire using grates or irons. Build the fire directly on the firebrick.

FUELING INSTRUCTIONS

This wood stove has been certified by the US EPA to meet strict 2020 guidelines. To ensure this unit produces the optimal minimum emissions it is critical that only well-seasoned cordwood is burned (see the “Fuel Recommendations” section of this manual). Burning unseasoned wet wood only hurts your stoves efficiency and leads to accelerated creosote buildup in your chimney. Be considerate of the environment and only burn dry wood.

CAUTION:

DO NOT LEAVE APPLIANCE UNATTENDED THE WITH DOOR OPEN.

For a cold start-up, place 4 to 5 pieces of newspaper into the firebox. On top of the newspaper, lay 5 lbs of kindling in a random placement to ensure airflow through the kindling. On top of the kindling, place approximately 6.5 lbs of small pieces of cordwood. NOTE: Use smaller pieces of wood during start-up and a high burn rate to increase the stove temperature.



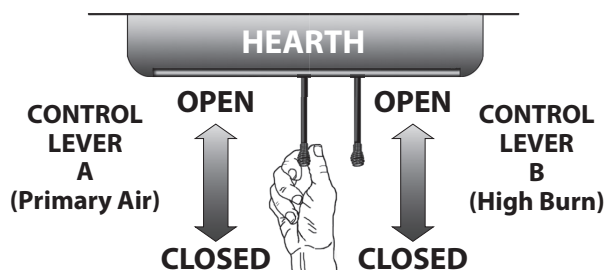
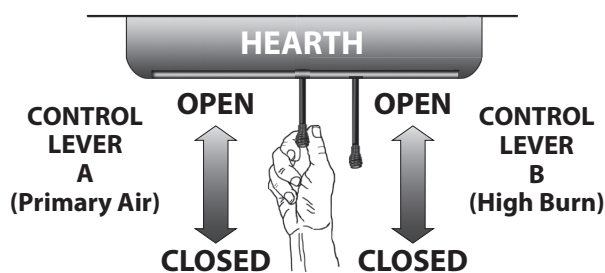
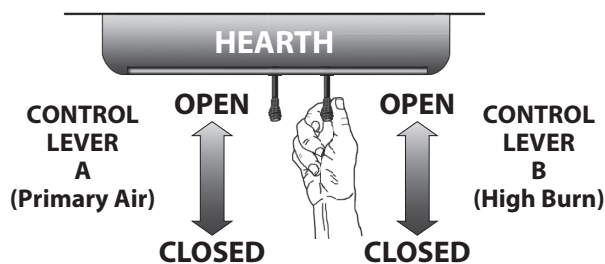
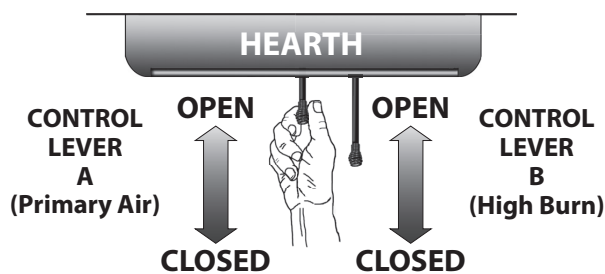
Push both air control slides to the fully open position. Light the newspaper and close the door. Once the kindling has burned down to a starter coal bed, load the unit with approximately 26 to 27 lbs of fuel for the first high burn load.



After the first high burn load and the stove is well warmed up, adjust the unit as needed for a medium or low burn setting. For a medium burn, once the high burn fuel load is burned down to an established coal bed, load the unit with 31 to 32 lbs of cordwood and keep the door slightly open for 2 minutes. After two minutes close the door. Keep the secondary airslide fully open for 10 minutes then close completely and set the primary airslide halfway closed. At the 15 minute point of loading your fuel, the primary air slide should be set at the medium setting which is about 1/2 inch open from the fully closed position.



For a low burn setting once the high burn (or medium) fuel load is burned down to an established coal bed, load the unit with 31 to 32 lbs of cordwood and leave the door open for two minutes. After two minutes close the door. Keep the secondary airslide fully open for 10 minutes then close completely and set the primary airslide halfway closed. At the 15 minute point of loading your fuel, the primary air slide should be set at the low setting which is pulling the airslide completely out toward you. NOTE: Do not close the air too quickly. Closing the air too quickly will cause the unit to smoke.



VISIBLE SMOKE

The amount of visible smoke being produced can be an effective method of determining how efficiently the combustion process is taking place in the given settings. Visible smoke consists of unburned fuel and moisture leaving your stove. Learn to adjust the air settings of your specific unit to produce the smallest amount of visible smoke. Wood that has not been seasoned properly and has a high wood moisture content will produce excess visible smoke and burn poorly.

AIR TUBES

The air tubes assembled in this unit are designed to provide an accurate mix of secondary air to ensure the highest efficiency. Any damage or deterioration of these tubes may reduce the efficiency of combustion. The air tubes are held in position by screws or snap pins. Locate these to either side of the tube and remove it to allow the tube to be removed and replaced.

BLOWER OPERATION

The variable-speed blower circulates air warmed by the firebox into the living area to distribute the heat more evenly. The blower control knob is located on the side of the blower housing. Turn the knob clockwise to turn the blower on. The speed is controlled by turning the knob clockwise for slower speeds and counter-clockwise for faster speeds. To turn the blower off, turn the speed control knob fully counter-clockwise. It is recommended to turn the blower off when the unit is not in operation. The blower should be removed at the beginning of every "burn" season and air-blown clean, removing any dust or build-up.

WARNINGS:

- NEVER OVERFIRE YOUR STOVE. IF ANY PART OF THE STOVE STARTS TO GLOW RED, OVER FIRING IS HAPPENING. READJUST THE AIR INTAKE CONTROL AT A LOWER SETTING.
- THE INSTALLATION OF A LOG CRADLE OR GRATES IS NOT RECOMMENDED IN YOUR WOOD STOVE. BUILD FIRE DIRECTLY ON FIREBRICK.
- NEVER PUT WOOD ABOVE THE FIREBRICK LINING OF THE FIREBOX.
- ATTEMPTS TO ACHIEVE HEAT OUTPUT RATES THAT EXCEED HEATER DESIGN SPECIFICATIONS CAN RESULT IN PERMANENT DAMAGE TO THE HEATER.

NEVER OPERATE THIS PRODUCT WHILE UNATTENDED

CAUTION:

DO NOT OVERFIRE APPLIANCE. YOU ARE OVERFIRING IF ANY PART OF THE APPLIANCE GLOWS RED. CLOSE THE DOOR AND SHUT DAMPER IMMEDIATELY TO REDUCE THE AIR SUPPLY AND SLOW DOWN THE FIRE.

CAUTION:

SLOW BURNING FIRES FOR EXTENDED USE OR BURNING GREEN WOOD MAY CAUSE EXCESSIVE CREOSOTE BUILD-UP. IGNITION OF CREOSOTE OR OVERFIRING COULD CAUSE A CHIMNEY FIRE. CHIMNEY FIRES BURN EXTREMELY HOT AND MAY IGNITE SURROUNDING COMBUSTIBLE MATERIALS. IN CASE OF A CHIMNEY FIRE, CALL THE FIRE DEPARTMENT IMMEDIATELY!

- Always check for creosote deposit once every two months and have your chimney cleaned at least once a year.
- If a chimney or creosote fire occurs, close all dampers immediately. Wait for the fire to go out and the heater to cool, then inspect the chimney for damage. If no damage results, perform a chimney cleaning to ensure no more creosote deposits is remaining in the chimney.

CAUTION:

A CHIMNEY FIRE MAY CAUSE IGNITION OF WALL STUDS OR RAFTERS WHICH WERE ASSUMED TO BE A SAFE DISTANCE AWAY FROM THE CHIMNEY. IF A CHIMNEY FIRE OCCURS, HAVE YOUR CHIMNEY INSPECTED BY A QUALIFIED EXPERT BEFORE USING AGAIN.

CREOSOTE FORMATION & NEED FOR REMOVAL

When wood is burned slowly, it produces tar and other organic vapors, which combine with expelled moisture to form creosote. The creosote vapors condense in the relatively cool chimney flue of a slow-burning fire. As a result, creosote residue accumulates on the flue lining. When ignited this creosote makes an extremely high temper fire. The chimney connector and chimney should be inspected at least once every two months during the heating season to determine if a creosote build-up has occurred. If creosote has accumulated (3 mm or more), it should be removed to reduce the risk of a chimney fire. We strongly recommend that you install a magnetic thermometer on your smoke exhaust pipe, approximately 18" above the stove. This thermometer will indicate the temperature of your gas exhaust fumes within the smoke exhaust system. The ideal temperature for these gases is somewhere between 275°F and 500°F. Below these temperatures, the build-up of creosote is promoted. Above 500°F, heat is wasted since a too large quantity is lost into the atmosphere.

TO PREVENT CREOSOTE BUILD UP

- Always burn dry wood. This allows clean burns and higher chimney temperatures, therefore less creosote deposit.
- Leave the air control fully open for about 5 min. every time you reload the stove to bring it back to proper operating temperatures. The secondary combustion can only take place if the firebox is hot enough.

ASH REMOVAL & DISPOSAL

Whenever ashes get 3 to 4 inches deep in your firebox or ash pan, and when the fire has burned down and cooled, remove excess ashes. Leave an ash bed approximately 1 inch deep on the firebox bottom to help maintain a hot charcoal bed. Ashes should be placed in a metal container with a tight-fitting lid. The closed container of ashes should be placed on a non-combustible floor or the ground, away from all combustible materials, pending final disposal. The ashes should be retained in the closed container until all cinders have thoroughly cooled.

CAUTIONS:

- **ASHES COULD CONTAIN HOT EMBERS EVEN AFTER TWO DAYS WITHOUT OPERATING THE STOVE.**
- **THE ASH PAN CAN BECOME VERY HOT. WEAR GLOVES TO PREVENT INJURY.**
- **NEVER BURN THE STOVE WITH THE ASH TRAP OPEN. THIS WOULD RESULT IN OVER FIRING THE STOVE. DAMAGE TO THE STOVE AND EVEN HOUSE FIRE MAY RESULT.**

SMOKE & CO MONITORS

Burning wood naturally produces smoke and carbon monoxide(CO) emissions. CO is a poisonous gas when exposed to elevated concentrations for extended periods. While the modern combustion systems in heaters drastically reduce the amount of CO emitted out the chimney, exposure to the gases in closed or

confined areas can be dangerous. Make sure your stove gaskets and chimney joints are in good working order and sealing properly to ensure unintended exposure. It is recommended that you use both smoke and CO monitors in areas having the potential to generate CO.

GLASS CARE

- Inspect and clean the glass regularly to detect any cracks. If you spot one, turn the stove off immediately. Do not abuse the glass door by striking or slamming shut. Do not use the stove if the glass is broken.
- If the glass on your stove breaks, replace only with the glass supplied from your heater dealer. Never substitute other materials for the glass.
- To replace the glass, remove the screws retaining the glass moldings inside the door. Remove the moldings and replace the damaged piece with a new one. Perform the procedure backward after replacing it. When replacing the glass, you should change the glass gasket to make sure you keep it sealed.
- Never wash the glass with a product that may scratch. Use a specialized product, available in the stores where

wood stoves are sold. The glass should be washed only when cold.

GASKET CARE

WARNING:

NEVER OPERATE THE STOVE WITHOUT A GASKET OR WITH A BROKEN ONE. DAMAGE TO THE STOVE OR EVEN HOUSE FIRE MAY RESULT.

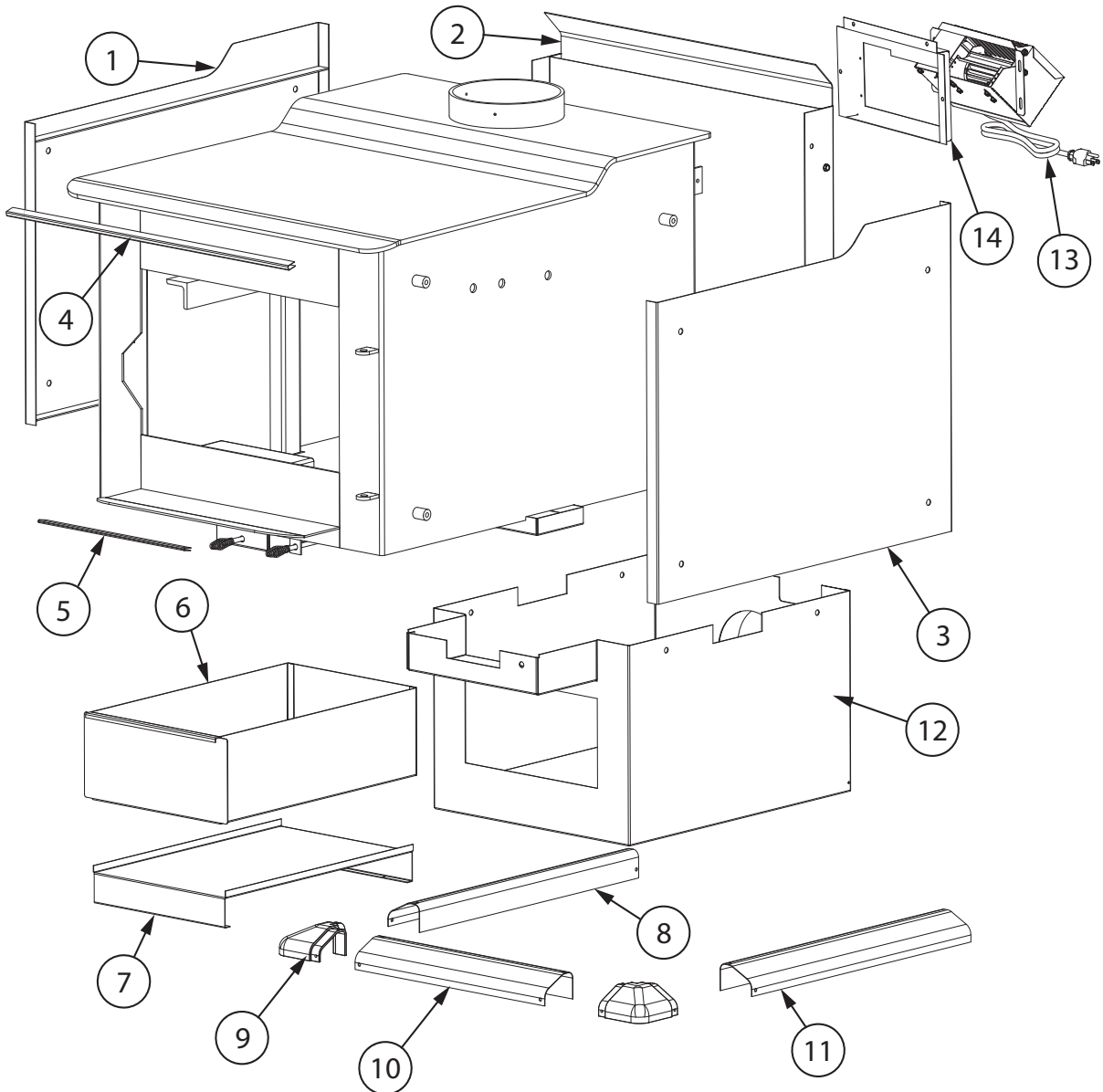
This unit's door uses a 3/4" diameter rope gasket. It is recommended that you change the door gasket (which makes your stove door air tight) once a year, in order to ensure good control over the combustion, maximum efficiency and security. To change the door gasket, simply remove the damaged one. Carefully clean the available gasket groove, apply a high temperature silicone sold for this purpose, and install the new gasket. You may light up your stove again approximately 24 hours after having completed this operation.

HOW TO ORDER REPAIR PARTS

For Parts Assistance Call: 800-750-2723 Ext 5051 or Email: parts@usstove.com

The information in this owner's manual is specific to your unit. When ordering replacement parts the information in this manual will help to ensure the correct items are ordered. Before contacting customer service write down the model number and the serial number of this unit. That information can be found on the certification label attached to the back of the unit. Other information that may be needed would be the part number and part description of the item(s) in question. Part numbers and descriptions can be found in the "Repair Parts" section of this manual. Once this information has been gathered you can contact customer service by phone 1-800-750-2723 Ext 5051 or Email parts@usstove.com.

Model Information	
Model Number	
Serial Number	



Key	Part #	Description	Qty
1	892268	Heat Shield (Left)	1
2	892269	Heat Shield (Rear)	1
3	892267	Heat Shield (Right)	1
4	892278	Top Trim	1
5	892279	Hearth Trim	1
6	69912	Ash Drawer	1
7	26548	Ash Drawer Support	1
8	26541	Left Side Skirt	1

9	40597	Skirt Corner	2
10	26546	Front Skirt	1
11	26553	Right Side Skirt	1
12	69911	Pedestal	1
13	CB36	Blower Assembly	1
14	25598	Blower Bracket	1

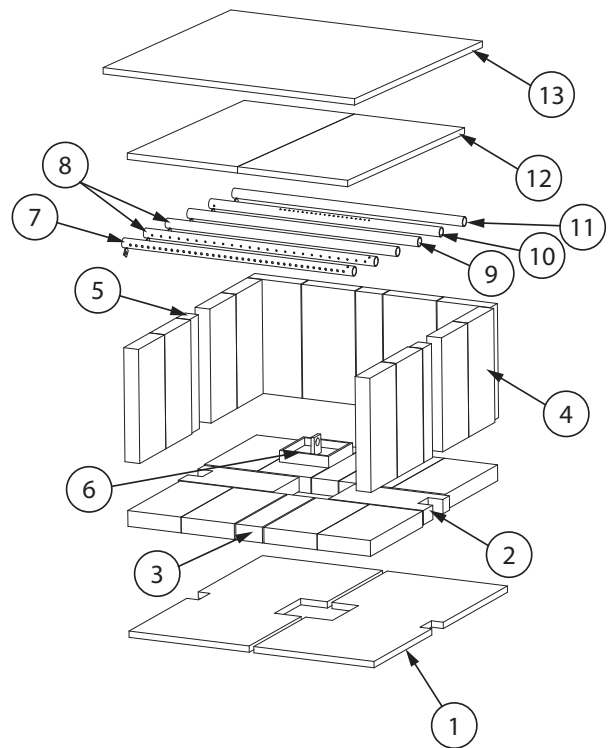
To order parts:

Call 1-800-750-2723 Ext 5051 or

Email to: parts@usstove.com

IN ORDER TO MAINTAIN WARRANTY, COMPONENTS MUST BE REPLACED USING ORIGINAL MANUFACTURERS PARTS PURCHASED THROUGH YOUR DEALER OR DIRECTLY FROM THE APPLIANCE MANUFACTURER. USE OF THIRD PARTY COMPONENTS WILL VOID THE WARRANTY.

Key	Part #	Description	Qty
1	88194	C-Cast Bottom	2
2	892280	Notched Firebrick	2
3	891414	Half Firebrick	3
4	89066	Firebrick (4-1/2 X 9)	20
5	892281	1.5" Firebrick	2
6	40595	Half Brick Ash Plug	1
7	86698	Tube(1), Secondary Air Tube (4mm)	1
8	86699	Tube(2,3), Secondary Air Tube (3mm)	2
9	86700	Tube(4), Secondary Air Tube (2.5mm)	1
10	86701	Tube(5), Secondary Air Tube (2.0mm)	1
11	86702	Tube(6), Secondary Air (No Holes)	1
12	88192	Ceramic Fiber Board Top	2
13	88193	Kao Wool	1

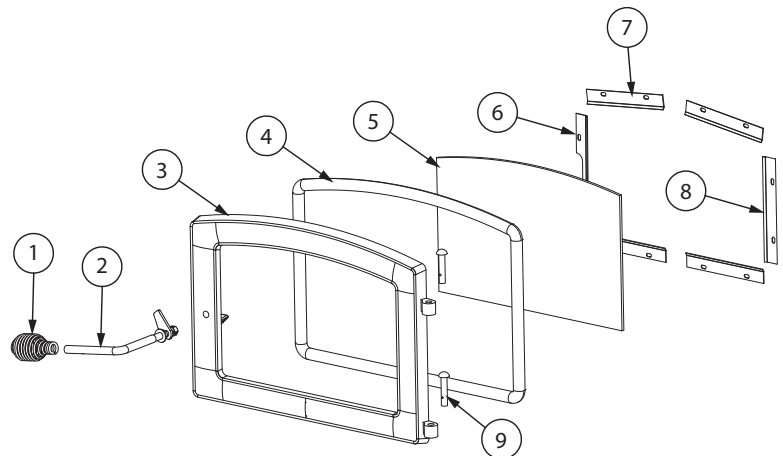


To order parts:

Call 1-800-750-2723 Ext 5051 or

Email to: parts@usstove.com

Key	Part #	Description	Qty
1	891135	Spring Handle	1
2	892266	Handle Assembly	1
3	40596	Ponderosa Cast Door	1
4	88082	Rope Gasket 3/4"	3.5 ft
5	892270	Glass, Chamber Door	1
6	26533	Lg-Cut, Glass Retainer	1
7	26534	Glass Retainer	4
8	26536	Glass Retainer Lg	1
9	83922	Pin w/Cotter, Hinge	2



To order parts:

Call 1-800-750-2723 Ext 5051 or

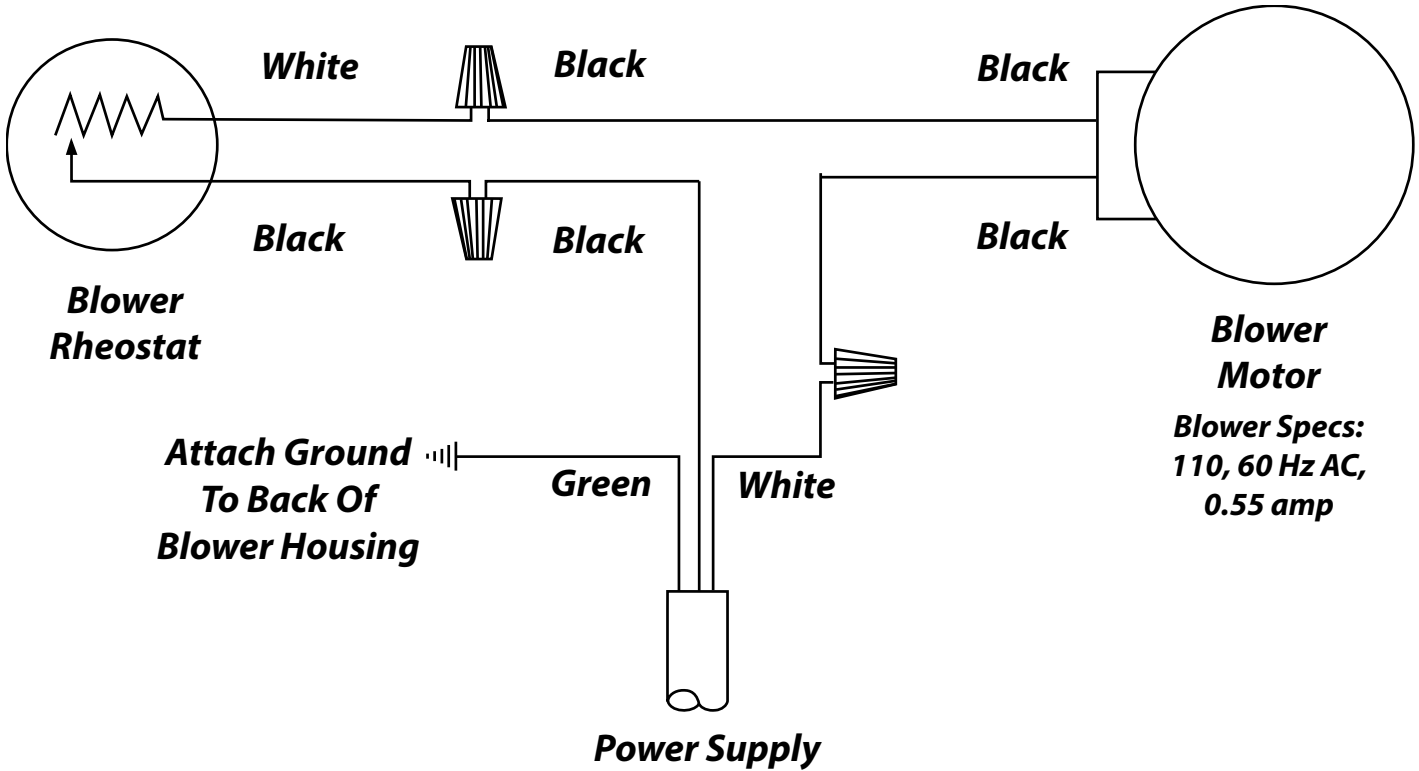
Email to: parts@usstove.com

IN ORDER TO MAINTAIN WARRANTY, COMPONENTS MUST BE REPLACED USING ORIGINAL MANUFACTURERS PARTS PURCHASED THROUGH YOUR DEALER OR DIRECTLY FROM THE APPLIANCE MANUFACTURER. USE OF THIRD PARTY COMPONENTS WILL VOID THE WARRANTY.

WIRING DIAGRAM

DANGER: SHOCK HAZARD. DISCONNECT POWER SOURCE BEFORE INSTALLATION AND WHENEVER SERVICING BLOWER ASSEMBLY.

CAUTION: MOVING PARTS CAN CAUSE INJURY. DO NOT OPERATE WITH COVER REMOVED.



NOTICE: DO NOT ALLOW POWER CORD TO TOUCH HOT SURFACES! KEEP POWER CORD AWAY FROM STOVE OR PIPE SURFACES.

NOTICE: ANY REPLACEMENT WIRING MUST HAVE EQUIVALENT INSULATION AND TEMPERATURE RATING (105°C).



SERVICE RECORD

It is recommended that your heating system is serviced regularly and that the appropriate Service Interval Record is completed.

SERVICE PROVIDER

Before completing the appropriate Service Record below, please ensure you have carried out the service as described in the manufacturer's instructions. Always use the manufacturer's specified spare part when replacement is necessary.

Service 01 Date: _____

Engineer Name: _____

License No.: _____

Company: _____

Telephone No.: _____

Stove Inspected: Chimney Swept:

Items Replaced: _____

Service 02 Date: _____

Engineer Name: _____

License No.: _____

Company: _____

Telephone No.: _____

Stove Inspected: Chimney Swept:

Items Replaced: _____

Service 03 Date: _____

Engineer Name: _____

License No.: _____

Company: _____

Telephone No.: _____

Stove Inspected: Chimney Swept:

Items Replaced: _____

Service 04 Date: _____

Engineer Name: _____

License No.: _____

Company: _____

Telephone No.: _____

Stove Inspected: Chimney Swept:

Items Replaced: _____

Service 05 Date: _____

Engineer Name: _____

License No.: _____

Company: _____

Telephone No.: _____

Stove Inspected: Chimney Swept:

Items Replaced: _____

Service 06 Date: _____

Engineer Name: _____

License No.: _____

Company: _____

Telephone No.: _____

Stove Inspected: Chimney Swept:

Items Replaced: _____

Service 07 Date: _____

Engineer Name: _____

License No.: _____

Company: _____

Telephone No.: _____

Stove Inspected: Chimney Swept:

Items Replaced: _____

Service 08 Date: _____

Engineer Name: _____

License No.: _____

Company: _____

Telephone No.: _____

Stove Inspected: Chimney Swept:

Items Replaced: _____

Il est recommandé que votre système de chauffage est desservi régulièrement et que le Service Intervall enregistré approprié est terminée.

FOURNISSEUR DE SERVICES

Avant de terminer l'enregistrement de service approprié ci-dessous, s'il vous plaît vous assurer que vous avez effectué le service tel que décrit dans les instructions du fabricant. Toujours utiliser pièce de rechange indiquée par le fabricant lors de remplacement est nécessaire.

Service de 01

Date: _____

Nom de l'ingénieur: _____

N° de licence: _____

Compagnie: _____

N° de téléphone: _____

Poêle Inspecté: Cheminée balayée:

Articles Remplacé: _____

Service de 02

Date: _____

Nom de l'ingénieur: _____

N° de licence: _____

Compagnie: _____

N° de téléphone: _____

Poêle Inspecté: Cheminée balayée:

Articles Remplacé: _____

Service de 03

Date: _____

Nom de l'ingénieur: _____

N° de licence: _____

Compagnie: _____

N° de téléphone: _____

Poêle Inspecté: Cheminée balayée:

Articles Remplacé: _____

Service de 04

Date: _____

Nom de l'ingénieur: _____

N° de licence: _____

Compagnie: _____

N° de téléphone: _____

Poêle Inspecté: Cheminée balayée:

Articles Remplacé: _____

Service de 05

Date: _____

Nom de l'ingénieur: _____

N° de licence: _____

Compagnie: _____

N° de téléphone: _____

Poêle Inspecté: Cheminée balayée:

Articles Remplacé: _____

Service de 06

Date: _____

Nom de l'ingénieur: _____

N° de licence: _____

Compagnie: _____

N° de téléphone: _____

Poêle Inspecté: Cheminée balayée:

Articles Remplacé: _____

Service de 07

Date: _____

Nom de l'ingénieur: _____

N° de licence: _____

Compagnie: _____

N° de téléphone: _____

Poêle Inspecté: Cheminée balayée:

Articles Remplacé: _____

Service de 08

Date: _____

Nom de l'ingénieur: _____

N° de licence: _____

Compagnie: _____

N° de téléphone: _____

Poêle Inspecté: Cheminée balayée:

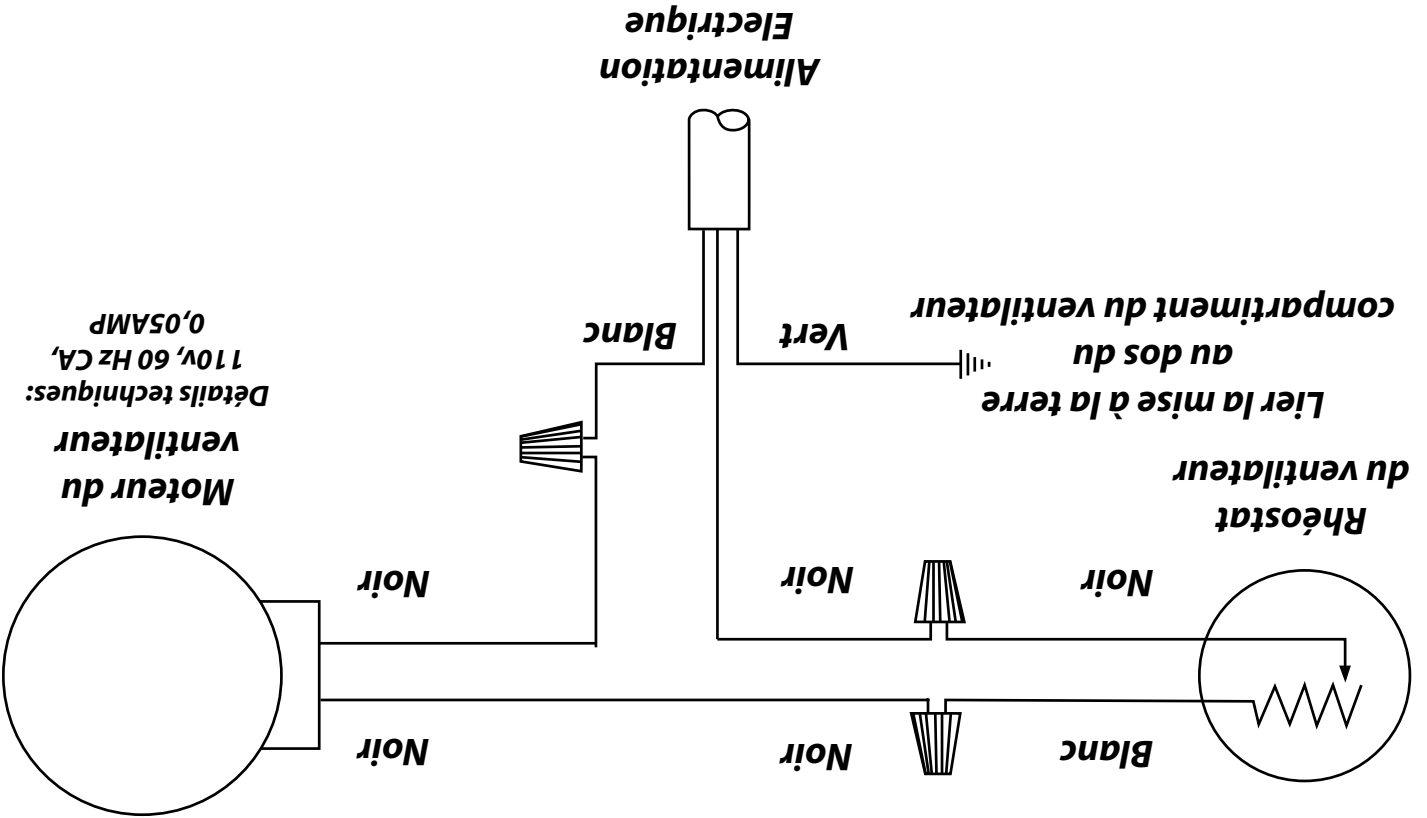
Articles Remplacé: _____

DIAGRAMME DE FIL



DANGER: RISQUE D'ÉLECTROCUTION. DÉBRANCHER L'ALIMENTATION ÉLECTRIQUE AVANT L'INSTALLATION ET LORS DE L'ENTRETIEN DE LAS-SEMBLAGE DU VENTILATEUR REFOULANT.

ATTENTION: PIÈCES MOBILES POUVANT CAUSER DES BLESSURES. NE PAS FAIRE FONCTIONNER SI LE COU-VERCLE EST RETIRÉ.



AVIS: NE PAS LAISSER LE FIL ÉLECTRIQUE ENTRER EN CONTACT AVEC UNE SURFACE CHAUDE! GARDER LE FIL ÉLECTRIQUE À 12PO / 30CM AU MOINS DE LA SURFACE DU POÊLE OU DES CONDUITS.

AVIS: TOUT CÂBLAGE DE REMPLACEMENT DOIT AVOIR UNE ISOLATION ET DES CARACTÉRISTIQUES THERMIQUES SIMILAIRES À L'ORIGINAL (105°C).

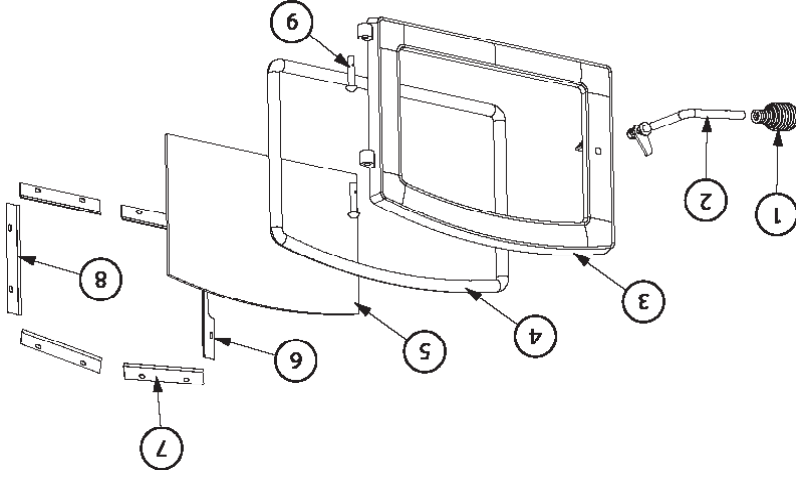
AFIN DE MAINTENIR LA GARANTIE, LES COMPOSANTS DOIVENT ÊTRE REMPLACÉS PAR DES PIÈCES D'ORIGINE ACHETÉES CHEZ VOTRE REVENDUEUR OU DIRECTEMENT AUPRÈS DU FABRICANT DE L'APPAREIL. L'UTILISATION DE COMPOSANTS TIERS ANNULERA LA GARANTIE.

Pour commander des pièces:

Appelz le 1-800-750-2723 Ext 5051 ou

Envoyez un courriel à: parts@usstove.com

Clé	Partie #	La Description	Qté
1	891135	Poignée à ressort	1
2	892266	Assemblage de la poignée	1
3	40596	Porte coulée	1
4	88082	Joint de corde 3/4 po	3,5 pi
5	892270	Verre, porte de la chambre	1
6	26533	Retenue en verre de grande taille	1
7	26534	Verre de retenue	4
8	26536	Grand verre de retenue	1
9	83922	Broche avec goupille, charnière	2

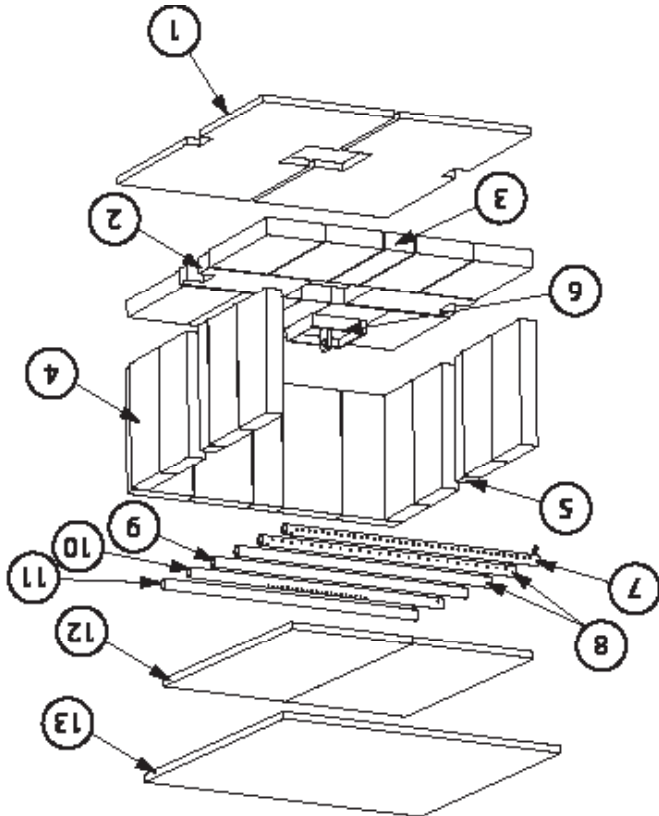


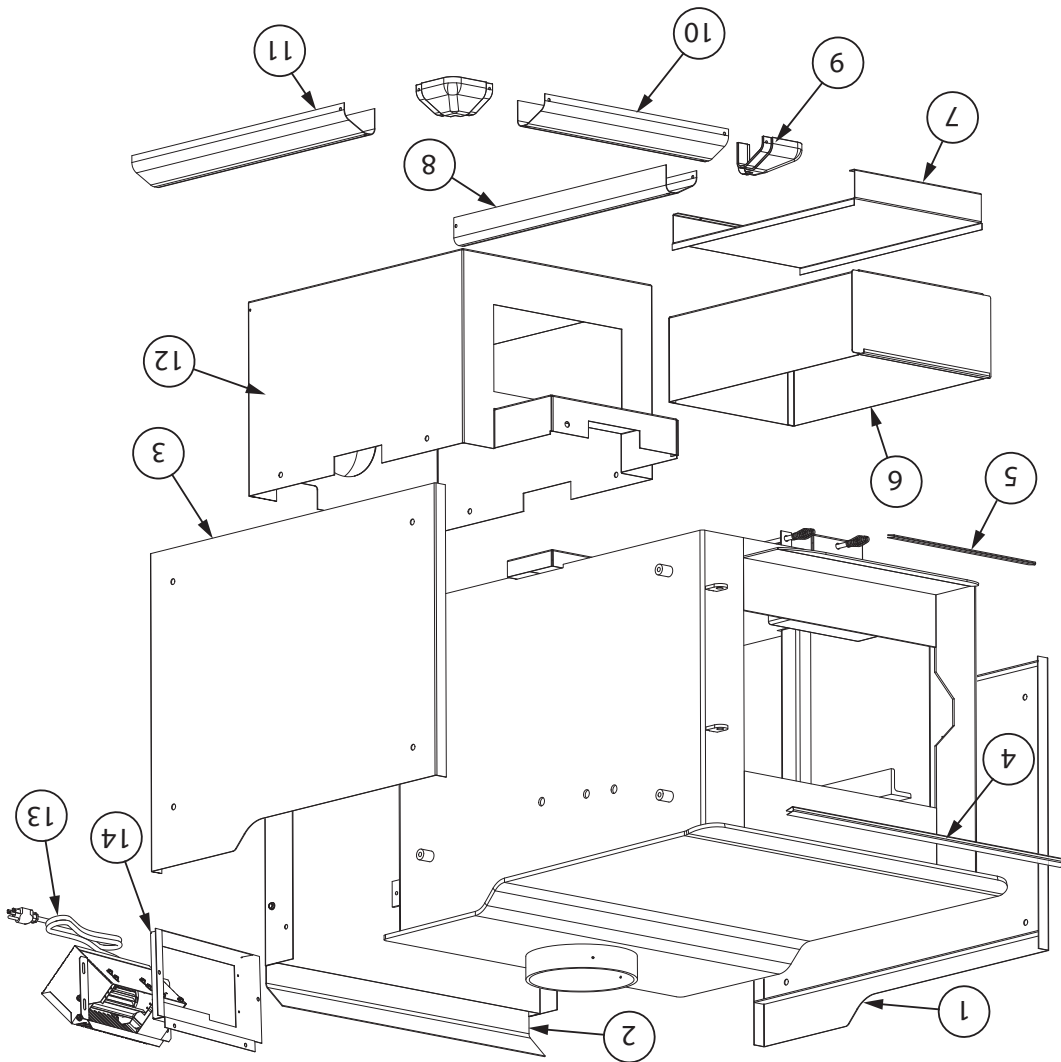
Pour commander des pièces:

Appelz le 1-800-750-2723 Ext 5051 ou

Envoyez un courriel à: parts@usstove.com

Clé	Partie #	La Description	Qté
1	88194	C-Cast Bas	2
2	892280	Brique de feu entaillée	2
3	891414	Demi brique réfractaire	3
4	89066	Brique réfractaire (4-1 / 2 x 9)	20
5	892281	1,5 po brique réfractaire	2
6	40595	Bouchon de cendre demi-brique	1
7	86698	Tube d'air secondaire (1) (4 mm)	1
8	86699	Tube d'air secondaire (2,3) (3 mm)	2
9	86700	Tube d'air secondaire (4) (2,5 mm)	1
10	86701	Tube d'air secondaire (5) (2,0 mm)	1
11	86702	Tube d'air secondaire (6) (sans trous)	1
12	88192	Plateau en fibre de céramique	2
13	88193	Laine Kao	1





Clé	Partie #	La Description
1	892268	Bouclier thermique (gauche)
2	892269	Bouclier thermique (arrière)
3	892267	Bouclier thermique (droite)
4	892278	Garniture supérieure
5	892279	Garniture de foyer
6	69912	Tiroir à cendres
7	26548	Support de tiroir à cendres
8	26541	Jupe côté gauche

9	40597	Coin de jupe
10	26546	Jupe avant
11	26553	Jupe côté droit
12	69911	Piédestal
13	CB36	Ensemble de soufflante
14	25598	Support de soufflante

Pour commander des pièces:

Appelez le 1-800-750-2723 Ext 5051 ou

Envoyez un courriel à: parts@usstove.com

AFIN DE MAINTENIR LA GARANTIE, LES COMPOSANTS DOIVENT ÊTRE REMPLACÉS PAR DES PIÈCES D'ORIGINE ACHETÉES CHEZ VOTRE REVENDEUR OU DIRECTEMENT AUPRÈS DU FABRICANT DE L'APPAREIL. L'UTILISATION DE COMPOSANTS TIERS ANNULERA LA GARANTIE.

ENTRETIEN DES JOINTS

AVERTISSEMENT:
N'UTILISEZ JAMAIS LE POÊLE SANS JOINT OU AVEC UN CASSE. DES DOMMAGES AU POÊLE OU À L'INCENDIE DE LA MAISON PEUVENT EN RÉSULTER.

La porte de cet appareil utilise un joint de corde de 3/4 po de diamètre. Il est recommandé de changer le joint de porte (qui rend la porte de votre poêle étanche à l'air) une fois par an, afin d'assurer un bon contrôle de la combustion, une efficacité et une sécurité maximales. Pour changer le joint de porte, retirez simplement celui qui est endommagé. Nettoyez soigneusement la rainure du joint disponible, appliquez un silicone haute température vendu à cet effet et installez le nouveau joint. Vous pouvez rallumer votre poêle environ 24 heures après avoir terminé cette opération.

AVERTISSEMENT:
CE POÊLE À BOIS DOIT ÊTRE INSPECTÉ ET RÉPARÉ PÉRIODIQUEMENT POUR FONCTIONNER CORRECTEMENT. IL EST CONTRAIRE À LA RÉGLEMENTATION FÉDÉRALE DE FAIRE FONCTIONNER CE POÊLE À BOIS D'UNE MANIÈRE NON CONFORME AUX INSTRUCTIONS D'UTILISATION DE CE MANUEL.

ENTRETIEN VERRE

gaz poison lorsque l'exposition se fait à des concentrations élevées pour une période de temps prolongée. Bien que les systèmes de combustion modernes des chauffages réduisent de façon importante la quantité de CO émis par la cheminée, l'exposition aux gaz dans des endroits fermés ou clos peut être dangereuse. Assurez-vous que les joints d'étanchéité de votre poêle et les joints de la cheminée soient en bon état et qu'ils scellent correctement, évitant les expositions indésirables. Il est recommandé que vous utilisiez des détecteurs de fumée et de CO dans les zones où se trouve un potentiel de génération de CO.

- Inspectez et nettoyez régulièrement la vitre pour détecter d'éventuelles fissures. Si vous en repérez, éteignez immédiatement le poêle. N'abusez pas de la porte vitrée en la claquant ou en la claquant. N'utilisez pas le poêle si le verre est cassé.

- Si le verre de votre poêle se brise, remplacez-le uniquement par le verre fourni par votre revendeur de chauffage. Ne remplacez jamais d'autres matériaux par le verre.

- Pour remplacer la vitre, retirez les vis retenant les moulures en verre à l'intérieur de la porte. Retirez les moulures remplacez la pièce endommagée par une nouvelle. Effectuez la procédure à l'envers après l'avoir remplacé. Lors du remplacement de la vitre, vous devez changer le joint en verre pour vous assurer de le garder scellé.

- Ne lavez jamais la vitre avec un produit qui pourrait rayer. Utilisez un produit spécialisé, disponible dans les magasins où les poêles à bois sont vendus. Le verre ne doit être lavé qu'à froid.

COMMANDE DE PIÈCES DE RECHANGE

POUR L'ASSISTANCE SUR LES PIÈCES, APPELEZ LE 800-750-2723, POSTE 5051 OU PAR COURRIEL: PARTS@USSTOVE.COM

Les informations contenues dans ce manuel du propriétaire sont spécifiques à votre appareil. Lors de la commande de pièces de rechange, les informations contenues dans ce manuel vous aideront à vous assurer que les bons articles sont commandés. Avant de contacter le service client, notez le numéro de modèle et le numéro de série de cet appareil. Cette information se trouve sur l'étiquette de certification apposée à l'arrière de l'appareil. D'autres informations qui pourraient être nécessaires sont le numéro de pièce et la description de l'article en question. Les références et les descriptions se trouvent dans la section «Pièces de réparation» de ce manuel. Une fois ces informations recueillies, vous pouvez contacter le service client par téléphone au 1-800-750-2723, poste 5051 ou par e-mail à parts@ussstove.com.

Informations sur le modèle	
Numéro de modèle	Numéro de série

NE JAMAIS UTILISER CE PRODUIT SANS SURVEILLANCE

AVERTISSEMENT:
NE PAS SURCHAUFFER L'APPAREIL. VOUS SURCHAUFFEZ SI UNE PARTIE QUELCONQUE DE L'APPAREIL S'ALLUME EN ROUGE. FERMEZ LA PORTE ET FERMEZ IMMÉDIATEMENT LE REGISTRE POUR RÉDUIRE L'ALIMENTATION EN AIR ET RALENTIR LE FEU.
AVERTISSEMENT:
LES FEUX À COMBUSTION LENTE POUR UNE UTILISATION PROLONGÉE OU LA COMBUSTION DE BOIS EXCESSIVE DE CRÉOSOTE. L'ALLUMAGE DE LA CRÉOSOTE OU LA SURCHAUFFE PEUVENT PROVOQUER UN FEU DE CHEMINÉE. LES FEUX DE CHEMINÉE BRÛLENT EXTRÊMEMENT CHAUD ET PEUVENT ENFLAMMER LES MATÉRIEAUX COMBUSTIBLES ENVIRONNANTS. EN CAS D'INCENDIE DE CHEMINÉE, APPELÉZ IMMÉDIATEMENT LE SERVICE D'INCENDIE!

FORMÀTION DE CRÉOSOTE ET BESOIN D'ENLÈVEMENT

Lorsque le bois est brûlé lentement, il produit du goudron et d'autres vapeurs organiques, qui se combinent avec l'humidité expulsée pour former de la créosote. Les vapeurs de créosote se condensent dans le conduit de cheminée relativement frais d'un feu à combustion lente. Par conséquent, des résidus de créosote s'accumulent sur le revêtement du conduit de fumée. Lorsqu'elle est allumée, cette créosote fait un feu extrêmement élevé. Le raccord de cheminée et la cheminée doivent être inspectés au moins une fois tous les deux mois pendant la saison de chauffage pour déterminer si une accumulation de créosote s'est produite. Si la créosote s'est accumulée (3 mm ou plus), elle doit être retirée pour réduire le risque d'incendie de cheminée. Nous vous recommandons fortement d'installer un thermomètre magnétique sur votre tuyau d'échappement de fumée, à environ 18 po au-dessus du poêle. Ce thermomètre indiquera la température de vos fumées d'échappement de gaz dans le système d'évacuation des fumées. La température idéale pour ces gaz se situe entre 275°F et 500°F. En dessous de ces températures, l'accumulation de créosote est favorisée. Au-dessus de 500°F, la chaleur est perdue car une trop grande quantité est perdue dans l'atmosphère.

POUR ÉVITER LA CONSTRUCTION DE CRÉOSOTE

- Brûlez toujours du bois sec. Cela permet des brûlures propres et des températures de cheminée plus élevées, donc moins de dépôt de créosote.
- Laissez le contrôle d'air complètement ouvert pendant environ 5 min, chaque fois que vous rechargez le poêle pour ramener à des températures de fonctionnement appropriées. La combustion secondaire ne peut avoir lieu que si le foyer est suffisamment chaud.

AVERTISSEMENT:
UN FEU DE CHEMINÉE PEUT PROVOQUER L'INFLAMMATION DE POTEAUX MURAUX OU DE CHEVRONS QUI ÉTAIENT SUPPOSÉS ÊTRE À UNE DISTANCE SÛRE DE LA CHEMINÉE. EN CAS D'INCENDIE DE CHEMINÉE, FAITES INSPECTER VOTRE CHEMINÉE PAR UN EXPERT QUALIFIÉ AVANT DE L'UTILISER À NOUVEAU.

ENLÈVEMENT DES CENDRES ET LEUR DISPOSITION

AVERTISSEMENT:
<ul style="list-style-type: none"> • LES CENDRES POURRAIENT CONTENIR DES EMBRES CHAUDES MÊME APRÈS DEUX JOURS SANS FAIRE FONCTIONNER LE POÊLE. • LE CENDRIER PEUT DEVENIR TRÈS CHAUD. PORTER DES GANTS POUR PRÉVENIR LES BLESSURES. • NE BRÛLEZ JAMAIS LE POÊLE AVEC LE PIÈGE À CENDRES OUVERT. CELA POURRAIT PROVOQUER PLUS DE CUISSON DU POÊLE. DES DOMMAGES AU POÊLE ET À UN MÊME INCENDIE PEUVENT EN RÉSULTER.

- Vérifiez toujours le dépôt de créosote une fois tous les deux mois et faites nettoyer votre cheminée au moins une fois par an.
- En cas d'incendie de cheminée ou de créosote, fermez immédiatement tous les registres. Attendez que le feu s'éteigne et que le chauffe-eau refroidisse, puis inspectez la cheminée pour déceler tout dommage. Si aucun dommage ne se produit, effectuez un nettoyage de cheminée pour vous assurer qu'il ne reste plus de dépôts de créosote dans la cheminée.

Chaque fois que les cendres atteignent 3 à 4 pouces de profondeur dans votre foyer ou cendrier, et lorsque le feu a brûlé et refroidi, retirez les cendres en excès. Laissez un lit de cendres d'environ 1 pouce de profondeur sur le fond de la chambre de combustion pour aider à maintenir un lit de charbon de bois chaud. Les cendres doivent être placées dans un récipient en métal avec un couvercle hermétique. Le contenant fermé de cendres doit être placé sur un sol incombustible ou sur le sol, à l'écart de tout matériau combustible, en attendant l'élimination finale. Les cendres doivent être conservées dans le récipient fermé jusqu'à ce que toutes les cendres aient complètement refroidi.

DÉTECTEURS DE FUMÉE ET DE CO

Le brûlage du bois produit naturellement des émissions de fumée et du monoxyde de carbone (CO). Le CO est un

FUMÉE VISIBLE

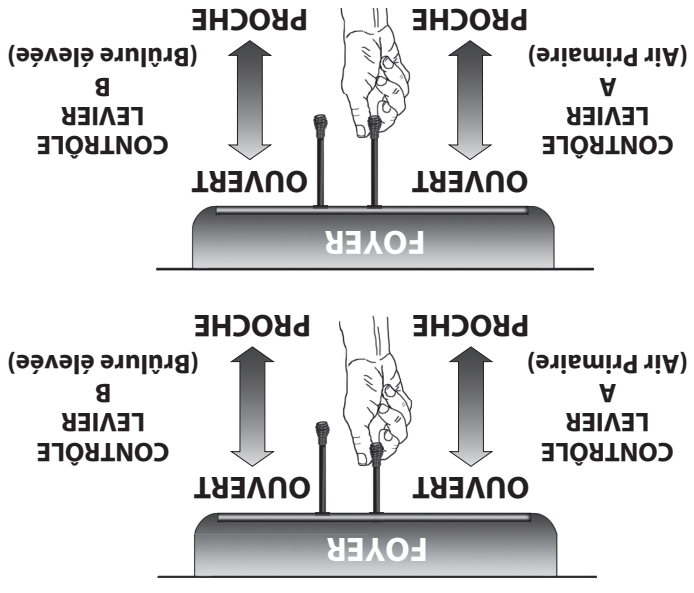
La quantité de fumée visible produite peut être une méthode efficace pour déterminer l'efficacité du processus de combustion aux paramètres donnés. La fumée visible est constituée de combustible non brûlé et d'humidité sortant de votre poêle. Apprenez à régler les paramètres d'air de votre unité spécifique pour produire la plus petite quantité de fumée visible. Le bois qui n'a pas été correctement séché et qui a une teneur élevée en humidité produira un excès de fumée visible et brûlera mal.

CONDUITS D'AIR

Les conduits d'air assemblés dans cette unité sont conçus pour offrir un mélange précis d'air secondaire et assurer une plus grande efficacité. Tout dommage ou détérioration de ces conduits peut réduire l'efficacité de la combustion. Les conduits d'air sont maintenus en position par des vis ou par des goupilles de blocage. Localisez et enlevez-les des deux côtés du conduit pour le retirer et le remonter en place.

FONCTIONNEMENT DE LA SOUFFLERIE

Le ventilateur à vitesse variable fait circuler l'air réchauffé par la chambre de combustion dans le salon pour répartir la chaleur plus uniformément. Le bouton de commande du ventilateur est situé sur le côté du boîtier du ventilateur. Tournez le bouton dans le sens des aiguilles d'une montre pour mettre le ventilateur en marche. La vitesse est contrôlée en tournant le bouton dans le sens des aiguilles d'une montre pour des vitesses plus lentes et dans le sens inverse des aiguilles d'une montre, tournez le bouton de commande de vitesse à fond dans le sens antihoraire. Il est recommandé d'éteindre le ventilateur lorsque l'unité n'est pas en fonctionnement. Le ventilateur doit être retiré au début de chaque saison de «brûlure» et nettoyé par soufflage à l'air, en éliminant toute poussière ou accumulation.



AVERTISSEMENTS:

- NE JAMAIS SURCHAUFFER VOTRE POÊLE. SI UNE PARTIE DU POÊLE COMMENCE À LUMIÈRE ROUGE, PLUS DE CUISSON ARRIVE. RÉAJUSTEZ LA COMMANDE D'ADMISSION D'AIR À UN RÉGLAGE PLUS BAS.
- L'INSTALLATION D'UN BERCEAU À BÛCHES OU DE GRILLES N'EST PAS RECOMMANDÉE DANS VOTRE POÊLE À BOIS. CONSTRUISEZ LE FEU DIRECTEMENT SUR FIREBRICK.
- NE METTEZ JAMAIS DE BOIS AU-DESSUS DE LA DOUBLURE DU FEU DE FEU.
- LES TENTATIVES POUR ATTEINDRE DES DÉBITS DE CHALEUR SUPÉRIEURS AUX SPÉCIFICATIONS DE CONCEPTION DU RÉCHAUFFEUR PEUVENT ENTRAÎNER DES DOMMAGES PERMANENTS AU RÉCHAUFFEUR.

INSTRUCTIONS DE RAVITAILEMENT

Ce poêle à bois a été certifié par l'US EPA pour répondre aux strictes directives 2020. Pour garantir que cet appareil produit les émissions minimales optimales, il est essentiel que seul du bois de cordon bien séché soit brûlé (voir la section «Recommandations de carburant» de ce manuel). La combustion de bois humide non séché ne fait que nuire à l'efficacité de vos poêles et entraîne une accumulation accélérée de créosote dans votre cheminée. Soyez respectueux de l'environnement et ne brûlez que du bois sec.

ATTENTION:
NE LAISSEZ PAS L'APPAREIL SANS SURVEILLANCE
AVEC LA PORTE OUVERTE.

Pour un démarrage à froid, placez 4 à 5 morceaux de papier journal dans la chambre de combustion. Sur le dessus du journal, déposez 5 lb de bois d'allumage dans un emplacement aléatoire pour assurer la circulation de l'air à travers le bois d'allumage. Sur le bois d'allumage, placez environ 6,5 lb de petits morceaux de bois de corde. **REMARQUE:** Utilisez de plus petits morceaux de bois pendant le démarrage et un taux de combustion élevé pour augmenter la température du poêle.



Poussez les deux glissières de commande d'air en position complètement ouverte. Allumez le journal et fermez la porte. Une fois que le bois d'allumage a brûlé jusqu'à un lit de charbon de démarrage, chargez l'unité avec environ 26 à 27 lb de carburant pour la première charge de combustion élevée.

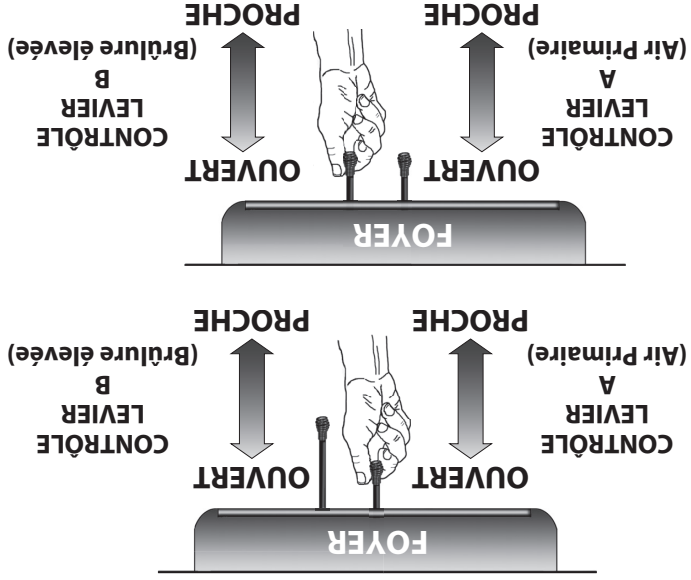


Après la première charge de combustion élevée et le poêle est bien réchauffé, ajustez l'unité au besoin pour un réglage de combustion moyen ou faible.

Pour une combustion moyenne, une fois que la charge de combustible à combustion élevée est brûlée jusqu'à un lit de charbon établi, chargez l'unité avec 31 à 32 lb de corde et gardez la porte légèrement ouverte pendant 2 minutes. Après deux minutes, fermez la porte. Gardez le toboggan secondaire complètement ouvert pendant 10 minutes puis fermez-le complètement et réglez le toboggan primaire à moitié fermé. Au moment de 15 minutes de votre carburant, la glissière d'air primaire doit être réglée sur le réglage moyen qui est d'environ 1/2 pouce ouvert à partir de la position complètement fermée.



Pour un réglage de combustion faible une fois que la charge de combustible à combustion élevée (ou moyenne) est brûlée jusqu'à un lit de charbon établi, chargez l'unité avec 31 à 32 lb de bois de corde et laissez la porte ouverte pendant deux minutes. Après deux minutes, fermez la porte. Gardez le toboggan secondaire complètement ouvert pendant 10 minutes puis fermez-le complètement et réglez le toboggan primaire à moitié fermé. Au moment de 15 minutes de chargement de votre carburant, la glissière d'air primaire doit être réglée sur le réglage bas qui tire complètement la glissière d'air vers vous. **REMARQUE:** ne fermez pas l'air trop rapidement. Fermer l'air trop rapidement fera fumer l'appareil.



savoir si le bois est prêt à brûler est de vérifier les extrémités des pièces. Si des fissures rayonnent dans toutes les directions à partir du centre, le bois doit être suffisamment sec pour brûler. Si votre bois grésille dans le feu, même si la surface est sèche, il se peut qu'il ne soit pas complètement durci et devrait être séché plus longtemps. Il est **EXTRÊMEMENT IMPORTANT** d'utiliser du BOIS SEC uniquement dans votre poêle à bois. Le bois doit avoir séché pendant 9 à 15 mois, de sorte que la teneur en humidité (en poids) soit réduite en dessous de 20% du poids de la bûche. Il est très important de garder à l'esprit que même si le bois a été coupé pendant un, deux ans ou même plus, il n'est pas nécessairement sec s'il a été stocké dans de mauvaises conditions. Dans des conditions extrêmes, il peut pourrir au lieu de sécher. Ce point ne peut pas être surestimé; la grande majorité des problèmes liés au fonctionnement d'un poêle à bois est due au fait que le bois utilisé était trop humide ou avait séché dans de mauvaises conditions. Ces problèmes peuvent être:

- problèmes d'allumage
- accumulation de créosote provoquant des feux de cheminée
- faible rendement énergétique
- fenêtres noircies
- combustion de bûches incomplète

Ne brûlez pas de bûches fabriquées à partir de sciure de bois imprégnée de cire ou de bûches contenant des additifs chimiques. Les bûches fabriquées à 100% de sciure compressée peuvent être brûlées, mais soyez prudent en brûlant trop de ces bûches en même temps. Commencez avec une bûche fabriquée et voyez comment le poêle réagit. Vous pouvez augmenter le nombre de bûches brûlées à la fois, mais assurez-vous que la température ne dépasse jamais 475 ° F (246 ° C) sur un thermomètre magnétique pour une installation sur des tuyaux de poêle à pari simple. Le thermomètre doit être placé à environ 18 "(457 mm) au-dessus du poêle. Des températures plus élevées peuvent entraîner une surchauffe et endommager votre poêle.



TESTER VOTRE BOIS

- Lorsque le poêle est bien réchauffé, placez un morceau de bois fendu (environ cinq pouces de diamètre) parallèle à la porte sur le lit de braises rouges.
- Gardez la commande d'air complètement ouverte et fermez la porte. Si le bois s'enflamme dans les 90 secondes suivant le moment où il a été placé dans le poêle, votre bois est correctement séché. Si l'allumage prend plus de temps, votre bois est humide.
- Si votre bois siffle et que de l'eau ou de la vapeur s'échappe aux extrémités de la pièce, votre bois est trempé ou fraîchement coupé (vert). N'utilisez pas ce bois dans votre poêle. De grandes quantités de créosote pourraient se déposer dans votre cheminée, créant des conditions potentielles pour un feu de cheminée.

NOTIFICATION - LES PREMIERS FEUX POUR SÉCHER LA PEINTURE

Les rendements peuvent être basés sur la valeur calorifique inférieure (LHV) ou la valeur calorifique supérieure (HHV) du combustible. La valeur calorifique inférieure est lorsque l'eau quitte le processus de combustion sous forme de vapeur, dans le cas des poêles à bois, l'humidité du bois brûlé quitte le poêle sous forme de vapeur. Le pouvoir calorifique supérieur est lorsque l'eau quitte le processus de combustion complètement condensée. Dans le cas des poêles à bois, cela supposerait que les gaz d'échappement sont à température ambiante à la sortie du système, et donc les calculs utilisant cette valeur de chauffage considèrent la chaleur qui monte dans la cheminée comme une énergie perdue. Par conséquent, l'efficacité calculée en utilisant le pouvoir calorifique inférieur du bois sera supérieure à l'efficacité calculée en utilisant le pouvoir calorifique supérieur. La meilleure façon d'atteindre des rendements optimaux est d'apprendre les caractéristiques de combustion de votre appareil et de brûler du bois bien séché. Des taux de combustion plus élevés ne sont pas toujours les meilleurs taux de combustion par chauffage; après avoir établi un bon feu, un taux de combustion inférieur peut être une meilleure option pour un chauffage efficace. Un taux de combustion inférieur ralentit le flux de chaleur utilisable hors de la maison par la cheminée, et il consomme également moins de bois.

EFFICACITÉ

Ce chauffage au bois a un taux de combustion minimum réglé à la fabrication, et qui ne peut être modifié. La modification de ce réglage ou une utilisation autre de ce chauffage au bois qui ne respecterait pas les directives du présent manuel contrevient aux réglementations fédérales.

ALTÉRER AVERTISSEMENT

À CAUSE DES HAUTES TEMPÉRATURES ATTEINTES LORS DU FONCTIONNEMENT, CET APPAREIL EST REVÊTU D'UNE PEINTURE SPÉCIALE CONÇUE POUR LES HAUTES TEMPÉRATURES. ELLE EXIGE UNE SÉRIE DE FEUX À INTENSITÉ BASSE ET MOYENNE POUR SÉCHER ENTièrement ET AINSI GARANTIR LA DURABILITÉ ET LA VIE DE SERVICE. Le séchage correct de la peinture à haute température exige une série de trois feux initiaux. L'appareil devrait être refroidi entre chaque feu. Les deux premiers feux devraient être des petits feux à température basse (250°F) pour une durée de 20 minutes chacun. Le troisième feu devrait être à une température moyenne (500°F à 700°F) pendant 20 minutes. Aérez de façon suffisante pour éliminer la fumée ou les odeurs causées par ces feux.

Remarque: utilisez uniquement du bois de chauffage solide! Ne brûlez pas les ordures ou les liquides inflammables. N'utilisez pas de charbon. Cet appareil n'est pas conçu pour accueillir le débit d'air (tirage) requis pour brûler correctement le charbon ou les produits du charbon. Ne pas élever le feu à l'aide de grilles ou de fers. Construisez le feu directement sur la brique réfractaire.

NE JAMAIS UTILISER CE PRODUIT SANS SURVEILLANCE

UTILISATION DU POËLE À BOIS

Votre appareil de chauffage a été conçu pour brûler uniquement du bois naturel bien séché; aucun autre matériau ne doit être brûlé. N'importe quel type de bois naturel bien séché peut être utilisé dans votre poêle, mais certaines variétés ont de meilleurs rendements énergétiques que d'autres. Des rendements plus élevés et des émissions plus faibles résultent généralement de la combustion de bois durs séchés à l'air, par rapport aux résineux ou aux feuillus trop verts ou fraîchement coupés. Les ressources suivantes peuvent aider à apprendre les caractéristiques de combustion de diverses essences de bois: <http://firewoodresources.com/firewood-btu-ratings/>; ou <https://www.nsn.us/forests-products/wood-heating>. Le fonctionnement de ce poêle à bois d'une manière non conforme au manuel du propriétaire annulera votre garantie et est également contraire à la réglementation fédérale. Les déchets et autres matériaux inflammables ne doivent pas être brûlés dans votre poêle. NE BRÛLEZ PAS:

1. Des ordures;
2. Des déchets de tonte ou résidus de jardin;
3. Des matériaux contenant du caoutchouc, incluant les pneus;
4. Matériaux contenant du plastique;
5. Des déchets de produits du pétrole, des peintures ou diluants à peinture, ou des produits d'asphalte;
6. Matériaux contenant de l'amiante;
7. Débris de construction ou de démolition;
8. Traverses de voie ferrée ou bois traité sous pression;
9. Fumier ou restes d'animaux;
10. Bois de grève en eau salée ou autres matériaux précédemment saturés par de l'eau salée;
11. Bois non séché; ou
12. Produits du papier, carton, contreplaqué, ou panneau de particules. L'interdiction de brûlage de ces matériaux n'interdit pas l'utilisation d'allume-feu composés de papier, carton, sciure de bois, cire et substances similaires, aux fins de démarquer le feu dans un chauffage au bois modifié.

La combustion de ces matériaux peut entraîner la libération de fumées toxiques ou rendre le radiateur inefficace et provoquer de la fumée. Le bois mort posé sur le sol forestier doit être considéré comme humide et nécessite un temps de séchage complet. Le bois mort sur pied peut généralement être considéré comme environ 2/3 assaisonné. Les petits morceaux de bois séchent plus rapidement. Toutes les bûches de plus de 6 po de diamètre doivent être fendues. Le bois ne doit pas être stocké directement sur le sol. L'air devrait circuler dans les bûches. Un espace d'air de 24 po à 48 po doit être laissé entre chaque rangée de bûches, qui doivent être placées à l'endroit le plus ensolé possible. La couche supérieure de bois doit être protégée de l'élément mais pas des côtés. Un bon indicateur pour

PRÉCAUTIONS DE SÉCURITÉ LORS DE L'UTILISATION

- NE JAMAIS SURCHAUFFER CET APPAREIL EN FAISANT DES FEUX EXCESSIVEMENT CHAUDS, CAR UN INCENDIE POURRAIT EN RÉSULTER DANS UNE MAISON OU UN BÂTIMENT. VOUS SURCHAUFFEZ L'APPAREIL S'IL COMMENCE À BRILLER OU À DEVENIR ROUGE.
- NE JAMAIS FAIRE DE FEUX EXCESSIVEMENT GRANDS DANS CE TYPE D'APPAREIL, CAR CELA POURRAIT ENDOMMAGER LA CHAMBRE DE COMBUSTION OU PROVOQUER UNE FUIITE DE FUMÉE.
- NE FAITES PAS DE FEU TROP PRÈS DU VERRE.
- CHAUD PENDANT LE FONCTIONNEMENT. ÉLOIGNEZ LES ENFANTS, LES VÊTEMENTS ET LES MEUBLES. LE CONTACT PEUT PROVOQUER DES BRÛLURES CUTANÉES. NE TOUCHEZ PAS L'APPAREIL TANT QU'IL N'A PAS REFROIDI.
- FOURNIR UN AIR SUFFISANT POUR LA COMBUSTION DANS LA PIÈCE OÙ L'APPAREIL EST INSTALLÉ.
- INSPECTEZ LE REVÊTEMENT DE CHEMINÉE TOUS LES 60 JOURS. REMPLACEZ IMMÉDIATEMENT LA DOUBLURE SI ELLE ROUILLE OU SI DE LA FUMÉE FUT DANS LA PIÈCE.
- LES TENTATIVES POUR ATTEINDRE DES TAUX DE PRODUCTION DE CHALEUR QUI DÉPASSENT LES SPÉCIFICATIONS DE CONCEPTION DU RÉCHAUFFEUR PEUVENT ENTRAÎNER DES DOMMAGES PERMANENTS AU RÉCHAUFFEUR.

AVERTISSEMENT: RISQUE D'EXPLOSION

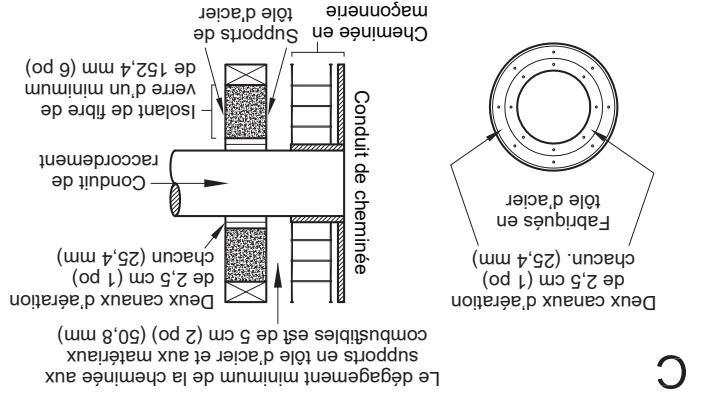
- N'UTILISEZ JAMAIS DE PRODUITS CHIMIQUES, ESSENCE, CARBURANT DE LANTERNE DE TYPE RAPIDE POUR CHARBON OU FLUIDES SIMILAIRES INFLAMMABLES POUR COMMENCER OU BIEN ATTISER UN FEU DANS L'APPAREIL.
- GARDEZ LES LIQUIDES INFLAMMABLES, SURTOUT L'ESSENCE, ÉLOIGNÉS DE L'APPAREIL - QUE CE SOIT DANS UN BUT D'UTILISATION OU DE STOCKAGE.

DÉPÔTS: RISQUES D'INCENDIE MAISON

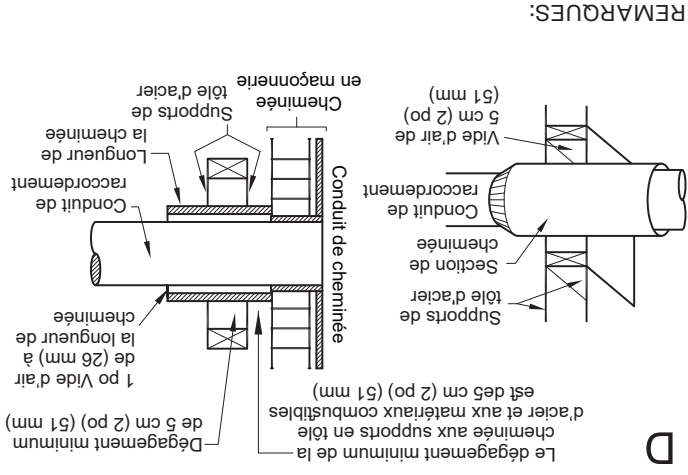
- NE CONSERVEZ PAS LE BOIS SUR UN PROTECTEUR DE PLANCHER, SOUS LES TUYAUX DE POËLE OU N'IMPORTE O DANS LES DÉGAGEMENTS DES SURFACES COMBUSTIBLES SPÉCIFIÉES POUR CET APPAREIL.
- NE JAMAIS FAIRE FONCTIONNER AVEC DES TUBES SECONDAIRES, UN CARTON DE FIBRE OU UNE ISOLATION RETIRÉE.

(de 2 pouces [51 mm] plus grand que celui de 6 po [152,4 mm]). Utilisez celle-ci comme passage pour un raccord de cheminée métallique de calibre 24 (0,024 po [0,61 mm]), et un manchon mural ventilé de calibre 24 minimum ayant deux conduits d'air de 1 po (25,4 mm) chacun, construisiez un passage à travers la paroi. Il devra y avoir une zone de séparation de 6 po (152,4 mm) minimum contenant une isolation en fibre de verre, à partir de la surface extérieure du manchon mural jusqu'aux matériaux combustibles de la paroi. Soutenez le manchon mural et couvrez son ouverture avec un support métallique en tôle de calibre 24 minimum. Maintenez un espace de 6 po (152,4 mm). Il devra également y avoir un support dimensionné pour adapter et maintenir le raccord de cheminée métallique. Vérifiez que les supports soient fixés de façon sûre aux surfaces de la paroi sur tous les côtés. Assurez-vous que les éléments de fixation utilisés pour maintenir le raccord de cheminée métallique ne pénétrant pas dans le revêtement du carneau de la cheminée.

Méthode C. Dégagement de 6 po (152,4 mm) avec un membre de paroi combustible: En commençant avec un raccord de cheminée métallique de 6 po (152,4 mm) de calibre 24 (0,024 po [0,61 mm]), et un manchon mural ventilé de calibre 24 minimum ayant deux conduits d'air de 1 po (25,4 mm) chacun, une isolation en fibre de verre, à partir de la surface extérieure du manchon mural jusqu'aux matériaux combustibles de la paroi. Soutenez le manchon mural et couvrez son ouverture avec un support métallique en tôle de calibre 24 minimum. Maintenez un espace de 6 po (152,4 mm). Il devra également y avoir un support dimensionné pour adapter et maintenir le raccord de cheminée métallique. Vérifiez que les supports soient fixés de façon sûre aux surfaces de la paroi sur tous les côtés. Assurez-vous que les éléments de fixation utilisés pour maintenir le raccord de cheminée métallique ne pénétrant pas dans le revêtement du carneau de la cheminée.



Méthode D. Dégagement de 2 po (50,8 mm) avec un membre de paroi combustible: Commencez avec une partie de cheminée Solid-Pak fabriquée en usine, agrée, d'au moins 12 po (304 mm) de diamètre intérieur avec une isolation de 1 po (25,4 mm) ou plus, et un raccord de cheminée de 8 po de diamètre intérieur



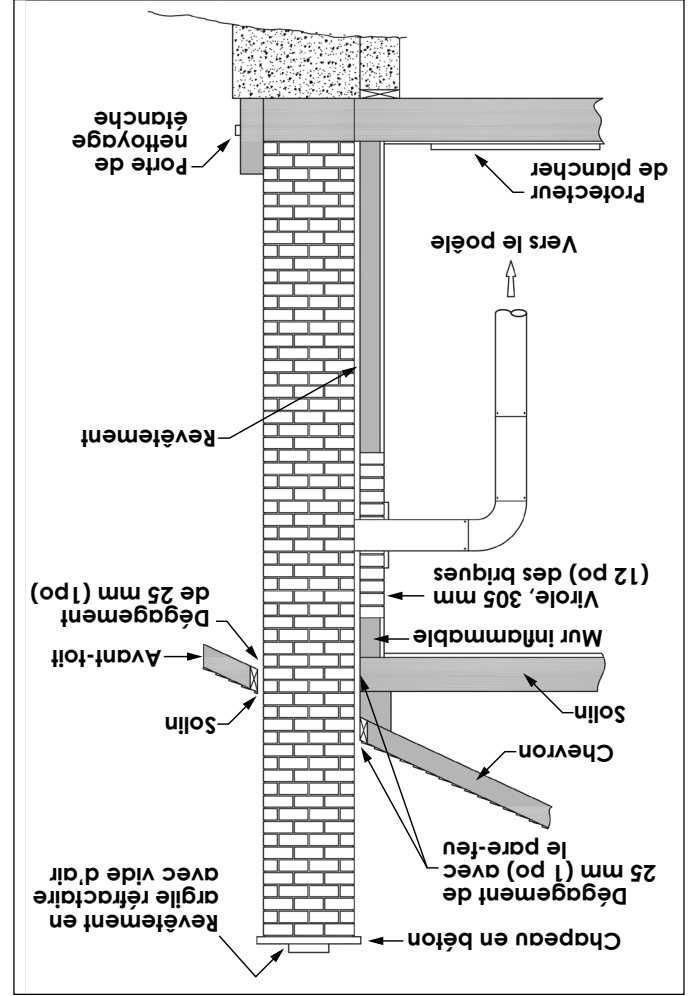
REMARQUES:

- Les raccords d'une cheminée de maçonnerie, sauf ceux de la méthode B, devront s'étendre sur une section continue à travers le système de passage mural et la paroi de la cheminée, jusqu'à la surface du revêtement intérieur du carneau mais sans le dépasser.
- Un raccord de cheminée ne devra pas passer à travers un grenier ou un espace du toit, des toilettes ou des espaces confinés similaires, un plancher ou un plafond.

structure tel que recommandé par le fabricant. La cheminée doit avoir la hauteur requise au-dessus du toit ou d'autres obstructions pour des raisons de sécurité et un bon tirage.

CHEMINÉE EN MAÇONNERIE

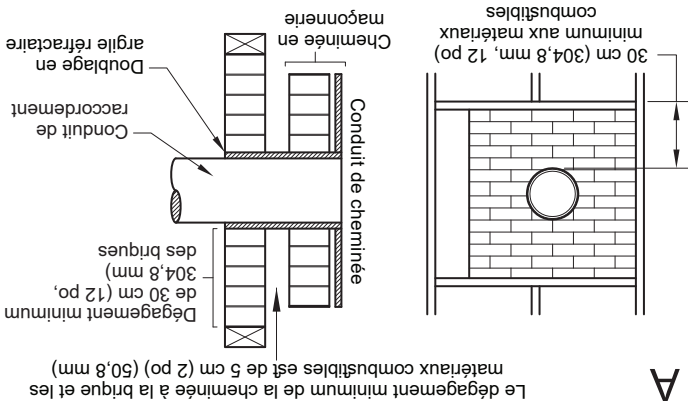
Assurez-vous qu'une cheminée en maçonnerie répond aux standards minimum de l'Association nationale de protection contre les incendies (NFPA) en la faisant inspecter par un professionnel. Assurez-vous qu'il n'y ait pas de fissures, de mortiers perdus ou d'autres signes de détérioration et de blocage. Faites nettoyer la cheminée avant d'installer et de fonctionner le poêle. Lors du raccordement du poêle à travers une paroi combustible vers une cheminée en maçonnerie, des méthodes spéciales sont requises.



PASSAGÉS DE RACCORDEMENT DE CHEMINÉE À TRAVERS UNE PAROI COMBUSTIBLE

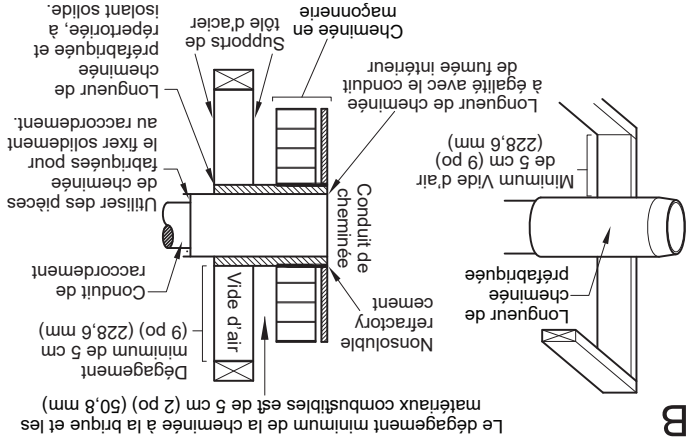
Méthode A. Dégagement de 12 po (304,8 mm) avec un membre de paroi combustible: En utilisant des briques d'une épaisseur minimale de 3,5 po (89 mm) et un revêtement en argile d'une épaisseur minimale de 5/8 po (15,9 mm), construisez un passage à travers la paroi. Le revêtement en argile doit être conforme à l'ASTM C315 (Spécification standard des

revêtements réfractaires en argile) ou son équivalent. Maintenez un minimum de 12 po (304,8 mm) de maçonnerie en briques entre le revêtement en argile et les matières combustibles de la paroi. Le revêtement en argile devra s'étendre de la surface extérieure de la maçonnerie en briques jusqu'à la surface intérieure du revêtement du carneau de la cheminée mais pas au-delà de la surface intérieure. Coulez ou cimentez fermement le revêtement en argile en place dans le revêtement du carneau de la cheminée.



A

Méthode B. Dégagement de 9 po (228,6 mm) avec un membre de paroi combustible: En utilisant une partie de cheminée Solid-Pak fabriquée en usine, agréeée, de 6 po (152,4 mm) de diamètre intérieur avec une isolation de 1 po (25,4 mm) ou plus, construisez un passage à travers la paroi avec une couche d'air de 9 po (228,6 mm) minimum entre la paroi extérieure de la longueur de la cheminée et les matières combustibles de la paroi. Utilisez des supports en tôle fixés de façon sûre aux surfaces de la paroi sur tous les côtés afin de maintenir une couche d'air de 9 po (228,6 mm). Lors de la fixation des supports sur la longueur de la cheminée (la paroi intérieure de la cheminée Solid-Pak devra affleurer l'intérieur du carneau de la cheminée en maçonnerie, et être scellée avec un ciment réfractaire non soluble dans l'eau. Utilisez ce ciment pour également caftéurer la pénétration de la maçonnerie en briques.

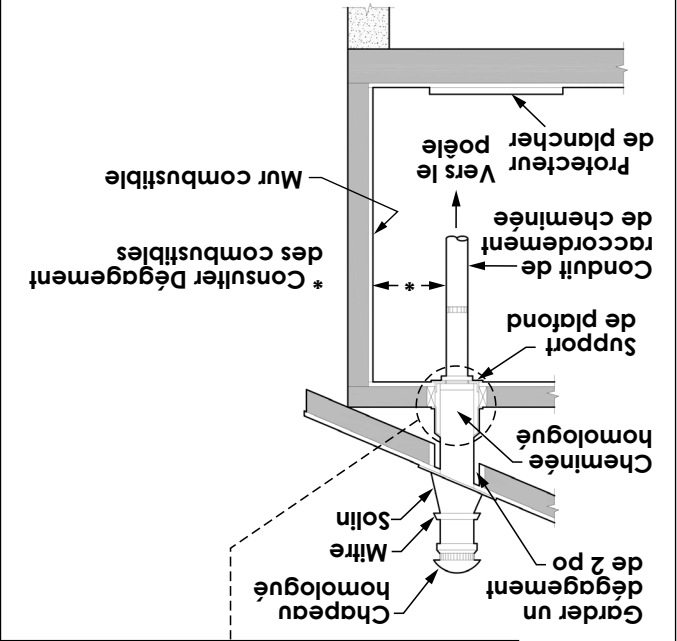
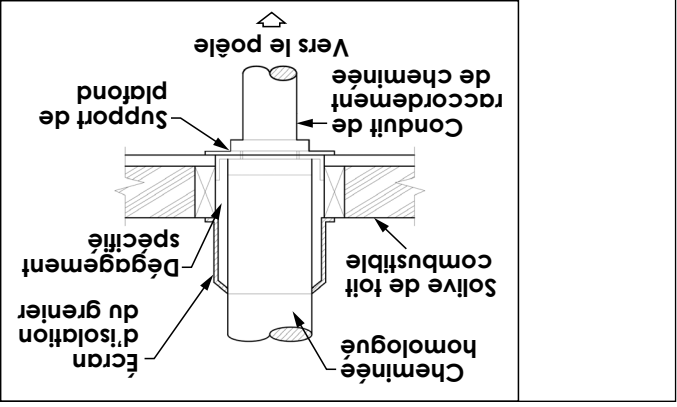


B

Le dégagement minimum de la cheminée à la brique et les matériaux combustibles est de 5 cm (2 po) (50,8 mm)

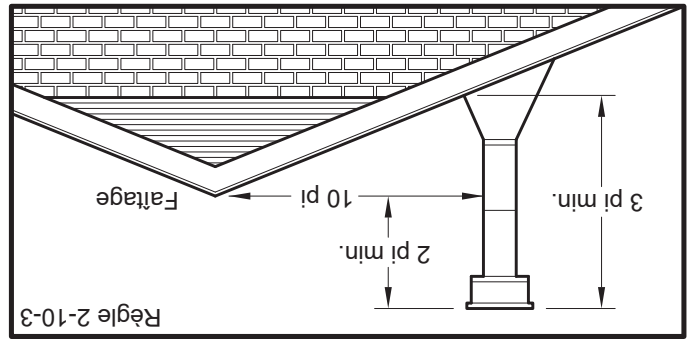
- préférable à une cheminée extérieure. En effet, la cheminée intérieure, sera, par définition, plus chaude qu'une cheminée extérieure, étant donné qu'elle est chauffée par l'air ambiant de la maison. Par conséquent, le gaz qui circule se refroidira plus lentement, réduisant ainsi l'accumulation de créosote et le risque de feu de cheminée.
5. Le tirage entraîné par la tendance de l'air chaud à s'élever sera augmenté avec une cheminée intérieure.
6. L'utilisation d'un pare-feu à l'extrémité de la cheminée requiert une inspection régulière afin de garantir qu'il n'est pas obstrué, bloquant donc le tirage et devra être nettoyé lorsqu'il est utilisé régulièrement.

CHEMINÉE FABRIQUÉE EN USINE



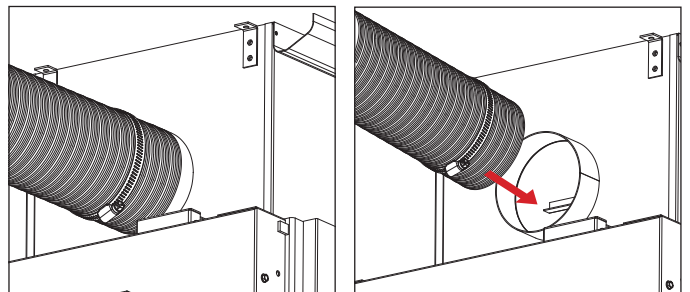
de la longueur de la cheminée, son emplacement géographique local, les obstructions à proximité et d'autres facteurs. Trop de tirage peut causer des températures excessives dans l'appareil et pourrait l'endommager. Un tirage inadéquat peut causer des retours de fumée dans la pièce et causer l'obturation de la cheminée. Un tirage inadéquat causera des fuites de fumée par l'appareil dans la pièce, s'infiltrant par l'appareil, et les joints du conduit de raccordement. Un brûlage incontrôlable ou une température excessive indique un tirage excessif.

CHEMINÉE



- Votre poêle à bois peut être raccordé à une cheminée préfabriquée de 6 po ou en maçonnerie. Si vous utilisez une cheminée préfabriquée, elle doit être conforme à la norme UL 103 ou GSA-B365; il doit donc s'agir d'un type HT (2100 ° F). Il doit être installé conformément aux spécifications du fabricant. Tenez compte de l'emplacement de la cheminée pour vous assurer qu'elle n'est pas trop près des voisins ou dans une vallée, ce qui peut causer des conditions insalubres ou nuisibles. Si vous utilisez une cheminée en maçonnerie, elle doit être construite conformément aux spécifications du Code national du bâtiment. Il doit être recouvert de briques d'argile réfractaire, de tuiles métalliques ou d'argile scellées avec du ciment réfractaire. Les conduits ronds sont les plus efficaces. Le diamètre intérieur du conduit de cheminée doit être identique à celui de l'évacuation des fumées du poêle. Un conduit trop petit peut poser des problèmes de tirage, tandis qu'un gros conduit favorise un refroidissement rapide du gaz, et donc l'accumulation de créosote et le risque d'incendies de cheminée. Notez que c'est la cheminée et non le poêle qui crée l'effet de tirage; la performance de votre poêle dépend directement d'un tirage adéquat de votre cheminée. **Ne raccordez pas cet appareil à un conduit de cheminée desservant un autre appareil.** Les recommandations suivantes peuvent être utiles pour l'installation de votre cheminée:
1. Ne connectez pas cette unité à un carneau de cheminée utilisé par un autre appareil.
 2. Elle doit s'élever au-dessus du toit d'au moins 3 pi (0,9 m) à partir du point le plus haut de contact.
 3. La cheminée doit dépasser toute partie de la construction ou autre obstruction à moins de 10 pi (3,04 m) d'une hauteur de 2 pi (0,6 m).
 4. L'installation d'une cheminée intérieure est toujours

- La maison est équipée d'un pare-vapeur parfaitement étanche et de fenêtres bien ajustées et/ou dispose d'appareils électriques qui expulsent l'air de la maison.
- Il y a une condensation excessive sur les vitres en hiver.
- Un système de ventilation est installé dans la maison.



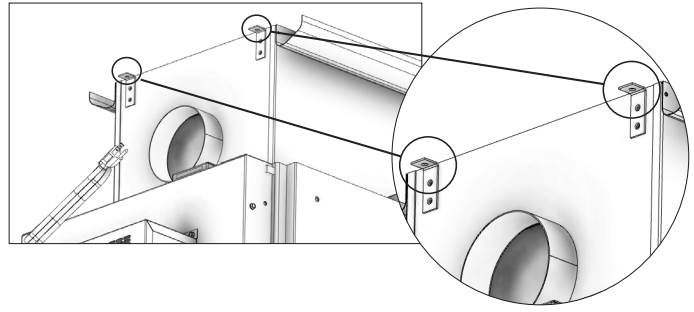
Faites glisser le collier de serrage sur le tuyau flexible en aluminium. Ensuite, glissez le tuyau flexible sur le tube d'admission d'air du poêle. Serrez ensuite le collier de serrage sur l'extrémité du tuyau flexible en aluminium.

POUR UTILISATION DANS DES MAISONS MOBILES «INSTALLATIONS AUX É.-U. UNIQUEMENT»:

- ATTENTION! NE PAS INSTALLER DANS LA CHAMBRE À COUCHER.
- MISE EN GARDE! L'INTÉGRITÉ STRUCTURELLE DU PLANCHER, DU MUR ET DU PLAFOND / DU TOIT DE LA MAISON MOBILE DOIT ÊTRE MAINTENUE.
- INSTALLER CONFORMÈMENT AU 24 CFR, PARTIE 3280 «HUD».
- UTILISEZ UNE CHEMINÉE FABRIQUÉE EN USINE ET CONFORME AUX NORMES UL 103. CELA DOIT DONC ÊTRE UN TYPE HT «2100°F».
- UTILISEZ UN AGRESSEUR À ÉTINCELLES
- LE POÊLE DOIT ÊTRE FIXÉ À LA STRUCTURE DE LA MAISON MOBILE. UTILISEZ LES DEUX «2» TROUS AU FOND DU PIÉDESTAL DE LA RADIATEUR POUR FIXER L'APPAREIL AU SOL.

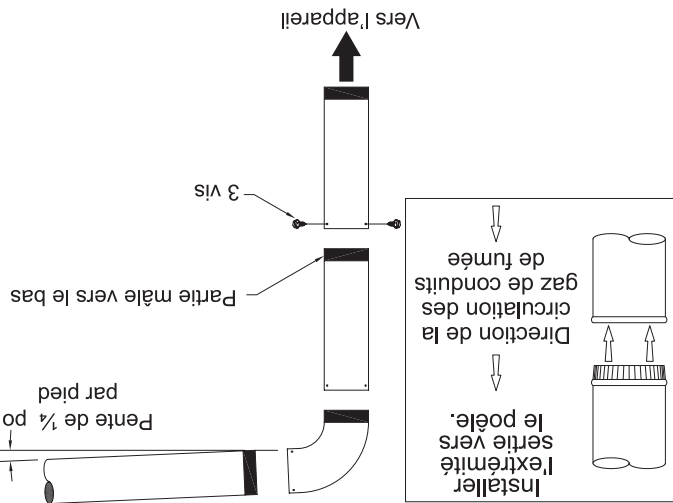
FIXEZ L'APPAREIL AU SOL

Utilisez les trous désignés pour fixer l'unité au sol.



RACCORD DE CHEMINÉE (TUYAU PLISSÉ)

En plus des exigences d'installation précédemment détaillées, le radiateur doit être mis à la terre électriquement au châssis en acier de la maison mobile avec un fil de cuivre 8 GA à l'aide d'une rondelle dentelée ou en étoile pour pénétrer la peinture ou le revêtement de protection pour assurer la mise à la terre.



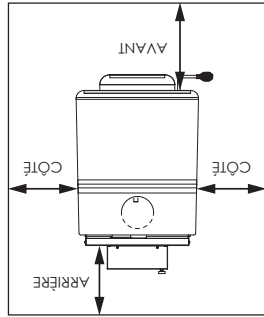
Le raccord de cheminée et la cheminée doivent avoir le même diamètre que la sortie du poêle (6"). Si ce n'est pas le cas, nous vous recommandons de contacter votre revendeur pour vous assurer qu'il n'y aura pas de problème avec le tirage. Le tuyau de poêle doit être en acier aluminisé ou laminé à froid et avoir une épaisseur minimale de 0,021 po ou 0,53 mm. Il est strictement interdit d'utiliser de l'acier galvanisé. Le tuyau de fumée doit être assemblé pour favoriser la section mâle (extrémité sertie) du tuyau à être tournée vers le bas. Fixez chaque section à une autre avec trois vis métalliques espacées d'une distance égale. Le tuyau doit être court et droit. Toutes les sections installées horizontalement doivent être inclinées d'au moins 1/4 de pouce par pied, avec l'extrémité supérieure de la section vers la cheminée. Toute installation avec un tuyau de cheminée horizontal doit être conforme à la norme NFPA 211. Pour assurer un bon tirage, la longueur totale du tuyau de couplage ne doit jamais dépasser 8 pi à 10 pi (2,4 m à 3,04 m). Sauf pour les cas d'installation verticale, dans un style toit cathédrale où le système d'évacuation des fumées peut être beaucoup plus long et raccordé sans problème à la cheminée au plafond de la pièce. Il ne devrait jamais y avoir plus de deux coudes à 90 degrés dans le système d'évacuation des fumées. L'installation d'un «stabilisateur de tirage barométrique» (registre de cheminée) sur un système d'évacuation des fumées est interdite. De plus, l'installation d'un registre de tirage n'est pas recommandée. Avec un poêle à bois à combustion contrôlée, le tirage est réglé à l'entrée de l'air de combustion dans le poêle et non à l'échappement.

IMPORTANT D'UN TIRAGE ADEQUAT

Le tirage est une force déplaçant l'air de l'appareil vers la cheminée. La quantité de tirage dans votre cheminée dépend

PROTECTEUR DE SOL

Cet appareil de chauffage doit avoir un protecteur de sol incompatible avec une valeur R d'au moins 1,2 installée en dessous de celui-ci si le sol est construit en matériau combustible. Si un tampon de sol est utilisé, il doit être répertorié UL ou équivalent. Le protecteur de sol doit être suffisamment grand pour s'étendre sous le poêle et au-delà de chaque côté, comme indiqué. S'il y a un conduit de cheminée horizontal, il doit y avoir une protection du plancher dessous qui s'étend de deux pouces au-delà de chaque côté du tuyau.



Avant	18 po	458 mm
Arrière	8 po	204 mm
Côtés	8 po	204 mm

DÉGAGEMENTS AUX COMBUSTIBLES

Il est de la plus haute importance que les dégagements aux matériaux combustibles soient strictement respectés lors de l'installation du poêle.

- La hauteur du sol au plafond doit être d'au moins 7 pi (2,13 m) dans tous les cas.

- Ne placez aucun matériau combustible à moins de 4 pi (1,2 m) de l'avant de l'appareil.

- Le jeu entre le conduit de fumée et un mur n'est valable que pour les murs verticaux et pour le conduit de fumée vertical.

- S'il y a un tuyau horizontal de conduit de fumée, il doit y avoir au moins 18 po de dégagement entre le tuyau et le plafond. Il doit également y avoir une protection de plancher sous le conduit horizontal qui s'étend de 2 po au-delà de chaque côté

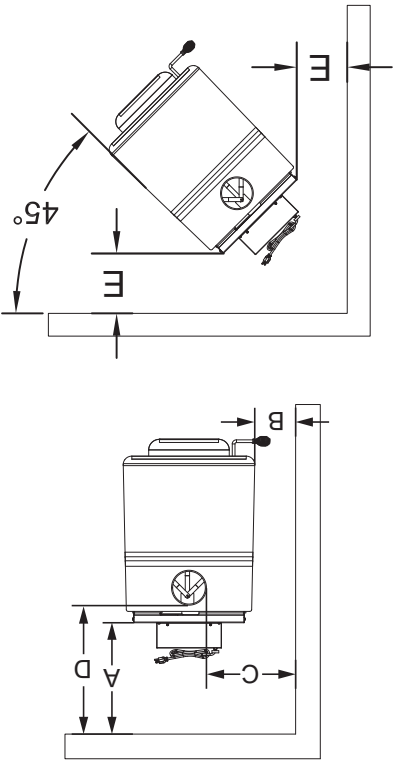
- Le raccord de cheminée ne doit pas traverser un grenier ou un espace sur le toit, un placard ou un espace dissimulé similaire, un plancher ou un plafond.

- Pour les installations canadiennes, où le passage à travers un mur ou une cloison de construction combustible est souhaité, l'installation doit être conforme à la norme CAN / CSA-B365.

- Un conduit de fumée traversant un mur combustible doit avoir un dégagement minimum de 18 po (458 mm).

- Pour réduire les dégagements du conduit de fumée par rapport aux matériaux combustibles, contactez votre service de sécurité local.

A	Mur arrière au poêle	17 po	432 mm
B	Paroi latérale au poêle	26 po	661 mm
C	Flanc à conduit	35 po	889 mm
D	Mur arrière au conduit	19 po	483 mm
E	Mur à coin (installation en angle)	18 po	458 mm



AIR DE COMBUSTION EXTÉRIEUR

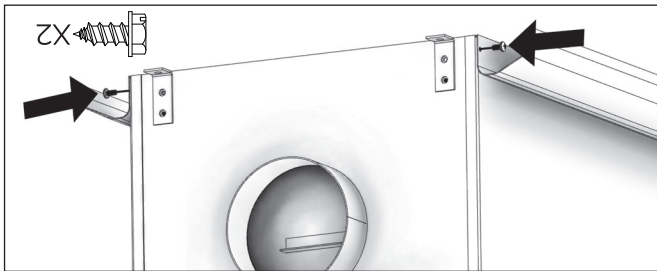
Votre poêle à bois est approuvé pour être installé avec une entrée d'air extérieur «4FAK» nécessaire pour une maison mobile. Ce type d'installation est également requis dans les maisons étanches et les maisons ayant des problèmes de pression négative. Vous pouvez acheter cette option auprès de votre vendeur d'appareils de chauffage. Assurez-vous d'indiquer le numéro de pièce mentionné dans ce livret. Les instructions relatives à l'installation sont fournies avec le kit d'admission d'air. L'air de combustion extérieur peut être requis si :

1. Votre poêle n'aspire pas de façon continue, une dispersion des fumées a lieu, le bois brûle mal, ou des contre-explosions se produisent qu'il y ait ou non des matières combustibles.

2. Les appareils à foyer existants au sein du domicile, tels que des cheminées ou d'autres appareils de chauffage, émettent des odeurs, ne fonctionnent pas correctement, émettent des fumées lorsqu'ils sont ouverts ou des contre-explosions se produisent qu'il y ait ou non des matières combustibles.

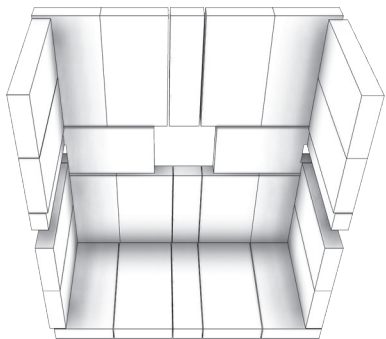
3. Ouvrir légèrement une fenêtre lors d'un jour calme «sans vent» réduit les symptômes ci-dessus.

de 1/4 po aux coins arrière.



**CONFIGURATION DE BRIQUES
REFRACTAIRES**

Remplacez la brique réfractaire comme indiqué sur l'illustration.



INSTALLATION

AVIS DE SÉCURITÉ:


- L'INSTALLATION INCORRECTE DE CE POÊLE POURRAIT ENTRAÎNER L'INCENDIE DU DOMICILE. AFIN DE RÉDUIRE LE RISQUE D'INCENDIE, RESPECTEZ LES INSTRUCTIONS D'INSTALLATION. NE PAS RESPECTER LES INSTRUCTIONS PEUT ENTRAÎNER DES DOMMAGES MATÉRIELS, DES BLESSURES PERSONNELLES VOIRE LA MORT!
- CONSULTEZ LES FONCTIONNAIRES MUNICIPAUX DE CONSTRUCTION OU DE LUTTE CONTRE LES INCENDIES AFIN DE CONNAÎTRE LES LIMITATIONS ET LES EXIGENCES D'INSTALLATION DE VOTRE RÉGION.
- UTILISEZ DES DÉTECTEURS DE FUMÉE DANS LA PIÈCE DANS LAQUELLE LE POÊLE EST INSTALLÉ. MAINTENEZ LE MOBILIER ET LES RIDEAUX ÉLOIGNÉS DU POÊLE.
- N'UTILISEZ PAS D'ESSENCE, DE COMBUSTIBLE LIQUIDE D'ALLUMAGE DE CHARBON OU DE LIQUIDES SIMILAIRES POUR DÉMARRER OU « RAVIVER » UN FEU DANS CE POÊLE. MAINTENEZ TOUS CES LIQUIDES ÉLOIGNÉS DU POÊLE.
- EN CAS D'INCENDIE DE CHEMINÉE, FERMEZ COMPLÈTEMENT LA COMMANDE D'AIR AFIN DE PRIVIER LE FEU D'OXYGÈNE. APPELEZ LES POMPIERS.
- NE CONNECTEZ PAS LE POÊLE À UN CONDUIT OU CIRCUIT DE DISTRIBUTION D'AIR.
- UNE SOURCE D'AIR FRAIS DANS LA PIÈCE OU L'ESPACE CHAUFFÉ DEVRA ÊTRE FOURNIE SI NÉCESSAIRE.

POSITIONNEMENT DU POÊLE

Il est très important de positionner le poêle à bois le plus près possible de la cheminée, et dans un endroit qui favorisera la distribution de chaleur la plus efficace possible dans toute la maison. Le poêle doit donc être installé dans la pièce où est passé le plus de temps, et dans la pièce la plus spacieuse possible. Rappelez-vous que les poêles à bois produisent de la chaleur rayonnante, la chaleur que nous ressentons lorsque nous sommes à proximité d'un poêle à bois. Un poêle à bois fonctionne également par convection, c'est-à-dire par le déplacement de l'air chaud accéléré vers le haut et son remplacement par de l'air plus frais. Si nécessaire, la distribution d'air chaud du poêle peut être facilitée par l'installation d'un ventilateur. Le poêle à bois ne doit pas être raccordé à un système de distribution d'air chaud car une accumulation excessive de chaleur peut se produire. Un poêle à bois ne doit jamais être installé dans un couloir ou à proximité d'un escalier, car il peut bloquer le passage en cas d'incendie ou ne pas respecter les dégagements requis.

US Stove recommande fortement que votre poêle soit installé par un technicien qualifié NFI (US) ou WETT (Canada). Pour trouver l'installateur qualifié le plus proche, accédez à : <https://www.wettinc.ca/> or <https://www.nficertified.org/>


NATIONAL FIREPLACE INSTITUTE



CERTIFIED

www.nficertified.org

We recommend that our woodburning hearth products be installed and serviced by professionals who are certified in the U.S. by the National Fireplace Institute® (NFI) as NFI Woodburning Specialists or who are certified in Canada by Wood Energy Technical Training (WETT).

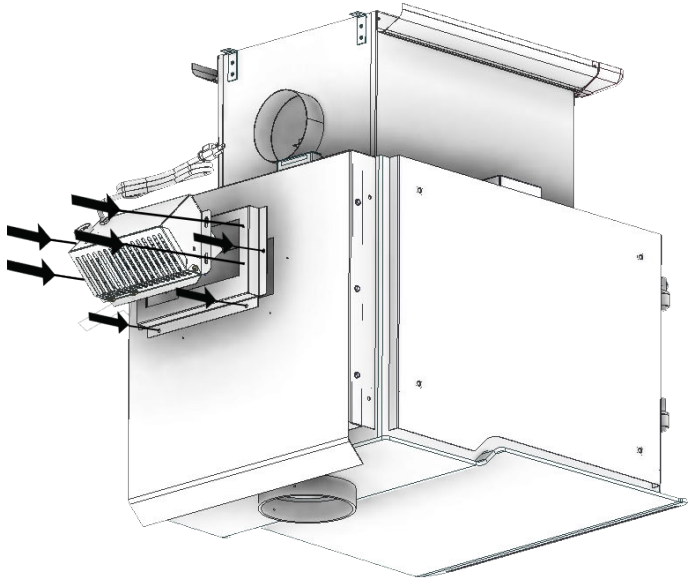


www.wettinc.ca

POUR L'ASSISTANCE TECHNIQUE, APPELEZ: 800-750-2723 EXT 5050

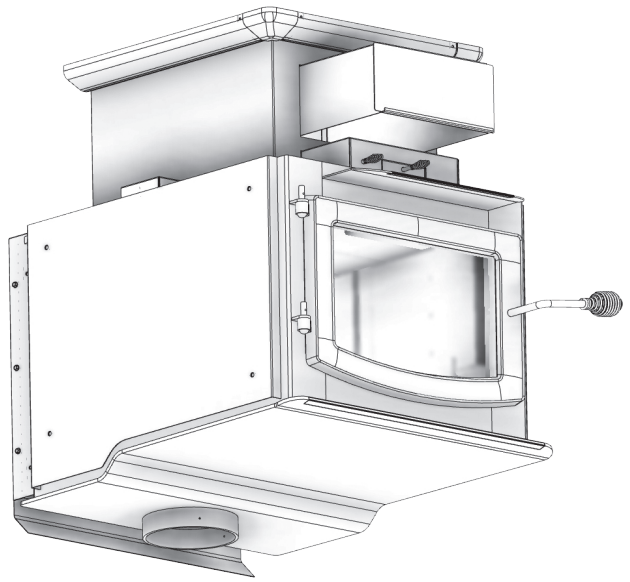
ENSEMBLE DE VENTILATEUR

L'ensemble ventilateur doit être déconnecté de la source d'alimentation électrique avant de tenter l'installation. L'ensemble souffleur est destiné à être utilisé uniquement avec un poêle qui est marqué pour indiquer une telle utilisation. Ne faites pas passer le cordon d'alimentation à proximité ou sur des surfaces chaudes! Fixez l'ensemble à l'arrière du poêle avec les huit vis fournies. **REMARQUE: Le support du ventilateur est inclus dans le cas où un ventilateur est demandé pour cette unité.**



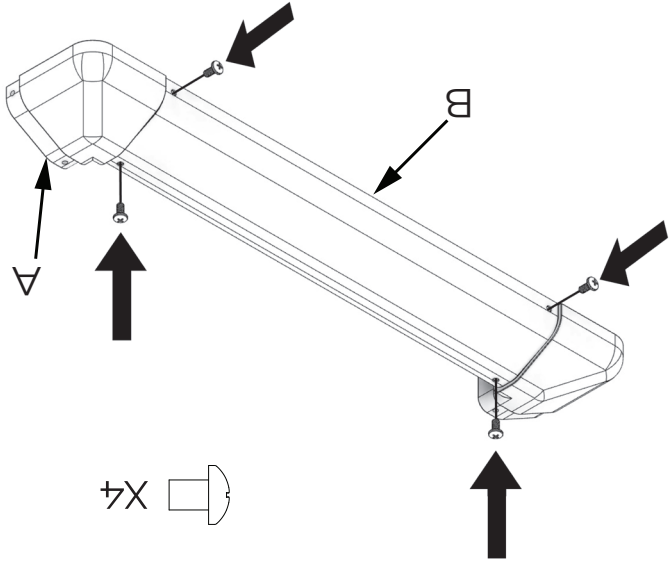
CENDRIER

Le cendrier est situé sous le foyer.

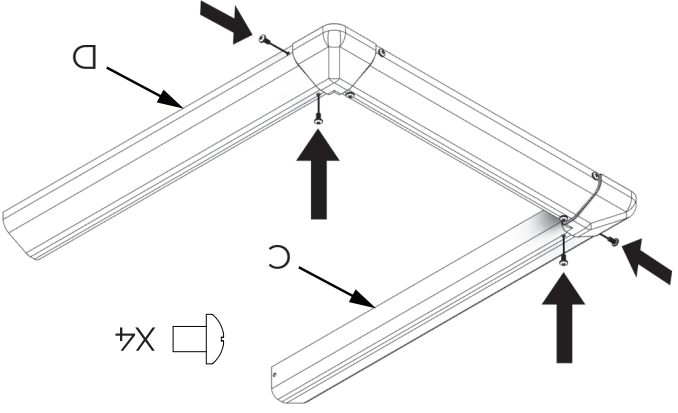


ENSEMBLE DE BASE DE PIÉDESTAL

1. Assemblez la plinthe de la base du socle. Fixez deux pièces d'angle (A) à la section centrale (B) de la plinthe et fixez-les avec quatre (4) vis à tête bombée.



2. Fixez les plinthes latérales (C et D) aux pièces d'angle et fixez-les avec quatre (4) vis à tête bombée.



3. Glissez l'ensemble de plinthe en U autour de la base du socle et fixez-le avec deux vis à tête cylindrique large

Votre poêle à bois ne doit être installé que par un installateur qualifié NFI peut être trouvé à www.nficertified.org/public/find-an-nfi-pro/

ASSISTANCE TECHNIQUE

1-800-750-2723 poste 5050

Texte au 423-301-5624

Envoyez un e-mail à: customerservice@usstove.com

LISTE DE CONTRÔLE DE MISE EN SERVICE

Cette liste de contrôle doit être remplie intégralement par la personne qualifiée qui installe cet appareil. Conservez cette page pour référence future.

Le fait de ne pas installer et mettre en service selon les instructions du fabricant et de remplir cette liste de contrôle annulera la garantie.

S'il te plaît imprime

Nom du client:		Numéro de Téléphone																	
Adresse:																			
Modèle:																			
Numéro de série:																			
Nom de la société d'installation:		Numéro de Téléphone:																	
Nom du technicien d'installation:		Numéro de Licence:																	

DESCRIPTION DU TRAVAIL

Emplacement de l'appareil installé: _____

Système de cheminée: nouveau système de cheminée Oui Non si oui, marque _____

Si non, date d'inspection du système de cheminée existant: _____

MISE EN SERVICE

- Confirmer l'installation du tapis de foyer conformément aux instructions d'installation
- Confirmer le bon placement des pièces internes.....
- Vérifier la solidité du joint de porte et de l'étanchéité de la porte.....
- Confirmer les dégagements aux combustibles selon les instructions d'installation de ce manuel.....
- Vérifier le fonctionnement des commandes pneumatiques
- Confirmer que tous les tuyaux de fumée et le système de cheminée sont sécurisés et scellés.....
- Confirmez que le poêle tire correctement lorsqu'il est allumé.....
- Assurez-vous qu'un avertisseur de CO est installé conformément aux codes du bâtiment locaux et qu'il est fonctionnel.....
- Expliquer le fonctionnement en toute sécurité, l'utilisation appropriée du carburant, le nettoyage et les exigences d'entretien courant

Déclaration d'achèvement: En tant que personne qualifiée responsable des travaux ci-dessus, je confirme que l'appareil en tant que travail associé a été installé conformément aux instructions du fabricant et en suivant les codes de construction et d'installation applicables.

Signé: _____ Nom en lettres moulées _____ Date: _____

Propriétaire du domicile: CONSERVEZ CETTE INFORMATION POUR RÉFÉRENCE FUTURE

Les instructions relatives à l'installation de votre poêle à bois sont conformes aux normes UL-1482 (R2015) et UL-C-S627. Ce manuel décrit l'installation et le fonctionnement du poêle à bois USSC, US3200E. Cet appareil de chauffage respecte les limites d'émission de bois de construction de 2020 de la US Environmental Protection Agency pour les appareils de chauffage au bois vendus après le 15 mai 2020. Dans des conditions de test spécifiques, il a été démontré que cet appareil de chauffage fournit de la chaleur à des taux allant de 19 778 à 67 992 Btu / h avec 1,3 g / h et 71% d'efficacité. Remarque: Les cotes BTU mentionnées ci-dessus sont basées sur le protocole de test EPA dans des conditions de test spécifiques. Nos BTU annoncés sont basés sur la première heure de fonctionnement à un taux de combustion élevé brûlant du bois de corde.

Combustible:	Bois		
Couleurs:	Noir		
Diamètre du tuyau de carneau:	6 po (153 mm)		
Type du tuyau de carneau:	Acier noir ou bronze 2100°F (650°C)		
Hauteur minimale de la cheminée:	12 pi (3,7 m)		
Longueur maximale des bûches:	18 po (458 mm)		
Électrique:	120VAC, 0,55A, 60HZ		
Dimensions			
	Profondeur	Largeur	Hauteur
Général: Profondeur x Largeur x Hauteur:	39 po (995 mm)	24 po (612 mm)	32-1/2 po (826 mm)
Chambre de combustion: Largeur x Profondeur:	18-5/16 po X 22-1/4 po (466 mm X 565 mm)		
Ouverture de la porte: Largeur x Hauteur:	14-3/4 po 9-7/16 po (375 mm X 241 mm)		
Porte en verre pyrocéramique: (Visualisation)	14-9/16 po X 9-5/16 po (369 mm X 237 mm)		

AVERTISSEMENTS:

- CHAUD DURANT LE FONCTIONNEMENT. MAINTENEZ LES ENFANTS, LES VÊTEMENTS ET LE MOBILIER ÉLOIGNÉS.
- TOUT CONTACT PEUT ENTRAÎNER DES BRÛLURES.
- N'UTILISEZ PAS DE PRODUITS CHIMIQUES NI DE FLUIDES POUR DÉMARRER LE FEU.
- NE LAISSEZ PAS LE POÊLE SANS SURVEILLANCE LORSQUE LA PORTE EST LÉGÈREMENT OUVERTE.
- NE BRÛLEZ PAS DE DÉCHETS NI DE FLUIDES INFLAMMABLES TELS QUE L'ESSENCE, LE NAPHTHA OU L'HUILE POUR MOTEUR.
- NE CONNECTEZ PAS LE POÊLE À UN CONDUIT OU CIRCUIT DE DISTRIBUTION D'AIR.
- FERMEZ TOUJOURS LA PORTE APRÈS L'ALLUMAGE.



Remarque: enregistrez votre produit en ligne sur www.usstove.com ou téléchargez l'application gratuite dès aujourd'hui. Cette application est disponible uniquement sur l'App Store pour iPhone et iPad. Recherchez US Stove. Conservez votre reçu avec vos dossiers pour toute réclamation.

Pour le service client, veuillez appeler: 1-800-750-2723 poste 5050 ou; Texte au 423-301-5624 ou; Écrivez-nous à: customerservice@usstove.com

Manuel d'instructions et d'utilisation du propriétaire



Numéro De Modèle:

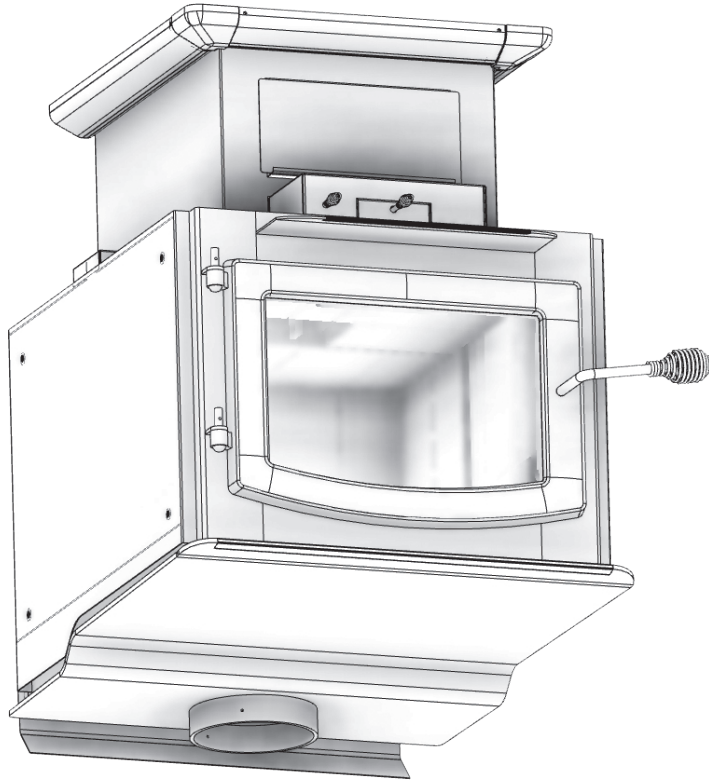
US3200E



Signaler Le Numéro: F20-586

Testé selon les méthodes EPA ALT-125,
ASTM E2515, ASTM E3053 et CSA B415
Certifié UL 1482-2011 (R2015) et
ULC-S627-00-REV1
Approuvé pour l'installation de maisons
mobiles aux (USA UNIQUEMENT)

* Toutes les images de ce manuel sont à des fins d'illustration uniquement. Le produit réel peut varier.



Conservez ces instructions dans un endroit sûr pour référence ultérieure.



AVIS DE SÉCURITÉ: Si ce radiateur n'est pas correctement installé, un incendie peut en résulter. Pour votre sécurité, suivez les instructions d'installation. N'utilisez jamais de compromis de fortune lors de l'installation de ce radiateur. Contactez les responsables locaux du bâtiment ou des pompiers pour connaître les permis, les restrictions et les exigences d'installation dans votre région. NE JAMAIS UTILISER CE PRODUIT SANS SURVEILLANCE.



MISE EN GARDE! Veuillez lire l'intégralité de ce manuel avant d'installer ou d'utiliser votre nouveau radiateur. Le non-respect des instructions peut entraîner des dommages matériels, des blessures corporelles ou même la mort. Une installation incorrecte pourrait annuler votre garantie!

**AGENCE AMÉRICAINE DE PROTECTION
DE L'ENVIRONNEMENT**
Certifié conforme aux normes d'émissions
de particules 2020.

**AVERTISSEMENT SUR LA PROPOSITION 65 DE LA
CALIFORNIE:**
Ce produit peut vous exposer à des produits chimiques, y compris le monoxyde de carbone, qui est connu dans l'État de Californie pour provoquer le cancer, des anomalies congénitales et / ou d'autres troubles de la reproduction. Pour plus d'informations, visitez www.P65warnings.ca.gov

CE MANUEL EST SUJET À MODIFICATION SANS PRÉAVIS.

Owner's Instruction and Operation Manual

VOGELZANG

Model Number:

VG3200-P

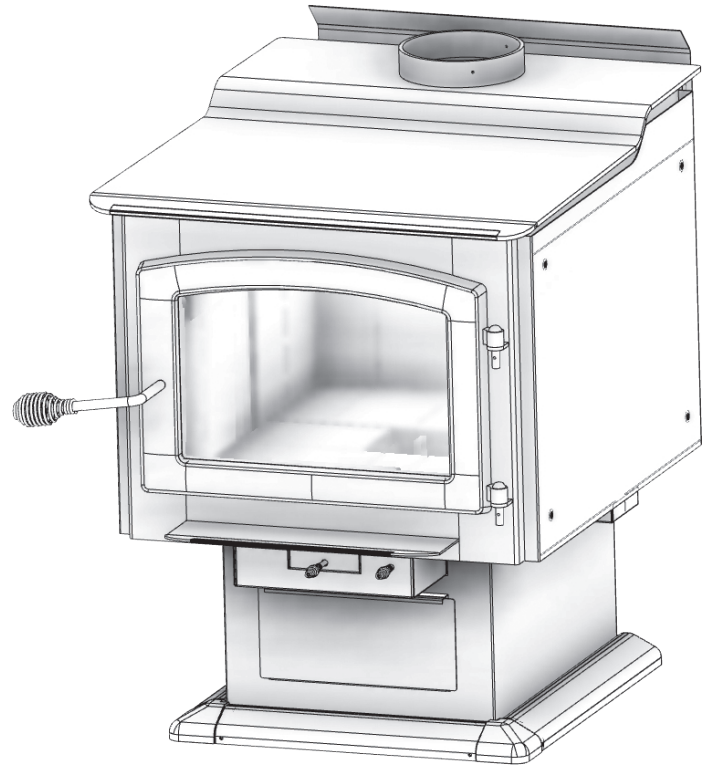


Report Number: F20-586

Tested Per EPA Methods ALT-125, ASTM E2515, ASTM E3053 and CSA B415

Certified to UL 1482-2011 (R2015) and ULC-S627-00-REV1

Approved for mobile home installation in (USA ONLY)



* All Pictures In This Manual Are For Illustrative Purposes Only. Actual Product May Vary.

853745F-3703K

Save These Instructions In A Safe Place For Future Reference.



SAFETY NOTICE: If this heater is not properly installed, a house fire may result. For your safety, follow the installation instructions. Never use make-shift compromises during the installation of this heater. Contact local building or fire officials about permits, restrictions and installation requirements in your area. **NEVER OPERATE THIS PRODUCT WHILE UNATTENDED.**



CAUTION! Please read this entire manual before you install or use your new room heater. Failure to follow instructions may result in property damage, bodily injury, or even death. Improper Installation Will Void Your Warranty!

U.S. Environmental Protection Agency

Certified to comply with 2020 particulate emissions standards.

⚠️ CALIFORNIA PROPOSITION 65 WARNING:

This product can expose you to chemicals including carbon monoxide, which is known to the State of California to cause cancer, birth defects, and/or other reproductive harm. For more information, go to www.P65warnings.ca.gov

THIS MANUAL IS SUBJECT TO CHANGE WITHOUT NOTICE.

The instructions pertaining to the installation of your wood stove comply with UL-1482 (R2015) and ULC-S627 standards. This manual describes the installation and operation of the Vogelzang, VG3200 wood heater. This heater meets the 2020 U.S. Environmental Protection Agency’s cordwood emission limits for wood heaters sold after May 15, 2020. Under specific test conditions this heater has been shown to deliver heat at rates ranging from 19,778 to 67,992 Btu/hr with 1.3 g/hr and 71% efficiency. Note: The BTU ratings mentioned above are based on the EPA test protocol under specific test conditions. Our advertised BTU’s are based on the first hour of operation at high burn rate burning cordwood.

Combustible:	Wood		
Colors:	Black		
Flue Pipe Diameter:	6" (153 mm)		
Flue Pipe Type:	Black or Blued Steel 2100°F (650°C)		
Minimum Chimney Height:	12' (3.7 m)		
Maximum Log Length:	18" (458 mm)		
Electrical:	120VAC, 0.55A, 60Hz		
Dimensions			
	DEPTH	WIDTH	HEIGHT
Overall: Depth x Width x Height:	39" (995 mm)	24" (612 mm)	32-1/2" (826 mm)
Combustion Chamber: Width x Depth:	18-5/16" X 22-1/4" (466 mm X 565 mm)		
Door Opening: Width x Height:	14-3/4" 9-7/16" (375 mm X 241 mm)		
Pyroceramic Glass Door: (Viewing) Width x Height:	14-9/16" X 9-5/16" (369 mm X 237 mm)		

- CAUTIONS:**
- **HOT WHILE IN OPERATION. KEEP CHILDREN, CLOTHING AND FURNITURE AWAY. CONTACT MAY CAUSE SKIN BURNS.**
 - **DO NOT USE CHEMICALS OR FLUIDS TO IGNITE THE FIRE.**
 - **DO NOT LEAVE THE STOVE UNATTENDED WHEN THE DOOR IS SLIGHTLY OPENED.**
 - **DO NOT BURN GARBAGE, FLAMMABLE FLUID SUCH AS GASOLINE, NAPHTHA OR MOTOR OIL.**
 - **DO NOT CONNECT TO ANY AIR DISTRIBUTION DUCT OR SYSTEM.**
 - **ALWAYS CLOSE THE DOOR AFTER THE IGNITION.**



Note: Register your product online at www.usstove.com or download the free app today. This app is available only on the App Store for iPhone and iPad. Search US Stove. Save your receipt with your records for any claims.

For Customer Service, please call:
1-800-750-2723 Ext 5050 or;
Text to 423-301-5624 or;
Email us at:
customerservice@usstove.com

INSTALLATION CHECKLIST



Your Wood Stove should be installed by a qualified installer only. An NFI qualified Installer can be found at www.nficertified.org/public/find-an-nfi-pro/

CUSTOMER SERVICE

1-800-750-2723 ext 5050

Text to 423-301-5624

Email to: Customerservice@usstove.com

COMMISSIONING CHECKLIST

This Checklist is to be completed in full by the qualified person who installs this unit. Keep this page for future reference. Failure to install and commission according to the manufacturer's instructions and complete this checklist will invalidate the warranty.

Please Print

Customer Name:	Telephone Number:
Address:	
Model:	
Serial Number:	
Installation Company Name:	Phone Number:
Installation Technician's Name:	License Number:

DESCRIPTION OF WORK

Location of installed appliance: _____

Chimney System: New Chimney System Yes No If yes, Brand _____

If no, Date of inspection of the existing chimney system: _____

COMMISSIONING

- Confirm Hearth Pad Installation as per Installation Instructions
- Confirm proper placement of internal parts.....
- Check soundness of door gasket and door seals
- Confirm clearances to combustibles as per installation instructions in this manual
- Check the operations of the air controls
- Confirm all flue pipe and chimney system are secure and sealed
- Confirm the stove properly drafts when fired.....
- Check to ensure a CO alarm is installed as per local building codes and is functional.....
- Explain the safe operation, proper fuel usage, cleaning, and routine maintenance requirements

Declaration of Completion: As the qualified person responsible for the work described above, I confirm that the appliance as associated work has been installed as per manufacturer's instructions and following any applicable building and installation codes.

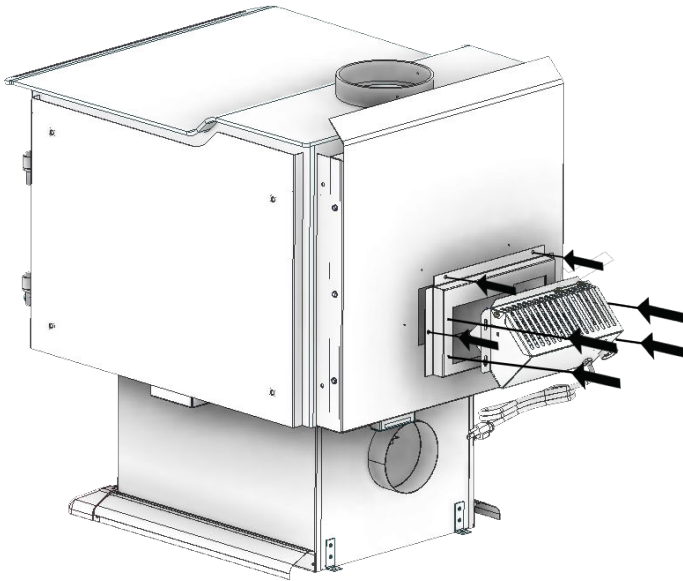
Signed: _____ Print Name: _____ Date: _____

Home Owner: RETAIN THIS INFORMATION FOR FUTURE REFERENCE

FOR CUSTOMER SERVICE CALL: 800-750-2723 EXT 5050

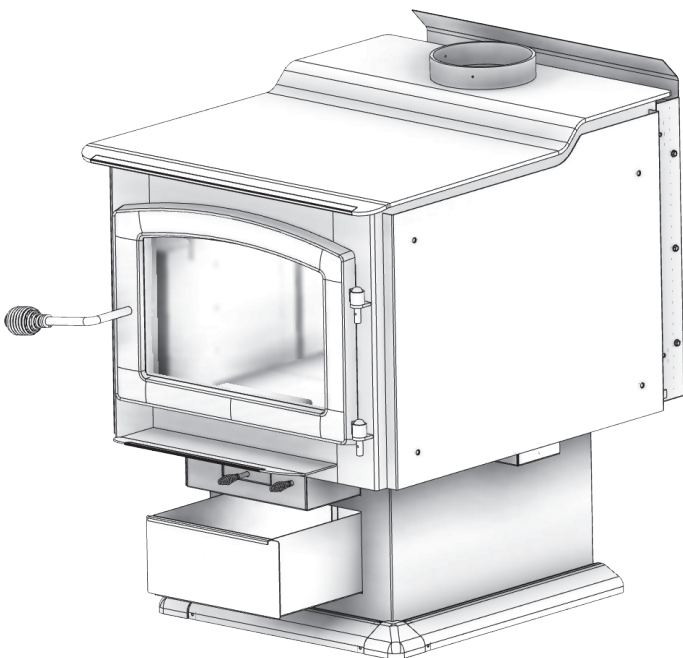
BLOWER ASSEMBLY

The blower assembly must be disconnected from the source of electrical supply before attempting the installation. The blower assembly is intended for use only with a stove that is marked to indicate such use. Do not route the supply cord near or across hot surfaces! Fix the assembly to the back of the stove with the eight screws provided. **NOTE: This bracket is included and is required for installation of the blower assembly.**



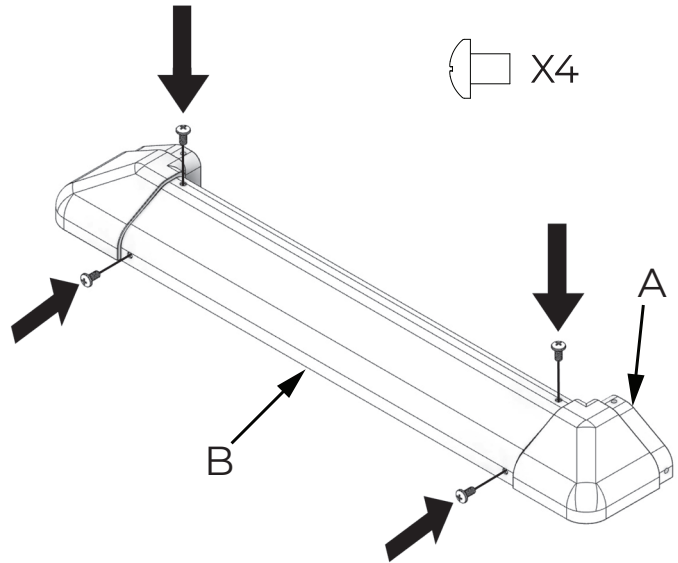
ASH PAN

The ash pan is located below the firebox.

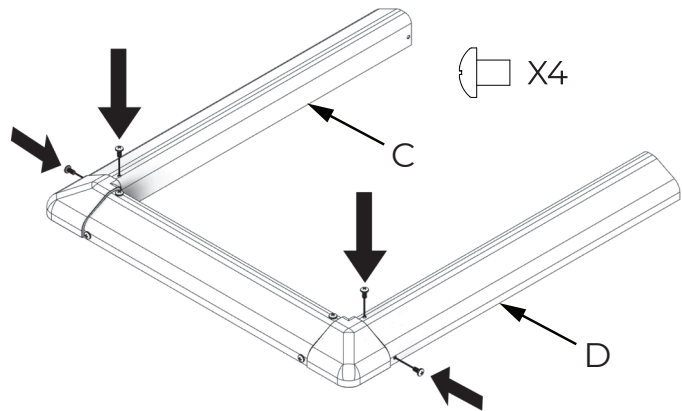


PEDESTAL BASE ASSEMBLY

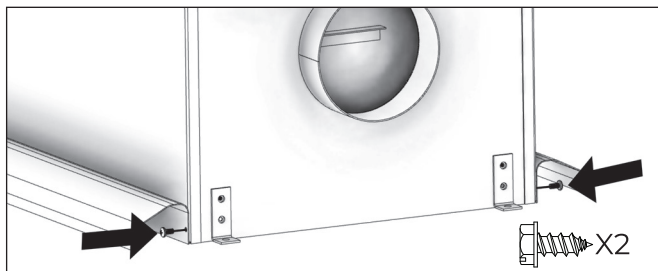
1. Assemble the pedestal base skirting. Attach two corner pieces (A) to the center section (B) of skirting and secure with four (4) truss head screws.



2. Attach the side skirting sections (C & D) to the corner pieces and secure with four (4) truss head screws.

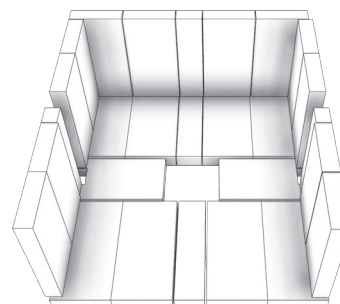


3. Slide the U-shaped skirting assembly around the pedestal base and secure with two 1/4" long pan head sheet metal screws at the rear corners.



FIREBRICK CONFIGURATION

Replace the Firebrick as shown in the illustration.



INSTALLATION

SAFETY NOTICE

- **IF THIS STOVE IS NOT PROPERLY INSTALLED, A HOUSE FIRE MAY RESULT. TO REDUCE THE RISK OF FIRE, FOLLOW THE INSTALLATION INSTRUCTIONS.**
- **CONSULT YOUR MUNICIPAL BUILDING DEPARTMENT OR FIRE OFFICIALS ABOUT PERMITS, RESTRICTIONS AND INSTALLATIONS REQUIREMENTS IN YOUR AREA.**
- **USE SMOKE DETECTORS IN THE ROOM WHERE YOUR STOVE IS INSTALLED.**
- **KEEP FURNITURE AND DRAPES WELL AWAY FROM THE STOVE.**
- **NEVER USE GASOLINE, GASOLINE-TYPE LANTERN FUEL, KEROSENE, CHARCOAL LIGHTER FLUID, OR SIMILAR LIQUIDS TO START OR "FRESHEN UP" A FIRE IN THIS HEATER. KEEP ALL SUCH LIQUIDS WELL AWAY FROM THE HEATER WHILE IT IS IN USE.**
- **IN THE EVENT OF A CHIMNEY FIRE, PUSH THE AIR CONTROL FULL CLOSED TO DEPRIVE THE FIRE OF OXYGEN. CALL THE FIRE DEPARTMENT.**
- **DO NOT CONNECT TO ANY AIR DISTRIBUTION DUCT OR SYSTEM.**
- **A SOURCE OF FRESH AIR INTO THE ROOM OR SPACE HEATED SHALL BE PROVIDED WHEN REQUIRED.**



We recommend that our woodburning hearth products be installed and serviced by professionals who are certified in the U.S. by the National Fireplace Institute® (NFI) as NFI Woodburning Specialists or who are certified in Canada by Wood Energy Technical Training (WETT).



US Stove highly recommends your stove be installed by a qualified NFI (US) or WETT (Canada) technician. To find the nearest qualified installer, go to:

<https://nficertified.org>,

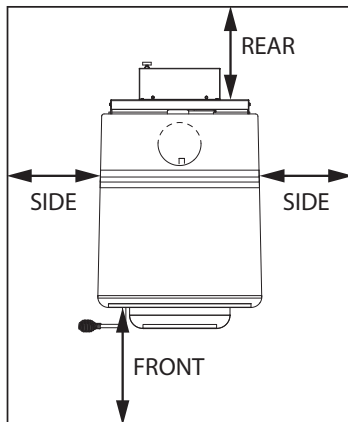
<https://www.wettinc.ca/>

POSITIONING THE STOVE

It is very important to position the wood stove as close as possible to the chimney, and in an area that will favor the most efficient heat distribution possible throughout the house. The stove must therefore be installed in the room where the most time is spent, and in the most spacious room possible. Recall that wood stoves produce radiating heat, the heat we feel when we are close to a wood stove. A wood stove also functions by convection, that is through the displacement of hot air accelerated upwards and its replacement with cooler air. If necessary, the hot air distribution from the stove may be facilitated by the installation of a blower. The wood stove must not be hooked up to a hot air distribution system since an excessive accumulation of heat may occur. A wood stove must never be installed in a hallway or near a staircase, since it may block the way in case of fire or fail to respect required clearances.

FLOOR PROTECTOR

This heater must have a non-combustible floor protector with an R-Value of at least 1.2 installed beneath it if the floor is constructed of combustible material. If a floor pad is used, it should be UL listed or equal. The floor protector should be large enough to extend under the stove and beyond each side as indicated. If there is a horizontal run of flue pipe, there needs to be floor protection under it that extends two inches beyond either side of the pipe.

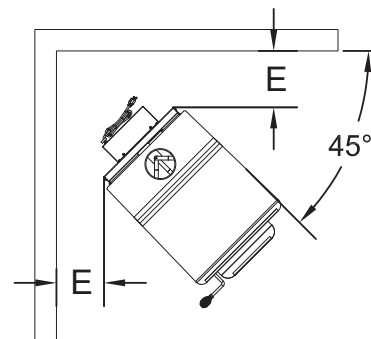
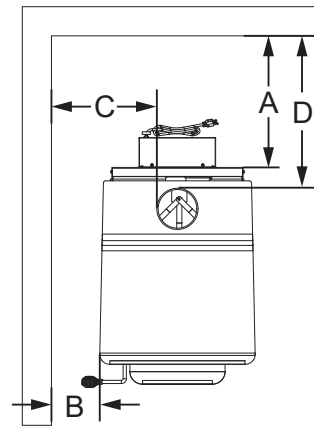


Front	18"	458 mm
Back	8"	204 mm
Sides	8"	204 mm

CLEARANCES TO COMBUSTIBLES

It is of utmost importance that the clearances to combustible materials be strictly adhered to during installation of the stove.

- Do not place any combustible material within 4' (1.2m) of the front of the unit.
- Floor to ceiling height must be at least 7' (2.13m) in all cases.
- The clearance between the flue pipe and a wall are valid only for vertical walls and for vertical flue pipe.
- The chimney connector must not pass through an attic or roof space, closet or similar concealed space, a floor, or a ceiling.
- For Canadian installations, where passage through a wall, or partition of combustible construction is desired, the installation must conform to CAN/CSA-B365.
- A flue pipe crossing a combustible wall must have a minimum clearance of 18" (458 mm).
- To reduce flue clearances from combustible materials, contact your local safety department.



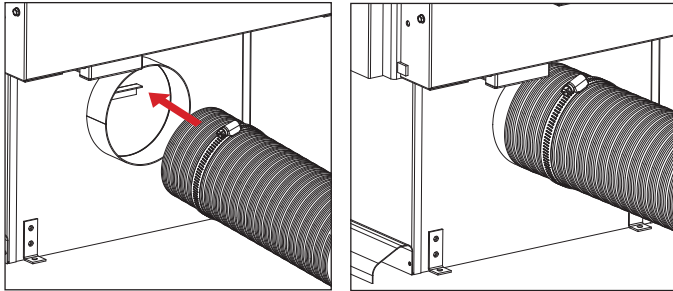
A	Backwall to Stove	17"	432 mm
B	Sidewall to Stove	26"	661 mm
C	Sidewall to Flue	35"	889 mm
D	Backwall to Flue	19"	483 mm
E	Wall to corner (Angled Installation)	18"	458 mm

OUTSIDE COMBUSTION AIR

Your wood stove is approved to be installed with an outside air intake (4FAK) which is necessary for a mobile home. This type of installation is also required in air tight houses and houses with negative pressure problems. You can purchase this option through your heater dealer. Make sure to specify the part number mentioned in this booklet. Installation instructions are supplied with the air intake kit. Outside combustion air may be required if

1. Your stove does not draw steadily, smoke roll-out occurs, wood burns poorly, or back-drafts occur whether or not there is combustion present.
2. Existing fuel-fired equipment in the house, such as fireplaces or other heating appliances, smell, do not operate properly, suffer smoke roll-out when opened, or back-drafts occur whether or not there is combustion present.
3. Opening a window slightly on a calm (windless) day alleviates any of the above symptoms.

4. The house is equipped with a well-sealed vapor barrier and tight fitting windows and/or has any powered devices that exhaust house air.
5. There is excessive condensation on windows in the winter.
6. A ventilation system is installed in the house.



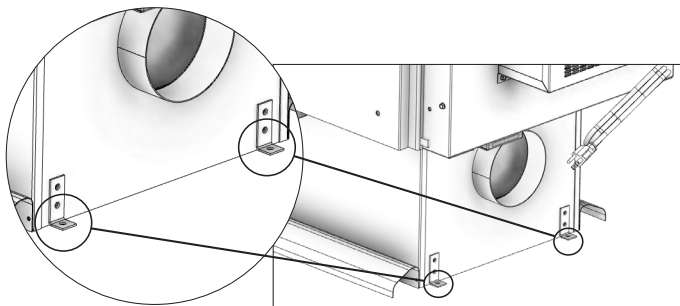
Slide the hose clamp over the aluminium flex pipe. Then slide the flex pipe over the air intake tube of the stove. Next tighten the hose clamp over the end of the aluminium flex hose.

FOR USE IN MOBILE HOMES (U.S. ONLY)

- **WARNING! DO NOT INSTALL IN SLEEPING ROOM.**
- **CAUTION! THE STRUCTURAL INTEGRITY OF THE MOBILE HOME FLOOR, WALL, AND CEILING/ROOF MUST BE MAINTAINED.**
- **INSTALL IN ACCORDANCE WITH 24 CFR, PART 3280 (HUD).**
- **USE A FACTORY BUILT CHIMNEY THAT COMPLIES WITH UL 103 STANDARDS; THEREFORE IT MUST BE A TYPE HT (2100°F).**
- **USE A SPARK ARRESTER.**
- **THE STOVE MUST BE ATTACHED TO THE STRUCTURE OF THE MOBILE HOME.**

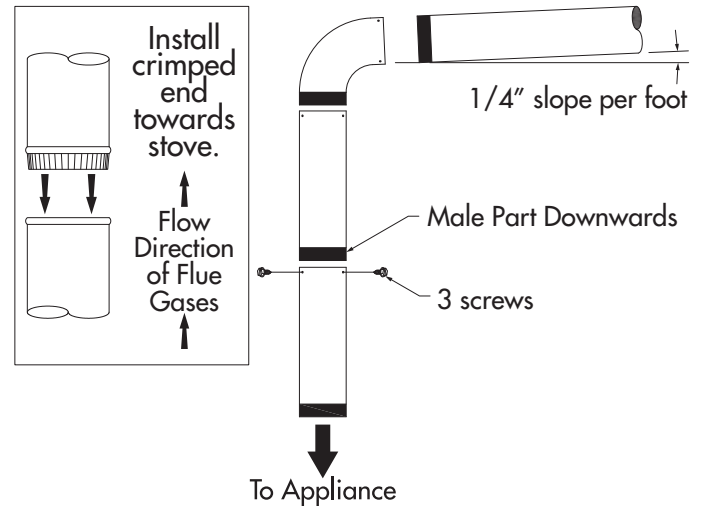
SECURE APPLIANCE TO THE FLOOR

Use the designated holes to secure the unit to the floor.



In addition to the previously detailed installation requirements, the heater must be electrically grounded to the steel chassis of the mobile home with 8 GA copper wire using a serrated or star washer to penetrate paint or protective coating to ensure grounding.

CHIMNEY CONNECTOR (STOVE PIPE)

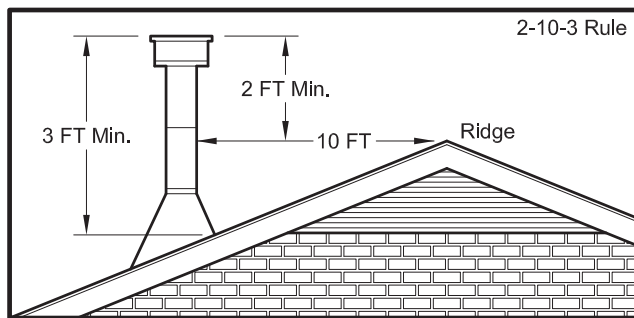


The chimney connector and chimney must have the same diameter as the stove outlet (6"). If this is not the case, we recommend you contact your dealer to ensure there will be no problem with the draft. The stovepipe must be made of aluminized or cold roll steel and have a minimum thickness of 0.021" or 0.53 mm. It is strictly forbidden to use galvanized steel. The smoke pipe should be assembled to promote the male section (crimped end) of the pipe to be faced down. Attach each section to another with three metal screws spaced an equal distance apart. The pipe must be short and straight. All sections installed horizontally must slope at least 1/4 inch per foot, with the upper end of the section toward the chimney. Any installation with a horizontal run of chimney pipe must conform to NFPA 211. To ensure a good draft, the total length of the coupling pipe should never exceed 8' to 10' (2.4m to 3.04m). Except for cases of vertical installation, in a cathedral-roof style where the smoke exhaust system can be much longer and connected without problem to the chimney at the ceiling of the room. There should never be more than two 90 degrees elbows in the smoke exhaust system. The installation of a "barometric draft stabilizer" (fireplace register) on a smoke exhaust system is prohibited. Furthermore, the installation of a draft damper is not recommended. With a controlled combustion wood stove, the draft is regulated upon intake of the combustion air in the stove and not at the exhaust.

IMPORTANCE OF PROPER DRAFT

Draft is a force that moves air from the appliance up through the chimney. The amount of draft in your chimney depends on the length of the chimney, local geography, nearby obstructions and other factors. Too much draft may cause excessive temperatures in the appliance. An inadequate draft may cause back-puffing into the room and “plugging” of the chimney. An inadequate draft will cause the appliance to leak smoke into the room through appliance and chimney connector joints. An uncontrollable burn or excessive temperature indicates an excessive draft.

CHIMNEY

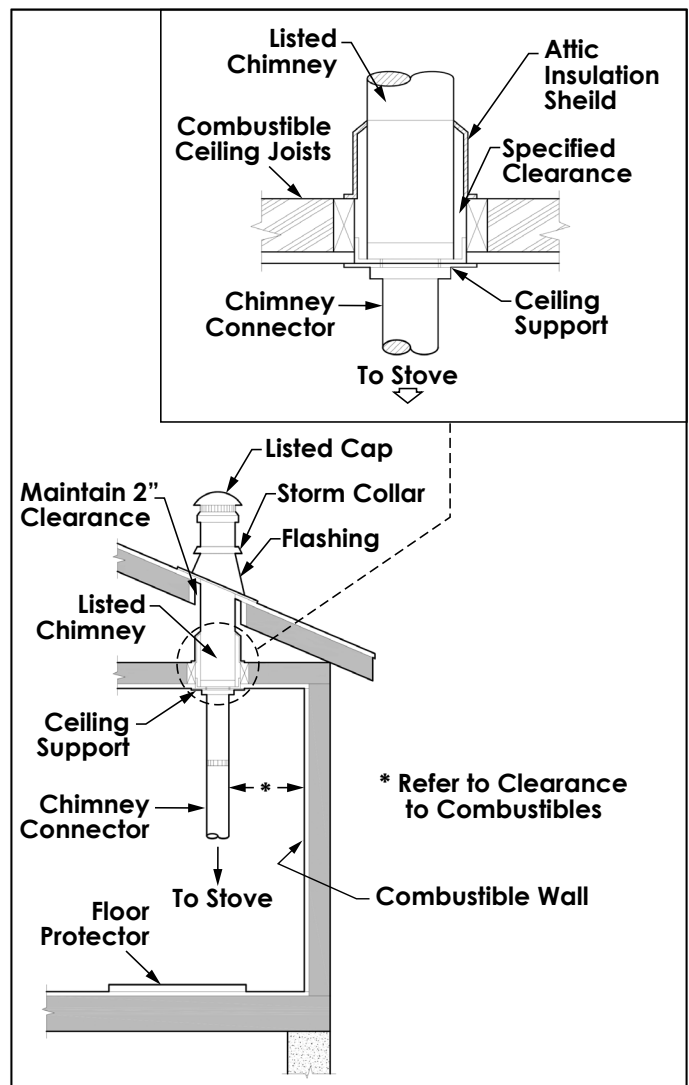


Your wood stove may be hooked up with a 6” factory-built or masonry chimney. If you are using a factory-built chimney, it must comply with UL 103 or CSA-B365 standard; therefore it must be a Type HT (2100°F). It must be installed according to the manufacturer’s specifications. Take into account the chimney’s location to ensure it is not too close to neighbors or in a valley which may cause unhealthy or nuisance conditions. If you are using a masonry chimney, it must be built in compliance with the specifications of the National Building Code. It must be lined with fire clay bricks, metal or clay tiles sealed together with fire cement. Round flues are the most efficient. The interior diameter of the chimney flue must be identical to the stove smoke exhaust. A flue which is too small may cause draft problems, while a large flue favors rapid cooling of the gas, and hence the build-up of creosote and the risk of chimney fires. Note that it is the chimney and not the stove which creates the draft effect; your stove’s performance is directly dependent on an adequate draft from your chimney. **Do not connect this unit to a chimney flue serving another appliance.** The following recommendations may be useful for the installation of your chimney:

1. It must rise above the roof at least 3’ (0.9m) from the uppermost point of contact.
2. The chimney must exceed any part of the building or other obstruction within a 10’ (3.04m) distance by a height of 2’ (0.6m).

3. The installation of an interior chimney is always preferable to an exterior chimney. Indeed, the interior chimney will, by definition, be hotter than an exterior chimney, being heated up by the ambient air in the house. Therefore the gas which circulates will cool more slowly, thus reducing the build-up of creosote and the risk of chimney fires.
4. The draft caused by the tendency for hot air to rise will be increased with an interior chimney.
5. Using a fire screen at the extremity of the chimney requires regular inspection to ensure that it is not obstructed thus blocking the draft, and it should be cleaned when used regularly.

FACTORY BUILT CHIMNEY

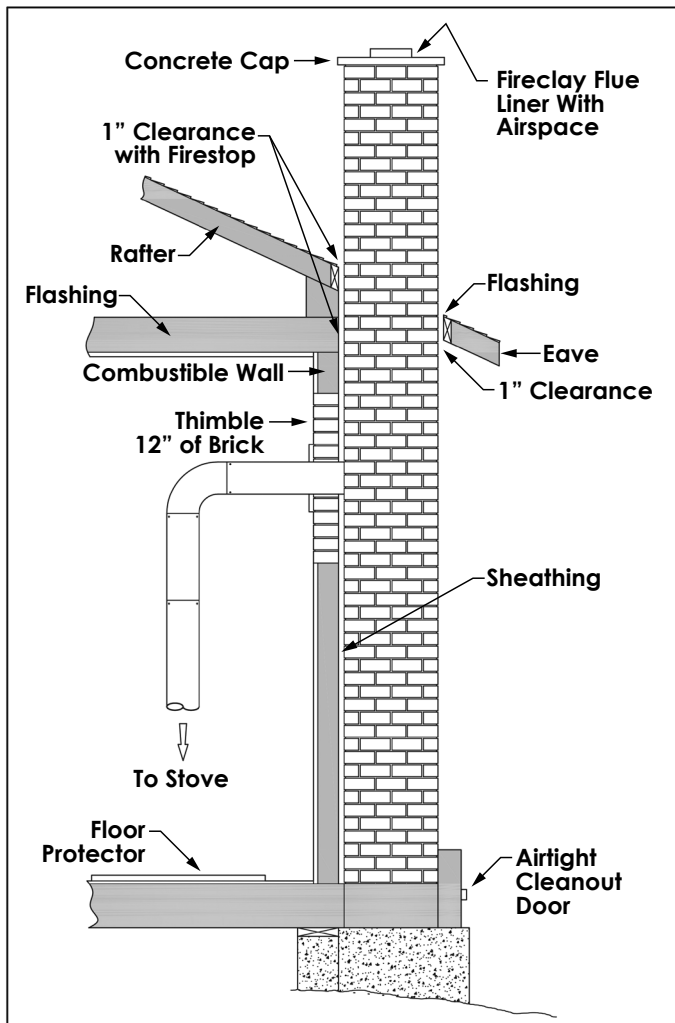


When a metal prefabricated chimney is used, the manufacturer’s installation instructions must be followed. You must also purchase (from the same manufacturer)

and install the ceiling support package or wall pass-through and "T" section package, firestops (where needed), insulation shield, roof flashing, chimney cap, etc. Maintain proper clearance to the structure as recommended by the manufacturer. The chimney must be the required height above the roof or other obstructions for safety and proper draft operation.

MASONRY CHIMNEY

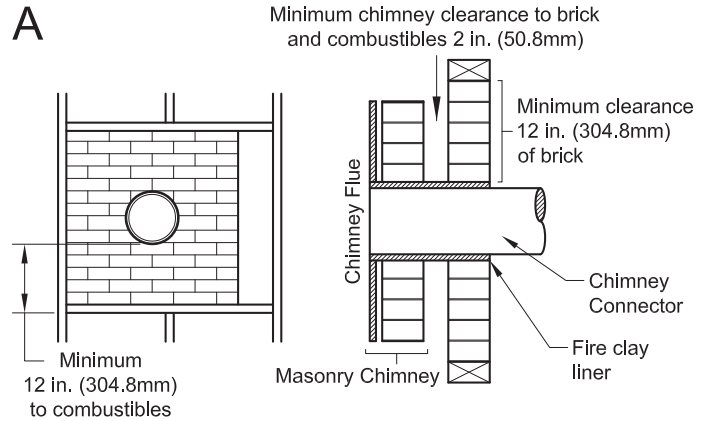
Ensure that a masonry chimney meets the minimum standards of the National Fire Protection Association (NFPA) by having it inspected by a professional. Make sure there are no cracks, loose mortar or other signs of deterioration and blockage. Be sure to the chimney cleaned before the stove is installed and operated. When connecting the stove through a combustible wall to a masonry chimney, special methods are needed.



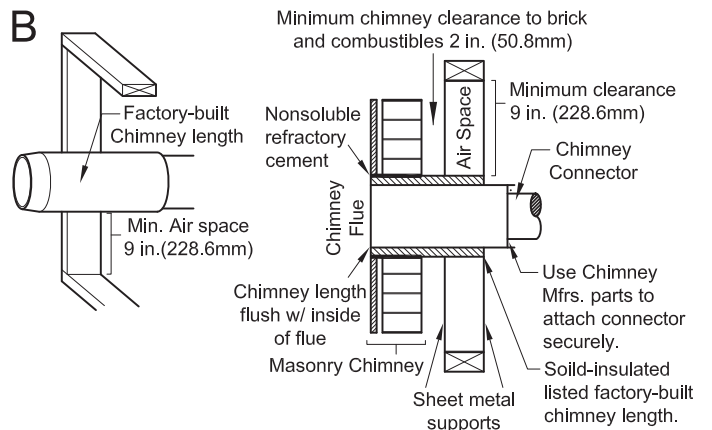
COMBUSTIBLE WALL CHIMNEY CONNECTOR PASS-THROUGHS

METHOD A - 12" (305 mm) Clearance to Combustible

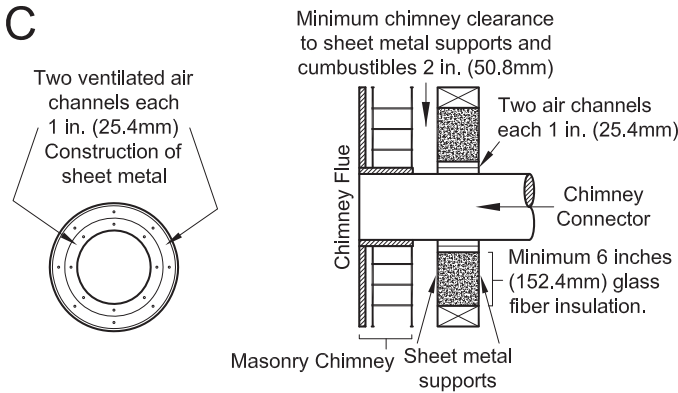
Wall Member: Using a minimum thickness 3.5" (89 mm) brick and a 5/8" (16 mm) minimum wall thickness clay liner, construct a wall pass-through. The clay liner must conform to ASTM C315 (Standard Specification for Clay Fire Linings) or its equivalent. Keep a minimum of 12" (305 mm) of brick masonry between the clay liner and wall combustibles. The clay liner shall run from the brick masonry outer surface to the inner surface of the chimney flue liner but not past the inner surface. Firmly grout or cement the clay liner in place to the chimney flue liner.



METHOD B - 9" (229 mm) Clearance to Combustible Wall Member: Using a 6" (153 mm) inside diameter, listed, factory-built Solid-Pak chimney section with insulation of 1" (26 mm) or more, build a wall pass-through with a minimum 9" (229 mm) air space between the outer wall of the chimney length and wall combustibles. Use sheet metal supports fastened securely to wall surfaces on all sides, to maintain the 9" (229 mm) air space. When fastening supports to chimney length, do not penetrate the chimney liner (the inside wall of the Solid-Pak chimney). The inner end of the Solid-Pak chimney section shall be flush with the inside of the masonry chimney flue, and sealed with a non-water soluble refractory cement. Use this cement to also seal to the brick masonry penetration.

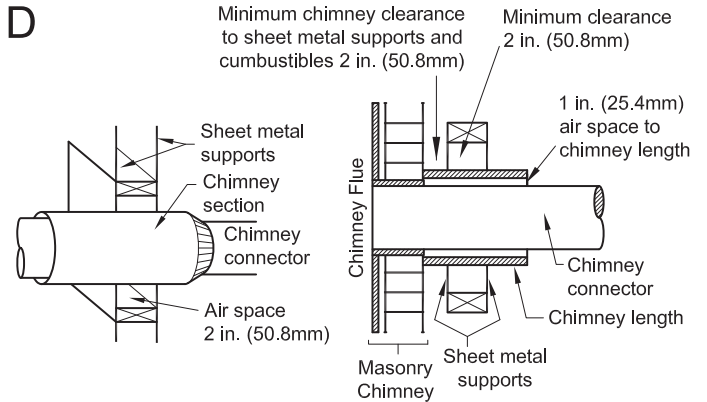


METHOD C - 6" (153 mm) Clearance to Combustible Wall Member: Starting with a minimum 24 gage (.024" [.61 mm]) 6" (153 mm) metal chimney connector, and a minimum 24 gage ventilated wall thimble which has two air channels of 1" (26 mm) each, construct a wall pass-through. There shall be a minimum 6" (153 mm) separation area containing fiberglass insulation, from the outer surface of the wall thimble to wall combustibles. Support the wall thimble, and cover its opening with a 24-gage minimum sheet metal support. Maintain the 6" (153 mm) space. There should also be a support sized to fit and hold the metal chimney connector. See that the supports are fastened securely to wall surfaces on all sides. Make sure fasteners used to secure the metal chimney connector do not penetrate chimney flue liner.



METHOD D - 2" (51 mm) Clearance to Combustible Wall Member: Start with a solid-pak listed factory built chimney section at least 12" (304 mm) long, with insulation of 1" (25.4 mm) or more, and an inside diameter of 8" (2 inches [51 mm] larger than the 6" [153 mm] chimney connector).

Use this as a pass-through for a minimum 24-gauge single wall steel chimney connector. Keep solid-pak section concentric with and spaced 1" (26 mm) off the chimney connector by way of sheet metal support plates at both ends of chimney section. Cover opening with and support chimney section on both sides with 24 gage minimum sheet metal supports. See that the supports are fastened securely to wall surfaces on all sides. Make sure fasteners used to secure chimney flue line do not penetrate the inner liner.



NOTES:

- Connectors to a masonry chimney, excepting method B, shall extend in one continuous section through the wall pass-through system and the chimney wall, to but not past the inner flue liner face.
- A chimney connector shall not pass through an attic or roof space, closet or similar concealed space, or a floor, or ceiling.

NEVER OPERATE THIS PRODUCT WHILE UNATTENDED

OPERATING SAFETY PRECAUTIONS

- **NEVER OVERFIRE THIS APPLIANCE BY BUILDING EXCESSIVELY HOT FIRES AS A HOUSE/BUILDING FIRE MAY RESULT. YOU ARE OVERFIRING THE APPLIANCE IF IT BEGINS TO GLOW OR TURN RED.**
- **NEVER BUILD EXCESSIVELY LARGE FIRES IN THIS TYPE OF APPLIANCE AS DAMAGE TO THE FIREBOX OR SMOKE LEAKAGE MAY RESULT.**
- **DO NOT BUILD FIRE TOO CLOSE TO THE GLASS.**
- **HOT WHILE IN OPERATION. KEEP CHILDREN, CLOTHING, AND FURNITURE AWAY. CONTACT MAY CAUSE SKIN BURNS. DO NOT TOUCH THE APPLIANCE UNTIL IT HAS COOLED.**
- **PROVIDE ADEQUATE AIR FOR COMBUSTION TO THE ROOM WHERE THE APPLIANCE IS INSTALLED.**
- **INSPECT CHIMNEY LINER EVERY 60 DAYS. REPLACE LINER IMMEDIATELY IF IT IS RUSTING OR LEAKING SMOKE INTO THE ROOM.**
- **ATTEMPTS TO ACHIEVE HEAT OUTPUT RATES THAT EXCEED HEATER DESIGN SPECIFICATIONS CAN RESULT IN PERMANENT DAMAGE TO THE HEATER.**

WARNING: EXPLOSION HAZARD

- **NEVER USE CHEMICALS, GASOLINE, GASOLINE-TYPE LANTERN FUEL, KEROSENE, CHARCOAL LIGHTER FLUID, OR SIMILAR FLAMMABLE LIQUIDS TO START OR "FRESHEN UP" A FIRE IN THE APPLIANCE.**
- **KEEP ALL FLAMMABLE LIQUIDS, ESPECIALLY GASOLINE, OUT OF THE VICINITY OF THE APPLIANCE - WHETHER IN USE OR IN STORAGE.**

CAUTIONS: HOUSE FIRE HAZARDS

- **DO NOT STORE WOOD ON FLOOR PROTECTOR, UNDERNEATH STOVEPIPE(S) OR ANYWHERE WITHIN CLEARANCES TO COMBUSTIBLE SURFACES SPECIFIED FOR THIS APPLIANCE.**
- **NEVER OPERATE WITH SECONDARY TUBES, FIBERBOARD, OR INSULATION REMOVED.**

WOOD STOVE UTILIZATION

Your heating appliance was designed to burn well seasoned natural wood only; no other materials should be burned. Any type of well seasoned natural wood may be used in your stove, but specific varieties have better energy yields than others. Higher efficiencies and

lower emissions generally result when burning air dried seasoned hardwoods, as compared to softwoods or too green or freshly cut hardwoods. The following resources can assist in learning the burn characteristics of various species of wood: <http://firewoodresource.com/firewood-btu-ratings/>; or <https://forestry.usu.edu/forest-products/wood-heating> The operation of this wood heater in a manner inconsistent with the owner's manual will void your warranty and is also against federal regulations. Waste and other flammable materials should not be burned in your stove. DO NOT BURN:

1. Garbage;
2. Lawn clippings or yard waste;
3. Materials containing rubber, including tires;
4. Materials containing plastic;
5. Waste petroleum products, paints or paint thinners, or asphalt products;
6. Materials containing asbestos;
7. Construction or demolition debris;
8. Railroad ties or pressure-treated wood;
9. Manure or animal remains;
10. Saltwater driftwood or other previously salt water-saturated materials;
11. Unseasoned wood; or
12. Paper products, cardboard, plywood, or particleboard. The prohibition against burning these materials does not prohibit the use of fire starters made from paper, cardboard, sawdust, wax, and similar substances to start a fire in an affected wood heater.

Burning these materials may result in the release of toxic fumes or render the heater ineffective and cause smoke. Deadwood lying on the forest floor should be considered wet and requires full seasoning time. Standing deadwood can usually be considered to be about 2/3 seasoned. Smaller pieces of wood will dry faster. All logs exceeding 6" in diameter should be split. The wood should not be stored directly on the ground. Air should circulate through the logs. A 24" to 48" air space should be left between each row of logs, which should be placed in the sunniest location possible. The upper layer of wood should be protected from the element but not the sides. A good indicator of if the wood is ready to burn is to check the piece ends. If cracks are radiating in all directions from the center then the wood should be dry enough to burn. If your wood sizzles in the fire, even though the surface is dry, it may not be fully cured and should be seasoned longer. It

is EXTREMELY IMPORTANT that you use DRY WOOD only in your wood stove. The wood should have dried for 9 to 15 months, such that the humidity content (in weight) is reduced below 20% of the weight of the log. It is very important to keep in mind that even if the wood has been cut for one, two, or even more years, it is not necessarily dry, if it has been stored in poor conditions. Under extreme conditions, it may rot instead of drying. This point cannot be overstressed; the vast majority of the problems related to the operation of a wood stove is caused by the fact that the wood used was too damp or had dried in poor conditions. These problems can be:

- ignition problems
- creosote build-up causing chimney fires
- low energy yield
- blackened windows
- incomplete log combustion

Do not burn manufactured logs made of wax impregnated sawdust or logs with any chemical additives.

Manufactured logs made of 100% compressed sawdust can be burned, but be careful burning too much of these logs at the same time. Start with one manufactured log and see how the stove reacts. You can increase the number of logs burned at a time but make sure the temperature never rises higher than 475 °F (246 °C) on a magnetic thermometer for installation on single wall stove pipes. The thermometer should be placed about 18" (457 mm) above the stove. Higher temperatures can lead to overheat and damage your stove.



TESTING YOUR WOOD

- When the stove is thoroughly warmed, place one piece of split wood (about five inches in diameter) parallel to the door on the bed of red embers.
- Keep the air control fully open and close the door. If the wood ignites within 90 seconds from the time it was placed in the stove, your wood is correctly dried. If ignition takes longer, your wood is damp.
- If your wood hisses and water or vapor escapes at the ends of the piece, your wood is soaked or freshly cut (green). Do not use this wood in your stove. Large amounts of creosote could be deposited in your chimney, creating potential conditions for a chimney fire.

TAMPER WARNING

This wood heater has a manufacturer-set minimum low burn rate that must not be altered. It is against federal

regulations to alter this setting or otherwise operate this wood heater in a manner inconsistent with operating instructions in this manual.

EFFICIENCIES

Efficiencies can be based on either the lower heating value (LHV) or the higher heating value (HHV) of the fuel. The lower heating value is when water leaves the combustion process as a vapor, in the case of woodstoves the moisture in the wood being burned leaves the stove as a vapor. The higher heating value is when water leaves the combustion process completely condensed. In the case of woodstoves this would assume the exhaust gases are room temperature when leaving the system, and therefore calculations using this heating value consider the heat going up the chimney as lost energy. Therefore, efficiency calculated using the lower heating value of wood will be higher than efficiency calculated using the higher heating value. The best way to achieve optimum efficiencies is to learn the burn characteristic of your appliance and burn well-seasoned wood. Higher burn rates are not always the best heating burn rates; after a good fire is established a lower burn rate may be a better option for efficient heating. A lower burn rate slows the flow of usable heat out of the home through the chimney, and it also consumes less wood.

NOTICE INITIAL BURNS TO CURE PAINT

BECAUSE OF HIGH OPERATING TEMPERATURES, THIS APPLIANCE IS COATED WITH A SPECIAL HIGH TEMP PAINT WHICH REQUIRES A SERIES OF LOW TO MEDIUM BURNS TO FULLY CURE FOR DURABILITY AND A LIFETIME OF SERVICE.

Proper curing of the high-temp paint requires a series of three initial burns. The appliance should be allowed to cool off between each burn. The first two burns should be small fires and low temperatures (250°F) for a duration of 20 minutes each. The third fire should be at a temperature of approximately 500°F for 20 minutes. Provide adequate cross ventilation to clear any smoke or odor caused by initial firings.

Notice: Use solid wood fuel only! Do not burn garbage, or flammable fluids. Do not use coal. This appliance is not designed to accommodate the air flow (draft) required to properly burn coal or coal products. Do not elevate the fire using grates or irons. Build the fire directly on the firebrick.

FUELING INSTRUCTIONS

This wood stove has been certified by the US EPA to

meet strict 2020 guidelines. To ensure this unit produces the optimal minimum emissions it is critical that only well-seasoned cordwood is burned (see the "Fuel Recommendations" section of this manual). Burning unseasoned wet wood only hurts your stoves efficiency and leads to accelerated creosote buildup in your chimney. Be considerate of the environment and only burn dry wood.

CAUTION:
DO NOT LEAVE APPLIANCE UNATTENDED THE WITH DOOR OPEN.

For a cold start-up, place 4 to 5 pieces of newspaper into the firebox. On top of the newspaper, lay 5 lbs of kindling in a random placement to ensure airflow through the kindling. On top of the kindling, place approximately 6.5 lbs of small pieces of cordwood. **NOTE:** Use smaller pieces of wood during start-up and a high burn rate to increase the stove temperature.



Push both air control slides to the fully open position. Light the newspaper and close the door. Once the kindling has burned down to a starter coal bed, load the unit with approximately 26 to 27 lbs of fuel for the first high burn load.

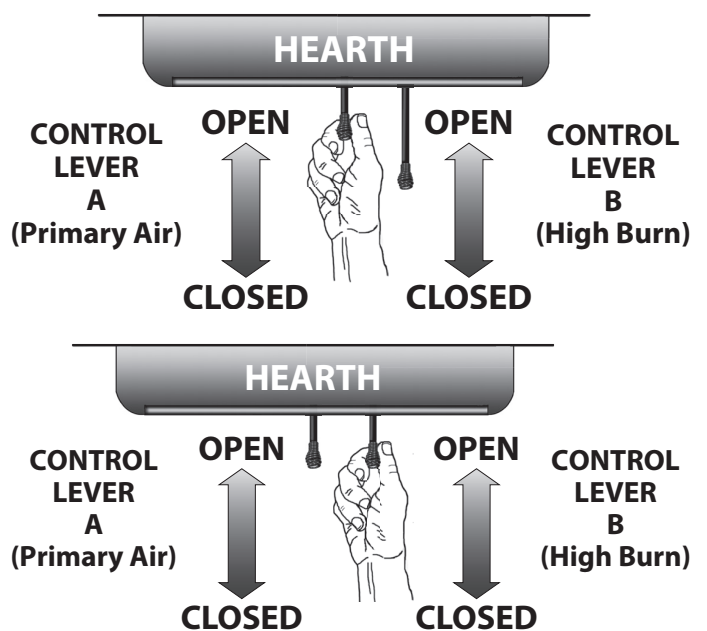


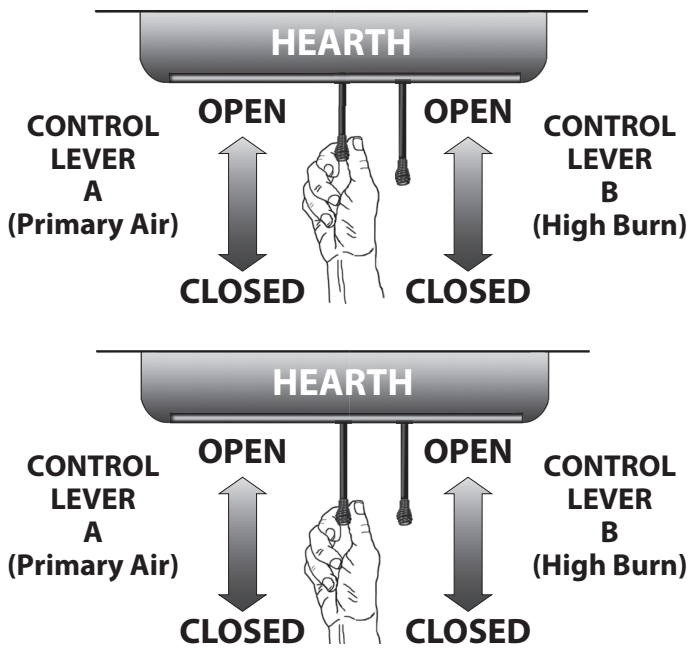
After the first high burn load and the stove is well warmed up, adjust the unit as needed for a medium or low burn

setting. For a medium burn, once the high burn fuel load is burned down to an established coal bed, load the unit with 31 to 32 lbs of cordwood and keep the door slightly open for 2 minutes. After two minutes close the door. Keep the secondary airslide fully open for 10 minutes then close completely and set the primary airslide halfway closed. At the 15 minute point of loading your fuel, the primary air slide should be set at the medium setting which is about 1/2 inch open from the fully closed position.



For a low burn setting once the high burn (or medium) fuel load is burned down to an established coal bed, load the unit with 31 to 32 lbs of cordwood and leave the door open for two minutes. After two minutes close the door. Keep the secondary airslide fully open for 10 minutes then close completely and set the primary airslide halfway closed. At the 15 minute point of loading your fuel, the primary air slide should be set at the low setting which is pulling the airslide completely out toward you. **NOTE:** Do not close the air too quickly. Closing the air too quickly will cause the unit to smoke.





VISIBLE SMOKE

The amount of visible smoke being produced can be an effective method of determining how efficiently the combustion process is taking place in the given settings. Visible smoke consists of unburned fuel and moisture leaving your stove. Learn to adjust the air settings of your specific unit to produce the smallest amount of visible smoke. Wood that has not been seasoned properly and has a high wood moisture content will produce excess visible smoke and burn poorly.

AIR TUBES

The air tubes assembled in this unit are designed to provide an accurate mix of secondary air to ensure the highest efficiency. Any damage or deterioration of these tubes may reduce the efficiency of combustion. The air tubes are held in position by screws or snap pins. Locate these to either side of the tube and remove it to allow the tube to be removed and replaced.

WARNINGS:

- NEVER OVERFIRE YOUR STOVE. IF ANY PART OF THE STOVE STARTS TO GLOW RED, OVER FIRING IS HAPPENING. READJUST THE AIR INTAKE CONTROL AT A LOWER SETTING.
- THE INSTALLATION OF A LOG CRADLE OR GRATES IS NOT RECOMMENDED IN YOUR WOOD STOVE. BUILD FIRE DIRECTLY ON FIREBRICK.
- NEVER PUT WOOD ABOVE THE FIREBRICK LINING OF THE FIREBOX.
- ATTEMPTS TO ACHIEVE HEAT OUTPUT RATES THAT EXCEED HEATER DESIGN SPECIFICATIONS CAN RESULT IN PERMANENT DAMAGE TO THE HEATER.

BLOWER OPERATION

The variable-speed blower circulates air warmed by the firebox into the living area to distribute the heat more evenly. The blower control knob is located on the side of the blower housing. Turn the knob clockwise to turn the blower on. The speed is controlled by turning the knob clockwise for slower speeds and counter-clockwise for faster speeds. To turn the blower off, turn the speed control knob fully counter-clockwise. It is recommended to turn the blower off when the unit is not in operation. The blower should be removed at the beginning of every "burn" season and air-blown clean, removing any dust or build-up.

NEVER OPERATE THIS PRODUCT WHILE UNATTENDED

CAUTION:

DO NOT OVERFIRE APPLIANCE. YOU ARE OVERFIRING IF ANY PART OF THE APPLIANCE GLOWS RED. CLOSE THE DOOR AND SHUT DAMPER IMMEDIATELY TO REDUCE THE AIR SUPPLY AND SLOW DOWN THE FIRE.

CAUTION:

SLOW BURNING FIRES FOR EXTENDED USE OR BURNING GREEN WOOD MAY CAUSE EXCESSIVE CREOSOTE BUILD-UP. IGNITION OF CREOSOTE OR OVERFIRING COULD CAUSE A CHIMNEY FIRE. CHIMNEY FIRES BURN EXTREMELY HOT AND MAY IGNITE SURROUNDING COMBUSTIBLE MATERIALS. IN CASE OF A CHIMNEY FIRE, CALL THE FIRE DEPARTMENT IMMEDIATELY!

- Always check for creosote deposit once every two months and have your chimney cleaned at least once a year.
- If a chimney or creosote fire occurs, close all dampers immediately. Wait for the fire to go out and the heater to cool, then inspect the chimney for damage. If no damage results, perform a chimney cleaning to ensure no more creosote deposits is remaining in the chimney.

CAUTION:

A CHIMNEY FIRE MAY CAUSE IGNITION OF WALL STUDS OR RAFTERS WHICH WERE ASSUMED TO BE A SAFE DISTANCE AWAY FROM THE CHIMNEY. IF A CHIMNEY FIRE OCCURS, HAVE YOUR CHIMNEY INSPECTED BY A QUALIFIED EXPERT BEFORE USING AGAIN.

CREOSOTE FORMATION & NEED FOR REMOVAL

When wood is burned slowly, it produces tar and other organic vapors, which combine with expelled moisture to form creosote. The creosote vapors condense in the relatively cool chimney flue of a slow-burning fire. As a result, creosote residue accumulates on the flue lining. When ignited this creosote makes an extremely high temper fire. The chimney connector and chimney should be inspected at least once every two months during the heating season to determine if a creosote build-up has occurred. If creosote has accumulated (3 mm or more), it should be removed to reduce the risk of a chimney fire. We strongly recommend that you install a magnetic thermometer on your smoke exhaust pipe, approximately 18" above the stove. This thermometer will indicate the temperature of your gas exhaust fumes within the smoke exhaust system. The ideal temperature for these gases is somewhere between 275°F and 500°F. Below these temperatures, the build-up of creosote is promoted. Above 500°F, heat is wasted since a too large quantity is lost into the atmosphere.

TO PREVENT CREOSOTE BUILD UP

- Always burn dry wood. This allows clean burns and higher chimney temperatures, therefore less creosote deposit.
- Leave the air control fully open for about 5 min. every time you reload the stove to bring it back to proper operating temperatures. The secondary combustion can only take place if the firebox is hot enough.

ASH REMOVAL & DISPOSAL

Whenever ashes get 3 to 4 inches deep in your firebox or ash pan, and when the fire has burned down and cooled, remove excess ashes. Leave an ash bed approximately 1 inch deep on the firebox bottom to help maintain a hot charcoal bed. Ashes should be placed in a metal container with a tight-fitting lid. The closed container of ashes should be placed on a non-combustible floor or the ground, away from all combustible materials, pending final disposal. The ashes should be retained in the closed container until all cinders have thoroughly cooled.

CAUTIONS:

- **ASHES COULD CONTAIN HOT EMBERS EVEN AFTER TWO DAYS WITHOUT OPERATING THE STOVE.**
- **THE ASH PAN CAN BECOME VERY HOT. WEAR GLOVES TO PREVENT INJURY.**
- **NEVER BURN THE STOVE WITH THE ASH TRAP OPEN. THIS WOULD RESULT IN OVER FIRING THE STOVE. DAMAGE TO THE STOVE AND EVEN HOUSE FIRE MAY RESULT.**

SMOKE & CO MONITORS

Burning wood naturally produces smoke and carbon monoxide(CO) emissions. CO is a poisonous gas when exposed to elevated concentrations for extended periods. While the modern combustion systems in heaters drastically reduce the amount of CO emitted out the chimney, exposure to the gases in closed or confined areas can be dangerous. Make sure your stove gaskets

and chimney joints are in good working order and sealing properly to ensure unintended exposure. It is recommended that you use both smoke and CO monitors in areas having the potential to generate CO.

GLASS CARE

- Inspect and clean the glass regularly to detect any cracks. If you spot one, turn the stove off immediately. Do not abuse the glass door by striking or slamming shut. Do not use the stove if the glass is broken.
- If the glass on your stove breaks, replace only with the glass supplied from your heater dealer. Never substitute other materials for the glass.
- To replace the glass, remove the screws retaining the glass moldings inside the door. Remove the moldings and replace the damaged piece with a new one. Perform the procedure backward after replacing it. When replacing the glass, you should change the glass gasket to make sure you keep it sealed.
- Never wash the glass with a product that may scratch. Use a specialized product, available in the stores where

wood stoves are sold. The glass should be washed only when cold.

GASKET CARE

WARNING:

NEVER OPERATE THE STOVE WITHOUT A GASKET OR WITH A BROKEN ONE. DAMAGE TO THE STOVE OR EVEN HOUSE FIRE MAY RESULT.

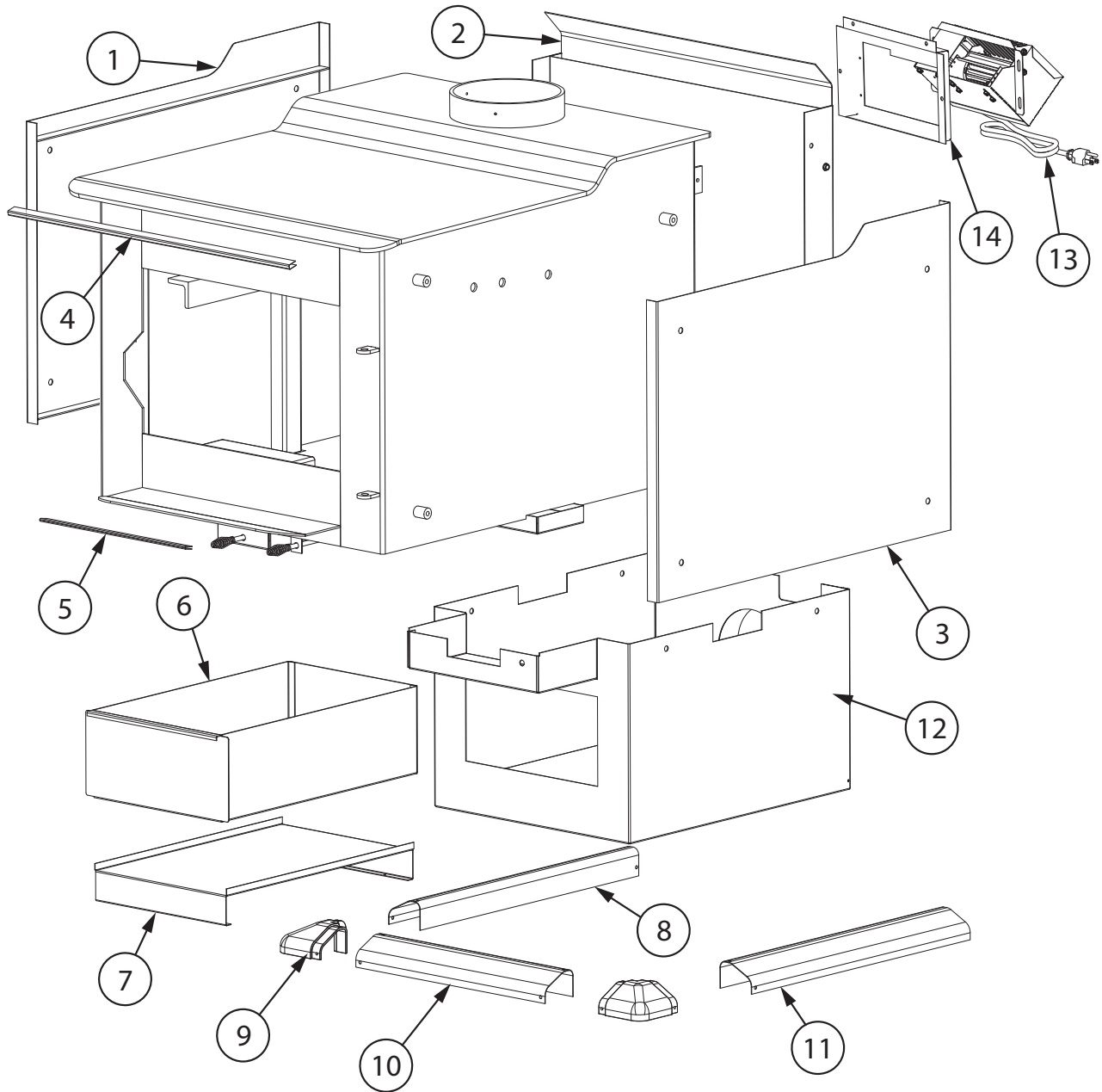
This unit’s door uses a 3/4” diameter rope gasket. It is recommended that you change the door gasket (which makes your stove door air tight) once a year, in order to ensure good control over the combustion, maximum efficiency and security. To change the door gasket, simply remove the damaged one. Carefully clean the available gasket groove, apply a high temperature silicone sold for this purpose, and install the new gasket. You may light up your stove again approximately 24 hours after having completed this operation.

HOW TO ORDER REPAIR PARTS

For Parts Assistance Call: 800-750-2723 Ext 5051 or Email: parts@usstove.com

The information in this owner’s manual is specific to your unit. When ordering replacement parts the information in this manual will help to ensure the correct items are ordered. Before contacting customer service write down the model number and the serial number of this unit. That information can be found on the certification label attached to the back of the unit. Other information that may be needed would be the part number and part description of the item(s) in question. Part numbers and descriptions can be found in the “Repair Parts” section of this manual. Once this information has been gathered you can contact customer service by phone 1-800-750-2723 Ext 5051 or Email parts@usstove.com.

Model Information	
Model Number	
Serial Number	



Key	Part #	Description	Qty
1	892268	Heat Shield (Left)	1
2	892269	Heat Shield (Rear)	1
3	892267	Heat Shield (Right)	1
4	892278	Top Trim	1
5	892279	Hearth Trim	1
6	69912	Ash Drawer	1
7	26548	Ash Drawer Support	1
8	26541	Left Side Skirt	1

9	40597	Skirt Corner	2
10	26546	Front Skirt	1
11	26553	Right Side Skirt	1
12	69911	Pedestal	1
13	CB36	Blower Assembly	1
14	25598	Blower Bracket	1

To order parts:

Call 1-800-750-2723 Ext 5051 or

Email to: parts@usstove.com

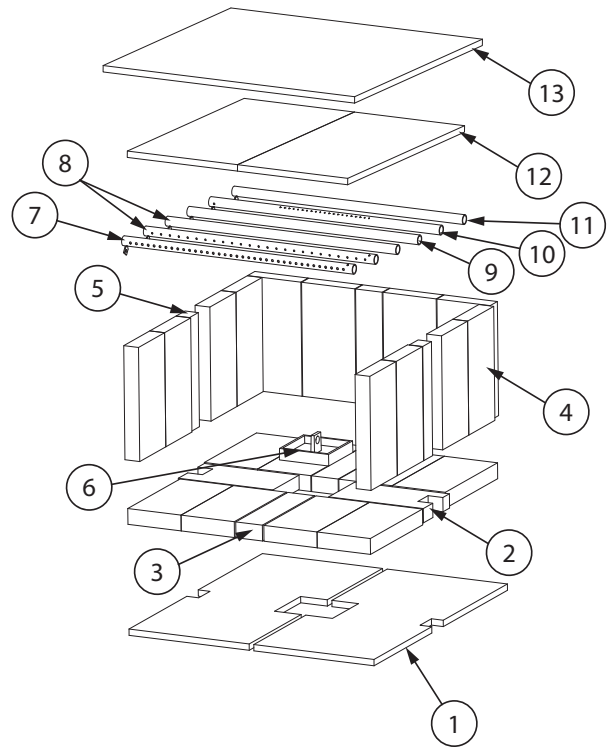
IN ORDER TO MAINTAIN WARRANTY, COMPONENTS MUST BE REPLACED USING ORIGINAL MANUFACTURERS PARTS PURCHASED THROUGH YOUR DEALER OR DIRECTLY FROM THE APPLIANCE MANUFACTURER. USE OF THIRD PARTY COMPONENTS WILL VOID THE WARRANTY.

Key	Part #	Description	Qty
1	88194	C-Cast Bottom	2
2	892280	Notched Firebrick	2
3	891414	Half Firebrick	3
4	89066	Firebrick (4-1/2 X 9)	20
5	892281	1.5" Firebrick	2
6	40595	Half Brick Ash Plug	1
7	86698	Tube(1), Secondary Air Tube (4mm)	1
8	86699	Tube(2,3), Secondary Air Tube (3mm)	2
9	86700	Tube(4), Secondary Air Tube (2.5mm)	1
10	86701	Tube(5), Secondary Air Tube (2.0mm)	1
11	86702	Tube(6), Secondary Air (No Holes)	1
12	88192	Ceramic Fiber Board Top	2
13	88193	Kao Wool	1

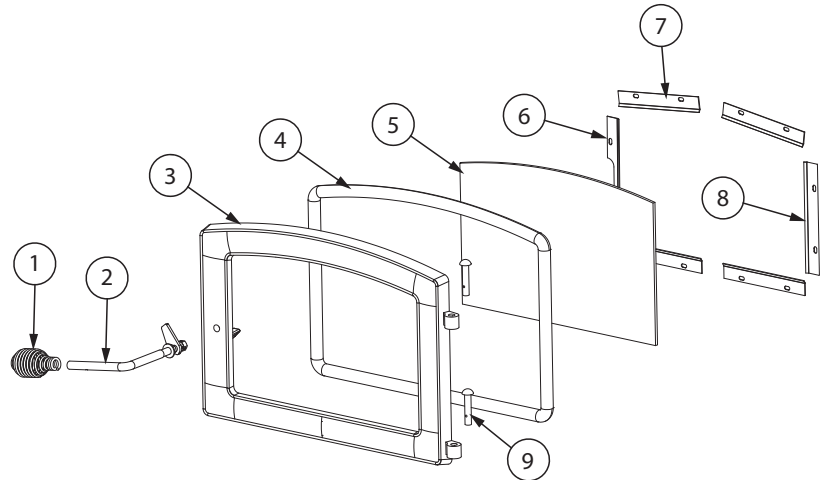
To order parts:

Call 1-800-750-2723 Ext 5051 or

Email to: parts@usstove.com



Key	Part #	Description	Qty
1	891135	Spring Handle	1
2	892266	Handle Assembly	1
3	40596	Ponderosa Cast Door	1
4	88082	Rope Gasket 3/4"	3.5 ft
5	892270	Glass, Chamber Door	1
6	26533	Lg-Cut, Glass Retainer	1
7	26534	Glass Retainer	4
8	26536	Glass Retainer Lg	1
9	83922	Pin w/Cotter, Hinge	2



To order parts:

Call 1-800-750-2723 Ext 5051 or

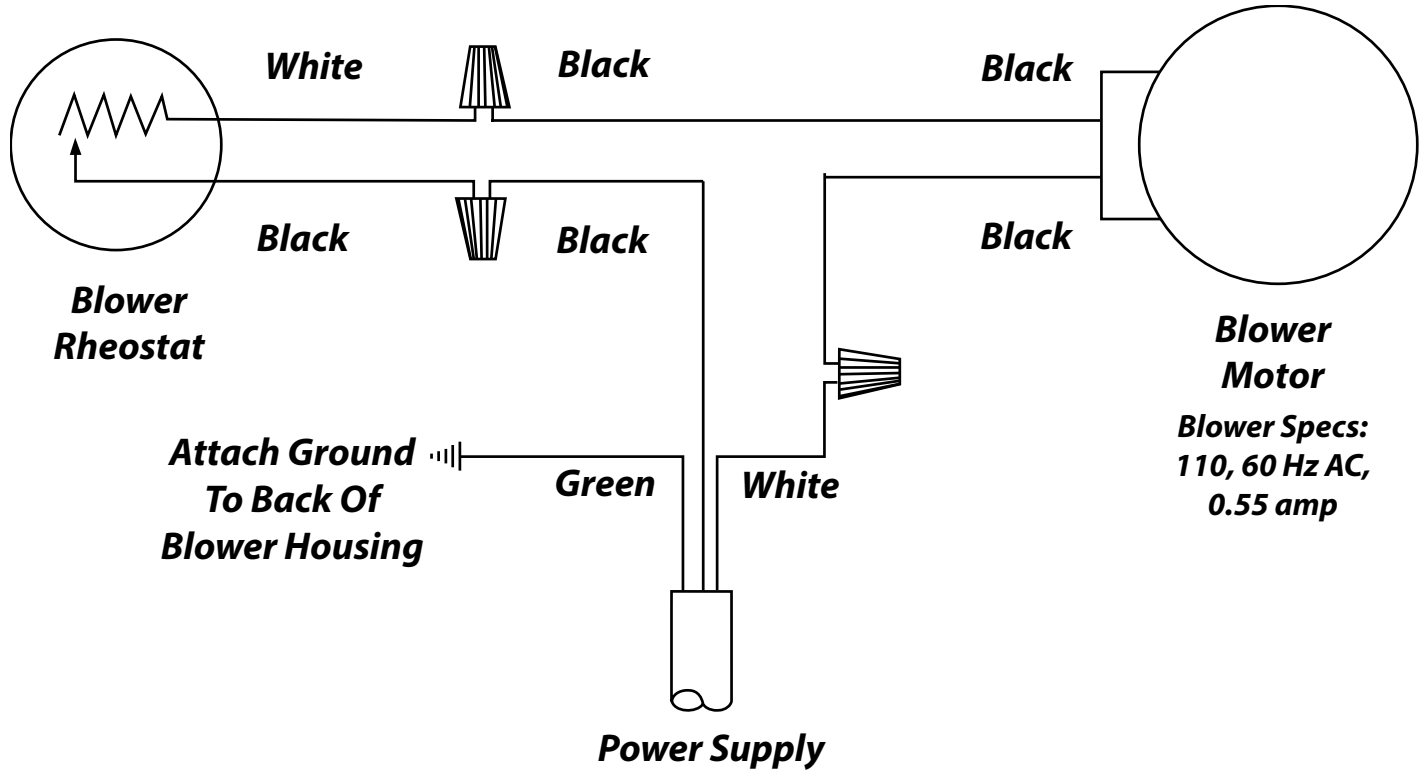
Email to: parts@usstove.com

IN ORDER TO MAINTAIN WARRANTY, COMPONENTS MUST BE REPLACED USING ORIGINAL MANUFACTURERS PARTS PURCHASED THROUGH YOUR DEALER OR DIRECTLY FROM THE APPLIANCE MANUFACTURER. USE OF THIRD PARTY COMPONENTS WILL VOID THE WARRANTY.

WIRING DIAGRAM

DANGER: SHOCK HAZARD. DISCONNECT POWER SOURCE BEFORE INSTALLATION AND WHENEVER SERVICING BLOWER ASSEMBLY.

CAUTION: MOVING PARTS CAN CAUSE INJURY. DO NOT OPERATE WITH COVER REMOVED.



NOTICE: DO NOT ALLOW POWER CORD TO TOUCH HOT SURFACES! KEEP POWER CORD AWAY FROM STOVE OR PIPE SURFACES.

NOTICE: ANY REPLACEMENT WIRING MUST HAVE EQUIVALENT INSULATION AND TEMPERATURE RATING (105°C).

It is recommended that your heating system is serviced regularly and that the appropriate Service Interval Record is completed.

SERVICE PROVIDER

Before completing the appropriate Service Record below, please ensure you have carried out the service as described in the manufacturer's instructions. Always use the manufacturer's specified spare part when replacement is necessary.

Service 01 Date: _____
 Engineer Name: _____
 License No.: _____
 Company: _____
 Telephone No.: _____
 Stove Inspected: Chimney Swept:
 Items Replaced: _____

Service 02 Date: _____
 Engineer Name: _____
 License No.: _____
 Company: _____
 Telephone No.: _____
 Stove Inspected: Chimney Swept:
 Items Replaced: _____

Service 03 Date: _____
 Engineer Name: _____
 License No.: _____
 Company: _____
 Telephone No.: _____
 Stove Inspected: Chimney Swept:
 Items Replaced: _____

Service 04 Date: _____
 Engineer Name: _____
 License No.: _____
 Company: _____
 Telephone No.: _____
 Stove Inspected: Chimney Swept:
 Items Replaced: _____

Service 05 Date: _____
 Engineer Name: _____
 License No.: _____
 Company: _____
 Telephone No.: _____
 Stove Inspected: Chimney Swept:
 Items Replaced: _____

Service 06 Date: _____
 Engineer Name: _____
 License No.: _____
 Company: _____
 Telephone No.: _____
 Stove Inspected: Chimney Swept:
 Items Replaced: _____

Service 07 Date: _____
 Engineer Name: _____
 License No.: _____
 Company: _____
 Telephone No.: _____
 Stove Inspected: Chimney Swept:
 Items Replaced: _____

Service 08 Date: _____
 Engineer Name: _____
 License No.: _____
 Company: _____
 Telephone No.: _____
 Stove Inspected: Chimney Swept:
 Items Replaced: _____

Il est recommandé que votre système de chauffage est desservi régulièrement et que le Service Interval enregistré approprié est terminée.

FURNISSEUR DE SERVICES

Avant de terminer l'enregistrement de service approprié ci-dessous, s'il vous plaît vous assurer que vous avez effectué le service tel que décrit dans les instructions du fabricant. Toujours utiliser pièce de rechange indiquée par le fabricant lors de remplacement est nécessaire.

_____	Service de 01	_____
_____	Date:	_____
_____	Nom de l'ingénieur:	_____
_____	N° de licence:	_____
_____	Compagnie:	_____
_____	N° de téléphone:	_____
_____	Poêle Inspecté: <input type="checkbox"/>	Cheminée balayée: <input type="checkbox"/>
_____	Articles Remplacé:	_____

_____	Service de 02	_____
_____	Date:	_____
_____	Nom de l'ingénieur:	_____
_____	N° de licence:	_____
_____	Compagnie:	_____
_____	N° de téléphone:	_____
_____	Poêle Inspecté: <input type="checkbox"/>	Cheminée balayée: <input type="checkbox"/>
_____	Articles Remplacé:	_____

_____	Service de 03	_____
_____	Date:	_____
_____	Nom de l'ingénieur:	_____
_____	N° de licence:	_____
_____	Compagnie:	_____
_____	N° de téléphone:	_____
_____	Poêle Inspecté: <input type="checkbox"/>	Cheminée balayée: <input type="checkbox"/>
_____	Articles Remplacé:	_____

_____	Service de 04	_____
_____	Date:	_____
_____	Nom de l'ingénieur:	_____
_____	N° de licence:	_____
_____	Compagnie:	_____
_____	N° de téléphone:	_____
_____	Poêle Inspecté: <input type="checkbox"/>	Cheminée balayée: <input type="checkbox"/>
_____	Articles Remplacé:	_____

_____	Service de 05	_____
_____	Date:	_____
_____	Nom de l'ingénieur:	_____
_____	N° de licence:	_____
_____	Compagnie:	_____
_____	N° de téléphone:	_____
_____	Poêle Inspecté: <input type="checkbox"/>	Cheminée balayée: <input type="checkbox"/>
_____	Articles Remplacé:	_____

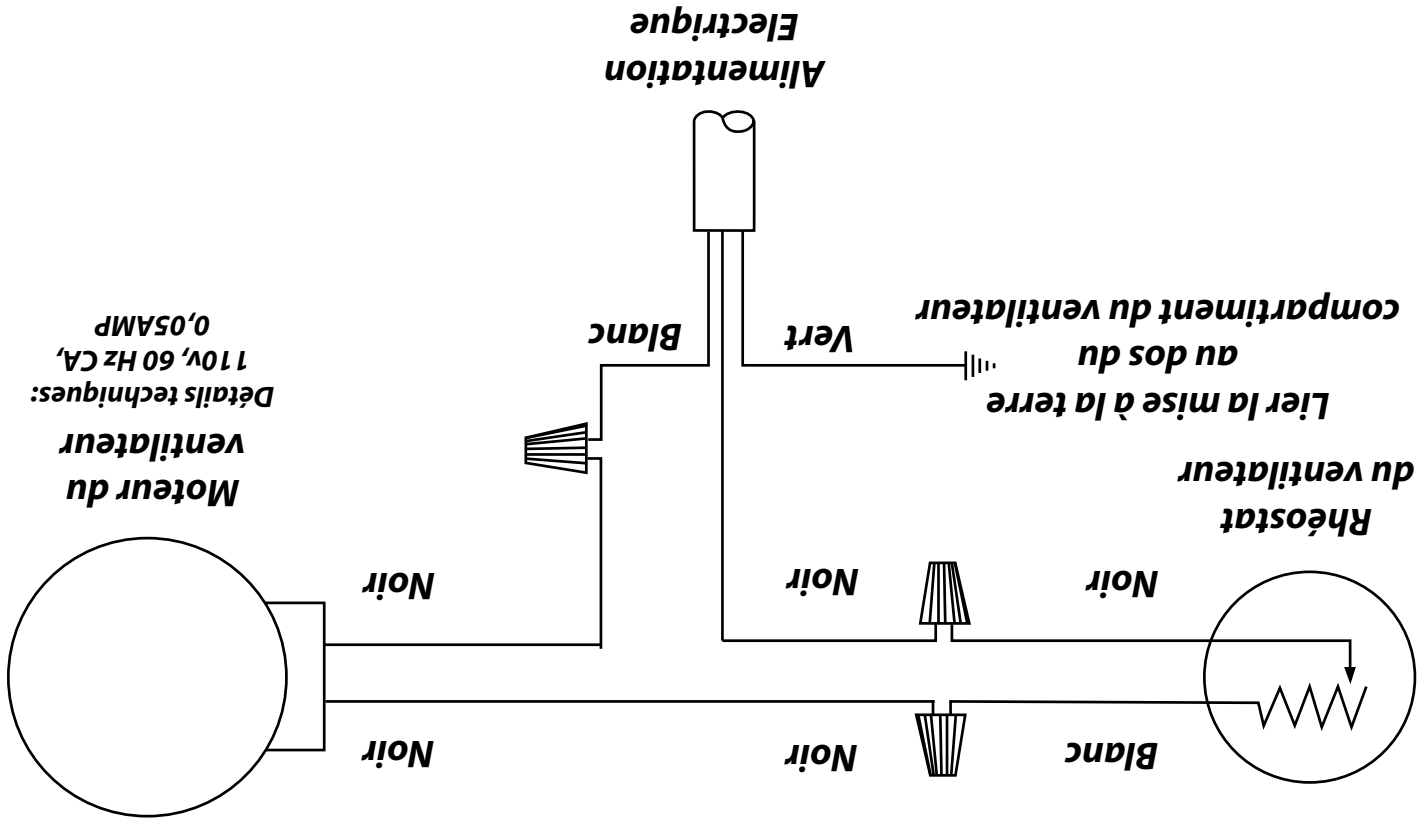
_____	Service de 06	_____
_____	Date:	_____
_____	Nom de l'ingénieur:	_____
_____	N° de licence:	_____
_____	Compagnie:	_____
_____	N° de téléphone:	_____
_____	Poêle Inspecté: <input type="checkbox"/>	Cheminée balayée: <input type="checkbox"/>
_____	Articles Remplacé:	_____

_____	Service de 07	_____
_____	Date:	_____
_____	Nom de l'ingénieur:	_____
_____	N° de licence:	_____
_____	Compagnie:	_____
_____	N° de téléphone:	_____
_____	Poêle Inspecté: <input type="checkbox"/>	Cheminée balayée: <input type="checkbox"/>
_____	Articles Remplacé:	_____

_____	Service de 08	_____
_____	Date:	_____
_____	Nom de l'ingénieur:	_____
_____	N° de licence:	_____
_____	Compagnie:	_____
_____	N° de téléphone:	_____
_____	Poêle Inspecté: <input type="checkbox"/>	Cheminée balayée: <input type="checkbox"/>
_____	Articles Remplacé:	_____

DANGER: RISQUE D'ÉLECTROCUTION. DÉBRANCHER L'ALIMENTATION ÉLECTRIQUE AVANT L'INSTALLATION ET LORS DE L'ENTRETIEN DE L'ASSEMBLAGE DU VENTILATEUR REFOULANT.

ATTENTION: PIÈCES MOBILES POUVANT CAUSER DES BLESSURES. NE PAS FAIRE FONCTIONNER SI LE COU-VERCLE EST RETIRÉ.



AVIS: NE PAS LAISSER LE FIL ÉLECTRIQUE ENTRER EN CONTACT AVEC UNE SURFACE CHAUDE; GARDER LE FIL ÉLECTRIQUE À 12PO / 30CM AU MOINS DE LA SURFACE DU POËLE OU DES CONDUITS.

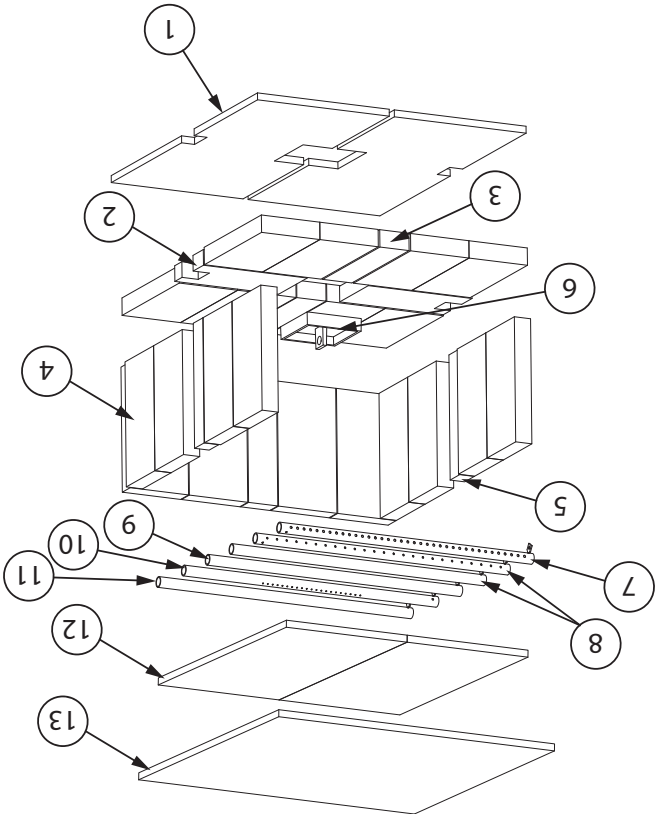
AVIS: TOUT CÂBLAGE DE REMPLACEMENT DOIT AVOIR UNE ISOLATION ET DES CARACTÉRISTIQUES THERMIQUES SIMILAIRES À L'ORIGINAL (105°C).

Ciè	Partie #	La Description	Qté
1	88194	C-Cast Bas	2
2	892280	Brique de feu entaillée	2
3	891414	Demi brique réfractaire	3
4	89066	Brique réfractaire (4-1 / 2 x 9)	20
5	892281	1,5 po brique réfractaire	2
6	40595	Bouchon de cendre demi-brique	1
7	86698	Tube d'air secondaire (1) (4 mm)	1
8	86699	Tube d'air secondaire (2,3) (3 mm)	2
9	86700	Tube d'air secondaire (4) (2,5 mm)	1
10	86701	Tube d'air secondaire (5) (2,0 mm)	1
11	86702	Tube d'air secondaire (6) (sans trous)	1
12	88192	Plateau en fibre de céramique	2
13	88193	Laine Kao	1

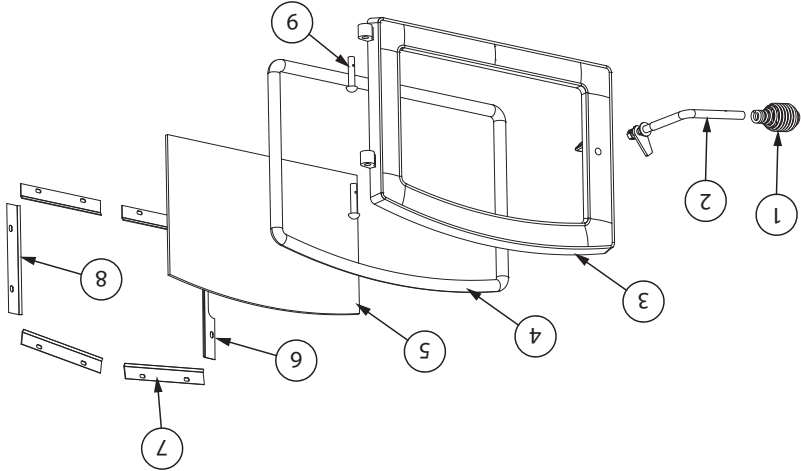
Pour commander des pièces:

Appellez le 1-800-750-2723 Ext 5051 ou

Envoyez un courriel à: parts@usstove.com



Ciè	Partie #	La Description	Qté
1	891135	Poignée à ressort	1
2	892266	Assemblage de la poignée	1
3	40596	Porte coulée	1
4	88082	Joint de corde 3/4 po	3,5 pi
5	892270	Verre, porte de la chambre	1
6	26533	Retenue en verre de grande taille	1
7	26534	Verre de retenue	4
8	26536	Grand verre de retenue	1
9	83922	Broche avec gouppille, charnière	2

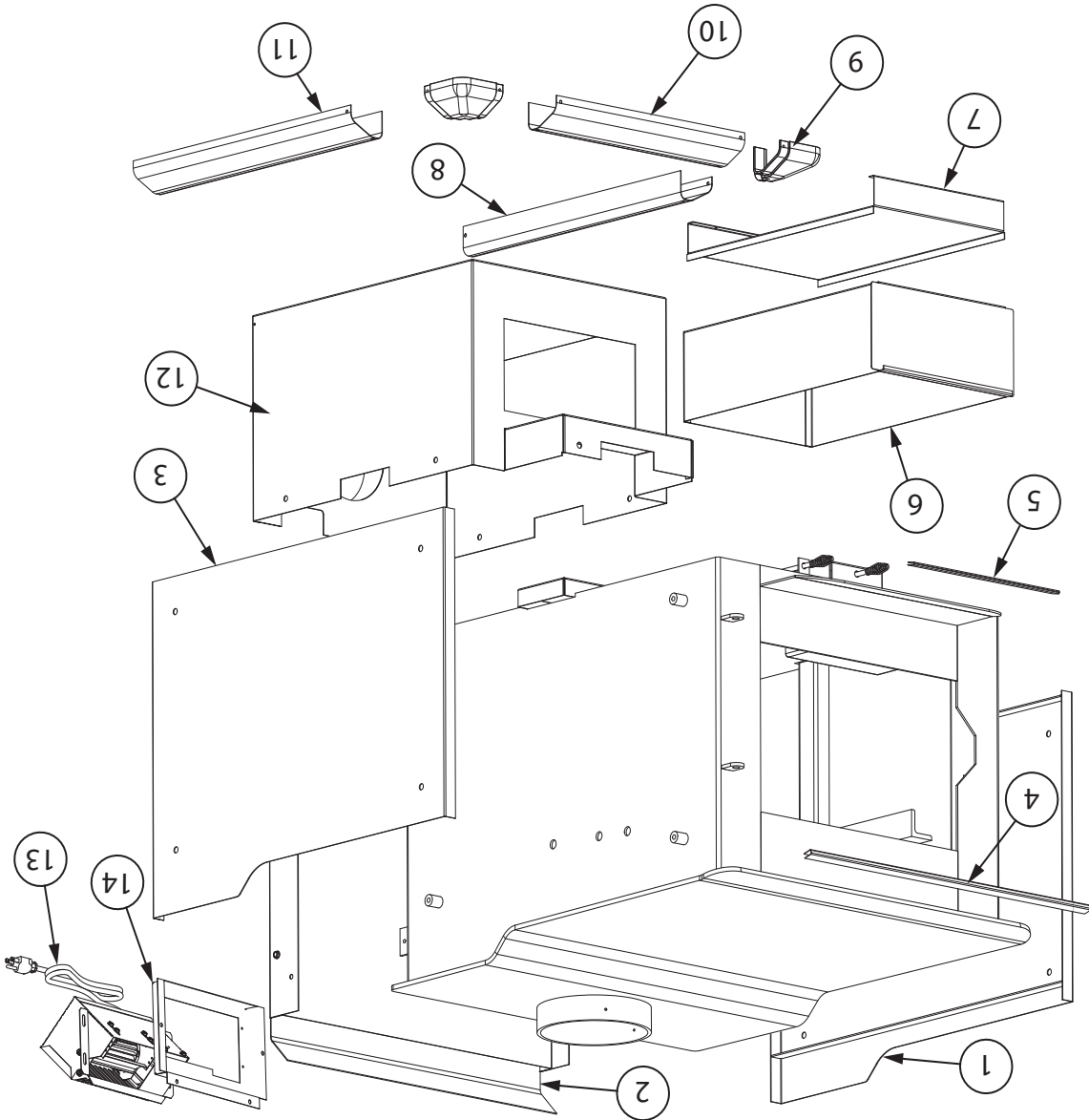


Pour commander des pièces:

Appellez le 1-800-750-2723 Ext 5051 ou

Envoyez un courriel à: parts@usstove.com

AFIN DE MAINTENIR LA GARANTIE, LES COMPOSANTS DOIVENT ÊTRE REMPLACÉS PAR DES PIÈCES D'ORIGINE ACHETÉES CHEZ VOTRE REVENDEUR OU DIRECTEMENT AUPRÈS DU FABRICANT DE L'APPAREIL. L'UTILISATION DE COMPOSANTS TIERS ANNULERA LA GARANTIE.



Ciè	Partie #	Description	Qté
1	892268	Bouclier thermique (gauche)	1
2	892269	Bouclier thermique (arrière)	1
3	892267	Bouclier thermique (droite)	1
4	892278	Garniture supérieure	1
5	892279	Garniture de foyer	1
6	69912	Tiroir à cendres	1
7	26548	Support de tiroir à cendres	1
8	26541	Jupe côté gauche	1

9	40597	Coin de jupe	2
10	26546	Jupe avant	1
11	26553	Jupe côté droit	1
12	69911	Piédestal	1
13	CB36	Ensemble de soufflante	1
14	25598	Support de soufflante	1

Pour commander des pièces:

Appellez le 1-800-750-2723 Ext 5051 ou

Envoyez un courriel à: parts@usstove.com

AFIN DE MAINTENIR LA GARANTIE, LES COMPOSANTS DOIVENT ÊTRE REMPLACÉS PAR DES PIÈCES D'ORIGINE ACHETÉES CHEZ VOTRE REVENDEUR OU DIRECTEMENT AUPRÈS DU FABRICANT DE L'APPAREIL. L'UTILISATION DE COMPOSANTS TIERS ANNULERA LA GARANTIE.

de façon importante la quantité de CO émis par la cheminée, l'exposition aux gaz dans des endroits fermés ou clos peut être dangereuse. Assurez-vous que les joints d'étanchéité de votre poêle et les joints de la cheminée soient en bon état et qu'ils scellent correctement, évitant les expositions indésirables. Il est recommandé que vous utilisiez des détecteurs de fumée et de CO dans les zones où se trouve un potentiel de génération de CO.

ENTRETIEN VERRE

- Inspectez et nettoyez régulièrement la vitre pour détecter d'éventuelles fissures. Si vous en repérez, éteignez immédiatement le poêle. N'abusez pas de la porte vitrée en la claquant ou en la claquant. N'utilisez pas le poêle si le verre est cassé.

- Si le verre de votre poêle se brise, remplacez-le uniquement par le verre fourni par votre revendeur de chauffage. Ne remplacez jamais d'autres matériaux par le verre.

- Pour remplacer la vitre, retirez les vis retenant les moules en verre à l'intérieur de la porte. Retirez les moules et remplacez la pièce endommagée par une nouvelle. Effectuez la procédure à l'envers après l'avoir remplacé. Lors du remplacement de la vitre, vous devez changer le joint en verre pour vous assurer de le garder scellé.

- Ne lavez jamais la vitre avec un produit qui pourrait rayer. Utilisez un produit spécialisé, disponible dans les magasins où les poêles à bois sont vendus. Le verre ne doit être lavé qu'à froid.

ENTRETIEN DES JOINT

COMMANDE DE PIÈCES DE RECHANGE

POUR L'ASSISTANCE SUR LES PIÈCES, APPELEZ LE 800-750-2723, POSTE 5051 OU PAR COURRIEL: PARTS@USSSTOVE.COM

Les informations contenues dans ce manuel du propriétaire sont spécifiques à votre appareil. Lors de la commande de pièces de rechange, les informations contenues dans ce manuel vous aideront à vous assurer que les bons articles sont commandés. Avant de contacter le service client, notez le numéro de modèle et le numéro de série de cet appareil. Cette information se trouve sur l'étiquette de certification apposée à l'arrière de l'appareil. D'autres informations qui pourraient être nécessaires sont le numéro de pièce et la description de l'article en question. Les références et les descriptions se trouvent dans la section «Pièces de réparation» de ce manuel. Une fois ces informations recueillies, vous pouvez contacter le service client par téléphone au 1-800-750-2723, poste 5051 ou par e-mail à parts@ussstove.com.

Informations sur le modèle	
Numéro de modèle	
Numéro de série	

AVERTISSEMENT:

CE POÊLE À BOIS DOIT ÊTRE INSPECTÉ ET RÉPARÉ PÉRIODIQUEMENT POUR FONCTIONNER CORRECTEMENT. IL EST CONTRAIRE À LA RÉGLEMENTATION FÉDÉRALE DE FAIRE FONCTIONNER CE POÊLE À BOIS D'UNE MANIÈRE NON CONFORME AUX INSTRUCTIONS D'UTILISATION DE CE MANUEL.

La porte de cet appareil utilise un joint de corde de 3/4 po de diamètre. Il est recommandé de changer le joint de porte (qui rend la porte de votre poêle étanche à l'air) une fois par an, afin d'assurer un bon contrôle de la combustion, une efficacité et une sécurité maximales. Pour changer le joint de porte, retirez simplement celui qui est endommagé. Nettoyez soigneusement la rainure du joint disponible, appliquez un silicone haute température vendu à cet effet et installez le nouveau joint. Vous pouvez rallumer votre poêle environ 24 heures après avoir terminé cette opération.

AVERTISSEMENT:

N'UTILISEZ JAMAIS LE POÊLE SANS JOINT OU AVEC UN CASSE. DES DOMMAGES AU POÊLE OU À L'INCENDIE DE LA MAISON PEUVENT EN RÉSULTER.

FUMÉE VISIBLE

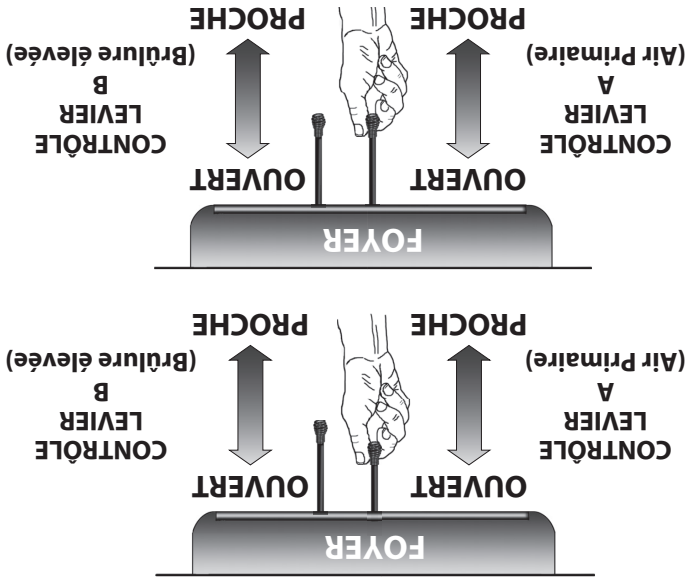
La quantité de fumée visible produite peut être une méthode efficace pour déterminer l'efficacité du processus de combustion aux paramètres donnés. La fumée visible est constituée de combustible non brûlé et d'humidité sortant de votre poêle. Apprenez à régler les paramètres d'air de votre unité spécifique pour produire la plus petite quantité de fumée visible. Le bois qui n'a pas été correctement séché et qui a une teneur élevée en humidité produira un excès de fumée visible et brûlera mal.

CONDUITS D'AIR

Les conduits d'air assemblés dans cette unité sont conçus pour offrir un mélange précis d'air secondaire et assurer une plus grande efficacité. Tout dommage ou détérioration de ces conduits peuvent réduire l'efficacité de la combustion. Les conduits d'air sont maintenus en position par des vis ou par des goupilles de blocage. Localisez et enlevez-les des deux côtés du conduit pour le retirer et le remettre en place.

FONCTIONNEMENT DE LA SOUFFLERIE

Le ventilateur à vitesse variable fait circuler l'air réchauffé par la chambre de combustion dans le salon pour répartir la chaleur plus uniformément. Le bouton de commande du ventilateur est situé sur le côté du boîtier du ventilateur. Tournez le bouton dans le sens des aiguilles d'une montre pour mettre le ventilateur en marche. La vitesse est contrôlée en tournant le bouton dans le sens des aiguilles d'une montre pour des vitesses plus lentes et dans le sens inverse des aiguilles d'une montre pour des vitesses plus rapides. Pour arrêter le ventilateur, tournez le bouton de commande de vitesse à fond dans le sens antihoraire. Il est recommandé d'éteindre le ventilateur lorsque l'unité n'est pas en fonctionnement. Le ventilateur doit être retiré au début de chaque saison de «brûlure» et nettoyé par soufflage à l'air, en éliminant toute poussière ou accumulation.



AVERTISSEMENTS:

- NE JAMAIS SURCHAUFFER VOTRE POÊLE. SI UNE PARTIE DU POÊLE COMMENCE À LUMIÈRE ROUGE, PLUS DE CUISON ARRIVE. RÉAJUSTEZ LA COMMANDE D'ADMISSION D'AIR À UN RÉGLAGE PLUS BAS.
- L'INSTALLATION D'UN BERCEAU À BÛCHES OU DE GRILLES N'EST PAS RECOMMANDÉE DANS VOTRE POÊLE À BOIS. CONSTRUISEZ LE FEU DIRECTEMENT SUR FIREBRICK.
- NE METTEZ JAMAIS DE BOIS AU-DESSUS DE LA DOUBLURE DU FEU DE FEU.
- LES TENTATIVES POUR ATTEINDRE DES DÉBITS DE CHALEUR SUPÉRIEURS AUX SPÉCIFICATIONS DE CONCEPTION DU RÉCHAUFFEUR PEUVENT ENTRAÎNER DES DOMMAGES PERMANENTS AU RÉCHAUFFEUR.

seul du bois de cordon bien séché soit brûlé (voir la section «Recommandations de carburant» de ce manuel). La combustion de bois humide non séché ne fait que nuire à l'efficacité de vos poêles et entraîne une accumulation accélérée de créosote dans votre cheminée. Soyez respectueux de l'environnement et ne brûlez que du bois sec.

ATTENTION:
NE LAISSEZ PAS L'APPAREIL SANS SURVEILLANCE AVEC LA PORTE OUVERTE.

Pour un démarrage à froid, placez 4 à 5 morceaux de papier journal dans la chambre de combustion. Sur le dessus du journal, déposez 5 lb de bois d'allumage dans un emplacement aléatoire pour assurer la circulation de l'air à travers le bois d'allumage. Sur le bois d'allumage, placez environ 6,5 lb de petits morceaux de bois de corde. REMARQUE: Utilisez de plus petits morceaux de bois pendant le démarrage et un taux de combustion élevé pour augmenter la température du poêle.



Poussez les deux glissières de commande d'air en position complètement ouverte. Allumez le journal et fermez la porte. Une fois que le bois d'allumage a brûlé jusqu'à un lit de charbon de démarrage, chargez l'unité avec environ 26 à 27 lb de carburant pour la première charge de combustion élevée.



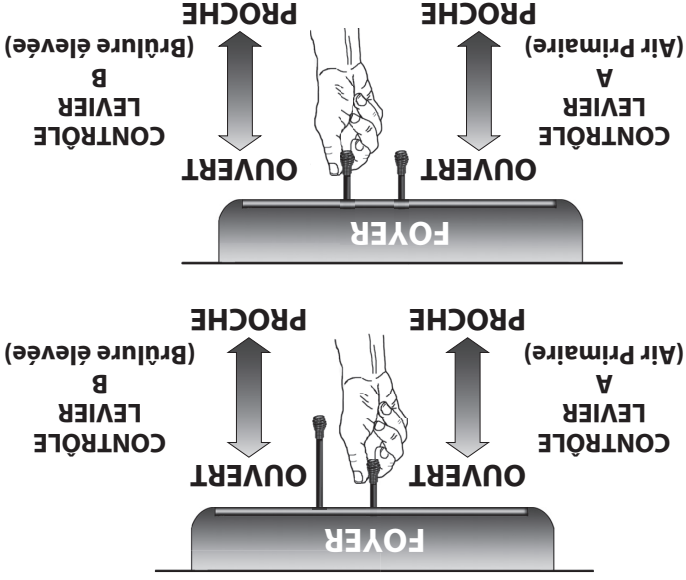
Après la première charge de combustion élevée et le poêle est bien réchauffé, ajustez l'unité au besoin pour un réglage de combustion moyen ou faible.

Pour une combustion moyenne, une fois que la charge de combustible à combustion élevée est brûlée jusqu'à un lit de charbon établi, chargez l'unité avec 31 à 32 lb de bois de corde et gardez la porte légèrement ouverte pendant 2 minutes. Après

deux minutes, fermez la porte. Gardez le toboggan secondaire complètement ouvert pendant 10 minutes puis fermez-le complètement et réglez le toboggan primaire à moitié fermé. Au moment de 15 minutes de chargement de votre carburant, la glissière d'air primaire doit être réglée sur le réglage moyen qui est d'environ 1/2 pouce ouvert à partir de la position complètement fermée.



Pour un réglage de combustion faible une fois que la charge de combustible à combustion élevée (ou moyenne) est brûlée jusqu'à un lit de charbon établi, chargez l'unité avec 31 à 32 lb de bois de corde et laissez la porte ouverte pendant deux minutes. Après deux minutes, fermez la porte. Gardez le toboggan secondaire complètement ouvert pendant 10 minutes puis fermez-le complètement et réglez le toboggan primaire à moitié fermé. Au moment de 15 minutes de chargement de votre carburant, la glissière d'air primaire doit être réglée sur le réglage bas qui tire complètement la glissière d'air vers vous. REMARQUE: ne fermez pas l'air trop rapidement. Fermer l'air trop rapidement fera fumer l'appareil.



complètement durci et devrait être séché plus longtemps. Il est EXTREMENT IMPORTANT d'utiliser du BOIS SEC uniquement dans votre poêle à bois. Le bois doit avoir séché pendant 9 à 15 mois, de sorte que la teneur en humidité (en poids) soit réduite en dessous de 20% du poids de la bûche. Il est très important de garder à l'esprit que même si le bois a été coupé pendant un, deux ans ou même plus, il n'est pas nécessairement sec s'il a été stocké dans de mauvaises conditions. Dans des conditions extrêmes, il peut pourrir au lieu de sécher. Ce point ne peut pas être surestimé; la grande majorité des problèmes liés au fonctionnement d'un poêle à bois est due au fait que le bois utilisé était trop humide ou avait séché dans de mauvaises conditions. Ces problèmes peuvent être:

- problèmes d'allumage
- accumulation de créosote provoquant des feux de cheminée
- faible rendement énergétique
- fenêtres noircies
- combustion de bûches incomplète

Ne brûlez pas de bûches fabriquées à partir de sciure de bois imprégnée de cire ou de bûches contenant des additifs chimiques. Les bûches fabriquées à 100% de sciure compressée peuvent être brûlées, mais soyez prudent en brûlant trop de ces bûches en même temps. Commencez avec une bûche fabriquée et voyez comment le poêle réagit. Vous pouvez augmenter le nombre de bûches brûlées à la fois, mais assurez-vous que la température ne dépasse jamais 475 ° F (246 ° C) sur un thermomètre magnétique pour une installation sur des tuyaux de poêle à paroi simple. Le thermomètre doit être placé à environ 18 "(457 mm) au-dessus du poêle. Des températures plus élevées peuvent entraîner une surchauffe et endommager votre poêle.



TESTER VOTRE BOIS

- Lorsque le poêle est bien réchauffé, placez un morceau de bois fendu (environ cinq pouces de diamètre) parallèle à la porte sur le lit de braises rouges.
- Gardez la commande d'air complètement ouverte et fermez la porte. Si le bois s'enflamme dans les 90 secondes suivant le moment où il a été placé dans le poêle, votre bois est correctement séché. Si l'allumage prend plus de temps, votre bois est humide.

ALTERER AVERTISSEMENT

- Si votre bois siffle et que de l'eau ou de la vapeur s'échappe aux extrémités de la pièce, votre bois est trempé ou fraîchement coupé (vert). N'utilisez pas ce bois dans votre poêle. De grandes quantités de créosote pourraient se déposer dans votre cheminée, créant des conditions potentielles pour un feu de cheminée.

Ce chauffage au bois a un taux de combustion minimum réglé à la fabrication, et qui ne peut être modifié. La modification de ce réglage ou une utilisation autre de ce chauffage au bois qui ne

EFFICACITÉ

respecterait pas les directives du présent manuel contrevient aux réglementations fédérales.

Les rendements peuvent être basés sur la valeur calorifique inférieure (LHV) ou la valeur calorifique supérieure (HHV) du combustible. La valeur calorifique inférieure est lorsque l'eau quitte le processus de combustion sous forme de vapeur, dans le cas des poêles à bois, l'humidité du bois brûlé quitte le poêle sous forme de vapeur. Le pouvoir calorifique supérieur est lorsque l'eau quitte le processus de combustion complètement condensée. Dans le cas des poêles à bois, cela supposerait que les gaz d'échappement sont à température ambiante à la sortie du système, et donc les calculs utilisant cette valeur de chauffage considèrent la chaleur qui monte dans la cheminée comme une énergie perdue. Par conséquent, l'efficacité calculée en utilisant le pouvoir calorifique inférieur du bois sera supérieure à l'efficacité calculée en utilisant le pouvoir calorifique supérieur. La meilleure façon d'atteindre des rendements optimaux est d'apprendre les caractéristiques de combustion de votre appareil et de brûler du bois bien séché. Des taux de combustion plus élevés ne sont pas toujours les meilleurs taux de combustion par chauffage; après avoir établi un bon feu, un taux de combustion inférieur peut être une meilleure option pour un chauffage efficace. Un taux de combustion inférieur ralentit le flux de chaleur utilisable hors de la maison par la cheminée, et il consomme également moins de bois.

NOTIFICATION - LES PREMIERS FEUX POUR SÉCHER LA PEINTURE

À CAUSE DES HAUTES TEMPÉRATURES ATTEINTES LORS DU FONCTIONNEMENT, CET APPAREIL EST REVÊTU D'UNE PEINTURE SPÉCIALE CONÇUE POUR LES HAUTES TEMPÉRATURES. ELLE EXIGE UNE SÉRIE DE FEUX À INTENSITÉ BASSE ET MOYENNE POUR SÉCHER ENTièrement ET AINSI GARANTIR LA DURABILITÉ ET LA VIE DE SERVICE. Le séchage correct de la peinture à haute température exige une série de trois feux initiaux. L'appareil devrait être refroidi entre chaque feu. Les deux premiers feux devraient être des petits feux à température basse (250°F) pour une durée de 20 minutes chacun. Le troisième feu devrait être à une température moyenne (500°F à 700°F) pendant 20 minutes. Aérez de façon suffisante pour éliminer la fumée ou les odeurs causées par ces feux.

Remarque: utilisez uniquement du bois de chauffage solide! Ne brûlez pas les ordures ou les liquides inflammables. N'utilisez pas de charbon. Cet appareil n'est pas conçu pour accueillir le débit d'air (tirage) requis pour brûler correctement le charbon ou les produits du charbon. Ne pas élever le feu à l'aide de grilles ou de fers. Construisez le feu directement sur la brique réfractaire.

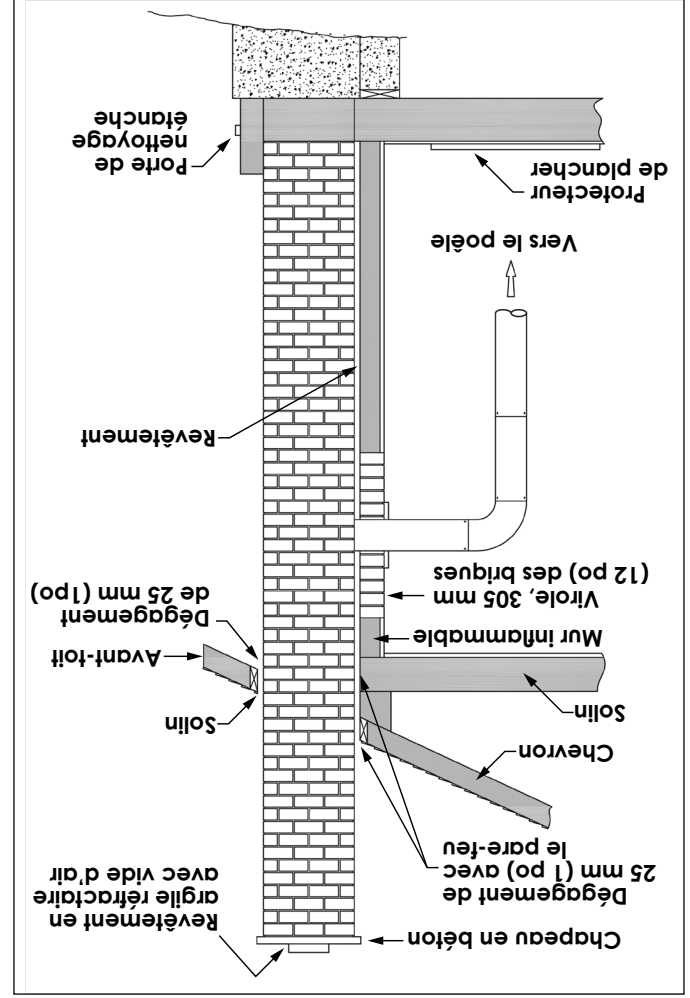
INSTRUCTIONS DE RAVITAILEMENT

Ce poêle à bois a été certifié par l'US EPA pour répondre aux strictes directives 2020. Pour garantir que cet appareil produit les émissions minimales optimales, il est essentiel que

cheminée, etc. Maintenez un dégagement approprié avec la structure tel que recommandé par le fabricant. La cheminée doit avoir la hauteur requise au-dessus du toit ou d'autres obstructions pour des raisons de sécurité et un bon tirage.

CHEMINÉE EN MAÇONNERIE

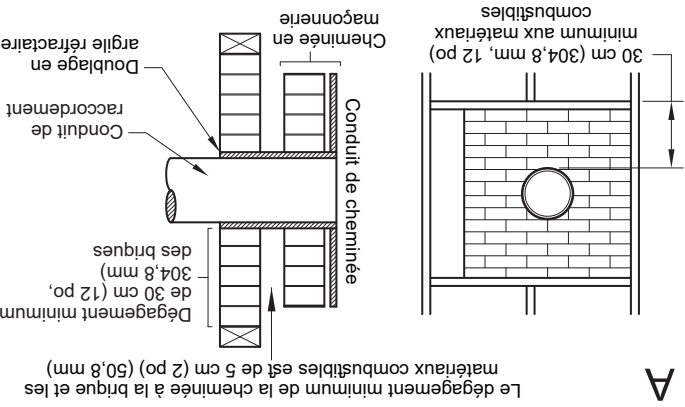
Assurez-vous qu'une cheminée en maçonnerie réponde aux standards minimum de l'Association nationale de protection contre les incendies (NFPA) en la faisant inspecter par un professionnel. Assurez-vous qu'il n'y ait pas de fissures, de mortiers perdus ou d'autres signes de détérioration et de blocage. Faites nettoyer la cheminée avant d'installer et de faire fonctionner le poêle. Lors du raccordement du poêle à travers une paroi combustible vers une cheminée en maçonnerie, des méthodes spéciales sont requises.



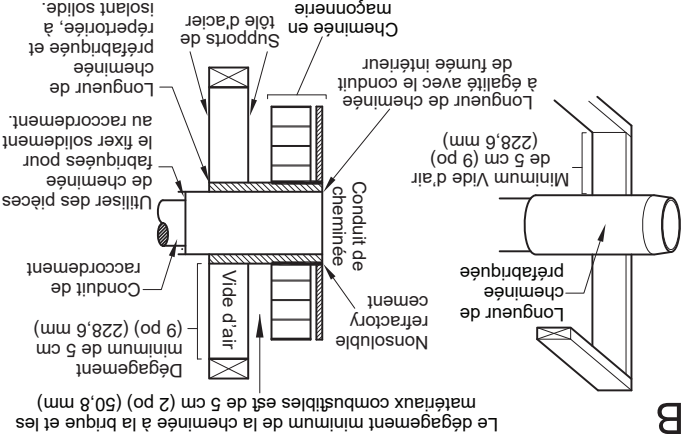
PASSAGES DE RACCORDEMENT DE CHEMINÉE À TRAVERS UNE PAROI COMBUSTIBLE

Méthode A. Dégagement de 12 po (304,8 mm) avec un membre de paroi combustible: En utilisant des briques d'une épaisseur minimale de 3,5 po (89 mm) et un revêtement en argile d'une épaisseur minimale de 5/8 po (15,9 mm), construisez un passage à travers la paroi. Le revêtement en argile doit être conforme

à l'ASTM C315 (Spécification standard des revêtements réfractaires en argile) ou son équivalent. Maintenez un minimum de 12 po (304,8 mm) de maçonnerie en briques entre le revêtement en argile et les matières combustibles de la paroi. Le revêtement en argile devra s'étendre de la surface extérieure de la maçonnerie en briques jusqu'à la surface intérieure du revêtement du carneau de la cheminée mais pas au-delà de la surface intérieure. Coulez ou cimentez fermement le revêtement en argile en place dans le revêtement du carneau de la cheminée.



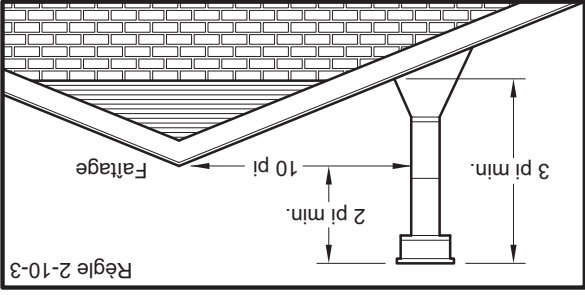
Méthode B. Dégagement de 9 po (228,6 mm) avec un membre de paroi combustible: En utilisant une partie de cheminée Solid-Pak fabriquée en usine, agrée, de 6 po (152,4 mm) de diamètre intérieur avec une isolation de 1 po (25,4 mm) ou plus, construisez un passage à travers la paroi avec une couche d'air de 9 po (228,6 mm) minimum entre la paroi extérieure de la cheminée et les matières combustibles de la paroi. Utilisez des supports en tôle fixés de façon sûre aux surfaces de la paroi sur tous les côtés afin de maintenir une couche d'air de 9 po (228,6 mm). Lors de la fixation des supports sur la cheminée la cheminée, ne pénétrez pas dans le revêtement de la cheminée (la paroi intérieure de la cheminée Solid-Pak). L'extrémité du revêtement de la section de la cheminée Solid-Pak devra affleurer l'intérieur du carneau de la cheminée en maçonnerie, et être scellée avec un ciment réfractaire non soluble dans l'eau. Utilisez ce ciment pour également cafferuter la pénétration de la maçonnerie en briques.



IMPORTANT D'UN TIRAGE ADEQUAT

Le tirage est une force déplaçant l'air de l'appareil vers la cheminée. La quantité de tirage dans votre cheminée dépend de la longueur de la cheminée, son emplacement géographique local, les obstructions à proximité et d'autres facteurs. Trop de tirage peut causer des températures excessives dans l'appareil et pourrait l'endommager. Un tirage inadéquat peut causer des retours de fumée dans la pièce et causer l'obturation de la cheminée. Un tirage inadéquat causera des fuites de fumée par l'appareil dans la pièce, s'infiltrant par l'appareil, et les joints du conduit de raccordement. Un brûlage incontrôlable ou une température excessive indique un tirage excessif.

CHEMINÉE

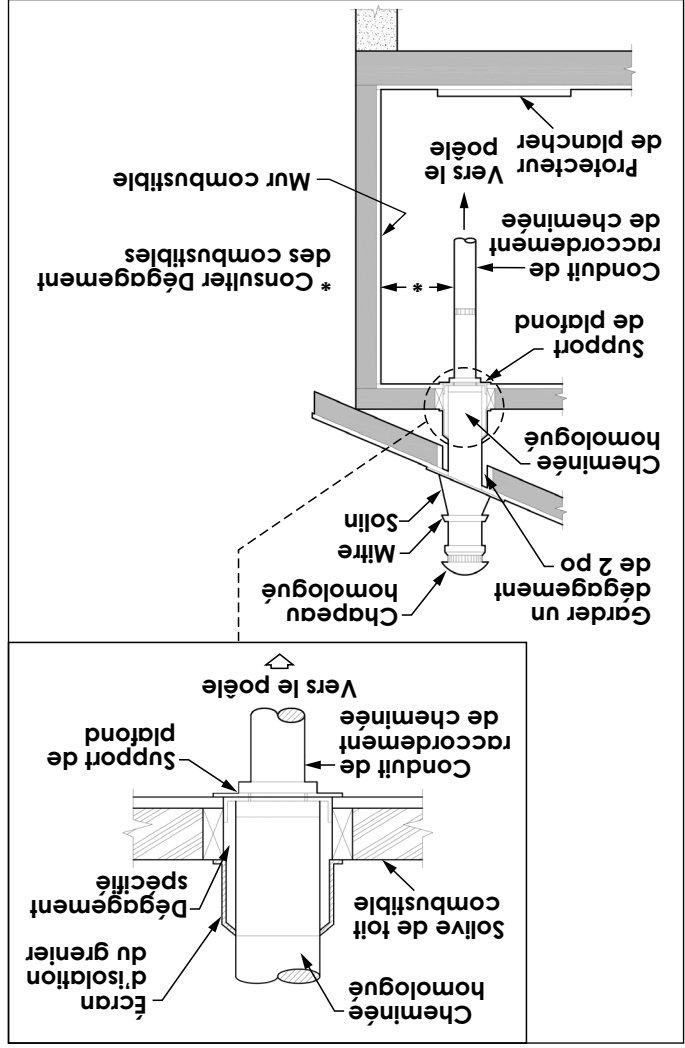


Votre poêle à bois peut être raccordé à une cheminée préfabriquée de 6 po ou en maçonnerie. Si vous utilisez une cheminée préfabriquée, elle doit être conforme à la norme UL 103 ou CSA-B365; il doit donc s'agir d'un type HT (2100 ° F). Il doit être installé conformément aux spécifications du fabricant. Tenez compte de l'emplacement de la cheminée pour vous assurer qu'elle n'est pas trop près des voisins ou dans une vallée, ce qui peut causer des conditions insalubres ou nuisibles. Si vous utilisez une cheminée en maçonnerie, elle doit être construite conformément aux spécifications du Code national du bâtiment. Il doit être recouvert de briques d'argile réfractaire, de tuiles métalliques ou d'argile scellées avec du ciment réfractaire. Les conduits ronds sont les plus efficaces. Le diamètre intérieur du conduit de cheminée doit être identique à celui de l'évacuation des fumées du poêle. Un conduit trop petit peut poser des problèmes de tirage, tandis qu'un gros conduit favorise un refroidissement rapide du gaz, et donc l'accumulation de crésote et le risque d'incendies de cheminée. Notez que c'est la cheminée et non le poêle qui crée l'effet de tirage; la performance de votre poêle dépend directement d'un tirage adéquat de votre cheminée. **Ne raccordez pas cet appareil à un conduit de cheminée desservant un autre appareil.** Les recommandations suivantes peuvent être utiles pour l'installation de votre cheminée:

1. Ne connectez pas cette unité à un carneau de cheminée utilisé par un autre appareil.
2. Elle doit s'élever au-dessus du toit d'au moins 3 pi (0,9 m) à partir du point le plus haut de contact.
3. La cheminée doit dépasser toute partie de la construction ou autre obstruction à moins de 10 pi (3,04 m) d'une hauteur de 2 pi (0,6 m).

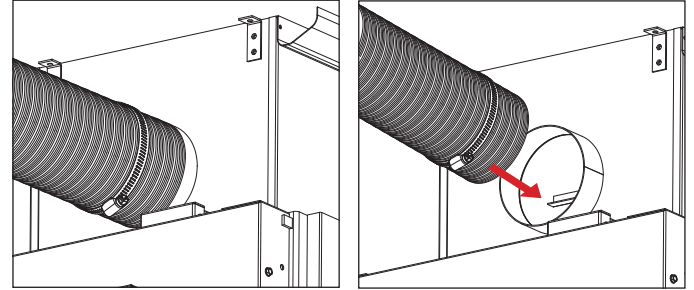
CHEMINÉE FABRIQUÉE EN USINE

4. L'installation d'une cheminée intérieure est toujours préférable à une cheminée extérieure. En effet, la cheminée intérieure, sera, par définition, plus chaude qu'une cheminée extérieure, étant donné qu'elle est chauffée par l'air ambiant de la maison. Par conséquent, le gaz qui circule se refroidira plus lentement, réduisant ainsi l'accumulation de crésote et le risque de feux de cheminée.
5. Le tirage entraîné par la tendance de l'air chaud à s'élever sera augmenté avec une cheminée intérieure.
6. L'utilisation d'un pare-feu à l'extrémité de la cheminée requiert une inspection régulière afin de garantir qu'il n'est pas obstrué, bloquant donc le tirage et devra être nettoyé lorsqu'il est utilisé régulièrement.



Qu'une cheminée métallique préfabriquée est utilisée, les instructions d'installation du fabricant doivent être respectées. Vous devez également acheter (auprès du même fabricant) et installer l'ensemble de support du toit ou le passage du toit et l'ensemble de la partie en "T", des coupe-feux (si nécessaires), un écran d'isolation, un chaperon de toiture, un chapeau de

- La maison est équipée d'un pare-vapeur parfaitement étanche et de fenêtres bien ajustées et/ou dispose d'appareils électriques qui expulsent l'air de la maison.
- Il y a une condensation excessive sur les vitres en hiver.
- Un système de ventilation est installé dans la maison.



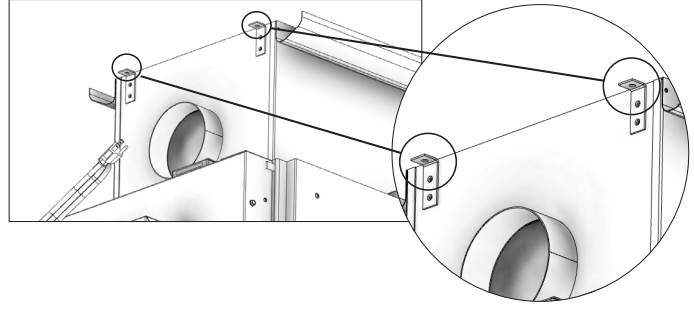
Faites glisser le collier de serrage sur le tuyau flexible en aluminium. Ensuite, glissez le tuyau flexible sur le tube d'admission d'air du poêle. Serrez ensuite le collier de serrage sur l'extrémité du tuyau flexible en aluminium.

POUR UTILISATION DANS DES MAISONS MOBILES
«INSTALLATIONS AUX É.-U. UNIQUEMENT»:

- ATTENTION! NE PAS INSTALLER DANS LA CHAMBRE À COUCHER.
- MISE EN GARDE! L'INTÉGRITÉ STRUCTURELLE DU PLANCHER, DU MUR ET DU PLAFOND / DU TOIT DE LA MAISON MOBILE DOIT ÊTRE MAINTENUE.
- INSTALLER CONFORMÈMENT AU 24 CFR, PARTIE 3280 «HUD».
- UTILISEZ UNE CHEMINÉE FABRIQUÉE EN USINE ET CONFORME AUX NORMES UL 103. CELA DOIT DONC ÊTRE UN TYPE HT «2100-F».
- UTILISEZ UN AGRESSEUR À ÉTINCELLES
- LE POÊLE DOIT ÊTRE FIXÉ À LA STRUCTURE DE LA MAISON MOBILE. UTILISEZ LES DEUX «2» TROUS AU FOND DU PIÉDESTAL DE LA RADIATEUR POUR FIXER L'APPAREIL AU SOL.

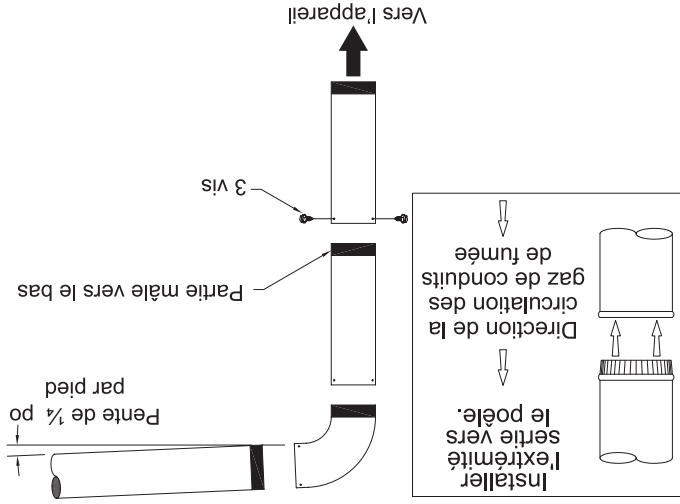
FIXEZ L'APPAREIL AU SOL

Utilisez les trous désignés pour fixer l'unité au sol.



En plus des exigences d'installation précédemment détaillées, le radiateur doit être mis à la terre électriquement au châssis en acier de la maison mobile avec un fil de cuivre 8 GA à l'aide d'une rondelle dentelée ou en étoile pour pénétrer la peinture ou le revêtement de protection pour assurer la mise à la terre.

RACCORD DE CHEMINÉE (TUYAU PLISSÉ)



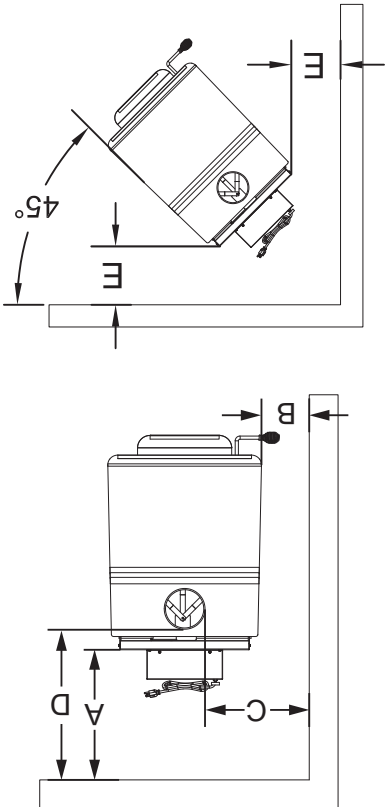
Le raccord de cheminée et la cheminée doivent avoir le même diamètre que la sortie du poêle (6"). Si ce n'est pas le cas, nous vous recommandons de contacter votre revendeur pour vous assurer qu'il n'y aura pas de problème avec le tirage. Le tuyau de poêle doit être en acier aluminisé ou laminé à froid et avoir une épaisseur minimale de 0,021 po ou 0,53 mm. Il est strictement interdit d'utiliser de l'acier galvanisé. Le tuyau de fumée doit être assemblé pour favoriser la section mâle (extrémité sertie) du tuyau à être tournée vers le bas. Fixez chaque section à une autre avec trois vis métalliques espacées d'une distance égale. Le tuyau doit être court et droit. Toutes les sections installées horizontalement doivent être inclinées d'au moins 1/4 de pouce par pied, avec l'extrémité supérieure de la section vers la cheminée. Toute installation avec un tuyau de cheminée horizontal doit être conforme à la norme NFPA 211. Pour assurer un bon tirage, la longueur totale du tuyau de couplage ne doit jamais dépasser 8 pi à 10 pi (2,4 m à 3,04 m). Sauf pour les cas d'installation verticale, dans un style toit cathédrale où le système d'évacuation des fumées peut être beaucoup plus long et raccordé sans problème à la cheminée au plafond de la pièce. Il ne devrait jamais y avoir plus de deux coudes à 90 degrés dans le système d'évacuation des fumées. L'installation d'un «stabilisateur de tirage barométrique» (registre de cheminée) sur un système d'évacuation des fumées est interdite. De plus, l'installation d'un registre de tirage n'est pas recommandée. Avec un poêle à bois à combustion contrôlée, le tirage est réglé à l'entrée de l'air de combustion dans le poêle et non à l'échappement.

1. Votre poêle n'aspire pas de façon continue, une dispersion des fumées a lieu, le bois brûle mal, ou des contre-explosions se produisent qu'il y ait ou non des matières combustibles.
2. Les appareils à foyer existants au sein du domicile, tels que des cheminées ou d'autres appareils de chauffage, émettent des odeurs, ne fonctionnent pas correctement, émettent des fumées lorsqu'ils sont ouverts ou des contre-explosions se produisent qu'il y ait ou non des matières combustibles.
3. Ouvrir légèrement une fenêtre lors d'un jour calme « sans vent » réduit les symptômes ci-dessus.

L'air de combustion extérieur peut être requis si : relatives à l'installation sont fournies avec le kit d'admission le numéro de pièce mentionné dans ce livret. Les instructions de votre vendeur d'appareils de chauffage. Assurez-vous d'indiquer la pression négative. Vous pouvez acheter cette option auprès de maisons étanches et les maisons ayant des problèmes de mobile. Ce type d'installation est également requis dans les entrées d'air extérieur «4FAK» nécessaires pour une maison mobile. Ce type d'installation est également requis dans les maisons étanches et les maisons ayant des problèmes de

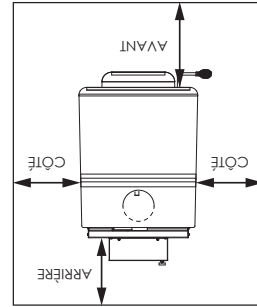
AIR DE COMBUSTION EXTÉRIEUR

A	Mur arrière au poêle	17 po	432 mm
B	Paroi latérale au poêle	26 po	661 mm
C	Flanc à conduit	35 po	889 mm
D	Mur arrière à la cheminée	19 po	483 mm
E	Mur à coin (installation en angle)	18 po	458 mm



DÉGAGEMENTS AUX COMBUSTIBLES

Avant	18 po	458 mm
Arrière	8 po	204 mm
Côtés	8 po	204 mm



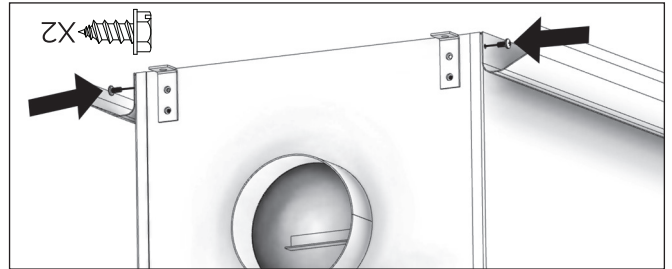
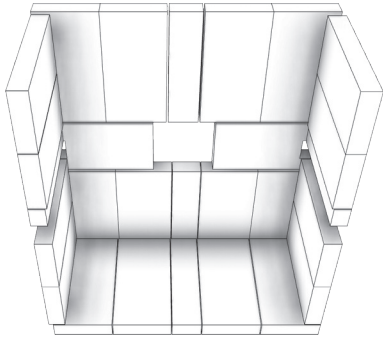
Cet appareil de chauffage doit avoir un protecteur de sol incombustible avec une valeur R d'au moins 1,2 installée en dessous de celui-ci si le sol est construit en matériau combustible. Si un tampon de sol est utilisé, il doit être répertorié UL ou équivalent. Le protecteur de sol doit être suffisamment grand pour s'étendre sous le poêle et au-delà de chaque côté, comme indiqué. S'il y a un conduit de cheminée horizontal, il doit y avoir une protection du plancher dessous qui s'étend de deux

poches au-delà de chaque côté du tuyau.

- Il est de la plus haute importance que les dégagements aux matériaux combustibles soient strictement respectés lors de l'installation du poêle.
- La hauteur du sol au plafond doit être d'au moins 7 pi (2,13 m) dans tous les cas.
- Ne placez aucun matériau combustible à moins de 4 pi (1,2 m) de l'avant de l'appareil.
- Le jeu entre le conduit de fumée et un mur n'est valable que pour les murs verticaux et pour le conduit de fumée vertical.
- S'il y a un tuyau horizontal de conduit de fumée, il doit y avoir au moins 18 po de dégagement entre le tuyau et le plafond. Il doit également y avoir une protection de plancher sous le conduit horizontal qui s'étend de 2 po au-delà de chaque côté du conduit de fumée.
- Le raccord de cheminée ne doit pas traverser un grenier ou un espace sur le toit, un placard ou un espace dissimulé similaire, un plancher ou un plafond.
- Pour les installations canadiennes, où le passage à travers un mur ou une cloison de construction combustible est souhaité, l'installation doit être conforme à la norme CAN / CSA-B365.
- Un conduit de fumée traversant un mur combustible doit avoir un dégagement minimum de 18 po (458 mm).
- Pour réduire les dégagements du conduit de fumée par rapport aux matériaux combustibles, contactez votre service de sécurité local.

CONFIGURATION DE BRIQUES RÉFRACTAIRES

Remplacez la brique réfractaire comme indiqué sur l'illustration.



INSTALLATION

AVIS DE SÉCURITÉ:

- L'INSTALLATION INCORRECTE DE CE POÊLE POURRAIT ENTRAÎNER L'INCENDIE DU DOMICILE. AFIN DE RÉDUIRE LE RISQUE D'INCENDIE, RESPECTEZ LES INSTRUCTIONS D'INSTALLATION. NE PAS RESPECTER LES INSTRUCTIONS PEUT ENTRAÎNER DES DOMMAGES MATÉRIELS, DES BLESSURES PERSONNELLES VOIRE LA MORT !
- CONSULTEZ LES FONCTIONNAIRES MUNICIPAUX DE CONSTRUCTION OU DE LUTTE CONTRE LES INCENDIES AFIN DE CONNAÎTRE LES LIMITATIONS ET LES EXIGENCES D'INSTALLATION DE VOTRE RÉGION.
- UTILISEZ DES DÉTECTEURS DE FUMÉE DANS LA PIÈCE DANS LAQUELLE LE POÊLE EST INSTALLÉ.
- MAINTENEZ LE MOBILIER ET LES RIDEAUX ÉLOIGNÉS DU POÊLE.
- N'UTILISEZ PAS D'ESSENCE, DE COMBUSTIBLE POUR D'ALLUMAGE DE CHARBON OU DE LIQUIDES SIMILAIRES POUR DÉMARRER OU « RAVIVER » UN FEU DANS CE POÊLE. MAINTENEZ TOUS CES LIQUIDES ÉLOIGNÉS DU POÊLE.
- EN CAS D'INCENDIE DE CHEMINÉE, FERMEZ COMPLÈTEMENT LA COMMANDE D'AIR AFIN DE PRIVÉ LE FEU D'OXYGÈNE. APPELEZ LES POMPIERS.
- NE CONNECTEZ PAS LE POÊLE À UN CONDUIT OU CIRCUIT DE DISTRIBUTION D'AIR.
- UNE SOURCE D'AIR FRAIS DANS LA PIÈCE OU L'ESPACE CHAUFFÉ DEVRA ÊTRE FOURNIE SI NÉCESSAIRE.

POSITIONNEMENT DU POÊLE

US Stove recommande fortement que votre poêle soit installé par un technicien qualifié NFI (US) ou WETT (Canada). Pour trouver l'installateur qualifié le plus proche, accédez à : <https://www.nficertified.org>, or <https://www.wettinc.ca>

We recommend that our woodburning hearth products be installed and serviced by professionals who are certified in the U.S. by the National Fireplace Institute® (NFI) as NFI Woodburning Specialists or who are certified in Canada by Wood Energy Technical Training (WETT).

NATIONAL FIREPLACE INSTITUTE
NFI
CERTIFIED
www.nficertified.org

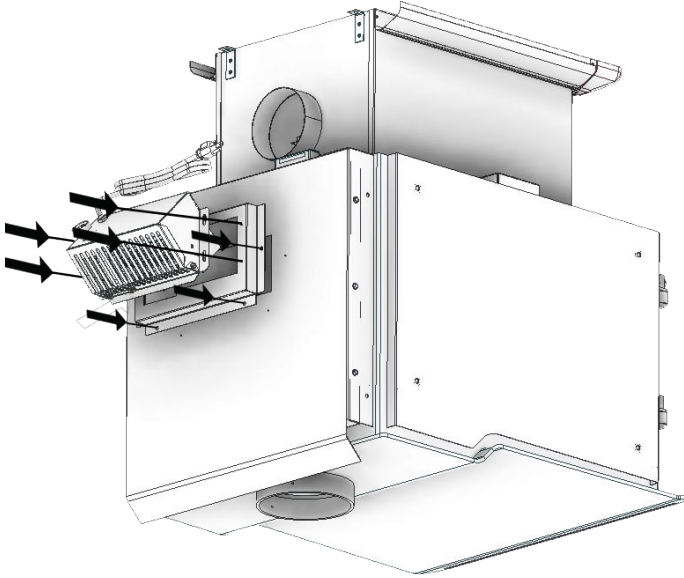
Wood Energy Technical Training (WETT)
www.wettinc.ca

Il est très important de positionner le poêle à bois le plus près possible de la cheminée, et dans un endroit qui favorisera la distribution de chaleur la plus efficace possible dans toute la maison. Le poêle doit donc être installé dans la pièce où est passé le plus de temps, et dans la pièce la plus spacieuse possible. Rappelez-vous que les poêles à bois produisent de la chaleur rayonnante, la chaleur que nous ressentons lorsque nous sommes à proximité d'un poêle à bois. Un poêle à bois fonctionne également par convection, c'est-à-dire par le déplacement de l'air chaud accéléré vers le haut et son remplacement par de l'air plus frais. Si nécessaire, la distribution d'air chaud du poêle peut être facilitée par l'installation d'un ventilateur. Le poêle à bois ne doit pas être raccordé à un système de distribution d'air chaud car une accumulation excessive de chaleur peut se produire. Un poêle à bois ne doit jamais être installé dans un couloir ou à proximité d'un escalier, car il peut bloquer le passage en cas d'incendie ou ne pas respecter les dégagements requis.

POUR L'ASSISTANCE TECHNIQUE, APPELEZ: 800-750-2723 EXT 5050

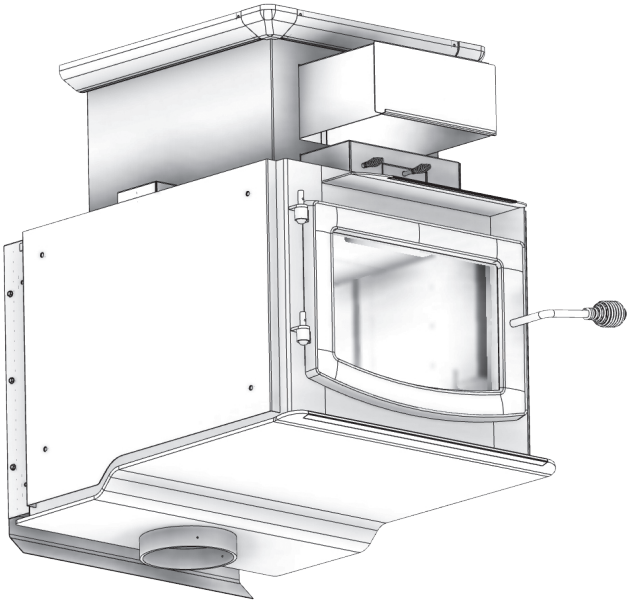
ENSEMBLE DE VENTILATEUR

L'ensemble ventilateur doit être déconnecté de la source d'alimentation électrique avant de tenter l'installation. L'ensemble souffleur est destiné à être utilisé uniquement avec un poêle qui est marqué pour indiquer une telle utilisation. Ne faites pas passer le cordon d'alimentation à proximité ou sur des surfaces chaudes! Fixez l'ensemble à l'arrière du poêle avec les huit vis fournies. **REMARQUE: Le support du ventilateur est inclus dans le cas où un ventilateur est demandé pour cette unité.**



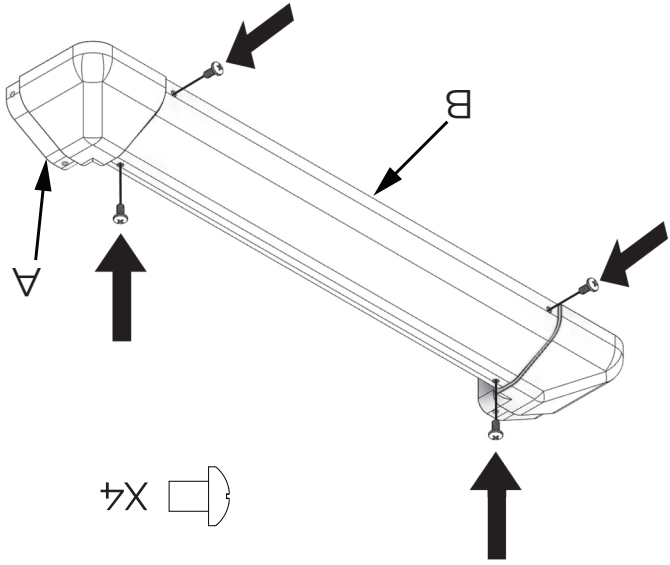
CENDRIER

Le cendrier est situé sous le foyer.

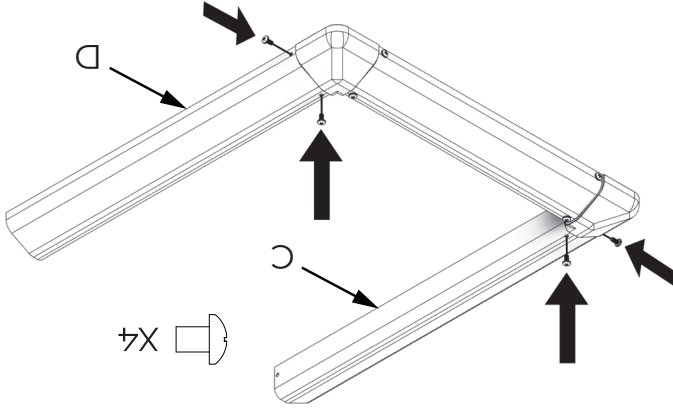


ENSEMBLE DE BASE DE PIÉDESTAL

1. Assemblez la plinthe de la base du socle. Fixez deux pièces d'angle (A) à la section centrale (B) de la plinthe et fixez-les avec quatre (4) vis à tête bombée.



2. Fixez les plinthes latérales (C et D) aux pièces d'angle et fixez-les avec quatre (4) vis à tête bombée.



3. Glissez l'ensemble de plinthe en U autour de la base du socle et fixez-le avec deux vis à tête cylindrique large de 1/4 po aux coins arrière.



Remarque: enregistrez votre produit en ligne sur www.usstove.com ou téléchargez l'application gratuite des aujourd'hui. Cette application est disponible uniquement sur l'App Store pour iPhone et iPad. Recherchez US Stove. Conservez votre reçu avec vos dossiers pour toute réclamation.

customerservice@usstove.com

Écrivez-nous à :

Texte au 423-301-5624 ou;

1-800-750-2723 poste 5050 ou;

Pour le service client, veuillez appeler:

- CHAUD DURANT LE FONCTIONNEMENT. MAINTENEZ LES ENFANTS, LES VÊTEMENTS ET LE MOBILIER ÉLOIGNÉS. TOUT CONTACT PEUT ENTRAÎNER DES BRÛLURES.
- N'UTILISEZ PAS DE PRODUITS CHIMIQUES NI DE FLUIDES POUR DÉMARRER LE FEU.
- NE LAISSEZ PAS LE POÊLE SANS SURVEILLANCE LORSQUE LA PORTE EST LÉGÈREMENT OUVERTE.
- NE BRÛLEZ PAS DE DÉCHETS NI DE FLUIDES INFLAMMABLES TELS QUE L'ESSENCE, LE NAPHTHA OU L'HUILE POUR MOTEUR.
- NE CONNECTEZ PAS LE POÊLE À UN CONDUIT OU CIRCUIT DE DISTRIBUTION D'AIR.
- FERMEZ TOUJOURS LA PORTE APRÈS L'ALLUMAGE.

AVERTISSEMENTS:

Combustible:		Bois	
Couleurs:		Noir	
Diamètre du tuyau de carneau:		6 po (153 mm)	
Type du tuyau de carneau:		Acier noir ou bronze 2100°F (650°C)	
Hauteur minimale de la cheminée:		12 pi (3,7 m)	
Longueur maximale des bûches:		18 po (458 mm)	
Électrique:		120VAC, 0,55A, 60HZ	
Dimensions			
Générales: Profondeur x Largeur x Hauteur:		39 po (995 mm)	24 po (612 mm)
Chambre de combustion: Largeur x Profondeur:		18-5/16 po X 22-1/4 po (466 mm X 565 mm)	
Ouverture de la porte: Largeur x Hauteur:		14-3/4 po 9-7/16 po (375 mm X 241 mm)	
Porte en verre pyrocéramique: (Visualisation) Largeur x Hauteur:		14-9/16 po X 9-5/16 po (369 mm X 237 mm)	

Les instructions relatives à l'installation de votre poêle à bois sont conformes aux normes UL-1482 (R2015) et UL-C-S627. Ce manuel décrit l'installation et le fonctionnement du poêle à bois Vogelzang, VG3200. Cet appareil de chauffage respecte les limites d'émission de bois de construction de 2020 de la US Environmental Protection Agency pour les appareils de chauffage au bois vendus après le 15 mai 2020. Dans des conditions de test spécifiques, il a été démontré que cet appareil de chauffage fournit de la chaleur à des taux allant de 19 778 à 67 992 Btu / h avec 1,3 g / h et 71% d'efficacité. Remarque: Les cotes BTU mentionnées ci-dessus sont basées sur le protocole de test EPA dans des conditions de test spécifiques. Nos BTU annoncés sont basés sur la première heure de fonctionnement à un taux de combustion élevé brûlant du bois de corde.

Manuel d'instructions et d'utilisation du propriétaire

VOGELZANG

Numéro De Modèle:

VG3200-P



Signaler Le Numéro: F20-586

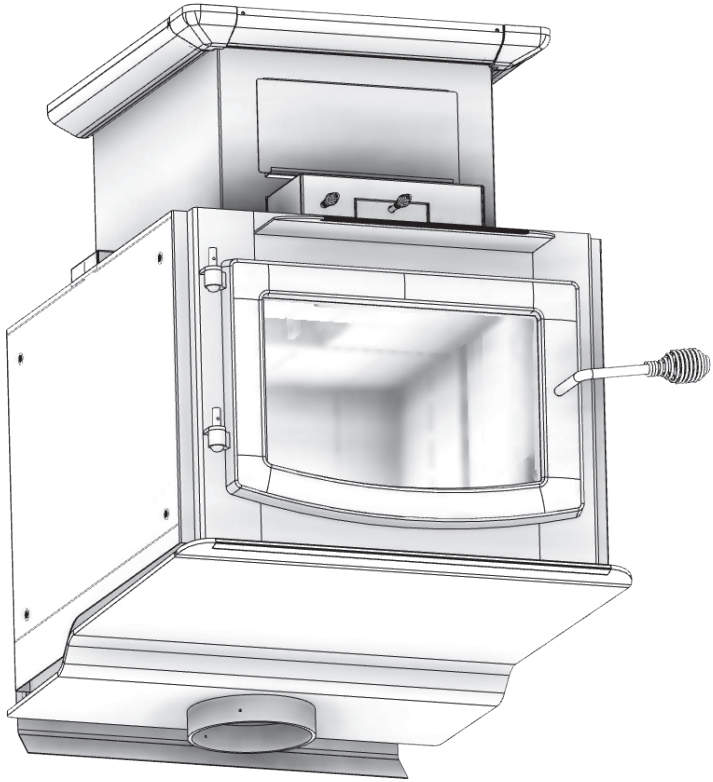
Testé selon les méthodes EPA ALT-125, ASTM E2515, ASTM E3053 et CSA B415

Certifié UL 1482-2011 (R2015)

et ULC-S627-00-REV1

Approuvé pour l'installation de maisons

mobiles aux (USA UNIQUEMENT)



* Toutes les images de ce manuel sont à des fins d'illustration uniquement. Le produit réel peut varier.

Conservez ces instructions dans un endroit sûr pour référence ultérieure.



AVIS DE SÉCURITÉ: Si ce radiateur n'est pas correctement installé, un incendie peut en résulter. Pour votre sécurité, suivez les instructions d'installation. N'utilisez jamais de compromis de fortune lors de l'installation de ce radiateur. Contactez les responsables locaux du bâtiment ou des pompiers pour connaître les permis, les restrictions et les exigences d'installation dans votre région. **NE JAMAIS UTILISER CE PRODUIT SANS SURVEILLANCE.**



MISE EN GARDE! Veuillez lire l'intégralité de ce manuel avant d'installer ou d'utiliser votre nouveau radiateur. Le non-respect des instructions peut entraîner des dommages matériels, des blessures corporelles ou même la mort. Une installation incorrecte pourrait annuler votre garantie!

AGENCE AMÉRICAINE DE PROTECTION DE

L'ENVIRONNEMENT

Certifié conforme aux normes d'émissions de particules 2020.

AVERTISSEMENT SUR LA PROPOSITION 65 DE LA CALIFORNIE:

Ce produit peut vous exposer à des produits chimiques, y compris le monoxyde de carbone, qui est connu dans l'État de Californie pour provoquer le cancer, des anomalies congénitales et / ou d'autres troubles de la reproduction. Pour plus d'informations, visitez www.P65warnings.ca.gov

CE MANUEL EST SUJET À MODIFICATION SANS PRÉAVIS.

Owner's Instruction and Operation Manual

Ashley
America's Hearth Since 1905

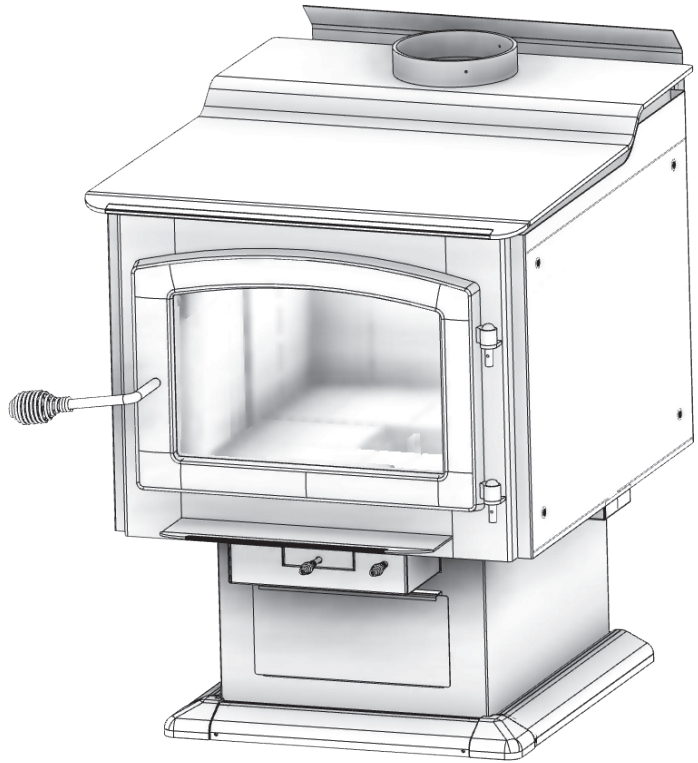
Model Number:

AW3200E-P



Report Number: F20-586

Tested Per EPA Methods ALT-125, ASTM E2515, ASTM E3053 and CSA B415
Certified to UL 1482-2011 (R2015) and ULC-S627-00-REV1
Approved for mobile home installation in (USA ONLY)



* All Pictures In This Manual Are For Illustrative Purposes Only. Actual Product May Vary.

853748F-3703K

Save These Instructions In A Safe Place For Future Reference.



SAFETY NOTICE: If this heater is not properly installed, a house fire may result. For your safety, follow the installation instructions. Never use make-shift compromises during the installation of this heater. Contact local building or fire officials about permits, restrictions and installation requirements in your area. **NEVER OPERATE THIS PRODUCT WHILE UNATTENDED.**



CAUTION! Please read this entire manual before you install or use your new room heater. Failure to follow instructions may result in property damage, bodily injury, or even death. Improper Installation Will Void Your Warranty!

U.S. Environmental Protection Agency

Certified to comply with 2020 particulate emissions standards.



CALIFORNIA PROPOSITION 65 WARNING:

This product can expose you to chemicals including carbon monoxide, which is known to the State of California to cause cancer, birth defects, and/or other reproductive harm. For more information, go to www.P65warnings.ca.gov

THIS MANUAL IS SUBJECT TO CHANGE WITHOUT NOTICE.

The instructions pertaining to the installation of your wood stove comply with UL-1482 (R2015) and ULC-S627 standards. This manual describes the installation and operation of the Ashley, AW3200E wood heater. This heater meets the 2020 U.S. Environmental Protection Agency's cordwood emission limits for wood heaters sold after May 15, 2020. Under specific test conditions this heater has been shown to deliver heat at rates ranging from 19,778 to 67,992 Btu/hr with 1.3 g/hr and 71% efficiency. Note: The BTU ratings mentioned above are based on the EPA test protocol under specific test conditions. Our advertised BTU's are based on the first hour of operation at high burn rate burning cordwood.

Combustible:	Wood		
Colors:	Black		
Flue Pipe Diameter:	6" (153 mm)		
Flue Pipe Type:	Black or Blued Steel 2100°F (650°C)		
Minimum Chimney Height:	12' (3.7 m)		
Maximum Log Length:	18" (458 mm)		
Electrical:	120VAC, 0.55A, 60Hz		
Dimensions			
	DEPTH	WIDTH	HEIGHT
Overall: Depth x Width x Height:	39" (995 mm)	24" (612 mm)	32-1/2" (826 mm)
Combustion Chamber: Width x Depth:	18-5/16" X 22-1/4" (466 mm X 565 mm)		
Door Opening: Width x Height:	14-3/4" 9-7/16" (375 mm X 241 mm)		
Pyroceramic Glass Door: (Viewing) Width x Height:	14-9/16" X 9-5/16" (369 mm X 237 mm)		

CAUTIONS:

- **HOT WHILE IN OPERATION. KEEP CHILDREN, CLOTHING AND FURNITURE AWAY. CONTACT MAY CAUSE SKIN BURNS.**
- **DO NOT USE CHEMICALS OR FLUIDS TO IGNITE THE FIRE.**
- **DO NOT LEAVE THE STOVE UNATTENDED WHEN THE DOOR IS SLIGHTLY OPENED.**
- **DO NOT BURN GARBAGE, FLAMMABLE FLUID SUCH AS GASOLINE, NAPHTHA OR MOTOR OIL.**
- **DO NOT CONNECT TO ANY AIR DISTRIBUTION DUCT OR SYSTEM.**
- **ALWAYS CLOSE THE DOOR AFTER THE IGNITION.**



Note: Register your product online at www.usstove.com or download the free app today. This app is available only on the App Store for iPhone and iPad. Search US Stove. Save your receipt with your records for any claims.

For Customer Service, please call:
1-800-750-2723 Ext 5050 or;
Text to 423-301-5624 or;
Email us at:
customerservice@usstove.com

INSTALLATION CHECKLIST



Your Wood Stove should be installed by a qualified installer only. An NFI qualified Installer can be found at www.nficertified.org/public/find-an-nfi-pro/

CUSTOMER SERVICE

1-800-750-2723 ext 5050
Text to 423-301-5624
Email to: Customerservice@usstove.com

COMMISSIONING CHECKLIST

This Checklist is to be completed in full by the qualified person who installs this unit. Keep this page for future reference.

Failure to install and commission according to the manufacturer's instructions and complete this checklist will invalidate the warranty.

Please Print

Customer Name:										Telephone Number:									
Address:																			
Model:																			
Serial Number:																			
Installation Company Name:										Phone Number:									
Installation Technician's Name:										License Number:									

DESCRIPTION OF WORK

Location of installed appliance: _____

Chimney System: New Chimney System Yes No If yes, Brand _____

If no, date of inspection of the existing chimney system: _____

COMMISSIONING

- Confirm Hearth Pad Installation as per Installation Instructions.....
- Confirm proper placement of internal parts
- Check soundness of door gasket and door seals
- Confirm clearances to combustibles as per installation instructions in this manual
- Check the operations of the air controls
- Confirm all flue pipe and chimney system are secure and sealed.....
- Confirm the stove properly drafts when fired
- Check to ensure a CO alarm is installed as per local building codes and is functional
- Explain the safe operation, proper fuel usage, cleaning, and routine maintenance requirements

Declaration of Completion: As the qualified person responsible for the work described above, I confirm that the appliance as associated work has been installed as per manufacturer's instructions and following any applicable building and installation codes.

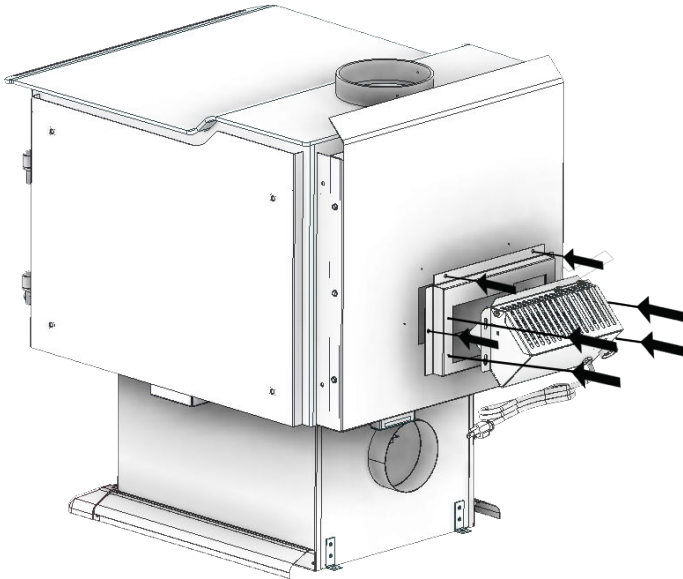
Signed: _____ Print Name: _____ Date: _____

Home Owner: RETAIN THIS INFORMATION FOR FUTURE REFERENCE

For Customer Service Call: 800-750-2723 Ext 5050

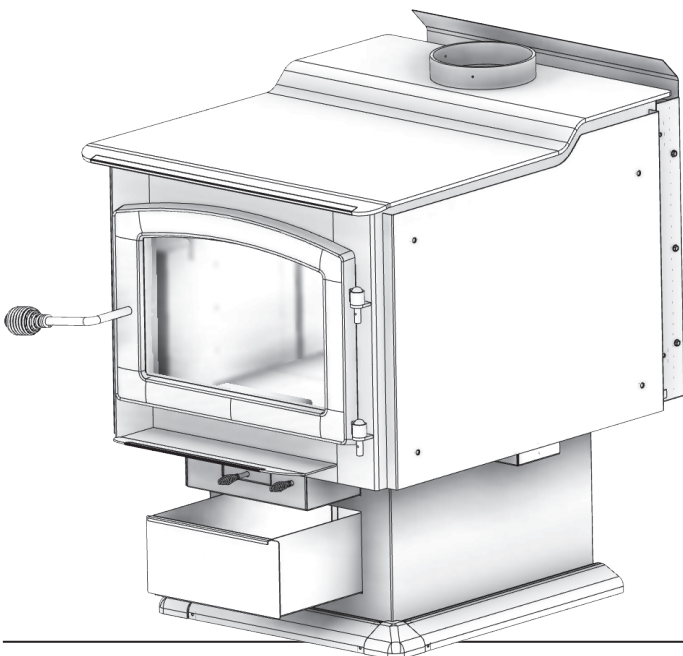
BLOWER ASSEMBLY

The blower assembly must be disconnected from the source of electrical supply before attempting the installation. The blower assembly is intended for use only with a stove that is marked to indicate such use. Do not route the supply cord near or across hot surfaces! Fix the assembly to the back of the stove with the eight screws provided. **NOTE: This bracket is included and is required for installation of the blower assembly.**



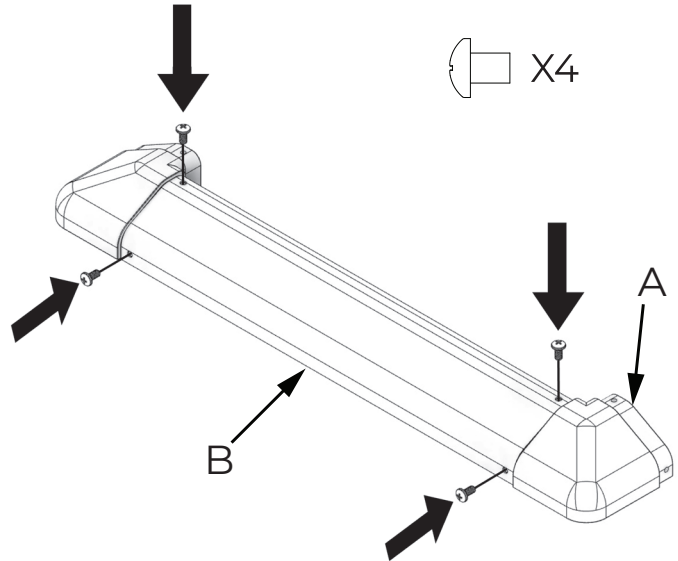
ASH PAN

The ash pan is located below the firebox.

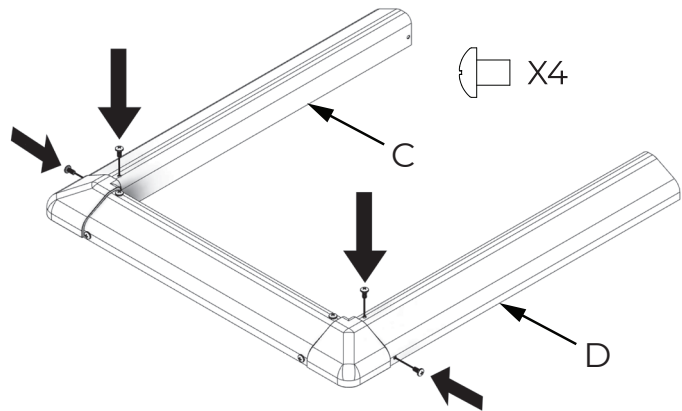


PEDESTAL BASE ASSEMBLY

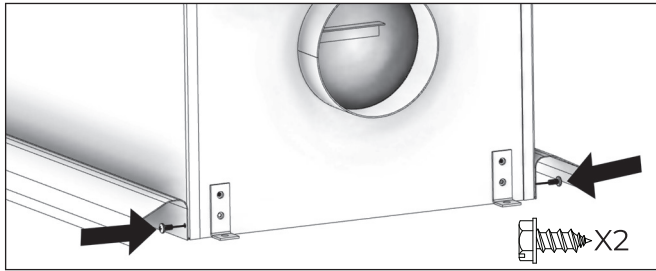
1. Assemble the pedestal base skirting. Attach two corner pieces (A) to the center section (B) of skirting and secure with four (4) truss head screws.



2. Attach the side skirting sections (C & D) to the corner pieces and secure with four (4) truss head screws.

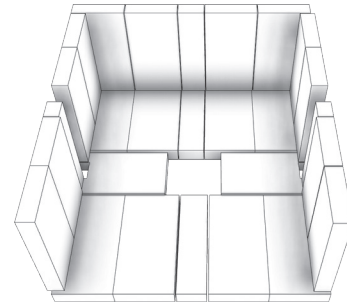


3. Slide the U-shaped skirting assembly around the pedestal base and secure with two 1/4" long pan head sheet metal screws at the rear corners.



FIREBRICK CONFIGURATION

Replace the Firebrick as shown in the illustration.



INSTALLATION

SAFETY NOTICE

- **IF THIS STOVE IS NOT PROPERLY INSTALLED, A HOUSE FIRE MAY RESULT. TO REDUCE THE RISK OF FIRE, FOLLOW THE INSTALLATION INSTRUCTIONS.**
- **CONSULT YOUR MUNICIPAL BUILDING DEPARTMENT OR FIRE OFFICIALS ABOUT PERMITS, RESTRICTIONS AND INSTALLATIONS REQUIREMENTS IN YOUR AREA.**
- **USE SMOKE DETECTORS IN THE ROOM WHERE YOUR STOVE IS INSTALLED.**
- **KEEP FURNITURE AND DRAPES WELL AWAY FROM THE STOVE.**
- **NEVER USE GASOLINE, GASOLINE-TYPE LANTERN FUEL, KEROSENE, CHARCOAL LIGHTER FLUID, OR SIMILAR LIQUIDS TO START OR "FRESHEN UP" A FIRE IN THIS HEATER. KEEP ALL SUCH LIQUIDS WELL AWAY FROM THE HEATER WHILE IT IS IN USE.**
- **IN THE EVENT OF A CHIMNEY FIRE, PUSH THE AIR CONTROL FULL CLOSED TO DEPRIVE THE FIRE OF OXYGEN. CALL THE FIRE DEPARTMENT.**
- **DONOTCONNECTTOANYAIRDISTRIBUTION DUCT OR SYSTEM.**
- **A SOURCE OF FRESH AIR INTO THE ROOM OR SPACE HEATED SHALL BE PROVIDED WHEN REQUIRED.**



We recommend that our woodburning hearth products be installed and serviced by professionals who are certified in the U.S. by the National Fireplace Institute® (NFI) as NFI Woodburning Specialists or who are certified in Canada by Wood Energy Technical Training (WETT).



US Stove highly recommends your stove be installed by a qualified NFI (US) or WETT (Canada) technician. To find the nearest qualified installer, go to:

<https://nficertified.org>,

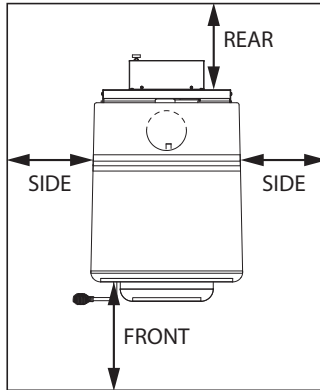
<https://www.wettinc.ca/>

POSITIONING THE STOVE

It is very important to position the wood stove as close as possible to the chimney, and in an area that will favor the most efficient heat distribution possible throughout the house. The stove must therefore be installed in the room where the most time is spent, and in the most spacious room possible. Recall that wood stoves produce radiating heat, the heat we feel when we are close to a wood stove. A wood stove also functions by convection, that is through the displacement of hot air accelerated upwards and its replacement with cooler air. If necessary, the hot air distribution from the stove may be facilitated by the installation of a blower. The wood stove must not be hooked up to a hot air distribution system since an excessive accumulation of heat may occur. A wood stove must never be installed in a hallway or near a staircase, since it may block the way in case of fire or fail to respect required clearances.

FLOOR PROTECTOR

This heater must have a non-combustible floor protector with an R-Value of at least 1.2 installed beneath it if the floor is constructed of combustible material. If a floor pad is used, it should be UL listed or equal. The floor protector should be large enough to extend under the stove and beyond each side as indicated. If there is a horizontal run of flue pipe, there needs to be floor protection under it that extends two inches beyond either side of the pipe.



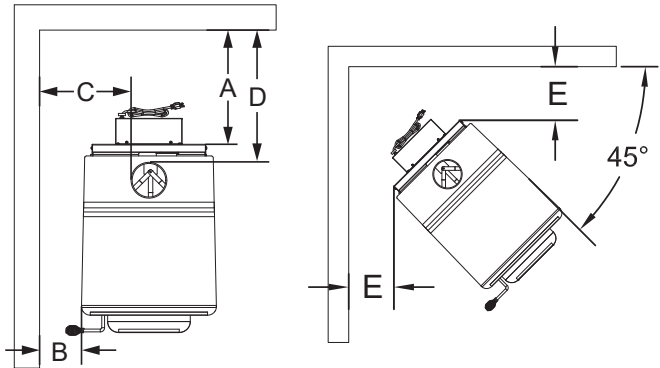
Front	18"	458 mm
Back	8"	204 mm
Sides	8"	204 mm

CLEARANCES TO COMBUSTIBLES

It is of utmost importance that the clearances to combustible materials be strictly adhered to during installation of the stove.

- Do not place any combustible material within 4' (1.2m) of the front of the unit.
- Floor to ceiling height must be at least 7' (2.13m) in all cases.
- The clearance between the flue pipe and a wall are valid only for vertical walls and for vertical flue pipe.
- The chimney connector must not pass through an attic or roof space, closet or similar concealed space, a floor, or a ceiling.
- For Canadian installations, where passage through a wall, or partition of combustible construction is desired, the installation must conform to CAN/CSA-B365.
- A flue pipe crossing a combustible wall must have a minimum clearance of 18" (458 mm).

- To reduce flue clearances from combustible materials, contact your local safety department.



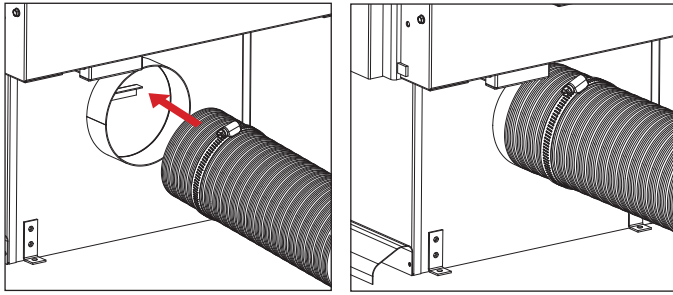
A	Backwall to Stove	17"	432 mm
B	Sidewall to Stove	26"	661 mm
C	Sidewall to Flue	35"	889 mm
D	Backwall to Flue	19"	483 mm
E	Wall to corner (Angled Installation)	18"	458 mm

OUTSIDE COMBUSTION AIR

Your wood stove is approved to be installed with an outside air intake (4FAK) which is necessary for a mobile home. This type of installation is also required in air tight houses and houses with negative pressure problems. You can purchase this option through your heater dealer. Make sure to specify the part number mentioned in this booklet. Installation instructions are supplied with the air intake kit. Outside combustion air may be required if

1. Your stove does not draw steadily, smoke roll-out occurs, wood burns poorly, or back-drafts occur whether or not there is combustion present.
2. Existing fuel-fired equipment in the house, such as fireplaces or other heating appliances, smell, do not operate properly, suffer smoke roll-out when opened, or back-drafts occur whether or not there is combustion present.
3. Opening a window slightly on a calm (windless) day alleviates any of the above symptoms.
4. The house is equipped with a well-sealed vapor barrier and tight fitting windows and/or has any powered devices that exhaust house air.
5. There is excessive condensation on windows in the winter.

6. A ventilation system is installed in the house.



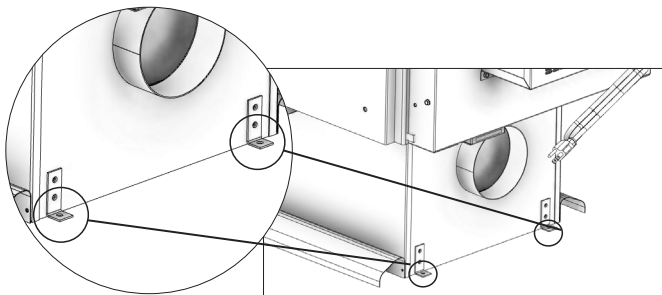
Slide the hose clamp over the aluminium flex pipe. Then slide the flex pipe over the air intake tube of the stove. Next tighten the hose clamp over the end of the aluminium flex hose.

FOR USE IN MOBILE HOMES (U.S. ONLY)

- **WARNING! DO NOT INSTALL IN SLEEPING ROOM.**
- **CAUTION! THE STRUCTURAL INTEGRITY OF THE MOBILE HOME FLOOR, WALL, AND CEILING/ROOF MUST BE MAINTAINED.**
- **INSTALL IN ACCORDANCE WITH 24 CFR, PART 3280 (HUD).**
- **USE A FACTORY BUILT CHIMNEY THAT COMPLIES WITH UL 103 STANDARDS; THEREFORE IT MUST BE A TYPE HT (2100°F).**
- **USE A SPARK ARRESTER.**
- **THE STOVE MUST BE ATTACHED TO THE STRUCTURE OF THE MOBILE HOME.**

SECURE APPLIANCE TO THE FLOOR

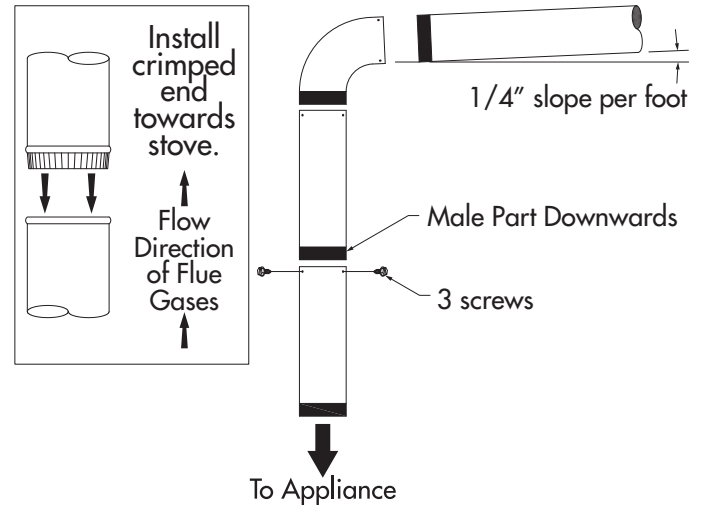
Use the designated holes to secure the unit to the floor.



In addition to the previously detailed installation requirements, the heater must be electrically grounded to the steel chassis of the mobile home

with 8 GA copper wire using a serrated or star washer to penetrate paint or protective coating to ensure grounding.

CHIMNEY CONNECTOR (STOVE PIPE)

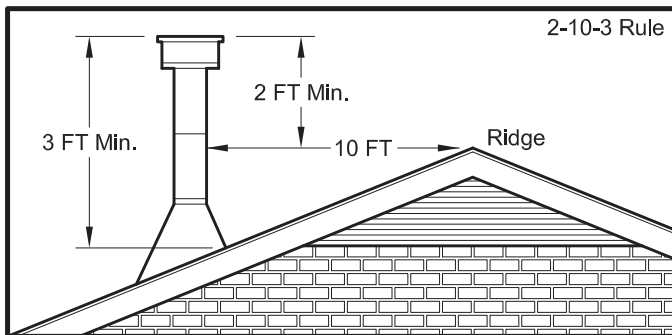


The chimney connector and chimney must have the same diameter as the stove outlet (6"). If this is not the case, we recommend you contact your dealer to ensure there will be no problem with the draft. The stovepipe must be made of aluminized or cold roll steel and have a minimum thickness of 0.021" or 0.53 mm. It is strictly forbidden to use galvanized steel. The smoke pipe should be assembled to promote the male section (crimped end) of the pipe to be faced down. Attach each section to another with three metal screws spaced an equal distance apart. The pipe must be short and straight. All sections installed horizontally must slope at least 1/4 inch per foot, with the upper end of the section toward the chimney. Any installation with a horizontal run of chimney pipe must conform to NFPA 211. To ensure a good draft, the total length of the coupling pipe should never exceed 8' to 10' (2.4m to 3.04m). Except for cases of vertical installation, in a cathedral-roof style where the smoke exhaust system can be much longer and connected without problem to the chimney at the ceiling of the room. There should never be more than two 90 degrees elbows in the smoke exhaust system. The installation of a "barometric draft stabilizer" (fireplace register) on a smoke exhaust system is prohibited. Furthermore, the installation of a draft damper is not recommended. With a controlled combustion wood stove, the draft is regulated upon intake of the combustion air in the stove and not at the exhaust.

IMPORTANCE OF PROPER DRAFT

Draft is a force that moves air from the appliance up through the chimney. The amount of draft in your chimney depends on the length of the chimney, local geography, nearby obstructions and other factors. Too much draft may cause excessive temperatures in the appliance. An inadequate draft may cause back-puffing into the room and "plugging" of the chimney. An inadequate draft will cause the appliance to leak smoke into the room through appliance and chimney connector joints. An uncontrollable burn or excessive temperature indicates an excessive draft.

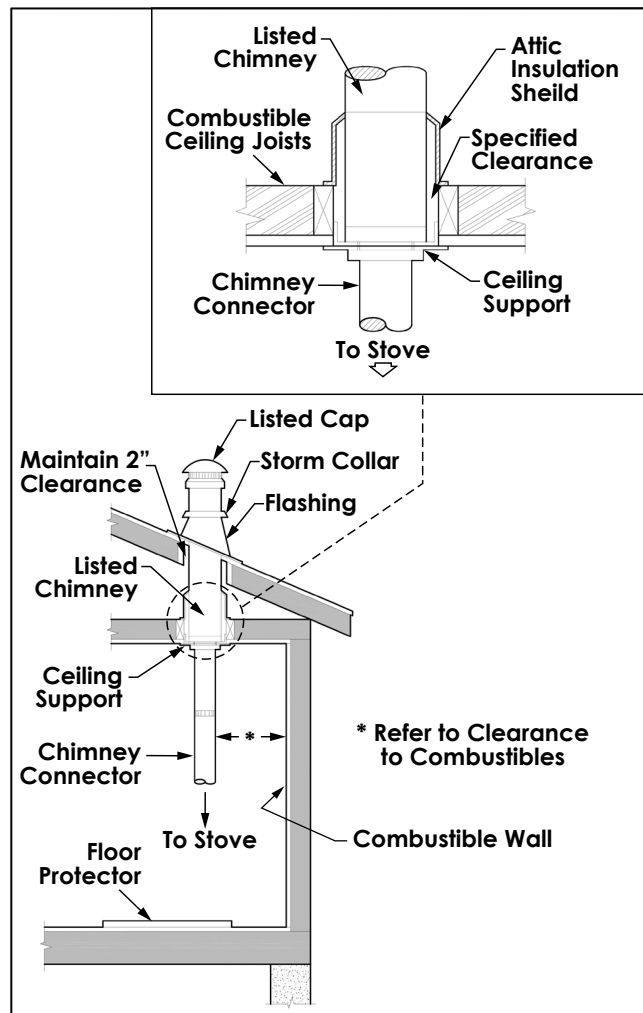
CHIMNEY



Your wood stove may be hooked up with a 6" factory-built or masonry chimney. If you are using a factory-built chimney, it must comply with UL 103 or CSA-B365 standard; therefore it must be a Type HT (2100°F). It must be installed according to the manufacturer's specifications. Take into account the chimney's location to ensure it is not too close to neighbors or in a valley which may cause unhealthy or nuisance conditions. If you are using a masonry chimney, it must be built in compliance with the specifications of the National Building Code. It must be lined with fire clay bricks, metal or clay tiles sealed together with fire cement. Round flues are the most efficient. The interior diameter of the chimney flue must be identical to the stove smoke exhaust. A flue which is too small may cause draft problems, while a large flue favors rapid cooling of the gas, and hence the build-up of creosote and the risk of chimney fires. Note that it is the chimney and not the stove which creates the draft effect; your stove's performance is directly dependent on an adequate draft from your chimney. **Do not connect this unit to a chimney flue serving another appliance.** The following recommendations may be useful for the installation of your chimney:

1. It must rise above the roof at least 3' (0.9m) from the uppermost point of contact.
2. The chimney must exceed any part of the building or other obstruction within a 10' (3.04m) distance by a height of 2' (0.6m).
3. The installation of an interior chimney is always preferable to an exterior chimney. Indeed, the interior chimney will, by definition, be hotter than an exterior chimney, being heated up by the ambient air in the house. Therefore the gas which circulates will cool more slowly, thus reducing the build-up of creosote and the risk of chimney fires.
4. The draft caused by the tendency for hot air to rise will be increased with an interior chimney.
5. Using a fire screen at the extremity of the chimney requires regular inspection to ensure that it is not obstructed thus blocking the draft, and it should be cleaned when used regularly.

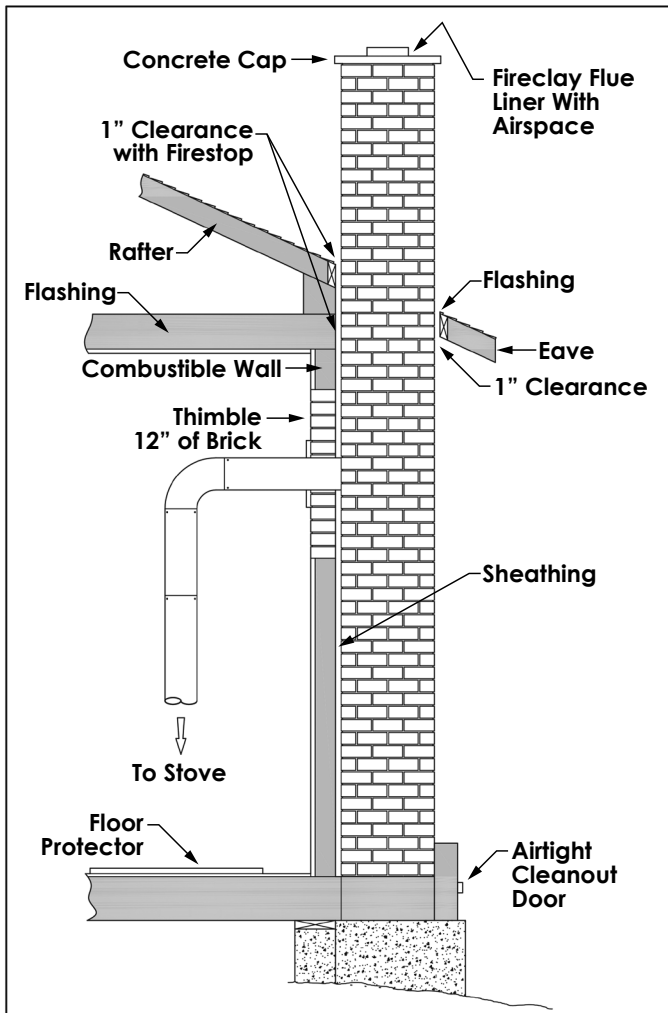
FACTORY BUILT CHIMNEY



When a metal prefabricated chimney is used, the manufacturer's installation instructions must be followed. You must also purchase (from the same manufacturer) and install the ceiling support package or wall pass-through and "T" section package, firestops (where needed), insulation shield, roof flashing, chimney cap, etc. Maintain proper clearance to the structure as recommended by the manufacturer. The chimney must be the required height above the roof or other obstructions for safety and proper draft operation.

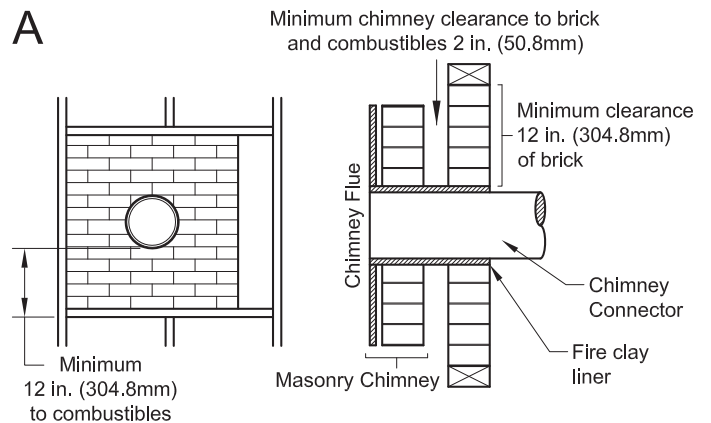
MASONRY CHIMNEY

Ensure that a masonry chimney meets the minimum standards of the National Fire Protection Association (NFPA) by having it inspected by a professional. Make sure there are no cracks, loose mortar or other signs of deterioration and blockage. Be sure to the chimney cleaned before the stove is installed and operated. When connecting the stove through a combustible wall to a masonry chimney, special methods are needed.

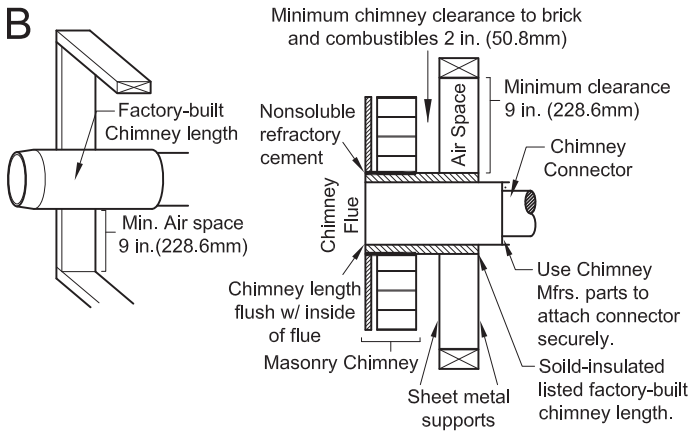


COMBUSTIBLE WALL CHIMNEY CONNECTOR PASS-THROUGHS

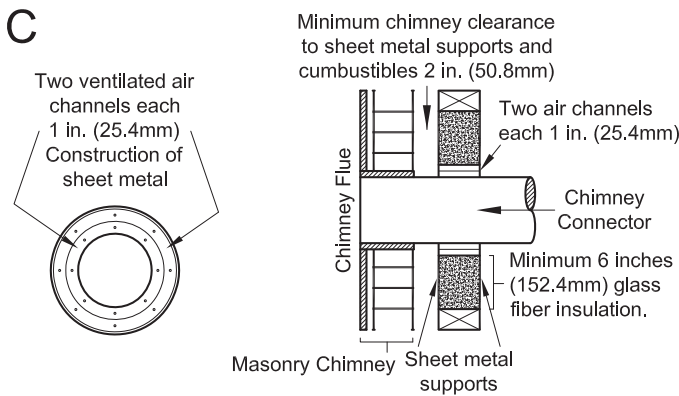
METHOD A - 12" (304.8 mm) Clearance to Combustible Wall Member: Using a minimum thickness 3.5" (89 mm) brick and a 5/8" (15.9 mm) minimum wall thickness clay liner, construct a wall pass-through. The clay liner must conform to ASTM C315 (Standard Specification for Clay Fire Linings) or its equivalent. Keep a minimum of 12" (304.8 mm) of brick masonry between the clay liner and wall combustibles. The clay liner shall run from the brick masonry outer surface to the inner surface of the chimney flue liner but not past the inner surface. Firmly grout or cement the clay liner in place to the chimney flue liner.



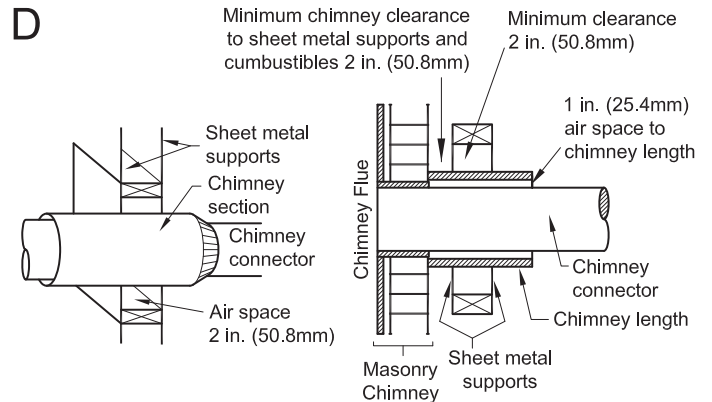
METHOD B - 9" (228.6 mm) Clearance to Combustible Wall Member: Using a 6" (152.4 mm) inside diameter, listed, factory-built Solid-Pak chimney section with insulation of 1" (25.4 mm) or more, build a wall pass-through with a minimum 9" (228.6 mm) air space between the outer wall of the chimney length and wall combustibles. Use sheet metal supports fastened securely to wall surfaces on all sides, to maintain the 9" (228.6 mm) air space. When fastening supports to chimney length, do not penetrate the chimney liner (the inside wall of the Solid-Pak chimney). The inner end of the Solid-Pak chimney section shall be flush with the inside of the masonry chimney flue, and sealed with a non-water soluble refractory cement. Use this cement to also seal to the brick masonry penetration.



METHOD C - 6" (152.4 mm) Clearance to Combustible Wall Member: Starting with a minimum 24 gage (.024" [61 mm]) 6" (152.4 mm) metal chimney connector, and a minimum 24 gage ventilated wall thimble which has two air channels of 1" (25.4 mm) each, construct a wall pass-through. There shall be a minimum 6" (152.4 mm) separation area containing fiberglass insulation, from the outer surface of the wall thimble to wall combustibles. Support the wall thimble, and cover its opening with a 24-gage minimum sheet metal support. Maintain the 6" (152.4 mm) space. There should also be a support sized to fit and hold the metal chimney connector. See that the supports are fastened securely to wall surfaces on all sides. Make sure fasteners used to secure the metal chimney connector do not penetrate chimney flue liner.



METHOD D - 2" (50.8 mm) Clearance to Combustible Wall Member: Start with a solid-pak listed factory built chimney section at least 12" (304 mm) long, with insulation of 1" (25.4 mm) or more, and an inside diameter of 8" (2 inches [51 mm] larger than the 6" [152.4 mm] chimney connector). Use this as a pass-through for a minimum 24-gauge single wall steel chimney connector. Keep solid-pak section concentric with and spaced 1" (25.4 mm) off the chimney connector by way of sheet metal support plates at both ends of chimney section. Cover opening with and support chimney section on both sides with 24 gage minimum sheet metal supports. See that the supports are fastened securely to wall surfaces on all sides. Make sure fasteners used to secure chimney flue line do not penetrate the inner liner.



NOTES:

- Connectors to a masonry chimney, excepting method B, shall extend in one continuous section through the wall pass-through system and the chimney wall, to but not past the inner flue liner face.
- A chimney connector shall not pass through an attic or roof space, closet or similar concealed space, or a floor, or ceiling.

NEVER OPERATE THIS PRODUCT WHILE UNATTENDED

OPERATING SAFETY PRECAUTIONS

- **NEVER OVERFIRE THIS APPLIANCE BY BUILDING EXCESSIVELY HOT FIRES AS A HOUSE/BUILDING FIRE MAY RESULT. YOU ARE OVERFIRING THE APPLIANCE IF IT BEGINS TO GLOW OR TURN RED.**
- **NEVER BUILD EXCESSIVELY LARGE FIRES IN THIS TYPE OF APPLIANCE AS DAMAGE TO THE FIREBOX OR SMOKE LEAKAGE MAY RESULT.**
- **DO NOT BUILD FIRE TOO CLOSE TO THE GLASS.**
- **HOT WHILE IN OPERATION. KEEP CHILDREN, CLOTHING, AND FURNITURE AWAY. CONTACT MAY CAUSE SKIN BURNS. DO NOT TOUCH THE APPLIANCE UNTIL IT HAS COOLED.**
- **PROVIDE ADEQUATE AIR FOR COMBUSTION TO THE ROOM WHERE THE APPLIANCE IS INSTALLED.**
- **INSPECT CHIMNEY LINER EVERY 60 DAYS. REPLACE LINER IMMEDIATELY IF IT IS RUSTING OR LEAKING SMOKE INTO THE ROOM.**
- **ATTEMPTS TO ACHIEVE HEAT OUTPUT RATES THAT EXCEED HEATER DESIGN SPECIFICATIONS CAN RESULT IN PERMANENT DAMAGE TO THE HEATER.**

WARNING: EXPLOSION HAZARD

- **NEVER USE CHEMICALS, GASOLINE, GASOLINE-TYPE LANTERN FUEL, KEROSENE, CHARCOAL LIGHTER FLUID, OR SIMILAR FLAMMABLE LIQUIDS TO START OR "FRESHEN UP" A FIRE IN THE APPLIANCE.**
- **KEEP ALL FLAMMABLE LIQUIDS, ESPECIALLY GASOLINE, OUT OF THE VICINITY OF THE APPLIANCE - WHETHER IN USE OR IN STORAGE.**

CAUTIONS: HOUSE FIRE HAZARDS

- **DO NOT STORE WOOD ON FLOOR PROTECTOR, UNDERNEATH STOVEPIPE(S) OR ANYWHERE WITHIN CLEARANCES TO COMBUSTIBLE SURFACES SPECIFIED FOR THIS APPLIANCE.**
- **NEVER OPERATE WITH SECONDARY TUBES, FIBERBOARD, OR INSULATION REMOVED.**

WOOD STOVE UTILIZATION

Your heating appliance was designed to burn well seasoned natural wood only; no other materials should be burned. Any type of well seasoned natural wood may be used in your stove, but specific varieties have better energy yields than others. Higher efficiencies and lower emissions generally result when burning air dried seasoned hardwoods, as compared to softwoods or too green or freshly cut hardwoods. The following resources can assist in learning the burn characteristics of various species of wood: <http://firewoodresource.com/firewood-btu-ratings/>; or <https://forestry.usu.edu/forest-products/wood-heating> The operation of this wood heater in a manner inconsistent with the owner's manual will void your warranty and is also against federal regulations. Waste and other flammable materials should not be burned in your stove. DO NOT BURN:

1. Garbage;
2. Lawn clippings or yard waste;
3. Materials containing rubber, including tires;
4. Materials containing plastic;
5. Waste petroleum products, paints or paint thinners, or asphalt products;
6. Materials containing asbestos;
7. Construction or demolition debris;
8. Railroad ties or pressure-treated wood;
9. Manure or animal remains;
10. Saltwater driftwood or other previously salt water-saturated materials;
11. Unseasoned wood; or
12. Paper products, cardboard, plywood, or particleboard. The prohibition against burning these materials does not prohibit the use of fire starters made from paper, cardboard, sawdust,

wax, and similar substances to start a fire in an affected wood heater.

Burning these materials may result in the release of toxic fumes or render the heater ineffective and cause smoke. Deadwood lying on the forest floor should be considered wet and requires full seasoning time. Standing deadwood can usually be considered to be about 2/3 seasoned. Smaller pieces of wood will dry faster. All logs exceeding 6" in diameter should be split. The wood should not be stored directly on the ground. Air should circulate through the logs. A 24" to 48" air space should be left between each row of logs, which should be placed in the sunniest location possible. The upper layer of wood should be protected from the element but not the sides. A good indicator of if the wood is ready to burn is to check the piece ends. If cracks are radiating in all directions from the center then the wood should be dry enough to burn. If your wood sizzles in the fire, even though the surface is dry, it may not be fully cured and should be seasoned longer.

It is EXTREMELY IMPORTANT that you use DRY WOOD only in your wood stove. The wood should have dried for 9 to 15 months, such that the humidity content (in weight) is reduced below 20% of the weight of the log. It is very important to keep in mind that even if the wood has been cut for one, two, or even more years, it is not necessarily dry, if it has been stored in poor conditions. Under extreme conditions, it may rot instead of drying. This point cannot be overstressed; the vast majority of the problems related to the operation of a wood stove is caused by the fact that the wood used was too damp or had dried in poor conditions. These problems can be:

- ignition problems
- creosote build-up causing chimney fires
- low energy yield
- blackened windows
- incomplete log combustion

Do not burn manufactured logs made of wax impregnated sawdust or logs with any chemical additives.

Manufactured logs made of 100% compressed sawdust can be burned, but be careful burning too much of these logs at the same time. Start with one manufactured log and see how the stove reacts. You can increase the number of logs burned at a time but make sure the



temperature never rises higher than 475 °F (246 °C) on a magnetic thermometer for installation on single wall stove pipes. The thermometer should be placed about 18" (457 mm) above the stove. Higher temperatures can lead to overheat and damage your stove.

TESTING YOUR WOOD

- When the stove is thoroughly warmed, place one piece of split wood (about five inches in diameter) parallel to the door on the bed of red embers.
- Keep the air control fully open and close the door. If the wood ignites within 90 seconds from the time it was placed in the stove, your wood is correctly dried. If ignition takes longer, your wood is damp.
- If your wood hisses and water or vapor escapes at the ends of the piece, your wood is soaked or freshly cut (green). Do not use this wood in your stove. Large amounts of creosote could be deposited in your chimney, creating potential conditions for a chimney fire.

TAMPER WARNING

This wood heater has a manufacturer-set minimum low burn rate that must not be altered. It is against federal regulations to alter this setting or otherwise operate this wood heater in a manner inconsistent with operating instructions in this manual.

EFFICIENCIES

Efficiencies can be based on either the lower heating value (LHV) or the higher heating value (HHV) of the fuel. The lower heating value is when water leaves the combustion process as a vapor, in the case of woodstoves the moisture in the wood being burned leaves the stove as a vapor. The higher heating value is when water leaves the combustion process completely condensed. In the case of woodstoves this would assume the exhaust gases are room temperature when leaving the system, and therefore calculations using this heating value consider the heat going up the chimney as lost energy. Therefore, efficiency calculated using the lower heating value of wood will be higher than efficiency calculated using the higher heating value. The best way to achieve optimum efficiencies is to learn the burn characteristic of you appliance and burn well-seasoned wood. Higher burn rates are not always the best heating burn rates; after a good fire is established a lower burn rate may be a better

option for efficient heating. A lower burn rate slows the flow of usable heat out of the home through the chimney, and it also consumes less wood.

NOTICE INITIAL BURNS TO CURE PAINT

BECAUSE OF HIGH OPERATING TEMPERATURES, THIS APPLIANCE IS COATED WITH A SPECIAL HIGH TEMP PAINT WHICH REQUIRES A SERIES OF LOW TO MEDIUM BURNS TO FULLY CURE FOR DURABILITY AND A LIFETIME OF SERVICE.

Proper curing of the high-temp paint requires a series of three initial burns. The appliance should be allowed to cool off between each burn. The first two burns should be small fires and low temperatures (250°F) for a duration of 20 minutes each. The third fire should be at a temperature of approximately 500°F for 20 minutes. Provide adequate cross ventilation to clear any smoke or odor caused by initial firings.

Notice: Use solid wood fuel only! Do not burn garbage, or flammable fluids. Do not use coal. This appliance is not designed to accommodate the air flow (draft) required to properly burn coal or coal products. Do not elevate the fire using grates or irons. Build the fire directly on the firebrick.

FUELING INSTRUCTIONS

This wood stove has been certified by the US EPA to meet strict 2020 guidelines. To ensure this unit produces the optimal minimum emissions it is critical that only well-seasoned cordwood is burned (see the "Fuel Recommendations" section of this manual). Burning unseasoned wet wood only hurts your stoves efficiency and leads to accelerated creosote buildup in your chimney. Be considerate of the environment and only burn dry wood.

CAUTION:

DO NOT LEAVE APPLIANCE UNATTENDED THE WITH DOOR OPEN.

For a cold start-up, place 4 to 5 pieces of newspaper into the firebox. On top of the newspaper, lay 5 lbs of kindling in a random placement to ensure airflow through the kindling. On top of the kindling, place approximately 6.5 lbs of small pieces of cordwood. NOTE: Use smaller pieces of wood during start-up and a high burn rate to increase the stove temperature.



Push both air control slides to the fully open position. Light the newspaper and close the door. Once the kindling has burned down to a starter coal bed, load the unit with approximately 26 to 27 lbs of fuel for the first high burn load.

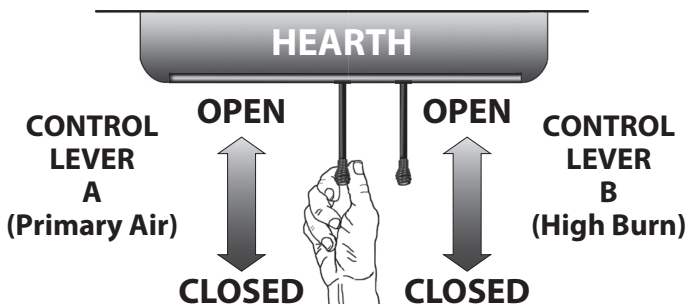
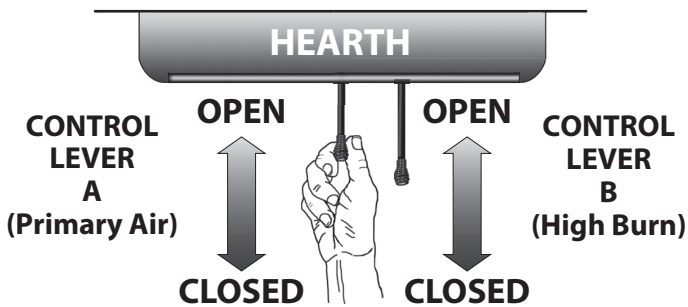
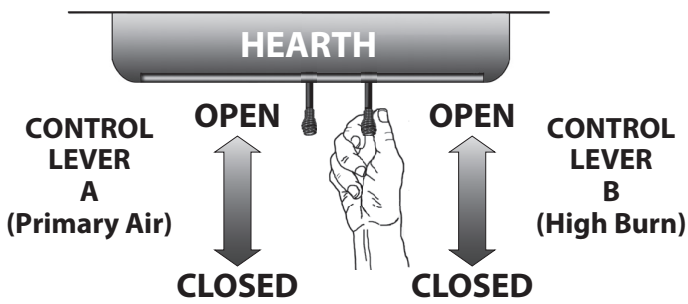
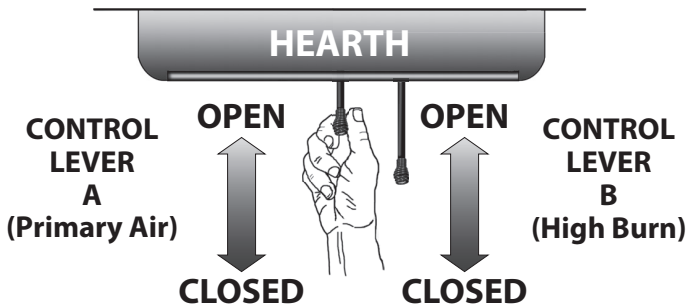


After the first high burn load and the stove is well warmed up, adjust the unit as needed for a medium or low burn setting. For a medium burn, once the high burn fuel load is burned down to an established coal bed, load the unit with 31 to 32 lbs of cordwood and keep the door slightly open for 2 minutes. After two minutes close the door. Keep the secondary airslide fully open for 10 minutes then close completely and set the primary airslide halfway closed. At the 15 minute point of loading your fuel, the primary air slide should be set at the medium setting which is about 1/2 inch open from the fully closed position.



For a low burn setting once the high burn (or medium) fuel load is burned down to an established coal bed, load the unit with 31 to 32 lbs of cordwood and leave the door open for two minutes. After two minutes close the door. Keep the secondary airslide fully open for 10 minutes then close completely

and set the primary airslide halfway closed. At the 15 minute point of loading your fuel, the primary air slide should be set at the low setting which is pulling the airslide completely out toward you. NOTE: Do not close the air too quickly. Closing the air too quickly will cause the unit to smoke.



WARNINGS:

- **NEVER OVERFIRE YOUR STOVE. IF ANY PART OF THE STOVE STARTS TO GLOW RED, OVER FIRING IS HAPPENING. READJUST THE AIR INTAKE CONTROL AT A LOWER SETTING.**
- **NEVER PUT WOOD ABOVE THE FIREBRICK LINING OF THE FIREBOX.**
- **ATTEMPTS TO ACHIEVE HEAT OUTPUT RATES THAT EXCEED HEATER DESIGN SPECIFICATIONS CAN RESULT IN PERMANENT DAMAGE TO THE HEATER.**

VISIBLE SMOKE

The amount of visible smoke being produced can be an effective method of determining how efficiently the combustion process is taking place in the given settings. Visible smoke consists of unburned fuel and moisture leaving your stove. Learn to adjust the air settings of your specific unit to produce the smallest amount of visible smoke. Wood that has not been seasoned properly and has a high wood moisture content will produce excess visible smoke and burn poorly.

AIR TUBES

The air tubes assembled in this unit are designed to provide an accurate mix of secondary air to ensure the highest efficiency. Any damage or deterioration of these tubes may reduce the efficiency of combustion. The air tubes are held in position by screws or snap pins. Locate these to either side of the tube and remove it to allow the tube to be removed and replaced.

BLOWER OPERATION

The variable-speed blower circulates air warmed by the firebox into the living area to distribute the heat more evenly. The blower control knob is located on the side of the blower housing. Turn the knob clockwise to turn the blower on. The speed is controlled by turning the knob clockwise for slower speeds and counter-clockwise for faster speeds. To turn the blower off, turn the speed control knob fully counter-clockwise. It is recommended to turn the blower off when the unit is not in operation. The blower should be removed at the beginning of every "burn" season and air-blown clean, removing any dust or build-up.

WARNINGS:

THE INSTALLATION OF A LOG CRADLE OR GRATES IS NOT RECOMMENDED IN YOUR WOOD STOVE. BUILD FIRE DIRECTLY ON FIREBRICK.

NEVER OPERATE THIS PRODUCT WHILE UNATTENDED

CAUTION:

DO NOT OVERFIRE APPLIANCE. YOU ARE OVERFIRING IF ANY PART OF THE APPLIANCE GLOWS RED. CLOSE THE DOOR AND SHUT DAMPER IMMEDIATELY TO REDUCE THE AIR SUPPLY AND SLOW DOWN THE FIRE.

CAUTION:

SLOW BURNING FIRES FOR EXTENDED USE OR BURNING GREEN WOOD MAY CAUSE EXCESSIVE CREOSOTE BUILD-UP. IGNITION OF CREOSOTE OR OVERFIRING COULD CAUSE A CHIMNEY FIRE. CHIMNEY FIRES BURN EXTREMELY HOT AND MAY IGNITE SURROUNDING COMBUSTIBLE MATERIALS. IN CASE OF A CHIMNEY FIRE, CALL THE FIRE DEPARTMENT IMMEDIATELY!

CREOSOTE FORMATION AND NEED FOR REMOVAL

When wood is burned slowly, it produces tar and other organic vapors, which combine with expelled moisture to form creosote. The creosote vapors condense in the relatively cool chimney flue of a slow-burning fire. As a result, creosote residue accumulates on the flue lining. When ignited this creosote makes an extremely high temper fire. The chimney connector and chimney should be inspected at least once every two months during the heating season to determine if a creosote build-up has occurred. If creosote has accumulated (3 mm or more), it should be removed to reduce the risk of a chimney fire. We strongly recommend that you install a magnetic thermometer on your smoke exhaust pipe, approximately 18" above the stove. This thermometer will indicate the temperature of your gas exhaust fumes within the smoke exhaust system. The ideal temperature for these gases is somewhere between 275°F and 500°F. Below these temperatures, the build-up of creosote is promoted. Above 500°F, heat is wasted since a too large quantity is lost into the atmosphere.

TO PREVENT CREOSOTE BUILD UP

- Always burn dry wood. This allows clean burns and higher chimney temperatures, therefore less creosote deposit.

- Leave the air control fully open for about 5 min. every time you reload the stove to bring it back to proper operating temperatures. The secondary combustion can only take place if the firebox is hot enough.
- Always check for creosote deposit once every two months and have your chimney cleaned at least once a year.
- If a chimney or creosote fire occurs, close all dampers immediately. Wait for the fire to go out and the heater to cool, then inspect the chimney for damage. If no damage results, perform a chimney cleaning to ensure no more creosote deposits is remaining in the chimney.

CAUTION:

A CHIMNEY FIRE MAY CAUSE IGNITION OF WALL STUDS OR RAFTERS WHICH WERE ASSUMED TO BE A SAFE DISTANCE AWAY FROM THE CHIMNEY. IF A CHIMNEY FIRE OCCURS, HAVE YOUR CHIMNEY INSPECTED BY A QUALIFIED EXPERT BEFORE USING AGAIN.

ASH REMOVAL & DISPOSAL

Whenever ashes get 3 to 4 inches deep in your firebox or ash pan, and when the fire has burned down and cooled, remove excess ashes. Leave an ash bed approximately 1 inch deep on the firebox bottom to help maintain a hot charcoal bed. Ashes should be placed in a metal container with a tight-fitting lid. The closed container of ashes should be placed on a non-combustible floor or the ground, away from all combustible materials, pending final disposal. The ashes should be retained in the closed container until all cinders have thoroughly cooled.

CAUTIONS:

- **ASHES COULD CONTAIN HOT EMBERS EVEN AFTER TWO DAYS WITHOUT OPERATING THE STOVE.**
- **THE ASH PAN CAN BECOME VERY HOT. WEAR GLOVES TO PREVENT INJURY.**
- **NEVER BURN THE STOVE WITH THE ASH TRAP OPEN. THIS WOULD RESULT IN OVER FIRING THE STOVE. DAMAGE TO THE STOVE AND EVEN HOUSE FIRE MAY RESULT.**

SMOKE & CO MONITORS

Burning wood naturally produces smoke and carbon monoxide(CO) emissions. CO is a poisonous gas when exposed to elevated concentrations for extended periods. While the modern combustion systems in heaters drastically reduce the amount of CO emitted out the chimney, exposure to the gases in closed or confined areas can be dangerous. Make sure your stove gaskets and chimney joints are in good working order and sealing properly to ensure unintended exposure. It is recommended that you use both smoke and CO monitors in areas having the potential to generate CO.

GLASS CARE

- Inspect and clean the glass regularly to detect any cracks. If you spot one, turn the stove off immediately. Do not abuse the glass door by striking or slamming shut. Do not use the stove if the glass is broken.
- If the glass on your stove breaks, replace only with the glass supplied from your heater dealer. Never substitute other materials for the glass.
- To replace the glass, remove the screws retaining the glass moldings inside the door. Remove the moldings and replace the damaged piece with a new one. Perform the procedure backward after

replacing it. When replacing the glass, you should change the glass gasket to make sure you keep it sealed.

- Never wash the glass with a product that may scratch. Use a specialized product, available in the stores where wood stoves are sold. The glass should be washed only when cold.

GASKET CARE

WARNING:

NEVER OPERATE THE STOVE WITHOUT A GASKET OR WITH A BROKEN ONE. DAMAGE TO THE STOVE OR EVEN HOUSE FIRE MAY RESULT.

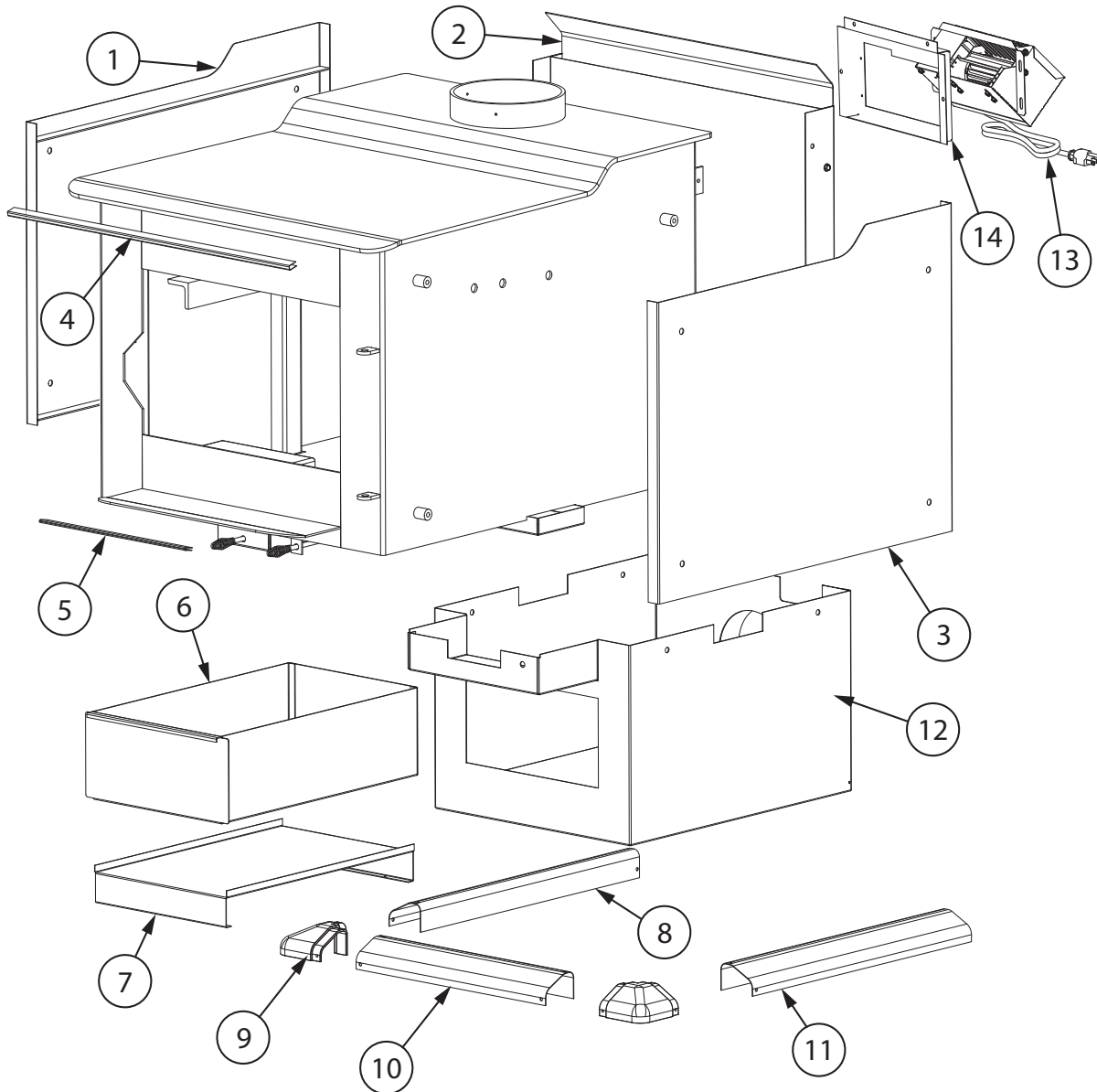
This unit's door uses a 3/4" diameter rope gasket. It is recommended that you change the door gasket (which makes your stove door air tight) once a year, in order to ensure good control over the combustion, maximum efficiency and security. To change the door gasket, simply remove the damaged one. Carefully clean the available gasket groove, apply a high temperature silicone sold for this purpose, and install the new gasket. You may light up your stove again approximately 24 hours after having completed this operation.

HOW TO ORDER REPAIR PARTS

For Parts Assistance Call: 800-750-2723 Ext 5051 or Email: parts@usstove.com

The information in this owner's manual is specific to your unit. When ordering replacement parts the information in this manual will help to ensure the correct items are ordered. Before contacting customer service write down the model number and the serial number of this unit. That information can be found on the certification label attached to the back of the unit. Other information that may be needed would be the part number and part description of the item(s) in question. Part numbers and descriptions can be found in the "Repair Parts" section of this manual. Once this information has been gathered you can contact customer service by phone 1-800-750-2723 Ext 5051 or Email parts@usstove.com.

Model Information	
Model Number	
Serial Number	



Key	Part #	Description	Qty
1	892268	Heat Shield (Left)	1
2	892269	Heat Shield (Rear)	1
3	892267	Heat Shield (Right)	1
4	892278	Top Trim	1
5	892279	Hearth Trim	1
6	69912	Ash Drawer	1
7	26548	Ash Drawer Support	1
8	26541	Left Side Skirt	1

9	40597	Skirt Corner	2
10	26546	Front Skirt	1
11	26553	Right Side Skirt	1
12	69911	Pedestal	1
13	CB36	Blower Assembly	1
14	25598	Blower Bracket	1

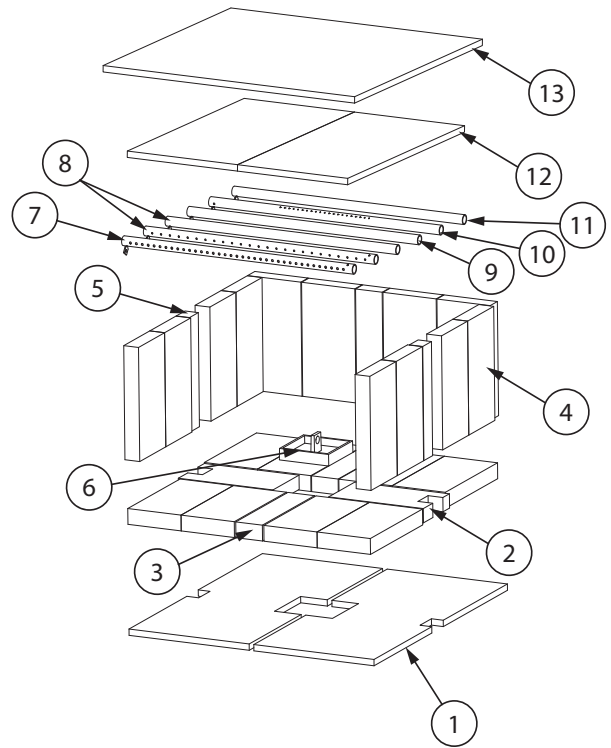
To order parts:

Call 1-800-750-2723 Ext 5051 or

Email to: parts@usstove.com

IN ORDER TO MAINTAIN WARRANTY, COMPONENTS MUST BE REPLACED USING ORIGINAL MANUFACTURERS PARTS PURCHASED THROUGH YOUR DEALER OR DIRECTLY FROM THE APPLIANCE MANUFACTURER. USE OF THIRD PARTY COMPONENTS WILL VOID THE WARRANTY.

Key	Part #	Description	Qty
1	88194	C-Cast Bottom	2
2	892280	Notched Firebrick	2
3	891414	Half Firebrick	3
4	89066	Firebrick (4-1/2 X 9)	20
5	892281	1.5" Firebrick	2
6	40595	Half Brick Ash Plug	1
7	86698	Tube(1), Secondary Air Tube (4mm)	1
8	86699	Tube(2,3), Secondary Air Tube (3mm)	2
9	86700	Tube(4), Secondary Air Tube (2.5mm)	1
10	86701	Tube(5), Secondary Air Tube (2.0mm)	1
11	86702	Tube(6), Secondary Air (No Holes)	1
12	88192	Ceramic Fiber Board Top	2
13	88193	Kao Wool	1

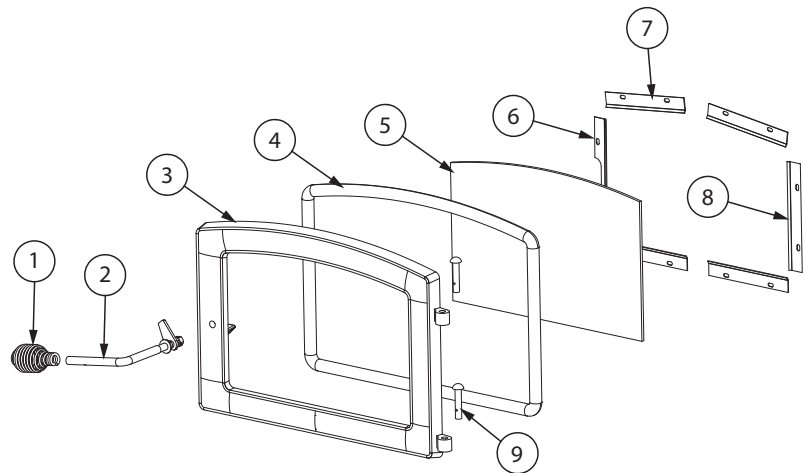


To order parts:

Call 1-800-750-2723 Ext 5051 or

Email to: parts@usstove.com

Key	Part #	Description	Qty
1	891135	Spring Handle	1
2	892266	Handle Assembly	1
3	40596	Ponderosa Cast Door	1
4	88082	Rope Gasket 3/4"	3.5 ft
5	892270	Glass, Chamber Door	1
6	26533	Lg-Cut, Glass Retainer	1
7	26534	Glass Retainer	4
8	26536	Glass Retainer Lg	1
9	83922	Pin w/Cotter, Hinge	2



To order parts:

Call 1-800-750-2723 Ext 5051 or

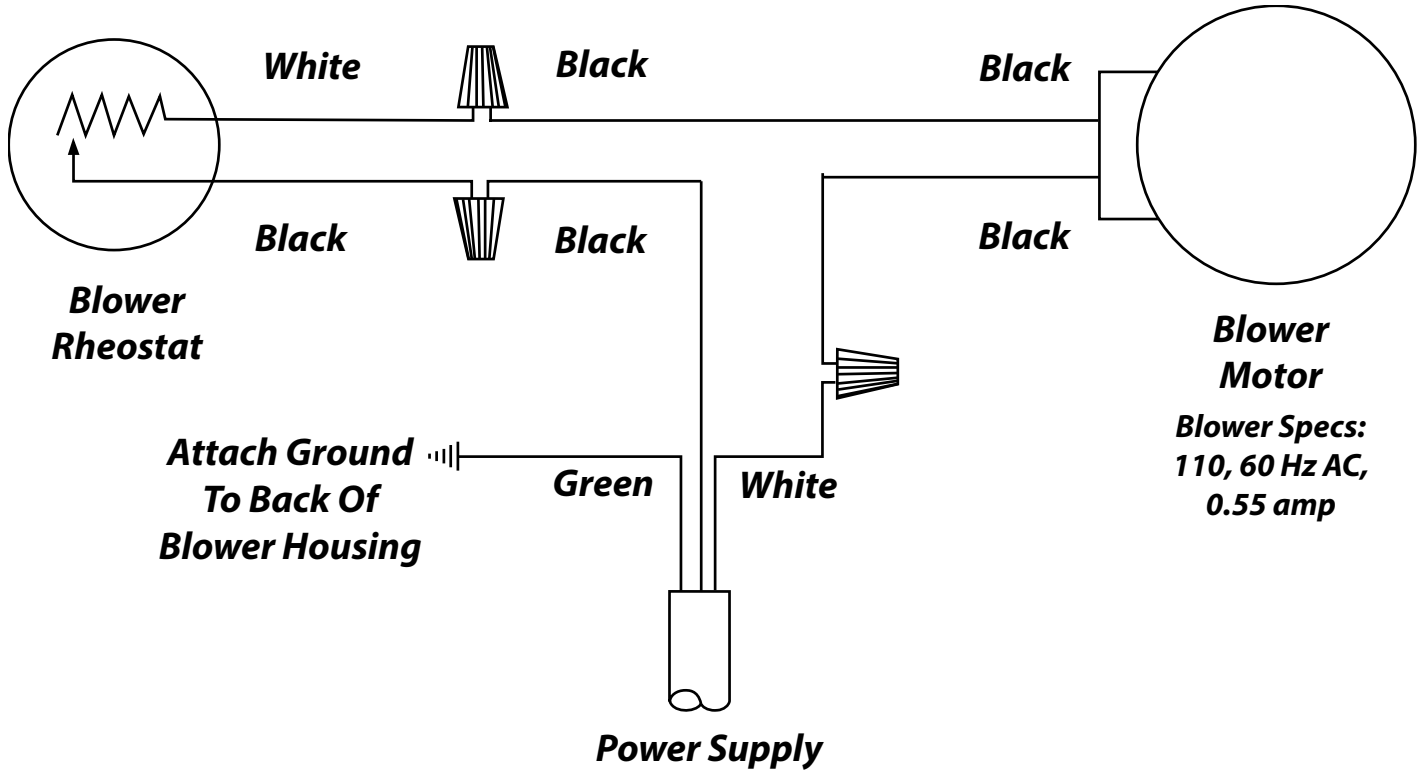
Email to: parts@usstove.com

IN ORDER TO MAINTAIN WARRANTY, COMPONENTS MUST BE REPLACED USING ORIGINAL MANUFACTURERS PARTS PURCHASED THROUGH YOUR DEALER OR DIRECTLY FROM THE APPLIANCE MANUFACTURER. USE OF THIRD PARTY COMPONENTS WILL VOID THE WARRANTY.

WIRING DIAGRAM

DANGER: SHOCK HAZARD. DISCONNECT POWER SOURCE BEFORE INSTALLATION AND WHENEVER SERVICING BLOWER ASSEMBLY.

CAUTION: MOVING PARTS CAN CAUSE INJURY. DO NOT OPERATE WITH COVER REMOVED.



NOTICE: DO NOT ALLOW POWER CORD TO TOUCH HOT SURFACES! KEEP POWER CORD AWAY FROM STOVE OR PIPE SURFACES.

NOTICE: ANY REPLACEMENT WIRING MUST HAVE EQUIVALENT INSULATION AND TEMPERATURE RATING (105°C).

It is recommended that your heating system is serviced regularly and that the appropriate Service Interval Record is completed.

SERVICE PROVIDER

Before completing the appropriate Service Record below, please ensure you have carried out the service as described in the manufacturer's instructions. Always use the manufacturer's specified spare part when replacement is necessary.

Service 01	Date: _____
Engineer Name: _____	
License No.: _____	
Company: _____	
Telephone No.: _____	
Stove Inspected: <input type="checkbox"/>	Chimney Swept: <input type="checkbox"/>
Items Replaced: _____	

Service 02	Date: _____
Engineer Name: _____	
License No.: _____	
Company: _____	
Telephone No.: _____	
Stove Inspected: <input type="checkbox"/>	Chimney Swept: <input type="checkbox"/>
Items Replaced: _____	

Service 03	Date: _____
Engineer Name: _____	
License No.: _____	
Company: _____	
Telephone No.: _____	
Stove Inspected: <input type="checkbox"/>	Chimney Swept: <input type="checkbox"/>
Items Replaced: _____	

Service 04	Date: _____
Engineer Name: _____	
License No.: _____	
Company: _____	
Telephone No.: _____	
Stove Inspected: <input type="checkbox"/>	Chimney Swept: <input type="checkbox"/>
Items Replaced: _____	

Service 05	Date: _____
Engineer Name: _____	
License No.: _____	
Company: _____	
Telephone No.: _____	
Stove Inspected: <input type="checkbox"/>	Chimney Swept: <input type="checkbox"/>
Items Replaced: _____	

Service 06	Date: _____
Engineer Name: _____	
License No.: _____	
Company: _____	
Telephone No.: _____	
Stove Inspected: <input type="checkbox"/>	Chimney Swept: <input type="checkbox"/>
Items Replaced: _____	

Service 07	Date: _____
Engineer Name: _____	
License No.: _____	
Company: _____	
Telephone No.: _____	
Stove Inspected: <input type="checkbox"/>	Chimney Swept: <input type="checkbox"/>
Items Replaced: _____	

Service 08	Date: _____
Engineer Name: _____	
License No.: _____	
Company: _____	
Telephone No.: _____	
Stove Inspected: <input type="checkbox"/>	Chimney Swept: <input type="checkbox"/>
Items Replaced: _____	

Il est recommandé que votre système de chauffage est desservi régulièrement et que le Service Interval enregistré approprié est terminée.

FURNISSEUR DE SERVICES

Avant de terminer l'enregistrement de service approprié ci-dessous, s'il vous plaît vous assurer que vous avez effectué le service tel que décrit dans les instructions du fabricant. Toujours utiliser pièce de rechange indiquée par le fabricant lors de remplacement est nécessaire.

Service de 01 Date: _____ Nom de l'ingénieur: _____ N° de licence: _____ Compagnie: _____ N° de téléphone: _____ Poêle Inspecté: <input type="checkbox"/> Cheminée balayée: <input type="checkbox"/> Articles Remplacés: _____	Service de 02 Date: _____ Nom de l'ingénieur: _____ N° de licence: _____ Compagnie: _____ N° de téléphone: _____ Poêle Inspecté: <input type="checkbox"/> Cheminée balayée: <input type="checkbox"/> Articles Remplacés: _____
--	--

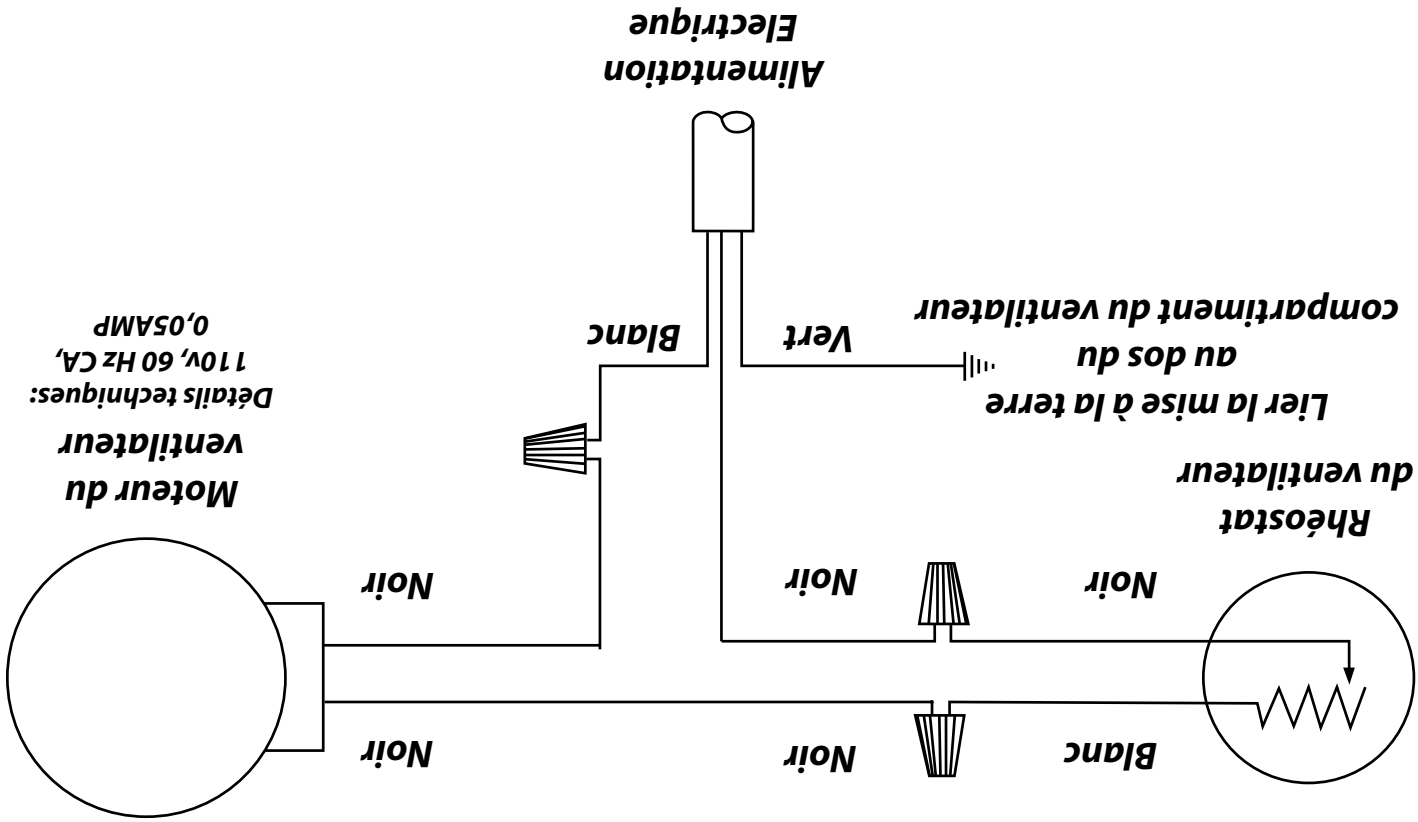
Service de 03 Date: _____ Nom de l'ingénieur: _____ N° de licence: _____ Compagnie: _____ N° de téléphone: _____ Poêle Inspecté: <input type="checkbox"/> Cheminée balayée: <input type="checkbox"/> Articles Remplacés: _____	Service de 04 Date: _____ Nom de l'ingénieur: _____ N° de licence: _____ Compagnie: _____ N° de téléphone: _____ Poêle Inspecté: <input type="checkbox"/> Cheminée balayée: <input type="checkbox"/> Articles Remplacés: _____
--	--

Service de 05 Date: _____ Nom de l'ingénieur: _____ N° de licence: _____ Compagnie: _____ N° de téléphone: _____ Poêle Inspecté: <input type="checkbox"/> Cheminée balayée: <input type="checkbox"/> Articles Remplacés: _____	Service de 06 Date: _____ Nom de l'ingénieur: _____ N° de licence: _____ Compagnie: _____ N° de téléphone: _____ Poêle Inspecté: <input type="checkbox"/> Cheminée balayée: <input type="checkbox"/> Articles Remplacés: _____
--	--

Service de 07 Date: _____ Nom de l'ingénieur: _____ N° de licence: _____ Compagnie: _____ N° de téléphone: _____ Poêle Inspecté: <input type="checkbox"/> Cheminée balayée: <input type="checkbox"/> Articles Remplacés: _____	Service de 08 Date: _____ Nom de l'ingénieur: _____ N° de licence: _____ Compagnie: _____ N° de téléphone: _____ Poêle Inspecté: <input type="checkbox"/> Cheminée balayée: <input type="checkbox"/> Articles Remplacés: _____
--	--

DANGER: RISQUE D'ELECTROCUTION. DEBRANCHER L'ALIMENTATION ELECTRIQUE AVANT L'INSTALLATION ET LORS DE L'ENTRETIEN DE L'AS-SEMBLAGE DU VENTILATEUR REFOULANT.

ATTENTION: PIÈCES MOBILES POUVANT CAUSER DES BLESSURES. NE PAS FAIRE FONCTIONNER SI LE COUVERCLE EST RETIRÉ.



AVIS: NE PAS LAISSER LE FIL ELECTRIQUE ENTRER EN CONTACT AVEC UNE SURFACE CHAUDE! GARDER LE FIL ELECTRIQUE A 12PO / 30CM AU MOINS DE LA SURFACE DU POËLE OU DES CONDUITS.

AVIS: TOUT CÂBLAGE DE REMPLACEMENT DOIT AVOIR UNE ISOLATION ET DES CARACTÉRISTIQUES THERMIQUES SIMILAIRES A L'ORIGINAL (105°C).

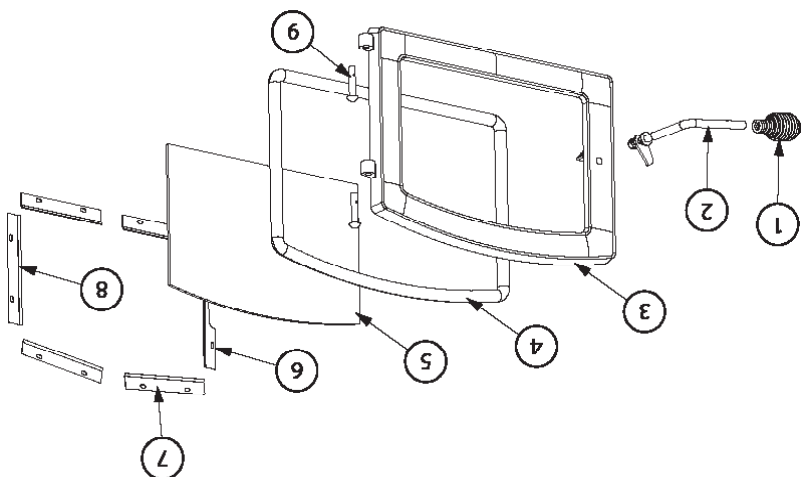
AFIN DE MAINTENIR LA GARANTIE, LES COMPOSANTS DOIVENT ÊTRE REMPLACÉS PAR DES PIÈCES D'ORIGINE ACHETÉES CHEZ VOTRE REVENDUEUR OU DIRECTEMENT AUPRÈS DU FABRICANT DE L'APPAREIL. L'UTILISATION DE COMPOSANTS TIERS ANNULERA LA GARANTIE.

Envoyez un courriel à: parts@usstove.com

Appellez le 1-800-750-2723 Ext 5051 ou

Pour commander des pièces:

Ciè	Partie #	La Description	Qté
1	891135	Poignée à ressort	1
2	892266	Assemblage de la poignée	1
3	40596	Porte coulée	1
4	88082	Joint de corde 3/4 po	3,5 pi
5	892270	Verre, porte de la chambre	1
6	26533	Retenue en verre de grande taille	1
7	26534	Verre de retenue	4
8	26536	Grand verre de retenue	1
9	83922	Broche avec goupille, charnière	2

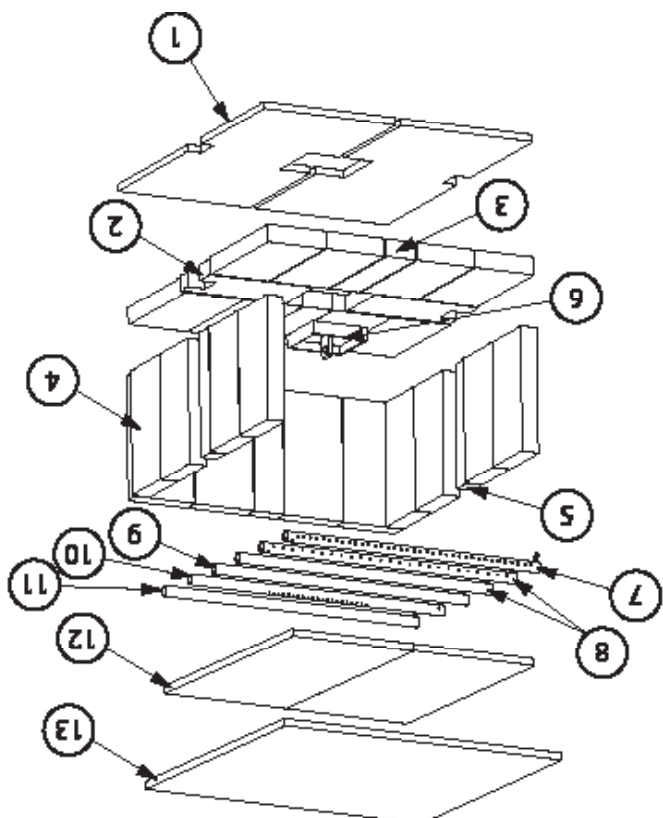


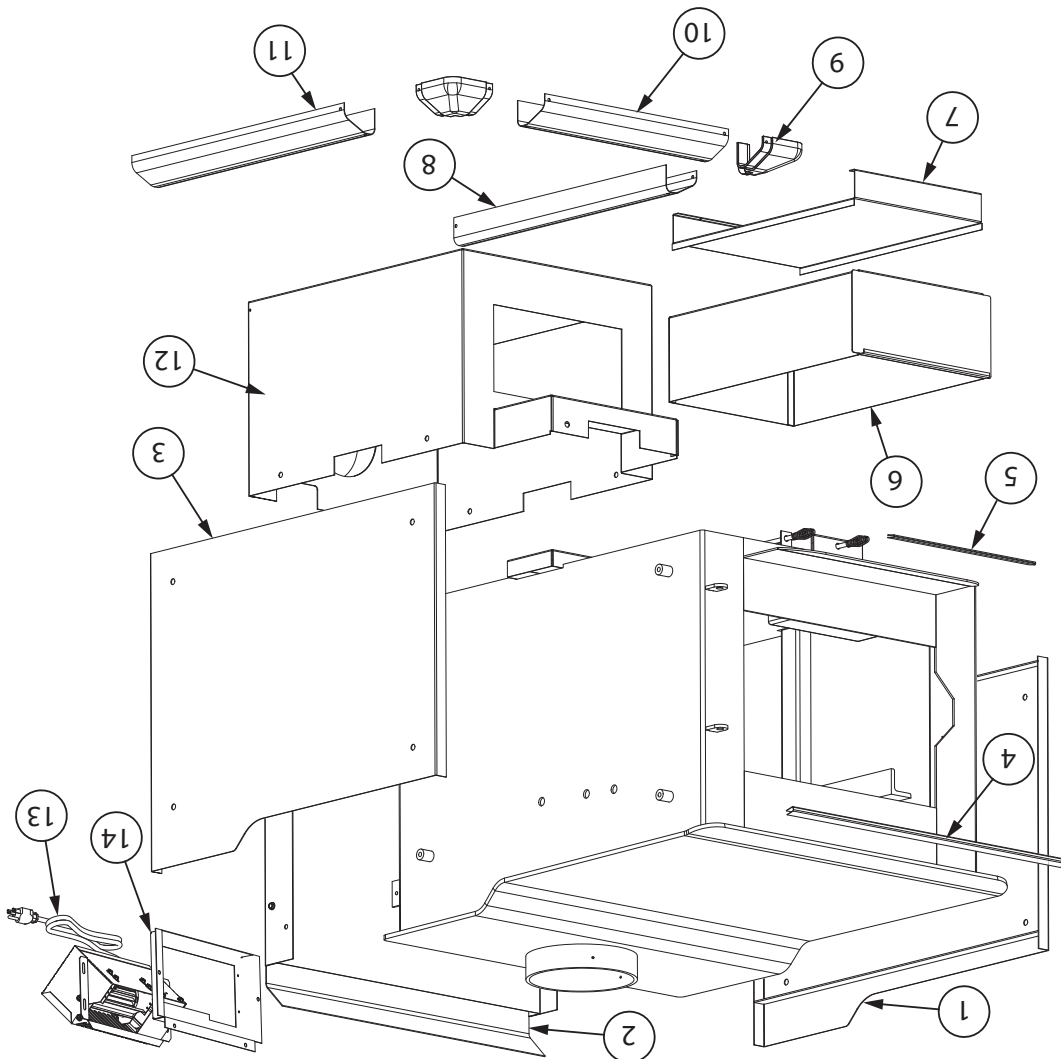
Envoyez un courriel à: parts@usstove.com

Appellez le 1-800-750-2723 Ext 5051 ou

Pour commander des pièces:

Ciè	Partie #	La Description	Qté
1	88194	C-Cast Bas	2
2	892280	Brique de feu entaillée	2
3	891414	Demi brique réfractaire	3
4	89066	Brique réfractaire (4-1/2 x 9)	20
5	892281	1,5 po brique réfractaire	2
6	40595	Bouchon de cendre demi-brique	1
7	86698	Tube d'air secondaire (1) (4 mm)	1
8	86699	Tube d'air secondaire (2,5) (5 mm)	2
9	86700	Tube d'air secondaire (4) (2,5 mm)	1
10	86701	Tube d'air secondaire (5) (2,0 mm)	1
11	86702	Tube d'air secondaire (6) (sans trous)	1
12	88192	Plateau en fibre de céramique	2
13	88193	Laine Kao	1





Clé	Partie #	Description	Qté
1	892268	Bouclier thermique (gauche)	1
2	892269	Bouclier thermique (arrière)	1
3	892267	Bouclier thermique (droite)	1
4	892278	Carniture supérieure	1
5	892279	Carniture de foyer	1
6	69912	Tiroir à cendres	1
7	26548	Support de tiroir à cendres	1
8	26541	Jupe côté gauche	1

9	40597	Coin de jupe	2
10	26546	Jupe avant	1
11	26553	Jupe côté droit	1
12	69911	Piédestal	1
13	CB36	Ensemble de soufflante	1
14	25598	Support de soufflante	1

Pour commander des pièces:
 Appelez le 1-800-750-2723 Ext 5051 ou
 Envoyez un courriel à: parts@usstove.com

AFIN DE MAINTENIR LA GARANTIE, LES COMPOSANTS DOIVENT ÊTRE REMPLACÉS PAR DES PIÈCES D'ORIGINE ACHETÉES CHEZ VOTRE REVENDUEUR OU DIRECTEMENT AUPRÈS DU FABRICANT DE L'APPAREIL. L'UTILISATION DE COMPOSANTS TIERS ANNULERA LA GARANTIE.

Numéro de série
Numéro de modèle
Informations sur le modèle

Les informations contenues dans ce manuel du propriétaire sont spécifiques à votre appareil. Lors de la commande de pièces de rechange, les informations contenues dans ce manuel vous aideront à vous assurer que les bons articles sont commandés. Avant de contacter le service client, notez le numéro de modèle et le numéro de série de cet appareil. Cette information se trouve sur l'étiquette de certification apposée à l'arrière de l'appareil. D'autres informations qui pourraient être nécessaires sont le numéro de pièce et la description de l'article en question. Les références et les descriptions se trouvent dans la section «Pièces de réparation» de ce manuel. Une fois ces informations recueillies, vous pouvez contacter le service client par téléphone au 1-800-750-2723, poste 5051 ou par e-mail à parts@usstove.com.

parts@usstove.com

Pour l'assistance sur les pièces, appelez le 800-750-2723, poste 5051 ou par courriel:

COMMANDE DE PIÈCES DE RECHANGE

AVERTISSEMENT:
CE POÈLE À BOIS DOIT ÊTRE INSPECTÉ ET RÉPARÉ PÉRIODIQUEMENT POUR FONCTIONNER CORRECTEMENT. IL EST CONTRAIRE À LA RÉGLEMENTATION FÉDÉRALE DE FAIRE FONCTIONNER CE POÈLE À BOIS D'UNE MANIÈRE NON CONFORME AUX INSTRUCTIONS D'UTILISATION DE CE MANUEL.

La porte de cet appareil utilise un joint de corde de 3/4 po de diamètre. Il est recommandé de changer le joint de porte (qui rend la porte de votre poêle étanche à l'air) une fois par an, afin d'assurer un bon contrôle de la combustion, une efficacité et une sécurité maximales. Pour changer le joint de porte, retirez simplement celui qui est endommagé. Nettoyez soigneusement la rainure du joint disponible, appliquez un silicone haute température vendu à cet effet et installez le nouveau joint. Vous pouvez rallumer votre poêle environ 24 heures après avoir terminé cette opération.

AVERTISSEMENT:
N'UTILISEZ JAMAIS LE POÈLE SANS JOINT OU AVEC UN CASSE. DES DOMMAGES AU POÈLE OU À L'INCENDIE DE LA MAISON PEUVENT EN RÉSULTER.

ENTRETIEN DES JOINTS

changer le joint en verre pour vous assurer de le garder scellé.

- Ne lavez jamais la vitre avec un produit qui pourrait rayer. Utilisez un produit spécialisé, disponible dans les magasins où les poêles à bois sont vendus. Le verre ne doit être lavé qu'à froid.

- Inspectez et nettoyez régulièrement la vitre pour détecter d'éventuelles fissures. Si vous en repérez, étiquenez immédiatement le poêle. N'abusez pas de la porte vitrée en la claquant. N'utilisez pas le poêle si le verre est cassé.
- Si le verre de votre poêle se brise, remplacez-le uniquement par le verre fourni par votre revendeur de chauffage. Ne remplacez jamais d'autres matériaux par le verre.
- Pour remplacer la vitre, retirez les vis retenant les moules en verre à l'intérieur de la porte. Retirez les moules et remplacez la pièce endommagée par une nouvelle. Effectuez la procédure à l'envers après l'avoir remplacé. Lors du remplacement de la vitre, vous devez

ENTRETIEN VERRE

Le brûlage du bois produit naturellement des émissions de fumée et du monoxyde de carbone (CO). Le CO est un gaz poison lorsque l'exposition se fait à des concentrations élevées pour une période de temps prolongée. Bien que les systèmes de combustion modernes des chauffages réduisent de façon importante la quantité de CO émis par la cheminée, l'exposition aux gaz dans des endroits fermés ou clos peut être dangereuse. Assurez-vous que les joints d'étanchéité de votre poêle et les joints de la cheminée soient en bon état et qu'ils scellent correctement, évitant les expositions indésirables. Il est recommandé que vous utilisiez des détecteurs de fumée et de CO dans les zones où se trouve un potentiel de génération de CO.

DÉTECTEURS DE FUMÉE ET DE CO

tout matériau combustible, en attendant l'élimination finale. Les cendres doivent être conservées dans le récipient fermé jusqu'à ce que toutes les cendres aient complètement refroidi.

NE JAMAIS UTILISER CE PRODUIT SANS SURVEILLANCE

- Laissez le contrôle d'air complètement ouvert pendant environ 5 min. chaque fois que vous rechargez le poêle pour le ramener à des températures de fonctionnement appropriées. La combustion secondaire ne peut avoir lieu que si le foyer est suffisamment chaud.
- Vérifiez toujours le dépôt de créosote une fois tous les deux mois et faites nettoyer votre cheminée au moins une fois par an.
- En cas d'incendie de cheminée ou de créosote, fermez immédiatement tous les registres. Attendez que le feu s'éteigne et que le chauffe-eau refroidisse, puis inspectez la cheminée pour déceler tout dommage. Si aucun dommage ne se produit, effectuez un nettoyage de cheminée pour vous assurer qu'il ne reste plus de dépôts de créosote dans la cheminée.

AVERTISSEMENT:
<p>UN FEU DE CHEMINÉE PEUT PROVOQUER L'INFLAMMATION DE POTAUX MURAUX OU DE CHEVRONS QUI ÉTAIENT SUPPOSÉS ÊTRE À UNE DISTANCE SÛRE DE LA CHEMINÉE. EN CAS D'INCENDIE DE CHEMINÉE, FAITES INSPECTER VOTRE CHEMINÉE PAR UN EXPERT QUALIFIÉ AVANT DE L'UTILISER À NOUVEAU.</p>

ENLÈVEMENT DES CENDRES ET LEUR DISPOSITION

AVERTISSEMENT:
<ul style="list-style-type: none"> • LES CENDRES POURRAIENT CONTENIR DES EMBRES CHAUDES MÊME APRÈS DEUX JOURS SANS FAIRE FONCTIONNER LE POÊLE. • LE CENDRIER PEUT DEVENIR TRÈS CHAUD. PORTER DES GANTS POUR PRÉVENIR LES BLESSURES. • NE BRÛLEZ JAMAIS LE POÊLE AVEC LE PIÈGE À CENDRES OUVERT. CELA POURRAIT PROVOQUER PLUS DE CUISSON DU POÊLE. DES DOMMAGES AU POÊLE ET À UN MÊME INCENDIE PEUVENT EN RÉSULTER.

Chaque fois que les cendres atteignent 3 à 4 pouces de profondeur dans votre foyer ou cendrier, et lorsque le feu a brûlé et refroidi, retirez les cendres en excès. Laissez un lit de cendres d'environ 1 pouce de profondeur sur le fond de la chambre de combustion pour aider à maintenir un lit de charbon de bois chaud. Les cendres doivent être placées dans un récipient en métal avec un couvercle hermétique. Le contenant fermé de cendres doit être placé sur un sol incombustible ou sur le sol, à l'écart de

AVERTISSEMENT:
<p>NE PAS SURCHAUFFER L'APPAREIL. VOUS SURCHAUFFEZ SI UNE PARTIE QUELCONQUE DE L'APPAREIL S'ALLUME EN ROUGE. FERMEZ LA PORTE ET FERMEZ IMMÉDIATEMENT LE REGISTRE POUR RÉDUIRE L'ALIMENTATION EN AIR ET RALENTIR LE FEU.</p>
AVERTISSEMENT:
<p>LES FEUX À COMBUSTION LENTE POUR UNE UTILISATION PROLONGÉE OU LA COMBUSTION DE BOIS VERT PEUVENT PROVOQUER UNE ACCUMULATION EXCESSIVE DE CRÉOSOTE. L'ALLUMAGE DE LA CRÉOSOTE OU LA SURCHAUFFE PEUVENT PROVOQUER UN FEU DE CHEMINÉE. LES FEUX DE CHEMINÉE BRÛLENT EXTRÊMEMENT CHAUD ET PEUVENT ENFLAMMER LES MATÉRIAUX COMBUSTIBLES ENVIRONNANTS. EN CAS D'INCENDIE DE CHEMINÉE, APPELEZ IMMÉDIATEMENT LE SERVICE D'INCENDIE!</p>

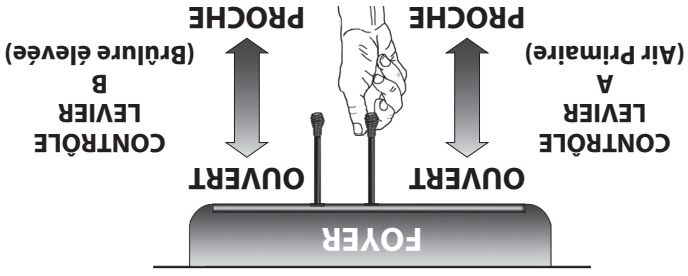
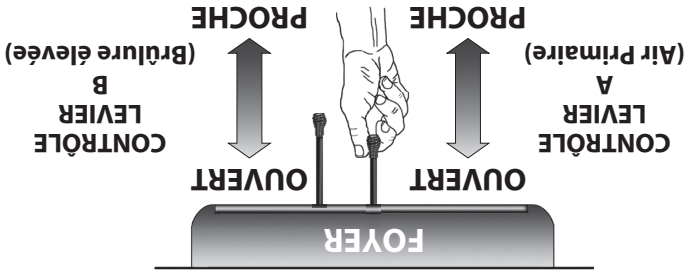
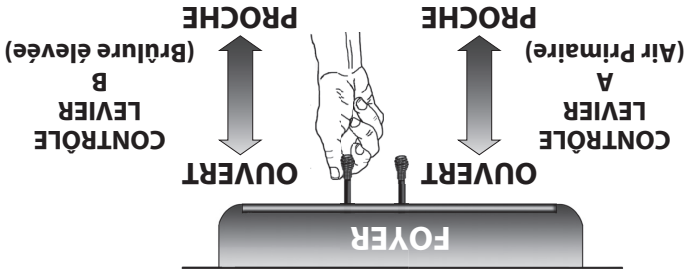
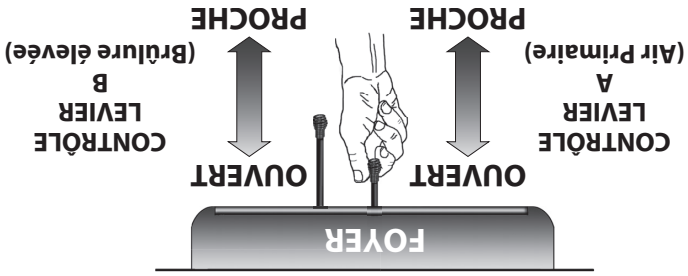
FORMATION DE CRÉOSOTE ET BESOIN D'ENLÈVEMENT

Lorsque le bois est brûlé lentement, il produit du goudron et d'autres vapeurs organiques, qui se combinent avec l'humidité expulsée pour former de la créosote. Les vapeurs de créosote se condensent dans le conduit de cheminée relativement frais d'un feu à combustion lente. Par conséquent, des résidus de créosote s'accumulent sur le revêtement du conduit de fumée. Lorsqu'elle est allumée, cette créosote fait un feu extrêmement élevé. Le raccord de cheminée et la cheminée doivent être inspectés au moins une fois tous les deux mois pendant la saison de chauffage pour déterminer si une accumulation de créosote s'est produite. Si la créosote s'est accumulée (3 mm ou plus), elle doit être retirée pour réduire le risque d'incendie de cheminée. Nous vous recommandons fortement d'installer un thermomètre magnétique sur votre tuyau d'échappement de fumée, à environ 18 po au-dessus du poêle. Ce thermomètre indiquera la température de vos fumées d'échappement de gaz dans le système d'évacuation des fumées. La température idéale pour ces gaz se situe entre 275°F et 500°F. En dessous de ces températures, l'accumulation de créosote est favorisée. Au-dessus de 500°F, la chaleur est perdue car une trop grande quantité est perdue dans l'atmosphère.

POUR ÉVITER LA CONSTRUCTION DE CRÉOSOTE

- Brûlez toujours du bois sec. Cela permet des brûlures propres et des températures de cheminée plus élevées, donc moins de dépôt de créosote.

Pour un réglage de combustion faible une fois que la charge de combustible à combustion élevée (ou moyenne) est brûlée jusqu'à un lit de charbon établi, la porte ouverte pendant deux minutes. Après deux minutes, fermez la porte. Gardez le toboggan secondaire complètement ouvert pendant 10 minutes puis fermez-le complètement et réglez le toboggan primaire à moitié fermé. Au moment de 15 minutes de chargement de votre carburant, la glissière d'air primaire doit être réglée sur le réglage bas qui tire complètement la glissière d'air vers vous. REMARQUE: ne fermez pas l'air trop rapidement. Fermer l'air trop rapidement fera fumer l'appareil.



AVERTISSEMENTS:
NE METTEZ JAMAIS DE BOIS AU-DESSUS DE LA DOUBLURE DU FEU DE FEU.

FUMÉE VISIBLE

La quantité de fumée visible produite peut être une méthode efficace pour déterminer l'efficacité du processus de combustion aux paramètres donnés. La fumée visible est constituée de combustible non brûlé et d'humidité sortant de votre poêle. Apprenez à régler les paramètres d'air de votre unité spécifique pour produire la plus petite quantité de fumée visible. Le bois qui n'a pas été correctement séché et qui a une teneur élevée en humidité produira un excès de fumée visible et brûlera mal.

CONDUITS D'AIR

Les conduits d'air assemblés dans cette unité sont conçus pour offrir un mélange précis d'air secondaire et assurer une plus grande efficacité. Tout dommage ou détérioration de ces conduits peuvent réduire l'efficacité de la combustion. Les conduits d'air sont maintenus en position par des vis ou par des goupilles de blocage. Localisez et enlevez-les des deux côtés du conduit pour le retirer et le remettre en place.

FONCTIONNEMENT DE LA SOUFFLERIE

Le ventilateur à vitesse variable fait circuler l'air réchauffé par la chambre de combustion dans le salon pour répartir la chaleur plus uniformément. Le bouton de commande du ventilateur est situé sur le côté du boîtier du ventilateur. Tournez le bouton dans le sens des aiguilles d'une montre pour mettre le ventilateur en marche. La vitesse est contrôlée en tournant le bouton dans le sens des aiguilles d'une montre pour des vitesses plus lentes et dans le sens inverse des aiguilles d'une montre pour des vitesses plus rapides. Pour arrêter le ventilateur, tournez le bouton de commande de vitesse à fond dans le sens antihoraire. Il est recommandé d'éteindre le ventilateur lorsque l'unité n'est pas en fonctionnement. Le ventilateur doit être retiré au début de chaque saison de «brûlure» et nettoyé par soufflage à l'air, en éliminant toute poussière ou accumulation.

AVERTISSEMENTS:

- **NE JAMAIS SURCHAUFFER VOTRE POÊLE. SI UNE PARTIE DU POÊLE COMMENCE À LUMIÈRE ROUGE, PLUS DE CUISSON ARRIVE. RÉAJUSTEZ LA COMMANDE D'ADMISSION D'AIR À UN RÉGLAGE PLUS BAS.**
- **L'INSTALLATION D'UN BERCEAU À BÛCHES OU DE GRILLES N'EST PAS RECOMMANDÉE DANS VOTRE POÊLE À BOIS. CONSTRUISEZ LE FEU DIRECTEMENT SUR FIREBRICK.**
- **LES TENTATIVES POUR ATTEINDRE DES DÉBITS DE CHALEUR SUPÉRIEURS AUX SPÉCIFICATIONS DE CONCEPTION DU RÉCHAUFFEUR PEUVENT ENTRAÎNER DES DOMMAGES PERMANENTS AU RÉCHAUFFEUR.**

NOTIFICATION - LES PREMIERS FEUX POUR SÉCHER LA PEINTURE

À CAUSE DES HAUTES TEMPÉRATURES ATTEINTES LORS DU FONCTIONNEMENT, CET APPAREIL EST REVÊTU D'UNE PEINTURE SPÉCIALE CONÇUE POUR LES HAUTES TEMPÉRATURES. ELLE EXIGE UNE SÉRIE DE FEUX À INTENSITÉ BASSE ET MOYENNE POUR SÉCHER ENTièrement ET AINSI GARANTIR LA DURABILITÉ ET LA VIE DE SERVICE.

Le séchage correct de la peinture à haute température exige une série de trois feux initiaux. L'appareil devrait être refroidi entre chaque feu. Les deux premiers feux devraient être des petits feux à température basse (250° F) pour une durée de 20 minutes chacun. Le troisième feu devrait être à une température moyenne (500° F à 700° F) pendant 20 minutes. Aérez de façon suffisante pour éliminer la fumée ou les odeurs causées par ces feux.

Remarque: utilisez uniquement du bois de chauffage solide! Ne brûlez pas les ordures ou les liquides inflammables. N'utilisez pas de charbon. Cet appareil n'est pas conçu pour accueillir le débit d'air (tirage) requis pour brûler correctement le charbon ou les produits du charbon. Ne pas élever le feu à l'aide de grilles ou de fers. Construisez le feu directement sur la brique réfractaire.

INSTRUCTIONS DE RAVITALEMENT

Ce poêle à bois a été certifié par l'US EPA pour répondre aux strictes directives 2020. Pour garantir que cet appareil produit les émissions minimales optimales, il est essentiel que seul du bois de cordon bien séché soit brûlé (voir la section «Recommandations de carburant» de ce manuel). La combustion de bois humide non séché ne fait que nuire à l'efficacité de vos poêles et entraîne une accumulation accélérée de crésote dans votre cheminée. Soyez respectueux de l'environnement et ne brûlez que du bois sec.

ATTENTION:
NE LAISSEZ PAS L'APPAREIL SANS SURVEILLANCE AVEC LA PORTE OUVERTE.

Pour un démarrage à froid, placez 4 à 5 morceaux de papier journal dans la chambre de combustion. Sur le dessus du journal, déposez 5 lb de bois d'allumage dans un emplacement aléatoire pour assurer la circulation de l'air à travers le bois d'allumage. Sur le bois d'allumage, placez environ 6,5 lb de petits morceaux de bois de corde. REMARQUE: Utilisez de plus petits morceaux de bois pendant le démarrage et un taux de combustion élevé pour augmenter la température du poêle.



Poussez les deux glissières de commande d'air en position complètement ouverte. Allumez le journal et fermez la porte. Une fois que le bois d'allumage a brûlé jusqu'à un lit de charbon de démarrage, chargez l'unité avec environ 26 à 27 lb de carburant pour la première charge de combustion élevée.



Après la première charge de combustion élevée et le poêle est bien réchauffé, ajustez l'unité au besoin pour un réglage de combustion moyen ou faible.

Pour une combustion moyenne, une fois que la charge de combustible à combustion élevée est brûlée jusqu'à un lit de charbon établi, chargez l'unité avec 31 à 32 lb de bois de corde et gardez la porte légèrement ouverte pendant 2 minutes. Après deux minutes, fermez la porte. Gardez le toboggan secondaire complètement ouvert pendant 10 minutes puis fermez-le complètement et réglez le toboggan primaire à moitié fermé. Au moment de 15 minutes de chargement de votre carburant, la glissière d'air primaire doit être réglée sur le réglage moyen qui est d'environ 1/2 pouce ouvert à partir de la position complètement fermée.



une installation sur des tuyaux de poêle à paroi simple. Le thermomètre doit être placé à environ 18" (457 mm) au-dessus du poêle. Des températures plus élevées peuvent entraîner une surchauffe et endommager votre poêle.

TESTER VOTRE BOIS

- Lorsque le poêle est bien réchauffé, placez un morceau de bois fendu (environ cinq pouces de diamètre) parallèle à la porte sur le lit de braises rouges.
- Gardez la commande d'air complètement ouverte et fermez la porte. Si le bois s'enflamme dans les 90 secondes suivant le moment où il a été placé dans le poêle, votre bois est correctement séché. Si l'allumage prend plus de temps, votre bois est humide.
- Si votre bois siffle et que de l'eau ou de la vapeur s'échappe aux extrémités de la pièce, votre bois est trempé ou fraîchement coupé (vert). N'utilisez pas ce bois dans votre poêle. De grandes quantités de créosote pourraient se déposer dans votre cheminée, créant des conditions potentielles pour un feu de cheminée.

ALTERER AVERTISSEMENT

Ce chauffage au bois a un taux de combustion minimum réglé à la fabrication, et qui ne peut être modifié. La modification de ce réglage ou une utilisation autre de ce chauffage au bois qui ne respecterait pas les directives du présent manuel contrevient aux réglementations fédérales.

EFFICACITÉ

Les rendements peuvent être basés sur la valeur calorifique inférieure (LHV) ou la valeur calorifique supérieure (HHV) du combustible. La valeur calorifique inférieure est lorsque l'eau quitte le processus de combustion sous forme de vapeur, l'humidité du bois brûlé quitte le poêle sous forme de vapeur. Le pouvoir calorifique supérieur est lorsque l'eau quitte le processus de combustion complètement condensée. Dans le cas des poêles à bois, cela supposerait que les gaz d'échappement sont à température ambiante à la sortie du système, et donc les calculs utilisant cette valeur de chauffage considèrent la chaleur qui monte dans la cheminée comme une énergie perdue. Par conséquent, l'efficacité calculée en utilisant le pouvoir calorifique inférieur du bois sera supérieure à l'efficacité calculée en utilisant le pouvoir calorifique supérieur. La meilleure façon d'atteindre des rendements optimaux est d'apprendre les caractéristiques de combustion de votre appareil et de brûler du bois bien séché. Des taux de combustion plus élevés ne sont pas toujours les meilleurs taux de combustion par chauffage; après avoir établi un bon feu, un taux de combustion inférieur peut être une meilleure option pour un chauffage efficace. Un taux de combustion inférieur ralentit le flux de chaleur utilisable hors de la maison par la cheminée, et il consomme également moins de bois.

feu composés de papier, carton, sciure de bois, cire et substances similaires, aux fins de démarrage le feu dans un chauffage au bois modifié.

La combustion de ces matériaux peut entraîner la libération de fumées toxiques ou rendre le radiateur inefficace et provoquer de la fumée. Le bois mort posé sur le sol forestier doit être considéré comme humide et nécessite un temps de séchage complet. Le bois mort sur pied peut généralement être considéré comme environ 2/3 assaisonné. Les petits morceaux de bois séchent plus rapidement. Toutes les bûches de plus de 6 po de diamètre doivent être fendues. Le bois ne doit pas être stocké directement sur le sol. L'air devrait circuler dans les bûches. Un espace d'air de 24 po à 48 po doit être laissé entre chaque rangée de bûches, qui doivent être placées à l'endroit le plus ensoleillé possible. La couche supérieure de bois doit être protégée de l'élément mais pas des côtés. Un bon indicateur pour savoir si le bois est prêt à brûler est de vérifier les extrémités des pièces. Si des fissures rayonnent dans toutes les directions à partir du centre, le bois doit être suffisamment sec pour brûler. Si votre bois grésille dans le feu, même si la surface est sèche, il se peut qu'il ne soit pas complètement durci et devrait être séché plus longtemps. Il est EXTRÊMEMENT IMPORTANT d'utiliser du BOIS SEC uniquement dans votre poêle à bois. Le bois doit avoir séché pendant 9 à 15 mois, de sorte que la teneur en humidité (en poids) le bois utilisé était trop humide ou avait séché dans de mauvaises conditions. Ces problèmes peuvent être:

- problèmes d'allumage
- accumulation de créosote provoquant des feux de cheminée
- faible rendement énergétique
- fenêtres noircies
- combustion de bûches incomplète

Ne brûlez pas de bûches fabriquées à partir de sciure de bois imprégnées de cire ou de bûches contenant des additifs chimiques. Les bûches fabriquées à 100% de sciure compressée peuvent être brûlées, mais soyez prudent en brûlant trop de ces bûches en même temps. Commencez avec une bûche fabriquée et voyez comment le poêle réagit. Vous pouvez augmenter le nombre de bûches brûlées à la fois, mais assurez-vous que la température ne dépasse jamais 475 ° F (246 ° C) sur un thermomètre magnétique pour



NE JAMAIS UTILISER CE PRODUIT SANS SURVEILLANCE

PRÉCAUTIONS DE SÉCURITÉ LORS DE L'UTILISATION

- NE JAMAIS SURCHAUFFER CET APPAREIL EN FAISANT DES FEUX EXCESSIVEMENT CHAUDS, CAR UN INCENDIE POURRAIT EN RÉSULTER DANS UNE MAISON OU UN BÂTIMENT. VOUS SURCHAUFFEZ L'APPAREIL S'IL COMMENCE À BRILLER OU À DEVENIR ROUGE.
- NE JAMAIS FAIRE DE FEUX EXCESSIVEMENT GRANDS DANS CE TYPE D'APPAREIL, CAR CELA POURRAIT ENDOMMAGER LA CHAMBRE DE COMBUSTION OU PROVOQUER UNE FUIITE DE FUMÉE.

- NE FAITES PAS DE FEU TROP PRÈS DU VERRE. CHAUD PENDANT LE FONCTIONNEMENT. ÉLOIGNEZ LES ENFANTS, LES VÊTEMENTS ET LES MEUBLES. LE CONTACT PEUT PROVOQUER DES BRÛLURES CUTANÉES. NE TOUCHEZ PAS L'APPAREIL TANT QU'IL N'A PAS REFROIDI.
- FOURNIR UN AIR SUFFISANT POUR LA COMBUSTION DANS LA PIÈCE OÙ L'APPAREIL EST INSTALLÉ.
- INSPECTEZ LE REVÊTEMENT DE CHEMINÉE TOUTS LES 60 JOURS. REMPLACEZ IMMÉDIATEMENT LA DOUBLURE SI ELLE ROUILLE OU SI DE LA FUMÉE FUT DANS LA PIÈCE.
- LES TENTATIVES POUR ATTEINDRE DES TAUX DE PRODUCTION DE CHALEUR QUI DÉPASSENT LES SPÉCIFICATIONS DE CONCEPTION DU RÉCHAUFFEUR PEUVENT ENTRAÎNER DES DOMMAGES PERMANENTS AU RÉCHAUFFEUR.

- N'UTILISEZ JAMAIS DE PRODUITS CHIMIQUES, ESSENCE, CARBURANT DE LANTERNE DE TYPE RAPIDE POUR CHARBON OU FLUIDES SIMILAIRES ESSENCE, KÉROSENE, LIQUIDES D'ALLUMAGE INFLAMMABLES POUR COMMENCER OU BIEN ATTISER UN FEU DANS L'APPAREIL.
- GARDEZ LES LIQUIDES INFLAMMABLES, SURTOUT L'ESSENCE, ÉLOIGNÉS DE L'APPAREIL - QUE CE SOIT DANS UN BUT D'UTILISATION OU DE STOCKAGE.

AVERTISSEMENT: RISQUE D'EXPLOSION

DÉPÔTS: RISQUES D'INCENDIE MAISON

- NE CONSERVEZ PAS LE BOIS SUR UN PROTECTEUR DE PLANCHER, SOUS LES TUYAUX DE POÊLE OU N'IMPORTE O DANS LES DÉGAGEMENTS DES SURFACES COMBUSTIBLES SPÉCIFIÉES POUR CET APPAREIL.
- NE JAMAIS FAIRE FONCTIONNER AVEC DES TUBES SECONDAIRES, UN CARTON DE FIBRE OU UNE ISOLATION RETIRÉE.

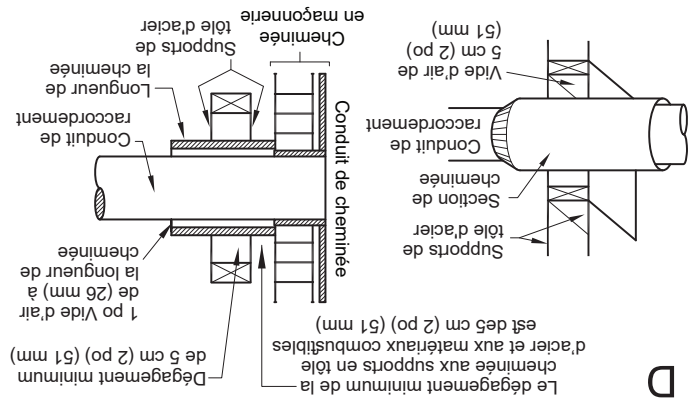
UTILISATION DU POÊLE À BOIS

Votre appareil de chauffage a été conçu pour brûler uniquement du bois naturel bien séché; aucun autre matériau ne doit être brûlé. N'importe quel type de bois naturel bien séché peut être utilisé dans votre poêle, mais certaines variétés ont de meilleurs rendements énergétiques que d'autres. Des rendements plus élevés et des émissions plus faibles résultent généralement de la combustion de bois durs séchés à l'air, par rapport aux résineux ou aux feuillus trop verts ou fraîchement coupés. Les ressources suivantes peuvent aider à apprendre les caractéristiques de combustion de diverses essences de bois: <http://firewoodresource.com/firewood-btu-ratings/>; ou <https://forrestry.us.edu/forest-products/wood-heating>. Le fonctionnement de ce poêle à bois annule votre garantie et est également contraire à la réglementation fédérale. Les déchets et autres matériaux inflammables ne doivent pas être brûlés dans votre poêle. NE BRÛLEZ PAS:

1. Des ordures;
2. Des déchets de tonte ou résidus de jardin;
3. Des matériaux contenant du caoutchouc, incluant les pneus;
4. Matériaux contenant du plastique;
5. Des déchets de produits du pétrole, des peintures ou diluants à peinture, ou des produits d'asphalte;
6. Matériaux contenant de l'amiante;
7. Débris de construction ou de démolition;
8. Traverses de voie ferrée ou bois traité sous pression;
9. Fumier ou restes d'animaux;
10. Bois de grève en eau salée ou autres matériaux précédemment saturés par de l'eau salée;
11. Bois non séché; ou
12. Produits du papier, carton, contreplaqué, ou panneau de particules. L'interdiction de brûlage de ces matériaux n'interdit pas l'utilisation d'allume-

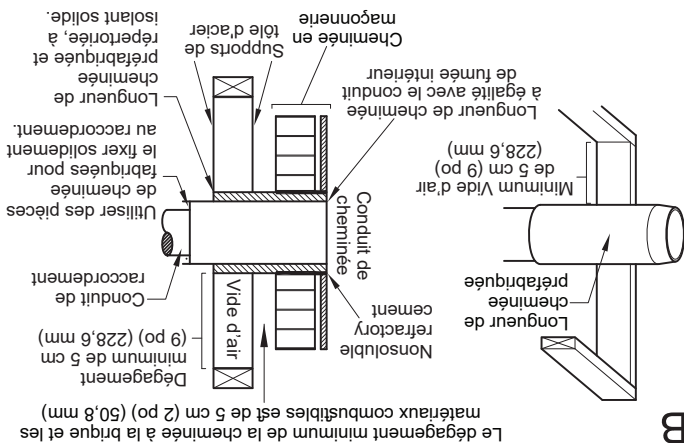
INSTALLATION

Méthode D. Dégagement de 2 po (50,8 mm) avec un membre de paroi combustible: Commencez avec une partie de cheminée Solid-Pak fabriquée en usine, agréée, d'au moins 12 po (304 mm) de diamètre intérieur avec une isolation de 8 po de diamètre intérieur (de 2 pouces [51 mm] plus grand que celui de 6 po [152,4 mm]). Utilisez celle-ci comme passage pour un raccord de cheminée métallique pour paroi unique de calibre 24 minimum. Maintenez la section concentrique solid-pak avec le raccord de la cheminée et à une distance de 1 po (25,4 mm) de ce dernier grâce aux platines-soutiens en tôle situées aux deux extrémités de la section de la cheminée. Couvrez l'ouverture et soutenez la section de la cheminée des deux côtés à l'aide de supports métalliques en tôle de calibre 24 minimum. Vérifiez que les supports soient fixés de façon sûre aux surfaces de la paroi sur tous les côtés. Assurez-vous des éléments de fixation utilisés pour maintenir le conduit de carneau de la cheminée.

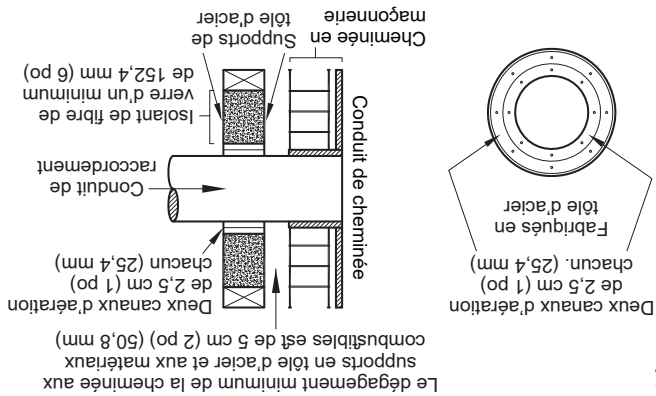


• Les raccords d'une cheminée de maçonnerie, sauf ceux de la méthode B, devront s'étendre sur une section continue à travers le système de passage mural et la paroi de la cheminée, jusqu'à la surface du revêtement intérieur du carneau mais sans le dépasser.

• Un raccord de cheminée ne devra pas passer à travers un grenier ou un espace du toit, des toilettes ou des espaces confinés similaires, un plancher ou un plafond.



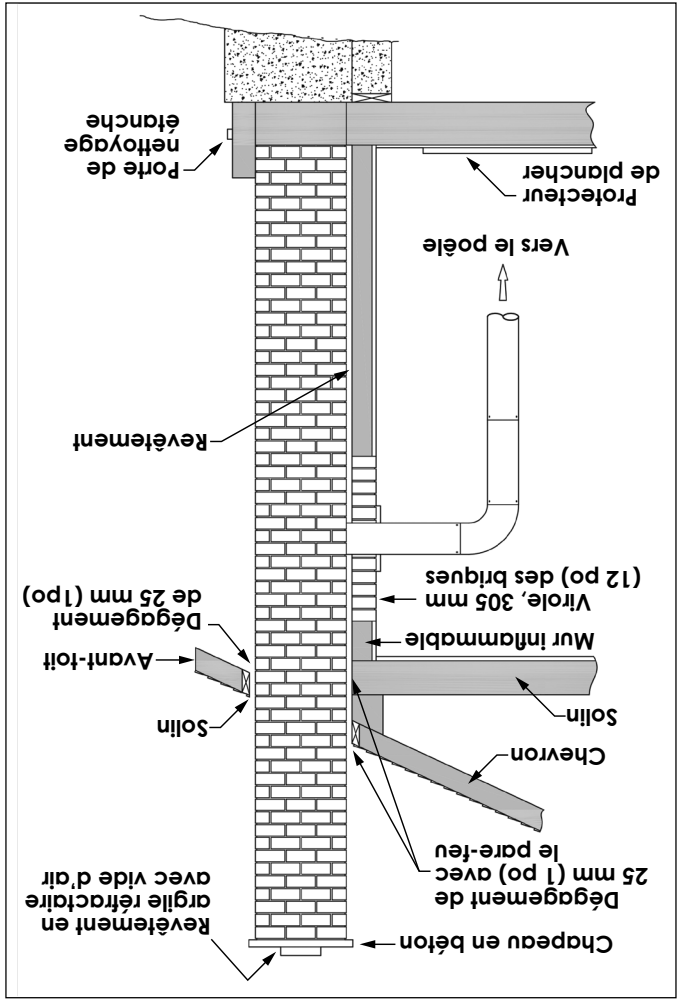
Méthode C. Dégagement de 6 po (152,4 mm) avec un membre de paroi combustible: En commençant avec un raccord de cheminée métallique de 6 po (152,4 mm) de calibre 24 (0,024 po [0,61 mm]), et un manchon mural ventilé de calibre 24 minimum ayant deux conduits d'air de 1 po (25,4 mm) chacun, construisez un passage à travers la paroi. Il devra y avoir une zone de séparation en fibre de verre, à partir de la surface extérieure du manchon mural jusqu'aux matériaux combustibles de la paroi. Soutenez le manchon mural et couvrez son ouverture avec un support métallique en tôle de calibre 24 minimum. Maintenez un espace de 6 po (152,4 mm). Il devra également y avoir un support dimensionné pour adapter et maintenir le raccord de cheminée métallique. Vérifiez que les supports soient fixés de façon sûre aux surfaces de la paroi sur tous les côtés. Assurez-vous que les éléments de fixation utilisés pour maintenir le raccord de cheminée métallique ne pénètrent pas dans le revêtement du carneau de la cheminée.



Qu'une cheminée métallique préfabriquée est utilisée, les instructions d'installation du fabricant doivent être respectées. Vous devez également acheter (auprès du même fabricant) et installer l'ensemble de support du toit ou le passage du toit et l'ensemble de la partie en "T", des coupe-feux (si nécessaires), un écran d'isolation, un chaperon de toiture, un chapeau de cheminée, etc. Maintenez un dégagement approprié avec la structure tel que recommandé par le fabricant. La cheminée doit avoir la hauteur requise au-dessus du toit ou d'autres obstructions pour des raisons de sécurité et un bon tirage.

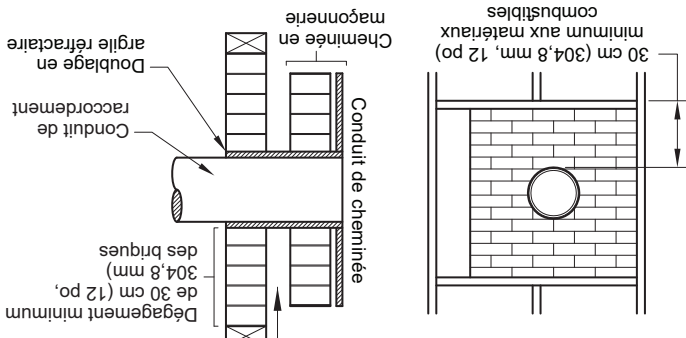
CHEMINÉE EN MAÇONNERIE

Assurez-vous qu'une cheminée en maçonnerie répond aux standards minimum de l'Association nationale de protection contre les incendies (NFPA) en la faisant inspecter par un professionnel. Assurez-vous qu'il n'y ait pas de fissures, de mortiers perdus ou d'autres signes de détérioration et de blocage. Faites nettoyer la cheminée avant d'installer et de faire fonctionner le poêle. Lors du raccordement du poêle à travers une paroi combustible vers une cheminée en maçonnerie, des méthodes spéciales sont requises.

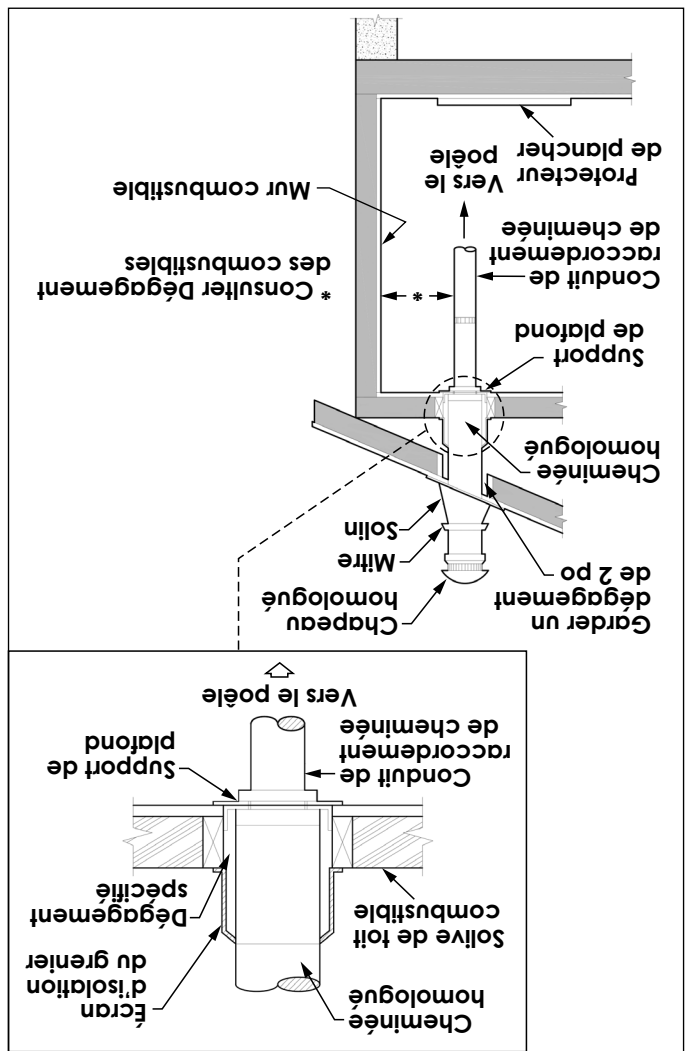


PASSAGES DE RACCORDEMENT DE CHEMINÉE À TRAVERS UNE PAROI COMBUSTIBLE

Méthode A. Dégagement de 12 po (304,8 mm) avec un membre de paroi combustible: En utilisant des briques d'une épaisseur minimale de 3,5 po (89 mm) et un revêtement en argile d'une épaisseur minimale de 5/8 po (15,9 mm), construisez un passage à travers la paroi. Le revêtement en argile doit être conforme à l'ASTM C315 (Spécification standard des revêtements réfractaires en argile) ou son équivalent. Maintenez un minimum de 12 po (304,8 mm) de maçonnerie en briques entre le revêtement en argile et les matériaux combustibles de la paroi. Le revêtement en argile devra s'étendre de la surface extérieure de la maçonnerie en briques jusqu'à la surface intérieure du revêtement du carneau de la cheminée mais pas au-delà de la surface intérieure. Coulez ou cimentez fermement le revêtement en argile en place dans le revêtement du carneau de la cheminée.



Méthode B. Dégagement de 9 po (228,6 mm) avec un membre de paroi combustible: En utilisant une partie de cheminée Solid-Pak fabriquée en usine, agrée, de 6 po (152,4 mm) de diamètre intérieure avec une isolation de 1 po (25,4 mm) ou plus, construisez un passage à travers la paroi avec une couche d'air de 9 po (228,6 mm) minimum entre la paroi extérieure de la cheminée et les matériaux combustibles de la paroi. Utilisez des supports en tôle fixés de façon sûre aux surfaces de la paroi sur tous les côtés afin de maintenir une couche d'air de 9 po (228,6 mm). Lors de la fixation des supports sur la longueur de la cheminée, ne pénétrez pas dans le revêtement de la cheminée (la paroi intérieure de la cheminée Solid-Pak). L'extrémité du revêtement de l'intérieur du carneau de la cheminée en maçonnerie, et être scellée avec un ciment réfractaire non soluble dans l'eau. Utilisez ce ciment pour également calfeutrer la pénétration de la maçonnerie en briques.

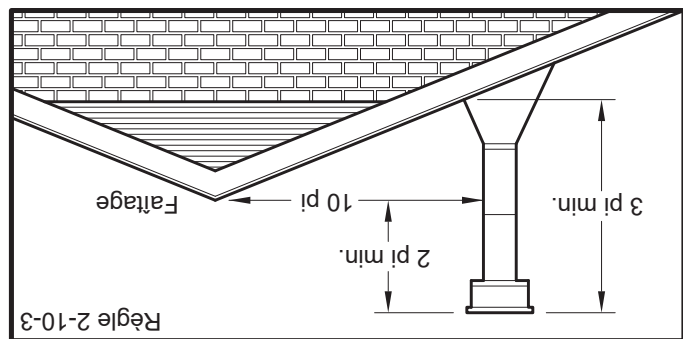


CHEMINÉE FABRIQUÉE EN USINE

2. Elle doit s'élever au-dessus du toit d'au moins 3 pi (0,9 m) à partir du point le plus haut de contact.
3. La cheminée doit dépasser toute partie de la construction ou autre obstruction à moins de 10 pi (3,04 m) d'une hauteur de 2 pi (0,6 m).
4. L'installation d'une cheminée intérieure est toujours préférable à une cheminée extérieure. En effet, la cheminée intérieure, sera, par définition, plus chaude qu'une cheminée extérieure, étant donné qu'elle est chauffée par l'air ambiant de la maison. Par conséquent, le gaz qui circule se refroidira plus lentement, réduisant ainsi l'accumulation de créosote et le risque de feux de cheminée.
5. Le tirage entraîné par la tendance de l'air chaud à s'élever sera augmenté avec une cheminée intérieure.
6. L'utilisation d'un pare-feu à l'extrémité de la cheminée requiert une inspection régulière afin de garantir qu'il n'est pas obstrué, bloquant donc le tirage et devra être nettoyé lorsqu'il est utilisé régulièrement.

INSTALLATION

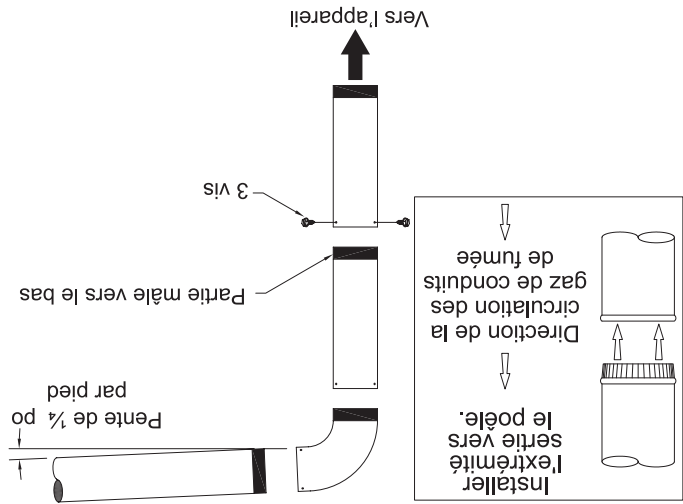
Votre poêle à bois peut être raccordé à une cheminée préfabriquée de 6 po ou en maçonnerie. Si vous utilisez une cheminée préfabriquée, elle doit être conforme à la norme UL 103 ou CSA-B365; il doit donc s'agir d'un type HT (2100 ° F). Il doit être installé conformément aux spécifications du fabricant. Tenez compte de l'emplacement de la cheminée pour vous assurer qu'elle n'est pas trop près des voisins ou dans une vallée, ce qui peut causer des conditions insalubres ou nuisibles. Si vous utilisez une cheminée en maçonnerie, elle doit être construite conformément aux spécifications du Code national du bâtiment. Il doit être recouvert de briques d'argile réfractaire, de tuiles métalliques ou d'argile scellées avec du ciment réfractaire. Les conduits ronds sont les plus efficaces. Le diamètre intérieur du conduit de cheminée doit être identique à celui de l'évacuation des fumées du poêle. Un conduit trop petit peut poser des problèmes de tirage, tandis qu'un gros conduit favorise un refroidissement rapide de gaz, et donc l'accumulation de créosote et le risque d'incendies de cheminée. Notez que c'est la cheminée et non le poêle qui crée l'effet de tirage; la performance de votre poêle dépend directement d'un tirage adéquat de votre cheminée. **Ne raccordez pas cet appareil à un conduit de cheminée desservant un autre appareil.** Les recommandations suivantes peuvent être utiles pour l'installation de votre cheminée: 1. Ne connectez pas cette unité à un carneau de cheminée utilisé par un autre appareil.



CHEMINÉE

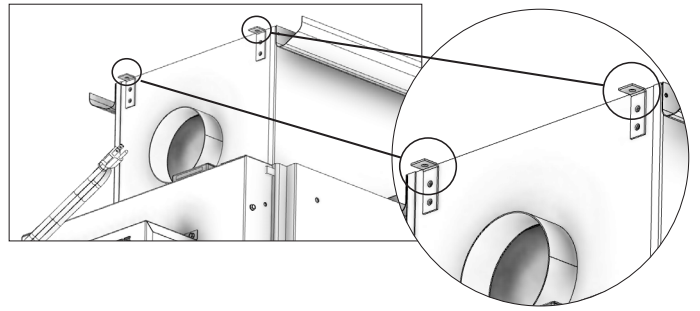
IMPORTANT D'UN TIRAGE ADEQUAT
Le tirage est une force déplaçant l'air de l'appareil vers la cheminée. La quantité de tirage dans votre cheminée dépend de la longueur de la cheminée, son emplacement géographique local, les obstructions à proximité et d'autres facteurs. Trop de tirage peut causer des températures excessives dans l'appareil et pourrait retourner de fumée dans la pièce et causer l'obturation de la cheminée. Un tirage inadéquat peut causer des retours de fumée dans la pièce et causer l'obturation de la cheminée. Un tirage inadéquat causera des fuites de fumée par l'appareil dans la pièce, s'infiltrant par l'appareil, et les joints de raccordement. Un brûlage incontrôlable ou une température excessive indique un tirage excessif.

Le raccord de cheminée et la cheminée doivent avoir le même diamètre que la sortie du poêle (6"). Si ce n'est pas le cas, nous vous recommandons de contacter votre revendeur pour vous assurer qu'il n'y aura pas de problème avec le tirage. Le tuyau de poêle doit être en acier aluminisé ou laminé à froid et avoir une épaisseur minimale de 0,021 po ou 0,53 mm. Il est strictement interdit d'utiliser de l'acier galvanisé. Le tuyau de fumée doit être assemblé pour favoriser la section mâle (extrémité sertie) du tuyau à être tournée vers le bas. Fixez chaque section à une autre avec trois vis métalliques espacées d'une distance égale. Le tuyau doit être court et droit. Toutes les sections installées horizontalement doivent être inclinées d'au moins 1/4 de pouce par pied, avec l'extrémité supérieure de la section vers la cheminée. Toute installation avec un tuyau de cheminée horizontal doit être conforme à la norme NFPA 211. Pour assurer un bon tirage, la longueur totale du tuyau de couplage ne doit jamais dépasser 8 pi à 10 pi (2,4 m à 3,04 m). Sauf pour les cas d'installation verticale, dans un style toit cathédrale où le système d'évacuation des fumées peut être beaucoup plus long et raccordé sans problème à la cheminée au plafond de la pièce. Il ne devrait jamais y avoir plus de deux coudes à 90 degrés dans le système d'évacuation des fumées. L'installation d'un « stabilisateur de tirage barométrique » (registre de cheminée) sur un système d'évacuation des fumées est interdite. De plus, l'installation d'un registre de tirage n'est pas recommandée. Avec un poêle à bois à combustion contrôlée, le tirage est régulé à l'entrée de l'air de combustion dans le poêle et non à l'échappement.



RACCORD DE CHEMINÉE (TUYAU PLISSE)

En plus des exigences d'installation précédemment détaillées, le radiateur doit être mis à la terre électriquement au châssis en acier de la maison mobile avec un fil de cuivre 8 GA à l'aide d'une rondelle dentelée ou en étoile pour pénétrer la peinture ou le revêtement de protection pour assurer la mise à la terre.



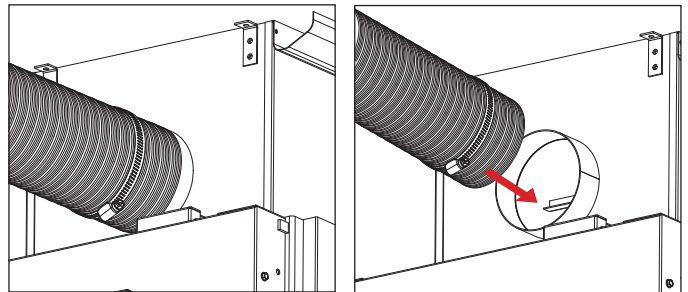
Utilisez les trous désignés pour fixer l'unité au sol.

FIXEZ L'APPAREIL AU SOL

POUR UTILISATION DANS DES MAISONS MOBILES «INSTALLATIONS AUX E.-U. UNIQUEMENT»:

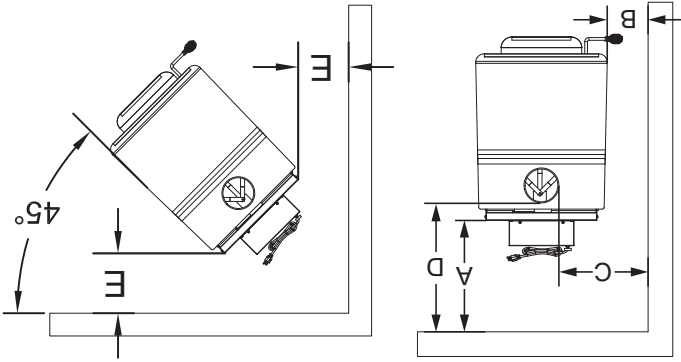
- ATTENTION! NE PAS INSTALLER DANS LA CHAMBRE À COUCHER.
- MISE EN GARDE! L'INTÉGRITÉ STRUCTURELLE DU PLANCHER, DU MUR ET DU PLAFOND / DU TOIT DE LA MAISON MOBILE DOIT ÊTRE MAINTENUE.
- INSTALLER CONFORMÈMENT AU 24 CFR, PARTIE 3280 «HUD».
- UTILISEZ UNE CHEMINÉE FABRIQUÉE EN USINE ET CONFORME AUX NORMES UL 103. CELA DOIT DONC ÊTRE UN TYPE HT «2100°F».
- UTILISEZ UN AGRESSEUR À ÉTINCELLES
- LE POÊLE DOIT ÊTRE FIXÉ À LA STRUCTURE DE LA MAISON MOBILE. UTILISEZ LES DEUX «2» TROUS AU FOND DU PIÉDESTAL DE LA RADIATEUR POUR FIXER L'APPAREIL AU SOL.

Faites glisser le collier de serrage sur le tuyau flexible en aluminium. Ensuite, glissez le tuyau flexible sur le tube d'admission d'air du poêle. Serrez ensuite le collier de serrage sur l'extrémité du tuyau flexible en aluminium.



5. Il y a une condensation excessive sur les vitres en hiver.
6. Un système de ventilation est installé dans la maison.

- Un conduit de fumée traversant un mur combustible doit avoir un dégagement minimum de 18 po (458 mm).
- Pour réduire les dégagements du conduit de fumée par rapport aux matériaux combustibles, contactez votre service de sécurité local.



A	Mur arrière au poêle	17 po	432 mm
B	Paroi latérale au poêle	26 po	661 mm
C	Fianc à conduit	35 po	889 mm
D	Mur arrière à la cheminée	19 po	483 mm
E	Mur à coin (installation en angle)	18 po	458 mm

AIR DE COMBUSTION EXTÉRIEUR

Votre poêle à bois est approuvé pour être installé avec une entrée d'air extérieur «4FAK» nécessaire pour une maison mobile. Ce type d'installation est également requis dans les maisons étanches et les maisons ayant des problèmes de pression négative. Vous pouvez acheter cette option auprès de votre vendeur d'appareils de chauffage. Assurez-vous d'indiquer le numéro de pièce mentionné dans ce livret. Les instructions relatives à l'installation sont fournies avec le kit d'admission d'air. L'air de combustion extérieur peut être requis si:

1. Votre poêle n'aspire pas de façon continue, une dispersion des fumées a lieu, le bois brûle mal, ou des contre-explosions se produisent qu'il y ait ou non des matériaux combustibles.
2. Les appareils à foyer existants au sein du domicile, tels que des cheminées ou d'autres appareils de chauffage, émettent des odeurs, ne fonctionnent pas correctement, émettent des fumées lorsqu'ils sont ouverts ou des contre-explosions se produisent qu'il y ait ou non des matériaux combustibles.
3. Ouvrir légèrement une fenêtre lors d'un jour calme «sans vent» réduit les symptômes ci-dessus.
4. La maison est équipée d'un pare-vapeur parfaitement étanche et de fenêtres bien ajustées et/ou dispose d'appareils électriques qui expulsent l'air de la maison.

DÉGAGEMENTS AUX COMBUSTIBLES

Il est de la plus haute importance que les dégagements aux matériaux combustibles soient strictement respectés lors de l'installation du poêle.

- La hauteur du sol au plafond doit être d'au moins 7 pi (2,13 m) dans tous les cas.
- Ne placez aucun matériau combustible à moins de 4 pi (1,2 m) de l'avant de l'appareil.

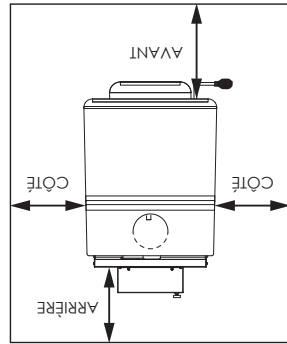
Le jeu entre le conduit de fumée et un mur n'est valable que pour les murs verticaux et pour le conduit de fumée vertical.

- S'il y a un tuyau horizontal de conduit de fumée, il doit y avoir au moins 18 po de dégagement entre le tuyau et le plafond. Il doit également y avoir une protection de plancher sous le conduit horizontal qui s'étend de 2 po au-delà de chaque côté du conduit de fumée.

Le raccord de cheminée ne doit pas traverser un grenier ou un espace sur le toit, un placard ou un espace dissimulé similaire, un plancher ou un plafond.

- Pour les installations canadiennes, où le passage à travers un mur ou une cloison de construction combustible est souhaité, l'installation doit être conforme à la norme CAN / CSA-B365.

Avant	18 po	458 mm
Arrière	8 po	204 mm
Côtés	8 po	204 mm

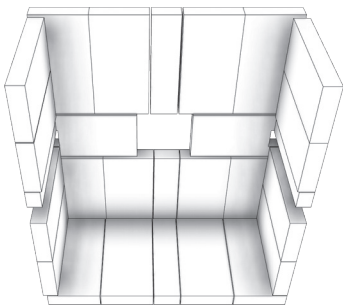


Cet appareil de chauffage doit avoir un protecteur de sol incombustible avec une valeur R d'au moins 1,2 installée en dessous de celui-ci si le sol est construit en matériau combustible. Si un tampon de sol est utilisé, il doit être répertorié UL ou équivalent. Le protecteur de sol doit être suffisamment grand pour s'étendre sous le poêle et au-delà de chaque côté, comme indiqué. S'il y a un conduit de cheminée horizontal, il doit y avoir une protection du plancher dessous qui s'étend de deux pouces au-delà de chaque côté du tuyau.

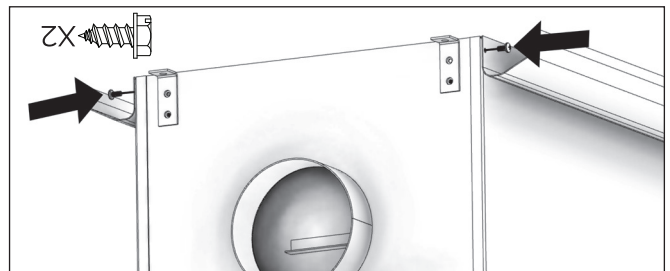
PROTECTEUR DE SOL

CONFIGURATION DE BRIQUES RÉFRACTAIRES

Remploiez la brique réfractaire comme indiqué sur l'illustration.



INSTALLATION



AVIS DE SÉCURITÉ:

- L'INSTALLATION INCORRECTE DE CE POÊLE POURRAIT ENTRAÎNER L'INCENDIE DU DOMICILE. AFIN DE RÉDUIRE LE RISQUE D'INCENDIE, RESPECTEZ LES INSTRUCTIONS D'INSTALLATION. NE PAS RESPECTER LES INSTRUCTIONS PEUT ENTRAÎNER DES DOMMAGES MATÉRIELS, DES BLESSURES PERSONNELLES VOIRE LA MORT !

- CONSULTEZ LES FONCTIONNAIRES MUNICIPAUX DE CONSTRUCTION OU DE LUTTE CONTRE LES INCENDIES AFIN DE CONNAÎTRE LES LIMITATIONS ET LES EXIGENCES D'INSTALLATION DE VOTRE RÉGION.
- UTILISEZ DES DÉTECTEURS DE FUMÉE DANS LA PIÈCE DANS LAQUELLE LE POÊLE EST INSTALLÉ. MAINTENEZ LE MOBILIER ET LES RIDEAUX ÉLOIGNÉS DU POÊLE.

- N'UTILISEZ PAS D'ESSENCE, DE COMBUSTIBLE POUR LANTERNE À ESSENCE, DE KÉROSENE, DE LIQUIDE D'ALLUMAGE DE CHARBON OU DE LIQUIDES SIMILAIRES POUR DÉMARRER OU « RAVIVER » UN FEU DANS CE POÊLE. MAINTENEZ TOUS CES LIQUIDES ÉLOIGNÉS DU POÊLE.

- EN CAS D'INCENDIE DE CHEMINÉE, FERMEZ COMPLÈTEMENT LA COMMANDE D'AIR AFIN DE PRIVIER LE FEU D'OXYGÈNE. APPELEZ LES POMPIERS.

- NE CONNECTEZ PAS LE POÊLE À UN CONDUIT OU CIRCUIT DE DISTRIBUTION D'AIR.
- UNE SOURCE D'AIR FRAIS DANS LA PIÈCE OU L'ESPACE CHAUFFÉ DE VRA ÉTRE FOURNIE SI NÉCESSAIRE.

POSITIONNEMENT DU POÊLE

Il est très important de positionner le poêle à bois le plus près possible de la cheminée, et dans un endroit qui favorisera la distribution de chaleur la plus efficace possible dans toute la maison. Le poêle doit donc être installé dans la pièce où est passé le plus de temps, et dans la pièce la plus spacieuse possible. Rappelez-vous que les poêles à bois produisent de la chaleur rayonnante, la chaleur que nous ressentons lorsque nous sommes à proximité d'un poêle à bois. Un poêle à bois fonctionne également par convection, c'est-à-dire par le déplacement de l'air chaud accéléré vers le haut et son remplacement par de l'air plus frais. Si nécessaire, la distribution d'air chaud du poêle peut être facilitée par l'installation d'un ventilateur. Le poêle à bois ne doit pas être raccordé à un système de distribution d'air chaud car une accumulation excessive de chaleur peut se produire. Un poêle à bois ne doit jamais être installé dans un couloir ou à proximité d'un escalier, car il peut bloquer le passage en cas d'incendie ou ne pas respecter les engagements requis.

US Stove recommande fortement que votre poêle soit installé par un technicien qualifié NFI (US) ou WETT (Canada). Pour trouver l'installateur qualifié le plus proche, accédez à : <https://nfi-certified.org> or <https://www.wettinc.ca>

NATIONAL FIREPLACE INSTITUTE

CERTIFIED

Wood Energy Technical Training (WETT).
www.nfi-certified.org

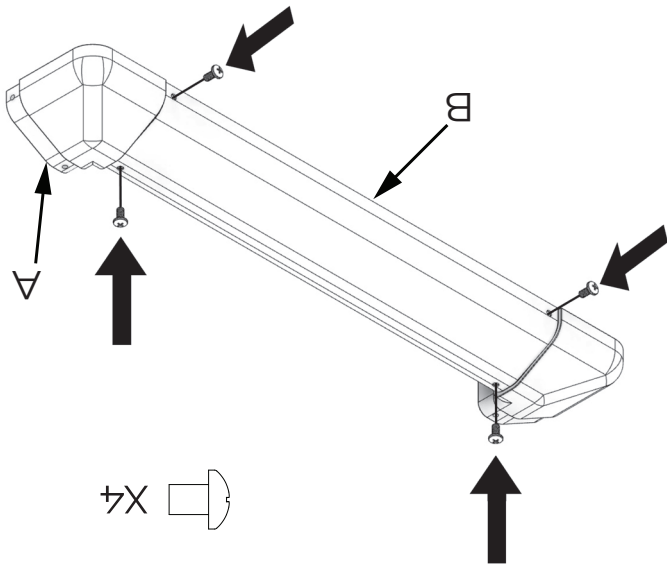
We recommend that our woodburning hearth products be installed and serviced by professionals who are certified in the U.S. as NFI Woodburning Specialists or who are certified in Canada by Wood Energy Technical Training (WETT).

Wood Energy Technical Training
www.wettinc.ca

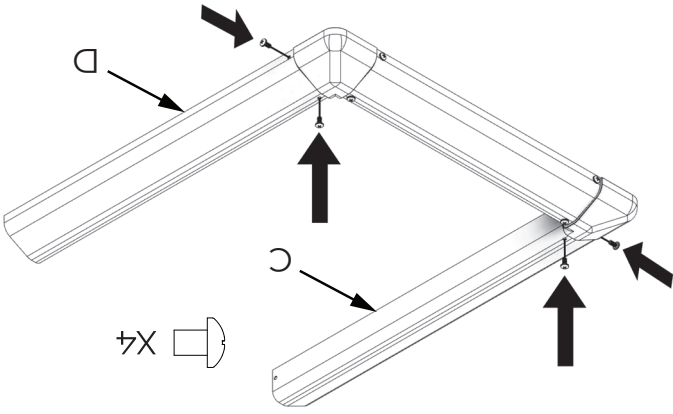
POUR L'ASSISTANCE TECHNIQUE, APPELEZ: 800-750-2723 EXT 5050

ENSEMBLE DE BASE DE PIÉDESTAL

1. Assemblez la plinthe de la base du socle. Fixez deux pièces d'angle (A) à la section centrale (B) de la plinthe et fixez-les avec quatre (4) vis à tête bombée.



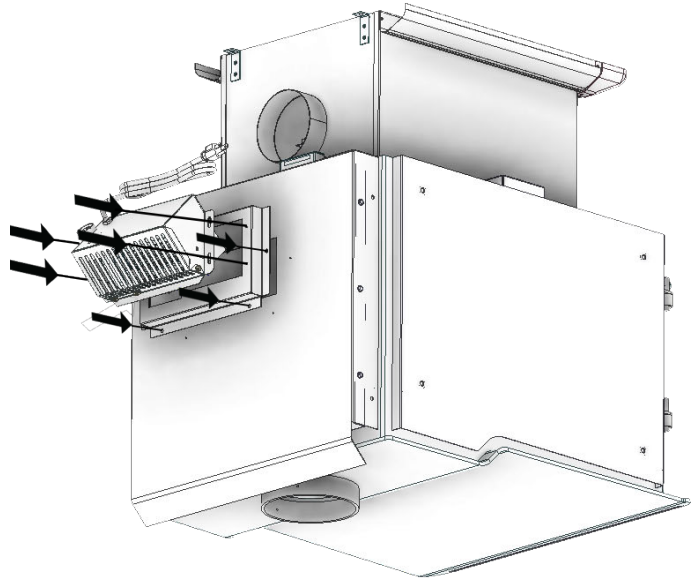
2. Fixez les plinthes latérales (C et D) aux pièces d'angle et fixez-les avec quatre (4) vis à tête bombée.



3. Glissez l'ensemble de plinthe en U autour de la base du socle et fixez-le avec deux vis à tête cylindrique large de 1/4 po aux coins arrière.

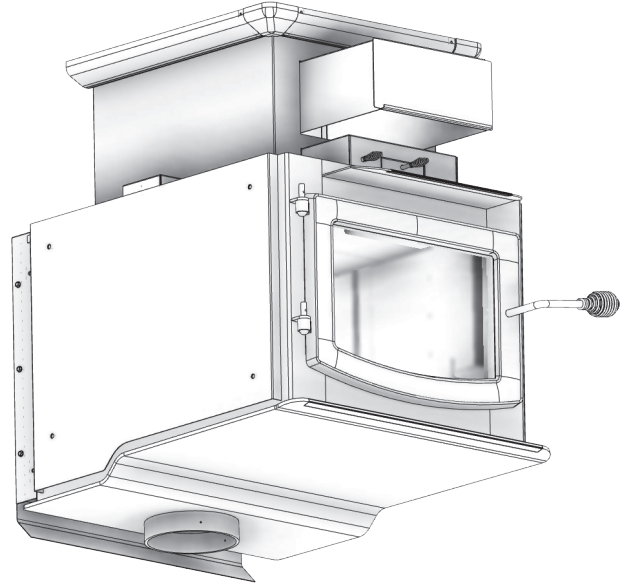
ENSEMBLE DE VENTILATEUR
L'ensemble ventilateur doit être déconnecté de la source d'alimentation électrique avant de tenter l'installation. L'ensemble souffleur est destiné à être utilisé uniquement avec un poêle qui est marqué pour indiquer une telle utilisation. Ne faites pas passer le cordon d'alimentation à proximité ou sur des surfaces chaudes! Fixez l'ensemble à l'arrière du poêle avec les huit vis fournies.

REMARQUE: Le support du ventilateur est inclus dans le cas où un ventilateur est demandé pour cette unité.



CENDRIER

Le cendrier est situé sous le foyer.



Les instructions relatives à l'installation de votre poêle à bois sont conformes aux normes UL-1482 (R2015) et UL-C-5627. Ce manuel décrit l'installation et le fonctionnement du poêle à bois Ashley, AW3200E. Cet appareil de chauffage respecte les limites d'émission de bois de construction de 2020 de la US Environmental Protection Agency pour les appareils de chauffage au bois vendus après le 15 mai 2020. Dans des conditions de test spécifiques, il a été démontré que cet appareil de chauffage fournit de la chaleur à des taux allant de 19 778 à 67 992 Btu / h avec 1,3 g / h et 71% d'efficacité. Remarque: Les cotes BTU mentionnées ci-dessus sont basées sur le protocole de test EPA dans des conditions de test spécifiques. Nos BTU annoncés sont basés sur la première heure de fonctionnement à un taux de combustion élevé brûlant du bois de corde.

Combustible:	Bois	
Couleurs:	Noir	
Diamètre du tuyau de carneau:	6 po (153 mm)	
Type du tuyau de carneau:	Acier noir ou bronze 2100°F (650°C)	
Hauteur minimale de la cheminée:	12 pi (3,7 m)	
Longueur maximale des bûches:	18 po (458 mm)	
Électrique:	120VAC, 0,55A, 60HZ	
Dimensions	Profondeur	Largeur
Général: Profondeur x Largeur x Hauteur:	39 po (995 mm)	24 po (612 mm)
Chambre de combustion: Largeur x Profondeur:	18-5/16 po X 22-1/4 po (466 mm X 565 mm)	
Ouverture de la porte: Largeur x Hauteur:	14-3/4 po X 9-7/16 po (375 mm X 241 mm)	
Porte en verre pyrocéramique: (Visualisation)	14-9/16 po X 9-5/16 po (369 mm X 237 mm)	

AVERTISSEMENTS:

- **CHAUD DURANT LE FONCTIONNEMENT. MAINTENEZ LES ENFANTS, LES VÊTEMENTS ET LE MOBILIER ÉLOIGNÉS. TOUT CONTACT PEUT ENTRAÎNER DES BRÛLURES.**
- **N'UTILISEZ PAS DE PRODUITS CHIMIQUES NI DE FLUIDES POUR DÉMARRER LE FEU.**
- **NE LAISSEZ PAS LE POÊLE SANS SURVEILLANCE LORSQUE LA PORTE EST LÉGÈREMENT OUVERTE.**
- **NE BRÛLEZ PAS DE DÉCHETS NI DE FLUIDES INFLAMMABLES TELS QUE L'ESSENCE, LE NAPHTHA OU L'HUILE POUR MOTEUR.**
- **NE CONNECTEZ PAS LE POÊLE À UN CONDUIT OU CIRCUIT DE DISTRIBUTION D'AIR.**
- **FERMEZ TOUJOURS LA PORTE APRÈS L'ALLUMAGE.**



Remarque: enregistrez votre produit en ligne sur www.usstove.com ou téléchargez l'application gratuite dès aujourd'hui. Cette application est disponible uniquement sur l'App Store pour iPhone et iPad. Recherchez US Stove. Conservez votre reçu avec vos dossiers pour toute réclamation.

Pour le service client, veuillez appeler: 1-800-750-2723 poste 5050 ou; Texte au 423-301-5624 ou; Écrivez-nous à: customerservice@usstove.com

Manuel D'Instructions et D'Utilisation Du Propriétaire

Ashley
America's Hearth Since 1905

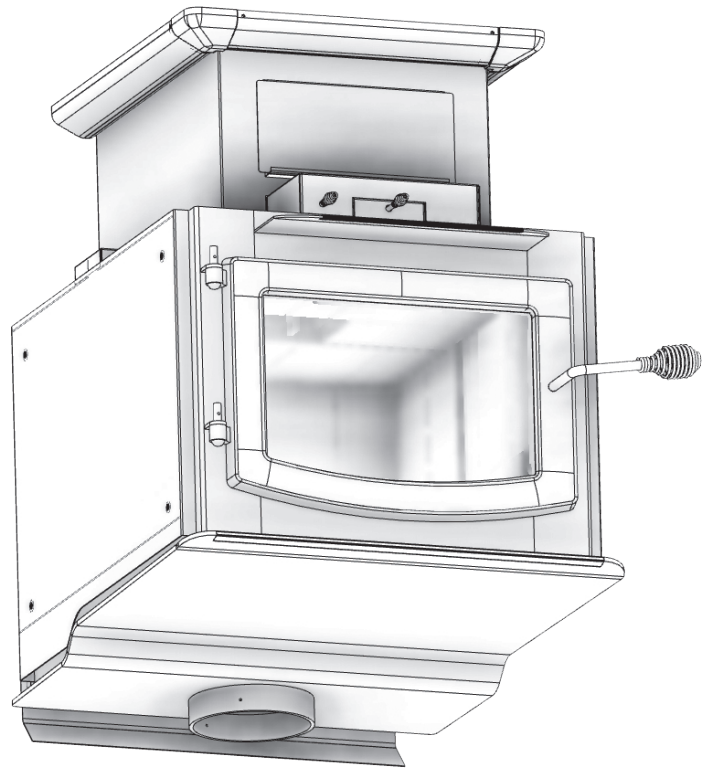
Numéro De Modèle:

AW3200E-P



Rapport #: F20-586

Testé selon les méthodes EPA ALT-125, ASTM E2515, ASTM E3053 et CSA B415
Certifié UL 1482-2011 (R2015) et ULC-S627-00 (R2016)
Approuvé pour l'installation de maisons mobiles aux (USA UNIQUEMENT)



* Toutes les images de ce manuel sont à des fins d'illustration uniquement. Le produit réel peut varier.

Conservez ces instructions dans un endroit sûr pour référence ultérieure.



AVIS DE SÉCURITÉ: Si ce radiateur n'est pas correctement installé, un incendie peut en résulter. Pour votre sécurité, suivez les instructions d'installation. N'utilisez jamais de compromis de fortune lors de l'installation de ce radiateur. Contactez les responsables locaux du bâtiment ou des pompiers pour connaître les permis, les restrictions et les exigences d'installation dans votre région. NE JAMAIS UTILISER CE PRODUIT SANS SURVEILLANCE.



MISE EN GARDE! Veuillez lire l'intégralité de ce manuel avant d'installer ou d'utiliser votre nouveau radiateur. Le non-respect des instructions peut entraîner des dommages matériels, des blessures corporelles ou même la mort. Une installation incorrecte pourrait annuler votre garantie!

AGENCE AMÉRICAINE DE PROTECTION

DE L'ENVIRONNEMENT

Certifié conforme aux normes d'émissions de particules 2020.

CE MANUEL EST SUJET À MODIFICATION SANS PRÉAVIS.

AVERTISSEMENT SUR LA PROPOSITION 65 DE LA CALIFORNIE:
Ce produit peut vous exposer à des produits chimiques, y compris le monoxyde de carbone, qui est connu dans l'État de Californie pour provoquer le cancer, des anomalies congénitales et / ou d'autres troubles de la reproduction. Pour plus d'informations, visitez www.P65warnings.ca.gov

Owner's Instruction and Operation Manual



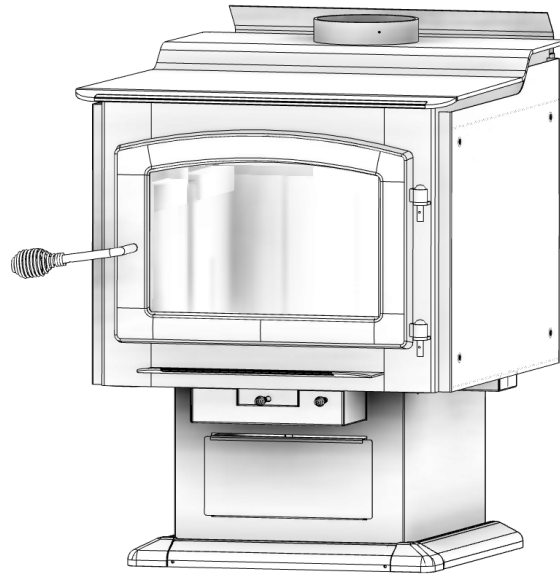
Model Number:

KW3200-P



Report Number: F20-586

Tested Per EPA Methods ALT-125, ASTM E2515, ASTM E3053 and CSA B415 Certified to UL 1482-2022, CAN/ULC S627:2023
Approved for mobile home/portable building installation



* All Pictures In This Manual Are For Illustrative Purposes Only. Actual Product May Vary.

KG-0502N

Save These Instructions In A Safe Place For Future Reference.



SAFETY NOTICE: If this heater is not properly installed, a house fire may result. For your safety, follow the installation instructions. Never use make-shift compromises during the installation of this heater. Contact local building or fire officials about permits, restrictions and installation requirements in your area. **NEVER OPERATE THIS PRODUCT WHILE UNATTENDED.**



CAUTION! Please read this entire manual before you install or use your new room heater. Failure to follow instructions may result in property damage, bodily injury, or even death. Improper Installation Will Void Your Warranty!

U.S. Environmental Protection Agency

Certified to comply with 2020 particulate emissions standards.



CALIFORNIA PROPOSITION 65 WARNING:

This product can expose you to chemicals including carbon monoxide, which is known to the State of California to cause cancer, birth defects, and/or other reproductive harm. For more information, go to www.P65warnings.ca.gov

THIS MANUAL IS SUBJECT TO CHANGE WITHOUT NOTICE.

Manuel d'instructions et d'utilisation du propriétaire



Numéro De Modèle:

KW3200-P

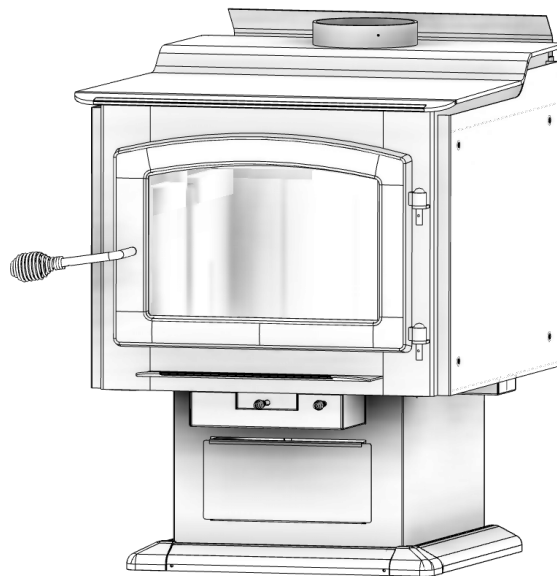


Numéro du rapport: F20-586

Testé selon les méthodes EPA ALT-125, ASTM E2515, ASTM E3053 et CSA B415

Certifié UL 1482-2022, CAN/ULC S627:2023

Approuvé pour l'installation de maisons mobiles/
bâtiments portatifs



* Toutes les images de ce manuel sont à des fins d'illustration uniquement. Le produit réel peut varier.

Conservez ces instructions dans un endroit sûr pour référence ultérieure.



AVIS DE SÉCURITÉ: Si ce radiateur n'est pas correctement installé, un incendie peut en résulter. Pour votre sécurité, suivez les instructions d'installation. N'utilisez jamais de compromis de fortune lors de l'installation de ce radiateur. Contactez les responsables locaux du bâtiment ou des pompiers pour connaître les permis, les restrictions et les exigences d'installation dans votre région. **NE JAMAIS UTILISER CE PRODUIT SANS SURVEILLANCE.**



MISE EN GARDE! Veuillez lire l'intégralité de ce manuel avant d'installer ou d'utiliser votre nouveau radiateur. Le non-respect des instructions peut entraîner des dommages matériels, des blessures corporelles ou même la mort. Une installation incorrecte pourrait annuler votre garantie!

**AGENCE AMÉRICAINE DE PROTECTION DE
L'ENVIRONNEMENT**

Certifié conforme aux normes d'émissions
de particules 2020.



**AVERTISSEMENT SUR LA PROPOSITION 65 DE LA
CALIFORNIE:**

Ce produit peut vous exposer à des produits chimiques, y compris le monoxyde de carbone, qui est connu dans l'État de Californie pour provoquer le cancer, des anomalies congénitales et / ou d'autres troubles de la reproduction. Pour plus d'informations, visitez www.P65warnings.ca.gov

CE MANUEL EST SUJET À MODIFICATION SANS PRÉAVIS.

Owner's Instruction and Operation Manual

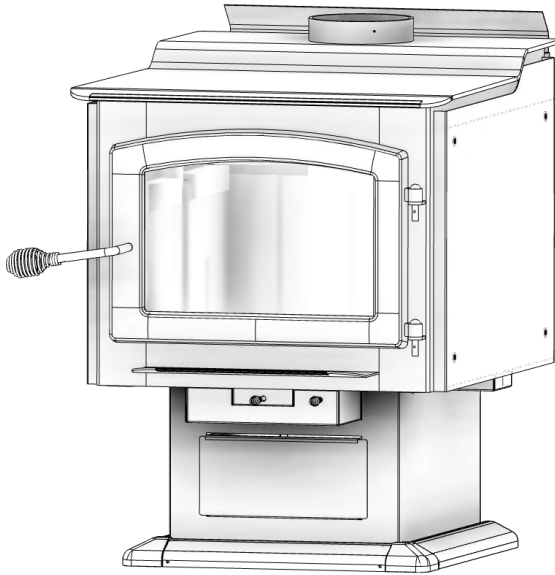
Comfort Glow[®]

Model Number:
CGWS3500



Report Number: F20-586

Tested Per EPA Methods ALT-125, ASTM E2515, ASTM E3053 and CSA B415 Certified to UL 1482-2022, CAN/ULC S627:2023
Approved for mobile home/transportable building installation



* All Pictures In This Manual Are For Illustrative Purposes Only. Actual Product May Vary.

CG-0502N

Save These Instructions In A Safe Place For Future Reference.



SAFETY NOTICE: If this heater is not properly installed, a house fire may result. For your safety, follow the installation instructions. Never use make-shift compromises during the installation of this heater. Contact local building or fire officials about permits, restrictions and installation requirements in your area. **NEVER OPERATE THIS PRODUCT WHILE UNATTENDED.**



CAUTION! Please read this entire manual before you install or use your new room heater. Failure to follow instructions may result in property damage, bodily injury, or even death. Improper Installation Will Void Your Warranty!

U.S. Environmental Protection Agency

Certified to comply with 2020 particulate emissions standards.



CALIFORNIA PROPOSITION 65 WARNING:

This product can expose you to chemicals including carbon monoxide, which is known to the State of California to cause cancer, birth defects, and/or other reproductive harm. For more information, go to www.P65warnings.ca.gov

THIS MANUAL IS SUBJECT TO CHANGE WITHOUT NOTICE.

Manuel d'instructions et d'utilisation du propriétaire

Comfort Glow[®]

Numéro De Modèle:

CGWS3500

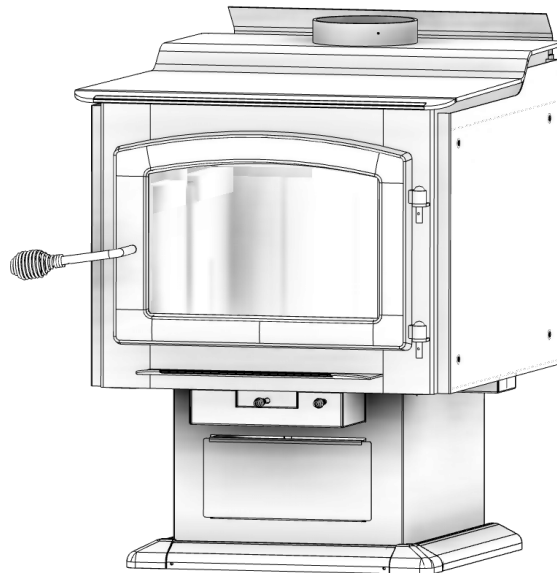


Numéro du rapport: F20-586

Testé selon les méthodes EPA ALT-125, ASTM E2515, ASTM E3053 et CSA B415

Certifié UL 1482-2022, CAN/ULC S627:2023

Approuvé pour l'installation de maisons mobiles/
bâtiments portatifs



* Toutes les images de ce manuel sont à des fins d'illustration uniquement. Le produit réel peut varier.

Conservez ces instructions dans un endroit sûr pour référence ultérieure.



AVIS DE SÉCURITÉ: Si ce radiateur n'est pas correctement installé, un incendie peut en résulter. Pour votre sécurité, suivez les instructions d'installation. N'utilisez jamais de compromis de fortune lors de l'installation de ce radiateur. Contactez les responsables locaux du bâtiment ou des pompiers pour connaître les permis, les restrictions et les exigences d'installation dans votre région. **NE JAMAIS UTILISER CE PRODUIT SANS SURVEILLANCE.**



MISE EN GARDE! Veuillez lire l'intégralité de ce manuel avant d'installer ou d'utiliser votre nouveau radiateur. Le non-respect des instructions peut entraîner des dommages matériels, des blessures corporelles ou même la mort. Une installation incorrecte pourrait annuler votre garantie!

**AGENCE AMÉRICAINE DE PROTECTION DE
L'ENVIRONNEMENT**

Certifié conforme aux normes d'émissions
de particules 2020.



**AVERTISSEMENT SUR LA PROPOSITION 65 DE LA
CALIFORNIE:**

Ce produit peut vous exposer à des produits chimiques, y compris le monoxyde de carbone, qui est connu dans l'État de Californie pour provoquer le cancer, des anomalies congénitales et / ou d'autres troubles de la reproduction. Pour plus d'informations, visitez www.P65warnings.ca.gov

CE MANUEL EST SUJET À MODIFICATION SANS PRÉAVIS.

Owner's Instruction and Operation Manual



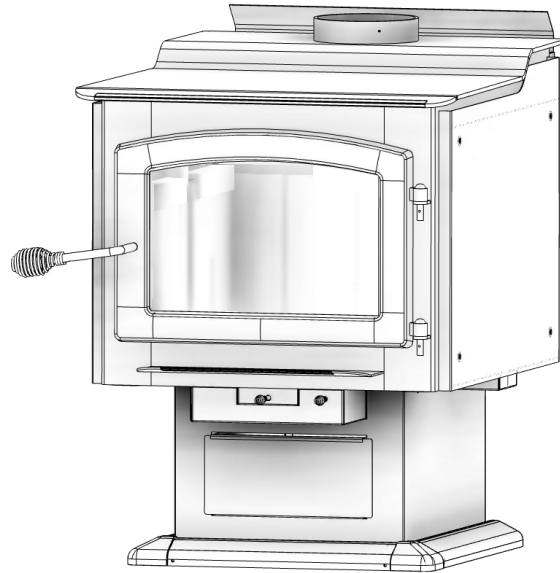
Model Number:
DHWS3500



Report Number: F20-586

Tested Per EPA Methods ALT-125, ASTM E2515, ASTM E3053 and CSA B415 Certified to UL 1482-2022, CAN/ULC S627:2023

Approved for mobile home/portable building installation



* All Pictures In This Manual Are For Illustrative Purposes Only. Actual Product May Vary.

DH-0502N

Save These Instructions In A Safe Place For Future Reference.



SAFETY NOTICE: If this heater is not properly installed, a house fire may result. For your safety, follow the installation instructions. Never use make-shift compromises during the installation of this heater. Contact local building or fire officials about permits, restrictions and installation requirements in your area. **NEVER OPERATE THIS PRODUCT WHILE UNATTENDED.**



CAUTION! Please read this entire manual before you install or use your new room heater. Failure to follow instructions may result in property damage, bodily injury, or even death. Improper Installation Will Void Your Warranty!

U.S. Environmental Protection Agency

Certified to comply with 2020 particulate emissions standards.



CALIFORNIA PROPOSITION 65 WARNING:

This product can expose you to chemicals including carbon monoxide, which is known to the State of California to cause cancer, birth defects, and/or other reproductive harm. For more information, go to www.P65warnings.ca.gov

THIS MANUAL IS SUBJECT TO CHANGE WITHOUT NOTICE.

Manuel d'instructions et d'utilisation du propriétaire



Numéro De Modèle:

DHWS3500

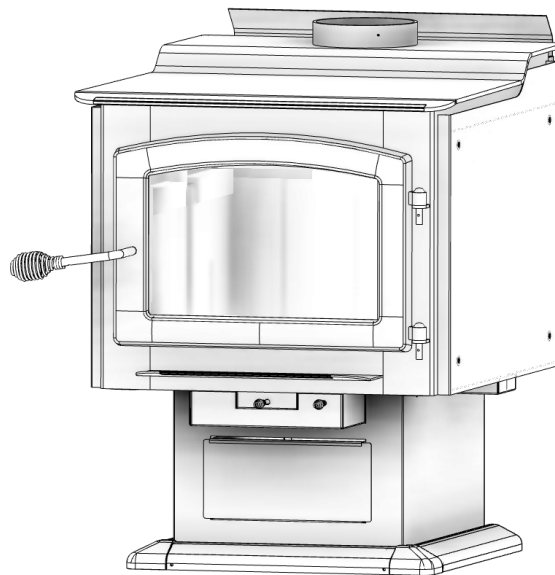


Numéro du rapport: F20-586

Testé selon les méthodes EPA ALT-125, ASTM E2515, ASTM E3053 et CSA B415

Certifié UL 1482-2022, CAN/ULC S627:2023

Approuvé pour l'installation de maisons mobiles/
bâtiments portatifs



* Toutes les images de ce manuel sont à des fins d'illustration uniquement. Le produit réel peut varier.

Conservez ces instructions dans un endroit sûr pour référence ultérieure.



AVIS DE SÉCURITÉ: Si ce radiateur n'est pas correctement installé, un incendie peut en résulter. Pour votre sécurité, suivez les instructions d'installation. N'utilisez jamais de compromis de fortune lors de l'installation de ce radiateur. Contactez les responsables locaux du bâtiment ou des pompiers pour connaître les permis, les restrictions et les exigences d'installation dans votre région. **NE JAMAIS UTILISER CE PRODUIT SANS SURVEILLANCE.**



MISE EN GARDE! Veuillez lire l'intégralité de ce manuel avant d'installer ou d'utiliser votre nouveau radiateur. Le non-respect des instructions peut entraîner des dommages matériels, des blessures corporelles ou même la mort. Une installation incorrecte pourrait annuler votre garantie!

**AGENCE AMÉRICAINE DE PROTECTION DE
L'ENVIRONNEMENT**

Certifié conforme aux normes d'émissions
de particules 2020.



**AVERTISSEMENT SUR LA PROPOSITION 65 DE LA
CALIFORNIE:**

Ce produit peut vous exposer à des produits chimiques, y compris le monoxyde de carbone, qui est connu dans l'État de Californie pour provoquer le cancer, des anomalies congénitales et / ou d'autres troubles de la reproduction. Pour plus d'informations, visitez www.P65warnings.ca.gov

CE MANUEL EST SUJET À MODIFICATION SANS PRÉAVIS.

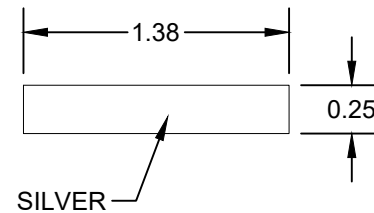
LABELING VENDOR NOTES:

MATERIAL: 0.012 THK. ALUMINUM / 3M 9672 ADEHESIVE BACKED.

FINISH: BLACK BACKGROUND, SILVER ALL TEXT AND ILLUSTRATIONS) UNLESS NOTED OTHERWISE.

TEXT: ALL TEXT TO BE 0.06 HIGH UNLESS OTHERWISE SPECIFIED. ALL BOLD TEXT TO BE 0.08 HIGH UNLESS OTHERWISE SPECIFIED

REVISION HISTORY			
REV	DESCRIPTION	DATE	BY
A	INITIAL RELEASE	1/30/24	SEH



1 INCH SQ. BORDER, LOGS AND FLAMES ARE TO BE RED

Model / Modele: CGWS3500

Room Heater, Solid Fuel Type, Also for use in Mobile Homes/Transportable Building.
Appareil de chauffage individuel à combustible solide, pouvant aussi être utilisé dans les maisons mobiles/Bâtiment transportable. Certifié à / Certifié: UL1482-2022, CAN/ULC S627-2023

U.S. ENVIRONMENTAL PROTECTION AGENCY
Certified to comply with 2020 particulate emission standards using cordwood. Tested Per EPA Methods ALT-125, ASTM E2515, ASTM E3053 and CSA B415.1-10 - 1.3 g/hr. 71% Efficiency.

SERIAL NO. / N° de série: []
MFG DATE: []

U.S. Stove Company
227 Industrial Park Road • South
Pittsburgh, TN 37380 •
Phone: (800) 750-2723 •
Web: www.usstove.com

CAUTION: HOT WHILE IN OPERATION-DO NOT TOUCH KEEP CHILDREN AND CLOTHING AWAY-CONTACT MAY CAUSE SKIN BURNS. SEE NAME - PLATE AND INSTRUCTIONS. KEEP FURNISHINGS AND OTHER COMBUSTIBLE MATERIALS A CONSIDERABLE DISTANCE AWAY FROM THE APPLIANCE.

PREVENT HOUSE FIRES: Install and Use Only in Accordance With Manufacturer's Installation and Operating Instructions. Contact Local Building or Fire Officials About Restrictions and Installation Inspection in Your Area. In absence of any local codes, installation must meet minimum requirements of NFPA 211. Suitable for mobile home installation. Outside air combustion system required for mobile home installation. The provided pedestal base must be installed and attached as shown in the installation instructions. This wood heater needs periodic inspection and repair for proper operation. Consult the owner's manual for further information. It is against federal regulations to operate this wood heater in a manner inconsistent with the operating instructions in the owner's manual. **WARNING:** Do not obstruct the space beneath the heater. **CAUTION:** Combustion air openings are not to be obstructed. Not to be installed in a factory built fireplace.

DANGER: Risk of Electrical Shock. Disconnect Power Before Servicing Unit. Route power cord away from unit. Do not route power cord under or in front of appliance. Do Not Obstruct the Space Beneath the Heater. Do Not Use Grate or Elevate Fire- Build Wood Fire Directly on Hearth.

For use with solid wood fuel only. Do not add other fuels. Do not burn garbage or flammable fluids such as gasoline, naphtha, or engine oil. Do Not Connect This Unit to a Chimney Flue Serving Another Appliance. NOTE: Replace glass only with factory supplied ceramic. Operate only with door closed.

ELECTRICAL: 120 VAC, 0.55A, 60Hz - This unit may be used with blower assembly model CB36.

PREVENT CREOSOTE FIRES: Inspect and clean chimney frequently. Under certain conditions of use creosote buildup may occur rapidly. Refer to manufacturer's instructions and local codes for precautions required for passing chimney through a combustible wall or ceiling. Do not run a chimney connector through a combustible wall or ceiling. Chimney must be factory built UL1 03/ULC 629; or masonry, with liner. Flue connector pipe must be 6 inch diameter, minimum 24 MSG Black or 26 MSG Blue Steel. To be installed as a freestanding space heater with the clearances in the manufacturer's installation instructions. Not to be installed in any fireplace.

CAUTION: Fully open combustion air control before opening the fuel feed door.

ATTENTION: CHAUD PENDANT LE FONCTIONNEMENT -NE PAS TOUCHER MAINTENIR LES ENFANTS ET LES VÊTEMENTS ÉLOIGNÉS. TOUT CONTACT PEUT ENTRAÎNER DES BRÛLURES. CONSULTER LA PLAQUE SIGNALÉTIQUE ET LES INSTRUCTIONS. MAINTENIR LE MOBILIER ET LES AUTRES MATIÈRES COMBUSTIBLES À BONNE DISTANCE DE L'APPAREIL.

PRÉVENTION DES INCENDIES DE MAISON: N'installer et n'utiliser que conformément aux instructions d'installation et d'utilisation du fabricant. Prendre contact avec les responsables locaux de construction ou de lutte contre l'incendie au sujet des restrictions à l'installation et des exigences d'inspections chez vous. En l'absence de codes locaux, l'installation doit obligatoirement être conforme aux exigences minimales de la norme NFPA 211. Conçu Pour Maisons Mobiles. En dehors du système de combustion de l'air requis pour l'installation de la maison mobile. Les pieds ou le piédestal fournis doivent obligatoirement être installés et fixés com me indiqué par les instructions d'installation. Pour un fonctionnement correct, consultez le manuel du propriétaire pour plus d'informations. Ce est contre les règlements fédéraux pour faire fonctionner ce poêle à bois d'une manière incompatible avec les instructions d'utilisation dans le manuel du propriétaire. **AVERTISSEMENT :** N'obstruez pas l'espace sous le radiateur. **ATTENTION :** Les ouvertures d'air de combustion ne doivent pas être obstruées. Ne pas installer dans un foyer préfabriqué.

DANGER: Risque de choc électrique. Débrancher l'alimentation avant toute intervention sur l'appareil. Faire passer le cordon d'alimentation à l'écart de l'appareil. Ne pas faire passer le cordon d'alimentation sous l'appareil, ou devant celui-ci. Veuillez à toujours garder la zone derrière l'appareil dégagée. Ne pas utiliser de grille ni surélever le feu- Faire un feu de bois directement sur le foyer.

Uniquement pour une utilisation avec du bois entier. Ne pas ajouter d'autres combustibles. Ne pas brûler de déchets ni de liquides inflammables tels que de l'essence, du naphtha ou de l'huile à moteur. Ne pas raccorder cet appareil à un conduit de cheminée servant à un autre appareil. NOTE : Ne remplacer le verre qu'avec la céramique fournie par l'usine. Ne faire fonctionner qu'avec la porte fermée.

ÉLECTRICITE : 120 VAC, 0.55A, 60Hz - Cet appareil peut être utilisé avec le dispositif de ventilation modèle CB36.

PRÉVENTION DES FEUX DE CRÉOSOTE : Inspecter et ramoner la cheminée fréquemment. Dans certaines conditions d'utilisation, une accumulation de creosote peut survenir rapidement. Consulter les instructions du fabricant et les code locaux pour les précautions nécessaires à prendre pour faire traverser un mur ou un plafond combustible par une cheminée. Ne pas faire traverser un mur ou un plafond combustible par un raccord de cheminée. La cheminée doit obligatoirement être fabriquée en usine conformément à la norme UL103/ULC 629, ou réalisée en maçonnerie avec un doublage. Le tuyau de raccordement au conduit de fumée doit obligatoirement avoir un diamètre de 6 pouces, et au minimum être en acier noir de calibre standard MSG 24 ou bleu de calibre standard 26 MSG. À installer en tant qu'appareil de chauffage autonome avec les dégagements indiqués dans les instructions d'installation du fabricant. Ne pas installer dans une cheminée.

ATTENTION : Ouvrir à fond la commande d'arrivée d'air de combustion avant d'ouvrir la porte de chargement.

CLEARANCE TO COMBUSTIBLE SURFACES / DÉGAGEMENTS PAR RAPPORT AUX SURFACES COMBUSTIBLES

Key	Description	inch/po	mm
Floor Protection Description			
A	Front/ Avant	18	458
B	Back/Arrière	8	204
C	Sides/Côtés	8	204
D	Backwall to Stove/Mur arrière au poêle	17	432
E	Sidewall to Stove/Paroi latérale au poêle	26	61
F	Wall to Corner (Angled Installation)/Mur à coin (installation en angle)	18	458
G	Ceiling Height/Hauteur de plafond	84	2134
H	Backwall to Flue/Paroi arrière à la cheminée	19	483
J	Sidewall to Flue/Fianc à conduit	35	889

This heater must have a non-combustible floor protector with an R-Value of at least 1.2 installed beneath it if the floor is constructed of combustible material. If a floor pad is used, it should be UL listed or equal. The floor protector should be large enough to extend under the stove and beyond each side as indicated. If there is a horizontal run of flue pipe, there needs to be floor protection under it that extends two inches beyond either side of the pipe.

Cet appareil de chauffage doit avoir un protecteur de sol incombustible avec une valeur R d'au moins 1,2 installée en dessous de celui-ci si le sol est construit en matériau combustible. Si un tampon de sol est utilisé, il doit être répertorié UL ou équivalent. Le protecteur de sol doit être suffisamment grand pour s'étendre sous le poêle et au-delà de chaque côté, comme indiqué. S'il y a un conduit de cheminée horizontal, il doit y avoir une protection du plancher dessous qui s'étend de deux pouces au-delà de chaque côté du tuyau.

FLOOR PROTECTOR / PROTECTEUR DE PLANCHER

CLEARANCE TO WALLS / DÉGAGEMENT AUX MURS

CORNER INSTALLATION CLEARANCE TO WALLS & CEILING / DÉGAGEMENT D'INSTALLATION D'ANGLE AUX MURS ET AU PLAFOND

CORNER INSTALLATION CLEARANCE TO WALLS / DÉGAGEMENT D'INSTALLATION D'ANGLE AUX MURS

DO NOT REMOVE OR COVER THIS LABEL / NE PAS RETIRER CETTE ÉTIQUETTE

852200CG

0.25 TEXT HEIGHT

0.125 TEXT HEIGHT

6.25

9.50

<p>© 2010 United States Stove Company</p> <p>ALL RIGHTS RESERVED THE DATA CONTAINED HEREIN IS PROPRIETARY TO U. S. STOVE COMPANY. THIS DATA SHALL NOT BE DUPLICATED, TRANSFERRED, MADE AVAILABLE, OR USED BY ANY THIRD PARTY FOR ANY PURPOSE EXCEPT SPECIFICALLY AUTHORIZED IN WRITING BY U. S. STOVE COMPANY.</p>	<p>TOLERANCES</p> <p>EXCEPT</p> <p>AS</p> <p>NOTED</p>	<p>HOLES</p> <p>± .005"</p> <p>DECIMAL</p> <p>.XX = 0.03 XXX = 0.010</p> <p>ANGULAR</p> <p>± 2°</p>	<p>DESCRIPTION</p> <p>NOTED</p> <p>FINISH</p> <p>NOTED</p> <p>REFERENCE</p> <p>CGWS3500</p>	<p>SCALE</p> <p>1:1</p> <p>OWN BY</p> <p>SEH</p> <p>DATE</p> <p>1/30/24</p>	<p>SIZE</p> <p>B</p> <p>A</p> <p>TITLE</p> <p>CERTIFICATION LABEL</p>	<p>REV</p> <p>A</p>	<p>UNITED STATES STOVE COMPANY</p> <p>ESTABLISHED 1869</p>	<p>NUMBER</p> <p>852200CG</p>	<p>SHEET</p> <p>1 of 1</p>
--	--	---	---	---	---	---------------------	---	-------------------------------	----------------------------

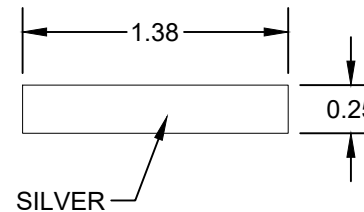
LABELING VENDOR NOTES:

MATERIAL: 0.012 THK. ALUMINUM / 3M 9672 ADEHESIVE BACKED.

FINISH: BLACK BACKGROUND, SILVER ALL TEXT AND ILLUSTRATIONS) UNLESS NOTED OTHERWISE.

TEXT: ALL TEXT TO BE 0.06 HIGH UNLESS OTHERWISE SPECIFIED. ALL BOLD TEXT TO BE 0.08 HIGH UNLESS OTHERWISE SPECIFIED

REVISION HISTORY			
REV	DESCRIPTION	DATE	BY
A	INITIAL RELEASE	1/30/24	SEH



1 INCH SQ. BORDER, LOGS AND FLAMES ARE TO BE RED

Report No. / Rapport N°: F20-586

Model / Modele: DHWS3500

Room Heater, Solid Fuel Type, Also for use in Mobile Homes/Transportable Building.
Appareil de chauffage individuel à combustible solide, pouvant aussi être utilisé dans les maisons mobiles/Bâtiment transportable. Certified to / Certifié: UL1482-2022, CAN/ULC S627-2023

U.S. ENVIRONMENTAL PROTECTION AGENCY
Certified to comply with 2020 particulate emission standards using cordwood. Tested Per EPA Methods ALT-125, ASTM E2515, ASTM E3053 and CSA B415.1-10 - 1.3 g/hr. 71% Efficiency.

SERIAL NO. / N° de série

MFG DATE:

U.S. Stove Company
227 Industrial Park Road • South
Pittsburgh, TN 37380 •
Phone: (800) 750-2723 •
Web: www.usstove.com

CAUTION: HOT WHILE IN OPERATION-DO NOT TOUCH KEEP CHILDREN AND CLOTHING AWAY-CONTACT MAY CAUSE SKIN BURNS. SEE NAME - PLATE AND INSTRUCTIONS. KEEP FURNISHINGS AND OTHER COMBUSTIBLE MATERIALS A CONSIDERABLE DISTANCE AWAY FROM THE APPLIANCE.

PREVENT HOUSE FIRES: Install and Use Only in Accordance With Manufacturer's Installation and Operating Instructions. Contact Local Building or Fire Officials About Restrictions and Installation Inspection in Your Area. In absence of any local codes, installation must meet minimum requirements of NFPA 211. Suitable for mobile home installation. Outside air combustion system required for mobile home installation. The provided pedestal base must be installed and attached as shown in the installation instructions. This wood heater needs periodic inspection and repair for proper operation. Consult the owner's manual for further information. It is against federal regulations to operate this wood heater in a manner inconsistent with the operating instructions in the owner's manual. WARNING: Do not obstruct the space beneath the heater. CAUTION: Combustion air openings are not to be obstructed. Not to be installed in a factory built fireplace.

DANGER: Risk of Electrical Shock. Disconnect Power Before Servicing Unit. Route power cord away from unit. Do not route power cord under or in front of appliance. Do Not Obstruct the Space Beneath the Heater. Do Not Use Grate or Elevate Fire- Build Wood Fire Directly on Hearth.

For use with solid wood fuel only. Do not add other fuels. Do not burn garbage or flammable fluids such as gasoline, naphtha, or engine oil. Do Not Connect This Unit to a Chimney Flue Serving Another Appliance. NOTE: Replace glass only with factory supplied ceramic. Operate only with door closed.

ELECTRICAL: 120 VAC, 0.55A, 60Hz - This unit may be used with blower assembly model CB36.

PREVENT CREOSOTE FIRES: Inspect and clean chimney frequently. Under certain conditions of use creosote buildup may occur rapidly. Refer to manufacturer's instructions and local codes for precautions required for passing chimney through a combustible wall or ceiling. Do not run a chimney connector through a combustible wall or ceiling. Chimney must be factory built UL1 03/ULC 629; or masonry, with liner. Flue connector pipe must be 6 inch diameter, minimum 24 MSG Black or 26 MSG Blue Steel. To be installed as a freestanding space heater with the clearances in the manufacturer's installation instructions. Not to be installed in any fireplace.

CAUTION: Fully open combustion air control before opening the fuel feed door.

ATTENTION: CHAUD PENDANT LE FONCTIONNEMENT -NE PAS TOUCHER MAINTENIR LES ENFANTS ET LES VÊTEMENTS ÉLOIGNÉS. TOUT CONTACT PEUT ENTRAÎNER DES BRÛLURES. CONSULTER LA PLAQUE SIGNALÉTIQUE ET LES INSTRUCTIONS. MAINTENIR LE MOBILIER ET LES AUTRES MATIÈRES COMBUSTIBLES À BONNE DISTANCE DE L'APPAREIL.

PRÉVENTION DES INCENDIES DE MAISON: N'installer et n'utiliser que conformément aux instructions d'installation et d'utilisation du fabricant. Prendre contact avec les responsables locaux de construction ou de lutte contre l'incendie au sujet des restrictions à l'installation et des exigences d'inspections chez vous. En l'absence de codes locaux, l'installation doit obligatoirement être conforme aux exigences minimales de la norme NFPA 211. Conçu Pour Maisons Mobiles. En dehors du système de combustion de l'air requis pour l'installation de la maison mobile. Les pieds ou le piédestal fournis doivent obligatoirement être installés et fixés comme indiqué par les instructions d'installation. Pour un fonctionnement correct, consultez le manuel du propriétaire pour plus d'informations. Ce est contre les règlements fédéraux pour faire fonctionner ce poêle à bois d'une manière incompatible avec les instructions d'utilisation dans le manuel du propriétaire. AVERTISSEMENT : N'obstruez pas l'espace sous le radiateur. ATTENTION : Les ouvertures d'air de combustion ne doivent pas être obstruées. Ne pas installer dans un foyer préfabriqué.

DANGER: Risque de choc électrique. Débrancher l'alimentation avant toute intervention sur l'appareil. Faire passer le cordon d'alimentation à l'écart de l'appareil. Ne pas faire passer le cordon d'alimentation sous l'appareil, ou devant celui-ci. Veuillez à toujours garder la zone derrière l'appareil dégagée. Ne pas utiliser de grille ni surélever le feu- Faire un feu de bois directement sur le foyer.

Uniquement pour une utilisation avec du bois entier. Ne pas ajouter d'autres combustibles. Ne pas brûler de déchets ni de liquides inflammables tels que de l'essence, du naphtha ou de l'huile à moteur. Ne pas raccorder cet appareil à un conduit de cheminée servant à un autre appareil. NOTE : Ne remplacer le verre qu'avec la céramique fournie par l'usine. Ne faire fonctionner qu'avec la porte fermée.

ÉLECTRICITÉ : 120 VAC, 0.55A, 60Hz - Cet appareil peut être utilisé avec le dispositif de ventilation modèle CB36.

PRÉVENTION DES FEUX DE CRÉOSOTE : Inspecter et ramoner la cheminée fréquemment. Dans certaines conditions d'utilisation, une accumulation de creosote peut survenir rapidement. Consulter les instructions du fabricant et les codes locaux pour les précautions nécessaires à prendre pour faire traverser un mur ou un plafond combustible par une cheminée. Ne pas faire traverser un mur ou un plafond combustible par un raccord de cheminée. La cheminée doit obligatoirement être fabriquée en usine conformément à la norme UL103/ULC 629, ou réalisée en maçonnerie avec un doublage. Le tuyau de raccordement au conduit de fumée doit obligatoirement avoir un diamètre de 6 pouces, et au minimum être en acier noir de calibre standard MSG 24 ou bleu de calibre standard 26 MSG. À installer en tant qu'appareil de chauffage autonome avec les dégagements indiqués dans les instructions d'installation du fabricant. Ne pas installer dans une cheminée.

ATTENTION : Ouvrir à fond la commande d'arrivée d'air de combustion avant d'ouvrir la porte de chargement.

CLEARANCE TO COMBUSTIBLE SURFACES / DÉGAGEMENTS PAR RAPPORT AUX SURFACES COMBUSTIBLES

Key	Description	inch/po	mm
Floor Protection Description			
A	Front/ Avant	18	458
B	Back/Arrière	8	204
C	Sides/Côtés	8	204
D	Backwall to Stove/Mur arrière au poêle	17	432
E	Sidewall to Stove/Paroi latérale au poêle	26	61
F	Wall to Corner (Angled Installation)/Mur à coin (installation en angle)	18	458
G	Ceiling Height/Hauteur de plafond	84	2134
H	Backwall to Flue/Paroi arrière à la cheminée	19	483
J	Sidewall to Flue/Flanc à conduit	35	889

This heater must have a non-combustible floor protector with an R-Value of at least 1.2 installed beneath it if the floor is constructed of combustible material. If a floor pad is used, it should be UL listed or equal. The floor protector should be large enough to extend under the stove and beyond each side as indicated. If there is a horizontal run of flue pipe, there needs to be floor protection under it that extends two inches beyond either side of the pipe.

Cet appareil de chauffage doit avoir un protecteur de sol incombustible avec une valeur R d'au moins 1,2 installée en dessous de celui-ci si le sol est construit en matériau combustible. Si un tampon de sol est utilisé, il doit être répertorié UL ou équivalent. Le protecteur de sol doit être suffisamment grand pour s'étendre sous le poêle et au-delà de chaque côté, comme indiqué. S'il y a un conduit de cheminée horizontal, il doit y avoir une protection du plancher dessous qui s'étend de deux pouces au-delà de chaque côté du tuyau.

FLOOR PROTECTOR /
PROTECTEUR DE PLANCHER

CLEARANCE TO WALLS/
DÉGAGEMENT AUX MURS

CORNER INSTALLATION CLEARANCE
TO WALLS & CEILING/
DÉGAGEMENT D'INSTALLATION
D'ANGLE AUX MURS ET AU PLAFOND

CORNER INSTALLATION
CLEARANCE TO WALLS/
DÉGAGEMENT D'INSTALLATION
D'ANGLE AUX MURS

DO NOT REMOVE OR COVER THIS LABEL / NE PAS RETIRER CETTE ÉTIQUETTE

0.25 TEXT HEIGHT
0.125 TEXT HEIGHT

6.25

9.50

© 2010 United States Stove Company ALL RIGHTS RESERVED THE DATA CONTAINED HEREIN IS PROPRIETARY TO U. S. STOVE COMPANY. THIS DATA SHALL NOT BE DUPLICATED, TRANSFERRED, MADE AVAILABLE, OR USED BY ANY THIRD PARTY FOR ANY PURPOSE EXCEPT SPECIFICALLY AUTHORIZED IN WRITING BY U. S. STOVE COMPANY.		TOLERANCES EXCEPT AS NOTED	HOLES ± .005" DECIMAL .XX = 0.03 XXX = 0.010 ANGULAR ± 2°	DESCRIPTION NOTED FINISH NOTED REFERENCE DHWS3500	SCALE 1:1 DWN BY SEH DATE 1/30/24	SIZE B REV A TITLE CERTIFICATION LABEL	UNITED STATES STOVE COMPANY ESTABLISHED 1869		NUMBER 852200DH	SHEET 1 of 1
--	--	-------------------------------	--	--	--	---	--	--	--------------------	-----------------

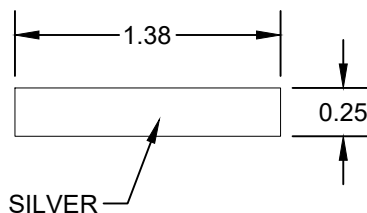
LABELING VENDOR NOTES:

MATERIAL: 0.012 THK. ALUMINUM / 3M 9672 ADEHESIVE BACKED.

FINISH: BLACK BACKGROUND, SILVER ALL TEXT AND ILLUSTRATIONS) UNLESS NOTED OTHERWISE.

TEXT: ALL TEXT TO BE 0.06 HIGH UNLESS OTHERWISE SPECIFIED. ALL BOLD TEXT TO BE 0.08 HIGH UNLESS OTHERWISE SPECIFIED

REVISION HISTORY			
REV	DESCRIPTION	DATE	BY
A	INITIAL RELEASE	1/30/24	SEH



1 INCH SQ. BORDER, LOGS AND FLAMES ARE TO BE RED

Model / Modele: KW3200-P

Room Heater, Solid Fuel Type, Also for use in Mobile Homes/Transportable Building. Appareil de chauffage individuel à combustible solide, pouvant aussi être utilisé dans les maisons mobiles/Bâtiment transportable. Certified to / Certifié: UL1482-2022, CAN/ULC S627:2023

U.S. ENVIRONMENTAL PROTECTION AGENCY
 Certified to comply with 2020 particulate emission standards using cordwood. Tested Per EPA Methods ALT-125, ASTM E2515, ASTM E3053 and CSA B415.1-10 - 1.3 g/hr. 71% Efficiency.

SERIAL NO. / N° de série: []
 MFG DATE: []

U.S. Stove Company
 227 Industrial Park Road • South
 Pittsburgh, TN 37380 •
 Phone: (800) 750-2723 •
 Web: www.usstove.com

CAUTION: HOT WHILE IN OPERATION-DO NOT TOUCH KEEP CHILDREN AND CLOTHING AWAY-CONTACT MAY CAUSE SKIN BURNS. SEE NAME - PLATE AND INSTRUCTIONS. KEEP FURNISHINGS AND OTHER COMBUSTIBLE MATERIALS A CONSIDERABLE DISTANCE AWAY FROM THE APPLIANCE.

PREVENT HOUSE FIRES: Install and Use Only in Accordance With Manufacturer's Installation and Operating Instructions. Contact Local Building or Fire Officials About Restrictions and Installation Inspection in Your Area. In absence of any local codes, installation must meet minimum requirements of NFPA 211. Suitable for mobile home installation. Outside air combustion system required for mobile home installation. The provided pedestal base must be installed and attached as shown in the installation instructions. This wood heater needs periodic inspection and repair for proper operation. Consult the owner's manual for further information. It is against federal regulations to operate this wood heater in a manner inconsistent with the operating instructions in the owner's manual. **WARNING:** Do not obstruct the space beneath the heater. **CAUTION:** Combustion air openings are not to be obstructed. Not to be installed in a factory built fireplace.

DANGER: Risk of Electrical Shock. Disconnect Power Before Servicing Unit. Route power cord away from unit. Do not route power cord under or in front of appliance. Do Not Obstruct the Space Beneath the Heater. Do Not Use Grate or Elevate Fire- Build Wood Fire Directly on Hearth. For use with solid wood fuel only. Do not add other fuels. Do not burn garbage or flammable fluids such as gasoline, naphtha, or engine oil. Do Not Connect This Unit to a Chimney Flue Serving Another Appliance. **NOTE:** Replace glass only with factory supplied ceramic. Operate only with door closed.

ELECTRICAL: 120 VAC, 0.55A, 60Hz - This unit may be used with blower assembly model CB36.

PREVENT CREOSOTE FIRES: Inspect and clean chimney frequently. Under certain conditions of use creosote buildup may occur rapidly. Refer to manufacturer's instructions and local codes for precautions required for passing chimney through a combustible wall or ceiling. Do not run a chimney connector through a combustible wall or ceiling. Chimney must be factory built UL1 03/ULC 629; or masonry, with liner. Flue connector pipe must be 6 inch diameter, minimum 24 MSG Black or 26 MSG Blue Steel. To be installed as a freestanding space heater with the clearances in the manufacturer's installation instructions. Not to be installed in any fireplace.

CAUTION: Fully open combustion air control before opening the fuel feed door.

ATTENTION: CHAUD PENDANT LE FONCTIONNEMENT -NE PAS TOUCHER MAINTENIR LES ENFANTS ET LES VÊTEMENTS ÉLOIGNÉS. TOUT CONTACT PEUT ENTRAÎNER DES BRÛLURES. CONSULTER LA PLAQUE SIGNALÉTIQUE ET LES INSTRUCTIONS. MAINTENIR LE MOBILIER ET LES AUTRES MATIÈRES COMBUSTIBLES À BONNE DISTANCE DE L'APPAREIL.

PRÉVENTION DES INCENDIES DE MAISON: N'installer et n'utiliser que conformément aux instructions d'installation et d'utilisation du fabricant. Prendre contact avec les responsables locaux de construction ou de lutte contre l'incendie au sujet des restrictions à l'installation et des exigences d'inspections chez vous. En l'absence de codes locaux, l'installation doit obligatoirement être conforme aux exigences minimales de la norme NFPA 211. Conçu Pour Maisons Mobiles. En dehors du système de combustion de l'air requis pour l'installation de la maison mobile. Les pieds ou le piédestal fournis doivent obligatoirement être installés et fixés com me indiqué par les instructions d'installation. Pour un fonctionnement correct, consultez le manuel du propriétaire pour plus d'informations. Ce est contre les règlements fédéraux pour faire fonctionner ce poêle à bois d'une manière incompatible avec les instructions d'utilisation dans le manuel du propriétaire. **AVERTISSEMENT :** N'obstruez pas l'espace sous le radiateur. **ATTENTION :** Les ouvertures d'air de combustion ne doivent pas être obstruées. Ne pas installer dans un foyer préfabriqué.

DANGER: Risque de choc électrique. Débrancher l'alimentation avant toute intervention sur l'appareil. Faire passer le cordon d'alimentation à l'écart de l'appareil. Ne pas faire passer le cordon d'alimentation sous l'appareil, ou devant celui-ci. Veuillez à toujours garder la zone derrière l'appareil dégagée. Ne pas utiliser de grille ni surélever le feu- Faire un feu de bois directement sur le foyer. Uniquement pour une utilisation avec du bois entier. Ne pas ajouter d'autres combustibles. Ne pas brûler de déchets ni de liquides inflammables tels que de l'essence, du naphtha ou de l'huile à moteur. Ne pas raccorder ce appareil à un conduit de cheminée servant à un autre appareil. **NOTE :** Ne remplacer le verre qu'avec la céramique fournie par l'usine. Ne faire fonctionner qu'avec la porte fermée.

ÉLECTRICITÉ : 120 VAC, 0.55A, 60Hz - Cet appareil peut être utilisé avec le dispositif de ventilation modèle CB36.

PRÉVENTION DES FEUX DE CRÉOSOTE : Inspecter et ramoner la cheminée fréquemment. Dans certaines conditions d'utilisation, une accumulation de creosote peut survenir rapidement. Consulter les instructions du fabricant et les codes locaux pour les précautions nécessaires à prendre pour faire traverser un mur ou un plafond combustible par une cheminée. Ne pas faire traverser un mur ou un plafond combustible par un raccord de cheminée. La cheminée doit obligatoirement être fabriquée en usine conformément à la norme U103/ULC 629, ou réalisée en maçonnerie avec un doublage. Le tuyau de raccordement au conduit de fumée doit obligatoirement avoir un diamètre de 6 pouces, et au minimum être en acier noir de calibre standard MSG 24 ou bleu de calibre standard 26 MSG. À installer en tant qu'appareil de chauffage autonome avec les dégagements indiqués dans les instructions d'installation du fabricant. Ne pas installer dans une cheminée.

ATTENTION : Ouvrir à fond la commande d'arrivée d'air de combustion avant d'ouvrir la porte de chargement.

CLEARANCE TO COMBUSTIBLE SURFACES / DÉGAGEMENTS PAR RAPPORT AUX SURFACES COMBUSTIBLES

Key	Description	inch/po	mm
Floor Protection Description			
A	Front/ Avant	18	458
B	Back/Arrière	8	204
C	Sides/Côtés	8	204
D	Backwall to Stove/Mur arrière au poêle	17	432
E	Sidewall to Stove/Paroi latérale au poêle	26	61
F	Wall to Corner (Angled Installation)/Mur à coin (installation en angle)	18	458
G	Ceiling Height/Hauteur de plafond	84	2134
H	Backwall to Flue/Paroi arrière à la cheminée	19	483
J	Sidewall to Flue/Flanc à conduit	35	889

This heater must have a non-combustible floor protector with an R-Value of at least 1.2 installed beneath it if the floor is constructed of combustible material. If a floor pad is used, it should be UL listed or equal. The floor protector should be large enough to extend under the stove and beyond each side as indicated. If there is a horizontal run of flue pipe, there needs to be floor protection under it that extends two inches beyond either side of the pipe.

Cet appareil de chauffage doit avoir un protecteur de sol incombustible avec une valeur R d'au moins 1,2 installée en dessous de celui-ci si le sol est construit en matériau combustible. Si un tampon de sol est utilisé, il doit être répertorié UL ou équivalent. Le protecteur de sol doit être suffisamment grand pour s'étendre sous le poêle et au-delà de chaque côté, comme indiqué. S'il y a un conduit de cheminée horizontal, il doit y avoir une protection du plancher dessous qui s'étend de deux pouces au-delà de chaque côté du tuyau.

FLOOR PROTECTOR /
PROTECTEUR DE PLANCHER

CLEARANCE TO WALLS/
DÉGAGEMENT AUX MURS

CORNER INSTALLATION CLEARANCE
TO WALLS & CEILING/
DÉGAGEMENT D'INSTALLATION
D'ANGLE AUX MURS ET AU PLAFOND

CORNER INSTALLATION
CLEARANCE TO WALLS/
DÉGAGEMENT D'INSTALLATION
D'ANGLE AUX MURS

DO NOT REMOVE OR COVER THIS LABEL / NE PAS RETIRER CETTE ÉTIQUETTE

0.25 TEXT HEIGHT

0.125 TEXT HEIGHT

6.25

9.50

© 2010 United States Stove Company		TOLERANCES		DESCRIPTION		SCALE		REV		UNITED STATES STOVE COMPANY	
ALL RIGHTS RESERVED THE DATA CONTAINED HEREIN IS PROPRIETARY TO U. S. STOVE COMPANY. THIS DATA SHALL NOT BE DUPLICATED, TRANSFERRED, MADE AVAILABLE, OR USED BY ANY THIRD PARTY FOR ANY PURPOSE EXCEPT SPECIFICALLY AUTHORIZED IN WRITING BY U. S. STOVE COMPANY.		EXCEPT	HOLES ± .005"	NOTED		1:1		A		ESTABLISHED 1869	
		AS	DECIMAL .XX = 0.03 XXX = 0.010	FINISH NOTED		DOWN BY SEH		B		CERTIFICATION LABEL	
		NOTED	ANGULAR ± 2°	REFERENCE KW3200-P		DATE 1/30/24		TITLE		NUMBER 852200KG	SHEET 1 of 1

APPENDIX 8: Photographs of test set up

Dilution picture Dia 8 no. EG-029

Polytests Services Inc. 695 B rue Gaudette, St-Jean-sur-Richelieu Québec, Canada, J3B 7S7



Velocity ports at 90 degrees

Particulate sample extraction ports located 48 inches under (requirement $4D=32$ inches minimum) velocity ports and 18 inches above downstream Tee. (Requirement $2D=16$ inches minimum)

Adjustable damper for flow adjustments

Extraction blower



Last elbow from horizontal run

8 inches diameter stainless steel pipe

Velocity ports located 138 inches downstream of the last elbow (requirement $8D=64$ inches minimum) and 48 inches upstream of the sampling ports (requirement $4D=32$ inches minimum)

Total length between hood and sampling port: 23 feet.



Two 8 inches elbow with horizontal mixing section.

60 inches horizontal run between two elbows. Mixing section, No mixing baffle. 8 inches diameter pipe

Hood diameter 32 (requirement $4D=32$ inches minimum) inches and height of 24 inches (requirement $3D=24$ inches minimum)

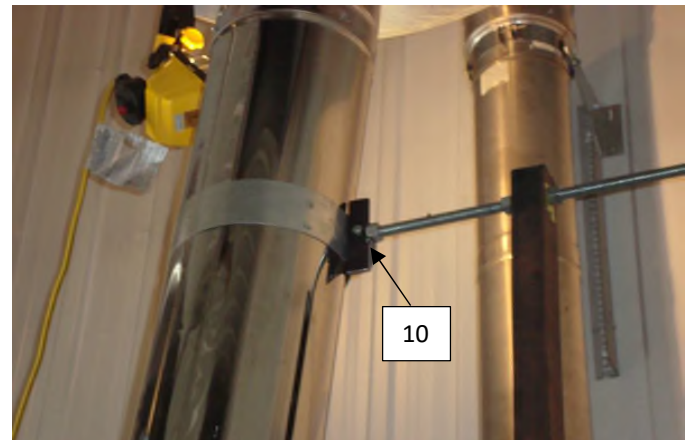
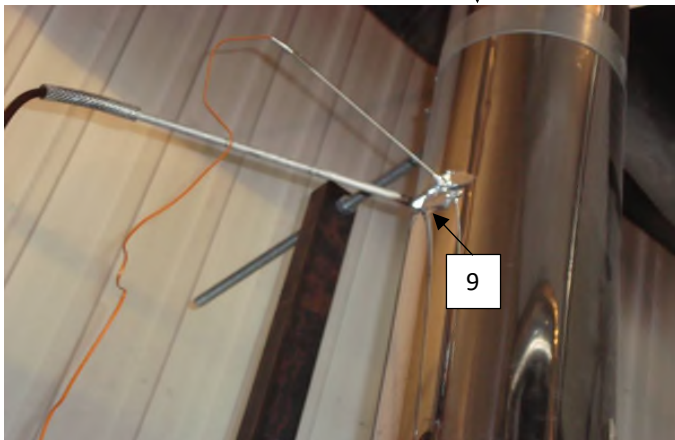
All pipe joints are sealed.

Stack sampling



Gas analysis and temperature probe

chimney support



9 : Temperature and gas analyser sampling ports located 9 feet above platform

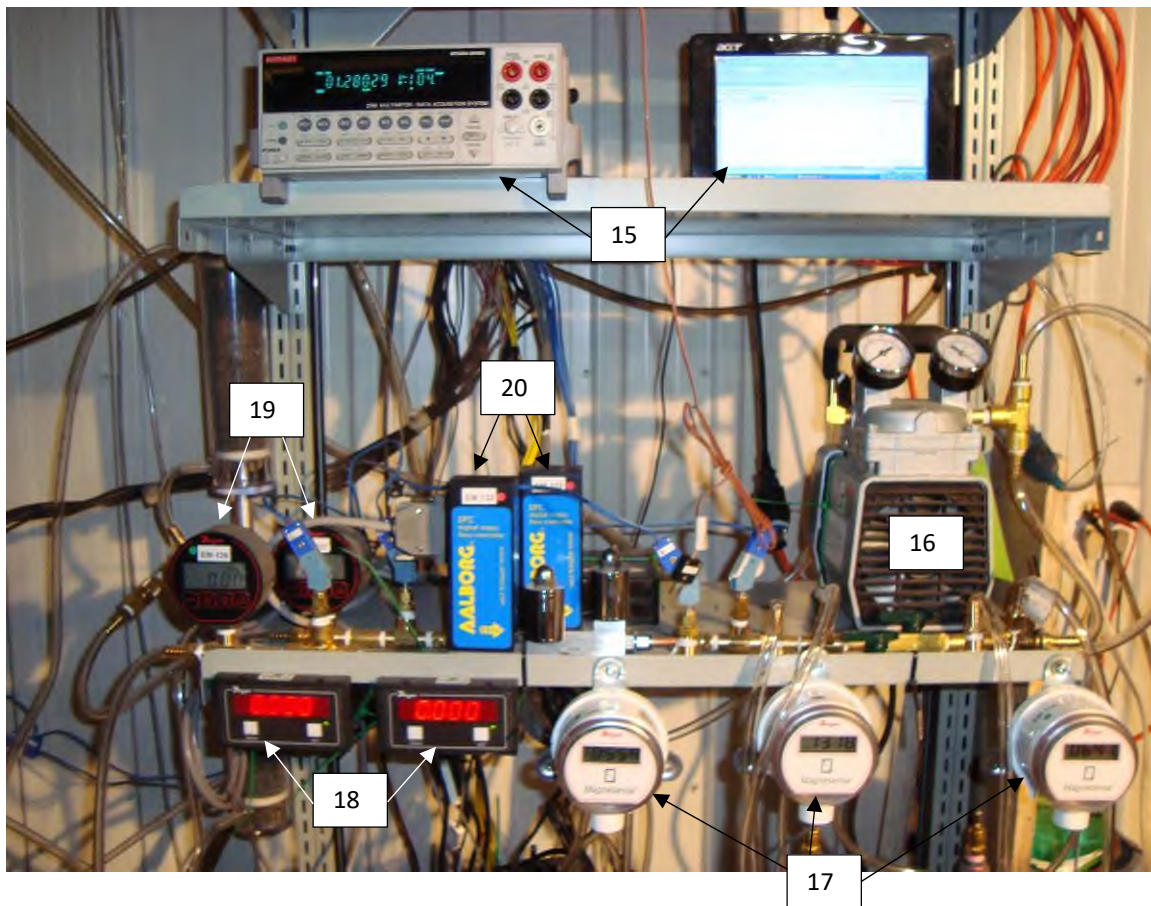
10 : Exhaust system support bracket

Draft sampling



14 : Draft sampling port located 6 in. from the flue outlet

Equipment's

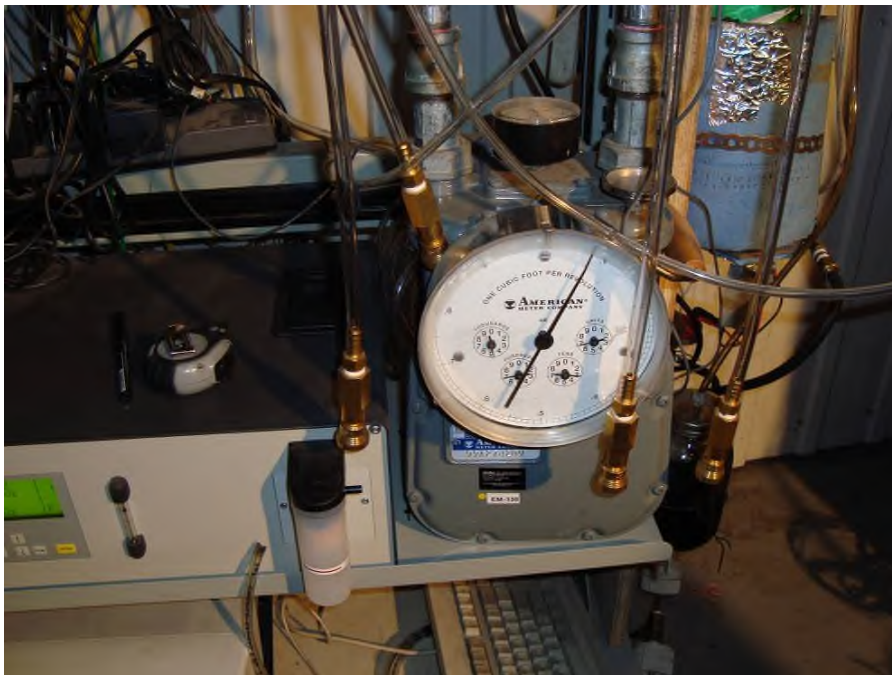


- 15 : Acquisition system
- 16 : Vacuum pump
- 17 : Digital manometer
- 18 : Digital read out for mass flow meter
- 19 : Digital vacuum gage
- 20 : Mass flow meter

Gaz analyser



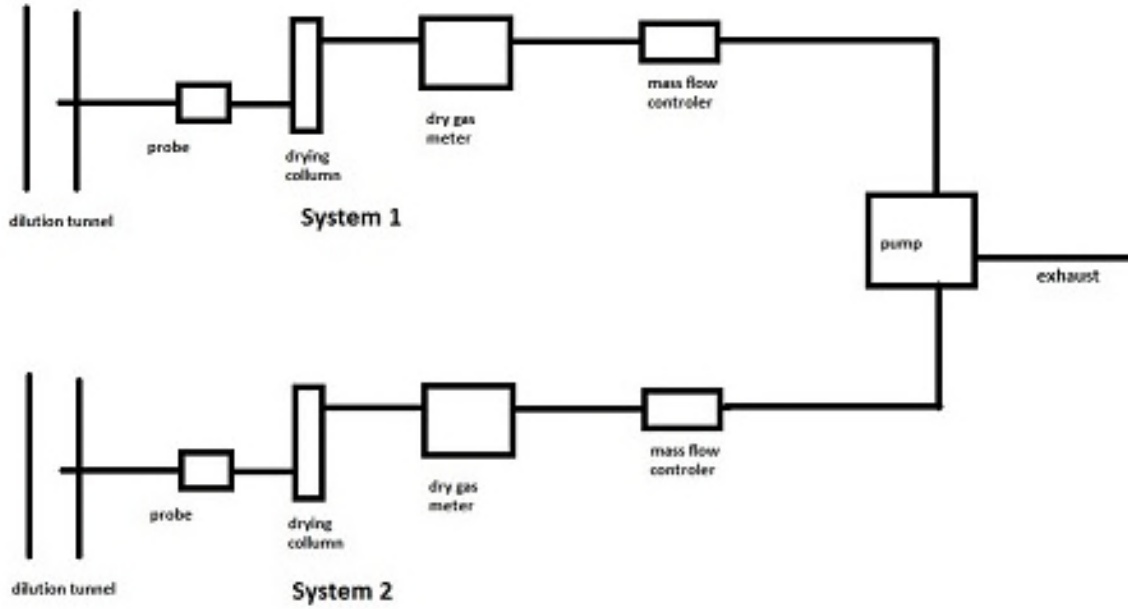
Reference dry gas meter



Dry gas meter for train 1, train 2 and room filter.



Dilution tunnel sample system



Dilution tunnel

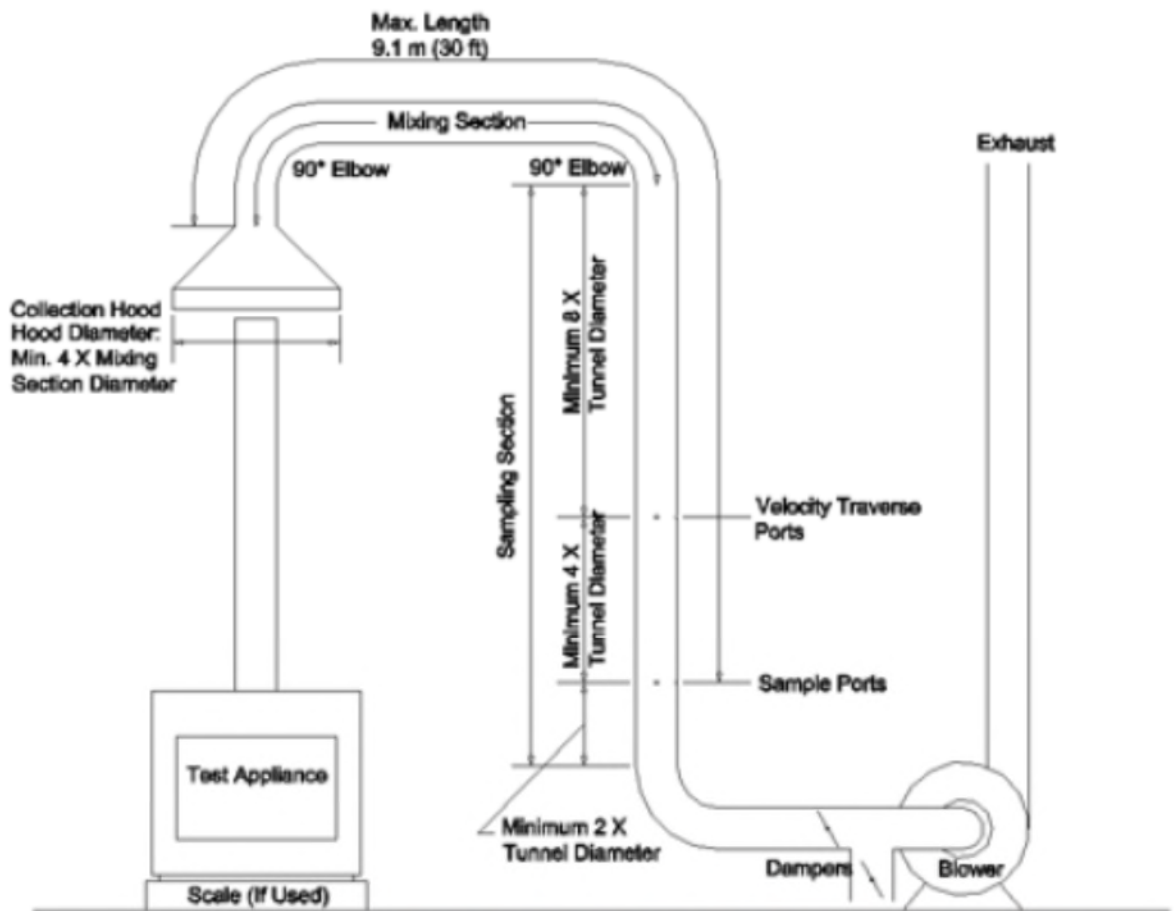


FIG. 3 Steel-Constructed Dilution Tunnel Apparatus

APPENDIX 9: Test load photographs

Run 1.1 February 3rd 2020 high burn

Testing Load high burn



Strat up kindling



Testing load



Load in the stove



Run 1.2 February 3rd Minimum burn

Testing load



Load in the stove



Testing load minimum burn



Run 2.1 February 4th medium burn

Testing load Kindling, Startup and test load



Testing load



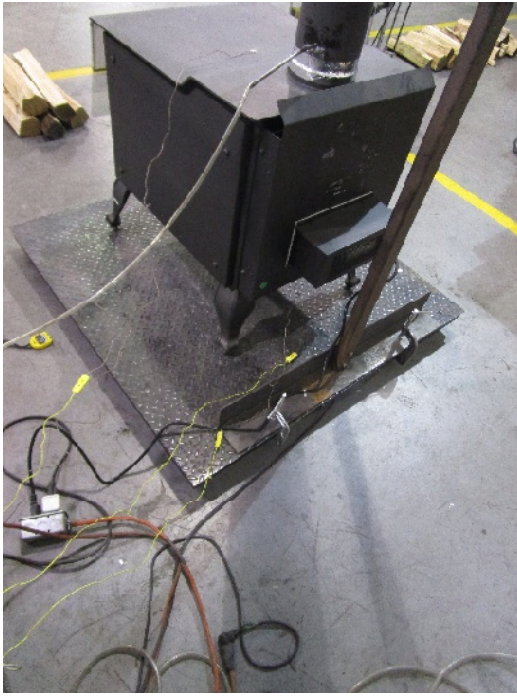
Testing load



Load in the stove



Side and back view



Front view of the stove



Side view



APPENDIX 10: Laboratory Operating Procedures

POLYTESTS Services inc.

SFBA EMISSIONS AND EFFICIENCY TESTING LABORATORY OPERATING PROCEDURE

INTRODUCTION

This document provides a step by step guide for the technician conducting tests to EPA standard requirements. Procedures outlined here, when followed, will result in tests in conformance with EPA Methods 28R, ASTM E2780, ASTM E2515, ASTM E2618, Method 28WHH, Method 28 PTS, Method ALT-125, ASTM E3053.

The primary measurements to be made are particulate emissions rates. The technician's duties include the following steps.

1. Incoming inspection of test units.
2. Set-up of test units.
3. Preliminary testing to establish unit operating procedures and familiarity with operating controls.
4. Calibration of test equipment.
5. Set-up, checking and operation of sampling apparatus.
6. Conduct of tests including complete record keeping and data recording for non-automated functions.
7. Operation of hardware and software included in automatic data acquisition system.
8. Review and analysis of data at test completion to ensure test validity.

The technician running this test must be familiar with the following documents, which are to be kept in the laboratory at all, times.

EPA METHODS

1. EPA METHODS 28R
2. ASTM E2780
3. ASTM E2515
4. ASTM E2618
5. METHOD 28WHH
6. METHOD 28 PTS
7. ALT-125
8. ASTM E3053

POLYTESTS Services inc.

SFBA EMISSIONS AND EFFICIENCY TESTING LABORATORY OPERATING PROCEDURE

I. APPLIANCE INSPECTION AND SET-UP

A. INCOMING INSPECTION

1. Check for completeness of unit including parts, accessories, installation and operating instructions, drawings and specifications etc. Note any discrepancies or missing parts or information.
2. Check for shipping damage. If damage has occurred, notify the laboratory manager. In some cases, repairs may be made, provided the manufacturer and laboratory manager concur that repairs will not affect the unit's performance. If damage is irreparable, a new unit will need to be obtained.
3. Note whether unit is catalytic or non-catalytic.
4. Mark unit with manufacturer's name, model number, work order number and date received.
5. If unit is safety listed, note label data including listing agency and serial number. If unit is not listed, mark all data sheets "UNLISTED". Test results will not be released until unit passes safety tests without modification unless authorized by laboratory manager.

B. UNIT SET-UP

1. All new units must be operated for a breaking in period as follows.
 - a) Non-catalytic units: Ten (48) hours at medium burn rate with Douglas Fir scrap or cordwood.
 - b) Catalytic units: Fifty (50) hours at medium burn rate with Douglas Fir scrap or cordwood.

During these break-in runs the unit may be connected to a lab chimney and fuel additions noted into the corresponding data acquisition file. For catalytic units, a thermocouple must be installed in the catalyst.

Record catalyst temperature at 1-hour intervals or on chart recorder. Operating should continue until data shows at least fifty (50) hours of operation with catalyst temperature in excess of 500 degrees Fahrenheit (active range).

For non-catalytic units a stack thermocouple should be installed and stack temperature recorded at 1-hour intervals. Fourty-eight (48) hours minimum burn time with a stack temperature of at least 250 degrees Fahrenheit is required.

Once break-in is completed, allow unit to cool. Clean unit thoroughly.

POLYTESTS Services inc.

SFBA EMISSIONS AND EFFICIENCY TESTING LABORATORY OPERATING PROCEDURE

2. Unit is to be placed on scale for testing. Prior to proceeding with verification process, scale should be turned on and allowed to warm up for one (1) hour minimum. Zero scale and check calibration with standard weights. One (1) 1 kg weight and one (1) 2 kg weight are provided for this purpose. Use scale verification test form no. EPA-7-TP to record results. If scale fails to reproduce weights within tolerance, check with laboratory manager before proceeding.
3. If scale checks out, place unit on scale and align so chimney will be centered in hood.
4. Attach chimney connector and chimney. Be sure all joints are sealed below sampling points. Chimney and connector should be cleaned with a wire brush. Be sure chimney connector terminates and chimney starts at proper level above scale platform. Chimney must be supported from scale so that it does not touch test enclosure or hood walls.
5. Thermocouples should be attached to surfaces of unit prior to testing. EPA requires a thermocouple on the bottom of the firebox. This must be installed prior to putting the unit on the scale. In some cases, the required thermocouple locations will be inaccessible on finished units. These units should have thermocouples installed by the manufacturer during construction. Check with the laboratory manager if problems are encountered in proper thermocouple attachment.
6. Measure firebox dimensions and record on data forms nos. EPA-2-TP. Make a three-dimensional sketch of the firebox including firebrick, baffles and obstructions. Calculate firebox volume in cubic feet with both addition and subtraction methods using forms nos. EPA-3-TP and EPA-4-TP. See Section 6.2.4 of EPA Method 28 for details of firebox volume determination.
7. If unit is catalytically equipped, additional thermocouples must be installed upstream and downstream of catalyst. Thermocouples should also be placed in the primary and secondary combustion chambers of all units.
8. Plug thermocouples into data acquisition system jacks making a check of locations and jack numbers for each test on data form no. EPA-5-TP.
9. Note that inserts are tested as if they are freestanding stoves.
10. Dilution tunnel should be cleaned prior to each certification test series and at anytime a higher burn rate follows a lower test burn rate.

POLYTESTS Services inc.

SFBA EMISSIONS AND EFFICIENCY TESTING LABORATORY OPERATING PROCEDURE

II. SAMPLING SYSTEM – SET-UP

A. GAS ANALYSIS

1. Instruments should be turned on and allowed to warm up for one (1) hour minimum.

2. Calibrate analyzers as follows:

NOTE : Prior to proceeding with calibration, make sure to use NIST traceable calibration gas bottles. Adjust flow meter if necessary at each instrument to required flow value.

- a) Using span gas, adjust span control to values specified on calibration gas label.
- b) Using nitrogen, adjust zero controls to provide a 0.00 analyzer readout.
- c) Repeat a) and b) until no further adjustment is required.
- d) Check readout vs. calibration gases (2) labels.

The CO₂ and CO analyzers are “ZEROED” on nitrogen. The O₂ analyzer is spanned on air and set for 20.9%. It is zeroed on nitrogen as well.

3. Check for response time synchronization.

- a) With no fire in unit, allow reading to stabilize (O₂ should be 20.93, CO and CO₂ should equal 0).
- b) Flow the calibration gas in the unit and start stop watch. Note the time required for each unit to reach .90 of the calibration gas bottle value. If all three analyzers reach this value within 15 seconds of each other, synchronization is adequate. If not, contact the laboratory manager. Synchronization is adjusted by internal instrument setting.

4. Set-up sample clean-up and water collection train as follows.

- a) Load impingers as follows:
Impinger #1: 100 ml distilled water and 5 ml H₂SO₄
Impinger #2: 100 ml distilled water and 5 ml H₂SO₄
Impinger #3: Empty
Impinger #4: 200 – 300 grams silica gel (dry)

POLYTESTS Services inc.

SFBA EMISSIONS AND EFFICIENCY TESTING LABORATORY OPERATING PROCEDURE

- b) Place impingers in container and connect with "U TUBES". Grease carefully on bottom half of ball joint so that grease will not get into tubes.
- c) Connect filter to first impinger and sample line to last impinger.
- e. Leak check system as follows.
 - 1) Plug probe.
 - 2) Turn on sample system.
 - 3) Observe sample flow rotometer and vacuum gauge. If necessary, use vacuum; adjust valve to set vacuum to the maximum inches Hg.
 - 4) If the float in rotometer does not stabilize below 10 on scale, system must be resealed.
 - 5) Repeat leak check procedure until satisfactory results are obtained.
- f) Just prior to starting test, fill impinger container with water and ice and record ambient conditions on data form no. EPA-8-TP.

B. DILUTION TUNNEL SAMPLE TRAIN SET-UP

- 1. Filters and holders.
 - a) Clean probes and filter holder front housings carefully and desiccate for at least 24 hours prior to use.
 - b) Filters should be numbered and filter and probe combinations labeled prior to use.
 - c) Weigh desiccated filters and probe-filter units on analytical balance. Record weights data form no. EPA-10-TP. Note that probe and front half of front filter are to be weighed as a unit.
 - d) Carefully assemble filter holder units and connect to sampling systems. Check "DRIERITE" columns for adequate dry absorbent (blue).
- 2. Leak checking.
 - a) Each sample system is to be checked for leakage prior to inserting probes in tunnel.
 - b) Plug probes and start samplers, adjust pump bypass valve to produce a vacuum reading of 5 inches Hg. (NOTE: During test, vacuum must not exceed 5 inches unless posttest leak check shows acceptable results.)

POLYTESTS Services inc.

SFBA EMISSIONS AND EFFICIENCY TESTING LABORATORY OPERATING PROCEDURE

c) Allow vacuum indication to stabilize for two (2) minutes, then record time and dry gas (DGM₁) and (DGM₂) meter readings. Wait ten (10) minutes and record dry gas meter readings again (DGM₃, DGM₄). NOTE: If mark, system is leaking too much and all seals should be checked.

d) Calculate leakage rate as follows.

$$1) \text{ System 1: } \frac{(DGM_3 - DGM_1)}{10} = CFM_1$$

$$2) \text{ System 2: } \frac{(DGM_4 - DGM_2)}{10} = CFM_2$$

If CFM₁ or CFM₂ is greater than .02 CFM, leakage is unacceptable and system must be resealed.

If CFM₁ or CFM₂ is greater than 0.04 X sample rate, leakage is unacceptable. For most tests, the sample rate will be about 0.15 CFM, thus leakage rates in excess of 0.04 X 0.15 = 0.006 CFM are not acceptable. Record leakage rates on form no. EPA-5-TP

e) Once leakage check is satisfactory, unplug probe and set flow to appropriate rate for test. This should be done in the minimum amount of time necessary and with the probes in ambient air. Do not insert probes in tunnel until the start of the test run. When flow is established, replug probes to prevent contamination.

III. TEST CONDUCT

A. FUEL LOAD

1. Determine optimum load weight by multiplying firebox volume in cubic feet by 7 or (10 and 12 for cordwood method). This is the load weight on an as-fired basis.
2. Determine piece size to obtain the requested load configuration and meet the test load weight criteria. The load should consist of the following: **TO BE DETERMINED**
3. Weigh out test load and adjust weight by shortening all pieces equally if necessary. Record individual piece load on form no. EPA-11-TP.

POLYTESTS Services inc.

SFBA EMISSIONS AND EFFICIENCY TESTING LABORATORY OPERATING PROCEDURE

4. Measure and record moisture content of each fuel piece using Delmhorst moisture meter. Determine if fuel load moisture content is in required range. If not, construct new load using wood with required moisture content. All wood in the humidity chamber should be within range. Contact project manager if you cannot find suitable pieces. Record moisture of each individual piece load on form no. EPA-11-TP.

B. UNIT START-UP

1. Before lighting a fire, turn on dilution tunnel and set tunnel velocity to 500ft/min Record readings on data form no. EPA-9-TP.
2. Check draft imposed on cold stove with all inlets closed and a draft gauge in the chimney. If draft is greater than 0.005 inches water column, adjust tunnel to stack gap until draft is less than 0.005.
3. Check for ambient airflow around unit with hot wire anemometer. Must be less than 50 ft/min.
4. Check all equipment for proper operation. Analyzers should be on and in sample mode. Computer should be loaded with test program and awaiting test start command.
5. Zero scale and start fire with uncolored newspaper and kindling representing 10 % of test load with the same type of fuel.
6. Once kindling is burning well after 5 minutes, add splitted pieces having a bottom surface around 4 sq. inches and representing 25% of test load weight. Operate at high fire for 15 minutes. Then adjust settings to intended test run levels as per the manufacturer's.
7. Following addition of pretest fuel load (splitted pieces), start computer for data logging.
8. All fuel additions, air intake settings and operational characteristics shall be noted with associated time stamp on form no. EPA-1-TP.

POLYTESTS Services inc.

SFBA EMISSIONS AND EFFICIENCY TESTING LABORATORY OPERATING PROCEDURE

C. TEST RUN

1. Once the targeted test fuel bed weight is obtained, the test is to be started as follows:
 - a) Insert the sample probes into the tunnel being careful not to hit sides of tunnel with probe tip.
 - b) Check tunnel pitot tube for proper position. (Pitot should be carefully cleaned prior to each test.)
 - c) Turn on probe sample systems and stack sampler.
 - d) Open stove door, rake coals and load stove as follows: **TO BE DETERMINED**
 - e) Close door or follow manufacturer's start-up procedures. (Five (5) minutes maximum time before all doors and controls must be set to final positions for duration of test. 15 minutes allowed for ALT-125 method)
 - f) An alarm will sound an audible signal at the (10) minutes intervals. This signal a reading interval. You must verify at each interval that the following readings are correctly logged by the data acquisition system and make observations of any unusual or non-routine events that could occur.
 - 1) Rotometer readings.
 - 2) Tunnel pitot tube reading.
(Zero regularly between readings)
 - 3) Gas meter readings.
 - 4) Temperature readings.
 - 5) Draft reading
 - 6) Test load weight
 - 7) CO, CO₂ and O₂ readings
 - 8) Observations of any unusual or non-routine events.
 - g) During the test, any condition approaching unacceptable limits will be noted. The filter probes and housings are installed in small holders just outside the tunnel. If the filter temperature gets too high, you will have to increase the water flow through the cooling unit until acceptable temperatures are obtained. In between readings, check on other equipment. Be sure dryers and filters are working and monitor impinger train for proper water and ice levels etc.
 - h) When the fuel charge is consumed, it will signal end of test and shut down the sampling systems. When this occurs,

POLYTESTS Services inc.

SFBA EMISSIONS AND EFFICIENCY TESTING LABORATORY OPERATING PROCEDURE

remove filter holder and probes from tunnel and impingers from sample line.

IV. POST TEST PROCEDURES

A. SAMPLE RECOVERY – FILTER TRAINS

1. Carefully clean outside of probes and filter housings with alcohol.
2. Disassemble filter holder and transfer filters to clean petri dish. Scrape gasket with scalpel and collect any loose material on filters.
3. Place probe and front half of first filter holders (still assembled) and filters in desiccator. Allow 24-hour desiccation before weighing.
4. Weigh probe filter holder units and filters at six (6) hour intervals until weight change between weighings is less than 0.2 mg. Record all weights taken on data form no. EPA-10-TP.

B. CALCULATION OF RESULTS

The computer program carries out all final calculations. When run, it will ask for data from forms used during the test. Enter data as called for.

GENERAL

This guide cannot cover every possible contingency, which may develop during a particular test program. Many questions, which may arise, can be answered by a complete understanding of the test standards and their intent. When in doubt on any detail, check with the laboratory manager and be sure you understand the procedures involved.

It is critical that all spaces on the data forms be properly filled in. Each test must be represented by a complete record of what was done and when.

APPENDIX 11: Sample calculations

Validation du fichier de calcul avec les équations provenant des normes:

ASTM E2515-11

ASTME3053-17

Equation 9,2 (1)

$$M_{fldb} = \sum (M_{flnwb}) (100) / (100 + MC_{fln})$$

Nomenclature

M_{FLdb}	Weight of test fuel load, dry basis lb (kg)
M_{FLnwb}	Weight of each test fuel pieces, n, in test fuel load per 8,4,1, wet basis, lb (kg)
MC_{FLn}	Average fuel moisture of test fuel piece, n , in test fuel load % dry basis
n	individual test fuel pieces that comprise the test fuel load, as applicable

Sample calculation**Data**

M_{FLnwb}	26,42 lbs
MC_{FLn}	22,49 %
n	
M_{FLdb}	21,57 lbs

Equation 9,2 (2)

$$M_{SUDb} = \sum (M_{SUnwb}) (100) / (100 + MC_{SUn})$$

Nomenclature

M_{SUDb}	Weight of startup fuel, dry basis, lb (Kg)
M_{SUnwb}	Weight of each start-up fuel pieces, n, per 8,5,7, wet basis, lb (Kg)
MC_{SUn}	Average fuel moisture of start-up fuel piece, n % bry basis
n	individual startup fuel pieces, as applicable

Sample calculation**Data**

M_{SUnwb}	6,50 lbs
MC_{SUn}	20 %
n	
M_{SUDb}	5,42 lbs

$$\text{Equation 9,2 (3)} \quad M_{kdb} = (M_{kwb})(100)/(100 + MC_k)$$

Nomenclature

M_{kdb}	Weight of kindling, dry basis lb (kg)
M_{kwb}	Weight of kindling per 8,5,6, wet basis, lb (kg)
MC_k	Average moisture of kindling % dry basis

Sample calculation

Data

M_{kwb}	5,00 lbs
MC_k	9,00 %
M_{kdb}	4,59 lbs

$$\text{Equation 9,2 (4)} \quad M_{FREHdb} = M_{RSUBdb} + M_{FLEHdb}$$

Nomenclature

M_{FREHdb}	Total weight of all remaining fuel at end of high fire test run, lb (kg)
M_{RSUBdb}	Weight of residual start-up fuel bed when high fire test load added, lb(kg)
M_{FLEHdb}	Weight of unburned portion of test fuel load at the end of the high fire test run, lb (kg)

Sample calculation

Data

M_{RSUBdb}	3,50 lbs
M_{FLEHdb}	2,50 lbs
M_{FREHdb}	6,00 lbs

Equation 9,2 (5)
$$M_{TFBHdb} = M_{Kdb} + M_{SUdb} + M_{FLdb} - M_{FREHdb}$$

Nomenclature

- M_{TFBHdb} Total weight of all fuel burned during high fire test run lb (kg), dry basis
- M_{FREHdb} Total weight of all remaining fuel at end of high fire test run, lb (kg)
- M_{FLdb} Weight of test fuel load, dry basis lb (kg)
- M_{SUdb} Weight of startup fuel, dry basis, lb (Kg)
- M_{kdb} Weight of kindling, dry basis lb (kg)

Sample calculation

Data

M_{FREHdb}	6,00 lbs
M_{FLdb}	21,57 lbs
M_{SUdb}	5,42 lbs
M_{kdb}	4,59 lbs
M_{TFBHdb}	25,57 lbs

Equation 9,2 (6)
$$BR_H = 60(M_{FLdb} - M_{FLEHdb})/\theta_{H1}$$

Nomenclature

- BR_H Dry burn rate for high fire test run, from time when test fuel load added to end of test run
- θ_{H1} Total duration of high fire test run, from time when test fuel load is added to end of test r
- M_{FLdb} Weight of test fuel load, dry basis lb (kg)
- M_{FLEHdb} Weight of unburned portion of test fuel load at the end of the high fire test run, lb (kg)

Sample calculation

Data

θ_{H1}	99 min
M_{FLdb}	21,57 lbs
M_{FLEHdb}	2,50 lbs
BR_H	5,24 kg/hr

For low and medium burn fire test run

Equation 9,2 (7)
$$M_{TFBdb} = M_{FLdb} - M_{FREdb}$$

Nomenclature

M_{TFBdb}	Total weight of fuel burned during low or medium fire test run, lb (kg),dry basis
M_{FREdb}	Weight of remaining fuel at end of low or medium fire test run, lb (kg)
M_{FLdb}	Weight of test fuel load, dry basis lb (kg)

Sample calculation

Data

M_{FREdb}	0,00 lbs
M_{FLdb}	25,76 lbs
M_{TFBdb}	25,76 lbs

Equation 9,2 (8)
$$BR = 60(M_{MTBdb}) / \theta$$

Nomenclature

BR	Dry burn rate for low and medium fire test run. lb/hr (kg/hr)
θ	Total duration of low or medium fire test run, min.
M_{TFBdb}	Total weight of fuel burned during low or medium fire test run, lb (kg),dry basis

Sample calculation

Data

θ	491 min
M_{TFBdb}	25,76 lbs
BR _H	1,43 kg/hr

For high test run
Equation 9,2 (9)

$$PM_{RH} = 60(E_{TH}/\theta_{H2})$$

Nomenclature

PM_{RH} Particulate emission rate for high fire test run, gr/hr
 E_{TH} Total particulate emissions for high fire test run including kindling and start-up
 θ_{H2} Total test duration of high fire test run, from ignition of kindling to end of test run

Sample calculation

Data

E_{TH} 7 gr
 θ_{H2} 131,00 min
 PM_{RH} 3,21 kg/hr

Equation 9,2 (10)

$$PM_{FH} = E_{TH}/M_{TFBHdb}$$

Nomenclature

PM_{FH} Particulate emission rate for high fire test run, gr/hr

Sample calculation

Data

E_{TH} 7 gr
 M_{TFBHdb} 25,57 dry lb
 PM_{RH} 0,60 gr/dry kg

for high fire test run
Equation 9,2 (11)

$$PM_{btuH} = E_{TH} / (M_{TFBHdb} * (HHV) \left(\frac{n_r}{100} \right)) * (10^6)$$

Nomenclature

PM_{btuH} Particulate per heat output unit for high fire test run, lb/ MMbtu
 HHV Higher heating value of test fuel, dry basis, btu/lb
 n_r CSA B415,1 overall Efficiency, HHV (hot to hot)

Sample calculation

Data

E_{TH} 7,0 gr
 M_{TFBHdb} 25,57 dry lb
 HHV 8690 btu/lb
 n_r 68,63%

 PM_{btuH} 0,1013 lb/Mmbtu

Equation 9,2 (12)

$$PM_R = 60(E_T/\theta)$$

Nomenclature

PM_R Particulate emission rate for low or medium fire test run, gr/hr
 E_T Total particulate emission for low or medium fire test run, from ASTM E 2515 (g)
 θ Total duration of low or medium fire test run, min.

Sample calculation

Data

E_T 7 gr
 θ 491 min

 PM_{RH} 0,82 gr/hr

Equation 9,2 (13)
$$PM_F = E_T / M_{TFBdb}$$

Nomenclature

PM_F Particulate emission factor rate for low or medium fire test run, gr/dry kg

Sample calculation

Data

E_T 6,7 gr
 M_{TFBdb} 25,76 dry lb
 PM_F 0,57 gr/dry kg

for high fire test run

Equation 9,2 (14)
$$PM_{btu} = E_T / (M_{TFBdb} (HHV) (\frac{n_r}{100})) * (10^6)$$

Nomenclature

$Pmbtu$ Particulate per heat output unit for low and medium test run, lb/ MMbtu
 HHV Higher heating value of test fuel, dry basis, btu/lb
 n_r CSA B415,1 overall Efficiency, HHV (hot to hot)

Sample calculation

Data

E_{TH} 6,7 gr
 M_{TFBHdb} 25,76 dry lb
 HHV 8690 btu/lb
 n_r 72,22%
 PM_{btuH} 0,0914 lb/Mmbtu

Volume of gas sample corrected to dry standard conditions ($V_{m(std)}$)

Equation used

ASTM 2515, equation 6

$$V_{m(std)} = K_1 V_m Y \left[\frac{P_{bar} + \left(\frac{\Delta H}{13.6} \right)}{T_m} \right]$$

Nomenclature

$V_{m(std)}$	Volume of gas sample , corrected to standard conditions, dscm ³ (dscf)
K_1	17.64 R/in Hg
V_m	Volume of gas sample
Y	DGM calibration factor
P_{bar}	Barometric pressure mmHg (in Hg)
ΔH	Average pressure at the outlet of the dry gas meter mm water (in. Water)
T_m	Absolute average dry gas meter temperature K (R)

Sample calculation

Data

V_m	74,32 dcf
Y	0,990225
P_{bar}	30,18 in Hg
ΔH	-0,6013 in Hg
T_m	536,8 R

Calculation

$V_{m(std)}$	71,52 dscf
Calculation based of train 2 data Low fire	

Total amount of particulate matter collected (m_n)

Equation used

ASTM 2515, equation 12

$$m_n = F_1 + F_2 + \Delta PF$$

Nomenclature

m_n	Total amount of particulate matter collected, mg
F_1	Particulate matter collected on front filter, mg
F_2	Particulate matter collected on second filter, mg
ΔPF	Post-test weight gain of probe and filter holder assembly, mg

Sample calculation

Data

F_1	0,0024 g
F_2	0,000 g
ΔPF	0,000 g

Calculation

m_n	2,800 mg
-------	----------

Calculation based of train 2 data Low fire

Particulate concentration (C_s)

Equation used

ASTM 2515, equation 13

$$C_s = (0,001 \text{ g/mg}) \times \left(\frac{m_n}{V_{m(\text{std})}} \right)$$

Nomenclature

C_s	Concentration of particulate matter in stack gas or dilution tunnel, dry basis, corrected to standard conditions, g/dsm ³ (g/dscf)
m_n	Total amount of particulate matter collected in the sampling train, mg
$V_{m(\text{std})}$	Volume of gas sample measured corrected to dry standard conditions, dsm ³ (dscf)

Sample calculation

Data

m_n	2,800 mg
$V_{m(\text{std})}$	71,52 dscf

Calculation

C_s	0,000039 g/dscf
Calculation based of train 2 data Low fire	

Particulate concentration for room air (C_r)

Equation used

ASTM 2515, equation 14

$$C_r = (0,001 \text{ g/mg}) \times \left(\frac{m_r}{V_{mr(std)}} \right)$$

Nomenclature

C_r	Concentration of particulate matter in room air, dry basis, corrected to standard conditions, g/dsm ³ (g/dscf)
m_r	Total amount of particulate matter collected in the sampling train, mg
$V_{mr(std)}$	Volume of room air sample measured corrected to dry standard conditions, dsm ³ (dscf)

Sample calculation

Data

m_r	0,200 mg
$V_{mr(std)}$	111,41 dscf

Calculation

C_r	0,000002 g/dscf
Calculation based of train 2 data low	

Adjustment factor for alternative pitot tube placement (FP)

Equation used

ASTM 2515, equation 1

$$F_P = \frac{V_{strav}}{V_{scent}}$$

Nomenclature

V_{strav}	Average gas velocity cacluated after the Pitot tube traverse
V_{scent}	Average gas velocity at the center of the dilution tunnel cacluated after the multi-point Pitot traverse
F_P	Adjustment factor for center of tunnel pitot tube placement

Sample calculation

Data

V_{strav}	0,270509207
V_{scent}	0,283723851

Calculation

F_P	0,953424
-------	----------

Average dilution tunnel gas velocity (V_S)

Equation used

ASTM 2515, equation 9

$$V_S = F_p K_p C_p (\sqrt{\Delta P})_{avg} \sqrt{\frac{T_S}{P_S M_S}}$$

Nomenclature

V_S	Average dilution tunnel gas velocity, m/s (ft/s)
K_p	Pitot tube constant For the metric units: $34.97 \text{ m/sec} \left[\frac{(\frac{\text{g}}{\text{g-mole}})(\text{mm Hg})}{(^{\circ}\text{K})(\text{mm H}_2\text{O})} \right]^{1/2}$ For English units: $85.49 \text{ ft/sec} \left[\frac{(\frac{\text{lb}}{\text{lb-mole}})(\text{in Hg})}{(^{\circ}\text{R})(\text{in H}_2\text{O})} \right]^{1/2}$
C_p	Pitot tube coefficient (use 0.99 for standard pitot tube, 0.84 may be used for S-type tubes constructed according to Method 2 specifications)
F_p	Pitot tube correction factor
$(\sqrt{\Delta P})_{avg}$	Average square root of each individual velocity head (ΔP)
P_{bar}	Barometric pressure at measurement site, mm H ₂ O (in. H ₂ O)
P_g	Stack static pressure, mm Hg (in. Hg)
P_S	Absolute dilution tunnel static gas pressure, mm Hg (in. Hg), or $P_{bar} + P_g$
M_S	Molecular weight of dilution tunnel gas, wet basis, g/g-mole (lb/lb-mol) may be assumed to be 28.78 or 29 for CSA B415
t_s	Dilution tunnel temperature, °C (°F)
T_S	Absolute dilution tunnel temperature, °K (°R), or 273 + t_s for metric units, 460 + t_s for English units

Sample calculation

Data

K_p	85,49
C_p	0,99
F_p	0,953
$(\sqrt{\Delta P})_{avg}$	0,2819 in H ₂ O ^{1/2}
P_{bar}	30,18 in Hg
P_g	0,28 in H ₂ O
P_S	30,20 in Hg
M_S	28,78 lb/lb-mol
t_s	88,33 F
T_S	548,33 R

Calculation

V_S	18,0673 ft/s
	Calculation based of data low

Average dilution tunnel gas flow rate (Qstd)

Equation used

ASTM 2515, equation 3

$$Q_{std} = 60(1 - B_{WS})V_S A \left(\frac{T_{std}}{T_S} \right) \left(\frac{P_S}{P_{std}} \right)$$

Nomenclature

Q_{std}	Total gas flow rate corrected to dry standard conditions, dsm^3/min (dscf/min)
60	Conversion factor minutes per hour
B_{WS}	Water vapour in the dilution tunnel stream, proportion by volume (may be assumed to be 2%)
V_S	Average dilution tunnel gas velocity, m/s (ft/s)
A	Cross-sectional area of dilution tunnel, m^2 (ft^2)
T_{std}	Standard absolute temperature, 293 °K (528°R)
T_S	Absolute average dilution tunnel temperature, °K (°R), or $273 + t_s$ for metric units, $460 + t_s$ for English units
t_s	Dilution tunnel temperature, °C (°F)
P_S	Absolute dilution tunnel static gas pressure, mm Hg (in. Hg), or $P_{bar} + P_g$
P_{bar}	Barometric pressure at measurement site, mm Hg (in. Hg)
P_g	Dilution tunnel static pressure, mm Hg (in. Hg)
P_{std}	Standard absolute pressure, 760 mm Hg (29.92 in. Hg)

Sample calculation

Data

B_{WS}	0,02
V_S	18,067
A	0,349 ft^2
T_{std}	528 R
T_S	548,33 R
P_S	30,200 in Hg
P_{std}	29,92 in Hg

Calculation

Q_{std}	360,43 dscf/min
Calculation based of data low	

Particulate emission rate (E)

Equation used

$$E = (C_S - C_r)Q_{std}$$

Nomenclature

E	Particulate emission rate, g/hr
C_S	Concentration of particulate matter in stack gas or dilution tunnel gas, dry basis corrected to standard conditions, g/dscm ³ (g/dscf)
C_r	Concentration of particulate matter in room air, g/dscm ³ (g/dscf)
Q_{std}	Total gas flow rate, dry basis corrected to standard conditions, dsm ³ /min (dscf/min)

Sample calculation

Data

C_S	0,000039 g/dscf
C_r	0,000002 g/dscf
Q_{std}	360,43 dscf/min

Calculation

E	0,01 g/min
E	0,81 g/h

Calculation based on train 2 data low

Total particulate emission rate (E_T)

Equation used

ASTM 2515, equation 15

$$E_T = (C_S - C_r) Q_{std} \theta$$

Nomenclature

E_T	Total particulate emission, g
C_S	Concentration of particulate matter in stack gas or dilution tunnel gas, dry basis corrected to standard conditions, g/dscm ³ (g/dscf)
C_r	Concentration of particulate matter in room air, g/dscm ³ (g/dscf)
Q_{std}	Total gas flow rate, dry basis corrected to standard conditions, dsm ³ /min (dscf/min)
θ	Total sampling time, min

Sample calculation

Data

C_S	0,000039 g/dscf
C_r	0,000002 g/dscf
Q_{std}	360,43 dscf/min
θ	491 min

Calculation

E 6,61 g
Calculation based on train 2 data Low

Average gas velocity in dilution tunnel during each min interval, i, of the test run

Equation used

ASTM 2515, equation 10

$$v_{si} = F_p K_p C_p \sqrt{\Delta p_i} \sqrt{\frac{T_{si}}{P_s M_s}}$$

Nomenclature

	Average gas velocity in dilution tunnel during each min interval, i of the test run
v_{si}	m/sec (ft/sec)
F_p	Pitot tube correction factor
K_p	Pitot tube constant
	For the metric units: $34.97 \text{ m/sec} \left[\frac{(\frac{g}{\text{mole}})(\text{mm Hg})}{(^{\circ}\text{K})(\text{mm H}_2\text{O})} \right]^{1/2}$
	For English units: $85.49 \text{ ft/sec} \left[\frac{(\frac{\text{lb}}{\text{mole}})(\text{in Hg})}{(^{\circ}\text{R})(\text{in H}_2\text{O})} \right]^{1/2}$
C_p	Pitot tube coefficient (use 0.99 for standard pitot tube, 0.84 may be used for S-type tubes constructed according to Method 2 specifications)
Δp_i	interval, i, of the test run
T_{si}	Absolute average gas temperature in the dilution tunnel during the i^{th} minutes
P_s	Absolute dilution tunnel static gas pressure, mm Hg (in. Hg), or $P_{\text{bar}} + P_g$
M_s	Molecular weight of dilution tunnel gas, wet basis, g/g-mole (lb/lb-mol) may be assumed to be 28.78

Sample calculation

Data

i=1		i=2	
F_p	0,953	F_p	0,953
K_p	85,49	K_p	85,49
C_p	0,99	C_p	0,99
Δp_i	0,079 in H ₂ O	Δp_i	0,081 in H ₂ O
T_{si}	583,5 R	T_{si}	566,2 R
P_s	30,20 in Hg	P_s	30,20 in Hg
M_s	28,78 lb/lb-mol	M_s	28,78 lb/lb-mol

Calculation

i=1		i=2	
v_{si}	18,55 ft/sec	v_{si}	18,50 ft/sec

Percent of proportional sampling rate (PR)

Equation used

B415, equation 13.1

$$PR = \left(\frac{\theta V_{mi(std)} V_S T_m T_{Si}}{\theta_i V_m V_{Si} T_{mi} T_S} \right) \times 100$$

Nomenclature

PR	Percent of proportional sampling rate (%)
θ	Total sampling time, min
θ_i	Time of interval, 1 min
V_m	Volume of gas sample measured by the DGM, dsm ³ (dscf)
$V_{mi(std)}$	Volume of gas sample measured by the digital mass flow controller during the i th 1 minutes interval, dsm ³ (dscf)
V_S	Average gas velocity in the dilution tunnel, ft/min
V_{Si}	Average gas velocity in the dilution tunnel during the i th 10 minutes interval, ft/min
T_m	Absolute average digital mass flow controller temperature, K (R)
T_{mi}	Absolute average digital mass flow controller temperature during the i th 1 minutes
T_S	Absolute average gas temperature in the dilution tunnel, K (R)
T_{Si}	Absolute average gas temperature in the dilution tunnel during the i th 1 minutes

Sample calculation

Data

train =1			train =2		
θ	491	min	θ	491	min
θ_i	1	min	θ_i	1	min
V_m	84,83	dcf	V_m	71,55	dcf
$V_{mi(std)}$	0,174	cuft	$V_{mi(std)}$	0,1491	cuft
V_S	18,08	ft/sec	V_S	18,08	ft/sec
V_{Si}	18,559	ft/sec	V_{Si}	18,559	ft/sec
T_m	536,7	R	T_m	536,8	R
T_{mi}	539,55	R	T_{mi}	539,44	R
T_S	548,33	R	T_S	548,33	R
T_{Si}	583,5	R	T_{Si}	583,5	R

Calculation

train=1		train=2	
PR	104,0 %	PR	105,5 %

Filter face velocity check

Equation used

$$FV_{max} = \frac{V_{mL}}{1} \times \frac{1}{F_A}$$

Nomenclature

FV_{max}	Maximum filter face velocity during the test run, m/min (ft/min)
V_{mL}	Largest 1 minute interval metered gas volume value recorded during the test run, dm ³ (dcf)
F_A	Filter area exposed to gas sample during train operation, m ² (ft ²)

Sample calculation

Data

V_{mL}	0,147 dcf
F_A	0,0116 ft ²

Calculation

FV_{max}	12,70 ft/min
------------	--------------

Dual train precision

Equation used

$$\frac{\text{Train 1} - \text{average train 1 and train 2}}{\text{average train 1 and train 2}} \times 100 \leq 7.5\%$$

Nomenclature

Dual train precision	Deviation between emission's train 1 and 2
Train 1	Total emission for train 1
Train 2	Total emission for train 2

Sample calculation

Data

Train 1	6,78 g
Train 2	6,61 g

Calculation

Dual train precision	1,25 %
----------------------	--------

Analyzer drift checks

Equation used

$$Drift = \frac{\Delta R}{span} \times 100$$

Nomenclature

Drift	The change in analyzer response to calibration gas over the duration of the test run
ΔR	The difference between the analyzer response at the end of the test run and the
Span	The upper limit of the instrument range, ppmv or %

Sample calculation

Data

ΔR	0,015 %
Span	5 %

Calculation

Drift	0,30 %
-------	--------

Calculated with CO concentration values.

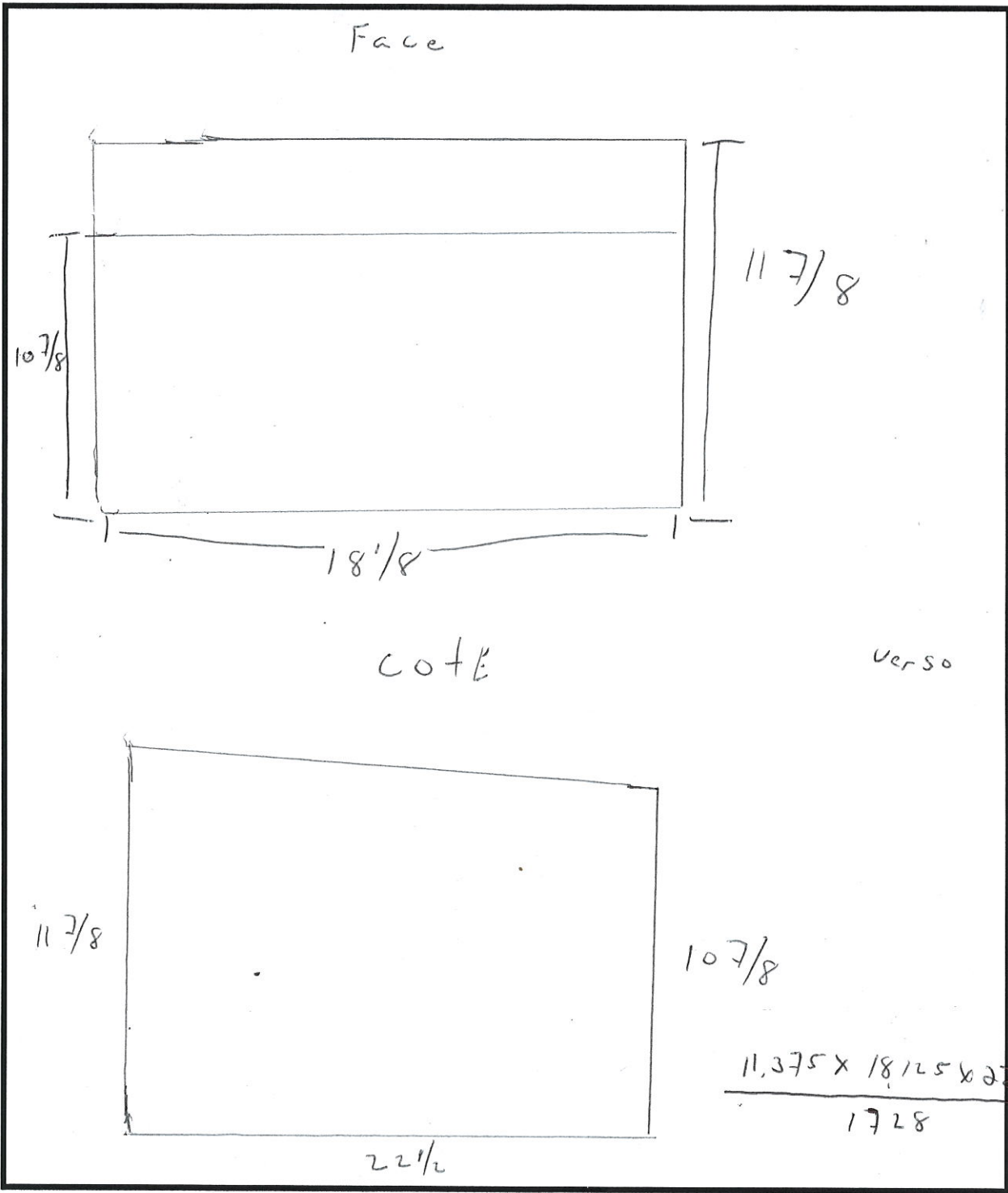
APPENDIX 12: Volume calculations

Date
 2019-11-04

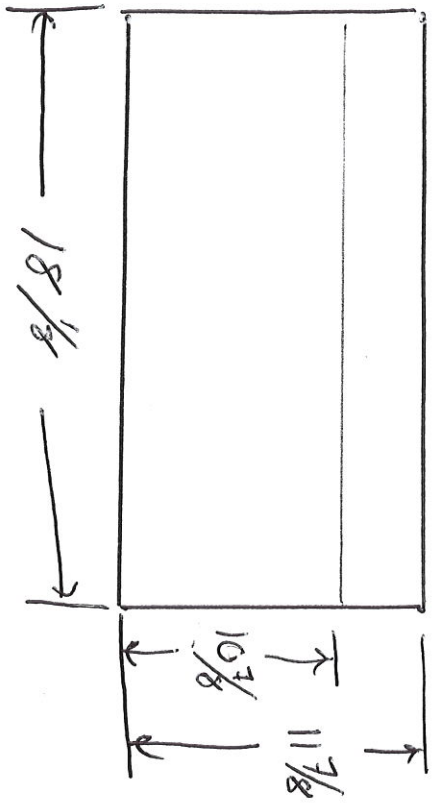
Projet
 P-1430

M.M.

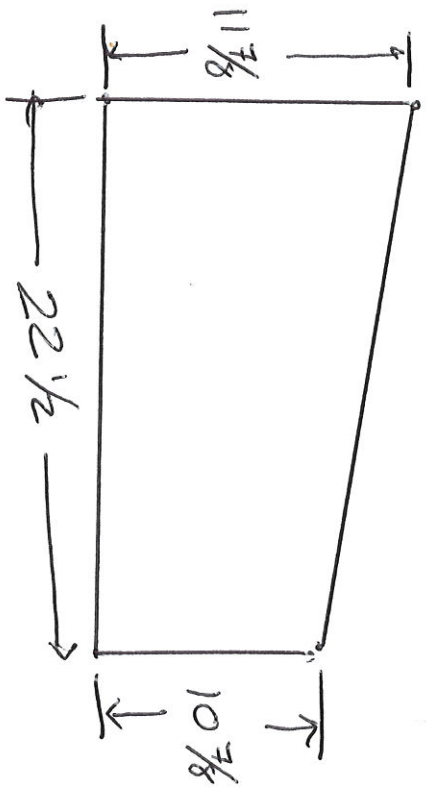
Numéro
 12007



Front view



Side view



$$\left(\frac{11\frac{7}{8} + 10\frac{7}{8}}{2} \right) \times 22\frac{1}{2} \times 18\frac{7}{8}$$
$$= \frac{1728 \frac{10^3}{ft^3}}{}$$

$$= 2,688 \text{ ft}^3$$

APPENDIX 13: Operating instruction

TR007E

Operating instruction for High burn rate Cord wood method ALT-125, ASTM E3053

- Start the fire with approximately 6.5 lbs. of startup fuel, 5 lbs. of kindling.
- Close the door immediately
- When left approximately 3.5 lbs. from the startup load, the high burn rate load can be inserted.
- The high burn rate load can be up to 26.5 lbs, open the door, load the stove with high burn load.
- Door can be close immediately.
- Fan can be turned ON

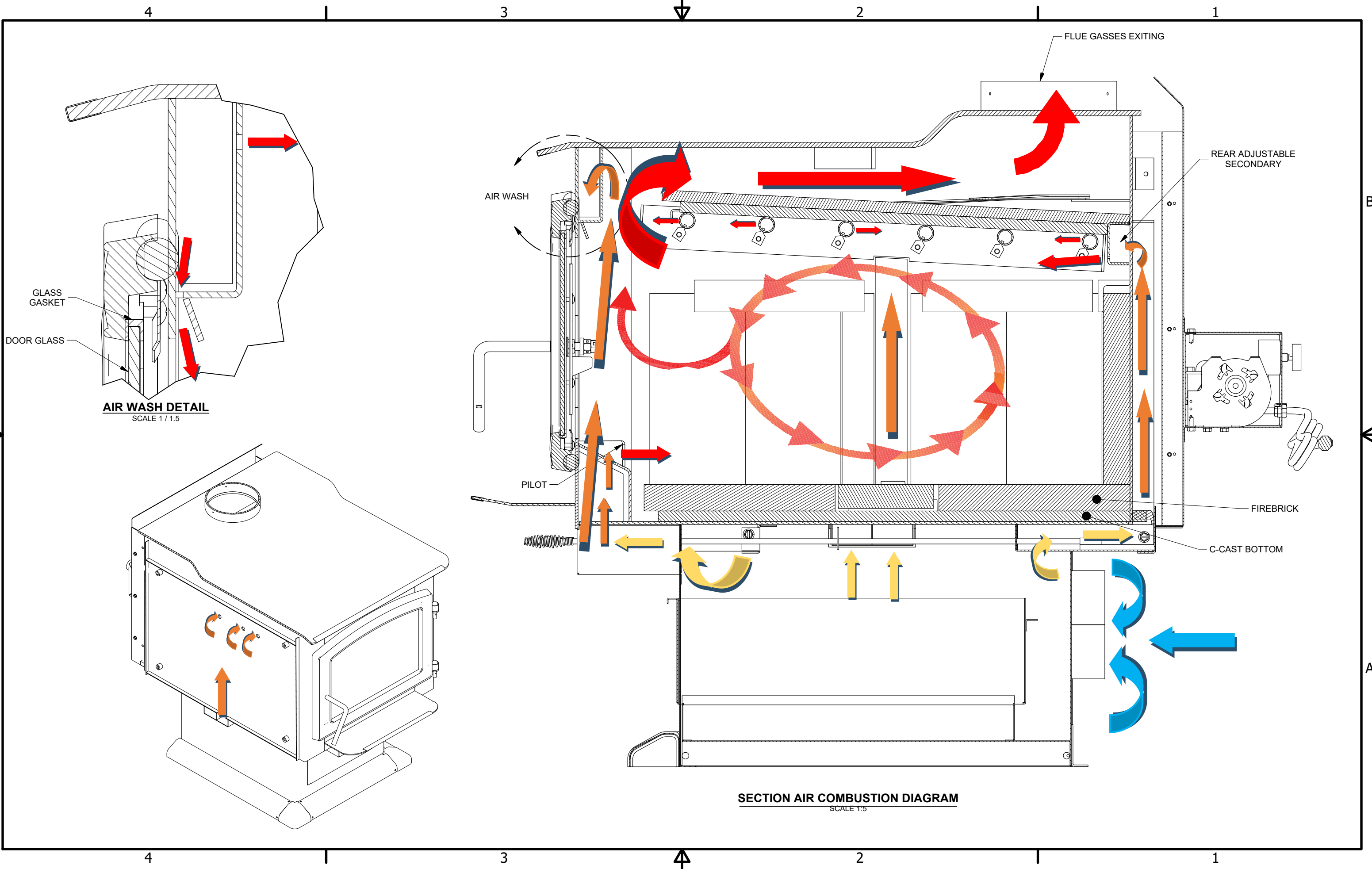
Operating instruction for Medium burn rate Cord wood method ALT-125, ASTM E3053

- From the high burn rate coal bed, when 4.1 lbs. left, the load can be inserted in the firebox.
- open the door
- Insert the 31.5 lbs. load in the firebox
- Keep the door slightly open for two minutes
- Keep the secondary air combustion air damper fully open for 10 minutes then close completely and set the primary damper to half way
- At 15 minutes, set the primary air inlet to medium setting, which is about ½ inch open from the fully closed position.(fully closed is with the airslide pulled out toward you.)
- After 25 minutes the fan turns ON

Operating instruction for Low burn rate Cord wood method ALT-125, ASTM E3053

- From the high burn rate coal bed, when 4 lbs. left, the load can be inserted in the firebox.
- open the door
- Insert the 31.5 lbs. load in the firebox
- Keep the door slightly open for two minutes
- Keep the secondary air combustion air damper fully open for 10 minutes then close completely and set the primary damper to half way
- At 15 minutes set the primary air inlet to minimum setting.
- After 30 minutes the fan turns ON

APPENDIX 14: Drawing Air flow pattern



4

3

2

1

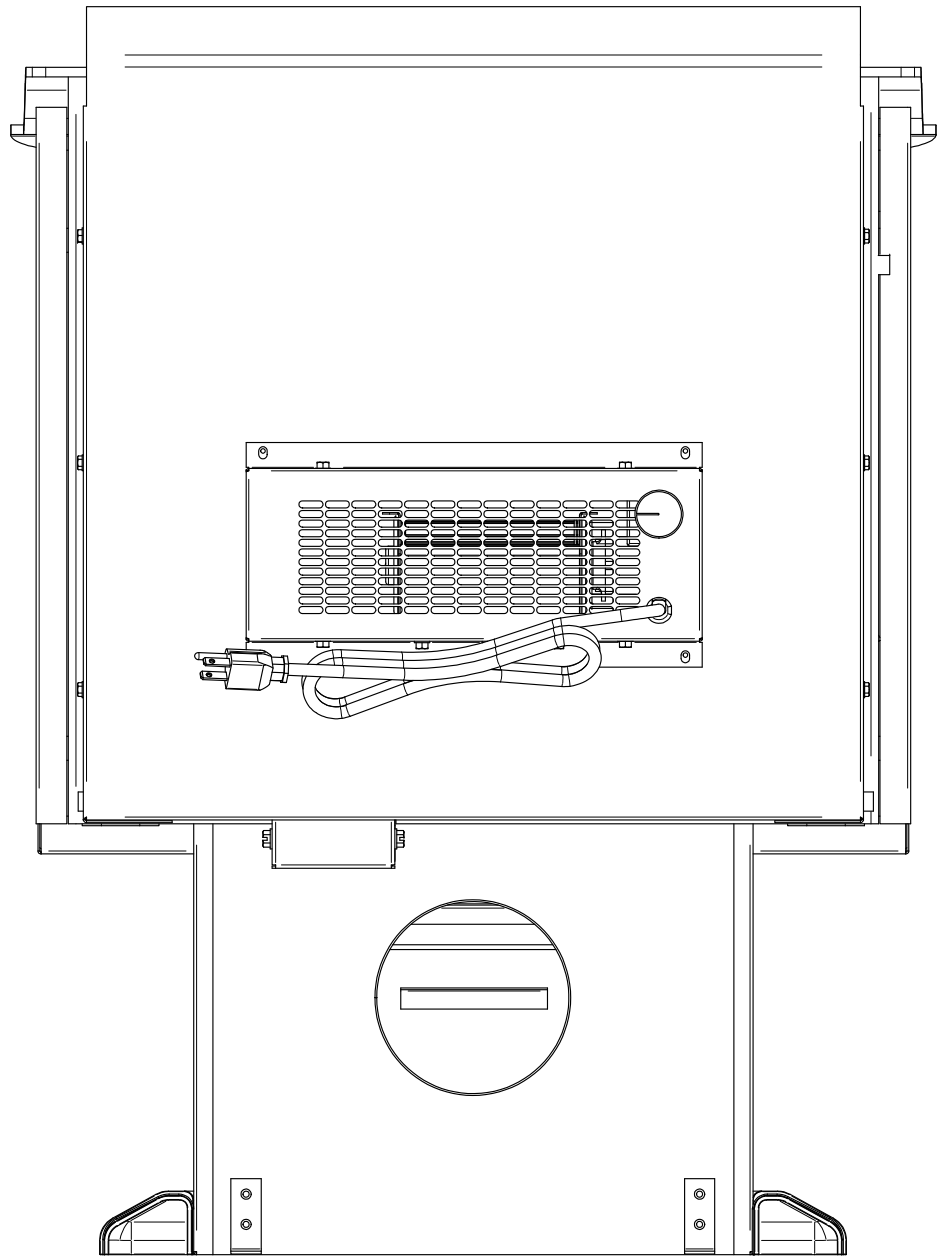
B

B



A

A



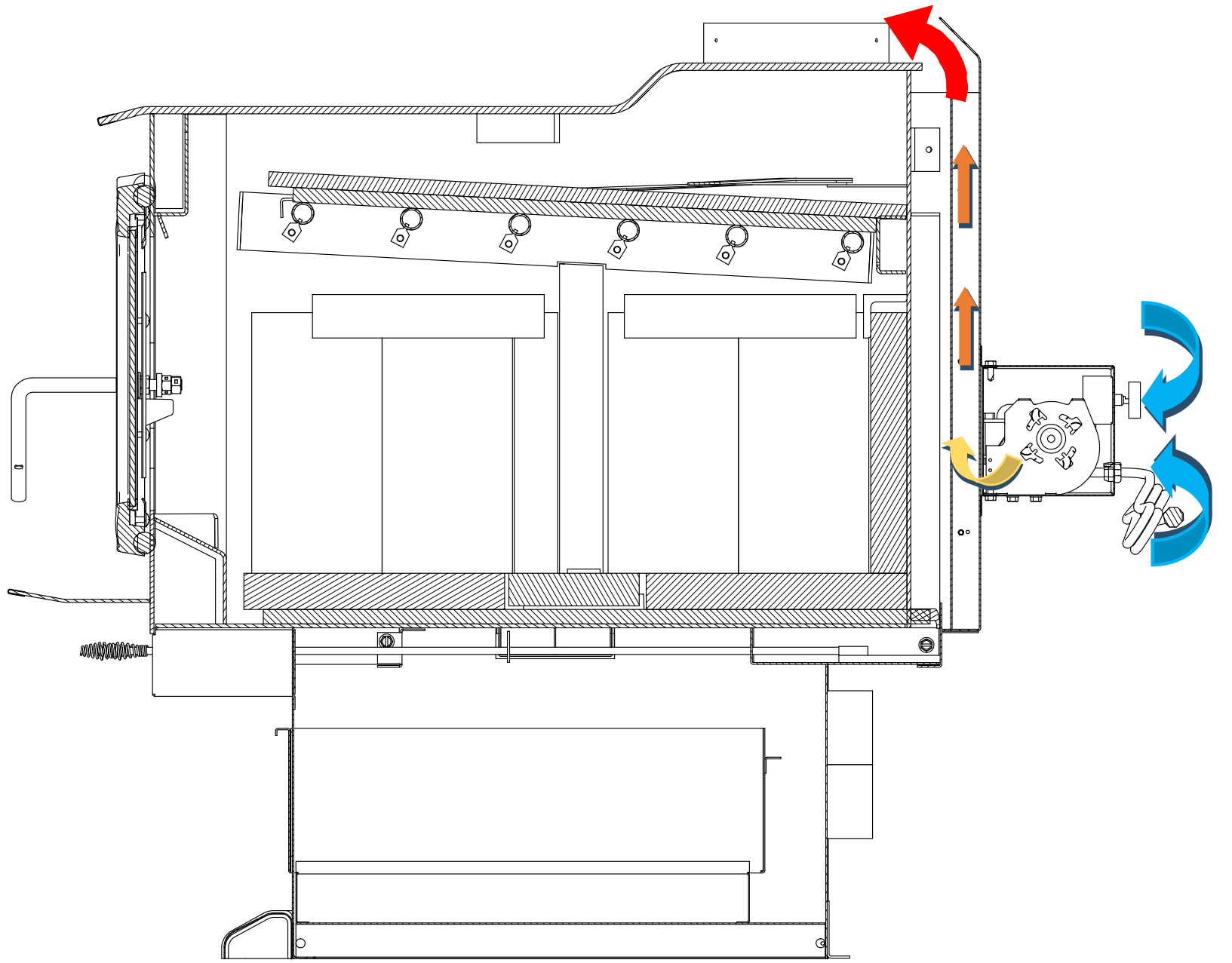
REAR VIEW
SCALE 1:5

4

3

2

1



SECTION AIR DISTRIBUTION DIAGRAM
SCALE 1:5

APPENDIX 15: Application for wood stove program



UNITED STATES ENVIRONMENTAL PROTECTION AGENCY
RESEARCH TRIANGLE PARK, NC 27711

FEB 28 2018

Mr. Justin White
Hearthstone QHPP, Inc.
#17 Stafford Ave.
Morrisville, VT 05661

OFFICE OF
AIR QUALITY PLANNING
AND STANDARDS

Dear Mr. White,

I am writing in response to your letter dated January 12, 2018, regarding wood heaters manufactured by Hearthstone QHPP, Inc. (Hearthstone). This response, dated February 28, 2018, supercedes our previous response (dated February 26, 2018) to correct an inaccuracy regarding required changes to ASTM E3053-17.

You are requesting to use an alternative test method, using cord wood, as referenced in section 60.532(c) of 40 CFR part 60, Subpart AAA, Standards of Performance for New Residential Wood Heaters (Subpart AAA) to meet the 2020 cord wood alternative compliance option. The 2020 cord wood alternative compliance option states that each affected wood heater manufactured or sold at retail for use in the United States on or after May 15, 2020, must not discharge into the atmosphere any gases that contain particulate matter in excess of 2.5 g/hr. Compliance must be determined by a cord wood test method approved by the Administrator along with the procedures in 40 CFR 60.534. You have requested approval to use the procedures and specifications found in ASTM Method E3053-17, a cord wood test method titled, "Standard Test Method for Determining Particulate Matter Emissions from Wood Heaters using Cordwood Test Fuel," in conjunction with ASTM E2515-11 and Canadian Standards Administration (CSA) Method CSA-B415.1-10, which are specified in 40 CFR 60.534.

We understand that Hearthstone is also requesting that the alternative method proposed above be approved to apply broadly to all wood heaters manufactured by Hearthstone meeting the requirements of Subpart AAA, from the approval date of this request until such time that Subpart AAA is revised or replaced to require a different cord wood certification method, providing all requirements of section 60.533 of Subpart AAA are met.

With the caveats set forth below, we approve your alternative test method request for certifying wood heaters using ASTM E3053-17 in conjunction with section 60.534 of Subpart AAA to meet the 2020 cord wood compliance option until such time that Subpart AAA is revised or replaced to require a different cord wood certification method. We also approve application of this alternative method to all wood heaters manufactured by Hearthstone meeting the requirements of Subpart AAA.

As required in Subpart AAA, section 60.354(d), you or your approved test laboratory must also measure the first hour of particulate matter emissions for each test run using a separate filter in one of the two parallel sampling trains. These results must be reported separately and also included in the total particulate matter emissions per run. Also, as required by Subpart AAA, section 60.534(e), you must have your approved laboratory measure the efficiency, heat output, and carbon monoxide emissions of the tested wood heater using CSA-B415.1-10. For measurement of particulate matter emission concentrations, ASTM 2515-11 must be used.

The following change to ASTM E3053-17 must be followed:

1. Coal bed conditions prior to loading test fuel. The coal bed shall be a level plane without valleys or ridges for all test runs in the high, low, and medium burn rate categories.

The following changes to ASTM E2515-11 must be followed:

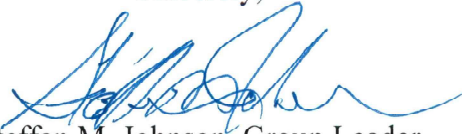
1. The filter temperature must be maintained between 80 and 90 degrees F during testing.
2. Filters must be weighed in pairs to reduce weighing error propagation; see ASTM 2515-11, Section 10.2.1 Analytical Procedure.
3. Sample filters must be Pall TX-40 or equivalent Teflon-coated glass fiber, and of 47 mm, 90 mm, 100 mm, or 110 mm in diameter.
4. Only one point is allowed outside the +/- 10 percent proportionality range per test run.

A copy of this letter must be included in each certification test report where this alternative test method is utilized.

It is reasonable that this alternative test method approval be broadly applicable to all wood heaters subject to the requirements of 40 CFR part 60, Subpart AAA. For this reason, we will post this letter as ALT-125 on our website at <http://www3.epa.gov/ttn/emc/approalt.html> for use by other interested parties. As noted earlier in this letter, this alternative method approval is valid until such time that Subpart AAA is revised or replaced to require a different cord wood certification method, and at such time, this alternative will be reconsidered and possibly withdrawn.

If you have additional questions regarding this approval, please contact Michael Toney of my staff at 919-541-5247 or toney.mike@epa.gov.

Sincerely,



Steffan M. Johnson, Group Leader
Measurement Technology Group

cc: Amanda Aldridge, EPA/OAQPS/OID
Adam Baumgart-Getz, EPA/OAQPS/OID
Rafael Sanchez, EPA/OECA
Michael Toney, EPA/OAQPS/AQAD

Test Report Problems or Irregularities

Inconsistent Information – Firebox Volume and Calculations.

Regulatory Citation

40 C.F.R. § 60.533(b)(3) and 40 C.F.R. § 60.533(b)(5).

Information Needed to Address Problems or Irregularities

The test report, p. 10, documents the firebox dimension as 2.57 ft³. However, on pp. 5 and 8, the test report documents the firebox volume to be 2.68 ft³. In the revised test report, provide the correct firebox volume. In addition, provide firebox volume calculations.

P.10 Firebox volume 2.68 cuft

Missing or Incomplete Information – Photos of Test Run Fuel Load.

40 C.F.R. § 60.533(b)(5).

In the revised test report include photos of each test run fuel load. The photos must be sufficiently clear and amplified to allow evaluation of the test fuel loads.

Appendix 9 updated

Missing Information in Owner’s Manual – Proper Operation at Low Burn Rate.

40 C.F.R. § 60.536(g)(3).

Include in the revised test report a revised Owner’s Manual that includes information on proper operation at a low burn rate, including minimum burn rate value.

burn operation on page 12 of the manual was already there.

Missing or Incomplete Information - Documentation of Lowest Burn Rate.

40 C.F.R. § 60.537(a)(2)

In the revised test report include documentation of the air control settings used for the lowest burn rate test. Such documentation must confirm the lowest burn rate at which a device may be

was addressed in the revision dated 2/24/21 -see Run #1.2 on page 13 of report



UNITED STATES ENVIRONMENTAL PROTECTION AGENCY
WASHINGTON, D.C. 20460

OFFICE OF
ENFORCEMENT AND
COMPLIANCE ASSURANCE

May 16, 2022

Mr. John D. Voorhees
Vice President of Compliance
United States Stove Company
227 Industrial Park Road
South Pittsburg, Tennessee 37380

Re: Request for Revised Certification Test Report to Address Documentation Problems or Irregularities – TR007E, US3200E, VG3200, and AW3200E Non-Catalytic Cord Wood Heater Models; Certificate of Compliance Number 253-20

Dear Mr. Voorhees:

The United States Environmental Protection Agency (EPA) has completed a post-certification review of the United States Stove Company certification test report, dated February 14, 2020¹, and submitted in order to obtain a Certificate of Compliance for the above-referenced wood heater models. As discussed below, this review found problems or irregularities in the revised test report documentation. EPA is requesting that you address these problems or irregularities by further revising the test report to include all required information pertaining to a valid certification test. If a revised test report is not submitted as requested and within the time allotted, EPA may at its discretion determine that the certification test was not valid, which would serve as the basis for revoking the Certificate of Compliance in accordance with the 2015 Wood Heater Rule at 40 C.F.R. § 60.533(l).

The 2015 Wood Heater Rule authorizes EPA to issue a Wood Heater Certificate of Compliance upon a manufacturer submitting all required documentation pertaining to a valid certification test. Such documentation must include a complete test report providing information for all test runs, including raw data sheets, laboratory technician notes, calculations, and test results. In addition, the documentation must include the items specified in the applicable test methods. *See* 40 C.F.R. § 60.533(b)(5). Upon subsequent review of the certification test report, however, EPA determined that certain required test report information was missing and/or require clarification. Therefore, EPA requests that you revise the test report to include the following additional information to maintain the Certificate of Compliance for the above-referenced models.

¹ Revised on February 24, 2021 and September 15, 2021.

Test Report Problems or Irregularities	Regulatory Citation	Information Needed to Address Problems or Irregularities
Inconsistent Information – Firebox Volume and Calculations.	40 C.F.R. § 60.533(b)(3) and 40 C.F.R. § 60.533(b)(5).	The test report, p. 10, documents the firebox dimension as 2.57 ft ³ . However, on pp. 5 and 8, the test report documents the firebox volume to be 2.68 ft ³ . In the revised test report, provide the correct firebox volume. In addition, provide firebox volume calculations.
Missing or Incomplete Information – Photos of Test Run Fuel Load.	40 C.F.R. § 60.533(b)(5).	In the revised test report include photos of each test run fuel load. The photos must be sufficiently clear and amplified to allow evaluation of the test fuel loads.
Missing Information in Owner’s Manual – Proper Operation at Low Burn Rate.	40 C.F.R. § 60.536(g)(3).	Include in the revised test report a revised Owner’s Manual that includes information on proper operation at a low burn rate, including minimum burn rate value.
Missing or Incomplete Information - Documentation of Lowest Burn Rate.	40 C.F.R. § 60.537(a)(2)	In the revised test report include documentation of the air control settings used for the lowest burn rate test. Such documentation must confirm the lowest burn rate at which a device may be commonly operated.

We request that you submit both a revised confidential business information (CBI)² and non-CBI test report along with a revised Certification of Conformity to EPA within ten (10) business days from receipt of this letter to maintain the Certificate of Compliance for the above-referenced models. The revised test report (both CBI and non-CBI versions) and Certification of Conformity should be clearly identified as revised with a revision date provided. The revised test report and Certification of Conformity should include a summary table indicating what revisions have been made and where the revisions are located in the test report. Concurrently, you must post the revised non-CBI test report and Owner’s Manual on your website and provide to EPA the web address where they can be found.

Upon receipt, EPA will review the revised CBI and non-CBI test reports to determine if the revisions sufficiently address the identified problems or irregularities and verify that the non-CBI report has been posted on the website. Please submit the revised test report (both CBI and non-CBI versions) to

² Manufacturers who claim that some of the information being submitted is CBI (e.g., design drawings and sensitive, detailed material specifications) must clearly mark the information. Note that emissions data cannot be claimed as CBI, including all information necessary either to determine emission rates in the format of the standard (e.g., g/hr, lb/mmBtu) or to determine whether the source complies with an applicable standard or limitation). *See* 40 CFR 2.301(a)(2) <https://www.govinfo.gov/content/pkg/CFR-2013-title40-vol1/pdf/CFR-2013-title40-vol1-sec2-301.pdf>.

WoodHeaterReports@epa.gov. The subject line of your email should be marked as “Wood Heater Test Report Requested Information.”

Please note that we are in receipt of your February 2, 2021, request to add model names to your Certificate of Compliance for the above-referenced models. However, the request cannot be processed until the above-identified test report problems or irregularities have been sufficiently addressed and the revised non-CBI test report posted on your website.

This request has been coordinated with EPA’s Office of Air Quality Planning and Standards and the Office of General Counsel. If you have any questions regarding this letter, please contact the Wood Heater Program at WoodHeaterReports@epa.gov.

Sincerely,

Anthony J. Miller
Acting Director
Monitoring, Assistance, and Media Programs Division
Office of Compliance
Office of Enforcement and Compliance Assurance

cc:

Richard A. Wayland, OAQPS/AQAD
Steffan M. Johnson, OAQPS/MTG
Jacqueline Robles Werner, OC
Robert Scinta, OC/MAMPD
Scott Jordan, OGC/ARLO
Danick Power, Services Polytests Inc.

St-jean-sur-Richelieu, September 8th 2021

Att.: Rafael Sanchez, Steffan Johnson

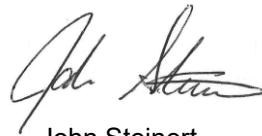
Subject: TYPO, mixing baffle in template report

In our report template we forgot to remove the reference of the mixing baffle in the dilution tunnel in the description section 3.1 and in the drawing in appendix 8 for our report template. This TYPO will can be found in most of our EPA reports. In reality the mixing baffles has been removed from the tunnel in 2015 when the E.P.A. review the regulation and refer to the ASMT E2515 for sampling standard. Our Iso 17025 accreditor (IAS) has audited Polytests for the ASMT E2515 and other testing method in March 2015 and found the dilution tunnel compliant to the standard (no mixing baffle in place). Moreover, we have been audited every two years by the EPA proficiency testing and dilution tunnel have been dismantling and inspected by the auditor and no mixing baffle was in the dilution tunnels. In order to fix this issue, reports are updated to remove the TYPO and updated the drawing of the dilution tunnel in appendix 8.

Thank you
Best regards,



Danick Power
Polytests services inc.
695-B Gaudette
St-jean-sur-richelieu
J3B 7S7
Phone. : 450 741-3636
e-mail: infos@polytests.com



John Steinert
Vice President Hearth Products Division
PFS TECO
11785 SE Hwy 212 - Ste 305
Clackamas, OR 97015
john.steinert@pfsteco.com
503-650-0088

IAS Laboratory Assessment Report

File or TL No.: File 2014-12-10

Laboratory Name: Services Polytests, Inc.

Laboratory Address: 695B Gaudette, St. Jean-sur-Richelieu, Quebec, J3B 7S7, Canada

Name and Title of Laboratory Contact: Gaetan Piedalue, P. Eng.; President

Name of Assessor: Douglas Sickles, P.E.

Date(s) of Assessment: March 16-20, 2015

Use this space to record names and titles of persons present at opening meeting:

Services Polytests : Gaetan Piedalue, P. Eng.; President ; Danick Power, VP,
Operation Manager; Marie-Josée Brudeau, Quality Manager

IAS: Douglas Sickles, P.E.

Use this space to record names and titles of persons present at closing meeting:

Services Polytests : Gaetan Piedalue, P. Eng.; President ; Danick Power, VP,
Operations Manager

IAS: Douglas Sickles, P.E.

Signature of Laboratory Representative:

Signature of Assessor:

Reviewer Comments:

Reviewed by:

Date:

<u>Report</u>	<u>Date</u>	<u>Client</u>	<u>Product</u>	<u>Standards</u>	<u>Tested By:</u>	<u>Reviewer</u>
P-1164	12-2012	ICC	Chimney Liner	ULC S640, UL 1777	Alain Lefebvre	Danick Power
P-1223	10-2014	ICC	Flexible Liner	ULC S640, UL 1777	Alain Lefebvre	Danick Power
P-1231	12-2014	ESIM	Automatically fed pellet/wood chip fired boiler	CSA B366.1 CSA B415.1 UL 2523 EPA Method 28 WHH ASTM 2515A	Maxime Martin	Danick Power
P-1246	11-2014	JA Roby	Wood Stove	UL 1482, ULC S627		Danick Power


TEST METHODS DEMONSTRATED AND REVIEWED:

Test methods demonstrated: (many tests shared between standards)

Test Standard/Method	Title
ANSI/UL 1482	Solid Fuel Type Room Heaters
CAN/ULC S627	Standard for Space Heaters for use with Solid Fuels
ASTM E1509	Standard Specification for Room Heaters, Pellet Fuel Burning type
CAN/CSA B366.1	Solid Fuel Fired Heating Appliances
CAN/CSA B415	Performance Testing of Solid Fuel Burning Heating Appliances
ASTM E2515	Determination of particulate matter collected by a dilution tunnel

Test methods that involved interviews and equipment review:

Test Standard/Method	Title
ULC S628	Fireplace Inserts
ANSI/UL 2523	Solid Fuel Fired Hydronic Heating Appliances, Water Heaters and Boilers
CAN/ULC S610	Standard for Factory Built Fireplaces
ANSI/UL 127	Factory Built Fireplaces
ANSI/UL 391	Solid Fuel and Combination Fuel Central and Supplementary Furnaces"
CAN/ULC S632	Standard for Heat Shields
ANSI/UL 1618	Wall protectors, floor protectors and hearth extensions
EPA 40 CFR Part 60, Subpart AAA, Method 28R	Certification and Auditing of Wood Heaters
EPA 40 CFR Part 60, Subpart QQQ, Method 28WHH	Measurement of Particulate Emissions and Heating Efficiency of Wood-Fired Hydronic Heating Appliances
E2558,E2618, E2779, E2780	Particulate Matter Emissions for Wood, heaters, Pellet heaters, Boilers, Wood Fireplaces
ULC S604	Standard for Factory-Built type A Chimneys
ULC S629	Standard for 650°C Factory-Built Chimneys
UL 103	Factory-Built Chimneys for Residential type and Building Heating Appliances
ULC S640	Standard for Lining Systems for New Masonry Chimneys
ULC S641	Standard for Factory-Built Chimney connectors and wall pass-through assemblies
UL 1777	Chimney Liners
ULC S635	Standard for Lining Systems for Existing Masonry or Factory-Built Chimneys and Vents

	EPA Quality Assurance Checksheet		
	Approved By: John Voorhees	Revision: 01	Page 1 of 1
	Initial Release Date: 01/17/2017	Revision: 02/09/2024	
Model:	TR007E, VG3200, AW3200E, US3200E, TR007E-P, TR007E-L, TR007E-BP, TR007E-BL, US3200E-P, US3200 E-L, US3200E-BP, US3200E- BL, VG3200-P, KW3200-P, CGWS3500, DH3500		
Inspection Date:			
Serial:		*Refer to N:\Engineering\Production Released Dwgs and Manuals for most up to date Print Revision Level	
Inspector:			

EPA Quality Assurance Check Sheet

Inspection frequency should be conducted at a rate of every 100 heaters produced

Dimensional Checks:

All dimensions are in millimeters unless otherwise specified. Inspection tolerances are +/-6.4mm for any linear dimension and +/-5% for any cross sectional area relating to air induction systems

	Nominal	Actual		Nominal	Actual
A	465.6		T	4.1 (37pl)	
B	402.1		U	12.7 (typ)	
C	83.8		V	3.1(25pl)	
D	25.4		W	19.1 (typ)	
E	42.7		X	2.54 (25pl)	
F	63.5		Y	19.1 (typ)	
G	6.4		Z	2.0 (21 pl)	
H	50.8		AA	9.7 (typ)	
I	38.1		BB	19.1	
J	240.0		CC	540.0	
K	306.3		DD	560.1	
L	628.4		EE	12.7	
M	280.9		FF	236.7	
N	71.1		GG	512.1	
O	8.1		HH	12.7	
P	7.1 (x2)		II	12.7	
Q	9.9 (x2)		JJ	584.5	
R	152.2		KK	258.1	
S	5.1				

Door Sealing:

Does the door (s) seal properly against the firebox? (Use appropriate gauge for testing)

Pass	Fail	N/A
<input type="checkbox"/>	<input type="checkbox"/>	<input type="checkbox"/>

Baffle:

Is the location of the baffle correct?

<input type="checkbox"/>	<input type="checkbox"/>	<input type="checkbox"/>
--------------------------	--------------------------	--------------------------

Is there any damage to the baffle?

<input type="checkbox"/>	<input type="checkbox"/>	<input type="checkbox"/>
--------------------------	--------------------------	--------------------------

Fans:

Do the fans match the specifications (speed/power/performance) on the K-list?

<input type="checkbox"/>	<input type="checkbox"/>	<input type="checkbox"/>
--------------------------	--------------------------	--------------------------

Motors:

Do the motors match the specifications (speed/power/performance) on the K-list?

<input type="checkbox"/>	<input type="checkbox"/>	<input type="checkbox"/>
--------------------------	--------------------------	--------------------------

Non-Conformities for Corrective Action:

Document any non-conformities that require corrective action

UNITED STATES STOVE COMPANY

MODEL TR007E
EPA DOCUMENTATION





OMB Control No. 2060-0161
Approval expires 03/31/2019

OMB Control No. 2060-0693
Approval expires 03/31/2019

30-DAY NOTIFICATION

2015 CLEAN AIR ACT (CAA) STANDARDS OF PERFORMANCE FOR NEW RESIDENTIAL WOOD HEATERS, NEW RESIDENTIAL HYDRONIC HEATERS AND FORCED-AIR FURNACES 40 CFR PART 60 SUBPARTS AAA AND QQQQ

The public reporting and recordkeeping burden for this collection of information is estimated to average 2 hours per response. Send comments on the Agency's need for this information, the accuracy of the provided burden estimates, and any suggested methods for minimizing respondent burden, including through the use of automated collection techniques to the Director, Regulatory Support Division, U.S. Environmental Protection Agency (2822T), 1200 Pennsylvania Ave., NW, Washington, D.C. 20460. Include the OMB control number in any correspondence. Do not send the completed form to this address.

Disclaimer: The statutory provisions and the EPA regulations described in this document contain legally binding requirements. This document is not a substitute for those provisions or regulations, nor is it a regulation itself. In the event of a discrepancy, please refer to 40 CFR PART 60 Subparts AAA AND QQQQ, sections 60.537 and 60.5479. If you have additional questions, please contact Rafael Sanchez at 202-564-7028 or via email at sanchez.rafael@epa.gov.

Instructions: The manufacturer of an affected wood/pellet heater/central heater model line must notify the Administrator of the date that certification testing is scheduled to begin by email to WoodHeaterReports@epa.gov. This notice must be received by the EPA at least 30 days before the start of testing.

GENERAL INFORMATION						
Manufacturer's Name: United States Stove Company						
Heater Type (Circle One):	<input checked="" type="checkbox"/> Adjustable Burn Rate Wood Heater	<input type="checkbox"/> Pellet Stove	<input type="checkbox"/> Single Burn Rate Heater	<input type="checkbox"/> Hydronic Heater	<input type="checkbox"/> Forced Air Furnace	<input type="checkbox"/> Other:
Hydronic Heater Type (Check one):	<input type="checkbox"/> Full Storage	<input type="checkbox"/> Partial Storage	<input type="checkbox"/> Indoor	<input type="checkbox"/> Outdoor	<input type="checkbox"/> Other:	
Forced-Air Furnace Type (Check one):	<input type="checkbox"/> Small (less than 65,000 BTU/hr heat output)		<input type="checkbox"/> Large (greater than 65,000 BTU/hr heat output)			
Fuel Tested (Check one):	<input type="checkbox"/> Crib	<input type="checkbox"/> Pellet	<input checked="" type="checkbox"/> Cordwood	<input type="checkbox"/> Wood Chips	<input type="checkbox"/> Other:	
Model Name(s) (as will appear on test report) TR007E						
Model Number(s) (as will appear on test report): TR007E						
Equipped with a catalytic combustor? <input type="checkbox"/> Yes <input checked="" type="checkbox"/> No						
Mailing Address: 227 Industrial Park Rd						
Street Address: 227 Industrial Park Rd						



OMB Control No. 2060-0161
Approval expires 03/31/2019

OMB Control No. 2060-0693
Approval expires 03/31/2019

30-DAY NOTIFICATION

2015 CLEAN AIR ACT (CAA) STANDARDS OF PERFORMANCE FOR NEW RESIDENTIAL WOOD HEATERS, NEW RESIDENTIAL HYDRONIC HEATERS AND FORCED-AIR FURNACES 40 CFR PART 60 SUBPARTS AAA AND QQQQ

The public reporting and recordkeeping burden for this collection of information is estimated to average 2 hours per response. Send comments on the Agency's need for this information, the accuracy of the provided burden estimates, and any suggested methods for minimizing respondent burden, including through the use of automated collection techniques to the Director, Regulatory Support Division, U.S. Environmental Protection Agency (2822T), 1200 Pennsylvania Ave., NW, Washington, D.C. 20460. Include the OMB control number in any correspondence. Do not send the completed form to this address.

Disclaimer: The statutory provisions and the EPA regulations described in this document contain legally binding requirements. This document is not a substitute for those provisions or regulations, nor is it a regulation itself. In the event of a discrepancy, please refer to 40 CFR PART 60 Subparts AAA AND QQQQ, sections 60.537 and 60.5479. If you have additional questions, please contact Rafael Sanchez at 202-564-7028 or via email at sanchez.rafael@epa.gov.

Instructions: The manufacturer of an affected wood/pellet heater/central heater model line must notify the Administrator of the date that certification testing is scheduled to begin by email to WoodHeaterReports@epa.gov. This notice must be received by the EPA at least 30 days before the start of testing.

City: South Pittsburg	State: TN	ZIP Code: 37380
Phone: (423) 837-2100	Fax:	Web Site: www.usstove.com
Address of Manufacturer: 227 Industrial Park Rd		
City: South Pittsburg	State: TN	ZIP Code: 37380
EPA APPROVED TEST LABORATORY		
Name and Title of Authorized Representative: Danick Power v-p operation		
Company: Polytests Services Inc.		
Phone: (450) 741-3636	E-mail: dpower@polytests.com	Fax:
City: St-Jean-sur-Richelieu	State: Québec, Canada	ZIP Code: J3B 7S7
EPA APPROVED THIRD-PARTY CERTIFIER		
Name and Title of Authorized Representative: John Steinert General Manager		
Company: PFS-TECO		
Phone: 503-650-0088	E-mail: john.steinert@pfsteco.com	Fax:



OMB Control No. 2060-0161
Approval expires 03/31/2019

OMB Control No. 2060-0693
Approval expires 03/31/2019

30-DAY NOTIFICATION

2015 CLEAN AIR ACT (CAA) STANDARDS OF PERFORMANCE FOR NEW RESIDENTIAL WOOD HEATERS, NEW RESIDENTIAL HYDRONIC HEATERS AND FORCED-AIR FURNACES 40 CFR PART 60 SUBPARTS AAA AND QQQQ

The public reporting and recordkeeping burden for this collection of information is estimated to average 2 hours per response. Send comments on the Agency's need for this information, the accuracy of the provided burden estimates, and any suggested methods for minimizing respondent burden, including through the use of automated collection techniques to the Director, Regulatory Support Division, U.S. Environmental Protection Agency (2822T), 1200 Pennsylvania Ave., NW, Washington, D.C. 20460. Include the OMB control number in any correspondence. Do not send the completed form to this address.

Disclaimer: The statutory provisions and the EPA regulations described in this document contain legally binding requirements. This document is not a substitute for those provisions or regulations, nor is it a regulation itself. In the event of a discrepancy, please refer to 40 CFR PART 60 Subparts AAA AND QQQQ, sections 60.537 and 60.5479. If you have additional questions, please contact Rafael Sanchez at 202-564-7028 or via email at sanchez.rafael@epa.gov.

Instructions: The manufacturer of an affected wood/pellet heater/central heater model line must notify the Administrator of the date that certification testing is scheduled to begin by email to WoodHeaterReports@epa.gov. This notice must be received by the EPA at least 30 days before the start of testing.

City: Clackamas	State: OR	ZIP Code: 97015
COMPLIANCE TEST INFORMATION		
Test Method(s): ALT-125 test method		
Date(s) of Proposed Test: Week of February 3 rd , 2020		
Testing Location: Polytests Services Inc., 695 B rue Gaudette, St-Jean-sur-Richelieu , Québec, Canada, J3B 7S7		



OMB Control No. 2060-0161
Approval expires 03/31/2019

OMB Control No. 2060-0693
Approval expires 03/31/2019

30-DAY NOTIFICATION

2015 CLEAN AIR ACT (CAA) STANDARDS OF PERFORMANCE FOR NEW RESIDENTIAL WOOD HEATERS, NEW RESIDENTIAL HYDRONIC HEATERS AND FORCED-AIR FURNACES 40 CFR PART 60 SUBPARTS AAA AND QQQQ

The public reporting and recordkeeping burden for this collection of information is estimated to average 2 hours per response. Send comments on the Agency's need for this information, the accuracy of the provided burden estimates, and any suggested methods for minimizing respondent burden, including through the use of automated collection techniques to the Director, Regulatory Support Division, U.S. Environmental Protection Agency (2822T), 1200 Pennsylvania Ave., NW, Washington, D.C. 20460. Include the OMB control number in any correspondence. Do not send the completed form to this address.

Disclaimer: The statutory provisions and the EPA regulations described in this document contain legally binding requirements. This document is not a substitute for those provisions or regulations, nor is it a regulation itself. In the event of a discrepancy, please refer to 40 CFR PART 60 Subparts AAA AND QQQQ, sections 60.537 and 60.5479. If you have additional questions, please contact Rafael Sanchez at 202-564-7028 or via email at sanchez.rafael@epa.gov.

Instructions: The manufacturer of an affected wood/pellet heater/central heater model line must notify the Administrator of the date that certification testing is scheduled to begin by email to WoodHeaterReports@epa.gov. This notice must be received by the EPA at least 30 days before the start of testing.

John D. Voorhees, Sr. Director of Compliance

Print Name and Title of Authorized Official

Signature

Date January 6, 2020

Telephone Number: 423 837-2100

Email Address: Johnv@usstove.com

Remarks:

U.S. ENVIRONMENTAL PROTECTION AGENCY (EPA)
2015 Standards of Performance for New Residential Wood Heaters, New Residential
Hydronic Heaters and Forced-Air Furnaces Application
40 CFR PART 60 SUBPARTS AAA AND QQQQ

Disclaimer: The statutory provisions and the EPA regulations described in this document contain legally binding requirements. This document is not a substitute for those provisions or regulations, nor is it a regulation itself. In the event of a discrepancy, please refer to 40 CFR PART 60 Subparts AAA AND QQQQ, Sections 60.533(b), 60.5475(b), and Appendix A-8. This document may be revised periodically without public notice. If you have additional questions, please contact Rafael Sanchez at 202-564-7028 or via email at sanchez.rafael@epa.gov.

Contents

Application for us epa wood heater certification pursuant to 40 cfr PART 60 Subparts AAA and QQQQ	1
Application for A Certificate of Compliance pursuant to 40 cfr PART 60 Subparts AAA and QQQQ.....	2
2015 Standards of Performance for New Residential Wood Heaters, new residential hydronic heaters and forced-air furnaces.....	2
General Information.....	2
Manufacturer’s Authorized Representative INFORMATION.....	2
EPA-Approved Test Laboratory	3
Compliance Statements and Acknowledgements – Sections 60.533(b) and 60.5475(b)	4
Instructions: Please read the below statements and affirmations and address accordingly.....	4
For emissions data summary tables see attachments	4
Wood Burning Heaters	7
I. Test ALT-125 for Certification and Auditing of Wood Heaters	7
A. <i>Summary Results – Adjustable Wood Burning Heaters</i>	7
Weighted average summary	7
Weighted average Final results.....	7

**APPLICATION FOR A CERTIFICATE OF COMPLIANCE PURSUANT TO 40 CFR
PART 60 SUBPARTS AAA AND QQQQ
2015 STANDARDS OF PERFORMANCE FOR NEW RESIDENTIAL WOOD HEATERS, NEW
RESIDENTIAL HYDRONIC HEATERS AND FORCED-AIR FURNACES**

GENERAL INFORMATION

Manufacturer's Name: United State Stove Company

Heater Type (Circle One):	Adjustable Burn Rate Wood Heater	Pellet Stove	Single Burn Rate Heater	Hydronic Heater	Forced Air Furnace	Other:
Hydronic Heater Type (Circle One):	Traditional	Full Storage	Partial Storage	Indoor/Outdoor	Other:	
Forced-Air Furnace Type (Circle One):	Small (less than 65,000 BTU/hr heat output)		Large (greater than 65,000 BTU/hr heat output)		Other:	
Fuel Tested:	Crib	Pellet	Cordwood	Wood Chips	Other:	

Test Method(s) ALT-125, ASTM E2515, ASTM E3053 and CSA B415.1 **Catalyst: No**

Model Name and Design Number (The model name and design number must clearly distinguish one model from another. The name and design number cannot include the EPA symbol or logo or name or derivatives such as "EPA): TR007E, US3200E VG3200 AW3200E

Physical Address (Street number and Address, not P.O. Box): 227 Industrial Park Road

Mailing Address: 227 Industrial Park Road

City: South Pittsburg

State: TN

ZIP Code: 37380

Phone: (423) 837-2100

Email: johnv@usstove.com

Website: www.usstove.com

EPA Submission Date of 30 day Notice: January 6, 2020

MANUFACTURER'S AUTHORIZED REPRESENTATIVE INFORMATION

Name: John D. Voorhees

Position/Title: Sr. Director of Compliance

Address: 227 Industrial Park Road

City: South Pittsburg

State: TN

ZIP Code: 37380

Phone: (423) 837-2100

E-mail: johnv@usstove.com

Website: www.usstove.com

**APPLICATION FOR A CERTIFICATE OF COMPLIANCE PURSUANT TO 40 CFR
PART 60 SUBPARTS AAA AND QQQQ
2015 STANDARDS OF PERFORMANCE FOR NEW RESIDENTIAL WOOD HEATERS, NEW
RESIDENTIAL HYDRONIC HEATERS AND FORCED-AIR FURNACES**

Remarks:

EPA-APPROVED TEST LABORATORY

Name of Test Laboratory:
Polytests Services inc.

Name of Person Authorized or Responsible for Conducting Compliance Test: Danick Power

Position/Title: VP operation

Address: 695-B Gaudette,

City: St-Jean-sur-Richelieu	State: Quebec, Canada	ZIP Code: J3B 7S7
------------------------------------	------------------------------	--------------------------

Phone: 450 741-3636	Email: dpower@polytests.com	Website: www.polytests.com
----------------------------	------------------------------------	-----------------------------------

Remarks:

EPA-Approved Third Party Certifier

Name of Certifier Entity: PFS-TECO

Name of Person Authorized or Responsible for Reviewing Test Report and/or Issuing Certification of Conformity:
John Steinert

Position/Title: Lab Manager

Address: 11785 Highway 212, Ste. 305

City: Clackamas	State: OR	ZIP Code: 97015
------------------------	------------------	------------------------

Phone: 503-650-0088	Email: john.steinert@pfsteco.com	Website: www.pfsteco.com
----------------------------	--	---------------------------------

Remarks:

--	--	--

--	--	--

--	--	--

COMPLIANCE STATEMENTS AND ACKNOWLEDGEMENTS – SECTIONS 60.533(B) AND 60.5475(B)

INSTRUCTIONS: PLEASE READ THE BELOW STATEMENTS AND AFFIRMATIONS AND ADDRESS ACCORDINGLY.

FOR EMISSIONS DATA SUMMARY TABLES SEE ATTACHMENTS

1. Engineering Drawings Statement

Engineering drawings and specifications of components that may affect emissions (including specifications for each component listed in paragraphs (k)(2), (3) and (4) of 60.533(b) and 60.5475(b). Manufacturers may use assembly or design drawings that have been prepared for other purposes, but must designate on the drawings the dimensions of each component listed in paragraph (k) of this section. Manufacturers must identify tolerances of components listed in paragraph (k)(2) of 60.533(b) and 60.5475(b) that are different from those specified in that paragraph, and show that such tolerances cannot reasonably be anticipated to cause wood heaters in the model line to exceed the applicable emission limits. The drawings must identify how the emission-critical parts, such as air tubes and catalyst, can be readily inspected and replaced.

Engineering drawings with K-list items are in Appendix 6 of the CBI test report.

2. Firebox Statement Requirement

A statement whether the firebox or any firebox component (including the materials listed in paragraph (k)(3) of 60.533(b) and 60.5475(b) will be composed of material different from the material used for the firebox or firebox component in the wood heater on which certification testing was performed, a description of any such differences and demonstration that any such differences may not reasonably be anticipated to adversely affect emissions or efficiency.

None. These units will be manufactured as tested.

3. CBI

Clear identification of any claimed confidential business information (CBI). Submit such information under separate cover to the EPA CBI Office; Attn: Residential Wood Heater Compliance Program Lead, 1200 Pennsylvania Ave., NW, Room 7138, MS:2227A, Washington, DC 20460. **Note that all emissions data, including all information necessary to determine emission rates in the format of the standard, cannot be claimed as CBI.**

A CBI and Non-CBI version of the test report has been prepared and is being submitted with this application via an ftp site. The Non-CBI version is identical to the CBI test report, however all engineering drawings have been omitted. Paper copies of CBI reports were sent via courier service to EPA.

4. Valid Certification Statement

All documentation pertaining to a valid certification test, including the complete test report and, for all test runs: Raw data sheets, laboratory technician notes, calculations and test results. Documentation must include the items specified in the applicable test methods. Documentation must include discussion of each test run and its appropriateness and validity, and must include detailed discussion of all anomalies, whether all burn rate categories were achieved, any data not used in the calculations and, for any test runs not completed, the data collected during the test run and the reason(s) that the test run was not completed and why. The burn rate for the low burn rate category must be no greater than the rate that an operator can achieve in home use and no greater than is advertised by the manufacturer or retailer. The test report must include a summary table that clearly presents the individual and overall emission rates, efficiencies and heat outputs. Submit the test report and all associated required information, according to the procedures for electronic reporting specified in § 60.537(f) and 60.5475(f).

All certification testing documentation is contained in the enclosed test report, report number F20-563.

5. Warranties

A copy of the warranties for the model line, which must include a statement that the warranties are void if the unit is used to burn materials for which the unit is not certified by the EPA and void if not operated according to the owner's manual.

All warranties offered for this product can be found in Appendix 7 of the CBI test report.

6. Q/A Statement

A statement that the manufacturer will conduct a quality assurance program for the model line that satisfies the requirements of paragraph (m) of this section.

The quality assurance program has been developed in close cooperation with PFS-TECO, who has been contracted to conduct follow-up inspections.

7. Laboratory Sealing of Unit

A statement describing how the tested unit was sealed by the laboratory after the completion of certification testing and asserting that such unit will be stored by the manufacturer in the sealed state until 5 years after the certification test.

The specimen that was used for testing has been sealed by the testing laboratory with plastic wrap and banding to a pallet and the sample is identified by Polytests Services as an EPA test sample to keep sealed. It will be stored on the manufacturer's premises at the following address: 227 Industrial Park Road, South Pittsburg, TN 37380

8. Statements that the wood heaters manufactured under this certificate will be—

- (i) Similar in all material respects that would affect emissions as defined in § 60.531 to the wood heater submitted for certification testing, and labeled as prescribed in § 60.536 and 60.5478.
- (ii) Accompanied by an owner's manual that meets the requirements in § 60.536 and 60.5478. In addition, a copy of the owner's manual must be submitted to the Administrator and be available to the public on the manufacturer's web site.

United States Stove Company attests that the wood heaters manufactured under this certificate will be similar in all material respects that would affect emissions as defined in § 60.531 to the wood heater submitted for certification testing. The wood heater will be labeled as prescribed in § 60.536 and 60.5478 and will be accompanied with an owner's manual that meets the requirements in § 60.536 and 60.5478. In addition, a copy of the owner's manual is being submitted to the Administrator in the test report and will be made available to the public on the manufacturer's website, www.usstove.com.

9. Third Party Certification Statement

A statement that the manufacturer has entered into contracts with an approved laboratory and an approved third-party certifier that satisfy the requirements of paragraph (f) of this section.

United States Stove Company has entered into contracts with PFS-TECO, an approved laboratory and an approved third-party certifier that satisfies the requirements of paragraph (f) of § 60.533.

10. Approved laboratory/third party Statement

A statement that the approved laboratory and approved third-party certifier are allowed to submit information on behalf of the manufacturer, including any claimed to be CBI.

PFS-TECO is an approved laboratory and approved third-party certifier and are allowed to submit information on behalf of the United States Stove Company, including any claimed to be CBI.

11. Manufacturer's Website Certification Test Reports Availability Statement

A statement that the manufacturer will place a copy of the certification test report and summary on the manufacturer's web site available to the public within 30 days after the Administrator issues a certificate of compliance.

United States Stove Company will place a copy of the certification test report and summary on the manufacturer's website, www.usstove.com, available to the public within 30 days after the Administrator issues a certificate of compliance.

12. Transferability Acknowledgement Statement

A statement of acknowledgment that the certificate of compliance cannot be transferred to another manufacturer or model line without written approval by the Administrator.

United States Stove Company acknowledges that the certificate of compliance cannot be transferred to another manufacturer or model line without written approval by the Administrator.

13. Statement about Selling Wood Heaters without an EPA Certificate

A statement acknowledging that it is unlawful to sell, distribute or offer to sell or distribute an affected wood heater without a valid certificate of compliance.

United States Stove Company acknowledges that it is unlawful to sell, distribute or offer to sell or distribute an affected wood heater without a valid certificate of compliance.

Print Name and Title: John D. Voorhees Sr. Director of Compliance

Date: 02/20/2020

Signature of responsible representative of the manufacturer certifying the accuracy of the above statements:



The authorized or responsible party whose signature is above is certifying that the manufacturer has complied with and will continue to comply with all requirements of the 2015 NSPS for compliance certification and that the manufacturer remains responsible for compliance regardless of any error by the test laboratory or third-party certifier.

Attachments

Instructions: Please complete the section applicable to your certification request. You may substitute your own data tables in lieu of the ones shown below provided that all the information is captured.

WOOD BURNING HEATERS

I. Test ALT-125 for Certification and Auditing of Wood Heaters

A. SUMMARY RESULTS – ADJUSTABLE WOOD BURNING HEATERS

WEIGHTED AVERAGE SUMMARY

Model name / number	TR007E		
Usable Firebox volume	2.68		
Convection air Fan (no, Standard, option)	option		
average for each test run category	L	M	H
burn rate kg/h DB	1,43	1,55	5,24
PM Emission rate - g/h	0,82	0,83	3,21
Co emission rate - g/h	89,71	98,19	93,37
Overall Efficiency - CSA B 415,1			
% HHV Basis	72,2%	72,2%	68,6%
% LHV Basis	77,7%	77,7%	73,8%
Heat output - Btu/hr	19778	21403	67992
Category weighting	0,4	0,4	0,2

WEIGHTED AVERAGE FINAL RESULTS

ASTM E 3053 Weighted averages			
PM Emission Rate - g/h	1,30		
CO Emission Rate g/h	93,8		
Overall Efficiency - CSA B415,1			
% HHV Basis	71,48%		
% LHV Basis	76,92%		
Heat output range - Btu/h	19 778	to	67992
Co Arithmetic average g/min	1,56		

227 Industrial Park Road South
Pittsburg, Tennessee 37380 USA

usstove.com
1 800 750 2723
sales@usstove.com



February 1, 2024

Dr. Rafael Sanchez, Ph.D.
U.S. Environmental Protection Agency
Office of Compliance
1200 Pennsylvania Ave. NW MS:2227A
Room 7149-D
Washington, DC 20460

RE: Model additions 253-20

Dear Dr. Sanchez,

This letter is to request model additions to our certificate 253-20. The addition is adding the following models to this certificate: KW3200-P, Comfort Glow CGWS3500 and DuraHeat DHWS3500

This letter further declares that these units are still being manufactured as tested and no changes have been made to these models which could affect combustion. There are no cosmetic changes other than branding to the requested additional models.

Enclosed you will find a copy of the Test reports, Certification Labels, Manuals and an updated CoC.

Further, I request that a waiver be granted for certification testing of these models since combustion of said models is that same as the base models.

Sincerely,

A handwritten signature in black ink, appearing to read "John D. Voorhees".

John D. Voorhees
Vice President of Compliance



Certificate of Conformity

Issued to: United States Stove Company
John Vorhees
227 Industrial Park Road
South Pittsburg, TN 37380
(423) 837-2100

Model: TR007E
AKA: VG3200, AW3200E, US3200E, TR007E-P, TR007E-L, TR007E-BP, TR007E-BL, US3200E-P, US3200E-L, US3200E-BP, US3200E-BL, VG3200-P, VG3200-L, VG3200-BP, VG3200-BL, AW 3200E, AW3200E-P, AW3200E-L, AW3200E-BP, AW3200E-BL, KW3200-P, CGWW3500, DHWS3500

Revised*: March 2, 2021, September 20, 2021, May 25, 2022, March 19, 2024
Effective Date: March 3, 2020
Report # Polytest Report PI-20221 (PFS #20-563)

**See revision schedule on page 2 for a full list of changes*

Certification tests were performed by Services Polytests, Inc. located at: 695-B Gaudette- St-jean-sur-Richelieu, QC, J3B 7S7 CANADA.

PFS TECO certifies conformity to the following per 40 CFR Part 60 §60.533 (f) (A):

- The test report is complete and accurate.
- The instrumentation used for the test was properly calibrated.
- The representative model tested meets the applicable emission limits.
- The tests have been conducted per the appropriate guidelines.
- The manufacturer's Quality Control Plan has been reviewed to ensure that all production units are similar in all material respects that would affect emissions to the tested/certified model and that the units in the model line will meet all (other) applicable requirements.

PFS TECO certifies that the emissions levels as measured in the test report are in compliance with the 2020 PM emission limit of ≤ 2.5 g/hr using cord wood. Testing Per ASTM E3053, ASTM E2515, EPA ALT 125. Efficiency testing per CSA B415.1

The weighted average emissions for the TR007E wood heater is **1.3 g/hr** with a weighted average efficiency of **71%**. Average CO emissions are **1.6 g/min.**

Issued by: PFS TECO
1507 Matt Pass
Cottage Grove, WI 53527

Scott Drake, President, and CEO





Revision Summary

Date: 3/3/2020 – Original Issue

Date: 3/2/21 – The following revisions to the report were reviewed:

- update report to comply with ADEC requirements, mainly N-CBI report additional appendix,
- Update section 1.4 addressing pre-burn was done at medium hat draw (air setting)
- update comments p.12, 3.4 more detail for wood, addressing anomalies, appropriateness and
- validation of runs
- section 3.1 p10, no data available for screening burns only visual and burn time have accounted.
- Appendix 9 added details on pictures
- Changed molecular weight in appendix 1 from 28.78 to 29
- Updated run 1.2 p12 mentioning the air inlet was at the lowest possible position for the minimum test
- updated manuals Appendix 7 (correcting consumer fueling instructions)
- Update table 2.3 to include startup/preburn for run 2

Date: 9/20/21 – The following revisions to the report were reviewed:

- Additional letter for TYPO's about mixing baffle in the original report Appendix 15

Date: 5/25/22 – The following revisions to the report were reviewed:

- P.10 Firebox volume 2.68 cuft
- Appendix 8 updated with new pictures
- Section 3.6 updated to change moisture assumed to 2% in tunnel.
- Table 2.9 additional g/Kg deviation
- Appendix 9 updated with more picture's details
- Appendix 4 updated to include moisture content for each piece for aging

Date: February 23, 2024 – Rev 4: the following changes were made:

- Additional new name for the same appliance
- Appendix 7, updated with new manual cover sheet with new names, and additional new names on markings.
- Section 1.2, updated to include additional new names.