



TEST REPORT

TEST OF A NON-CATALYTIC WOOD BURNING STOVE FOR EMISSIONS AND EFFICIENCY

PER EPA METHODS ATM, ASTM E2515, ASTM E3053 and CSA B415.1,

Client:

**United State Stove Company**

227 industrial Park Rd,  
South Pittsburg, TN  
37380

Model Name: US1100E

Attention: Rafael Sanchez

TESTED BY:

Services Polytests inc.  
695-B Gaudette  
St-Jean-sur-Richelieu, QC, J3B 7S7

TEST DATES: February 14<sup>th</sup> & 16<sup>th</sup> 2023

REPORT DATE: March 2<sup>nd</sup> 2023

Revision1: September 25<sup>th</sup> 2023

Revision 2 February 20<sup>th</sup> 2024

Project number: PI-20283

All services undertaken are subject to the following general policy: Reports are submitted for exclusive use of the clients to whom they are addressed. This document may not be reproduced except in its entirety without the written permission from Services Polytests. Services Polytests have not been involved in any R&D design consulting regarding this unit as requested by the NSPS. Results only apply to samples submitted to test.

Tested:

A handwritten signature in black ink, appearing to read "Maxime Martin".

Maxime Martin

written by:

A handwritten signature in black ink, appearing to read "Danick Power".

Danick Power, P. Eng

Verified by third party certifier (PFS-TECO):

## SUMMARY

1	Introduction .....	4
1.1	General.....	4
1.2	Test unit information .....	4
1.3	Results.....	5
1.4	Pretest information.....	5
2	Summary of test results.....	5
2.1	Model identification.....	5
2.2	Laboratory information.....	5
2.3	Test condition Summary .....	6
2.4	Test run results summary .....	7
2.5	Weighted average summary .....	8
2.6	Weighted average Final results.....	8
2.7	Test facility conditions .....	8
2.8	Dilution tunnel flow rate measurements and sampling data (ASTM E2515).....	9
2.9	Dilution tunnel dual train precision .....	9
3	Process description.....	10
3.1	Discussion .....	10
3.2	Unit dimensions .....	10
3.3	Air supply system .....	11
3.4	operation during test.....	12
3.5	Start-up operation .....	13
3.6	Sampling locations .....	13
3.7	Drawings .....	13
3.8	Emissions efficiency testing equipment list .....	13
4	Sampling methods .....	13
4.1	Particulate sampling .....	13
5	Quality assurance .....	13
5.1	Instrument calibration .....	13
5.1.1	Gas meters.....	13
5.1.2	SCALES .....	13
5.1.3	Gas analyzers .....	13
5.2	Test method procedures.....	14
5.2.1	Leak check procedures .....	14
5.2.2	Tunnel velocity flow measurement .....	14
5.2.3	Pm sampling proportionality (ASTM E2515) .....	14
5.2.4	Dilution Tunnel relative humidity measurement .....	14



**List of revision:**

Revision 1 September 25<sup>th</sup> 2023:

- Section 3.4 of the report implemented, mentioning no trapezoidal shape have been used
- Section 3.4 of the report implemented, mentioning the wood was not thermally dried
- Section 3.4 of the report implemented, mentioning the coal bed at the end of pre-burn was leveled without valleys or ridges
- Section 3.4 of the report implemented, for each run detail on the highest fan setting.
- Appendix 12 Firebox volume updated with comments.
- Appendix 4 additional information about number of pieces at each reload during the 50hrs aging
- Pictures of the test fuel load before and in the firebox are exactly the same loads for each run.

Revision 2 (February 20<sup>th</sup> 2024):

- Additional new name for the same appliance
- Appendix 7, updated with new manual cover sheet with new names, and additional new names on markings
- Section 1.2, updated to include additional new names.

## List of Appendix

- APPENDIX 1: Raw data, forms and results
- APPENDIX 2: Proportionality results
- APPENDIX 3: Calibration data
- APPENDIX 4: Unit pre burn
- APPENDIX 5: Participants
- APPENDIX 6: Drawings and specifications
- APPENDIX 7: Operator's manual
- APPENDIX 8: Photographs of test set up
- APPENDIX 9: Test load photographs
- APPENDIX 10: Laboratory Operating Procedures
- APPENDIX 11: Sample calculations
- APPENDIX 12: Volume calculations
- APPENDIX 13: Operating instruction
- APPENDIX 14: Drawing Air flow pattern
- APPENDIX 15: WHA, 30-day notice, Coc, Others

## 1 INTRODUCTION

### 1.1 GENERAL

#### Laboratory

- Location: Services Polytests Inc., 695-B Gaudette St-Jean-sur-Richelieu QC, Canada J3B 7S7
- Elevation: 100 feet above sea level

#### Test program

- Purpose: unit qualification NSPS 2020 cord wood
- Test dates: February 14<sup>th</sup> and 16<sup>th</sup> 2023
- Test methods used:
  - Particulate emissions: ASTM E3053-18; ASTM E2515-11 methods ATM (In appendix 15) as referred into 40 CFR Part 60 Subpart AAA
  - Efficiency: CSA B415.1-10

### 1.2 TEST UNIT INFORMATION

#### General

- Manufacturer: united State Stove Company
- Product type: wood heater
- Combustion system: non-catalytic
- Unit tested: US1100E

#### Particularities

- Description of similar models. Different model sharing the same firebox

#### In Summary:

- Description of similar models: Different models sharing the same firebox for branding purposes and do not affect emissions performance. Models will vary cosmetically and will have various leg, pedestal, and insert kit options. Options will be designated by a “-xx” following the model number.

US1100E, US1100EC, VG1120, AW1120E, CH11, NM680, SW1.2, AHWS1120 US1100E-P, US1100E-L, US1100E-BP, US1100E-BL, AW1120E-P, AW1120E-L, 1120E-BP, AW1120E-BL, VG1120-P, VG1120-L, VG1120-BP, VG1120-BL, US1100EC-P, US1100EC-L, US1100EC-BP, US1100EC-BL., KW1100E-L, CH11-L, KW12, CGW1500 and DHWS 1500.

### 1.3 RESULTS

Emission results obtained

- Weighted Average Emissions Rate: 2.4 g/hr
- Weighted Average Overall Efficiency: 66 %

Conformity: NSPS Phase 2020, cord wood test method ATM (Appendix 15)

### 1.4 PRETEST INFORMATION

Unit condition: The unit was received by carrier during January 2023 in good condition. The 50hrs of aging was done by Polytests at Low, Medium, and high heat draw with Cord wood Red Oak, 19 to 25% dry basis moisture content.

Set up

- Venting system type: 6 inches diameter inch steel pipe and insulated chimney
- System height from floor: 15 feet
- Particularities: this unit has been tested with the optional fan for high, medium, and low burn rate.

## 2 SUMMARY OF TEST RESULTS

### 2.1 MODEL IDENTIFICATION

Model name number	US1100E
Manufacturer	United State Stove Company
address	227 industrial Park Rd, South Pittsburg, TN 37380
appliance category	wood stove
Usable Firebox Volume – ft3	1.31
Catalytic/Non-Cat	Non-Cat
convection air fan (no, standard, Optional)	option

### 2.2 LABORATORY INFORMATION

Testing laboratory	Polytests Services
address	695-B Gaudette, St-Jean-sur-richelieu
ISO/ Accreditation info	17025
Dates tested	February 14 <sup>th</sup> and 16 <sup>th</sup> 2023
Test Methods / Standard	ATM Letter in Appendix 15
Dilution Tunnel Inside diameter – in	12
Filter diameter	47
Filter material	PTFE Pall

### 2.3 TEST CONDITION SUMMARY

Model Name(s) / number(s)	US1100E			
Usable firebox Volume-ft3	1,31			
Convection Air Fan (No, Standard, Optional)	option			
Test runs #	1,1	1,2	2.1	2.2
Date tested	Feb. 14 <sup>th</sup> 2023	Feb. 14 <sup>th</sup> 2023	Feb. 16 <sup>th</sup> 2023	Feb. 16 <sup>th</sup> 2023
test run category (L, M, H)	H	L	H	M
average barometric pressure – in Hg	29,91	29,91	29,56	29,56
Max observe Ambient temp. °F	73,08	72,77	72,59	73,52
Min observe Ambient Temp °F	69,55	70,58	69,24	70,59
Max observes Filter temp °F	89,02	89,19	89,13	89,85
Run air settings	full open	Minimum setting	full open	Medium setting
Primary (measured up from minimum)	30,5 mm pulled	0 mm	30,5 mm pulled	16 mm pulled
Secondary (measured up from minimum)	na	na	na	na
Convection air setting	on	on	on	on
Test fuel load				
Cordwood fuel species	Oak	Oak	Oak	Oak
specific Gravity (from Table 1)	0,66	0,66	0,66	0,66
Higher heating value - Btu/lb (from Annex A1)	8690	8690	8690	8690
Nom. Test fuel piece length - in	16	16	16	16
Number of test fuel pieces	4	5	4	5
Test fuel Weight				
Kindling - as fired lb.	2,23	NA	2,19	NA
Kindling Wt. - as % of test fuel load	16,5%	NA	16,1%	NA
Kindling Moisture % Db	10,0	NA	10,0	NA
Kindling Kg DB	0,92	NA	0,90	NA
SU Fuel Wt- as fired lb	3,85	NA	3,87	NA
SU Fuel wt. - as % of test fuel load	28,5%	NA	28,3%	NA
SU Fuel moisture - % DB	19,0	NA	19,0	NA
SU fuel- Kg DB	1,47	NA	1,47	NA
Test Fuel Load - As Fired lb	13,50	16,45	13,66	16,38
Ave. Test Fuel Load MC % DB	20,77	20,74	20,85	19,69
Test Fuel Load - kg DB	5,07	6,18	5,13	6,21
Test fuel Loading density lb./ft3	10,31	12,55	10,42	12,51
Residual SU fuel wt. - as fired lb.	1,7	NA	1,7	NA
Residual SU fuel wt.- as % of test fuel load	12,6%	NA	12,4%	NA
Test run duration - minutes	106	342	127	188
Test run duration - h	1,77	5,70	2,12	3,13
Test fuel load wt at the end of the test - as fired lb	1,3	0	1,3	0
total fuel burned kg Db	6,10	6,18	6,14	6,21
% Test fuel load wt at end of the test	9,6%	0,0%	9,5%	0,0%

## 2.4 TEST RUN RESULTS SUMMARY

Model name / number	US1100E			
Usable Firebox volume	1,31			
Convection air Fan (no, Standard, option)	option			
Test runs nu.	1,1	1,2	2.1	2.2
Date tested	Feb. 14 <sup>th</sup> 2023	Feb. 14 <sup>th</sup> 2023	Feb. 16 <sup>th</sup> 2023	Feb. 16 <sup>th</sup> 2023
Test run category	H	L	H	M
Burn rate - Kg/hr DB	3,59	1,08	2,99	1,98
Burn rate as % of low to high Midpoint	NA	30,2%	NA	66,2%
Burn duration - h	1,77	5,70	2,12	3,13
Heat output btu/hr	44 027	13 846	35 338	24 469
Average Dilution Tunnel Flow Rate - dscfm	749,1	760,3	735,2	740,8
Average Sample Flow Rates - dscfm				
Train 1	0,1800	0,1876	0,1756	0,1802
train 2	0,1809	0,1874	0,1778	0,1808
Total PM Emissions - g				
Train 1 g	6,60	14,93	7,95	4,45
train 2 g	6,98	14,95	8,69	4,44
Average	6,79	14,94	8,32	4,45
PM emission train precision %	2,77%	0,06%	4,40%	0,17%
PM emission g/kg	1,11	2,42	1,35	0,72
PM emission rate g/h	3,84	2,62	3,93	1,42
PM emission rate output g/Mj	0,119	0,180	0,147	0,055
Total Co Emission g	113,5	409,8	150,2	259,7
Co emission Rate g/h	92,0	71,9	99,0	82,9
1 <sup>st</sup> hour emission rate g/h	4,9	5,6	6,9	2,6
Overall Efficiency - CSA B415,1				
% HHV Basis	64,02%	67,30%	61,65%	65,63%
% LHV Basis	68,89%	72,41%	66,34%	70,61%

## 2.5 WEIGHTED AVERAGE SUMMARY

Model name / number	US1100E		
Usable Firebox volume	1,31		
Convection air Fan (no, Standard, option)	option		
average for each test run category	L	M	H
burn rate kg/h DB	1,08	1,98	3,29
PM Emission rate - g/h	2,62	1,42	3,89
PM Emission rate output gr/Mj	0,180	0,055	0,133
Co emission rate - g/h	71,90	82,90	95,52
1 <sup>st</sup> Hour emission rate	5,59	2,63	5,92
Overall Efficiency - CSA B 415,1			
% HHV Basis	67,3%	65,6%	62,8%
% LHV Basis	72,4%	70,6%	67,6%
Heat output - Btu/hr	13 846	24 469	39 683
Category weighting	0,4	0,4	0,2

## 2.6 WEIGHTED AVERAGE FINAL RESULTS

ASTM E 3053 Weighted averages			
PM Emission Rate - g/h	2,4		
Emission rate output gr/Mj	0,12		
CO weighted Emission Rate g/h	81		
PM Emission 1 <sup>st</sup> hour rate g/h	4,5		
Overall Efficiency - CSA B415,1			
% HHV Basis	66%		
% LHV Basis	71%		
Heat output range - Btu/h	13 846	to	39 683
Co Arithmetic average g/min	1,5		

## 2.7 TEST FACILITY CONDITIONS

Run Number	Room Temperature		Barometric pressure		Relative humidity		Air Velocity	
	Before	After	Before	After	Before	After	Before	After
	(F)	(F)	(in.Hg)	(in.Hg)	(%)	(%)	(ft/min)	(ft/min)
1	71	73	29,88	29,94	30,1	28,6	0	0
2	72	73	29,56	29,56	26,5	29,9	0	0

## 2.8 DILUTION TUNNEL FLOW RATE MEASUREMENTS AND SAMPLING DATA (ASTM E2515)

Average dilution tunnel measurements					Sample Data			
Run Number/ test category	Burn Rate (Min)	Volumetric Flow Rate (dscf/min)	Total Temperatures (°R)	Max wet bulb °F tunnel temp (Highest humidity recorded)	Volume sampled (DSCF)		Particulate catch (mg)	
					1	2	1	2
1.1	106	749,07	556,37	75,99	19,075	19,177	1,70	1,80
1.2	342	760,33	540,86	72,14	64,170	64,100	3,80	3,80
2.1	127	735,27	551,37	77,18	22,307	22,578	1,90	2,10
2.2	188	740,76	545,44	71,78	33,880	33,987	1,20	1,20

- Wet bulb temperatures were recorded every 1 minutes during the test run. The highest single value reported was 77,18°F degrees and this represents a relative humidity value of 44.1% in the dilution tunnel. As this is the highest value and falls below the lowest filtration temperature, we are assured that tunnel humidity was not a concern for filterable PM measurements.

## 2.9 DILUTION TUNNEL DUAL TRAIN PRECISION

Run Number/ test category	Sample Ratio		Total Emission (g)			
	Train 1	Train 2	Train 1	Train 2	% Deviation	Deviation g/Kg
1.1	4162,61	4140,39	6,60	6,98	2,77%	0,062
1.2	4052,24	4056,64	14,93	14,95	0,06%	0,003
2.1	4186,01	4135,74	7,95	8,69	4,40%	0,119
2.2	4110,44	4097,51	4,45	4,44	0,17%	0,002



### 3 PROCESS DESCRIPTION

#### 3.1 DISCUSSION

The wood heater has been received in a good shape by a carrier in January 2023. Aging of the stove for 50 hrs at medium, low and high heat draw at Polytests facility. A maximum burn rate has been done on February 14<sup>th</sup> 2023 followed by a minimum burn rate. On February 16<sup>th</sup> 2023, a second maximum burn followed by a medium burn rate as been done.

#### 3.2 UNIT DIMENSIONS

##### Baffle

- Location: between top of combustion chamber and hearth
- Restriction: 2 X 12 ¼ inches at the front of unit
- Dimensions: covers the hearth area minus the restriction at front
- Material: Gemcolite C-cast ½ thick and a 1-inch wool on top of it.

##### Bricks

- Refractory brick 1 ¼ inch. Thick cover all back and sides and bottom

##### Flue gas exhaust

- Location: Top
- Dimensions: 6 in. diameter
- Material: Cast Iron

##### Gasket

- Door: ¾ fiberglass round
- Glass: 1/8 thick flat auto adhesive fiberglass  
Refer to appendix 6 for all details and location

##### Overall unit dimension

- Firebox dimensions: 18 ¼ in wide x 11 in. deep x 11 ½ to 11 in. high
- Usable volume: 1.31 cuft.
- Overall heater dimension: 22.5 inch wide 21.5inch deep 29 ¼ high

##### Convection fan

- Optional convection fan

##### Catalyst

- None

### 3.3 AIR SUPPLY SYSTEM

#### Description

- Primary air: from the bottom through an air wash above the door.
- Secondary air: From the bottom of the stove through the back and sides and into three stainless tubes with holes.

#### Characterization

The following table shows the inlet and outlet sections of each system. The air introduction system number is referred to on a set of drawings in Appendix 6.

AIR INTRODUCTION SYSTEM		INLET (1) sq. in.			OUTLET (sq. in.)
Identification	Type	Imin	Imax	Controlled	
A *	Primary	0.629	3.120	Yes	8.445
B *	Secondary	1.50	1.699	Yes	2.025
C *	Pilot	primary	primary	Yes	0.221

\* This section would be filled by measuring and comparing with the manufacturer’s drawings included in the test report.

#### Legend

Identification: Tag name referred to on drawings in Appendix 14, section airflow pattern

Type: Characterization of air intake

Imin: Minimum air intake of a particular air channel

Imax: Maximum air intake of a particular air channel

Controlled: Determines if a provision for air control is present

Outlet: Total air outlet of a particular air channel

### 3.4 OPERATION DURING TEST

All runs have been found appropriate, no anomalies happened and all runs below have been validate and found compliant. All load logs have been positioned east-west direction into the firebox. No logs have been debarked, all logs were split to meet individual and total load weight range for the firebox, none of them have been squared, no trapezoidal shape have been used. All wood used was not thermally dried and store as per the method. For each test at the end of the preburn, coal bed was level plane without valleys or ridges before adding the testing load.

#### Run #1.1

This run was performed on February 14<sup>th</sup> 2023. It lasted 106 minutes and a maximum burn rate was obtained at 3.59 kg/hr & emission at 3.8 gr/hr. The convection fan was at on (highest setting) position during the entire test. The air inlet damper was at the maximum setting, pulled by 30.5mm from minimum position.

#### Run #1.2

This run was performed on February 14<sup>th</sup> 2023. It lasted 342 minutes and a minimum burn rate was obtained at 1.08 kg/hr & emission at 2.62 gr/hr. The convection fan was turned at on (highest setting) position at the same time the air setting was position for low. The air inlet control was at the minimum (lowest) setting during the test. the burn rate for the low burn rate category was no greater than the rate that an operator can achieve in home use.

#### Run #2.1

This run was performed on February 16<sup>th</sup> 2023. It lasted 126 minutes and a maximum burn rate was obtained at 3.9 kg/hr & emission at 2.99 gr/hr. The convection fan was at on (highest setting) position during the entire test. The air inlet damper was at the maximum setting, pulled by 30.5mm from minimum position.

#### Run #2.2

This run was performed on February 16<sup>th</sup> 2019. It lasted 188 minutes and a medium burn rate was obtained at 1.98 kg/hr & emission at 1.42 gr/hr. The convection fan was turned at on (highest setting) position at the same time the air setting was position for medium, 16mm pulled form the minimum setting.

- Details: Refer to the front page of each test run data sheets found in appendix for the detailed test sequence showing air supply settings and adjustments, fuel bed adjustments and operational specifics of the test unit.

#### Test fuel

- Type of wood: Cord wood Red Oak, 19 to 25% dry basis moisture content
- Description: for each test, description of the fuel is found on the front page of each test run data sheet together with photograph in appendix.

### 3.5 START-UP OPERATION

The complete manufacturer's firing procedure of each burn rate category is fully described in appendix 13.

### 3.6 SAMPLING LOCATIONS

Particulate samples are collected from the dilution tunnel. The tunnel has two elbows in the system ahead of the sampling section. The sampling section is a continuous section of 12-inch diameter pipe straight over its entire length. Tunnel velocity pressure is determined by a standard pitot tube located upstream from the beginning of the sampling section. Thermocouple is installed on the pitot tube to measure the dry bulb temperature. MC is assumed, as allowed, to be 2%. Tunnel samplers are located downstream of the pitot tube and upstream from the end of this section. All details in appendix 8.

### 3.7 DRAWINGS

Various drawings of the stack gas sampling train and of dilution tunnel system are found in Appendix 8.

### 3.8 EMISSIONS EFFICIENCY TESTING EQUIPMENT LIST

The complete test equipment list together with all corresponding calibration data can be found in Appendix 3.

## 4 SAMPLING METHODS

### 4.1 PARTICULATE SAMPLING

Particulates were sampled in strict accordance with ASTM E2515. This method uses two identical sampling systems with, 47 mm diameter EMFAB TX40H 120-WW Pall filters. The dryers used in the sample systems are filled with "Drierite" before each test run.

## 5 QUALITY ASSURANCE

### 5.1 INSTRUMENT CALIBRATION

#### 5.1.1 GAS METERS

At the conclusion of each test program the gas meters are verified using the reference dry gas meter. This process involves sampling the train operation for 1 cubic foot of volume. With readings made to .01 fr', the resolution is 1 %, giving an accuracy higher than the 2% required by the standard.

#### 5.1.2 SCALES

Before each test program, the different scales used are checked with traceable calibration weights to ensure their accuracy.

#### 5.1.3 GAS ANALYZERS

The continuous analyzers are zeroed and spanned before each test with NBS traceable gases. A mid-scale multi-component calibration gas is then analyzed (values are recorded). At the conclusion of a test, the instruments are checked again with zero, span and calibration gases (values are recorded only). The drift in each meter is then calculated and must not exceed 5% of the scale used for the test.

## 5.2 TEST METHOD PROCEDURES

### 5.2.1 LEAK CHECK PROCEDURES

Before and after each test, each sample train is tested for leaks. Leakage rates are measured and must not exceed 0.02 CFM or 4% of the sampling rate. Leak checks are performed checking the entire sampling train. Pre-test and post-test leak checks are conducted with a vacuum of 5 inches of mercury. Vacuum is monitored during each test and the highest vacuum reached is then used for the post-test vacuum value. If leakage limits are not met, the test run is rejected. During these tests, the vacuum is typically less than 2 inches of mercury. Thus, leakage rates reported are expected to be much higher than actual leakage during the tests.

### 5.2.2 TUNNEL VELOCITY FLOW MEASUREMENT

The tunnel velocity is calculated from a center point pitot tube signal multiplied by an adjustment factor. This factor is determined by a traverse of the tunnel as prescribed in EPA Method 1. Final tunnel velocities and flow rates are calculated from EPA Method 2, Equation 6.9 and 6.10. (Tunnel cross sectional area is the average from both lines of traverse.)

Pitot tubes are cleaned before each test and leak checks are conducted after each test.

### 5.2.3 PM SAMPLING PROPORTIONALITY (ASTM E2515)

Proportionalities were calculated in accordance with ASTM E2515. The data and results are found in appendix.

### 5.2.4 DILUTION TUNNEL RELATIVE HUMIDITY MEASUREMENT

The dilution tunnel wet and dry bulb temperature are measurement with a (Psychrometer) thermocouple wet, with a wetted mesh on it and a dry thermocouple located in the dilution tunnel after the sampling probe location. These measurements must be taken and recorded, at a minimum of every 1 minute. ASTM E0377-15 Standard Test Method for Measuring Humidity with a Psychrometer is followed for these purposes.

## APPENDIX 1: Raw data, forms and results

## Paramètres

Tous les facteurs de corrections et autres paramètres qui peuvent être modifiés par l'utilisateur du fichier sont regroupés ici.

Code verrouillage:

### Description du test

Test standard	EPA
Run #	1
Date	14-02-2023
Technicien	M.M
Project #	PI 20283

### Description de l'unité

Manufacturier	US STOVE	
Modèle	US1100E	
Combustion system	Non-Cat	
Appliance type	WOOD STOVE	
Firebox volume	1,31	cu ft.
Appliance weight empty	n.a	lbs
Fan (no, Standard, Option)	option	

### Paramètres du test

Logging time	1	min
Manufacturer's rated heat output	n.a	BTU/h Donnée fournie par le manufacturier
Targeted category	1	
Targeted output	n.a	BTU/h
Cp steel	n.a	BTU/lb-°F

### Échantillonnage

Blank sampling rate	0,20	cuft/min
Internal probe diameter	0,18	in.
Calibration Factor (DGM #1):	1,000	Dimensionless
Equipment number (DGM #1):	EM 178	
Calibration Factor (DGM #2):	1,006	Dimensionless
Equipment number (DGM #2):	EM 318	
Calibration Factor (DGM room):	1,003	Dimensionless
Equipment number (DGM room):	EM 179	Dimensionless
Calibration Factor (DGM 1st Hr):	0,999	Dimensionless
Equipment number (DGM 1st Hr):	EM 130	Dimensionless

### Tunnel

Targeted tunnel flow rate	700	scfm
Tunnel diameter	12	in.
Molecular weight	29	29 as per ASTM E2515
Pitot tube type	Standard	
Pitot tube coefficient	0,99	Dimensionless

Project nu.	PI 20283
Date	14-02-2023
Technicien	m.m.

### Fuel data

Fuel type	Cord
Fuel specie	Oak
HHV	20207,0 kJ/kg
%C	49,5
%H	6,6
%O	43,7
%Ash	0,2
HHV	8689,9 Btu/lb
LHV	7600,4 Btu/lb

Default Fuel Values		
	D. Fir	Oak/Maple
HHV	19 810	20 207
%C	48,73	49,5
%H	6,87	6,62
%O	43,9	43,7
%Ash	0,5	0,2
HHV (Btu/lb)	8519	8690
LHV (Btu/lb)	7451	7600

Adjunct to ASTM E XXXX Wood Heater Cordwood Test Method - May 10, 2017 Version

Cordwood Fuel Load Calculators - 10 lb/ft<sup>3</sup> Nominal Load Density

Core 45-65% of Total Load Weight, Remainder 35-55% of Total Load Weight

Values to be input manually

For All Usable Firebox Volumes - High Fire Test Only						
Nominal Required Load Density (wet basis)	10	lb/ft <sup>3</sup>				
Usable Firebox Volume	1,31	ft <sup>3</sup>				
Total Nom. Load Wt. Target	13,10	lb				
Total Load Wt. Allowable Range	12,40	to	13,80	lb		
Core Target Wt. Allowable Range	5,90	to	8,50	lb		
Remainder Load Wt. Allowable Range	4,60	to	7,20	lb		
					Mid-Point	
Core Load Pc. Wt. Allowable Range	2,00	to	3,30	lb	2,65	
Remainder Load Pc. Wt. Allowable Range	1,30	to	7,20	lb	4,25	
		Pc. #				
Core Load Piece Wt. Actual	1	2,58	lb	In Range		
	2	2,70	lb	In Range		
	3	2,72	lb	In Range		
Core Load Total. Wt. Actual		8,00	lb	In Range		
		Pc. #				
Remainder Load Piece Wt.	1	5,50	lb	In Range		
(1 to 3 Pcs.)	2		lb	NA		
	3		lb	NA		
Remainder Load Tot. Wt. Act		5,50	lb	In Range		
Total Load Wt. Actual		13,50	lb	In Range		
Core % of Total Wt.		59%		In Range	45-65%	
Remainder % of Total Wt.		41%		In Range	35-55%	
Actual Load % of Nominal Target		103%		In Range	95-105%	
Actual Fuel Load Density		10,3	lb/ft <sup>3</sup>			
<u>Kindling and Start-up Fuel</u>						
Maximum Kindling Wt. (20% of Tot. Load Wt.)		2,70	lb			
Actual Kindling Wt.		2,23	lb	In Range	16,5%	
Maximum Start-up Fuel Wt. (30% of Tot. Load Wt.)		4,05	lb			
Actual Start-up Fuel Wt.		3,85	lb	In Range	28,5%	
Allowable Residual Start-up Fuel Wt. Range	1,4	to	2,7	lb	Mid-Point	
Actual Residual Start-up Fuel Wt.		1,7	lb	In Range	2,0	
Total Wt. All Fuel Added (wet basis)		19,58	lb			
<u>High Fire Test Run End Point Range</u>						
	Low		High		Mid-Point	
Based on Fuel Load Wt. (w/tares)	1,2	to	1,5	lb	1,4	
Actual Fuel Load Ending Wt.		1,3	lb	In Range		

Fuel Piece Moisture Reading (%-dry basis)							
	1	2	3	Ave.		Pc. Wt. Dry Basis	
	21,7	22	19,9	21,2	In Range	2,13	0,97
	21,9	21	19,6	20,8	In Range	2,23	1,01
	20,5	20,1	19,3	20,0	In Range	2,27	1,03
	21,9	21,1	19,8	20,9	In Range	4,55	2,06
				NA	NA	NA	NA
				NA	NA	NA	NA
Total Load Ave. MC (%-dry basis)				20,8	In Range		
Total Load Ave. MC % (wet basis)				17,2			
Total Test Load Weight (dry basis)						11,18	5,07
<u>Kindling Moisture (%-dry basis)</u>							
	10	10	10	10,0	In Range	2,03	0,92
<u>Start-up Fuel Moisture Readings (%-dry basis)</u>							
	19	19	19	19,0	In Range	3,24	1,47
Total Wt. All Fuel Added (dry basis)						16,44	7,46
Total Wt. All Fuel Burned (dry basis)						13,4	6,1
Total Wt. All Fuel Burned (wet basis)						16,6	7,5

Load pieces Length in. 16 in.



Adjunct to ASTM E XXXX Wood Heater Cordwood Test Method - May 10, 2017 Version  
 Cordwood Fuel Load Calculators - 12 lb/ft<sup>3</sup> Nominal Load Density  
 Core 45-65% of Total Load Weight, Remainder 35-55% of Total Load Weight  
 Values to be input manually

THIS DOCUMENT IS NOT AN ASTM STANDARD. IT IS UNDER CONSIDERATION WITHIN AN ASTM TECHNICAL COMMITTEE BUT HAS NOT RECEIVED ALL APPROVALS REQUIRED TO BECOME AN ASTM STANDARD. IT SHALL NOT BE REPRODUCED OR CIRCULATED OR QUOTED, IN WHOLE OR IN PART, OUTSIDE OF ASTM COMMITTEE ACTIVITIES EXCEPT WITH THE APPROVAL OF THE CHAIRMAN OF THE COMMITTEE HAVING JURISDICTION AND THE PRESIDENT OF THE SOCIETY. COPYRIGHT ASTM, 100 BARR HARBOR DRIVE, WEST CONSHOHOCKEN, PA 19428. ALL RIGHTS RESERVED.

For Usable Firebox Volumes up to 3.0 ft <sup>3</sup> - Low and Medium Fire				
Nominal Required Load Density (wet basis)	12	lb/ft <sup>3</sup>		
Usable Firebox Volume	1,31	ft <sup>3</sup>		
Total Nom. Load Wt. Target	15,72	lb		
Total Load Wt. Allowable Range	14,93	to 16,51	lb	
Core Target Wt. Allowable Range	7,074	to 10,22	lb	
Remainder Load Wt. Allowable Range	5,50	to 8,65	lb	
				Mid-Point
Core Load Fuel Pc. Wt. Allowable Range	2,36	to 3,93	lb	3,14
Remainder Load Pc. Wt. Allowable Range	1,57	to 4,72	lb	3,14
	Pc. #			
Core Load Piece Wt. Actual	1	3,28	lb	In Range
	2	3,32	lb	In Range
	3	3,32	lb	In Range
Core Load Total. Wt. Actual		9,92	lb	In Range
	Pc. #			
Remainder Load Piece Wt.	1	4,50	lb	In Range
(2 or 3 Pcs.)	2	2,03	lb	In Range
	3		lb	NA
Remainder Load Piece Weight Ratio - Small/Large		45%		≤ 67%
Remainder Load Tot. Wt. Act		6,53	lb	In Range
Total Load Wt. Actual		16,45	lb	In Range
Core % of Total Wt.		60%		In Range 45-65%
Remainder % of Total Wt.		40%		In Range 35-55%
Actual Load % of Nominal Target		105%		In Range 95-105%
Actual Fuel Load Density		12,6	lb/ft <sup>3</sup>	
Allowable Charcoal Bed Wt. Range (lb)	1,7	to 3,2		Mid-Point
Actual Charcoal Bed Wt.		1,8	lb	In Range 2,5
Actual Fuel Load Ending Wt.		0,0	lb	Valid Test ≥ 90%
Total Wt. of Fuel Burned During Test Run lb.		16,4	lb	
Load pieces Length in.		16	in.	

Fuel Piece Moisture Reading (%-dry basis)				Pc. Wt. Dry Basis					
1	2	3	Ave.	In Range					
22,1	19,5	19,1	20,2	In Range	2,73	lb	1,24	kg	
20,5	22,8	18,9	20,7	In Range	2,75	lb	1,25	kg	
19,6	18,6	19	19,1	In Range	2,78	lb	1,26	kg	
22,1	23,7	20,7	22,2	In Range	3,68	lb	1,67	kg	
21,7	22,1	19,8	21,2	In Range	1,67	lb	0,76	kg	
			NA	NA	NA	lb	NA	kg	
Total Load Ave. MC % (dry basis)				20,7	In Range				
Total Load Ave. MC % (wet basis)				17,2					
Total Test Load Weight (dry basis)						13,62	lb	6,18	kg
Total Fuel Weight Burned During Test Run (dry basis)						13,6	lb	6,18	kg

	Start	End
Barometer (kPa):	101,2	101,4
Barometer (in.Hg):	29,884349	29,94340873
Dry Bulb (F):	71,2	73,3
Humidity (%):	30,1	28,6
Air velocity (ft/min)	0	0

High fire test			
DGM #1st hr	Final:	1962,300 cuft	Final: 1962,300 cuft
	Initial:	1950,490 cuft	Initial: 1950,490 cuft
DGM #1	Final:	27396,560 cuft	Final: 775784,180 Liter
	Initial:	27376,545 cuft	Initial: 775217,410 Liter
DGM #2	Final:	18474,406 cuft	Final: 523136,900 Liter
	Initial:	18454,269 cuft	Initial: 522566,680 Liter
DGM room	Final:	15151,714 cuft	Final: 429048,750 Liter
	Initial:	15135,016 cuft	Initial: 428575,910 Liter

min or med burnrate			
DGM #1st hr	Final:	1974,420 cuft	Final: 1974,420 cuft
	Initial:	1962,600 cuft	Initial: 1962,600 cuft
DGM #1	Final:	27463,776 cuft	Final: 777687,510 Liter
	Initial:	27396,615 cuft	Initial: 775785,720 Liter
DGM #2	Final:	18541,268 cuft	Final: 525030,220 Liter
	Initial:	18474,461 cuft	Initial: 523138,460 Liter
DGM room	Final:	15207,948 cuft	Final: 430641,130 Liter
	Initial:	15151,777 cuft	Initial: 429050,550 Liter

Numéro de la ligne dans "Raw data" à partir duquel les données du test commence	35
Numéro de la ligne dans "Raw data" à partir duquel les données du highfire test commence	66
Numéro de la ligne dans "Raw data" à partir duquel les données du min ou medium fire test commence	157

Autres données à rentrer: dans preload data, load data, traverse et filter set weight

<b>Project nu.</b>	PI 20283
<b>Date</b>	14-02-2023
<b>Technicien</b>	m.m.

**Filter set weight highfire**

	System 1 (g) 1st hour			System 1 (g)			System 2 (g)			Ambient blank (g)	Date	Time	Test End date & time
	probe	front / Back	gasket	probe	front / Back	gasket	probe	front / Back	gasket	Filter			
Number	11	528-529	30	12	532-533	34	40	534-549	45	550			2023-02-14
Before (1)													
Before (2)													
Before (3)													
Before (4)													
Before (5)	93,7182	0,1814	34,0119	94,5380	0,1822	35,0840	110,1010	0,1891	34,2735	0,0893	2023-02-13	17:00	
Before (6)	93,7183	0,1813	34,0118	94,5379	0,1823	35,0839	110,1010	0,1892	34,2736	0,0893	2023-02-14	09:00	
After (1)	93,7195	0,1834	34,0129	94,5388	0,1849	35,0847	110,1020	0,1920	34,2748	0,0895	2023-02-14	15:00	14:00
After (2)	93,7183	0,1827	34,0118	94,5379	0,1841	35,0839	110,1010	0,1911	34,2736	0,0894	2023-02-17	09:00	
After (3)	93,7183	0,1826	34,0118	94,5379	0,1840	35,0839	110,1010	0,1910	34,2736	0,0894	2023-02-20	09:00	
After (4)													
After (5)													
After (6)	93,7183	0,1826	34,0118	94,5379	0,1840	35,0839	110,1010	0,1910	34,2736	0,0894	2023-02-20	09:00	
Difference	0,0000	0,0013	0,0000	0,0000	0,0017	0,0000	0,0000	0,0018	0,0000	0,0001			
Total (mg)		1,3			1,7			1,8		0,1			
Total ajusté (mg)		<b>1,20</b>			<b>1,70</b>			<b>1,70</b>					

<b>Project nu.</b>	PI 20283
<b>Date</b>	14-02-2023
<b>Technicien</b>	M.M

**Filter set weight Low/ medium fire**

	System 1 (g) 1st hour			System 1 (g)			System 2 (g)			Ambient blank (g)	Date	Time	Test End date & time
	probe	front / Back	gasket	probe	front / Back	gasket	probe	front / Back	gasket	Filter			
Number	4	542-543	41	9	544-545	42	43	546-547	44	548			2023-02-14
Before (1)													
Before (2)													
Before (3)													
Before (4)													
Before (5)	61,3975	0,1800	33,3329	61,4550	0,1816	34,5352	109,1648	0,1797	34,5123	0,0903	2023-02-13	17:00	
Before (6)	61,3974	0,1800	33,3328	61,4549	0,1815	34,5353	109,1647	0,1796	34,5124	0,0904	2023-02-14	10:00	
After (1)	61,3976	0,1815	33,3345	61,4550	0,1856	34,5369	109,1651	0,1838	34,5144	0,0906	2023-02-14	20:30	20:00
After (2)	61,3974	0,1815	33,3328	61,4549	0,1854	34,5353	109,1647	0,1835	34,5124	0,0905	2023-02-17	09:00	
After (3)	61,3974	0,1814	33,3328	61,4549	0,1853	34,5353	109,1647	0,1834	34,5124	0,0905	2023-02-20	09:00	
After (4)													
After (5)													
After (6)	61,3974	0,1814	33,3328	61,4549	0,1853	34,5353	109,1647	0,1834	34,5124	0,0905	2023-02-20	09:00	
Difference	0,0000	0,0014	0,0000	0,0000	0,0038	0,0000	0,0000	0,0038	0,0000	0,0001			
Total (mg)		1,4			3,8			3,8		0,1			
Total ajusté (mg)		<b>1,30</b>			<b>3,70</b>			<b>3,70</b>					

<b>Project nu.</b>	PI 20283
<b>Date</b>	14-02-2023
<b>Technicien</b>	M.M

SFBA EPA EMISSION RESULTS

RESULTS

**Average emission rate:** 3,8 g/hr

**Test Duration:** 106 min

Burn Rate : 3,586 Dry kg/hr

PRESSURE FACTOR: DGM 1st hr 0,96424  
 DGM 1 0,96182  
 DGM 2 0,96245  
 DGM room 0,99980

BAROMETRIC PRESSURE  
 Average: 29,91387874 in Hg  
 Start: 29,88434875 in Hg  
 End: 29,94340873 in Hg

TEMPERATURE FACTORS DGM 1st hr 0,99146  
 DGM 1 0,99131  
 DGM 2 0,98354  
 DGM room 0,99291

DGM CONTROLLER VALUES  
 DGM 1st hr Final: 1962,300 Cuft  
 Initial: 1950,490 Cuft

VOLUMES SAMPLED DGM 1st hr 11,273 SCft  
 DGM 1 19,075 SCft  
 DGM 2 19,177 SCft  
 DGM room 16,625 SCft

DGM 1 Final: 27396,560 Cuft  
 Initial: 27376,545 Cuft  
 DGM 2 Final: 18474,406 Cuft  
 Initial: 18454,269 Cuft

TOTAL TUNNEL VOLUME : 79402

DGMroom Final: 15151,714 Cuft  
 Initial: 15135,016 Cuft

SAMPLE RATIOS  
 Sample Train 1st Hr: 3986,759  
 Sample Train 1: 4162,608  
 Sample Train 2: 4140,390

TEMPERATURES  
 DGM 1st hr 532,550 °R  
 DGM 1 532,627 °R  
 DGM 2 536,837 °R

Particulate concentration  
 Sample Train 1st Hr **0,000115** g/dscf  
 Sample Train 1 **0,000089** g/dscf  
 Sample Train 2 **0,000094** g/dscf  
 Room **0,000006** g/dscf

CALIBRATION FACTORS  
 DGM 1st Hr 0,9985  
 DGM 1 0,9995  
 DGM 2 1,0061  
 DGM room 1,0030

TOTAL EMISSIONS  
 Sample Train 1st Hr **4,91** g  
 Sample Train 1 **6,60** g  
 Sample Train 2 **6,98** g

TUNNEL FLOW RATE: 749,074 Dscfm

PARTICULATE CATCH  
 Total Sample Train 1: 1,70 mg  
 Total Sample Train 2: 1,80 mg  
 Total Sample Train 1 1st hour: 1,30 mg

EMISSION RATES  
 Sample Train 1st Hr **4,91** g/hr  
 Sample Train 1 **3,74** g/hr  
 Sample Train 2 **3,95** g/hr

DEVIATION: 2,77%

Cs Train 1 Train 2 Train 1st Hr  
 8,912E-05 9,3861E-05 0,0001153



SFBA EPA EMISSION RESULTS

RESULTS

**Average emission rate:** 2,62 g/hr

**Test Duration:** 342 min

Burn Rate : 1,084 Dry kg/hr

PRESSURE FACTOR: DGM 1st hr 0,96751  
 DGM 1 0,96554  
 DGM 2 0,97169  
 DGM room 0,99980

BAROMETRIC PRESSURE  
 Average: 29,91387874 in Hg  
 Start: 29,88434875 in Hg  
 End: 29,94340873 in Hg

TEMPERATURE FACTORS DGM 1st hr 0,98604  
 DGM 1 0,99002  
 DGM 2 0,98151  
 DGM room 0,99299

DGM CONTROLLER VALUES  
 DGM 1st hr Final: 1974,420 Cuft  
 Initial: 1962,600 Cuft

VOLUMES SAMPLED DGM 1st hr 11,259 SCft  
 DGM 1 64,170 SCft  
 DGM 2 64,100 SCft  
 DGM room 55,930 SCft

DGM 1 Final: 27463,776 Cuft  
 Initial: 27396,615 Cuft

DGM 2 Final: 18541,268 Cuft  
 Initial: 18474,461 Cuft

TOTAL TUNNEL VOLUME : 260032

DGM Room Final: 15207,948 Cuft  
 Initial: 15151,777 Cuft

SAMPLE RATIOS  
 Sample Train 1st Hr: 4051,705  
 Sample Train 1: 4052,240  
 Sample Train 2: 4056,635

TEMPERATURES  
 DGM 1st hr 535,476 °R  
 DGM 1 533,324 °R  
 DGM 2 537,948 °R

Patriculate concentration  
 Sample Train 1st Hr **0,000124** g/dscf  
 Sample Train 1 **0,000059** g/dscf  
 Sample Train 2 **0,000059** g/dscf  
 Room **0,000002** g/dscf

CALIBRATION FACTORS  
 DGM 1st Hr 0,9985  
 DGM 1 0,9995  
 DGM 2 1,0061  
 DGM Room 1,0030

TOTAL EMISSIONS  
 Sample Train 1st Hr **5,59** g  
 Sample Train 1 **14,93** g  
 Sample Train 2 **14,95** g

TUNNEL FLOW RATE: 760,328 Dscfm

PARTICULATE CATCH  
 Total Sample Train 1: 3,80 mg  
 Total Sample Train 2: 3,80 mg  
 Total Sample Train 1 1st hour: 1,40 mg

EMISSION RATES  
 Sample Train 1st Hr **5,59** g/hr  
 Sample Train 1 **2,62** g/hr  
 Sample Train 2 **2,62** g/hr

TUNNEL FLOW RATE: 760,328 Dscfm

DEVIATION: 0,06%

Cs Train 1 Train 2 Train 1st Hr  
 5,92177E-05 5,9282E-05 0,0001243





122.0	278.0	3.6	0.8	4.4	276.1	71.6	79.9	395.1	270.3	368.8	386.7	251.9	0.00	74.9	74.3	0.19	73.51	73.62	86.40	0.19	76.93	79.19	82.37	0.07	0.29	-0.09	-1.02	-0.84	-124,419.9	60.85
123.0	280.0	3.5	0.8	4.4	273.7	71.6	79.7	390.9	268.9	366.9	384.8	252.8	0.00	74.8	74.2	0.19	73.46	73.51	85.83	0.19	76.92	79.16	82.37	0.07	0.28	-0.10	-1.03	-0.84	-123,035.6	60.85
124.0	281.0	3.5	0.8	4.4	271.1	71.4	79.7	386.7	267.1	364.5	382.5	252.2	0.00	74.8	74.2	0.19	73.47	73.59	85.40	0.19	76.96	79.13	86.69	0.07	0.28	-0.10	-1.03	-0.84	-128,086.0	60.67
125.0	280.0	3.5	0.8	4.4	269.3	71.6	79.2	383.3	265.1	362.9	381.2	253.7	0.00	74.8	74.2	0.19	73.43	73.60	84.90	0.19	76.94	79.08	86.69	0.07	0.28	-0.10	-1.02	-0.84	-129,768.6	60.50
126.0	283.0	3.4	0.8	4.4	268.0	71.6	78.8	380.0	264.2	361.2	378.2	254.2	0.00	74.8	74.2	0.19	73.41	73.62	84.42	0.19	76.92	79.04	86.69	0.07	0.28	-0.10	-1.03	-0.84	-130,414.6	60.50
127.0	284.0	3.4	0.7	4.5	266.2	71.7	79.0	377.2	263.7	359.1	379.2	255.6	0.00	74.7	74.1	0.19	73.39	73.57	83.81	0.19	76.87	78.99	85.15	0.07	0.28	-0.10	-1.04	-0.85	-132,079.9	60.39
128.0	283.0	3.4	0.7	4.5	265.8	72.0	79.1	374.6	262.2	357.5	378.4	255.8	0.00	74.6	74.0	0.19	73.43	73.55	83.35	0.19	76.85	78.95	84.53	0.07	0.27	-0.10	-1.03	-0.85	-133,399.0	60.43
129.0	286.0	3.3	0.7	4.6	265.5	71.8	78.9	372.7	261.5	355.5	376.9	254.9	0.00	74.5	73.9	0.19	73.49	73.53	82.76	0.19	76.89	78.92	85.07	0.07	0.26	-0.09	-1.05	-0.85	-134,989.0	60.27
130.0	287.0	3.3	0.7	4.6	264.3	71.8	78.9	371.2	260.7	353.3	374.2	255.8	0.00	74.5	73.9	0.19	73.46	73.52	82.51	0.18	76.89	78.89	83.46	0.07	0.27	-0.10	-1.03	-0.84	-135,767.3	60.39
131.0	286.0	3.3	0.7	4.6	263.6	71.7	78.8	369.4	260.1	353.0	372.1	256.7	0.00	74.5	73.9	0.19	73.45	73.50	82.13	0.18	76.88	78.87	83.01	0.07	0.27	-0.09	-1.03	-0.85	-136,573.0	60.30
132.0	289.0	3.2	0.7	4.7	262.8	71.8	78.4	367.3	259.5	350.9	369.9	257.1	0.00	74.4	73.8	0.19	73.44	73.57	81.45	0.19	76.85	78.84	82.52	0.07	0.28	-0.11	-1.04	-0.85	-138,111.5	60.20
133.0	289.0	3.2	0.7	4.7	260.4	71.7	78.5	363.7	259.0	349.5	366.9	258.5	0.00	74.4	73.8	0.19	73.38	73.49	81.37	0.19	76.81	78.81	82.10	0.07	0.27	-0.09	-1.04	-0.85	-137,988.7	60.20
134.0	291.0	3.2	0.7	4.7	260.4	71.7	78.5	360.9	259.0	349.5	366.9	258.5	0.00	74.4	73.8	0.19	73.37	73.47	81.01	0.19	76.76	78.80	81.70	0.07	0.28	-0.09	-1.04	-0.85	-138,671.7	60.20
135.0	292.0	3.1	0.7	4.6	259.2	71.6	78.2	364.1	259.0	349.5	365.5	258.7	0.00	74.4	73.8	0.19	73.26	73.48	83.69	0.19	76.78	78.84	81.32	0.07	0.27	-0.10	-1.03	-0.85	-140,144.6	60.20
136.0	293.0	3.1	0.7	4.6	259.4	71.5	78.5	363.0	259.0	347.5	365.8	258.7	0.00	74.3	73.8	0.19	73.19	73.46	86.71	0.19	76.71	78.85	80.95	0.07	0.27	-0.10	-1.05	-0.85	-139,588.0	60.05
137.0	294.0	3.1	0.7	4.6	258.4	71.6	78.6	362.0	258.7	347.2	365.8	258.2	0.00	74.3	73.8	0.19	73.16	73.37	86.14	0.19	76.75	78.82	80.57	0.07	0.26	-0.09	-1.05	-0.86	-140,165.7	60.23
138.0	295.0	3.0	0.7	4.6	257.3	71.7	78.5	360.3	257.7	345.8	364.1	260.1	0.00	74.3	73.7	0.19	73.11	73.33	85.58	0.19	76.75	78.86	80.54	0.07	0.26	-0.10	-1.05	-0.87	-141,476.0	60.18
139.0	296.0	3.0	0.7	4.6	256.8	71.7	78.5	359.5	256.7	345.8	363.2	260.3	0.00	74.2	73.7	0.19	73.25	73.34	85.08	0.18	76.65	78.86	80.37	0.07	0.26	-0.10	-1.04	-0.86	-141,924.6	60.19
140.0	297.0	3.0	0.7	4.7	257.4	71.5	78.5	359.3	256.6	346.0	361.1	260.0	0.00	74.2	73.7	0.19	73.23	73.36	84.59	0.19	76.65	78.75	80.77	0.07	0.27	-0.10	-1.04	-0.86	-142,544.4	60.22
141.0	298.0	2.9	0.6	4.7	258.5	71.7	78.4	359.1	256.6	345.5	361.3	261.8	0.00	74.2	73.7	0.19	73.21	73.35	84.03	0.19	76.63	78.82	80.68	0.07	0.26	-0.09	-1.05	-0.86	-142,804.0	60.25
142.0	299.0	2.9	0.6	4.8	257.8	71.7	78.1	358.8	255.5	345.7	360.4	262.1	0.00	74.2	73.7	0.19	73.11	73.33	83.54	0.19	76.62	78.84	80.47	0.07	0.27	-0.09	-1.05	-0.86	-142,394.0	60.19
143.0	300.0	2.9	0.6	4.9	258.2	71.8	78.1	358.9	255.5	345.8	359.2	261.0	0.00	74.1	73.6	0.19	73.07	73.31	83.09	0.19	76.59	78.93	82.89	0.07	0.26	-0.09	-1.05	-0.86	-142,939.0	60.15
144.0	301.0	2.8	0.6	4.9	259.6	71.7	78.1	359.3	255.3	346.2	358.2	262.2	0.00	74.1	73.6	0.19	73.09	73.30	82.67	0.18	76.60	79.00	80.36	0.07	0.27	-0.09	-1.05	-0.86	-142,791.0	60.15
145.0	302.0	2.8	0.6	4.9	260.6	71.8	78.2	358.9	255.7	346.5	358.2	263.2	0.00	74.1	73.6	0.19	73.12	73.27	82.85	0.18	76.57	78.86	82.85	0.07	0.27	-0.10	-1.04	-0.86	-142,528.0	60.23
146.0	303.0	2.8	0.6	4.9	261.7	71.7	78.0	360.0	256.5	346.4	357.0	261.8	0.00	74.1	73.6	0.19	73.18	73.28	81.84	0.19	76.65	78.84	82.07	0.07	0.27	-0.09	-1.05	-0.86	-142,654.0	60.19
147.0	304.0	2.7	0.6	4.9	262.4	71.6	78.1	360.7	256.3	348.1	355.9	262.3	0.00	74.0	73.6	0.19	73.12	73.30	81.68	0.18	76.64	78.77	82.98	0.07	0.26	-0.10	-1.05	-0.86	-142,878.0	60.22
148.0	305.0	2.7	0.6	4.8	262.8	71.7	78.3	361.8	257.1	348.7	354.8	262.4	0.00	74.0	73.6	0.18	73.10	73.31	81.14	0.18	76.67	78.73	81.60	0.07	0.27	-0.10	-1.05	-0.86	-142,051.4	60.23
149.0	306.0	2.7	0.6	4.8	262.9	71.8	78.1	362.7	257.9	349.1	354.3	262.6	0.00	74.0	73.5	0.18	73.08	73.31	83.03	0.19	76.67	78.73	81.25	0.07	0.27	-0.10	-1.05	-0.86	-141,647.0	60.21
150.0	307.0	2.7	0.6	4.8	263.7	71.6	78.2	363.6	258.7	349.9	353.0	263.4	0.00	74.0	73.5	0.19	73.11	73.28	82.63	0.19	76.67	78.85	80.87	0.07	0.27	-0.10	-1.04	-0.87	-142,523.0	60.22
151.0	308.0	2.6	0.6	4.8	263.5	71.7	78.5	364.7	259.6	349.7	353.6	264.5	0.00	74.0	73.5	0.19	73.05	73.32	86.09	0.19	76.63	78.65	83.21	0.07	0.27	-0.10	-1.07	-0.87	-140,507.0	60.44
152.0	309.0	2.6	0.6	4.8	263.9	71.8	78.6	365.5	260.3	350.0	354.6	264.0	0.00	74.0	73.5	0.19	73.10	73.28	85.91	0.19	76.64	78.64	86.05	0.07	0.27	-0.10	-1.07	-0.87	-139,952.0	60.44
153.0	310.0	2.6	0.6	4.9	263.0	71.8	78.7	366.7	261.0	350.3	354.2	264.9	0.00	74.0	73.5	0.19	73.09	73.21	84.41	0.19	76.65	78.63	86.61	0.07	0.27	-0.10	-1.07	-0.88	-140,699.0	60.49
154.0	311.0	2.5	0.6	4.9	262.7	71.9	78.8	367.2	261.1	350.5	353.8	264.4	0.00	73.9	73.5	0.18	73.10	73.28	84.92	0.19	76.68	78.59	86.17	0.07	0.27	-0.10	-1.07	-0.89	-139,806.4	60.48
155.0	312.0	2.5	0.6	4.9	262.4	71.8	78.9	367.5	261.4	351.1	354.1	264.3	0.00	73.9	73.5	0.19	73.18	73.30	84.43	0.19	76.71	78.57	85.57	0.07	0.27	-0.10	-1.06	-0.89	-139,339.0	60.54
156.0	313.0	2.4	0.6	4.9	261.4	71.9	78.9	367.4	261.4	351.4	354.1	264.3	0.00	73.9	73.5	0.19	73.23	73.32	83.62	0.19	76.70	78.59	84.95	0.07	0.27	-0.10	-1.06	-0.89	-140,258.0	60.54
157.0	314.0	2.4	0.6	4.8	263.5	71.9	78.9	367.0	262.2	352.7	354.6	264.9	0.00	73.9	73.4	0.19	73.32	73.33	83.09	0.19	76.73	78.52	84.42	0.07	0.27	-0.09	-1.07	-0.89	-138,732.0	60.53
158.0	315.0	2.4	0.6	4.7	263.5	71.7	78.7	366.9	262.9	352.7	354.4	265.1	0.00	73.9	73.4	0.19	73.31	73.36	83.04	0.19	76.80	78.52	83.89	0.07	0.27	-0.10	-1.08	-0.89	-138,619.0	60.46
159.0	316.0	2.3	0.6	4.9	263.9	71.8	78.9	367.5	263.4	353.9	355.7	264.9	0.00	73.9	73.4	0.19	73.32	73.35	82.59	0.18	76.83	78.53	83.66	0.07	0.26	-0.10	-1.08	-0.89	-138,748.0	60.46
160.0	317.0	2.3	0.5	4.9	266.5	71.6	78.4	367.3	264.9	353.9	355.1	264.9	0.00	73.9	73.4	0.19	73.19	73.32	82.01	0.18	76.70	78.52	82.86	0.07	0.28	-0.14	-1.07	-0.89	-137,833.0	60.38
161.0	318.0	2.3	0.5	4.8	266.6	71.6	78.5	367.0	264.2	354.7	354.3	265.2	0.00	73.9	73.4	0.19	73.15	73.33	81.83	0.18	76.66	78.58	82.43	0.07	0.27	-0.10	-1.08	-0.89	-137,958.0	60.38
162.0	319.0	2.3	0.5	4.8	267.0	71.7	78.7	367.6	264.9	355.7	355.7	266.2	0.00	73.9	73.4	0.19	73.20	73.32	81.63	0.18	76.67	78.50	82.07	0.07	0.27	-0.				

246.0	403.0	1.0	0.6	3.4	212.7	71.5	77.2	287.4	255.5	299.4	319.3	287.5	0.00	73.2	72.8	0.18	72.89	72.77	81.94	0.19	76.05	77.83	83.95	0.07	0.22	-0.09	-1.06	-0.88	-169.0083	59.53
247.0	404.0	1.0	0.6	3.2	212.4	71.5	77.1	286.9	255.8	298.2	319.5	287.7	0.00	73.2	72.8	0.19	72.88	72.77	81.54	0.19	76.01	77.85	83.37	0.07	0.22	-0.09	-1.06	-0.87	-169.4124	59.49
248.0	405.0	1.0	0.6	3.3	212.6	71.4	77.3	286.4	255.6	297.7	318.9	286.9	0.00	73.2	72.8	0.18	72.84	72.74	81.17	0.18	75.98	77.85	82.90	0.07	0.22	-0.08	-1.06	-0.87	-169.9124	59.55
249.0	406.0	0.9	0.6	3.3	212.3	71.4	77.2	286.0	255.8	296.7	318.6	286.4	0.00	73.2	72.8	0.19	72.81	72.71	81.18	0.19	75.97	77.82	82.43	0.07	0.21	-0.09	-1.06	-0.87	-170.3304	59.54
250.0	407.0	1.0	0.6	3.2	211.9	71.4	77.0	285.4	255.3	295.7	318.2	286.3	0.00	73.2	72.8	0.19	72.78	72.67	80.75	0.18	75.93	77.81	81.99	0.07	0.21	-0.09	-1.06	-0.87	-170.8339	59.51
251.0	408.0	0.9	0.6	3.3	211.9	71.3	77.2	284.8	255.3	294.2	317.5	284.1	0.00	73.2	72.8	0.19	72.73	72.67	80.70	0.19	75.93	77.78	81.54	0.07	0.21	-0.09	-1.06	-0.88	-171.5459	59.51
252.0	409.0	0.9	0.6	3.3	211.6	71.4	77.2	284.5	255.6	294.2	317.1	284.1	0.00	73.2	72.8	0.18	72.73	72.65	80.29	0.19	75.90	77.75	81.15	0.07	0.21	-0.09	-1.07	-0.87	-171.9298	59.55
253.0	410.0	0.6	0.6	3.2	210.4	71.4	77.2	283.7	254.4	293.2	316.7	284.1	0.00	73.2	72.8	0.19	72.74	72.63	80.11	0.19	75.87	77.73	80.71	0.07	0.21	-0.09	-1.07	-0.87	-172.4449	59.57
254.0	411.0	0.9	0.6	3.3	210.1	71.4	76.8	283.4	254.8	292.5	316.9	283.5	0.00	73.2	72.8	0.19	72.75	72.63	85.14	0.19	75.89	77.75	83.93	0.07	0.22	-0.09	-1.08	-0.89	-172.6227	59.58
255.0	412.0	0.9	0.6	3.3	208.9	71.4	76.9	283.1	255.6	291.4	316.5	282.5	0.00	73.2	72.7	0.19	72.79	72.62	84.56	0.18	75.94	77.71	86.29	0.07	0.21	-0.09	-1.08	-0.89	-173.2853	59.49
256.0	413.0	0.6	0.6	3.2	208.2	71.4	76.8	282.2	254.4	290.4	316.1	282.5	0.00	73.2	72.7	0.19	72.78	72.61	83.81	0.18	75.93	77.67	84.54	0.07	0.21	-0.09	-1.08	-0.89	-173.9173	59.58
257.0	414.0	0.9	0.6	3.2	208.7	71.5	77.1	281.7	255.1	291.1	315.4	281.9	0.00	73.1	72.7	0.19	72.82	72.68	83.52	0.19	75.98	77.73	85.98	0.07	0.21	-0.09	-1.06	-0.88	-174.0323	59.52
258.0	415.0	0.8	0.6	3.2	206.7	71.5	76.6	281.3	255.1	290.1	315.2	280.9	0.00	73.1	72.7	0.19	72.85	72.73	83.00	0.18	76.10	77.73	85.28	0.07	0.21	-0.09	-1.07	-0.88	-174.4999	59.34
259.0	416.0	0.6	0.6	3.1	206.4	71.4	76.5	280.3	254.4	289.3	314.1	280.9	0.00	73.1	72.7	0.19	72.83	72.71	82.57	0.18	76.08	77.79	84.65	0.07	0.21	-0.09	-1.06	-0.88	-174.9533	59.48
260.0	417.0	0.8	0.5	3.1	206.7	71.3	77.0	279.6	253.9	288.0	313.9	280.1	0.00	73.1	72.7	0.19	72.85	72.71	82.07	0.18	76.09	77.74	84.04	0.07	0.21	-0.08	-1.06	-0.88	-175.5141	59.47
261.0	418.0	0.8	0.5	3.1	205.7	71.3	77.0	278.9	253.2	287.2	313.4	279.8	0.00	73.1	72.7	0.19	72.76	72.71	81.65	0.19	76.07	77.76	83.54	0.07	0.21	-0.09	-1.05	-0.87	-176.3222	59.43
262.0	419.0	0.6	0.5	3.1	205.0	71.4	76.9	278.1	252.4	286.3	312.4	278.7	0.00	73.1	72.7	0.19	72.76	72.73	81.25	0.19	76.10	77.80	82.98	0.07	0.20	-0.08	-1.06	-0.88	-177.0871	59.43
263.0	420.0	0.8	0.5	3.1	204.4	71.3	76.7	277.1	251.4	285.6	313.0	278.8	0.00	73.1	72.7	0.19	72.77	72.71	81.86	0.18	76.03	77.78	82.50	0.07	0.21	-0.09	-1.07	-0.89	-177.0996	59.34
264.0	421.0	0.8	0.5	3.1	203.8	71.4	77.0	276.0	251.2	285.4	312.2	278.5	0.00	73.1	72.7	0.19	72.83	72.72	80.63	0.18	76.05	77.75	82.05	0.07	0.21	-0.09	-1.06	-0.88	-177.7453	59.43
265.0	422.0	0.8	0.5	3.1	203.8	71.4	76.9	275.5	251.6	284.3	311.4	278.6	0.00	73.1	72.7	0.18	72.81	72.74	80.57	0.18	76.08	77.79	81.63	0.07	0.20	-0.09	-1.06	-0.87	-178.1435	59.33
266.0	423.0	0.8	0.5	3.1	202.5	71.3	76.7	274.8	251.3	284.1	310.7	278.3	0.00	73.0	72.7	0.18	72.84	72.75	80.21	0.18	76.08	77.80	80.20	0.07	0.21	-0.09	-1.07	-0.87	-178.7974	59.26
267.0	424.0	0.8	0.6	3.1	201.8	71.4	76.2	273.9	251.1	283.0	310.6	277.7	0.00	73.0	72.7	0.19	72.81	72.78	85.58	0.19	76.07	77.80	80.88	0.07	0.20	-0.09	-1.07	-0.87	-179.1768	59.14
268.0	425.0	0.8	0.5	3.1	201.2	71.3	76.7	273.1	250.9	281.4	309.7	277.2	0.00	73.0	72.7	0.19	72.81	72.76	84.99	0.19	76.05	77.78	83.08	0.07	0.20	-0.09	-1.07	-0.89	-179.6552	59.41
269.0	426.0	0.7	0.5	3.0	200.5	71.2	76.9	272.3	250.2	280.4	309.2	276.6	0.00	73.0	72.7	0.19	72.81	72.73	84.39	0.19	76.03	77.89	85.99	0.07	0.20	-0.09	-1.07	-0.88	-180.498	59.41
270.0	427.0	0.7	0.5	3.0	200.3	71.4	76.7	271.7	250.9	279.5	309.3	276.6	0.00	73.0	72.6	0.18	72.77	72.72	83.93	0.19	75.99	77.74	86.57	0.07	0.20	-0.09	-1.07	-0.88	-180.6223	59.32
271.0	428.0	0.7	0.5	3.0	199.8	71.3	76.7	270.7	250.3	278.7	308.9	276.0	0.00	73.0	72.6	0.18	72.81	72.69	83.29	0.18	76.02	77.70	86.99	0.07	0.20	-0.09	-1.06	-0.88	-180.8889	59.34
272.0	429.0	0.7	0.5	3.0	199.0	71.3	76.6	270.1	250.6	278.3	307.1	276.9	0.00	73.0	72.6	0.19	72.79	72.75	82.82	0.18	76.02	77.71	84.45	0.07	0.20	-0.09	-1.05	-0.87	-181.4156	59.23
273.0	430.0	0.7	0.5	3.1	199.0	71.2	76.6	269.5	250.5	278.0	306.4	277.0	0.00	73.0	72.6	0.19	72.75	72.70	82.34	0.19	75.98	77.73	84.77	0.07	0.20	-0.09	-1.06	-0.88	-181.7466	59.20
274.0	431.0	0.6	0.5	3.1	198.9	71.2	76.7	268.8	250.4	278.2	305.9	276.1	0.00	73.0	72.6	0.19	72.77	72.68	81.62	0.18	75.97	77.73	84.17	0.07	0.20	-0.08	-1.06	-0.87	-182.2979	59.28
275.0	432.0	0.7	0.5	3.1	198.7	71.3	76.7	268.1	250.2	277.5	304.5	276.0	0.00	73.0	72.6	0.18	72.78	72.77	82.68	0.19	75.95	77.74	83.60	0.07	0.20	-0.09	-1.06	-0.87	-182.7126	59.37
276.0	433.0	0.7	0.5	3.1	197.9	71.2	76.9	267.3	250.5	278.4	303.9	276.0	0.00	73.0	72.6	0.19	72.77	72.67	81.11	0.19	75.95	77.75	83.08	0.07	0.20	-0.09	-1.06	-0.88	-183.4071	59.20
277.0	434.0	0.6	0.5	3.1	197.0	71.3	76.3	266.6	250.7	278.0	303.0	276.0	0.00	73.0	72.6	0.19	72.85	72.67	83.68	0.18	76.02	77.82	82.53	0.07	0.20	-0.09	-1.06	-0.88	-183.7214	59.28
278.0	435.0	0.6	0.5	3.1	197.0	71.3	76.4	266.1	251.1	274.3	302.6	275.2	0.00	72.9	72.6	0.19	72.83	72.78	86.31	0.18	76.04	77.73	82.43	0.07	0.19	-0.09	-1.06	-0.87	-183.975	59.28
279.0	436.0	0.6	0.5	3.1	196.8	71.3	76.4	265.4	250.3	273.3	302.3	275.1	0.00	72.9	72.6	0.19	72.98	72.72	86.30	0.18	76.06	77.75	81.60	0.07	0.20	-0.09	-1.07	-0.89	-184.2815	59.33
280.0	437.0	0.6	0.5	3.0	195.8	71.4	76.4	264.9	250.6	272.5	301.6	274.6	0.00	72.9	72.6	0.19	72.90	72.72	85.75	0.18	76.08	77.76	81.17	0.07	0.20	-0.08	-1.07	-0.88	-184.9592	59.39
281.0	438.0	0.6	0.5	3.0	194.6	71.3	76.4	263.9	250.2	272.2	301.8	274.8	0.00	72.9	72.6	0.19	72.95	72.73	85.16	0.18	76.12	77.78	80.81	0.07	0.19	-0.09	-1.07	-0.88	-185.0475	59.46
282.0	439.0	0.6	0.5	3.0	194.3	71.3	76.5	263.5	250.8	272.2	301.1	274.4	0.00	72.9	72.6	0.19	72.97	72.72	84.57	0.18	76.12	77.77	82.48	0.07	0.19	-0.09	-1.07	-0.88	-185.4655	59.47
283.0	440.0	0.6	0.5	3.0	194.1	71.3	76.7	263.0	250.6	270.5	299.9	273.6	0.00	72.9	72.6	0.19	72.94	72.73	84.03	0.19	76.09	77.76	85.58	0.07	0.20	-0.10	-1.07	-0.88	-186.0992	59.55
284.0	441.0	0.6	0.5	3.0	193.7	71.3	76.6	262.5	250.9	270.2	299.2	273.8	0.00	72.9	72.6	0.19	72.87	72.71	83.51	0.18	76.07	77.81	86.47	0.07	0.19	-0.09	-1.06	-0.87	-186.7074	59.46
285.0	442.0	0.6	0.5	3.0	193.7	71.3	76.6	262.0	250.7	270.2	297.0	273.3	0.00	72.9	72.6	0.19	72.87	72.72	83.00	0.19	76.04	77.77	86.10	0.07	0.19	-0.09	-1.06	-0.88	-187.1788	59.37
286.0	443.0	0.6	0.5	3.0	194.0	71.4	76.6	261.4	250.7	269.2	296.4	273.5	0.00	72.9	72.6	0.18	72.84													

Manufacturer: US STOVE  
 Model: US1100E

Run: 1  
 Project #: PI 20283  
 Test Duration: 74 min

Note: In the "Input data", "Calc. % O<sub>2</sub>", "Fuel Properties", and "Mass Balance" columns, [e], [d], [g], [a], [b], [c], [h], [u], [w], [j], and [k] refer to their respective variables in Clauses 13.7.3 to 13.7.5.

Overall Heating Efficiency: 64,02%  
 Combustion Efficiency: 98,45%  
 Heat Transfer Efficiency: 65,03%

	HHV	LHV
Eff	64,02%	68,89%
Comb Eff	98,45%	98,45%
HT Eff	65,03%	69,98%
Output	46 413	kJ/h
Burn Rate		kg/h
Grams CO	113	g
Input	72 495	kJ/h
MC wet	17,20	

Ultimate CO<sub>2</sub>  
 CO<sub>2-ult</sub> 19,86  
 F<sub>0</sub>  
 1,050

Heat Output:	44 027 Btu/h
Heat Input:	68 769 Btu/h
Burn Duration:	1,23 h
Burn Rate:	lb/h
Stack Temp:	676,9 Deg. F

Averages		0,24	9,37	1,38	20,42	10,92	358,06	22,41	97,6%	63,8%	62,3%
INPUT DATA			Oxygen Calculation			Input Data		Combust	Heat	Net	
Elapsed Time	Weight Remaining (kg)	% CO [e]	% CO <sub>2</sub> [d]	Excess Air EA	Total O <sub>2</sub>	Calc. % O <sub>2</sub> [g]	Flue Gas (°C)	Room Temp (°C)	Eff %	Transfer %	Eff %
0,00	5,34	0,27	4,58	309,7%	20,68	15,96	342,5	21,8	96,3%	44,9%	43,3%
1,00	5,25	0,46	11,90	60,7%	20,27	8,14	389,5	21,8	97,1%	67,5%	65,5%
2,00	5,07	0,32	13,12	47,8%	20,21	6,93	415,8	21,8	98,1%	67,7%	66,4%
3,00	4,93	0,27	13,96	39,6%	20,17	6,07	443,3	21,9	98,5%	67,2%	66,2%
4,00	4,80	0,17	15,19	29,3%	20,11	4,83	481,4	22,2	99,2%	66,7%	66,2%
5,00	4,66	0,10	16,68	18,4%	20,03	3,31	510,9	22,0	99,6%	66,9%	66,6%
6,00	4,53	0,09	17,60	12,3%	19,98	2,33	544,7	22,4	99,6%	66,2%	65,9%
7,00	4,34	0,13	18,16	8,6%	19,95	1,72	532,2	22,5	99,4%	67,3%	66,9%
8,00	4,21	0,13	16,02	23,0%	20,06	3,99	505,9	22,5	99,4%	66,4%	66,0%
9,00	4,07	0,17	14,78	32,8%	20,13	5,26	491,7	22,6	99,1%	65,6%	65,1%
10,00	3,94	0,22	14,35	36,3%	20,15	5,69	483,5	22,6	98,9%	65,5%	64,8%
11,00	3,85	0,22	14,17	38,0%	20,16	5,88	477,0	22,6	98,9%	65,6%	64,9%
12,00	3,71	0,22	13,92	40,4%	20,17	6,14	471,7	22,3	98,8%	65,6%	64,8%
13,00	3,57	0,27	13,84	40,8%	20,17	6,20	462,7	22,6	98,5%	66,0%	65,0%
14,00	3,48	0,21	13,34	46,5%	20,20	6,75	454,0	22,7	98,8%	65,8%	65,0%
15,00	3,35	0,19	13,08	49,7%	20,22	7,04	448,0	22,4	99,0%	65,8%	65,1%
16,00	3,26	0,16	12,83	52,9%	20,24	7,33	441,8	22,7	99,1%	65,8%	65,2%
17,00	3,16	0,15	12,53	56,6%	20,25	7,64	436,7	22,7	99,2%	65,6%	65,1%
18,00	3,03	0,14	12,29	59,8%	20,27	7,91	431,6	22,4	99,2%	65,5%	65,0%
19,00	2,94	0,14	12,19	61,1%	20,27	8,01	430,4	22,5	99,2%	65,4%	64,9%
20,00	2,85	0,14	12,02	63,4%	20,28	8,19	424,6	22,6	99,3%	65,5%	65,1%
21,00	2,76	0,13	11,91	65,0%	20,29	8,31	423,3	22,5	99,3%	65,4%	64,9%
22,00	2,62	0,13	11,83	66,1%	20,29	8,40	421,2	22,7	99,3%	65,4%	65,0%
23,00	2,53	0,13	11,74	67,2%	20,30	8,48	420,9	22,7	99,3%	65,3%	64,8%
24,00	2,44	0,14	11,83	65,9%	20,29	8,39	422,4	22,7	99,2%	65,3%	64,8%
25,00	2,35	0,15	11,99	63,6%	20,28	8,22	425,5	22,7	99,1%	65,4%	64,9%
26,00	2,26	0,15	12,22	60,6%	20,27	7,97	427,7	22,8	99,2%	65,7%	65,1%
27,00	2,17	0,14	12,23	60,6%	20,27	7,97	427,5	22,8	99,2%	65,7%	65,2%
28,00	2,08	0,14	12,18	61,3%	20,27	8,03	424,6	22,8	99,3%	65,8%	65,3%
29,00	1,99	0,13	11,91	64,9%	20,29	8,31	419,3	22,5	99,3%	65,7%	65,2%
30,00	1,89	0,12	11,59	69,5%	20,30	8,65	413,4	22,7	99,3%	65,5%	65,1%
31,00	1,80	0,13	11,40	72,2%	20,31	8,85	408,2	22,8	99,2%	65,5%	65,0%
32,00	1,71	0,14	11,12	76,5%	20,33	9,14	403,1	22,8	99,2%	65,4%	64,8%
33,00	1,62	0,12	10,82	81,6%	20,35	9,47	395,5	22,7	99,4%	65,3%	64,9%
34,00	1,58	0,08	9,87	99,6%	20,40	10,49	382,2	22,7	99,6%	64,3%	64,1%
35,00	1,51	0,08	8,91	120,8%	20,45	11,50	368,2	22,7	99,6%	63,1%	62,8%
36,00	1,44	0,10	8,31	136,3%	20,48	12,13	357,2	22,6	99,4%	62,3%	62,0%
37,00	1,40	0,11	7,88	148,6%	20,51	12,57	348,5	22,6	99,3%	61,8%	61,4%
38,00	1,30	0,11	7,78	151,5%	20,51	12,67	342,1	22,6	99,3%	62,1%	61,6%
39,00	1,26	0,11	7,80	151,0%	20,51	12,65	339,1	22,4	99,2%	62,4%	61,9%

40,00	1,21	0,12	7,90	147,7%	20,51	12,55	337,5	22,6	99,2%	62,9%	62,4%
41,00	1,17	0,11	7,98	145,5%	20,50	12,47	337,2	22,6	99,3%	63,1%	62,7%
42,00	1,12	0,10	8,10	142,4%	20,50	12,35	336,2	22,6	99,4%	63,6%	63,2%
43,00	1,06	0,09	8,23	138,9%	20,49	12,22	338,3	22,6	99,5%	63,8%	63,5%
44,00	1,03	0,11	8,26	137,3%	20,49	12,17	336,1	22,5	99,3%	64,0%	63,6%
45,00	0,99	0,22	7,27	165,2%	20,53	13,15	319,6	22,3	98,1%	62,5%	61,3%
46,00	0,94	0,31	6,54	190,2%	20,57	13,88	308,9	22,5	96,8%	60,9%	59,0%
47,00	0,90	0,34	6,29	199,6%	20,58	14,12	301,9	22,5	96,3%	60,7%	58,4%
48,00	0,85	0,37	6,17	203,4%	20,59	14,23	295,0	22,3	95,9%	60,9%	58,4%
49,00	0,81	0,41	6,09	205,7%	20,59	14,29	288,2	22,3	95,4%	61,4%	58,5%
50,00	0,81	0,43	6,08	205,2%	20,59	14,30	284,1	22,3	95,1%	61,7%	58,7%
51,00	0,76	0,45	6,03	206,9%	20,59	14,34	278,9	22,2	94,9%	62,1%	58,9%
52,00	0,71	0,35	5,81	222,2%	20,61	14,62	274,9	22,3	95,9%	61,7%	59,1%
53,00	0,67	0,35	5,75	225,9%	20,61	14,69	271,3	22,3	95,9%	61,8%	59,2%
54,00	0,67	0,39	5,68	227,3%	20,61	14,74	268,7	22,1	95,4%	61,8%	58,9%
55,00	0,62	0,38	5,71	226,0%	20,61	14,71	266,3	22,4	95,5%	62,2%	59,4%
56,00	0,58	0,40	5,68	226,6%	20,61	14,73	264,8	22,1	95,2%	62,2%	59,2%
57,00	0,53	0,39	5,76	223,0%	20,61	14,65	264,3	22,4	95,4%	62,7%	59,8%
58,00	0,53	0,41	5,78	220,9%	20,60	14,62	264,1	22,4	95,1%	62,8%	59,7%
59,00	0,49	0,40	5,86	217,3%	20,60	14,54	264,6	22,3	95,3%	63,1%	60,1%
60,00	0,44	0,38	5,94	214,0%	20,60	14,46	265,4	22,1	95,6%	63,3%	60,5%
61,00	0,40	0,33	6,16	206,4%	20,59	14,27	266,7	22,3	96,4%	64,0%	61,7%
62,00	0,40	0,30	6,31	200,8%	20,58	14,13	269,0	22,2	96,8%	64,3%	62,2%
63,00	0,31	0,21	6,66	189,1%	20,57	13,80	273,7	22,2	98,0%	65,0%	63,7%
64,00	0,31	0,20	6,79	184,3%	20,56	13,67	273,6	22,1	98,2%	65,5%	64,3%
65,00	0,26	0,19	6,40	201,4%	20,58	14,09	270,0	22,2	98,2%	64,5%	63,3%
66,00	0,21	0,28	5,81	226,1%	20,61	14,66	262,5	22,2	96,9%	63,1%	61,1%
67,00	0,20	0,35	5,50	239,7%	20,62	14,95	258,0	22,3	95,8%	62,3%	59,6%
68,00	0,17	0,37	5,39	245,2%	20,63	15,06	253,9	22,3	95,4%	62,2%	59,4%
69,00	0,12	0,42	5,22	252,0%	20,63	15,20	246,1	22,1	94,5%	62,4%	59,0%
70,00	0,12	0,47	4,82	275,1%	20,65	15,59	234,5	22,2	93,4%	62,0%	57,9%
71,00	0,08	0,50	4,45	301,1%	20,67	15,97	227,0	22,3	92,5%	61,0%	56,4%
72,00	0,08	0,53	4,28	312,5%	20,68	16,13	223,8	22,1	91,8%	60,4%	55,4%
73,00	0,03	0,55	4,24	314,7%	20,68	16,17	221,9	22,0	91,4%	60,4%	55,2%
74,00	0,03	0,56	4,19	318,6%	20,68	16,22	217,6	22,0	91,2%	60,7%	55,4%

Manufacturer: US STOVE  
 Model: US1100E

Run: 1  
 Project #: PI 20283  
 Test Duration: 342 min

Note: In the "Input data", "Calc. % O<sub>2</sub>", "Fuel Properties", and "Mass Balance" columns, [e], [d], [g], [a], [b], [c], [h], [u], [w], [j], and [k] refer to their respective variables in Clauses 13.7.3 to 13.7.5.

Overall Heating Efficiency: 67,30%  
 Combustion Efficiency: 95,73%  
 Heat Transfer Efficiency: 70,30%

	HHV	LHV
Eff	67,30%	72,41%
Comb Eff	95,73%	95,73%
HT Eff	70,30%	75,64%
Output	14 596	kJ/h
Burn Rate	1,07	kg/h
Grams CO	410	g
Input	21 688	kJ/h
MC wet	17,18	

Ultimate CO<sub>2</sub>  
 CO<sub>2-ult</sub> 19,86  
 F<sub>0</sub>  
 1,047

Heat Output:	13 846 Btu/h
Heat Input:	20 574 Btu/h
Burn Duration:	5,70 h
Burn Rate:	2,37 lb/h
Stack Temp:	314,9 Deg. F

Averages		0,48	5,13	3,13	20,64	15,27	157,23	22,07	0,92	0,74	0,68
INPUT DATA			Oxygen Calculation				Input Data		Combust	Heat	Net
Elapsed Time	Weight Remaining (kg)	% CO [e]	% CO <sub>2</sub> [d]	Excess Air EA	Total O <sub>2</sub>	Calc. % O <sub>2</sub> [g]	Flue Gas (°C)	Room Temp (°C)	Eff %	Transfer %	Eff %
0,00	7,39	0,29	2,89	525,0%	20,77	17,73	180,2	22,1	94,0%	56,7%	53,2%
1,00	7,35	0,43	1,95	733,9%	20,81	18,64	196,8	22,2	87,3%	37,7%	32,9%
2,00	7,30	0,46	2,24	636,5%	20,79	18,32	208,0	22,0	88,0%	40,9%	35,9%
3,00	7,21	0,64	2,74	488,2%	20,76	17,70	231,3	21,9	85,8%	44,2%	37,9%
4,00	7,16	0,46	2,81	506,8%	20,76	17,72	206,9	22,0	89,9%	50,2%	45,1%
5,00	7,11	0,52	3,91	348,5%	20,70	16,53	221,7	22,1	91,3%	58,2%	53,1%
6,00	7,02	0,62	5,92	203,8%	20,59	14,36	271,6	21,7	92,7%	62,5%	57,9%
7,00	6,93	0,42	9,08	109,2%	20,43	11,14	315,2	21,9	96,7%	67,7%	65,4%
8,00	6,84	0,37	9,39	103,7%	20,41	10,84	339,1	22,0	97,2%	66,5%	64,6%
9,00	6,71	0,40	10,10	89,2%	20,37	10,07	371,7	22,2	97,1%	65,5%	63,6%
10,00	6,61	0,31	11,38	69,9%	20,31	8,77	410,4	22,2	98,0%	65,3%	64,0%
11,00	6,48	0,17	13,46	45,7%	20,20	6,66	446,0	22,3	99,1%	66,4%	65,8%
12,00	6,34	0,20	14,20	37,9%	20,16	5,86	405,8	22,3	99,0%	69,7%	69,0%
13,00	6,30	0,25	11,92	63,2%	20,28	8,23	351,4	22,4	98,5%	70,1%	69,0%
14,00	6,21	0,24	9,35	107,1%	20,42	10,95	325,0	22,4	98,2%	67,5%	66,3%
15,00	6,16	0,27	8,52	126,2%	20,46	11,82	309,7	22,3	97,9%	66,9%	65,5%
16,00	6,07	0,28	8,20	134,2%	20,48	12,14	301,6	22,4	97,6%	66,8%	65,3%
17,00	6,02	0,27	8,25	133,1%	20,48	12,09	296,5	22,4	97,8%	67,4%	65,9%
18,00	5,93	0,25	8,45	128,4%	20,47	11,90	294,1	22,5	98,0%	68,1%	66,7%
19,00	5,89	0,22	8,78	120,8%	20,45	11,57	294,9	22,3	98,3%	68,7%	67,6%
20,00	5,80	0,20	9,06	114,7%	20,44	11,28	294,8	22,4	98,6%	69,3%	68,3%
21,00	5,75	0,19	9,06	114,7%	20,44	11,28	293,7	22,4	98,6%	69,4%	68,4%
22,00	5,66	0,19	9,08	114,3%	20,44	11,26	292,3	22,5	98,6%	69,6%	68,6%
23,00	5,62	0,18	9,08	114,4%	20,44	11,27	291,8	22,4	98,7%	69,6%	68,7%
24,00	5,57	0,19	9,08	114,4%	20,44	11,27	290,2	22,4	98,6%	69,7%	68,8%
25,00	5,48	0,18	9,06	114,9%	20,44	11,29	288,6	22,4	98,7%	69,8%	68,9%
26,00	5,43	0,17	8,99	116,6%	20,44	11,36	287,7	22,2	98,8%	69,8%	68,9%
27,00	5,35	0,17	9,03	116,0%	20,44	11,33	287,3	22,4	98,8%	69,9%	69,0%
28,00	5,30	0,17	8,87	119,7%	20,45	11,49	284,0	22,4	98,8%	69,8%	69,0%
29,00	5,25	0,17	8,76	122,5%	20,46	11,62	281,2	22,4	98,8%	69,8%	69,0%
30,00	5,16	0,18	8,79	121,4%	20,45	11,57	278,5	22,4	98,7%	70,1%	69,2%
31,00	5,12	0,16	8,88	119,7%	20,45	11,49	277,8	22,4	98,9%	70,3%	69,5%
32,00	5,05	0,14	8,91	119,4%	20,45	11,47	275,3	22,4	99,1%	70,6%	70,0%
33,00	4,98	0,13	8,99	117,7%	20,45	11,39	274,4	22,4	99,1%	70,8%	70,2%
34,00	4,94	0,11	9,18	113,8%	20,44	11,20	276,0	22,4	99,4%	71,1%	70,6%
35,00	4,85	0,10	9,51	106,7%	20,42	10,86	276,5	22,4	99,5%	71,6%	71,2%
36,00	4,80	0,10	9,64	103,9%	20,41	10,72	275,5	22,5	99,5%	71,9%	71,5%
37,00	4,75	0,09	9,40	109,4%	20,43	10,98	275,3	22,3	99,5%	71,5%	71,2%
38,00	4,71	0,09	9,24	112,8%	20,43	11,15	274,8	22,4	99,5%	71,3%	70,9%
39,00	4,66	0,12	9,20	113,3%	20,44	11,18	275,9	22,5	99,3%	71,1%	70,6%

40,00	4,62	0,13	9,11	115,0%	20,44	11,26	278,1	22,5	99,2%	70,8%	70,2%
41,00	4,57	0,12	9,13	114,7%	20,44	11,25	276,3	22,5	99,3%	70,9%	70,4%
42,00	4,48	0,13	8,98	118,0%	20,45	11,40	275,5	22,2	99,2%	70,7%	70,1%
43,00	4,44	0,11	8,94	119,4%	20,45	11,45	274,9	22,3	99,3%	70,7%	70,2%
44,00	4,39	0,12	8,95	118,9%	20,45	11,43	274,6	22,5	99,3%	70,8%	70,2%
45,00	4,30	0,12	8,92	119,8%	20,45	11,47	274,6	22,5	99,3%	70,7%	70,2%
46,00	4,29	0,12	9,02	117,4%	20,44	11,37	275,2	22,4	99,2%	70,8%	70,3%
47,00	4,25	0,12	9,12	115,1%	20,44	11,26	275,6	22,5	99,3%	71,0%	70,5%
48,00	4,18	0,10	9,27	111,9%	20,43	11,11	276,1	22,4	99,4%	71,2%	70,8%
49,00	4,12	0,10	9,38	109,5%	20,43	10,99	277,0	22,5	99,4%	71,3%	70,9%
50,00	4,07	0,10	9,15	114,7%	20,44	11,24	276,4	22,5	99,4%	71,0%	70,6%
51,00	4,03	0,10	9,02	117,8%	20,45	11,38	274,2	22,5	99,4%	70,9%	70,5%
52,00	3,98	0,10	8,99	118,5%	20,45	11,41	275,3	22,3	99,4%	70,7%	70,3%
53,00	3,94	0,11	9,11	115,4%	20,44	11,27	275,5	22,4	99,4%	71,0%	70,5%
54,00	3,89	0,14	9,24	111,7%	20,43	11,12	276,2	22,5	99,1%	71,1%	70,5%
55,00	3,84	0,13	9,41	108,3%	20,42	10,95	277,3	22,4	99,2%	71,4%	70,8%
56,00	3,76	0,13	9,54	105,6%	20,42	10,82	279,9	22,5	99,2%	71,4%	70,8%
57,00	3,76	0,12	9,57	104,9%	20,41	10,78	279,9	22,3	99,2%	71,4%	70,9%
58,00	3,66	0,12	9,49	106,7%	20,42	10,87	280,1	22,4	99,3%	71,3%	70,8%
59,00	3,62	0,12	9,54	105,6%	20,42	10,82	280,4	22,6	99,2%	71,4%	70,8%
60,00	3,57	0,12	9,59	104,7%	20,41	10,77	280,9	22,3	99,3%	71,4%	70,9%
61,00	3,53	0,11	9,75	101,4%	20,41	10,60	280,5	22,6	99,4%	71,7%	71,2%
62,00	3,48	0,11	9,80	100,6%	20,40	10,55	279,5	22,6	99,4%	71,9%	71,4%
63,00	3,44	0,10	9,72	102,3%	20,41	10,64	279,4	22,6	99,5%	71,7%	71,4%
64,00	3,37	0,10	9,64	103,8%	20,41	10,72	278,1	22,6	99,4%	71,7%	71,3%
65,00	3,35	0,10	9,58	105,3%	20,42	10,79	278,7	22,6	99,5%	71,5%	71,2%
66,00	3,30	0,11	9,38	109,4%	20,43	11,00	274,4	22,6	99,4%	71,5%	71,1%
67,00	3,26	0,11	9,05	116,8%	20,44	11,34	271,9	22,6	99,3%	71,2%	70,7%
68,00	3,21	0,11	8,98	118,4%	20,45	11,41	271,1	22,5	99,3%	71,1%	70,6%
69,00	3,16	0,11	9,05	116,7%	20,44	11,34	270,2	22,6	99,3%	71,3%	70,8%
70,00	3,12	0,12	9,13	114,8%	20,44	11,25	271,3	22,5	99,3%	71,3%	70,8%
71,00	3,07	0,12	9,29	111,1%	20,43	11,08	271,8	22,5	99,3%	71,6%	71,1%
72,00	3,03	0,12	9,49	106,7%	20,42	10,87	274,5	22,5	99,3%	71,7%	71,2%
73,00	2,98	0,13	9,67	102,8%	20,41	10,68	275,4	22,5	99,2%	71,9%	71,4%
74,00	2,94	0,13	9,88	98,4%	20,40	10,45	279,0	22,6	99,2%	72,0%	71,5%
75,00	2,89	0,14	10,24	91,3%	20,38	10,06	283,0	22,6	99,2%	72,3%	71,7%
76,00	2,85	0,15	10,56	85,5%	20,36	9,73	282,6	22,6	99,1%	72,8%	72,1%
77,00	2,80	0,11	9,28	111,6%	20,43	11,10	275,8	22,5	99,3%	71,2%	70,8%
78,00	2,76	0,13	8,70	125,0%	20,46	11,70	269,9	22,5	99,2%	70,6%	70,1%
79,00	2,71	0,15	8,44	131,1%	20,47	11,95	265,8	22,5	98,9%	70,5%	69,7%
80,00	2,67	0,19	8,37	132,2%	20,48	12,02	262,6	22,6	98,6%	70,6%	69,6%
81,00	2,62	0,14	8,21	137,8%	20,49	12,20	257,2	22,6	99,0%	70,7%	70,0%
82,00	2,62	0,14	8,11	140,7%	20,49	12,31	254,2	22,3	99,0%	70,7%	70,0%
83,00	2,57	0,15	7,98	144,4%	20,50	12,45	250,1	22,6	98,9%	70,8%	70,1%
84,00	2,53	0,16	7,75	151,0%	20,51	12,68	246,4	22,4	98,8%	70,7%	69,8%
85,00	2,48	0,17	7,63	154,6%	20,52	12,80	244,0	22,1	98,6%	70,6%	69,6%
86,00	2,44	0,16	7,62	155,4%	20,52	12,82	241,7	22,7	98,7%	70,8%	69,9%
87,00	2,44	0,17	7,68	153,0%	20,51	12,75	239,7	22,3	98,7%	71,1%	70,2%
88,00	2,35	0,20	7,61	154,5%	20,52	12,81	236,8	22,6	98,4%	71,2%	70,1%
89,00	2,35	0,22	7,35	162,5%	20,53	13,07	230,9	22,6	98,1%	71,2%	69,8%
90,00	2,35	0,25	7,01	173,8%	20,55	13,42	226,0	22,5	97,7%	70,8%	69,2%
91,00	2,30	0,27	6,92	176,4%	20,55	13,50	222,1	22,6	97,4%	71,0%	69,2%
92,00	2,26	0,30	6,89	176,5%	20,55	13,52	219,2	22,5	97,1%	71,2%	69,1%
93,00	2,26	0,30	6,94	174,4%	20,55	13,46	217,7	22,4	97,1%	71,4%	69,3%
94,00	2,21	0,27	7,00	173,2%	20,55	13,41	216,2	22,4	97,4%	71,7%	69,8%
95,00	2,17	0,27	6,99	173,6%	20,55	13,42	214,0	22,5	97,4%	71,9%	70,0%
96,00	2,13	0,30	6,83	178,6%	20,55	13,57	210,7	22,5	97,0%	71,9%	69,7%
97,00	2,12	0,34	6,50	190,6%	20,57	13,90	204,6	22,5	96,5%	71,7%	69,1%
98,00	2,12	0,46	6,12	202,0%	20,58	14,23	197,9	22,5	94,8%	71,4%	67,7%
99,00	2,08	0,54	5,94	206,3%	20,59	14,38	192,8	22,3	93,7%	71,4%	66,9%
100,00	2,05	0,56	5,84	210,5%	20,59	14,47	189,2	22,2	93,4%	71,5%	66,8%

101,00	2,03	0,55	5,76	214,6%	20,60	14,56	186,3	22,4	93,4%	71,6%	66,9%
102,00	2,03	0,54	5,69	218,7%	20,60	14,64	182,9	22,3	93,5%	71,8%	67,1%
103,00	1,98	0,53	5,61	223,3%	20,61	14,73	180,4	22,2	93,5%	71,8%	67,2%
104,00	1,98	0,54	5,53	227,3%	20,61	14,81	177,5	22,2	93,3%	71,9%	67,1%
105,00	1,94	0,58	5,35	235,0%	20,62	14,98	174,5	22,3	92,6%	71,7%	66,4%
106,00	1,89	0,57	5,32	237,5%	20,62	15,02	172,3	22,4	92,7%	71,9%	66,7%
107,00	1,89	0,65	4,92	256,2%	20,64	15,39	166,4	22,3	91,1%	71,4%	65,0%
108,00	1,89	0,78	4,64	266,3%	20,65	15,61	161,3	22,2	88,9%	71,0%	63,2%
109,00	1,85	0,83	4,69	260,0%	20,64	15,54	158,8	22,2	88,4%	71,5%	63,2%
110,00	1,85	0,86	4,69	258,1%	20,64	15,52	157,0	22,3	88,0%	71,7%	63,1%
111,00	1,80	0,89	4,66	258,2%	20,64	15,54	152,3	22,1	87,6%	72,2%	63,3%
112,00	1,80	0,84	4,86	248,2%	20,63	15,35	151,3	22,2	88,5%	73,0%	64,7%
113,00	1,76	0,83	4,90	246,6%	20,63	15,31	150,4	22,2	88,8%	73,3%	65,0%
114,00	1,76	0,84	4,89	246,7%	20,63	15,32	149,2	22,2	88,7%	73,4%	65,1%
115,00	1,72	0,87	4,71	255,9%	20,64	15,49	147,4	22,1	88,0%	73,1%	64,3%
116,00	1,71	0,82	4,84	250,6%	20,63	15,38	145,8	22,1	88,8%	73,7%	65,4%
117,00	1,71	0,71	4,78	261,8%	20,64	15,51	143,4	22,2	90,1%	73,8%	66,5%
118,00	1,67	0,87	4,21	290,5%	20,66	16,02	140,2	22,1	86,7%	72,3%	62,7%
119,00	1,67	0,90	4,19	290,6%	20,66	16,03	137,8	22,2	86,4%	72,6%	62,7%
120,00	1,62	0,87	4,27	286,4%	20,66	15,95	136,2	22,2	87,0%	73,1%	63,6%
121,00	1,62	0,83	4,37	282,3%	20,66	15,88	135,6	22,0	87,7%	73,5%	64,5%
122,00	1,62	0,78	4,45	279,8%	20,66	15,82	134,3	22,0	88,5%	74,0%	65,5%
123,00	1,58	0,77	4,46	279,7%	20,66	15,81	132,8	21,9	88,7%	74,2%	65,8%
124,00	1,58	0,77	4,45	280,9%	20,66	15,83	131,8	22,0	88,7%	74,4%	66,0%
125,00	1,58	0,78	4,41	282,5%	20,66	15,86	130,4	22,1	88,5%	74,5%	65,9%
126,00	1,53	0,77	4,46	279,5%	20,66	15,81	130,1	22,1	88,7%	74,6%	66,2%
127,00	1,53	0,75	4,51	277,8%	20,65	15,77	129,9	22,2	89,1%	74,8%	66,7%
128,00	1,49	0,73	4,61	272,5%	20,65	15,68	129,7	22,1	89,6%	75,1%	67,3%
129,00	1,49	0,72	4,61	272,5%	20,65	15,68	129,1	22,1	89,7%	75,3%	67,5%
130,00	1,49	0,71	4,62	272,5%	20,65	15,67	128,6	22,1	89,8%	75,3%	67,7%
131,00	1,49	0,71	4,62	273,3%	20,65	15,68	128,5	22,0	89,9%	75,3%	67,7%
132,00	1,44	0,71	4,63	272,0%	20,65	15,66	127,6	22,1	89,9%	75,5%	67,9%
133,00	1,44	0,70	4,66	270,6%	20,65	15,64	126,9	22,0	90,0%	75,7%	68,1%
134,00	1,39	0,70	4,65	271,8%	20,65	15,66	126,9	22,0	90,0%	75,6%	68,1%
135,00	1,39	0,72	4,62	271,9%	20,65	15,67	126,2	22,0	89,7%	75,7%	67,9%
136,00	1,39	0,72	4,59	274,2%	20,65	15,70	126,4	21,9	89,6%	75,5%	67,7%
137,00	1,39	0,72	4,58	274,8%	20,65	15,71	125,8	22,0	89,6%	75,6%	67,7%
138,00	1,35	0,71	4,58	275,4%	20,65	15,72	125,2	22,0	89,7%	75,7%	67,9%
139,00	1,35	0,71	4,60	274,4%	20,65	15,70	124,9	22,0	89,8%	75,8%	68,1%
140,00	1,35	0,67	4,69	270,2%	20,65	15,62	125,2	22,0	90,4%	76,0%	68,7%
141,00	1,30	0,64	4,74	269,3%	20,65	15,59	125,9	22,1	90,9%	76,0%	69,1%
142,00	1,30	0,62	4,82	264,8%	20,64	15,51	125,4	22,1	91,3%	76,3%	69,7%
143,00	1,30	0,61	4,86	263,3%	20,64	15,48	125,7	22,1	91,5%	76,4%	69,9%
144,00	1,26	0,60	4,88	262,4%	20,64	15,46	126,4	22,1	91,8%	76,4%	70,1%
145,00	1,26	0,59	4,88	263,6%	20,64	15,47	127,0	22,1	91,9%	76,3%	70,1%
146,00	1,26	0,58	4,88	263,9%	20,64	15,48	127,6	22,1	92,0%	76,2%	70,1%
147,00	1,21	0,58	4,89	263,4%	20,64	15,47	128,0	22,0	92,0%	76,2%	70,1%
148,00	1,21	0,59	4,85	265,5%	20,65	15,50	128,2	22,1	91,8%	76,1%	69,8%
149,00	1,21	0,59	4,84	266,3%	20,65	15,52	128,3	22,1	91,8%	76,0%	69,8%
150,00	1,21	0,58	4,82	267,8%	20,65	15,54	129,3	22,0	91,9%	75,8%	69,7%
151,00	1,17	0,59	4,80	268,4%	20,65	15,55	129,6	22,1	91,8%	75,8%	69,5%
152,00	1,17	0,59	4,83	266,3%	20,65	15,52	130,1	22,1	91,8%	75,8%	69,6%
153,00	1,12	0,57	4,89	263,7%	20,64	15,47	130,6	22,1	92,1%	75,9%	69,9%
154,00	1,12	0,57	4,94	260,4%	20,64	15,42	130,7	22,1	92,2%	76,0%	70,0%
155,00	1,12	0,60	4,87	263,6%	20,64	15,48	130,8	22,1	91,7%	75,8%	69,5%
156,00	1,12	0,58	4,94	260,1%	20,64	15,41	130,8	22,1	92,1%	76,0%	70,0%
157,00	1,08	0,58	4,78	270,6%	20,65	15,58	129,6	22,2	91,9%	75,7%	69,5%
158,00	1,08	0,60	4,71	273,8%	20,65	15,64	129,7	22,1	91,4%	75,5%	69,0%
159,00	1,08	0,57	4,79	270,5%	20,65	15,58	129,9	22,0	91,9%	75,7%	69,6%
160,00	1,03	0,54	4,88	266,7%	20,65	15,50	130,3	22,0	92,6%	75,9%	70,3%
161,00	1,03	0,54	4,83	270,2%	20,65	15,55	130,3	22,0	92,5%	75,7%	70,0%

162,00	1,03	0,53	4,78	274,5%	20,65	15,61	130,5	22,0	92,6%	75,6%	70,0%
163,00	1,03	0,53	4,74	276,8%	20,65	15,65	130,2	22,1	92,5%	75,5%	69,9%
164,00	1,00	0,55	4,63	283,4%	20,66	15,75	128,6	22,1	92,0%	75,4%	69,4%
165,00	0,99	0,60	4,49	290,2%	20,66	15,87	127,7	22,1	91,1%	75,1%	68,4%
166,00	0,99	0,61	4,44	292,9%	20,67	15,92	126,6	22,1	90,8%	75,1%	68,2%
167,00	0,99	0,62	4,43	293,6%	20,67	15,93	125,1	22,1	90,7%	75,3%	68,3%
168,00	0,94	0,61	4,42	295,0%	20,67	15,94	125,0	22,1	90,8%	75,3%	68,4%
169,00	0,94	0,61	4,39	296,9%	20,67	15,97	124,6	22,1	90,7%	75,2%	68,3%
170,00	0,94	0,62	4,40	295,5%	20,67	15,96	124,2	22,0	90,6%	75,3%	68,3%
171,00	0,94	0,63	4,43	292,9%	20,67	15,93	123,1	22,1	90,6%	75,6%	68,4%
172,00	0,90	0,63	4,45	290,8%	20,66	15,90	122,7	22,1	90,6%	75,7%	68,6%
173,00	0,90	0,63	4,36	298,4%	20,67	16,00	122,2	22,1	90,5%	75,5%	68,3%
174,00	0,90	0,63	4,36	298,0%	20,67	15,99	122,4	22,0	90,5%	75,5%	68,3%
175,00	0,90	0,63	4,35	298,8%	20,67	16,00	121,4	22,1	90,4%	75,6%	68,4%
176,00	0,85	0,62	4,36	298,8%	20,67	16,00	121,0	22,2	90,5%	75,7%	68,5%
177,00	0,85	0,62	4,36	298,6%	20,67	16,00	121,0	22,2	90,5%	75,7%	68,5%
178,00	0,88	0,62	4,35	299,6%	20,67	16,01	120,4	22,1	90,6%	75,7%	68,6%
179,00	0,85	0,62	4,28	305,8%	20,67	16,09	120,1	22,1	90,5%	75,6%	68,4%
180,00	0,85	0,62	4,29	305,0%	20,67	16,08	120,0	22,1	90,5%	75,6%	68,4%
181,00	0,85	0,63	4,37	297,4%	20,67	15,98	119,8	22,1	90,5%	75,9%	68,7%
182,00	0,85	0,63	4,45	290,7%	20,66	15,90	119,8	22,0	90,6%	76,1%	68,9%
183,00	0,80	0,61	4,31	303,3%	20,67	16,05	119,5	22,0	90,6%	75,7%	68,6%
184,00	0,81	0,62	4,27	306,0%	20,67	16,09	119,3	22,0	90,4%	75,6%	68,4%
185,00	0,80	0,62	4,26	306,5%	20,68	16,10	119,0	22,1	90,4%	75,7%	68,4%
186,00	0,80	0,62	4,26	306,9%	20,68	16,11	119,2	22,0	90,3%	75,6%	68,3%
187,00	0,80	0,62	4,27	306,6%	20,68	16,10	119,1	22,0	90,5%	75,6%	68,4%
188,00	0,80	0,62	4,26	307,0%	20,68	16,10	118,3	22,0	90,5%	75,8%	68,5%
189,00	0,78	0,62	4,27	306,2%	20,67	16,09	118,0	22,0	90,5%	75,8%	68,6%
190,00	0,76	0,62	4,26	306,8%	20,68	16,10	117,8	22,0	90,4%	75,8%	68,5%
191,00	0,76	0,62	4,25	308,7%	20,68	16,12	117,4	22,1	90,5%	75,8%	68,6%
192,00	0,76	0,61	4,23	310,2%	20,68	16,14	116,8	22,0	90,4%	75,9%	68,6%
193,00	0,76	0,61	4,11	321,1%	20,68	16,27	116,6	22,1	90,3%	75,5%	68,2%
194,00	0,76	0,61	4,10	321,5%	20,68	16,28	116,5	22,1	90,3%	75,5%	68,2%
195,00	0,71	0,61	4,12	319,9%	20,68	16,26	116,1	22,0	90,2%	75,6%	68,2%
196,00	0,75	0,62	4,11	320,3%	20,68	16,27	115,4	22,0	90,2%	75,7%	68,3%
197,00	0,71	0,61	4,03	328,5%	20,69	16,36	115,2	22,0	90,1%	75,5%	68,0%
198,00	0,71	0,61	4,00	331,3%	20,69	16,39	114,8	22,0	90,1%	75,4%	67,9%
199,00	0,71	0,61	4,00	331,0%	20,69	16,38	114,5	22,0	90,1%	75,5%	68,0%
200,00	0,71	0,60	3,99	332,4%	20,69	16,40	114,1	22,0	90,2%	75,5%	68,1%
201,00	0,71	0,60	3,96	336,2%	20,69	16,44	113,7	22,0	90,2%	75,5%	68,1%
202,00	0,71	0,60	3,92	339,4%	20,69	16,47	113,5	22,0	90,1%	75,4%	67,9%
203,00	0,67	0,59	3,91	340,9%	20,70	16,49	112,7	21,9	90,1%	75,5%	68,0%
204,00	0,67	0,59	3,88	344,9%	20,70	16,53	112,0	22,0	90,2%	75,5%	68,0%
205,00	0,67	0,58	3,85	348,6%	20,70	16,56	111,8	22,0	90,2%	75,4%	68,0%
206,00	0,67	0,58	3,85	348,6%	20,70	16,56	112,0	22,0	90,2%	75,4%	68,0%
207,00	0,67	0,57	3,83	350,8%	20,70	16,58	111,2	22,0	90,3%	75,4%	68,1%
208,00	0,66	0,57	3,81	353,1%	20,70	16,60	110,9	22,0	90,3%	75,4%	68,1%
209,00	0,67	0,57	3,82	353,2%	20,70	16,60	110,4	22,0	90,4%	75,5%	68,2%
210,00	0,62	0,57	3,82	353,0%	20,70	16,60	110,4	21,9	90,4%	75,5%	68,2%
211,00	0,62	0,57	3,82	351,9%	20,70	16,59	110,0	22,0	90,3%	75,6%	68,2%
212,00	0,62	0,56	3,80	355,2%	20,70	16,62	110,4	21,9	90,4%	75,4%	68,2%
213,00	0,64	0,56	3,77	358,5%	20,71	16,65	110,1	21,9	90,3%	75,4%	68,1%
214,00	0,62	0,55	3,62	376,2%	20,71	16,82	109,0	21,9	90,2%	75,0%	67,7%
215,00	0,62	0,53	3,57	384,8%	20,72	16,89	108,2	21,9	90,4%	75,0%	67,8%
216,00	0,58	0,52	3,55	387,9%	20,72	16,91	107,8	22,0	90,5%	75,0%	67,9%
217,00	0,58	0,52	3,55	387,6%	20,72	16,91	107,0	21,9	90,6%	75,1%	68,0%
218,00	0,58	0,52	3,55	387,9%	20,72	16,91	107,3	21,9	90,6%	75,1%	68,0%
219,00	0,58	0,52	3,56	386,7%	20,72	16,90	106,3	21,9	90,6%	75,3%	68,2%
220,00	0,58	0,52	3,55	387,9%	20,72	16,91	106,0	21,9	90,6%	75,3%	68,2%
221,00	0,58	0,52	3,54	389,5%	20,72	16,92	105,8	21,9	90,6%	75,3%	68,3%
222,00	0,58	0,51	3,54	390,0%	20,72	16,92	105,2	22,0	90,7%	75,4%	68,3%



223,00	0,58	0,51	3,54	390,5%	20,72	16,93	105,1	21,9	90,7%	75,4%	68,4%
224,00	0,53	0,51	3,53	391,8%	20,72	16,94	104,6	22,0	90,7%	75,5%	68,4%
225,00	0,53	0,51	3,54	391,1%	20,72	16,93	104,2	22,0	90,8%	75,6%	68,6%
226,00	0,53	0,51	3,51	394,2%	20,72	16,96	104,0	22,0	90,7%	75,5%	68,5%
227,00	0,53	0,51	3,47	398,8%	20,72	17,00	103,5	21,9	90,6%	75,4%	68,4%
228,00	0,53	0,51	3,44	402,1%	20,73	17,03	103,3	22,0	90,5%	75,4%	68,2%
229,00	0,53	0,52	3,47	397,5%	20,72	16,99	102,8	22,1	90,3%	75,6%	68,3%
230,00	0,53	0,53	3,47	396,4%	20,72	16,99	102,5	22,0	90,3%	75,6%	68,3%
231,00	0,52	0,54	3,40	404,0%	20,73	17,06	102,1	22,0	89,9%	75,4%	67,8%
232,00	0,53	0,55	3,36	408,3%	20,73	17,09	101,6	22,0	89,7%	75,3%	67,5%
233,00	0,53	0,54	3,36	409,9%	20,73	17,10	101,9	22,0	89,8%	75,3%	67,6%
234,00	0,53	0,55	3,39	403,6%	20,73	17,06	101,1	21,9	89,7%	75,5%	67,7%
235,00	0,49	0,55	3,37	405,5%	20,73	17,08	101,2	22,0	89,5%	75,4%	67,6%
236,00	0,49	0,61	3,32	405,5%	20,73	17,10	101,1	22,0	88,5%	75,2%	66,6%
237,00	0,49	0,62	3,33	403,0%	20,73	17,09	101,3	21,9	88,2%	75,2%	66,3%
238,00	0,49	0,64	3,40	392,3%	20,72	17,00	101,1	22,1	88,2%	75,5%	66,6%
239,00	0,46	0,63	3,40	392,6%	20,72	17,00	101,1	22,0	88,3%	75,6%	66,7%
240,00	0,49	0,63	3,40	393,6%	20,72	17,01	101,0	22,0	88,3%	75,5%	66,7%
241,00	0,46	0,61	3,40	394,4%	20,72	17,01	101,4	21,9	88,6%	75,5%	66,9%
242,00	0,44	0,60	3,40	396,1%	20,72	17,02	100,8	21,9	88,7%	75,6%	67,1%
243,00	0,44	0,60	3,38	399,2%	20,72	17,04	100,5	22,0	88,8%	75,6%	67,1%
244,00	0,44	0,59	3,36	403,1%	20,73	17,07	100,9	22,0	88,9%	75,4%	67,1%
245,00	0,44	0,61	3,37	398,3%	20,72	17,04	100,4	21,8	88,5%	75,5%	66,9%
246,00	0,44	0,61	3,36	400,9%	20,72	17,06	100,4	22,0	88,5%	75,5%	66,8%
247,00	0,44	0,60	3,34	404,4%	20,73	17,09	100,2	21,9	88,7%	75,5%	66,9%
248,00	0,44	0,59	3,34	406,3%	20,73	17,10	100,3	21,9	88,8%	75,4%	67,0%
249,00	0,40	0,58	3,31	410,0%	20,73	17,12	100,2	21,9	88,9%	75,4%	67,0%
250,00	0,44	0,58	3,31	410,7%	20,73	17,13	99,9	21,9	89,0%	75,4%	67,1%
251,00	0,40	0,58	3,32	410,3%	20,73	17,13	99,9	21,8	89,0%	75,4%	67,1%
252,00	0,40	0,58	3,32	410,4%	20,73	17,13	99,8	21,9	89,0%	75,4%	67,1%
253,00	0,40	0,57	3,26	418,5%	20,73	17,19	99,1	21,9	89,0%	75,3%	67,1%
254,00	0,40	0,56	3,26	419,4%	20,73	17,19	98,9	21,9	89,1%	75,4%	67,1%
255,00	0,40	0,56	3,25	420,3%	20,73	17,20	98,3	21,9	89,0%	75,5%	67,2%
256,00	0,40	0,56	3,25	420,8%	20,73	17,20	98,3	22,0	89,0%	75,5%	67,2%
257,00	0,40	0,56	3,21	427,9%	20,74	17,25	98,1	21,9	89,1%	75,3%	67,1%
258,00	0,35	0,55	3,18	432,5%	20,74	17,28	97,0	21,9	89,1%	75,4%	67,2%
259,00	0,40	0,55	3,19	430,8%	20,74	17,27	97,2	21,9	89,2%	75,4%	67,3%
260,00	0,35	0,54	3,13	440,8%	20,74	17,34	97,1	21,9	89,1%	75,2%	67,0%
261,00	0,35	0,55	3,13	440,5%	20,74	17,34	96,5	21,8	89,1%	75,3%	67,0%
262,00	0,35	0,54	3,11	443,9%	20,74	17,36	96,1	21,8	89,0%	75,3%	67,0%
263,00	0,35	0,54	3,08	447,5%	20,74	17,39	95,8	21,9	88,9%	75,2%	66,9%
264,00	0,35	0,55	3,09	446,0%	20,74	17,38	95,5	21,9	88,9%	75,3%	67,0%
265,00	0,35	0,55	3,08	447,0%	20,74	17,39	95,4	21,9	88,9%	75,3%	66,9%
266,00	0,35	0,55	3,09	445,7%	20,74	17,38	94,7	21,9	88,9%	75,5%	67,1%
267,00	0,35	0,55	3,11	443,1%	20,74	17,36	94,3	21,9	88,9%	75,6%	67,2%
268,00	0,35	0,54	3,06	450,7%	20,74	17,41	94,0	21,9	88,9%	75,5%	67,1%
269,00	0,30	0,54	3,04	454,1%	20,75	17,43	93,6	21,8	88,9%	75,5%	67,1%
270,00	0,30	0,54	3,03	456,9%	20,75	17,45	93,5	21,9	89,0%	75,5%	67,1%
271,00	0,30	0,54	3,04	455,3%	20,75	17,44	93,2	21,9	89,0%	75,5%	67,2%
272,00	0,30	0,53	3,05	455,1%	20,75	17,43	92,8	21,8	89,0%	75,6%	67,3%
273,00	0,30	0,54	3,09	447,8%	20,74	17,39	92,8	21,8	89,1%	75,8%	67,5%
274,00	0,26	0,54	3,09	447,8%	20,74	17,39	92,7	21,8	89,1%	75,8%	67,5%
275,00	0,30	0,54	3,11	443,8%	20,74	17,36	92,6	21,8	89,1%	75,9%	67,6%
276,00	0,30	0,54	3,11	444,5%	20,74	17,36	92,2	21,8	89,1%	76,0%	67,7%
277,00	0,26	0,54	3,10	446,2%	20,74	17,38	91,5	21,8	89,1%	76,1%	67,8%
278,00	0,26	0,54	3,08	448,8%	20,74	17,39	91,7	21,8	89,0%	76,0%	67,7%
279,00	0,28	0,53	3,07	451,6%	20,74	17,41	91,5	21,8	89,1%	76,0%	67,7%
280,00	0,26	0,53	3,03	458,5%	20,75	17,45	91,0	21,9	89,1%	75,9%	67,7%
281,00	0,26	0,52	3,01	462,0%	20,75	17,48	90,3	21,9	89,1%	76,0%	67,7%
282,00	0,26	0,52	3,00	463,3%	20,75	17,49	90,1	21,8	89,1%	76,0%	67,7%
283,00	0,26	0,53	2,99	463,7%	20,75	17,49	90,1	21,8	88,9%	75,9%	67,5%

284,00	0,26	0,53	2,98	465,2%	20,75	17,50	89,8	21,8	88,9%	75,9%	67,5%
285,00	0,26	0,54	2,99	463,4%	20,75	17,49	89,9	21,8	88,8%	76,0%	67,5%
286,00	0,26	0,54	3,00	461,6%	20,75	17,48	90,0	21,9	88,8%	76,0%	67,5%
287,00	0,26	0,55	3,01	458,7%	20,75	17,47	89,9	21,9	88,6%	76,0%	67,4%
288,00	0,21	0,55	2,99	462,3%	20,75	17,49	89,3	21,8	88,6%	76,1%	67,4%
289,00	0,22	0,55	2,98	464,0%	20,75	17,50	89,3	21,8	88,6%	76,0%	67,3%
290,00	0,21	0,55	2,97	464,7%	20,75	17,51	89,3	21,8	88,5%	76,0%	67,3%
291,00	0,21	0,55	2,97	465,0%	20,75	17,51	89,0	21,8	88,5%	76,0%	67,3%
292,00	0,21	0,55	2,96	465,4%	20,75	17,51	88,7	21,8	88,4%	76,1%	67,3%
293,00	0,21	0,55	2,96	466,5%	20,75	17,52	88,6	21,9	88,4%	76,1%	67,3%
294,00	0,21	0,55	2,96	466,0%	20,75	17,52	88,1	21,8	88,4%	76,2%	67,3%
295,00	0,21	0,55	2,96	465,7%	20,75	17,52	87,9	21,7	88,3%	76,2%	67,3%
296,00	0,21	0,55	2,95	466,8%	20,75	17,52	87,9	21,8	88,3%	76,2%	67,3%
297,00	0,21	0,55	2,93	471,3%	20,75	17,55	87,5	21,8	88,4%	76,2%	67,3%
298,00	0,17	0,54	2,90	478,0%	20,75	17,59	87,3	21,8	88,4%	76,1%	67,3%
299,00	0,17	0,54	2,88	481,7%	20,75	17,61	87,0	21,8	88,5%	76,1%	67,3%
300,00	0,17	0,54	2,86	484,9%	20,76	17,63	86,7	21,8	88,4%	76,0%	67,2%
301,00	0,17	0,53	2,83	489,5%	20,76	17,66	86,4	21,9	88,4%	76,0%	67,1%
302,00	0,17	0,53	2,78	499,9%	20,76	17,71	86,4	21,8	88,3%	75,7%	66,9%
303,00	0,17	0,53	2,76	504,5%	20,76	17,74	86,1	21,8	88,2%	75,7%	66,8%
304,00	0,17	0,53	2,75	505,0%	20,76	17,74	85,7	21,9	88,2%	75,8%	66,8%
305,00	0,17	0,53	2,73	510,2%	20,76	17,77	85,4	21,7	88,2%	75,7%	66,7%
306,00	0,17	0,52	2,71	514,5%	20,76	17,79	85,1	21,8	88,1%	75,7%	66,7%
307,00	0,17	0,52	2,68	520,0%	20,77	17,82	85,0	21,8	88,1%	75,6%	66,6%
308,00	0,12	0,53	2,67	520,6%	20,77	17,83	84,9	21,9	87,9%	75,6%	66,4%
309,00	0,17	0,54	2,68	517,7%	20,77	17,82	84,6	21,8	87,7%	75,6%	66,3%
310,00	0,15	0,54	2,67	519,7%	20,77	17,83	84,0	21,8	87,6%	75,7%	66,3%
311,00	0,12	0,54	2,66	520,4%	20,77	17,83	83,9	21,8	87,6%	75,7%	66,3%
312,00	0,12	0,54	2,64	526,3%	20,77	17,86	83,7	21,8	87,6%	75,6%	66,2%
313,00	0,12	0,54	2,64	526,3%	20,77	17,86	83,5	21,7	87,6%	75,6%	66,3%
314,00	0,12	0,55	2,65	520,5%	20,77	17,84	83,2	21,6	87,3%	75,7%	66,1%
315,00	0,12	0,57	2,65	516,9%	20,77	17,83	83,1	21,7	87,0%	75,8%	65,9%
316,00	0,12	0,55	2,64	522,2%	20,77	17,85	82,9	21,7	87,3%	75,8%	66,1%
317,00	0,12	0,55	2,64	524,0%	20,77	17,86	82,6	21,7	87,4%	75,8%	66,3%
318,00	0,11	0,54	2,61	531,0%	20,77	17,89	82,4	21,6	87,5%	75,7%	66,3%
319,00	0,12	0,53	2,60	534,6%	20,77	17,91	81,9	21,6	87,6%	75,8%	66,4%
320,00	0,08	0,56	2,63	524,2%	20,77	17,86	81,8	21,6	87,1%	75,9%	66,2%
321,00	0,10	0,54	2,59	533,5%	20,77	17,91	81,6	21,6	87,3%	75,8%	66,2%
322,00	0,12	0,53	2,58	539,0%	20,77	17,93	81,2	21,6	87,5%	75,8%	66,4%
323,00	0,08	0,53	2,56	544,2%	20,77	17,95	80,9	21,5	87,5%	75,8%	66,4%
324,00	0,08	0,55	2,57	536,1%	20,77	17,92	81,0	21,6	87,0%	75,8%	66,0%
325,00	0,08	0,56	2,56	536,9%	20,77	17,93	80,8	21,6	86,9%	75,9%	65,9%
326,00	0,08	0,55	2,57	536,1%	20,77	17,92	80,4	21,6	87,0%	76,0%	66,1%
327,00	0,08	0,55	2,55	540,7%	20,77	17,94	80,2	21,6	87,1%	75,9%	66,1%
328,00	0,08	0,54	2,54	544,3%	20,77	17,96	80,2	21,6	87,1%	75,9%	66,1%
329,00	0,08	0,54	2,53	548,1%	20,77	17,98	80,2	21,6	87,2%	75,8%	66,1%
330,00	0,03	0,54	2,52	549,2%	20,77	17,98	79,7	21,6	87,2%	75,9%	66,2%
331,00	0,08	0,54	2,52	549,2%	20,77	17,98	79,4	21,5	87,2%	76,0%	66,2%
332,00	0,03	0,53	2,51	552,2%	20,77	18,00	79,4	21,5	87,2%	75,9%	66,2%
333,00	0,03	0,53	2,51	553,3%	20,78	18,00	79,0	21,5	87,2%	76,0%	66,2%
334,00	0,03	0,53	2,49	558,9%	20,78	18,03	78,9	21,5	87,2%	75,9%	66,2%
335,00	0,03	0,53	2,45	566,4%	20,78	18,06	78,8	21,5	87,0%	75,7%	65,9%
336,00	0,03	0,53	2,43	569,7%	20,78	18,08	78,4	21,5	86,9%	75,7%	65,8%
337,00	0,03	0,52	2,44	571,8%	20,78	18,08	78,1	21,5	87,2%	75,8%	66,1%
338,00	0,03	0,52	2,45	570,3%	20,78	18,07	78,2	21,5	87,3%	75,9%	66,3%
339,00	0,03	0,51	2,43	574,7%	20,78	18,09	78,1	21,5	87,4%	75,8%	66,3%
340,00	0,03	0,51	2,44	571,3%	20,78	18,08	77,7	21,5	87,4%	75,9%	66,3%
341,00	0,03	0,51	2,42	576,1%	20,78	18,10	77,8	21,4	87,3%	75,8%	66,2%
342,00	0,00	0,51	2,42	577,7%	20,78	18,10	77,6	21,5	87,4%	75,9%	66,3%

Date: 2023-02-14 Manufacturer: US STOVE Model: US 1100E  
Project #: PI 20283 Run: 1 Tech: MM Reviewer: SP

- kindling @ 1 LBS START FIRE
- 1 min torche
- close Door immediately
- Fan off
- At 1.2 LBS insert load and open Fan
- At 3.00 LBS stop pompe and Fan
- At 1.8 LBS insert load
- close Door immediately
- At 14.3 LBS close air inlet (medium)
- At 14.00 LBS close air inlet completely
- At 14.00 LBS open Fan

# PRE / POST CHECKS

Date: 2023-02-14 Manufacturer: US Stove Model: US100E  
 Project #: PI 20283 Run: 1 Tech: MM Reviewer: JP

Moisture Meter Calibration Check:

Equipment #	Time	12%	22%
EM-334	7:00	OK	OK

Pre-Test Post-Test

**Facility Conditions:**  
 Air Velocity from less than 2 feet (max 50 Fpm) .....  
 Smoke Capture Check (Tunnel velocity) .....  
 Psychrometer filled and placed in tunnel.....

0	0
OK	NA
OK	OK

**Wood Heater Conditions:**

Date Wood Heater Stack Cleaned.....  
 Date Dilution Tunnel Cleaned.....  
 Induced Draft Check (max 0.005 H<sub>2</sub>O) .....  
 Traverse before ignition.....

2023-02-14
2023-02-14
OK
OK

**Temperature System:**

Ambient (65°-90°F) .....

OK	°F
----	----

**Proportional Checks:**

Thermocouple check.....  
 Pitot Clean.....  
 Pitot verification.....

OK
OK
OK

Pictures for report.....

Side	OK
Coal bed	OK
Load	OK
Load in stove	OK
Fuel adjustment	OK

Load Length approximately 5/6 of firebox Length.....

OK
----



# SAMPLING EQUIPMENT CHECK OUT

Date: 2023-02-14      Manufacturer: US 5606      Model: US 11006  
 Project #: PT 20283      Run: 1      Tech: h m      Reviewer: [Signature]

## Leakage Checks Tunnel Samplers

High fire test	System 1 <sup>st</sup> hour		System 1		System 2		Ambient	
	Pre-Test ASTM (-15) CSA B415 (-5)	Post-Test (Max test)	Pre-Test ASTM (-15) CSA B415 (-5)	Post-Test (Max test)	Pre-Test ASTM (-15) CSA B415 (-5)	Post-Test (Max test)	Pre-Test ASTM (-15) CSA B415 (-5)	Post-Test (Max test)
Vacuum (inches Hg.)	-10	-10	-10	-10	-10	-10	-10	-10
Final 1 minute DGM (Liter)	1950.38	1962.39	775.26	775.784	522.566	523.378	428.575	429.049
Initial 1 minute DGM (Liter)	1950.38	1962.39	775.26	775.784	522.566	523.378	428.575	429.049
Change © (Liter)	0	0	0.0	0.07	0	0	0	0.05
Allowable leakage .04 x Sample rate or 0.28Lpm CSA B415 (0.56)								
Check OK	OK	OK	OK	OK	OK	OK	OK	OK





# SAMPLING EQUIPMENT CHECK OUT

Date: 2023-02-14      Manufacturer: US 1100E      Model: US 1100E  
 Project #: PT 20283      Run: 1      Tech: MP      Reviewer: AO

## Leakage Checks Tunnel Samplers

Low/Medium fire test	System 1 <sup>st</sup> hour		System 1		System 2		Ambient	
	Pre-Test ASTM (-15) CSA B415 (-5)	Post-Test (Max test)	Pre-Test ASTM (-15) CSA B415 (-5)	Post-Test (Max test)	Pre-Test ASTM (-15) CSA B415 (-5)	Post-Test (Max test)	Pre-Test ASTM (-15) CSA B415 (-5)	Post-Test (Max test)
Vacuum (inches Hg.)	-10	-10	-10	-10	-10	-10	-10	-10
Final 1 minute DGM (Liter)	1962.53	1974.52	77578525	77768790	52313844	52503129	42905010	43064175
Initial 1 minute DGM (Liter)	1962.53	1974.52	77578523	77768788	52313840	52503126	42905010	43064175
Change © (Liter)	Ø	Ø	002	002	004	002	Ø	Ø
Allowable leakage .04 x Sample rate or 0.28Lpm CSA B415 (0.56)								
Check OK	OK	OK	OK	OK	OK	OK	OK	OK



# SAMPLING EQUIPMENT CHECK OUT

Date: 2023-02-14 Manufacturer: US 5606 Model: US 1100L  
 Project #: PT 20283 Run: 1 Tech: MY Reviewer: [Signature]

## Leakage Checks Flue Gas Sampler

Plugged Probe	Pre-Test	Post Test
Vacuum (inches Hg.)	-5	-5
Rotameter Reading (mm l/min.)	0	0
Flow Rate (lpm)	1.5	1.5
Allowable (.02 x Sample Rate)	30	30
Check OK	OK	OK

## Leakage Checks Pitot

Plugged Probe	Pre-Test 3 H2O static	Pre-Test 0.4-0.5 H2O velocity	Post Test 3 H2O Static	Post Test 0.4-0.5 H2O velocity
Vacuum (inches Hg.)	3	.4	3	.5
Check OK (no change after 15 sec.)	OK	OK	OK	OK



Date: 2023-02-14 Manufacturer: US stove Model: US 1100E  
 Project #: PI 20283 Run: 1 Tech: MM Reviewer: DL

Scale Type	Audit		Measured Weight
	Equipment #	Weight	
Platform	EM-090	44 lbs, Class F	44 lbs
Platform	EM-205	10,00 Kg, Class F	10,00 Kg
Wood	EM-090	440 lbs, Class F	440 lbs
Analytical	EM-335	100 mg, Class S	100 mg
Analytical	EM-129	200 g, Class S	200 g

**LIMITS OF WEIGHT RANGES**

**ANALYTICAL SCALE:** ..... 50%-150% of dry filter weight, ± 0.1 mg  
**PLATFORM SCALE:** ..... 20%-80% of ideal test load weight, ± 0.1 lbs or 1%  
**WOOD SCALE:** ..... 20%-80% of ideal test load weight, ± 0.01 lbs or 1%



**CONTINUOUS ANALYZERS**

 Date: 2023-02-14 Manufacturer: US Slove Model: US 1100 E  
 Project #: PI 60283 Run: 1 Tech: MM Reviewer: [Signature]

FOR TUNNELS 12 in

 Barometric pressure ( $P_{bar}$ ) \_\_\_\_\_ (KPa.) Static pressure ( $P_q$ ) \_\_\_\_\_ (inches w.c.)  
 Pitot tube type: Standard

Traverse Point	Position (inches)	Velocity Head $\Delta_p$ (inches H <sub>2</sub> O)	Tunnel Temperature (°F)
A Center	6	0066	7604
B Center	6	0067	7652
A-1	0.53	0053	7604
A-2	1.75	0055	7604
A-3	3.55	0063	7550
A-4	8.45	0065	7550
A-5	10.25	0065	7538
A-6	11.47	0053	7538
B-1	0.53	0053	7652
B-2	1.75	0061	7664
B-3	3.55	0064	7664
B-4	8.45	0068	7677
B-5	10.25	0066	7630
B-6	11.47	0053	7630



# TEST DATA LOG

Date: 2023-02-14 Manufacturer: US Stove Model: US 1100E  
 Project #: PT 25283 Run: 1 Tech: J.M Reviewer: [Signature]

## Pre-Test (Adjust and Record)

	ZERO		SPAN		CAL. (Record Only)	
	Actual	Should Be	Actual	Should Be	Actual	Should Be
CO	0	0	3051	3000	1020	1000
Tolerance CO	0	+/- 0.02	0051	+/- 0.15	0020	+/- 0.05
CO <sub>2</sub>	0	0	1808	1800	981	1000
Tolerance CO <sub>2</sub>	0	+/- 0.02	008	+/- 0.5	019	+/- 0.5
O <sub>2</sub> informative CSA B415 calculated value	na	na	na	na	na	na
	Actual	Should Be	Actual	Should Be	Actual	Should Be

## Post Test (Record Only)

	Zero	Span	Cal.	Zero Drift	Limit	Span Drift	Limit	Cal. Drift	Limit	OK?	Not OK*
CO	0	3048	1014	0	0.02	0003	0.15	0.006	0.05	✓	
CO <sub>2</sub>	0	1806	984	0	0.02	002	0.5	0.03	0.5	✓	

Date: 2023-02-14 Manufacturer: US Slovic Model: US 1100E  
 Project #: PI 20283 Run: 1 Tech: JMM Reviewer: NO

**RAW DRY GAS METER READINGS**

	System 1 <sup>st</sup> hour	System 1	System 2	Blank
High fire test	Final (Liter)	775784, 18	523136, 90	429048, 75
	Initial (Liter)	1950, 49	522566, 68	428575, 91
Low medium fire test	Final (Liter)	777687, 51	525030, 22	430641, 13
	Initial (Liter)	1962, 60	523138, 46	429050, 55

**AMBIENT CONDITIONS**

	Before	After
Barometer (kPa):	1012	1014
Dry Bulb (F):	712	733
Humidity (%):	301	286



## FUEL DATA

Date: 2023-07-14 Manufacturer: VS 5 Love Model: VS 1100 E  
 Project #: PT20283 Run: 1 Tech: mm Reviewer: [Signature]

### FUEL DESCRIPTION:

Type of wood

### KINDLING AND START-UP LOAD

Piece Size	Weight	Meter Moisture Content (% dry)		
1/2 x 1/2 x 16 in.	2 234 lbs.	10	10	10
x x in.	lbs.			
1/2 x 1/2 x 16 in.	3 854 lbs.	19	19	19
x x in.	lbs.			
x x in.	lbs.			
x x in.	lbs.			
x x in.	lbs.			
x x in.	lbs.			
x x in.	lbs.			

### HIGHFIRE TEST LOAD

Piece Size	Weight	Meter Moisture Content (% dry)		
2 3/4 x 4 1/2 x 16 in.	2 584 lbs.	21.7	22	199
3 00 x 3 1/2 x 16 in.	2 698 lbs.	21.9	21	196
3 1/2 x 3 1/2 x 16 in.	2 722 lbs.	20.5	20	193
x x in.	lbs.			
4 3/4 x 5 x 16 in.	5 502 lbs.	21.9	21	198
x x in.	lbs.			
x x in.	lbs.			
x x in.	lbs.			
x x in.	lbs.			

## FUEL DATA

Date: 2023-02-14 Manufacturer: US Stove Model: US 1100 E  
 Project #: PT 20283 Run: 1 Tech: M L Reviewer: [Signature]

### FUEL DESCRIPTION:

Type of wood:

### LOW OR MEDIUM TEST LOAD

Piece Size		Weight	Meter Moisture Content (% dry)				
3 1/2	x 4 1/4 x 16 in.	3 282 lbs.	22.1		19.5		19.1
3 3/4	x 3 1/2 x 16 in.	3 318 lbs.	20.5		22.8		18.9
4.00	x 3 1/4 x 16 in.	3 316 lbs.	19.6		18.6		19
	x x in.	lbs.					
4 1/2	x 4 3/4 x 16 in.	4 496 lbs.	22.1		23.7		20.7
3	x 3 1/4 x 16 in.	2 028 lbs.	21.7		22.1		19.8
	x x in.	lbs.					
	x x in.	lbs.					
	x x in.	lbs.					
	x x in.	lbs.					
	x x in.	lbs.					
	x x in.	lbs.					
	x x in.	lbs.					
	x x in.	lbs.					



# DILUTION TUNNEL PARTICULATE SAMPLER DATA

Date: 2023-02-14      Manufacturer: US stove      Model: US 1100E  
 Project #: PZ 20283      Run: 1      Tech: M.H.      Reviewer: [Signature]

Pre-test Weight Record		HIGH FIRE TEST FILTERS					
		SYSTEM 1 <sup>st</sup> hour		SYSTEM 1			
Date	Time	Probe & Housing Number	Front & Back Filter Number	gaskets	Probe & Housing Number	Front & Back Filter Number	gaskets
2023-02-13	17:00	93 7182	01814	34 0119	72	532 - 533	34
2023-02-14	9:00	93 7183	01813	34 0118	94 5380	01822	35 0840
					94 5379	01823	35 0839

Post-test Weight Record		HIGH FIRE TEST FILTERS					
		SYSTEM 1 <sup>st</sup> hour		SYSTEM 1			
Date	Time	Probe & Housing Number	Front & Back Filter Number	gaskets	Probe & Housing Number	Front & Back Filter Number	gaskets
2023-02-14	15:00	93 7195	01834	34 0129	72	532 - 533	34
2023-02-17	9:00	93 7183	01827	34 0118	94 5388	01849	35 0847
2023-02-20	9:00	93 7183	01826	34 0118	94 5379	01841	35 0839
					94 5379	01840	35 0839

# DILUTION TUNNEL PARTICULATE SAMPLER DATA

Date: 2023-02-14 13<sup>h</sup>  
 Project #: PT 20283

Manufacturer: US 5 tové  
 Run: 1  
 Tech: MA

Model: US 1100E  
 Reviewer: SP

HIGH FIRE TEST FILTERS					
SYSTEM 2					
Pre-test Weight Record		Probe & Housing Number	Front & Back Filter Number	gaskets	Blank Filter
Date	Time				
2023-02-13	17:00	40	534-549	45	550
		110 1010	01891	34 2735	00893
2023-02-14	9:00	110 1010	01892	34 2736	00893

HIGH FIRE TEST FILTERS					
SYSTEM 2					
Post-test Weight Record		Probe & Housing Number	Front & Back Filter Number	gaskets	Blank Filter
Date	Time				
2023-02-14	15:00	40	534-549	45	550
		110 1020	01920	34 2748	00895
2023-02-17	9:00	110 1010	01911	34 2736	00894
2023-02-20	9:00	110 1010	01910	34 2736	00894

test end  
14:00



**DILUTION TUNNEL PARTICULATE SAMPLER DATA**

Date: 2023-02-13 Manufacturer: US Stove Model: US 1100 E

Project #: PT 20183 Run: 1 Tech: MM Reviewer: DP

Pre-test Weight Record		LOW/MEDIUM FIRE TEST FILTERS					
Date	Time	SYSTEM 1 <sup>st</sup> hour		SYSTEM 1			
		Probe & Housing Number	Front & Back Filter Number	gaskets	Probe & Housing Number	Front & Back Filter Number	gaskets
		04	542-543	41	09	544-545	42
2023-02-13	17:00	613975	01800	333329	<del>614550</del> 614550	01816	345352
2023-02-14	10:00	613974	01800	333328	614549	01815	345353

Post-test Weight Record		LOW/MEDIUM FIRE TEST FILTERS					
Date	Time	SYSTEM 1 <sup>st</sup> hour		SYSTEM 1			
		Probe & Housing Number	Front & Back Filter Number	gaskets	Probe & Housing Number	Front & Back Filter Number	gaskets
		04	542-543	41	09	544-545	42
2023-02-14	20:30	613976	01815	333345	614550	01856	345359
2023-02-17	9:00	613974	01815	333328	614549	01854	345353
2023-02-20	9:00	613974	01814	333328	614549	01853	345353



# DILUTION TUNNEL PARTICULATE SAMPLER DATA

Date: 2023-02-13      Manufacturer: US Stove      Model: US 1100E  
 Project #: PI 20283      Run: 1      Tech: JM      Reviewer: [Signature]

LOW/MEDIUM FIRE TEST FILTERS					
SYSTEM 2					
Pre-test Weight Record		Probe & Housing Number	Front & Back Filter Number	gaskets	Blank Filter
Date	Time				
2023-02-13	17:30	1091648	01797	345123	00903
2023-02-14	10:30	1091647	01796	345124	00904

LOW/MEDIUM FIRE TEST FILTERS					
SYSTEM 2					
Post-test Weight Record		Probe & Housing Number	Front & Back Filter Number	gaskets	Blank Filter
Date	Time				
2023-02-14	20:30	1091651	01838	345144	00906
2023-02-17	9:00	1091647	01835	345124	00905
2023-02-20	9:05	1091647	01834	345124	00905

*test and 20700*

## Paramètres

Tous les facteurs de corrections et autres paramètres qui peuvent être modifiés par l'utilisateur du fichier sont regroupés ici.

Code verrouillage:

### Description du test

Test standard	EPA
Run #	2
Date	16-02-2023
Technicien	M.M
Project #	PI 20283

### Description de l'unité

Manufacturier	US STOVE	
Modèle	US 1100E	
Combustion system	Non-Cat	
Appliance type	WOOD STOVE	
Firebox volume	1,31	cu ft.
Appliance weight empty	N.A	lbs
Fan (no, Standard, Option)	option	

### Paramètres du test

Logging time	1	min
Manufacturer's rated heat output	n.a	BTU/h Donnée fournie par le manufacturier
Targeted category	1	
Targeted output	n.a	BTU/h
Cp steel	n.a	BTU/lb-°F

### Échantillonnage

Blank sampling rate	0,20	cuft/min
Internal probe diameter	0,18	in.
Calibration Factor (DGM #1):	1,000	Dimensionless
Equipment number (DGM #1):	EM 178	
Calibration Factor (DGM #2):	1,006	Dimensionless
Equipment number (DGM #2):	EM 318	
Calibration Factor (DGM room):	1,003	Dimensionless
Equipment number (DGM room):	EM 179	Dimensionless
Calibration Factor (DGM 1st Hr):	0,999	Dimensionless
Equipment number (DGM 1st Hr):	EM 130	Dimensionless

### Tunnel

Targeted tunnel flow rate	700	scfm
Tunnel diameter	12	in.
Molecular weight	29	29 as per ASTM E2515
Pitot tube type	Standard	
Pitot tube coefficient	0,99	Dimensionless

Project nu.	PI 20283
Date	16-02-2023
Technicien	M.M

### Fuel data

Fuel type	Cord	
Fuel specie	Oak	
HHV	20207,0	kJ/kg
%C	49,5	
%H	6,6	
%O	43,7	
%Ash	0,2	
HHV	8689,9	Btu/lb
LHV	7600,4	Btu/lb

Default Fuel Values		
	D. Fir	Oak/Maple
HHV	19 810	20 207
%C	48,73	49,5
%H	6,87	6,62
%O	43,9	43,7
%Ash	0,5	0,2
HHV (Btu/lb)	8519	8690
LHV (Btu/lb)	7451	7600

Adjunct to ASTM E XXXX Wood Heater Cordwood Test Method - May 10, 2017 Version

Cordwood Fuel Load Calculators - 10 lb/ft<sup>3</sup> Nominal Load Density

Core 45-65% of Total Load Weight, Remainder 35-55% of Total Load Weight

Values to be input manually

For All Usable Firebox Volumes - High Fire Test Only						
Nominal Required Load Density (wet basis)	10	lb/ft <sup>3</sup>				
Usable Firebox Volume	1,31	ft <sup>3</sup>				
Total Nom. Load Wt. Target	13,10	lb				
Total Load Wt. Allowable Range	12,40	to	13,80	lb		
Core Target Wt. Allowable Range	5,90	to	8,50	lb		
Remainder Load Wt. Allowable Range	4,60	to	7,20	lb		
					Mid-Point	
Core Load Pc. Wt. Allowable Range	2,00	to	3,30	lb	2,65	
Remainder Load Pc. Wt. Allowable Range	1,30	to	7,20	lb	4,25	
		Pc. #				
Core Load Piece Wt. Actual	1	2,73	lb	In Range		
	2	2,71	lb	In Range		
	3	2,71	lb	In Range		
Core Load Total. Wt. Actual		8,15	lb	In Range		
		Pc. #				
Remainder Load Piece Wt.	1	5,51	lb	In Range		
(1 to 3 Pcs.)	2		lb	NA		
	3		lb	NA		
Remainder Load Tot. Wt. Act		5,51	lb	In Range		
Total Load Wt. Actual		13,66	lb	In Range		
Core % of Total Wt.		60%		In Range	45-65%	
Remainder % of Total Wt.		40%		In Range	35-55%	
Actual Load % of Nominal Target		104%		In Range	95-105%	
Actual Fuel Load Density		10,4	lb/ft <sup>3</sup>			
<b>Kindling and Start-up Fuel</b>						
Maximum Kindling Wt. (20% of Tot. Load Wt.)		2,73	lb			
Actual Kindling Wt.		2,19	lb	In Range	16,1%	
Maximum Start-up Fuel Wt. (30% of Tot. Load Wt.)		4,10	lb			
Actual Start-up Fuel Wt.		3,87	lb	In Range	28,3%	
Allowable Residual Start-up Fuel Wt. Range	1,4	to	2,7	lb	Mid-Point	
Actual Residual Start-up Fuel Wt.		1,7	lb	In Range	2,0	
Total Wt. All Fuel Added (wet basis)		19,72	lb			
<b>High Fire Test Run End Point Range</b>						
	Low		High		Mid-Point	
Based on Fuel Load Wt. (w/tares)	1,2	to	1,5	lb	1,4	
Actual Fuel Load Ending Wt.		1,3	lb	In Range		

Fuel Piece Moisture Reading (%-dry basis)							
	1	2	3	Ave.		Pc. Wt. Dry Basis	
	23,8	21,4	21	22,1	In Range	2,23	1,01
	19,9	19,2	18,8	19,3	In Range	2,27	1,03
	19,7	19,4	19	19,4	In Range	2,27	1,03
	23,8	21,6	19,9	21,8	In Range	4,53	2,05
				NA	NA	NA	NA
				NA	NA	NA	NA
Total Load Ave. MC (%-dry basis)				20,8	In Range		
Total Load Ave. MC % (wet basis)				17,3			
Total Test Load Weight (dry basis)						11,30	5,13
<b>Kindling Moisture (%-dry basis)</b>							
	10	10	10	10,0	In Range	1,99	0,90
<b>Start-up Fuel Moisture Readings (%-dry basis)</b>							
	19	19	19	19,0	In Range	3,25	1,47
Total Wt. All Fuel Added (dry basis)						16,55	7,50
Total Wt. All Fuel Burned (dry basis)						13,5	6,1
Total Wt. All Fuel Burned (wet basis)						16,7	7,6

Load pieces Length in. 16 in.

Adjunct to ASTM E XXXX Wood Heater Cordwood Test Method - May 10, 2017 Version  
 Cordwood Fuel Load Calculators - 12 lb/ft<sup>3</sup> Nominal Load Density  
 Core 45-65% of Total Load Weight, Remainder 35-55% of Total Load Weight  
 Values to be input manually

THIS DOCUMENT IS NOT AN ASTM STANDARD. IT IS UNDER CONSIDERATION WITHIN AN ASTM TECHNICAL COMMITTEE BUT HAS NOT RECEIVED ALL APPROVALS REQUIRED TO BECOME AN ASTM STANDARD. IT SHALL NOT BE REPRODUCED OR CIRCULATED OR QUOTED, IN WHOLE OR IN PART, OUTSIDE OF ASTM COMMITTEE ACTIVITIES EXCEPT WITH THE APPROVAL OF THE CHAIRMAN OF THE COMMITTEE HAVING JURISDICTION AND THE PRESIDENT OF THE SOCIETY. COPYRIGHT ASTM, 100 BARR HARBOR DRIVE, WEST CONSHOHOCKEN, PA 19428. ALL RIGHTS RESERVED.

For Usable Firebox Volumes up to 3.0 ft <sup>3</sup> - Low and Medium Fire				
Nominal Required Load Density (wet basis)	12	lb/ft <sup>3</sup>		
Usable Firebox Volume	1,31	ft <sup>3</sup>		
Total Nom. Load Wt. Target	15,72	lb		
Total Load Wt. Allowable Range	14,93	to 16,51	lb	
Core Target Wt. Allowable Range	7,074	to 10,22	lb	
Remainder Load Wt. Allowable Range	5,50	to 8,65	lb	
				Mid-Point
Core Load Fuel Pc. Wt. Allowable Range	2,36	to 3,93	lb	3,14
Remainder Load Pc. Wt. Allowable Range	1,57	to 4,72	lb	3,14
	Pc. #			
Core Load Piece Wt. Actual	1	3,34	lb	In Range
	2	3,30	lb	In Range
	3	3,25	lb	In Range
Core Load Total. Wt. Actual		9,90	lb	In Range
	Pc. #			
Remainder Load Piece Wt.	1	4,47	lb	In Range
(2 or 3 Pcs.)	2	2,02	lb	In Range
	3		lb	NA
Remainder Load Piece Weight Ratio - Small/Large		45%		≤ 67%
Remainder Load Tot. Wt. Act		6,49	lb	In Range
Total Load Wt. Actual		16,38	lb	In Range
Core % of Total Wt.		60%		In Range 45-65%
Remainder % of Total Wt.		40%		In Range 35-55%
Actual Load % of Nominal Target		104%		In Range 95-105%
Actual Fuel Load Density		12,5	lb/ft <sup>3</sup>	
Allowable Charcoal Bed Wt. Range (lb)	1,7	to 3,2		Mid-Point
Actual Charcoal Bed Wt.		2,5	lb	In Range
Actual Fuel Load Ending Wt.		0,0	lb	Valid Test ≥ 90%
Total Wt. of Fuel Burned During Test Run lb.		16,4	lb	
Load pieces Length in.		16	in.	

Fuel Piece Moisture Reading (%-dry basis)								
1	2	3	Ave.			Pc. Wt. Dry Basis		
21,2	19,9	19,2	20,1	In Range	2,78	lb	1,26	kg
19,9	19,3	18,8	19,3	In Range	2,77	lb	1,26	kg
20,1	19,5	19	19,5	In Range	2,72	lb	1,23	kg
21,2	19,7	19,1	20,0	In Range	3,72	lb	1,69	kg
19,7	19,2	18,7	19,2	In Range	1,69	lb	0,77	kg
			NA	NA	NA	lb	NA	kg
Total Load Ave. MC % (dry basis)			19,7	In Range				
Total Load Ave. MC % (wet basis)			16,5					
Total Test Load Weight (dry basis)					13,69	lb	6,21	kg
Total Fuel Weight Burned During Test Run (dry basis)					13,7	lb	6,21	kg

	Start	End
Barometer (kPa):	100,1	100,1
Barometer (in.Hg):	29,559519	29,55951887
Dry Bulb (F):	71,6	72,6
Humidity (%):	26,5	29,9
Air velocity (ft/min)	0	0

High fire test			
DGM #1st hr	Final:	1986,100 cuft	Final: 1986,100 cuft
	Initial:	1974,720 cuft	Initial: 1974,720 cuft
DGM #1	Final:	27487,515 cuft	Final: 778359,720 Liter
	Initial:	27463,883 cuft	Initial: 777690,540 Liter
DGM #2	Final:	18565,383 cuft	Final: 525713,080 Liter
	Initial:	18541,342 cuft	Initial: 525032,340 Liter
DGM room	Final:	15227,510 cuft	Final: 431195,050 Liter
	Initial:	15207,995 cuft	Initial: 430642,450 Liter

min or med burnrate			
DGM #1st hr	Final:	1998,200 cuft	Final: 1998,200 cuft
	Initial:	1986,180 cuft	Initial: 1986,180 cuft
DGM #1	Final:	27524,190 cuft	Final: 779398,250 Liter
	Initial:	27487,637 cuft	Initial: 778363,180 Liter
DGM #2	Final:	18602,229 cuft	Final: 526756,450 Liter
	Initial:	18565,503 cuft	Initial: 525716,500 Liter
DGM room	Final:	15257,170 cuft	Final: 432034,920 Liter
	Initial:	15227,591 cuft	Initial: 431197,350 Liter

Numéro de la ligne dans "Raw data" à partir duquel les données du test commence	42
Numéro de la ligne dans "Raw data" à partir duquel les données du highfire test commence	78
Numéro de la ligne dans "Raw data" à partir duquel les données du min ou medium fire test commence	179

Autres données à rentrer: dans preload data, load data, traverse et filter set weight

<b>Project nu.</b>	PI 20283
<b>Date</b>	16-02-2023
<b>Technicien</b>	M.M

**Filter set weight highfire**

	System 1 (g) 1st hour			System 1 (g)			System 2 (g)			Ambient blank (g)	Date	Heure	Test End date & time
	probe	front / Back	gasket	probe	front / Back	gasket	probe	front / Back	gasket	Filter			
Number	1	446-447	7	17	448-449	36	38	450-540	37	541			2023-02-16
Before (1)													
Before (2)													
Before (3)													
Before (4)													
Before (5)	61,0943	0,1880	34,3170	108,9415	0,1799	34,5361	110,4351	0,1791	35,1598	0,0907	2023-02-15	17:00	
Before (6)	61,0943	0,1880	34,3169	108,9416	0,1798	34,5362	110,4352	0,1791	35,1598	0,0908	2023-02-16	09:00	
After (1)	61,0948	0,1901	34,3180	108,9424	0,1823	34,5373	110,4357	0,1815	35,1606	0,0908	2023-02-16	14:00	13:20
After (2)	61,0943	0,1897	34,3170	108,9416	0,1818	34,5362	110,4352	0,1813	35,1598	0,0908	2023-02-20	09:00	
After (3)	61,0943	0,1896	34,3170	108,9416	0,1817	34,5362	110,4352	0,1812	35,1598	0,0908	2023-02-24	09:00	
After (4)													
After (5)													
After (6)	61,0943	0,1896	34,3170	108,9416	0,1817	34,5362	110,4352	0,1812	35,1598	0,0908	2023-02-24	09:00	
Difference	0,0000	0,0016	0,0001	0,0000	0,0019	0,0000	0,0000	0,0021	0,0000	0,0000			
Total (mg)		1,7			1,9			2,1		0			
Total ajusté (mg)		<b>1,70</b>			<b>1,90</b>			<b>2,10</b>					

<b>Project nu.</b>	PI 20283
<b>Date</b>	16-02-2023
<b>Technicien</b>	M.M

**Filter set weight Low/ medium fire**

	System 1 (g) 1st hour			System 1 (g)			System 2 (g)			Ambient blank (g)	Date	Heure	Test End date & time
	probe	front / Bac	gasket	probe	front / Bac	gasket	probe	front / Back	gasket	Filter			
Number	10	635-636	6	13	637-638	32	30	639-640	35	641			2023-02-16
Before (1)													
Before (2)													
Before (3)													
Before (4)													
Before (5)	94,6377	0,1950	34,8522	95,1464	0,1962	34,3859	110,2130	0,1969	34,8920	0,0980	2023-02-15	17:00	
Before (6)	94,6377	0,1951	34,8522	95,1465	0,1963	34,3860	110,2129	0,1968	34,8919	0,0979	2023-02-16	11:00	
After (1)	94,6384	0,1959	34,8531	95,1474	0,1978	34,3869	110,2135	0,1983	34,8926	0,0980	2023-02-16	17:00	16:38
After (2)	94,6377	0,1959	34,8522	95,1465	0,1976	34,3860	110,2129	0,1981	34,8919	0,0980	2023-02-20	09:00	
After (3)	94,6377	0,1958	34,8522	95,1465	0,1975	34,3860	110,2129	0,1980	34,8919	0,0980	2023-02-24	09:00	
After (4)													
After (5)													
After (6)	94,6377	0,1958	34,8522	95,1465	0,1975	34,3860	110,2129	0,1980	34,8919	0,0980	2023-02-24	09:00	
Difference	0,0000	0,0007	0,0000	0,0000	0,0012	0,0000	0,0000	0,0012	0,0000	0,0001			
Total (mg)		0,7			1,2			1,2		0,1			
Total ajusté (mg)		<b>0,60</b>			<b>1,10</b>			<b>1,10</b>					

<b>Project nu.</b>	PI 20283
<b>Date</b>	16-02-2023
<b>Technicien</b>	M.M

SFBA EPA EMISSION RESULTS

RESULTS

**Average emission rate:** 3,9 g/hr

**Test Duration:** 127 min

Burn Rate : 2,991 Dry kg/hr

PRESSURE FACTOR: DGM 1st hr 0,95716  
 DGM 1 0,95201  
 DGM 2 0,94838  
 DGM room 0,98795

BAROMETRIC PRESSURE  
 Average: 29,55951887 in Hg  
 Start: 29,55951887 in Hg  
 End: 29,55951887 in Hg

TEMPERATURE FACTORS DGM 1st hr 0,99460  
 DGM 1 0,99199  
 DGM 2 0,98436  
 DGM room 0,99415

DGM CONTROLLER VALUES  
 DGM 1st hr Final: 1986,100 Cuft  
 Initial: 1974,720 Cuft

VOLUMES SAMPLED DGM 1st hr 10,817 SCft  
 DGM 1 22,307 SCft  
 DGM 2 22,578 SCft  
 DGM room 19,224 SCft

DGM 1 Final: 27487,515 Cuft  
 Initial: 27463,883 Cuft

DGM 2 Final: 18565,383 Cuft  
 Initial: 18541,342 Cuft

TOTAL TUNNEL VOLUME : 93379

DGMroom Final: 15227,510 Cuft  
 Initial: 15207,995 Cuft

SAMPLE RATIOS  
 Sample Train 1st Hr: 4078,251  
 Sample Train 1: 4186,014  
 Sample Train 2: 4135,739

TEMPERATURES  
 DGM 1st hr 530,868 °R  
 DGM 1 532,264 °R  
 DGM 2 536,388 °R

Particulate concentration  
 Sample Train 1st Hr **0,000157** g/dscf  
 Sample Train 1 **0,000085** g/dscf  
 Sample Train 2 **0,000093** g/dscf  
 Room **0,000000** g/dscf

CALIBRATION FACTORS  
 DGM 1st Hr 0,9985  
 DGM 1 0,9995  
 DGM 2 1,0061  
 DGM room 1,0030

TOTAL EMISSIONS  
 Sample Train 1st Hr **6,93** g  
 Sample Train 1 **7,95** g  
 Sample Train 2 **8,69** g

TUNNEL FLOW RATE: 735,265 Dscfm

PARTICULATE CATCH  
 Total Sample Train 1: 1,90 mg  
 Total Sample Train 2: 2,10 mg  
 Total Sample Train 1 1st hour: 1,70 mg

EMISSION RATES  
 Sample Train 1st Hr **6,93** g/hr  
 Sample Train 1 **3,76** g/hr  
 Sample Train 2 **4,10** g/hr

DEVIATION: 4,40%

Cs Train 1 Train 2 Train 1st Hr  
 8,517E-05 9,3009E-05 0,0001572



* Elapsed Time	Raw data row	* Weight	* CO	* CO <sub>2</sub>	* #1		* #2		* #3		* #4		* #5		* #6		* #7		* #8		Mass flow	DCM 1st hour	DCM 2nd hour	Filter	Mass flow 1st hour	DCM 1	DCM 1	Filter 1	Mass flow 2	DCM 2	DCM 2	Filter 2	Tunnel	Velo	Flow draft	Pressure	Filter 1st	Filter 1	Filter 2	Change in	T wet bulb
					Flow	Room	Flow	Room	Flow	Room	Flow	Room	Flow	Room	Flow	Room	Flow	Room	Flow	Room																					
0.0	42.00	6.0	0.0	0.1	70.0	69.2	73.8	70.5	69.7	69.8	69.8	69.5	0.00	69.4	69.5	83.9	0.00	69.89	69.93	85.51	0.00	69.87	70.22	81.05	0.07	0.11	-0.04	-0.25	0.04	0.06	0.07	0.81	-0.83	-0.01	0.1859268	57.01					
1.0	42.00	5.9	0.0	0.1	70.0	69.2	74.1	71.5	69.4	69.8	69.8	69.4	0.19	69.3	69.4	83.8	0.18	69.94	70.00	83.43	0.18	70.11	70.28	81.01	0.07	0.12	-0.08	-0.01	0.06	0.07	0.81	-0.83	-0.01	0.1859268	57.01						
2.0	42.00	5.9	0.0	1.1	120.1	69.3	74.0	82.9	70.3	69.8	70.0	69.9	0.19	69.3	69.4	83.0	0.18	69.88	70.02	82.17	0.18	70.12	70.39	85.06	0.07	0.12	-0.08	-0.04	-0.71	2.639299	87.06	0.07	0.12	-0.08	-0.04	-0.71	2.639299	87.06			
3.0	47.0	5.8	0.1	3.5	162.5	69.3	74.2	96.9	72.3	70.4	70.6	69.5	0.19	69.3	69.4	83.7	0.18	69.87	70.03	81.67	0.18	70.19	70.54	85.82	0.07	0.18	-0.79	-0.84	-0.73	6.484227	57.52	0.07	0.18	-0.79	-0.84	-0.73	6.484227	57.52			
4.0	47.0	5.8	0.1	4.2	212.8	69.3	74.2	141.9	69.6	70.0	70.6	69.4	0.19	69.3	69.4	84.0	0.18	69.89	70.05	81.01	0.18	70.12	70.47	85.16	0.07	0.23	-0.81	-0.84	-0.73	6.484227	57.52	0.07	0.23	-0.81	-0.84	-0.73	6.484227	57.52			
5.0	47.0	5.7	0.2	4.9	278.8	69.4	76.0	147.5	82.0	73.6	74.1	69.5	0.19	69.3	69.4	87.0	0.18	69.92	70.07	80.39	0.18	70.42	70.90	84.50	0.07	0.29	-0.85	-0.88	-0.77	19.485565	59.08	0.07	0.29	-0.85	-0.88	-0.77	19.485565	59.08			
6.0	48.0	5.5	0.2	5.8	358.4	69.4	77.7	193.8	90.8	76.5	77.5	69.5	0.19	69.3	69.4	87.7	0.18	69.93	70.11	82.32	0.18	70.57	71.07	83.99	0.07	0.34	-0.88	-0.90	-0.79	31.740178	60.03	0.07	0.34	-0.88	-0.90	-0.79	31.740178	60.03			
7.0	47.0	5.4	0.1	6.4	433.4	69.4	78.9	243.4	102.3	80.4	80.4	69.4	0.19	69.3	69.4	87.4	0.18	69.94	70.12	86.92	0.18	71.31	71.81	83.50	0.07	0.34	-0.91	-0.94	-0.81	43.922441	61.42	0.07	0.34	-0.91	-0.94	-0.81	43.922441	61.42			
8.0	50.0	5.3	0.1	5.8	380.4	69.5	78.8	259.1	116.8	80.5	88.7	69.7	0.19	69.4	69.4	87.2	0.18	70.01	70.20	86.86	0.18	70.93	71.51	83.91	0.07	0.34	-0.91	-0.94	-0.82	54.090106	61.94	0.07	0.34	-0.91	-0.94	-0.82	54.090106	61.94			
9.0	51.0	5.2	0.1	5.6	396.7	69.5	79.6	277.4	131.4	82.9	96.0	69.9	0.19	69.5	69.5	86.3	0.18	70.04	70.28	85.93	0.18	71.10	71.75	82.56	0.07	0.35	-0.92	-0.94	-0.83	63.622549	62.40	0.07	0.35	-0.92	-0.94	-0.83	63.622549	62.40			
10.0	52.0	5.0	0.2	6.4	465.3	69.6	80.9	301.9	146.3	80.4	90.9	70.1	0.19	69.5	69.5	86.5	0.18	70.07	70.35	85.03	0.18	71.30	71.86	82.17	0.07	0.37	-0.94	-0.96	-0.84	74.647474	63.17	0.07	0.37	-0.94	-0.96	-0.84	74.647474	63.17			
11.0	53.0	4.9	0.2	6.3	442.3	69.6	81.4	325.3	166.0	82.9	113.6	70.5	0.19	69.6	69.5	85.9	0.18	70.15	70.43	84.17	0.18	71.51	72.22	81.82	0.07	0.38	-0.93	-0.93	-0.83	85.467558	63.62	0.07	0.38	-0.93	-0.93	-0.83	85.467558	63.62			
12.0	54.0	4.8	0.2	6.2	457.7	69.6	82.3	348.6	172.2	114.6	123.4	70.9	0.19	69.6	69.5	85.5	0.18	70.23	70.53	83.99	0.18	71.73	72.49	81.51	0.07	0.39	-0.93	-0.93	-0.82	96.084686	64.20	0.07	0.39	-0.93	-0.93	-0.82	96.084686	64.20			
13.0	55.0	4.7	0.2	6.4	465.3	69.6	82.9	373.3	182.9	123.6	133.6	71.5	0.19	69.7	69.5	85.2	0.18	70.30	70.60	82.68	0.18	71.93	72.74	81.18	0.07	0.39	-0.92	-0.91	-0.81	106.903119	65.10	0.07	0.39	-0.92	-0.91	-0.81	106.903119	65.10			
14.0	56.0	4.5	0.2	6.2	486.8	69.6	83.7	395.9	192.3	130.9	143.8	72.1	0.19	69.8	69.5	84.8	0.18	70.32	70.70	82.09	0.18	72.08	73.01	83.13	0.07	0.40	-0.91	-0.92	-0.82	117.12942	65.65	0.07	0.40	-0.91	-0.92	-0.82	117.12942	65.65			
15.0	57.0	4.4	0.2	7.0	518.3	69.8	84.9	418.7	200.2	139.4	153.9	72.8	0.19	70.0	69.6	84.5	0.18	70.42	70.79	81.62	0.18	72.32	73.25	86.41	0.07	0.42	-0.92	-0.93	-0.82	127.11433	65.92	0.07	0.42	-0.92	-0.93	-0.82	127.11433	65.92			
16.0	58.0	4.2	0.1	7.2	547.1	69.9	86.0	447.9	207.3	148.2	163.6	73.5	0.19	70.0	69.6	83.5	0.18	70.59	70.89	81.21	0.18	72.53	73.53	86.35	0.07	0.44	-0.91	-0.91	-0.82	138.20019	66.18	0.07	0.44	-0.91	-0.91	-0.82	138.20019	66.18			
17.0	59.0	4.1	0.1	8.5	542.1	69.9	86.7	468.3	213.7	156.8	173.5	74.3	0.19	70.1	69.6	84.2	0.18	70.59	70.98	80.88	0.18	72.69	73.80	85.86	0.07	0.42	-0.91	-0.91	-0.82	147.43819	66.63	0.07	0.42	-0.91	-0.91	-0.82	147.43819	66.63			
18.0	60.0	3.9	0.1	7.8	539.9	70.0	86.2	479.3	219.5	166.8	184.2	75.3	0.19	70.2	69.7	83.9	0.18	70.64	71.10	81.95	0.18	72.83	74.08	85.30	0.07	0.42	-0.91	-0.91	-0.82	155.14857	67.18	0.07	0.42	-0.91	-0.91	-0.82	155.14857	67.18			
19.0	61.0	3.8	0.2	7.4	559.7	69.8	86.8	491.9	224.9	177.0	193.0	76.4	0.19	70.5	69.8	83.5	0.18	70.65	71.14	82.22	0.18	72.97	74.35	84.79	0.07	0.44	-0.91	-0.92	-0.83	163.15395	67.64	0.07	0.44	-0.91	-0.92	-0.83	163.15395	67.64			
20.0	62.0	3.6	0.1	7.7	566.8	70.0	87.7	512.4	230.0	187.5	206.1	77.5	0.19	70.6	69.8	83.4	0.18	70.77	71.20	82.61	0.18	73.17	74.60	84.38	0.07	0.46	-0.91	-0.91	-0.82	172.83196	66.88	0.07	0.46	-0.91	-0.91	-0.82	172.83196	66.88			
21.0	63.0	3.4	0.1	8.3	580.6	70.2	89.0	535.5	235.7	198.9	216.9	79.0	0.19	70.7	69.9	84.0	0.18	70.87	71.26	86.86	0.18	73.32	74.89	84.04	0.07	0.46	-0.91	-0.92	-0.83	183.31874	66.95	0.07	0.46	-0.91	-0.92	-0.83	183.31874	66.95			
22.0	64.0	3.3	0.1	8.9	595.7	70.3	89.4	557.8	242.5	205.9	227.9	81.6	0.19	70.8	70.0	84.0	0.18	70.96	71.31	85.95	0.18	73.46	75.15	83.69	0.07	0.46	-0.93	-0.93	-0.83	193.87539	67.01	0.07	0.46	-0.93	-0.93	-0.83	193.87539	67.01			
23.0	65.0	3.1	0.1	9.0	598.9	70.3	90.2	570.6	249.5	211.1	239.7	82.3	0.19	71.0	70.0	87.8	0.18	71.10	71.34	85.13	0.18	73.58	75.40	83.35	0.07	0.47	-0.94	-0.93	-0.83	202.77301	66.67	0.07	0.47	-0.94	-0.93	-0.83	202.77301	66.67			
24.0	66.0	3.0	0.2	8.7	599.8	70.5	90.6	583.4	256.8	233.0	252.4	84.2	0.19	71.1	70.0	88.3	0.18	71.16	71.43	84.48	0.18	73.68	75.66	83.12	0.07	0.47	-0.94	-0.93	-0.83	212.08678	66.52	0.07	0.47	-0.94	-0.93	-0.83	212.08678	66.52			
25.0	67.0	2.8	0.2	8.1	589.4	70.4	90.4	589.4	263.9	244.4	263.9	86.4	0.19	71.1	70.1	88.1	0.18	71.21	71.49	83.90	0.18	73.81	75.82	82.82	0.07	0.48	-0.94	-0.92	-0.82	219.24582	66.42	0.07	0.48	-0.94	-0.92	-0.82	219.24582	66.42			
26.0	68.0	2.7	0.2	7.9	597.8	70.5	90.6	598.6	271.3	255.8	275.6	88.6	0.19	71.3	70.2	87.9	0.18	71.32	71.61	83.41	0.18	74.00	76.15	82.56	0.07	0.44	-0.94	-0.94	-0.83	228.0978	65.64	0.07	0.44	-0.94	-0.94	-0.83	228.0978	65.64			
27.0	69.0	2.6	0.2	7.7	593.8	70.6	90.7	605.6	277.6	266.8	288.9	91.1	0.19	71.4	70.2	87.6	0.18	71.35	71.67	82.98	0.18	74.13	76.37	82.31	0.07	0.47	-0.94	-0.93	-0.83	235.71218	65.58	0.07	0.47	-0.94	-0.93	-0.83	235.71218	65.58			
28.0	70.0	2.5	0.1	7.9	608.6	70.6	90.9	608.6	284.7	279.0	297.7	93.7	0.19	71.5	70.3	87.7	0.18	71.43	71.75	82.48	0.18	74.27	76.62	82.09	0.07	0.45	-0.95	-0.94	-0.82	242.645	65.10	0.07	0.45	-0.95	-0.94	-0.82	242.645	65.10			
29.0	71.0	2.3	0.1	7.5	576.5	70.5	89.7	604.2	290.3	286.3	306.4	96.4	0.19	71.6	70.4	86.8	0.18	71.56	71.84	82.08	0.18	74.48	76.86	81.07	0.07	0.45	-0.95	-0.94	-0.83	246.8699	65.49	0.07	0.45	-0.95	-0.94	-0.83	246.8699	65.49			
30.0	72.0	2.2	0.2	7.0	567.6	70.4	89.6	597.3	296.1	295.0	315.5	99.5	0.19	71.7	70.4	86.3	0.18	71.64	71.83	81.82	0.18	74.53	77.08	81.53	0.07	0.44	-0.95	-0.94	-0.83	250.7938	65.56	0.07	0.44	-0.95	-0.94	-0.83	250.7938	65.56			
31.0																																									

121,0	163,0	3,7	0,1	8,6	643,9	72,0	96,4	691,7	288,3	432,5	475,7	309,4	0,00	74,2	73,4	86,6	0,18	73,50	73,36	81,48	0,18	77,14	78,69	81,48	0,07	0,49	-0,08	-1,74	-2,74	369,64165	73,09
122,0	164,0	3,6	0,1	8,6	640,3	72,2	96,5	692,9	293,4	435,5	477,5	314,8	0,00	74,3	73,5	86,2	0,18	73,57	73,36	81,50	0,18	77,16	78,67	81,47	0,07	0,48	-0,09	-1,77	-2,80	372,93794	73,09
123,0	165,0	3,5	0,1	8,5	640,6	72,3	96,2	693,9	299,0	439,3	478,0	318,9	0,00	74,3	73,5	85,8	0,18	73,56	73,34	81,49	0,18	77,14	78,66	81,38	0,06	0,49	-0,08	-1,80	-2,86	375,94065	72,97
124,0	166,0	3,4	0,1	8,5	640,4	72,4	96,7	694,5	305,7	442,1	479,5	325,1	0,00	74,3	73,6	85,3	0,18	73,65	73,36	81,46	0,18	77,17	78,68	81,34	0,07	0,48	-0,09	-1,83	-2,91	379,50797	72,84
125,0	167,0	3,2	0,1	8,5	627,3	72,1	96,0	693,6	315,1	445,8	480,4	330,2	0,00	74,4	73,6	85,0	0,18	73,74	73,40	81,48	0,18	77,24	78,71	81,30	0,07	0,47	-0,08	-1,87	-2,97	383,15534	72,09
126,0	168,0	3,1	0,2	7,8	606,6	72,3	95,1	686,6	324,2	447,4	481,7	335,0	0,00	74,4	73,6	84,5	0,18	73,76	73,41	81,43	0,18	77,31	78,73	81,24	0,07	0,46	-0,12	-1,91	-3,02	385,12239	71,51
127,0	169,0	3,1	0,3	7,0	582,5	72,5	94,0	673,9	334,6	449,7	484,3	340,3	0,00	74,4	73,6	#####	0,18	73,82	73,42	81,33	0,18	77,29	78,78	81,32	0,07	0,45	-0,07	-1,96	-3,08	386,66039	70,48

SFBA EPA EMISSION RESULTS

RESULTS

**Average emission rate:** 1,42 g/hr

**Test Duration:** 188 min

Burn Rate : 1,981 Dry kg/hr

PRESSURE FACTOR: DGM 1st hr 0,94658  
 DGM 1 0,93727  
 DGM 2 0,93895  
 DGM room 0,98795

BAROMETRIC PRESSURE  
 Average: 29,55951887 in Hg  
 Start: 29,55951887 in Hg  
 End: 29,55951887 in Hg

TEMPERATURE FACTORS DGM 1st hr 0,98506  
 DGM 1 0,98937  
 DGM 2 0,97969  
 DGM room 0,99266

DGM CONTROLLER VALUES  
 DGM 1st hr Final: 1998,200 Cuft  
 Initial: 1986,180 Cuft

VOLUMES SAMPLED DGM 1st hr 11,191 SCft  
 DGM 1 33,880 SCft  
 DGM 2 33,987 SCft  
 DGM room 29,093 SCft

DGM 1 Final: 27524,190 Cuft  
 Initial: 27487,637 Cuft

DGM 2 Final: 18602,229 Cuft  
 Initial: 18565,503 Cuft

TOTAL TUNNEL VOLUME : 139263

DGM Room Final: 15257,170 Cuft  
 Initial: 15227,591 Cuft

SAMPLE RATIOS  
 Sample Train 1st Hr: 3971,526  
 Sample Train 1: 4110,443  
 Sample Train 2: 4097,509

TEMPERATURES  
 DGM 1st hr 536,007 °R  
 DGM 1 533,674 °R  
 DGM 2 538,948 °R

Particulate concentration  
 Sample Train 1st Hr **0,000063** g/dscf  
 Sample Train 1 **0,000035** g/dscf  
 Sample Train 2 **0,000035** g/dscf  
 Room **0,000003** g/dscf

CALIBRATION FACTORS  
 DGM 1st Hr 0,9985  
 DGM 1 0,9995  
 DGM 2 1,0061  
 DGM Room 1,0030

TOTAL EMISSIONS  
 Sample Train 1st Hr **2,63** g  
 Sample Train 1 **4,45** g  
 Sample Train 2 **4,44** g

TUNNEL FLOW RATE: 740,762 Dscfm

PARTICULATE CATCH  
 Total Sample Train 1: 1,20 mg  
 Total Sample Train 2: 1,20 mg  
 Total Sample Train 1 1st hour: 0,70 mg

EMISSION RATES  
 Sample Train 1st Hr **2,63** g/hr  
 Sample Train 1 **1,42** g/hr  
 Sample Train 2 **1,42** g/hr

TUNNEL FLOW RATE: 740,762 Dscfm

DEVIATION: 0,17%

Cs Train 1 Train 2 Train 1st Hr  
 3,542E-05 3,5307E-05 6,255E-05



121.0	300.0	1.4	0.4	5.7	410.1	71.8	80.6	510.0	265.5	410.7	473.1	315.7	0.00	74.4	73.7	0.18	73.28	73.58	80.98	0.18	76.99	79.31	85.91	0.07	0.37	-0.10	-1.75	-1.75	-86.71543	59.35
122.0	301.0	1.3	0.5	5.1	405.3	71.7	80.7	507.5	261.1	412.6	471.4	316.3	0.00	74.3	73.7	0.18	73.28	73.59	80.77	0.18	76.99	79.31	85.29	0.07	0.36	-0.09	-1.76	-1.75	-86.71099	59.38
123.0	302.0	1.3	0.5	5.3	398.1	71.5	80.0	502.6	267.5	413.8	470.6	316.4	0.00	74.3	73.7	0.18	73.26	73.57	84.71	0.18	76.97	79.32	84.71	0.07	0.36	-0.09	-1.76	-1.76	-87.54963	59.33
124.0	303.0	1.3	0.5	5.2	390.4	71.4	80.4	496.2	268.4	415.9	469.2	317.3	0.00	74.3	73.7	0.18	73.26	73.53	88.43	0.18	76.99	79.33	84.13	0.07	0.35	-0.09	-1.77	-1.77	-88.32985	59.39
125.0	304.0	1.2	0.5	5.1	384.8	71.6	80.5	490.3	270.2	416.5	467.4	317.7	0.00	74.3	73.6	0.18	73.29	73.54	89.25	0.18	77.00	79.30	83.75	0.07	0.35	-0.09	-1.78	-1.78	-89.11091	59.38
126.0	305.0	1.2	0.5	5.1	381.3	71.5	80.4	483.0	271.0	416.5	467.8	318.3	0.00	74.3	73.6	0.18	73.27	73.51	89.07	0.18	76.97	79.27	83.10	0.07	0.35	-0.14	-1.78	-1.78	-90.39114	59.16
127.0	306.0	1.2	0.5	5.0	378.9	71.6	80.4	477.1	270.3	417.9	466.1	317.8	0.00	74.3	73.6	0.18	73.28	73.52	88.52	0.18	77.00	79.23	82.62	0.06	0.35	-0.09	-1.78	-1.78	-91.89311	59.22
128.0	307.0	1.1	0.5	5.0	375.5	71.5	80.3	471.2	271.8	419.4	464.2	318.0	0.00	74.2	73.6	0.18	73.30	73.52	87.88	0.18	77.01	79.21	82.16	0.07	0.34	-0.09	-1.79	-1.79	-92.80123	59.26
129.0	308.0	1.1	0.6	5.0	370.9	71.5	80.1	465.4	272.4	419.9	462.9	319.0	0.00	74.2	73.6	0.18	73.32	73.52	87.20	0.18	76.99	79.15	81.71	0.07	0.34	-0.09	-1.79	-1.79	-93.76504	59.08
130.0	309.0	1.1	0.6	4.9	364.8	71.5	79.8	460.1	272.4	419.9	462.4	319.8	0.00	74.2	73.6	0.18	73.28	73.49	86.56	0.18	76.95	79.16	81.34	0.07	0.34	-0.09	-1.80	-1.80	-94.43471	59.11
131.0	310.0	1.1	0.6	4.9	359.3	71.5	79.8	454.6	272.4	419.9	461.8	319.8	0.00	74.2	73.6	0.18	73.28	73.49	85.82	0.18	76.95	79.16	80.96	0.07	0.34	-0.09	-1.80	-1.80	-95.10438	59.14
132.0	311.0	1.0	0.7	4.9	359.0	71.4	79.6	450.3	273.4	420.3	459.9	320.4	0.00	74.2	73.5	0.18	73.26	73.48	85.31	0.18	76.96	79.18	83.76	0.07	0.33	-0.09	-1.82	-1.82	-96.26257	59.05
133.0	312.0	1.0	0.7	4.9	359.3	71.2	79.9	446.3	278.9	420.6	459.4	320.7	0.00	74.1	73.5	0.18	73.25	73.49	84.72	0.18	76.91	79.17	87.11	0.07	0.33	-0.13	-1.81	-1.83	-96.56155	59.15
134.0	313.0	1.0	0.8	4.8	354.8	71.2	79.8	442.0	280.0	421.5	458.0	320.8	0.00	74.1	73.5	0.18	73.24	73.48	84.12	0.18	76.92	79.17	86.50	0.07	0.33	-0.13	-1.81	-1.83	-96.86053	59.18
135.0	314.0	1.0	0.8	5.0	355.6	71.4	79.8	440.0	281.5	421.0	457.0	321.0	0.00	74.1	73.4	0.18	73.24	73.52	83.66	0.18	76.91	79.17	86.25	0.07	0.33	-0.09	-1.82	-1.85	-97.81555	58.98
136.0	315.0	1.0	0.9	5.0	352.7	71.4	79.9	437.6	284.5	419.2	456.7	322.0	0.00	74.1	73.4	0.18	73.19	73.52	83.20	0.18	76.91	79.16	85.61	0.07	0.33	-0.10	-1.83	-1.86	-97.72389	58.97
137.0	316.0	0.9	0.9	5.0	352.5	71.5	79.9	435.7	285.5	418.1	456.7	321.1	0.00	74.0	73.4	0.18	73.14	73.49	82.70	0.18	76.93	79.22	84.97	0.07	0.33	-0.09	-1.83	-1.85	-98.32158	58.99
138.0	317.0	0.9	0.6	4.7	351.3	71.2	79.8	434.3	288.1	418.0	455.1	320.9	0.00	74.0	73.4	0.18	73.09	73.48	82.29	0.18	76.90	79.20	84.33	0.07	0.33	-0.09	-1.84	-1.86	-98.82919	58.83
139.0	318.0	0.9	0.6	4.4	347.5	71.4	79.4	431.8	286.9	416.2	454.0	321.5	0.00	74.0	73.4	0.18	73.08	73.48	81.86	0.18	76.76	79.17	83.77	0.07	0.32	-0.09	-1.85	-1.87	-99.65009	58.96
140.0	319.0	0.9	0.7	4.2	342.7	71.1	79.6	429.2	286.8	415.9	453.1	322.1	0.00	73.9	73.3	0.18	73.06	73.42	81.47	0.18	76.79	79.12	83.18	0.07	0.32	-0.09	-1.84	-1.86	-100.32211	58.85
141.0	320.0	0.8	0.7	4.2	338.9	71.2	79.3	426.0	284.5	414.7	451.3	323.2	0.00	73.9	73.3	0.18	73.03	73.42	81.12	0.18	76.70	79.14	84.73	0.07	0.32	-0.09	-1.87	-1.01	-101.7903	58.94
142.0	321.0	0.8	0.8	4.2	335.6	71.2	79.5	422.5	284.0	413.1	449.2	323.9	0.00	73.9	73.3	0.18	73.03	73.42	80.77	0.18	76.68	79.11	82.26	0.07	0.31	-0.09	-1.85	-1.87	-101.793	58.90
143.0	322.0	0.8	0.8	4.2	332.9	71.1	79.2	419.2	282.8	411.0	447.3	323.8	0.00	73.9	73.3	0.18	72.99	73.41	80.82	0.18	76.70	79.12	81.82	0.07	0.31	-0.09	-1.85	-1.88	-104.9289	58.75
144.0	323.0	0.7	0.8	4.2	331.0	71.1	79.2	415.8	280.8	409.5	444.9	322.7	0.00	73.9	73.2	0.18	72.98	73.39	85.18	0.18	76.73	79.17	81.37	0.07	0.31	-0.09	-1.86	-1.89	-107.0086	58.79
145.0	324.0	0.7	0.8	4.2	326.9	71.2	79.2	412.7	280.2	407.5	443.6	323.7	0.00	73.9	73.2	0.18	72.96	73.37	85.51	0.18	76.73	79.23	81.00	0.07	0.31	-0.09	-1.87	-1.89	-108.1991	59.35
146.0	325.0	0.7	0.8	4.1	324.6	71.3	80.0	408.8	278.4	405.0	441.6	324.0	0.00	73.8	73.2	0.18	72.94	73.38	89.15	0.18	76.66	79.21	82.48	0.07	0.31	-0.13	-1.87	-1.90	-110.1643	59.21
147.0	326.0	0.7	0.7	4.0	321.3	71.1	79.6	405.3	276.2	403.3	440.5	323.5	0.00	73.7	73.1	0.18	72.91	73.38	88.65	0.18	76.59	79.17	86.76	0.07	0.30	-0.09	-1.87	-1.91	-111.9556	59.18
148.0	327.0	0.7	0.7	4.1	319.1	71.4	79.5	401.3	274.8	402.6	437.1	322.8	0.00	73.7	73.1	0.18	72.94	73.36	88.27	0.18	76.62	79.11	86.75	0.07	0.30	-0.09	-1.87	-1.90	-114.0083	59.12
149.0	328.0	0.7	0.7	4.1	317.1	71.3	79.5	398.3	273.4	400.3	434.1	323.1	0.00	73.7	73.1	0.18	72.94	73.37	87.61	0.18	76.73	79.08	86.17	0.07	0.30	-0.08	-1.87	-1.91	-115.9887	59.04
150.0	329.0	0.6	0.7	4.1	315.1	71.2	79.2	395.2	272.9	398.2	431.6	322.8	0.00	73.6	73.0	0.18	72.93	73.38	86.92	0.18	76.68	79.04	85.50	0.07	0.30	-0.09	-1.88	-1.92	-117.9879	58.92
151.0	330.0	0.6	0.7	4.1	313.3	71.0	78.9	391.9	270.9	396.4	428.9	323.0	0.00	73.6	73.0	0.18	72.92	73.36	86.25	0.18	76.67	79.03	84.87	0.07	0.30	-0.08	-1.88	-1.91	-119.5169	59.00
152.0	331.0	0.6	0.7	4.1	310.6	71.0	79.2	389.3	269.5	394.5	427.1	323.1	0.00	73.6	73.0	0.18	72.91	73.36	85.58	0.18	76.64	79.03	84.27	0.07	0.30	-0.09	-1.88	-1.92	-121.0359	59.04
153.0	332.0	0.6	0.7	4.1	310.1	71.1	79.4	386.8	268.9	391.7	424.9	323.1	0.00	73.5	73.0	0.18	72.91	73.36	84.95	0.18	76.64	79.00	83.66	0.07	0.29	-0.09	-1.89	-1.92	-122.6337	59.20
154.0	333.0	0.6	0.7	4.1	307.7	71.1	79.6	384.1	267.6	389.8	422.7	322.1	0.00	73.5	73.0	0.18	72.93	73.32	84.35	0.18	76.67	78.95	83.09	0.07	0.29	-0.09	-1.89	-1.92	-124.4718	59.32
155.0	334.0	0.5	0.7	4.0	307.0	71.0	79.5	381.8	265.9	387.8	419.8	322.3	0.00	73.5	73.0	0.18	72.94	73.29	83.76	0.18	76.68	78.92	82.59	0.07	0.29	-0.09	-1.89	-1.93	-126.2004	59.33
156.0	335.0	0.5	0.7	4.0	305.2	70.9	79.6	379.8	264.8	386.3	417.7	321.6	0.00	73.5	73.0	0.18	72.93	73.27	83.23	0.18	76.66	78.90	82.10	0.07	0.29	-0.09	-1.88	-1.93	-127.6942	59.40
157.0	336.0	0.5	0.7	4.0	303.3	70.9	79.7	378.4	264.1	385.5	415.3	321.0	0.00	73.5	73.0	0.18	72.89	73.27	82.72	0.18	76.58	78.87	81.62	0.07	0.29	-0.09	-1.89	-1.93	-128.8848	59.34
158.0	337.0	0.5	0.7	3.9	302.8	71.1	79.7	376.6	263.9	383.2	413.2	320.4	0.00	73.5	72.9	0.18	72.90	73.26	82.24	0.18	76.61	78.85	81.17	0.07	0.29	-0.09	-1.90	-1.93	-130.6517	59.44
159.0	338.0	0.5	0.7	3.9	302.2	71.1	79.9	374.6	260.4	381.3	411.0	319.9	0.00	73.5	73.0	0.18	72.87	73.23	81.77	0.18	76.59	78.86	80.99	0.07	0.29	-0.09	-1.90	-1.94	-132.291	59.53
160.0	339.0	0.5	0.7	3.9	302.1	70.9	80.0	373.1	259.3	380.6	410.6	318.9	0.00	73.5	72.9	0.18	72.85	73.21	81.34	0.18	76.54	78.85	80.69	0.07	0.29	-0.09	-1.90	-1.95	-133.2472	59.66
161.0	340.0	0.4	0.7	3.9	301.0	71.1	80.4	371.7	257.7	378.9	408.1	318.6	0.00	73.5	72.9	0.18	72.86	73.21	80.91	0.18	76.55	78.83	80.67	0.07	0.29	-0.09	-1.90	-1.94	-134.7224	

Manufacturer: US STOVE  
 Model: US 1100E

Run: 2  
 Project #: PI 20283  
 Test Duration: 91 min

Note: In the "Input data", "Calc. % O<sub>2</sub>", "Fuel Properties", and "Mass Balance" columns, [e], [d], [g], [a], [b], [c], [h], [u], [w], [j], and [k] refer to their respective variables in Clauses 13.7.3 to 13.7.5.

Overall Heating Efficiency: 61,65%  
 Combustion Efficiency: 98,16%  
 Heat Transfer Efficiency: 62,81%

	HHV	LHV
Eff	61,65%	66,34%
Comb Eff	98,16%	98,16%
HT Eff	62,81%	67,58%
Output	37 253	kJ/h
Burn Rate		kg/h
Grams CO	150	g
Input	60 422	kJ/h
MC wet	17,25	

Ultimate CO<sub>2</sub>  
 CO<sub>2-ult</sub> 19,86  
 F<sub>0</sub>  
 1,049

Heat Output:	35 338 Btu/h
Heat Input:	57 317 Btu/h
Burn Duration:	1,52 h
Burn Rate:	lb/h
Stack Temp:	584,4 Deg. F

Averages		0,23	7,14	2,12	20,54	13,28	306,35	21,98	97,4%	60,3%	59,2%
INPUT DATA			Oxygen Calculation			Input Data			Combust	Heat	Net
Elapsed Time	Weight Remaining (kg)	% CO [e]	% CO <sub>2</sub> [d]	Excess Air EA	Total O <sub>2</sub>	Calc. % O <sub>2</sub> [g]	Flue Gas (°C)	Room Temp (°C)	Eff %	Transfer %	Eff %
0,00	5,48	0,17	2,60	615,9%	20,79	18,10	255,6	21,4	96,6%	34,8%	33,6%
1,00	5,43	0,45	1,08	1203,3%	20,86	19,56	272,0	21,3	79,6%	-36,7%	-29,2%
2,00	5,35	0,50	1,04	1186,6%	20,86	19,56	267,1	21,3	76,9%	-36,6%	-28,2%
3,00	5,37	0,31	2,64	573,5%	20,78	17,99	208,7	21,3	92,9%	46,9%	43,6%
4,00	6,24	0,30	2,08	737,0%	20,81	18,59	181,7	21,3	91,8%	44,1%	40,5%
5,00	5,60	0,12	3,87	398,6%	20,72	16,80	175,6	21,2	98,8%	65,1%	64,3%
6,00	5,21	0,16	2,17	752,5%	20,81	18,56	210,8	21,2	96,7%	37,4%	36,1%
7,00	5,16	0,37	5,41	243,6%	20,63	15,03	255,5	21,1	95,5%	62,0%	59,2%
8,00	5,07	0,30	7,12	167,9%	20,54	13,27	302,6	21,3	97,2%	63,5%	61,7%
9,00	4,98	0,12	9,87	98,7%	20,40	10,46	323,6	21,4	99,3%	68,6%	68,1%
10,00	4,93	0,13	7,93	146,4%	20,50	12,51	312,2	21,5	99,1%	65,1%	64,5%
11,00	4,87	0,14	6,72	189,4%	20,57	13,77	302,2	21,6	98,9%	62,2%	61,5%
12,00	4,80	0,19	6,26	207,9%	20,59	14,23	296,8	21,6	98,1%	61,0%	59,8%
13,00	4,75	0,21	6,18	211,0%	20,59	14,31	293,6	21,7	97,9%	61,0%	59,7%
14,00	4,71	0,24	5,97	219,9%	20,60	14,51	287,9	21,7	97,4%	60,8%	59,2%
15,00	4,63	0,28	5,73	230,3%	20,61	14,74	282,4	21,7	96,7%	60,3%	58,3%
16,00	4,57	0,34	5,80	223,5%	20,61	14,63	278,9	21,4	96,1%	61,0%	58,7%
17,00	4,53	0,34	5,18	260,1%	20,64	15,29	272,3	21,6	95,7%	58,8%	56,3%
18,00	4,48	0,35	4,90	277,9%	20,66	15,57	269,8	21,5	95,3%	57,5%	54,8%
19,00	4,44	0,36	5,28	252,2%	20,63	15,17	269,9	21,7	95,5%	59,6%	56,9%
20,00	4,39	0,29	5,33	252,9%	20,63	15,15	272,9	21,6	96,4%	59,5%	57,3%
21,00	4,34	0,27	5,63	236,4%	20,62	14,85	275,9	21,6	96,9%	60,6%	58,7%
22,00	4,26	0,25	5,96	219,8%	20,60	14,52	284,5	21,6	97,3%	61,1%	59,5%
23,00	4,21	0,23	6,54	193,7%	20,57	13,92	293,2	21,5	97,8%	62,5%	61,1%
24,00	4,16	0,22	6,98	176,2%	20,55	13,47	303,1	21,7	98,0%	63,1%	61,8%
25,00	4,07	0,21	7,58	155,2%	20,52	12,84	312,3	21,7	98,3%	64,1%	63,0%
26,00	3,98	0,18	7,92	145,1%	20,50	12,49	318,3	21,7	98,6%	64,6%	63,7%
27,00	3,90	0,20	8,15	137,8%	20,49	12,23	325,2	21,8	98,4%	64,6%	63,6%
28,00	3,85	0,19	8,47	129,5%	20,47	11,91	329,6	21,9	98,5%	65,1%	64,1%
29,00	3,76	0,18	8,56	127,1%	20,47	11,81	334,4	22,0	98,6%	64,9%	64,0%
30,00	3,71	0,17	8,85	120,5%	20,45	11,52	336,7	22,0	98,8%	65,4%	64,7%
31,00	3,64	0,13	8,58	128,2%	20,47	11,83	334,5	22,1	99,2%	65,0%	64,4%
32,00	3,57	0,11	8,19	139,4%	20,49	12,25	333,2	22,1	99,3%	64,0%	63,6%
33,00	3,48	0,11	8,17	139,9%	20,49	12,26	336,8	22,1	99,3%	63,7%	63,2%
34,00	3,44	0,12	8,48	131,1%	20,47	11,94	337,9	22,1	99,2%	64,4%	63,9%
35,00	3,35	0,12	8,04	143,3%	20,50	12,39	331,3	22,2	99,2%	63,8%	63,3%
36,00	3,30	0,12	7,37	165,2%	20,53	13,11	323,1	22,2	99,1%	62,5%	61,9%
37,00	3,25	0,13	6,89	182,8%	20,56	13,60	315,9	21,9	99,0%	61,5%	60,9%
38,00	3,17	0,14	6,55	196,9%	20,58	13,96	308,9	22,2	98,8%	60,9%	60,2%
39,00	3,12	0,14	6,37	204,8%	20,59	14,14	305,2	22,1	98,8%	60,6%	59,8%

40,00	3,07	0,16	6,22	211,4%	20,59	14,29	299,7	21,8	98,6%	60,5%	59,7%
41,00	3,03	0,18	6,03	219,9%	20,60	14,48	295,7	22,1	98,2%	60,2%	59,1%
42,00	2,98	0,16	5,88	228,7%	20,61	14,65	291,5	22,1	98,4%	60,0%	59,0%
43,00	2,94	0,18	5,63	241,5%	20,62	14,90	286,2	22,1	98,1%	59,4%	58,3%
44,00	2,89	0,21	5,59	242,5%	20,63	14,93	282,4	22,0	97,7%	59,6%	58,3%
45,00	2,85	0,27	5,35	253,7%	20,64	15,15	271,8	22,1	96,8%	59,8%	57,8%
46,00	2,80	0,39	4,99	269,1%	20,65	15,46	262,1	22,0	94,7%	59,1%	56,0%
47,00	2,76	0,42	4,81	280,1%	20,66	15,64	255,0	22,0	94,2%	59,0%	55,6%
48,00	2,71	0,48	4,69	284,3%	20,66	15,73	250,3	21,9	93,2%	59,0%	55,0%
49,00	2,67	0,50	4,66	285,0%	20,66	15,75	249,0	22,0	92,8%	59,0%	54,8%
50,00	2,62	0,30	6,81	179,3%	20,55	13,59	281,0	22,0	97,0%	64,7%	62,8%
51,00	2,58	0,17	7,43	161,5%	20,53	13,02	286,1	21,9	98,6%	66,1%	65,2%
52,00	2,48	0,27	7,10	169,3%	20,54	13,30	280,3	22,0	97,4%	65,7%	64,1%
53,00	2,44	0,44	6,76	176,0%	20,55	13,57	274,5	21,8	95,5%	65,2%	62,3%
54,00	2,38	0,46	6,83	172,4%	20,54	13,49	274,9	22,0	95,2%	65,4%	62,3%
55,00	2,30	0,47	7,07	163,3%	20,53	13,22	284,8	22,0	95,3%	65,2%	62,1%
56,00	2,26	0,47	8,10	131,6%	20,48	12,14	299,7	22,0	95,8%	66,7%	63,9%
57,00	2,17	0,36	8,45	125,4%	20,46	11,83	308,4	21,9	97,0%	66,8%	64,8%
58,00	2,08	0,24	8,73	121,4%	20,45	11,60	314,7	22,0	98,1%	67,0%	65,7%
59,00	2,03	0,19	8,93	118,0%	20,45	11,43	321,9	22,2	98,7%	66,8%	65,9%
60,00	1,94	0,16	9,11	114,2%	20,44	11,25	327,5	22,1	98,9%	66,8%	66,0%
61,00	1,89	0,16	9,27	110,5%	20,43	11,07	332,5	22,1	98,9%	66,8%	66,0%
62,00	1,80	0,17	9,42	107,1%	20,42	10,92	338,3	22,2	98,8%	66,6%	65,8%
63,00	1,71	0,19	9,60	102,9%	20,41	10,71	343,3	22,3	98,7%	66,6%	65,8%
64,00	1,62	0,20	9,73	100,0%	20,40	10,57	349,0	22,3	98,6%	66,5%	65,6%
65,00	1,53	0,22	9,84	97,5%	20,39	10,45	351,9	22,1	98,5%	66,5%	65,4%
66,00	1,49	0,22	9,75	99,2%	20,40	10,54	351,8	22,4	98,4%	66,3%	65,3%
67,00	1,40	0,20	9,52	104,3%	20,41	10,79	350,0	22,4	98,6%	66,0%	65,0%
68,00	1,35	0,20	9,35	108,0%	20,42	10,97	349,7	22,3	98,6%	65,6%	64,7%
69,00	1,26	0,21	9,34	108,1%	20,42	10,98	351,2	22,5	98,5%	65,5%	64,5%
70,00	1,21	0,22	9,42	106,1%	20,42	10,89	356,8	22,5	98,4%	65,2%	64,2%
71,00	1,12	0,21	9,60	102,5%	20,41	10,70	361,9	22,4	98,6%	65,2%	64,3%
72,00	1,04	0,22	9,27	109,3%	20,43	11,04	356,4	22,4	98,4%	64,9%	63,9%
73,00	0,99	0,20	8,80	120,8%	20,45	11,56	350,7	22,5	98,5%	64,2%	63,3%
74,00	0,94	0,16	8,45	130,6%	20,47	11,94	344,4	22,5	98,8%	63,8%	63,1%
75,00	0,85	0,15	8,18	138,4%	20,49	12,23	339,7	22,5	98,9%	63,5%	62,8%
76,00	0,81	0,15	8,11	140,3%	20,49	12,30	335,8	22,4	98,9%	63,6%	62,9%
77,00	0,76	0,15	8,05	142,2%	20,50	12,37	332,6	22,5	98,9%	63,7%	63,0%
78,00	0,71	0,16	8,00	143,6%	20,50	12,42	332,2	22,4	98,8%	63,6%	62,9%
79,00	0,64	0,16	8,11	140,2%	20,49	12,30	332,1	22,5	98,8%	63,9%	63,2%
80,00	0,58	0,16	8,24	136,5%	20,48	12,16	334,2	22,4	98,9%	64,1%	63,4%
81,00	0,53	0,15	8,42	131,8%	20,48	11,98	336,4	22,5	99,0%	64,4%	63,8%
82,00	0,46	0,14	8,51	129,8%	20,47	11,90	337,2	22,2	99,1%	64,6%	63,9%
83,00	0,44	0,14	8,54	128,9%	20,47	11,86	336,8	22,4	99,1%	64,7%	64,1%
84,00	0,35	0,14	8,59	127,5%	20,47	11,81	339,7	22,3	99,0%	64,6%	63,9%
85,00	0,31	0,14	8,60	127,2%	20,47	11,79	339,9	22,2	99,1%	64,6%	64,0%
86,00	0,26	0,13	8,59	127,7%	20,47	11,81	338,0	22,3	99,1%	64,7%	64,1%
87,00	0,21	0,13	8,49	130,3%	20,47	11,91	338,1	22,4	99,1%	64,5%	63,9%
88,00	0,17	0,13	8,54	129,0%	20,47	11,86	338,0	22,5	99,1%	64,6%	64,0%
89,00	0,08	0,14	8,46	131,1%	20,47	11,95	330,7	22,3	99,1%	65,0%	64,4%
90,00	0,03	0,15	7,77	150,8%	20,51	12,67	319,2	22,4	98,9%	64,1%	63,4%
91,00	0,03	0,29	7,02	171,6%	20,54	13,38	305,8	22,5	97,1%	63,0%	61,2%

Manufacturer: US STOVE  
 Model: US 1100E

Run: 2  
 Project #: PI 20283  
 Test Duration: 188 min

Note: In the "Input data", "Calc. % O<sub>2</sub>", "Fuel Properties", and "Mass Balance" columns, [e], [d], [g], [a], [b], [c], [h], [u], [w], [j], and [k] refer to their respective variables in Clauses 13.7.3 to 13.7.5.

Overall Heating Efficiency: 65,63%  
 Combustion Efficiency: 97,29%  
 Heat Transfer Efficiency: 67,45%

	HHV	LHV
Eff	65,63%	70,61%
Comb Eff	97,29%	97,29%
HT Eff	67,45%	72,58%
Output	25 795	kJ/h
Burn Rate	1,95	kg/h
Grams CO	260	g
Input	39 305	kJ/h
MC wet	16,45	

Ultimate CO<sub>2</sub>  
 CO<sub>2-ult</sub> 19,86  
 F<sub>0</sub>  
 1,049

Heat Output:	24 469 Btu/h
Heat Input:	37 285 Btu/h
Burn Duration:	3,13 h
Burn Rate:	4,29 lb/h
Stack Temp:	485,3 Deg. F

Averages		0,41	7,02	2,14	20,54	13,32	251,61	22,17	0,95	0,68	#DIV/0!
INPUT DATA			Oxygen Calculation			Input Data			Combust	Heat	Net
Elapsed Time	Weight Remaining (kg)	% CO [e]	% CO <sub>2</sub> [d]	Excess Air EA	Total O <sub>2</sub>	Calc. % O <sub>2</sub> [g]	Flue Gas (°C)	Room Temp (°C)	Eff %	Transfer %	Eff %
0,00	7,30	0,16	2,35	693,0%	20,80	18,38	204,2	22,4	96,8%	43,2%	41,8%
1,00	7,21	0,56	4,93	261,5%	20,64	15,43	263,2	22,3	92,3%	58,9%	54,4%
2,00	7,16	0,65	6,43	180,6%	20,56	13,80	296,5	22,3	92,9%	62,0%	57,6%
3,00	7,02	0,58	8,42	120,9%	20,45	11,75	360,1	22,2	95,0%	62,6%	59,4%
4,00	6,93	0,18	12,12	61,5%	20,27	8,06	408,7	22,3	98,9%	66,9%	66,1%
5,00	6,80	0,12	13,03	51,1%	20,23	7,14	426,9	22,4	99,4%	67,1%	66,8%
6,00	6,66	0,08	12,95	52,4%	20,23	7,24	444,3	22,3	99,6%	66,0%	65,7%
7,00	6,52	0,06	13,64	45,0%	20,20	6,52	469,5	22,4	99,8%	65,5%	65,3%
8,00	6,43	0,04	14,90	33,0%	20,13	5,21	467,3	22,6	99,9%	67,3%	67,2%
9,00	6,30	0,09	13,76	43,5%	20,19	6,39	432,3	22,8	99,6%	67,9%	67,6%
10,00	6,21	0,10	12,81	53,8%	20,24	7,37	419,7	22,7	99,5%	67,3%	66,9%
11,00	6,12	0,10	12,62	56,1%	20,25	7,58	413,6	22,7	99,5%	67,4%	67,0%
12,00	5,98	0,09	12,63	56,0%	20,25	7,57	410,0	22,5	99,5%	67,6%	67,3%
13,00	5,89	0,09	12,72	55,1%	20,25	7,48	410,9	22,6	99,6%	67,7%	67,4%
14,00	5,80	0,10	13,01	51,5%	20,23	7,17	414,3	22,4	99,5%	67,9%	67,5%
15,00	5,71	0,10	13,15	49,9%	20,22	7,02	417,9	22,5	99,5%	67,9%	67,5%
16,00	5,61	0,11	13,36	47,4%	20,21	6,79	422,9	22,7	99,5%	67,9%	67,5%
17,00	5,48	0,10	13,61	44,9%	20,20	6,54	425,8	22,6	99,5%	68,0%	67,7%
18,00	5,39	0,10	13,61	44,9%	20,20	6,54	427,6	22,7	99,5%	67,9%	67,6%
19,00	5,25	0,10	13,71	43,9%	20,19	6,44	428,8	22,8	99,5%	68,0%	67,7%
20,00	5,16	0,10	13,66	44,4%	20,19	6,49	429,7	22,7	99,5%	67,9%	67,6%
21,00	5,07	0,10	13,61	44,9%	20,20	6,54	421,4	22,5	99,5%	68,3%	68,0%
22,00	4,98	0,14	12,80	53,5%	20,24	7,37	403,9	22,7	99,3%	68,2%	67,7%
23,00	4,89	0,08	11,34	73,8%	20,32	8,94	387,2	22,5	99,6%	67,0%	66,7%
24,00	4,80	0,06	10,12	95,1%	20,39	10,24	370,6	22,8	99,8%	65,9%	65,8%
25,00	4,75	0,05	9,06	118,0%	20,45	11,36	356,0	22,6	99,9%	64,6%	64,5%
26,00	4,69	0,06	8,48	132,4%	20,48	11,96	344,5	22,7	99,8%	64,1%	64,0%
27,00	4,62	0,08	7,94	147,5%	20,50	12,52	334,0	22,5	99,6%	63,5%	63,2%
28,00	4,57	0,09	7,73	153,9%	20,52	12,74	325,9	22,6	99,5%	63,6%	63,2%
29,00	4,53	0,10	7,81	151,1%	20,51	12,65	320,9	22,7	99,4%	64,3%	63,9%
30,00	4,44	0,11	7,96	146,2%	20,50	12,49	319,9	22,7	99,3%	64,8%	64,4%
31,00	4,39	0,10	8,22	138,6%	20,49	12,22	319,8	22,6	99,4%	65,5%	65,1%
32,00	4,35	0,11	8,51	130,6%	20,47	11,91	320,6	22,6	99,4%	66,2%	65,7%
33,00	4,25	0,12	8,95	118,9%	20,45	11,43	328,3	22,7	99,3%	66,6%	66,1%
34,00	4,21	0,14	9,88	98,2%	20,40	10,44	339,2	22,6	99,1%	67,7%	67,1%
35,00	4,12	0,16	10,69	83,1%	20,35	9,58	350,4	22,5	99,0%	68,4%	67,7%
36,00	4,03	0,18	11,35	72,2%	20,31	8,87	361,9	22,4	98,9%	68,7%	67,9%
37,00	3,94	0,19	11,87	64,7%	20,29	8,32	371,1	22,4	98,9%	68,9%	68,1%
38,00	3,89	0,18	12,22	60,1%	20,27	7,95	376,9	22,5	98,9%	69,1%	68,3%
39,00	3,80	0,20	12,37	58,0%	20,26	7,79	382,2	22,6	98,9%	68,9%	68,2%



40,00	3,71	0,21	12,52	56,0%	20,25	7,62	387,9	22,7	98,8%	68,8%	68,0%
41,00	3,62	0,22	12,68	53,9%	20,24	7,44	390,8	22,6	98,7%	68,8%	68,0%
42,00	3,57	0,25	12,73	53,0%	20,24	7,38	392,3	22,7	98,5%	68,8%	67,8%
43,00	3,48	0,26	12,90	51,0%	20,23	7,20	395,2	22,6	98,5%	68,9%	67,8%
44,00	3,39	0,29	12,88	50,8%	20,23	7,20	392,3	22,9	98,3%	69,0%	67,9%
45,00	3,30	0,26	12,26	58,7%	20,26	7,87	386,4	23,1	98,4%	68,5%	67,5%
46,00	3,21	0,19	11,91	64,1%	20,28	8,28	381,1	22,8	98,9%	68,3%	67,6%
47,00	3,16	0,15	11,58	69,3%	20,30	8,65	374,1	22,8	99,1%	68,3%	67,7%
48,00	3,07	0,14	10,83	81,1%	20,35	9,45	364,6	22,8	99,2%	67,7%	67,1%
49,00	3,03	0,11	10,34	89,9%	20,37	9,97	360,5	22,7	99,4%	67,1%	66,6%
50,00	2,97	0,10	10,33	90,4%	20,37	10,00	358,3	22,7	99,4%	67,2%	66,8%
51,00	2,89	0,12	10,39	89,0%	20,37	9,92	356,5	22,6	99,3%	67,4%	67,0%
52,00	2,85	0,13	10,31	90,2%	20,37	10,00	352,0	22,8	99,2%	67,6%	67,1%
53,00	2,80	0,15	10,24	91,1%	20,38	10,06	349,3	22,7	99,1%	67,7%	67,1%
54,00	2,71	0,16	10,03	94,8%	20,39	10,27	344,5	22,6	98,9%	67,6%	66,9%
55,00	2,67	0,16	9,83	98,8%	20,40	10,49	339,9	22,6	99,0%	67,6%	66,9%
56,00	2,62	0,16	9,72	101,0%	20,40	10,61	334,8	22,7	98,9%	67,7%	67,0%
57,00	2,57	0,16	9,55	104,5%	20,41	10,78	329,9	22,8	98,9%	67,8%	67,1%
58,00	2,49	0,15	9,29	110,5%	20,43	11,07	324,4	22,5	99,0%	67,6%	66,9%
59,00	2,44	0,15	8,99	117,3%	20,44	11,38	317,6	22,8	99,0%	67,6%	66,9%
60,00	2,39	0,11	8,00	144,7%	20,50	12,44	305,6	22,8	99,3%	66,2%	65,7%
61,00	2,39	0,11	7,27	169,5%	20,54	13,22	295,5	22,6	99,3%	65,0%	64,5%
62,00	2,35	0,15	6,91	181,2%	20,56	13,57	286,5	22,6	98,8%	64,8%	64,0%
63,00	2,30	0,21	6,71	187,0%	20,56	13,75	279,4	22,4	98,0%	64,8%	63,5%
64,00	2,26	0,30	6,60	187,8%	20,57	13,82	273,4	22,6	96,9%	65,0%	63,0%
65,00	2,26	0,33	6,62	186,1%	20,56	13,78	268,9	22,6	96,6%	65,6%	63,4%
66,00	2,18	0,38	6,55	186,7%	20,56	13,83	264,9	22,6	96,0%	65,8%	63,1%
67,00	2,17	0,40	6,45	190,1%	20,57	13,92	259,2	22,3	95,7%	66,0%	63,2%
68,00	2,12	0,42	6,37	192,9%	20,57	14,00	256,3	22,5	95,5%	66,0%	63,0%
69,00	2,10	0,43	6,35	193,2%	20,57	14,01	253,2	22,4	95,3%	66,3%	63,2%
70,00	2,08	0,45	6,31	193,7%	20,57	14,04	249,5	22,3	95,0%	66,6%	63,3%
71,00	2,03	0,50	6,23	195,4%	20,58	14,10	243,6	22,5	94,5%	66,9%	63,2%
72,00	2,03	0,55	6,16	195,8%	20,58	14,14	243,2	22,4	93,8%	66,7%	62,6%
73,00	1,98	0,42	6,25	197,9%	20,58	14,12	238,3	22,2	95,4%	67,5%	64,4%
74,00	1,94	0,48	6,16	199,0%	20,58	14,18	234,9	22,3	94,6%	67,6%	64,0%
75,00	1,89	0,49	6,31	191,9%	20,57	14,01	233,6	22,1	94,6%	68,2%	64,5%
76,00	1,89	0,52	6,36	188,7%	20,57	13,95	231,9	22,1	94,3%	68,5%	64,6%
77,00	1,85	0,54	6,46	183,9%	20,56	13,83	231,1	22,1	94,2%	68,9%	64,9%
78,00	1,80	0,55	6,45	183,8%	20,56	13,84	230,5	22,3	94,0%	69,0%	64,8%
79,00	1,76	0,56	6,45	183,3%	20,56	13,83	230,4	22,3	93,9%	69,0%	64,8%
80,00	1,76	0,58	6,51	180,2%	20,56	13,75	229,2	22,4	93,8%	69,3%	65,0%
81,00	1,71	0,58	6,64	175,0%	20,55	13,62	229,0	22,4	93,8%	69,7%	65,3%
82,00	1,67	0,60	6,72	171,1%	20,54	13,52	231,9	22,2	93,7%	69,6%	65,2%
83,00	1,62	0,59	6,94	163,8%	20,53	13,30	237,7	22,1	94,0%	69,6%	65,4%
84,00	1,58	0,55	7,22	155,9%	20,52	13,03	243,6	22,4	94,6%	69,7%	66,0%
85,00	1,56	0,50	7,31	154,0%	20,52	12,95	247,5	22,2	95,1%	69,6%	66,2%
86,00	1,53	0,48	7,39	152,3%	20,51	12,88	251,8	22,4	95,4%	69,4%	66,2%
87,00	1,49	0,45	7,48	150,7%	20,51	12,81	254,3	22,3	95,8%	69,4%	66,5%
88,00	1,44	0,44	7,43	152,6%	20,51	12,87	254,6	22,2	95,8%	69,2%	66,4%
89,00	1,44	0,44	7,29	157,0%	20,52	13,01	253,8	22,1	95,7%	69,0%	66,0%
90,00	1,39	0,44	7,19	160,5%	20,53	13,12	252,8	22,0	95,7%	68,8%	65,8%
91,00	1,35	0,43	7,09	164,2%	20,53	13,23	251,2	22,1	95,7%	68,7%	65,7%
92,00	1,35	0,41	7,07	165,6%	20,53	13,26	250,8	22,2	95,9%	68,7%	65,9%
93,00	1,26	0,34	7,07	168,2%	20,54	13,30	250,5	22,2	96,7%	68,7%	66,4%
94,00	1,26	0,33	6,97	172,0%	20,54	13,41	250,4	22,3	96,7%	68,5%	66,2%
95,00	1,21	0,30	6,92	175,2%	20,55	13,48	248,7	22,2	97,0%	68,5%	66,4%
96,00	1,21	0,29	6,84	178,6%	20,55	13,57	249,7	22,3	97,1%	68,2%	66,2%
97,00	1,17	0,28	6,78	181,3%	20,56	13,64	247,4	22,3	97,2%	68,2%	66,3%
98,00	1,12	0,29	6,58	189,1%	20,57	13,84	241,0	22,2	97,0%	68,3%	66,3%
99,00	1,12	0,41	6,05	207,4%	20,59	14,33	229,4	22,2	95,4%	67,9%	64,7%
100,00	1,08	0,50	5,76	217,5%	20,60	14,59	222,6	22,2	94,1%	67,6%	63,6%

101,00	1,03	0,50	5,69	220,5%	20,60	14,66	220,3	22,1	93,9%	67,6%	63,5%
102,00	1,03	0,47	5,76	218,7%	20,60	14,61	219,0	22,0	94,4%	68,0%	64,2%
103,00	1,03	0,45	5,79	217,9%	20,60	14,58	217,1	22,0	94,6%	68,3%	64,7%
104,00	0,99	0,48	5,81	215,9%	20,60	14,55	215,9	22,2	94,3%	68,6%	64,7%
105,00	0,99	0,48	5,84	214,3%	20,60	14,51	215,6	22,0	94,4%	68,7%	64,8%
106,00	0,94	0,47	5,93	210,7%	20,59	14,43	216,6	22,0	94,6%	68,8%	65,1%
107,00	0,94	0,44	5,94	211,2%	20,59	14,43	217,0	22,2	94,9%	68,9%	65,3%
108,00	0,90	0,44	5,93	212,1%	20,59	14,45	216,0	21,9	94,9%	68,9%	65,4%
109,00	0,87	0,43	5,99	209,1%	20,59	14,38	217,1	22,0	95,0%	69,0%	65,5%
110,00	0,85	0,43	6,04	206,7%	20,59	14,33	217,2	21,9	95,1%	69,1%	65,7%
111,00	0,80	0,44	6,06	206,0%	20,59	14,31	217,2	21,9	95,0%	69,2%	65,7%
112,00	0,80	0,45	6,12	202,1%	20,58	14,24	217,6	21,9	94,9%	69,3%	65,8%
113,00	0,80	0,42	6,07	205,9%	20,59	14,31	216,5	21,9	95,2%	69,3%	66,0%
114,00	0,76	0,42	6,05	206,6%	20,59	14,32	216,4	22,0	95,2%	69,3%	65,9%
115,00	0,71	0,45	6,07	204,7%	20,59	14,29	216,6	22,0	94,9%	69,3%	65,8%
116,00	0,71	0,45	6,06	205,3%	20,59	14,31	215,3	22,0	94,9%	69,4%	65,8%
117,00	0,67	0,48	6,07	203,4%	20,59	14,28	215,8	22,1	94,6%	69,4%	65,6%
118,00	0,67	0,46	6,06	204,8%	20,59	14,30	216,1	22,1	94,7%	69,3%	65,7%
119,00	0,65	0,45	5,97	209,3%	20,59	14,39	214,1	22,0	94,8%	69,3%	65,7%
120,00	0,62	0,46	5,86	214,4%	20,60	14,51	212,6	22,1	94,6%	69,1%	65,3%
121,00	0,62	0,45	5,69	223,6%	20,61	14,69	210,1	22,1	94,6%	68,8%	65,1%
122,00	0,58	0,46	5,43	237,3%	20,62	14,96	207,4	22,1	94,3%	68,2%	64,3%
123,00	0,58	0,48	5,25	246,7%	20,63	15,14	203,4	21,9	93,8%	68,0%	63,8%
124,00	0,58	0,49	5,15	252,0%	20,63	15,24	199,1	21,9	93,5%	68,2%	63,8%
125,00	0,53	0,50	5,09	255,8%	20,64	15,30	196,0	22,0	93,4%	68,3%	63,8%
126,00	0,53	0,51	5,05	256,8%	20,64	15,33	194,1	21,9	93,1%	68,4%	63,7%
127,00	0,53	0,51	5,04	257,9%	20,64	15,35	192,7	22,0	93,1%	68,5%	63,8%
128,00	0,53	0,54	4,99	259,4%	20,64	15,38	190,8	22,0	92,7%	68,6%	63,6%
129,00	0,49	0,57	4,96	259,6%	20,64	15,40	188,3	22,0	92,3%	68,8%	63,5%
130,00	0,49	0,60	4,92	259,7%	20,64	15,42	184,9	21,9	91,8%	69,1%	63,4%
131,00	0,49	0,65	4,96	254,0%	20,64	15,35	183,4	21,9	91,1%	69,4%	63,2%
132,00	0,44	0,70	4,94	252,2%	20,63	15,34	181,7	21,9	90,5%	69,6%	62,9%
133,00	0,44	0,73	4,94	250,6%	20,63	15,33	181,8	21,8	90,1%	69,5%	62,7%
134,00	0,44	0,78	5,04	241,1%	20,62	15,19	180,3	22,0	89,6%	70,1%	62,8%
135,00	0,44	0,83	5,02	239,4%	20,62	15,19	179,8	21,9	89,0%	70,1%	62,4%
136,00	0,44	0,86	5,02	237,9%	20,62	15,17	178,1	21,9	88,7%	70,3%	62,3%
137,00	0,40	0,88	5,02	236,8%	20,62	15,16	178,1	21,9	88,4%	70,3%	62,2%
138,00	0,40	0,60	4,68	276,3%	20,65	15,68	177,4	21,8	91,4%	69,1%	63,1%
139,00	0,40	0,59	4,38	299,2%	20,67	15,99	175,3	21,9	91,0%	68,1%	62,0%
140,00	0,40	0,67	4,26	303,1%	20,67	16,08	172,6	21,7	89,7%	67,9%	60,9%
141,00	0,35	0,73	4,22	301,5%	20,67	16,09	170,5	21,8	88,7%	68,1%	60,4%
142,00	0,35	0,77	4,21	298,4%	20,67	16,07	168,6	21,8	88,1%	68,3%	60,2%
143,00	0,35	0,78	4,21	298,0%	20,67	16,07	167,2	21,7	87,9%	68,5%	60,2%
144,00	0,30	0,80	4,22	295,6%	20,67	16,05	166,1	21,7	87,8%	68,7%	60,3%
145,00	0,30	0,79	4,17	300,2%	20,67	16,10	163,8	21,8	87,7%	68,8%	60,4%
146,00	0,30	0,78	4,05	311,2%	20,68	16,24	162,5	21,9	87,7%	68,5%	60,1%
147,00	0,30	0,75	4,02	316,4%	20,68	16,28	160,7	21,7	88,0%	68,6%	60,4%
148,00	0,30	0,75	4,07	311,8%	20,68	16,23	159,5	21,9	88,1%	69,0%	60,8%
149,00	0,30	0,75	4,08	311,2%	20,68	16,22	158,4	21,8	88,1%	69,2%	61,0%
150,00	0,26	0,74	4,07	312,6%	20,68	16,24	157,3	21,8	88,3%	69,4%	61,2%
151,00	0,26	0,72	4,05	316,7%	20,68	16,27	156,3	21,7	88,6%	69,4%	61,5%
152,00	0,26	0,72	4,07	314,9%	20,68	16,25	154,8	21,7	88,6%	69,7%	61,8%
153,00	0,26	0,73	4,10	311,6%	20,68	16,22	154,5	21,7	88,5%	69,9%	61,8%
154,00	0,25	0,74	4,07	313,1%	20,68	16,24	153,2	21,7	88,2%	69,9%	61,7%
155,00	0,21	0,74	3,99	320,0%	20,68	16,32	152,8	21,7	88,1%	69,7%	61,4%
156,00	0,21	0,74	4,01	318,3%	20,68	16,30	151,8	21,6	88,1%	69,9%	61,6%
157,00	0,21	0,72	3,98	323,1%	20,69	16,35	150,7	21,6	88,4%	69,9%	61,8%
158,00	0,21	0,67	3,87	338,0%	20,69	16,49	150,4	21,7	88,9%	69,5%	61,7%
159,00	0,21	0,65	3,85	340,9%	20,70	16,52	150,1	21,7	89,1%	69,4%	61,8%
160,00	0,21	0,65	3,90	336,6%	20,69	16,47	150,0	21,6	89,1%	69,6%	62,1%
161,00	0,17	0,66	3,92	333,7%	20,69	16,44	149,4	21,7	89,1%	69,9%	62,3%

162,00	0,17	0,66	3,94	331,7%	20,69	16,42	148,5	21,7	89,1%	70,1%	62,5%
163,00	0,17	0,66	3,93	333,0%	20,69	16,43	147,7	21,6	89,1%	70,2%	62,5%
164,00	0,17	0,64	3,65	362,5%	20,71	16,73	145,8	21,7	88,8%	69,1%	61,4%
165,00	0,17	0,58	3,42	396,4%	20,72	17,01	143,7	21,6	89,2%	68,2%	60,8%
166,00	0,12	0,55	3,37	406,5%	20,73	17,08	141,6	21,6	89,5%	68,3%	61,1%
167,00	0,12	0,55	3,38	405,9%	20,73	17,07	140,6	21,6	89,7%	68,5%	61,4%
168,00	0,12	0,55	3,35	409,8%	20,73	17,11	139,2	21,7	89,6%	68,6%	61,4%
169,00	0,12	0,53	3,29	420,8%	20,73	17,18	137,6	21,7	89,8%	68,5%	61,5%
170,00	0,08	0,51	3,27	425,9%	20,74	17,21	136,1	21,7	90,1%	68,7%	61,9%
171,00	0,08	0,50	3,25	430,3%	20,74	17,24	134,9	21,6	90,3%	68,8%	62,1%
172,00	0,08	0,49	3,23	433,6%	20,74	17,26	133,9	21,5	90,4%	68,9%	62,3%
173,00	0,08	0,48	3,20	439,3%	20,74	17,30	131,9	21,6	90,5%	69,1%	62,5%
174,00	0,08	0,48	3,19	441,0%	20,74	17,31	132,1	21,4	90,5%	68,9%	62,4%
175,00	0,08	0,47	3,19	442,5%	20,74	17,32	130,2	21,5	90,6%	69,3%	62,8%
176,00	0,08	0,47	3,17	445,2%	20,74	17,34	128,4	21,5	90,6%	69,5%	63,0%
177,00	0,08	0,47	3,16	447,1%	20,74	17,35	128,2	21,5	90,6%	69,5%	63,0%
178,00	0,04	0,47	3,10	455,9%	20,75	17,41	127,1	21,5	90,5%	69,4%	62,8%
179,00	0,08	0,48	3,12	451,5%	20,74	17,38	125,9	21,6	90,4%	69,7%	63,0%
180,00	0,03	0,48	3,14	448,1%	20,74	17,36	125,2	21,7	90,3%	70,0%	63,2%
181,00	0,03	0,49	3,18	440,9%	20,74	17,31	125,2	21,7	90,3%	70,2%	63,4%
182,00	0,03	0,49	3,20	438,6%	20,74	17,30	124,3	21,7	90,4%	70,5%	63,7%
183,00	0,03	0,48	3,19	441,2%	20,74	17,31	123,9	21,7	90,4%	70,5%	63,8%
184,00	0,03	0,49	3,09	454,7%	20,75	17,41	123,3	21,7	90,1%	70,1%	63,2%
185,00	0,03	0,48	3,06	461,4%	20,75	17,45	122,4	21,6	90,2%	70,0%	63,1%
186,00	0,03	0,47	3,05	463,3%	20,75	17,46	121,4	21,6	90,2%	70,2%	#DIV/0!
187,00	0,03	0,47	3,01	470,4%	20,75	17,50	120,8	21,6	90,2%	70,1%	63,2%
188,00	0,00	0,47	3,02	469,5%	20,75	17,50	119,8	21,6	90,3%	70,3%	63,5%

Date: 2023-02-16 Manufacturer: US stove Model: US1100E  
Project #: PI 20283 Run: L Tech: MM Reviewer: DP

- kindling 600LBS START FIRE
- 1 min torch
- close DOOR immediately
- Fan off
- At 1,7 LBS insert load
- close DOOR immediately
- open Fan Now
- At 3,00 LBS stop pompe and Fan
- At 2,5 LBS insert load
- ~~At~~ ~~1~~ close DOOR immediately
- At 9,00 min or 14,2 LBS close air inlet (mid point)

Date: 2023-02-16 Manufacturer: US STOVE Model: US1100E  
 Project #: PI 26283 Run: 2 Tech: MP Reviewer: DP

Moisture Meter Calibration Check:

Equipment #	Time	12%	22%
EM-334	7:00	ok	ok

**Facility Conditions:**

Air Velocity from less than 2 feet (max 50 Fpm) .....  
 Smoke Capture Check (Tunnel velocity) .....  
 Psychrometer filled and placed in tunnel.....

Pre-Test	Post-Test
0	ok
ok	NA
ok	ok

**Wood Heater Conditions:**

Date Wood Heater Stack Cleaned.....  
 Date Dilution Tunnel Cleaned.....  
 Induced Draft Check (max 0.005 H2O) .....  
 Traverse before ignition.....

2023-02-14
2023-02-14
ok
ok

**Temperature System:**

Ambient (65°-90°F) .....

ok	°F
----	----

**Proportional Checks:**

Thermocouple check.....  
 Pitot Clean.....  
 Pitot verification.....

ok
ok
ok

Pictures for report.....

Side	ok
Coal bed	ok
Load	ok
Load in stove	ok
Fuel adjustment	ok

Load Length approximately 5/6 of firebox Length.....

ok
----



# SAMPLING EQUIPMENT CHECK OUT

Model: US 1100 E

Manufacturer: VS 510VE

Date: 2023-02-16

Reviewer: [Signature]

Tech: [Signature]

Run: [Signature]

Project #: PI 20283

## Leakage Checks Tunnel Samplers

	System 1 <sup>st</sup> hour		System 1		System 2		Ambient	
	Pre-Test ASTM (-15) CSA B415 (-5)	Post-Test (Max test)	Pre-Test ASTM (-15) CSA B415 (-5)	Post-Test (Max test)	Pre-Test ASTM (-15) CSA B415 (-5)	Post-Test (Max test)	Pre-Test ASTM (-15) CSA B415 (-5)	Post-Test (Max test)
High fire test								
Unplugged Flow Rate = .25cfm								
Vacuum (inches Hg.)	-10	-10	-10	-10	-10	-10	-10	-10
Final 1 minute DGM (Liter)	197464	198612	77768989	77835981	52503167	52571313	43064216	43119511
Initial 1 minute DGM (Liter)	197464	198612	77768989	77835980	52503166	52571312	43064210	43119510
Change © (Liter)	∅	∅	0.01	0.01	0.01	0.01	0.06	0.01
Allowable leakage .04 x Sample rate or 0.28Lpm CSA B415 (0.56)								
Check OK	OK	OK	OK	OK	OK	OK	OK	OK





# SAMPLING EQUIPMENT CHECK OUT

Date: 2023-02-16      Model: US1100E  
 Project #: PI-20283      Manufacturer: CSSC  
 Run: 2      Tech: MM      Reviewer: DY

## Leakage Checks Tunnel Samplers

Low/Medium fire test	System 1 <sup>st</sup> hour		System 1		System 2		Ambient	
	Pre-Test ASTM (-15) CSA B415 (-5)	Post-Test (Max test)	Pre-Test ASTM (-15) CSA B415 (-5)	Post-Test (Max test)	Pre-Test ASTM (-15) CSA B415 (-5)	Post-Test (Max test)	Pre-Test ASTM (-15) CSA B415 (-5)	Post-Test (Max test)
Vacuum (inches Hg.)	-10	-10	-10	-10	-10	-10	-10	-10
Final 1 minute DGM (Liter)	1986 14	1998 20	778366 52	779398 91	525714 21	526756 91	431196 16	432035 22
Initial 1 minute DGM (Liter)	1986 14	1998 20	778360 51	779398 90	525714 21	526756 90	431196 16	432035 18
Change © (Liter)	ϕ	ϕ	001	001	ϕ	001	004	004
Allowable leakage .04 x Sample rate or 0.28Lpm CSA B415 (0.56)	OK	OK	OK	OK	OK	OK	OK	OK
Check OK	OK	OK	OK	OK	OK	OK	OK	OK



# SAMPLING EQUIPMENT CHECK OUT

Date: 2023-03-16      Project #: PI-20283      Run: Z      Manufacturer: US S/e      Tech: M.M.      Model: US10eT      Reviewer: PD

## Leakage Checks Flue Gas Sampler

Plugged Probe	Pre-Test	Post Test
Vacuum (inches Hg.)	- 5	- 5
Rotameter Reading (mm/min.)	0	0
Flow Rate (lpm)	1.5	1.5
Allowable (.02 x Sample Rate)	30	30
Check OK	OK	OK

## Leakage Checks Pitot

Plugged Probe	Pre-Test 3 H2o static	Pre-Test 0.4-0.5 H2o velocity	Post Test 3 H2o Static	Post Test 0.4-0.5 H2o velocity
Vacuum (inches Hg.)	3	. 5	3	. 4
Check OK (no change after 15 sec.)	OK	OK	OK	OK



Date: 2023-02-16      Manufacturer: US S to VE      Model: US 1100E  
 Project #: PT 20283      Run: 2      Tech: MM      Reviewer: D

Scale Type	Audit		Measured Weight
	Equipment #	Weight	
Platform	EM-090	44 lbs, Class F	44 lbs
Platform	EM-205	1000 Kg, Class F	1000 Kg
Wood	EM-090	440 lbs, Class F	440 lbs
Analytical	EM-335	100 mg, Class S	100 mg
Analytical	EM-129	200 g, Class S	200 g

**LIMITS OF WEIGHT RANGES**

**ANALYTICAL SCALE:** ..... 50%-150% of dry filter weight, ± 0.1 mg  
**PLATFORM SCALE:** ..... 20%-80% of ideal test load weight, ± 0.1 lbs or 1%  
**WOOD SCALE:** ..... 20%-80% of ideal test load weight, ± 0.01 lbs or 1%

**CONTINUOUS ANALYZERS**

Date: 2023-02-16 Manufacturer: US 5 Love Model: US 1100E  
 Project #: PT 20283 Run: 2 Tech: JM Reviewer: DP

FOR TUNNELS 12 in

Barometric pressure ( $P_{bar}$ ) 106.1 (KPa.) Static pressure ( $P_q$ ) \_\_\_\_\_ (inches w.c.)  
 Pitot tube type: Standard

Traverse Point	Position (inches)	Velocity Head $\Delta_p$ (inches H <sub>2</sub> O)	Tunnel Temperature (°F)
A Center	6	0.067	72.45
B Center	6	0.068	71.90
A-1	0.53	0.054	72.45
A-2	1.75	0.058	72.34
A-3	3.55	0.062	72.34
A-4	8.45	0.065	72.31
A-5	10.25	0.065	72.31
A-6	11.47	0.054	72.24
B-1	0.53	0.054	71.90
B-2	1.75	0.064	72.49
B-3	3.55	0.069	72.49
B-4	8.45	0.067	72.52
B-5	10.25	0.061	72.52
B-6	11.47	0.057	72.50

Date: 2023-02-16      Manufacturer: US STOVE      Model: US1100E  
 Project #: PI 20283      Run: 2      Tech: MR      Reviewer: DP

### Pre-Test (Adjust and Record)

	ZERO		SPAN		CAL. (Record Only)	
	Actual	Should Be	Actual	Should Be	Actual	Should Be
CO	0	0	3035	3000	1018	<del>3000</del> 1300 <sup>M.M.</sup>
Tolerance CO	0	+/- 0.02	0035	+/- 0.15	0018	+/- 0.05
CO <sub>2</sub>	0	0	1808	1800	983	<del>1800</del> 1000 <sup>M.M.</sup>
Tolerance CO <sub>2</sub>	0	+/- 0.02	008	+/- 0.5	017	+/- 0.5
O <sub>2</sub> informative CSA B415 calculated value	na	na	na	na	na	na
	Actual	Should Be	Actual	Should Be	Actual	Should Be

### Post Test (Record Only)

	Zero	Span	Cal.	Zero Drift	Limit	Span Drift	Limit	Cal. Drift	Limit	OK?	Not OK*
CO	0	3034	1010	0	0.02	0001	0.15	0,008	0.05	✓	
CO <sub>2</sub>	0	1805	986	0	0.02	0003	0.5	603	0.5	✓	



Date: 2023-02-16 Manufacturer: US 5 100 E Model: US 1100 E  
 Project #: PI 20283 Run: 2 Tech: MM Reviewer: [Signature]

RAW DRY GAS METER READINGS

	System 1 <sup>st</sup> hour	System 1	System 2	Blank
High fire test	Final (Liter)	525713, 08	18 1986, 10	431195, 05
	Initial (Liter)	525032, 34	1974, 72	430642, 45
Low medium fire test	Final (Liter)	526756, 45	1998, 20	432034, 92
	Initial (Liter)	525716, 50	1986, 18	431197, 35

AMBIENT CONDITIONS

	Before	After
Barometer (kPa):	1001	1001
Dry Bulb (F):	26.5	29.9
Humidity (%):	71.6	72.6

## FUEL DATA

Date: 2023-02-16 Manufacturer: US Stove Model: US 1103E  
 Project #: PJ 20283 Run: 2 Tech: MM Reviewer: DL

### FUEL DESCRIPTION:

Type of wood

### KINDLING AND START-UP LOAD

Piece Size	Weight	Meter Moisture Content (% dry)		
1/2 x 1/2 x 16 in.	2 194 lbs.	10	10	10
x x in.	lbs.			
1/2 x 1/2 x 16 in.	3 868 lbs.	19	19	19
x x in.	lbs.			
x x in.	lbs.			
x x in.	lbs.			
x x in.	lbs.			
x x in.	lbs.			
x x in.	lbs.			

### HIGHFIRE TEST LOAD

Piece Size	Weight	Meter Moisture Content (% dry)		
2 1/2 x 400 x 16 in.	2 726 lbs.	238	214	210
300 x 325 x 16 in.	2 708 lbs.	199	192	188
300 x 35 x 16 in.	2 712 lbs.	197	194	190
x x in.	lbs.			
400 x 425 x 16 in.	5 510 lbs.	<del>5538</del> MM	216	199
x x in.	lbs.			
x x in.	lbs.			
x x in.	lbs.			
x x in.	lbs.			

### FUEL DATA

Date: 2023-02-16 Manufacturer: US Stove Model: US1100E  
 Project #: PT 20283 Run: 2 Tech: MR Reviewer: SP

**FUEL DESCRIPTION:**  
 Type of wood:

**LOW OR MEDIUM TEST LOAD**

Piece Size	Weight	Meter Moisture Content (% dry)					
3 1/2 x 4 x 16 in.	3 338 lbs.	212		199			192
3 1/2 x 3 1/2 x 16 in.	3 304 lbs.	199		193			188
3 1/4 x 3 1/2 x 16 in.	3 254 lbs.	201		195			190
x x in.	lbs.						
4 00 x 4 25 x 16 in.	4 466 lbs.	212		197			197
3 00 x 3 00 x 16 in.	2 020 lbs.	197		192			187
x x in.	lbs.						
x x in.	lbs.						
x x in.	lbs.						
x x in.	lbs.						
x x in.	lbs.						
x x in.	lbs.						
x x in.	lbs.						
x x in.	lbs.						



# DILUTION TUNNEL PARTICULATE SAMPLER DATA

Date: 2023-02-16      Manufacturer: US stove      Model: US 1100E  
 Project # PI 20283      Run: L      Tech: JM      Reviewer: SP

Pre-test Weight Record		HIGH FIRE TEST FILTERS					
		SYSTEM 1 <sup>st</sup> hour		SYSTEM 1			
Date	Time	Probe & Housing Number	Front & Back Filter Number	gaskets	Probe & Housing Number	Front & Back Filter Number	gaskets
2023-02-15	17:00	001	446-447	7	17	448-449	36
		610943	01880	343170	1089415	01799	345361
2023-02-16	9:00	610943	01880	343169	1089416	01798	345362

Post-test Weight Record		HIGH FIRE TEST FILTERS					
		SYSTEM 1 <sup>st</sup> hour		SYSTEM 1			
Date	Time	Probe & Housing Number	Front & Back Filter Number	gaskets	Probe & Housing Number	Front & Back Filter Number	gaskets
2023-02-16	14:00	001	446-447	7	17	448-449	36
		610948	01901	343180	1089424	01823	345373
2023-02-20	9:00	610943	01897	343170	1089416	01818	345362
2023-02-24	9:00	610943	01896	343170	1089416	01817	345362

**DILUTION TUNNEL PARTICULATE SAMPLER DATA**

Date: 2023-02-16      Project #: PT 20183      Manufacturer: US 5 for 16      Model: US 1100E  
 Run: 2      Tech: MR      Reviewer: [Signature]

HIGH FIRE TEST FILTERS			
SYSTEM 2			
Pre-test Weight Record	Probe & Housing Number	Front & Back Filter Number	Blank Filter
Date	Time	gaskets	
2023-02-16	17:00	37	541
		351598	00907
2023-02-17	9:00	351598	00908

HIGH FIRE TEST FILTERS			
SYSTEM 2			
Post-test Weight Record	Probe & Housing Number	Front & Back Filter Number	Blank Filter
Date	Time	gaskets	
2023-02-17	14:00	37	541
		351606	00908
2023-02-20	9:00	351598	00908
2023-02-24	9:00	351598	00908

*test no d  
13:20*



# DILUTION TUNNEL PARTICULATE SAMPLER DATA

Date: 2023-02-16      Manufacturer: US Stove      Model: US 1100E  
 Project #: PI 26 283      Run: 2      Tech: KM      Reviewer: [Signature]

Pre-test Weight Record		LOW/MEDIUM FIRE TEST FILTERS					
		SYSTEM 1 <sup>st</sup> hour		SYSTEM 1			
Date	Time	Probe & Housing Number	Front & Back Filter Number	gaskets	Probe & Housing Number	Front & Back Filter Number	gaskets
		10	635-636	6	13	637-638	32
2023-02-15	17:00	94 6377	0/950	34 8522	95 1464	0/962	34 3859
2023-02-16	11:00	94 6377	0/951	34 8522	95 1465	0/963	34 3860

Post-test Weight Record		LOW/MEDIUM FIRE TEST FILTERS					
		SYSTEM 1 <sup>st</sup> hour		SYSTEM 1			
Date	Time	Probe & Housing Number	Front & Back Filter Number	gaskets	Probe & Housing Number	Front & Back Filter Number	gaskets
		10	635-636	6	13	637-638	32
2023-02-16	17:00	94 6384	0/959	34 8531	95 1474	0/978	34 3869
2023-02-20	9:00	94 6377	0/959	34 8522	95 1465	0/976	34 3860
2023-02-24	9:00	94 6377	0/958	34 8522	95 1465	0/975	34 3860

Date: 2023-02-16  
 Project #: PI 20283

Manufacturer: US Stove  
 Run: 2  
 Tech: M M

Model: US 1100 E  
 Reviewer: *SP*

LOW/MEDIUM FIRE TEST FILTERS					
SYSTEM 2					
Pre-test Weight Record		Probe & Housing Number	Front & Back Filter Number	gaskets	Blank Filter
Date	Time				
2023-02-15	17:30	30	639-640	35	641
		110 2130	01969	34 8920	00980
2023-02-16	11:30	110 2129	01968	34 8919	00979

LOW/MEDIUM FIRE TEST FILTERS					
SYSTEM 2					
Post-test Weight Record		Probe & Housing Number	Front & Back Filter Number	gaskets	Blank Filter
Date	Time				
2023-02-16	17:30	30	639-640	35	641
		110 2135	01983	34 8926	00980
2023-02-20	9:00	110 2129	01981	34 8919	00980
2023-02-24	9:00	110 2129	01980	34 8919	00980

*test for 16:38*

## APPENDIX 2: Proportionality results



							Average
							0,264
Average	Average	Average	#1st Hr	#1	#2		
98,78	102,93	102,30	System 1st Hr	System 1	System 2		SQRT
Proportional Rates			Vol.Std.	Vol.Std.	Vol.Std.		Delta-P
PR1st Hr	PR1	PR2				Time	
%	%	%	(ft3)	(ft3)	(ft3)	min	(in H2O)2
			0,000	0,185	0,186	0	0,2708436
94,47	102,40	102,58	0,178	0,185	0,186	1	0,2631753
91,75	99,45	100,41	0,178	0,185	0,187	2	0,2708585
93,06	101,09	100,85	0,176	0,184	0,186	3	0,2635567
92,42	100,69	100,47	0,176	0,183	0,184	4	0,2653102
92,72	100,82	100,65	0,176	0,183	0,184	5	0,2649255
95,27	103,69	103,55	0,176	0,183	0,184	6	0,258481
92,95	101,19	101,14	0,176	0,184	0,184	7	0,2652989
98,28	101,61	101,74	0,185	0,183	0,184	8	0,2639548
96,91	100,68	100,45	0,185	0,183	0,184	9	0,2676344
99,47	103,15	103,18	0,185	0,184	0,184	10	0,2612223
100,48	104,23	104,14	0,185	0,184	0,184	11	0,2588544
99,55	103,25	103,09	0,185	0,184	0,184	12	0,2615017
98,65	102,33	102,13	0,184	0,183	0,184	13	0,264046
97,08	100,77	100,52	0,184	0,184	0,184	14	0,2685804
99,28	102,92	102,79	0,184	0,183	0,184	15	0,2627018
99,81	103,58	103,45	0,184	0,183	0,184	16	0,2614459
99,01	102,73	102,17	0,184	0,183	0,183	17	0,2639586
96,76	100,56	99,89	0,184	0,183	0,183	18	0,2699183
101,16	104,80	104,74	0,184	0,183	0,183	19	0,2584588
97,82	101,46	101,13	0,184	0,183	0,184	20	0,2672317
100,21	103,87	103,75	0,184	0,183	0,184	21	0,2608303
98,91	102,52	102,34	0,184	0,183	0,183	22	0,2639601
98,01	101,89	101,20	0,184	0,183	0,183	23	0,2662821
99,88	103,65	103,34	0,184	0,183	0,183	24	0,2613367
95,84	99,72	99,12	0,184	0,183	0,183	25	0,2718141
98,23	101,85	101,37	0,184	0,183	0,183	26	0,2652994
97,67	101,53	101,06	0,184	0,183	0,183	27	0,2662825
97,13	101,06	100,49	0,184	0,183	0,183	28	0,2676303
98,28	102,18	101,70	0,184	0,183	0,183	29	0,2646438
99,53	103,37	102,81	0,184	0,183	0,183	30	0,2662638
100,06	104,20	103,36	0,184	0,183	0,183	31	0,2616186
101,26	105,41	104,75	0,184	0,183	0,183	32	0,2588589
99,46	103,50	103,29	0,184	0,183	0,183	33	0,2639664
99,30	103,25	102,57	0,184	0,183	0,183	34	0,264931
99,76	103,98	103,18	0,184	0,183	0,183	35	0,2645448
101,41	105,43	104,64	0,184	0,183	0,183	36	0,2608351
100,25	104,33	103,54	0,184	0,183	0,182	37	0,2643886
102,73	106,91	106,46	0,183	0,183	0,183	38	0,2578702
102,75	107,39	106,11	0,183	0,183	0,183	39	0,257473
100,36	104,58	103,90	0,183	0,183	0,182	40	0,263085
100,05	104,44	103,58	0,183	0,183	0,182	41	0,2635387
100,40	104,99	103,99	0,183	0,183	0,182	42	0,2626035
100,91	105,54	104,23	0,183	0,184	0,182	43	0,2608384
99,14	103,65	102,47	0,183	0,184	0,182	44	0,2655823
99,81	104,30	103,20	0,183	0,183	0,182	45	0,2637611
100,93	105,34	104,35	0,183	0,183	0,182	46	0,2608338
101,64	106,14	105,20	0,183	0,183	0,182	47	0,2588664
99,95	104,20	103,48	0,183	0,183	0,182	48	0,2631924
100,72	105,02	104,12	0,183	0,183	0,182	49	0,260842
99,12	103,44	102,79	0,183	0,183	0,182	50	0,2649206
99,06	103,39	102,43	0,183	0,183	0,182	51	0,2649421
101,50	106,06	105,13	0,183	0,183	0,182	52	0,2584723
100,24	104,72	103,96	0,183	0,183	0,182	53	0,2616885

99,30	103,92	102,89	0,183	0,183	0,182	54	0,2639714
98,62	103,02	102,25	0,183	0,183	0,182	55	0,2658818
101,13	105,52	104,67	0,183	0,183	0,182	56	0,2591167
100,22	104,52	104,03	0,183	0,183	0,182	57	0,2616276
100,45	105,12	103,98	0,183	0,183	0,182	58	0,2612383
96,84	100,90	100,22	0,183	0,183	0,182	59	0,2708835
	104,12	103,04		0,183	0,182	60	0,26369
	103,74	102,44		0,183	0,182	61	0,2639783
	102,54	101,61		0,183	0,182	62	0,2672587
	103,86	102,78		0,183	0,182	63	0,2635702
	103,23	102,26		0,183	0,182	64	0,2653339
	102,62	101,99		0,183	0,183	65	0,2662977
	100,76	99,91		0,183	0,183	66	0,2708859
	104,79	103,89		0,183	0,182	67	0,2602792
	101,44	100,83		0,183	0,183	68	0,2685973
	101,68	100,99		0,183	0,183	69	0,267646
	102,66	101,78		0,183	0,182	70	0,2647187
	100,00	99,09		0,183	0,182	71	0,272209
	101,79	101,28		0,183	0,183	72	0,2668772
	101,82	101,39		0,183	0,183	73	0,2668771
	103,65	102,89		0,183	0,183	74	0,2626226
	104,09	103,47		0,183	0,183	75	0,2612423
	102,59	101,88		0,183	0,183	76	0,2645611
	102,17	101,45		0,183	0,183	77	0,265153
	102,38	101,79		0,183	0,183	78	0,2645648
	103,66	103,11		0,183	0,183	79	0,2612417
	102,24	101,68		0,183	0,183	80	0,2645614
	103,99	102,92		0,183	0,183	81	0,26043
	102,04	101,23		0,183	0,182	82	0,2653544
	102,17	101,83		0,183	0,183	83	0,2645612
	102,27	101,65		0,183	0,183	84	0,2641785
	102,77	102,04		0,183	0,183	85	0,2631755
	103,43	102,41		0,183	0,183	86	0,2616353
	101,09	100,63		0,183	0,183	87	0,2667719
	103,52	102,62		0,183	0,183	88	0,2611489
	102,97	102,11		0,184	0,183	89	0,2631983
	100,56	99,93		0,183	0,183	90	0,2686024
	102,29	101,36		0,183	0,183	91	0,2641374
	102,53	101,91		0,183	0,182	92	0,2626138
	102,00	101,46		0,183	0,183	93	0,2645594
	101,53	100,75		0,183	0,183	94	0,266198
	102,06	101,40		0,183	0,183	95	0,2645561
	101,31	100,62		0,183	0,183	96	0,2662979
	103,88	103,23		0,183	0,183	97	0,2598623
	103,69	102,88		0,183	0,183	98	0,2608887
	101,24	100,35		0,184	0,183	99	0,2668763
	101,64	100,90		0,183	0,183	100	0,2653347
	103,13	102,18		0,183	0,183	101	0,2616319
	100,92	100,11		0,183	0,183	102	0,2672589
	101,06	100,39		0,183	0,183	103	0,2668678
	102,88	102,43		0,183	0,183	104	0,261632
	100,23	99,24		0,183	0,183	105	0,2691999
	103,22	102,47		0,184	0,183	106	0,2608402

							Average
							0,264
Average	Average	Average	#1st Hr	#1	#2		
100,35	98,75	98,74	System 1st Hr	System 1	System 2		SQRT
Proportional Rates			Vol.Std.	Vol.Std.	Vol.Std.		Delta-P
PR1st Hr	PR1	PR2				Time	
%	%	%	(ft3)	(ft3)	(ft3)	min	(in H2O)2
			0,186	0,183	0,183	0	0,2639707
99,25	98,61	98,87	0,183	0,183	0,183	1	0,2662957
100,93	100,48	100,51	0,183	0,183	0,182	2	0,2609071
100,84	100,38	100,41	0,182	0,183	0,182	3	0,262605
99,74	99,11	99,27	0,183	0,183	0,182	4	0,2640871
98,66	98,25	98,43	0,183	0,183	0,182	5	0,266854
96,72	96,24	96,17	0,183	0,183	0,182	6	0,2727491
98,89	98,43	98,26	0,183	0,183	0,182	7	0,2672569
102,80	102,12	102,09	0,183	0,183	0,182	8	0,2578805
101,79	101,08	101,32	0,183	0,183	0,182	9	0,2608435
102,26	101,91	101,87	0,183	0,183	0,182	10	0,2602573
103,09	102,68	102,54	0,183	0,183	0,182	11	0,2588673
101,67	101,36	101,41	0,183	0,183	0,182	12	0,2612369
102,11	101,86	101,55	0,183	0,183	0,182	13	0,2592891
103,12	102,69	102,61	0,183	0,183	0,182	14	0,2565393
99,51	99,08	99,07	0,183	0,183	0,182	15	0,2653327
101,58	101,32	101,01	0,183	0,183	0,182	16	0,2596404
101,54	101,12	101,08	0,183	0,183	0,182	17	0,2596959
101,04	100,60	100,47	0,183	0,183	0,182	18	0,2612387
100,13	99,98	99,65	0,183	0,183	0,182	19	0,2631958
100,93	100,76	100,58	0,183	0,183	0,182	20	0,2612384
99,10	98,60	98,68	0,183	0,183	0,182	21	0,2658962
98,93	98,79	98,24	0,183	0,183	0,182	22	0,2662968
97,62	97,44	97,16	0,183	0,183	0,182	23	0,2699321
99,76	99,56	99,32	0,183	0,183	0,182	24	0,2641593
100,94	100,87	100,36	0,183	0,183	0,182	25	0,2612055
99,77	99,56	99,33	0,183	0,183	0,182	26	0,2639753
99,82	99,55	99,39	0,183	0,183	0,182	27	0,263974
98,58	98,25	97,91	0,183	0,183	0,182	28	0,2672641
99,36	99,22	99,04	0,183	0,183	0,182	29	0,2653336
98,85	98,54	98,34	0,183	0,183	0,182	30	0,2668742
100,08	100,12	99,56	0,183	0,183	0,182	31	0,2631143
99,11	98,80	98,54	0,183	0,183	0,182	32	0,2659174
98,82	98,43	98,16	0,183	0,183	0,182	33	0,2668743
100,25	99,90	99,44	0,183	0,183	0,182	34	0,2631938
100,98	100,76	100,38	0,183	0,183	0,182	35	0,2608339
100,97	100,63	100,43	0,183	0,183	0,182	36	0,2608462
100,80	100,71	100,00	0,183	0,183	0,182	37	0,2612396
101,22	100,97	100,54	0,183	0,183	0,182	38	0,260255
100,76	100,45	100,38	0,183	0,183	0,182	39	0,2612202
101,39	101,16	100,89	0,183	0,183	0,182	40	0,2598637
100,72	100,27	99,97	0,183	0,183	0,182	41	0,2616314
99,89	99,54	99,07	0,183	0,183	0,182	42	0,2639754
98,96	98,60	98,31	0,183	0,183	0,182	43	0,2662979
100,22	99,57	99,54	0,183	0,183	0,182	44	0,2631961
100,76	100,50	99,99	0,183	0,183	0,182	45	0,2616313
100,40	99,87	99,62	0,183	0,183	0,182	46	0,2625401
99,54	99,07	99,01	0,183	0,183	0,182	47	0,2645544
99,75	99,55	99,06	0,183	0,183	0,182	48	0,2639735
100,04	99,47	99,34	0,183	0,183	0,182	49	0,2634543
100,80	100,52	100,14	0,183	0,183	0,182	50	0,2612392
99,95	99,47	99,37	0,183	0,183	0,182	51	0,2635858
99,65	99,45	99,19	0,183	0,183	0,182	52	0,2642481
102,36	101,89	101,43	0,183	0,183	0,182	53	0,2574909

100,29	99,96	99,41	0,183	0,183	0,182	54	0,262609
100,70	100,15	99,90	0,183	0,183	0,182	55	0,2616315
100,84	100,49	100,08	0,183	0,183	0,182	56	0,2612408
101,76	101,20	100,99	0,183	0,183	0,182	57	0,2589074
99,00	98,69	98,16	0,183	0,183	0,182	58	0,2662971
101,30	101,04	100,87	0,183	0,183	0,182	59	0,2599707
	100,07	99,45		0,183	0,182	60	0,2624918
	100,66	99,95		0,183	0,181	61	0,2612268
	98,90	98,49		0,183	0,182	62	0,2659119
	99,00	98,61		0,183	0,182	63	0,2653332
	98,94	98,53		0,183	0,182	64	0,2654012
	100,11	99,94		0,183	0,182	65	0,2626118
	99,27	99,22		0,183	0,183	66	0,2645578
	99,71	99,47		0,183	0,183	67	0,2639749
	101,51	101,29		0,183	0,182	68	0,2589837
	101,16	100,75		0,183	0,182	69	0,2598615
	101,14	101,29		0,183	0,182	70	0,259267
	98,00	97,82		0,183	0,183	71	0,268242
	100,65	100,37		0,183	0,182	72	0,2612408
	99,23	99,44		0,183	0,183	73	0,2645586
	98,57	98,37		0,183	0,183	74	0,266843
	100,62	100,16		0,183	0,182	75	0,2616313
	98,63	98,57		0,183	0,182	76	0,2662967
	99,82	99,65		0,183	0,182	77	0,2634488
	102,06	101,97		0,183	0,183	78	0,2574811
	98,68	98,59		0,183	0,183	79	0,2663001
	99,08	98,97		0,183	0,183	80	0,2649461
	98,59	98,61		0,183	0,183	81	0,2659139
	99,33	99,11		0,183	0,183	82	0,2643231
	99,61	99,67		0,183	0,183	83	0,263592
	99,86	99,47		0,183	0,182	84	0,2626116
	99,67	99,61		0,183	0,182	85	0,2631964
	100,25	100,17		0,183	0,182	86	0,2612118
	99,01	99,06		0,183	0,182	87	0,2645589
	99,98	100,20		0,183	0,183	88	0,2616315
	99,30	99,30		0,183	0,183	89	0,2635384
	99,52	99,30		0,183	0,182	90	0,2631792
	99,34	99,52		0,183	0,182	91	0,2631974
	99,08	99,06		0,183	0,183	92	0,2639667
	100,42	100,51		0,183	0,183	93	0,2606604
	100,79	100,53		0,183	0,182	94	0,259859
	99,19	99,16		0,183	0,182	95	0,2639748
	97,24	97,20		0,183	0,183	96	0,269369
	99,11	99,12		0,183	0,183	97	0,2639834
	99,92	99,94		0,183	0,183	98	0,261631
	100,03	100,02		0,183	0,183	99	0,2616306
	98,25	98,30		0,183	0,183	100	0,2658487
	100,13	99,86		0,183	0,182	101	0,2612373
	97,71	97,64		0,183	0,182	102	0,2676261
	99,67	100,00		0,183	0,183	103	0,2618599
	97,81	97,72		0,183	0,183	104	0,2674092
	100,00	99,97		0,183	0,183	105	0,2612412
	98,54	98,49		0,183	0,182	106	0,2649447
	100,49	100,36		0,183	0,182	107	0,2596535
	100,03	100,01		0,183	0,182	108	0,2608408
	100,04	100,04		0,183	0,183	109	0,2608447
	99,87	99,81		0,183	0,183	110	0,2616301
	101,21	101,22		0,183	0,183	111	0,2576974
	100,49	100,06		0,183	0,182	112	0,259859
	98,57	98,46		0,183	0,182	113	0,2648832
	99,87	99,79		0,183	0,182	114	0,2612466

99,96	99,79	0,183	0,182	115	0,2608497
98,00	97,95	0,183	0,182	116	0,2659106
99,77	99,87	0,183	0,183	117	0,2610923
98,52	98,29	0,183	0,183	118	0,264944
98,51	98,36	0,183	0,182	119	0,2645538
96,51	96,47	0,183	0,182	120	0,2699314
100,75	100,55	0,183	0,183	121	0,2592522
99,62	99,88	0,183	0,183	122	0,2612425
99,82	100,01	0,183	0,183	123	0,2608415
98,92	99,01	0,183	0,183	124	0,2631933
98,35	98,65	0,183	0,183	125	0,2646519
99,65	99,77	0,183	0,183	126	0,2612358
95,38	95,53	0,183	0,183	127	0,2727677
99,08	99,13	0,183	0,183	128	0,263183
99,62	99,43	0,183	0,183	129	0,2616272
98,88	99,08	0,183	0,183	130	0,2635805
99,66	99,85	0,183	0,183	131	0,2612356
97,00	96,99	0,183	0,183	132	0,2685958
98,12	98,22	0,183	0,183	133	0,2653594
96,36	96,50	0,183	0,183	134	0,2699273
97,28	97,23	0,183	0,183	135	0,2679487
101,03	100,66	0,183	0,182	136	0,2579467
99,26	99,09	0,183	0,182	137	0,2626028
98,26	98,28	0,183	0,183	138	0,2649403
99,03	98,98	0,183	0,183	139	0,262772
96,37	96,63	0,183	0,183	140	0,2695451
97,83	98,10	0,183	0,183	141	0,2659057
99,13	99,33	0,183	0,183	142	0,2626056
97,07	97,12	0,183	0,183	143	0,2679588
98,95	98,89	0,183	0,183	144	0,2631895
97,31	97,36	0,183	0,183	145	0,2672531
98,64	98,68	0,183	0,183	146	0,2639695
98,57	98,41	0,183	0,183	147	0,263969
98,42	98,62	0,183	0,182	148	0,2639692
98,48	98,72	0,183	0,183	149	0,2639666
99,86	100,05	0,183	0,183	150	0,2608388
96,67	96,62	0,183	0,183	151	0,2697564
97,58	97,70	0,183	0,183	152	0,266873
100,63	100,87	0,183	0,183	153	0,258672
98,63	98,87	0,183	0,183	154	0,2636122
98,97	99,02	0,183	0,183	155	0,2631565
97,81	97,83	0,183	0,183	156	0,2662923
99,66	99,89	0,183	0,183	157	0,2612339
97,71	97,90	0,183	0,183	158	0,2662001
99,77	99,53	0,183	0,183	159	0,2612338
99,20	99,09	0,183	0,182	160	0,2626045
97,05	97,03	0,183	0,183	161	0,2682116
98,29	98,29	0,183	0,182	162	0,2645152
99,10	99,07	0,183	0,182	163	0,262603
98,93	99,14	0,183	0,183	164	0,2626051
99,60	100,08	0,183	0,183	165	0,2608396
97,38	97,39	0,183	0,183	166	0,2673166
98,57	98,33	0,183	0,182	167	0,2639732
97,30	97,15	0,183	0,182	168	0,2676362
96,21	96,21	0,183	0,183	169	0,2708765
98,25	98,24	0,183	0,183	170	0,2653265
98,34	98,40	0,183	0,183	171	0,2649383
99,16	99,05	0,183	0,183	172	0,2627299
98,69	99,04	0,183	0,183	173	0,2635789
98,23	98,13	0,183	0,183	174	0,2653227
97,15	97,19	0,183	0,183	175	0,2682118



100,03	99,96	0,183	0,183	176	0,2607594
99,23	99,28	0,183	0,183	177	0,262669
98,11	98,10	0,183	0,183	178	0,2652971
98,06	97,97	0,183	0,183	179	0,2653261
97,13	97,27	0,183	0,183	180	0,2678255
98,78	99,21	0,183	0,183	181	0,2631883
99,73	99,64	0,183	0,183	182	0,2608386
97,49	97,62	0,183	0,183	183	0,2668676
95,97	96,05	0,183	0,183	184	0,2712472
97,50	97,55	0,183	0,183	185	0,2672566
98,30	98,18	0,183	0,183	186	0,2649361
96,05	96,02	0,183	0,183	187	0,270876
97,38	97,29	0,183	0,183	188	0,2676491
98,04	98,43	0,183	0,183	189	0,2652877
96,60	96,69	0,183	0,183	190	0,269544
98,15	98,26	0,183	0,183	191	0,2649133
97,49	97,51	0,183	0,183	192	0,2672524
99,53	99,93	0,183	0,183	193	0,2612269
99,22	99,53	0,183	0,183	194	0,2616254
100,79	100,81	0,183	0,183	195	0,2581157
97,63	97,87	0,183	0,183	196	0,2668767
97,86	97,98	0,183	0,183	197	0,2659054
96,00	96,19	0,183	0,183	198	0,2712544
99,55	99,48	0,183	0,183	199	0,2614278
97,70	98,01	0,183	0,183	200	0,2660729
99,57	99,43	0,183	0,183	201	0,2616265
100,55	100,90	0,183	0,183	202	0,2589435
98,58	98,82	0,183	0,183	203	0,2640259
97,89	98,08	0,183	0,183	204	0,2659111
101,97	102,27	0,183	0,183	205	0,2550713
96,07	96,25	0,183	0,183	206	0,2708749
99,01	99,33	0,183	0,183	207	0,2626028
96,57	96,76	0,183	0,183	208	0,2695467
97,77	97,92	0,183	0,183	209	0,2660216
99,06	99,28	0,183	0,183	210	0,2626311
98,84	98,79	0,183	0,183	211	0,263557
99,68	99,67	0,183	0,183	212	0,261232
98,69	98,76	0,183	0,183	213	0,263968
95,03	95,01	0,183	0,183	214	0,2740765
98,88	98,88	0,183	0,183	215	0,2631873
99,76	99,77	0,183	0,183	216	0,2612311
97,21	97,22	0,183	0,183	217	0,2676355
97,67	97,70	0,183	0,183	218	0,2665186
96,37	96,69	0,183	0,183	219	0,2699295
98,63	98,78	0,183	0,183	220	0,2639686
97,85	98,12	0,183	0,183	221	0,2658811
100,31	100,24	0,183	0,183	222	0,25986
100,60	100,70	0,183	0,183	223	0,2584914
97,03	96,89	0,183	0,183	224	0,2682088
100,68	100,71	0,183	0,183	225	0,2588409
98,79	98,65	0,184	0,183	226	0,2638801
98,31	98,19	0,183	0,183	227	0,2649367
97,17	97,34	0,183	0,183	228	0,26821
99,02	99,10	0,183	0,183	229	0,262602
99,63	99,73	0,183	0,183	230	0,2612318
98,04	98,32	0,183	0,183	231	0,2653285
97,33	97,60	0,183	0,183	232	0,2672497
97,16	97,28	0,183	0,183	233	0,2676354
99,37	99,50	0,183	0,183	234	0,2616146
97,51	97,69	0,183	0,183	235	0,2668684
95,99	95,88	0,183	0,183	236	0,2712546

99,10	99,06	0,183	0,183	237	0,262059
96,37	96,71	0,183	0,183	238	0,2695362
98,36	98,33	0,183	0,183	239	0,2645508
97,92	97,93	0,183	0,183	240	0,2661428
97,05	97,20	0,183	0,183	241	0,2676372
97,32	97,33	0,183	0,183	242	0,2672499
97,45	97,62	0,183	0,183	243	0,2668677
97,41	97,67	0,183	0,183	244	0,2668663
98,58	99,03	0,183	0,183	245	0,2634579
98,09	98,42	0,183	0,183	246	0,2649415
98,54	98,68	0,183	0,183	247	0,2639672
99,63	99,76	0,183	0,183	248	0,260834
99,84	99,90	0,183	0,183	249	0,2608374
99,57	99,61	0,183	0,183	250	0,2612318
100,07	100,34	0,183	0,183	251	0,2598534
98,35	98,66	0,183	0,183	252	0,2642294
98,23	98,43	0,183	0,183	253	0,264703
95,19	95,42	0,183	0,183	254	0,2735131
97,19	97,29	0,183	0,183	255	0,2676344
98,63	98,64	0,183	0,183	256	0,263891
98,81	98,82	0,183	0,183	257	0,263724
97,10	97,01	0,183	0,183	258	0,2676346
99,07	99,02	0,183	0,183	259	0,2626
98,63	98,58	0,183	0,183	260	0,2640605
96,99	97,10	0,183	0,183	261	0,2682106
98,14	98,35	0,183	0,183	262	0,2649356
97,23	97,10	0,183	0,183	263	0,267635
97,02	97,05	0,183	0,183	264	0,2681529
96,25	96,45	0,183	0,183	265	0,2699142
100,06	100,09	0,183	0,183	266	0,2598533
96,04	95,96	0,183	0,183	267	0,2712537
99,83	99,95	0,184	0,183	268	0,2605317
98,75	98,98	0,183	0,183	269	0,2631917
96,96	97,40	0,183	0,183	270	0,2679588
96,88	97,07	0,183	0,183	271	0,2682088
98,47	98,57	0,183	0,183	272	0,2639471
97,33	97,55	0,183	0,183	273	0,267253
97,71	97,76	0,183	0,183	274	0,2662882
99,99	100,25	0,183	0,183	275	0,2598529
96,80	96,96	0,183	0,183	276	0,2685789
98,23	98,17	0,183	0,183	277	0,2645487
98,99	99,00	0,183	0,183	278	0,2626369
98,14	98,09	0,183	0,183	279	0,2649355
97,76	97,84	0,183	0,183	280	0,2659007
96,09	96,07	0,183	0,183	281	0,2708712
98,50	98,21	0,184	0,183	282	0,2643218
98,21	98,31	0,183	0,183	283	0,2649568
96,16	96,06	0,184	0,183	284	0,270876
98,62	98,77	0,183	0,183	285	0,2635782
95,83	96,07	0,183	0,183	286	0,2703553
96,54	96,48	0,183	0,183	287	0,269614
97,72	97,69	0,183	0,183	288	0,2662876
98,34	98,22	0,183	0,183	289	0,2645494
96,82	96,91	0,183	0,183	290	0,2682089
98,30	98,40	0,183	0,183	291	0,2644697
98,62	98,55	0,183	0,183	292	0,2635777
97,61	97,66	0,183	0,183	293	0,2660277
99,63	99,71	0,183	0,183	294	0,2612308
98,45	98,44	0,183	0,183	295	0,2639731
97,96	98,08	0,183	0,183	296	0,2653252
100,14	99,95	0,183	0,183	297	0,2598862

98,78	99,04	0,183	0,183	298	0,2631279
98,05	98,38	0,183	0,183	299	0,2645528
97,68	97,91	0,183	0,183	300	0,265903
98,44	98,48	0,183	0,183	301	0,2639656
98,75	99,14	0,183	0,183	302	0,2631913
99,54	99,79	0,183	0,183	303	0,2608373
98,49	98,49	0,183	0,183	304	0,2639662
96,85	96,97	0,183	0,183	305	0,268464
99,44	99,46	0,183	0,183	306	0,2612435
100,09	100,34	0,183	0,183	307	0,2598514
94,60	94,88	0,183	0,183	308	0,274441
101,15	101,08	0,183	0,183	309	0,2571861
97,61	97,85	0,183	0,183	310	0,2659044
98,29	98,78	0,183	0,183	311	0,2639654
97,66	97,63	0,183	0,183	312	0,2662881
98,69	98,77	0,183	0,183	313	0,2636529
96,43	96,48	0,183	0,183	314	0,2695449
97,19	96,85	0,183	0,182	315	0,2672508
95,80	96,11	0,183	0,183	316	0,270874
98,27	98,30	0,183	0,183	317	0,2640448
98,37	98,65	0,183	0,183	318	0,2639659
98,12	98,22	0,183	0,183	319	0,2649347
98,47	98,62	0,183	0,183	320	0,2636939
97,04	97,09	0,183	0,183	321	0,2674573
95,78	95,99	0,183	0,183	322	0,2708711
99,38	99,52	0,183	0,183	323	0,2612319
98,78	98,71	0,183	0,183	324	0,2631879
99,48	99,46	0,183	0,183	325	0,2610725
95,36	95,57	0,183	0,183	326	0,2721963
97,80	97,84	0,183	0,183	327	0,2659026
99,65	99,69	0,183	0,183	328	0,2605768
98,03	98,33	0,183	0,183	329	0,2644813
97,66	97,74	0,183	0,183	330	0,2659016
97,37	97,41	0,183	0,183	331	0,2668646
97,99	97,89	0,183	0,183	332	0,2652357
99,73	99,94	0,183	0,183	333	0,2602521
97,47	97,61	0,183	0,183	334	0,2662865
98,75	98,96	0,183	0,183	335	0,2631863
98,19	98,40	0,183	0,183	336	0,264148
97,46	97,61	0,183	0,183	337	0,2662902
97,47	97,55	0,183	0,183	338	0,2668656
96,95	96,86	0,184	0,183	339	0,2682069
96,62	96,83	0,184	0,183	340	0,2688225
100,76	101,03	0,183	0,183	341	0,257473
98,47	98,40	0,183	0,183	342	0,2639651

							Average
							0,259
Average	Average	Average	#1st Hr	#1	#2		
102,62	103,24	101,88	System 1st Hr	System 1	System 2		SQRT
Proportional Rates			Vol.Std.	Vol.Std.	Vol.Std.		Delta-P
PR1st Hr	PR1	PR2				Time	
%	%	%	(ft3)	(ft3)	(ft3)	min	(in H2O)2
			0,000	0,000	0,000	0	0,256227
103,82	103,60	103,04	0,183	0,089	0,089	1	0,2542611
101,87	101,95	101,34	0,183	0,178	0,179	2	0,258572
99,30	99,43	98,53	0,183	0,178	0,178	3	0,2653155
98,86	98,80	97,88	0,183	0,178	0,178	4	0,2668553
101,28	101,29	100,66	0,183	0,178	0,178	5	0,2605618
100,01	100,21	99,38	0,183	0,178	0,178	6	0,2645252
101,30	101,42	100,69	0,183	0,178	0,178	7	0,2612195
102,12	102,02	101,30	0,183	0,178	0,178	8	0,2592472
101,20	101,43	100,48	0,183	0,178	0,178	9	0,2616831
101,32	101,24	100,48	0,183	0,178	0,178	10	0,2616073
102,52	102,71	102,00	0,183	0,178	0,178	11	0,258852
101,50	101,40	100,75	0,183	0,178	0,178	12	0,2616096
102,43	102,45	101,90	0,183	0,178	0,178	13	0,2592481
101,95	102,01	101,10	0,183	0,178	0,178	14	0,2606773
102,99	103,20	102,09	0,183	0,178	0,178	15	0,2584522
102,72	102,77	101,76	0,183	0,178	0,178	16	0,2592511
103,14	103,09	102,16	0,183	0,178	0,178	17	0,2583182
103,02	103,11	101,89	0,183	0,178	0,178	18	0,2584774
101,84	102,12	101,25	0,182	0,178	0,178	19	0,2612218
104,43	104,57	103,39	0,182	0,178	0,178	20	0,2550639
103,16	103,26	102,09	0,182	0,178	0,177	21	0,2584911
102,63	102,79	101,54	0,182	0,178	0,177	22	0,2598801
102,74	102,72	101,60	0,182	0,177	0,177	23	0,2598434
102,46	102,19	101,07	0,182	0,177	0,177	24	0,2608274
101,40	101,29	100,32	0,182	0,177	0,177	25	0,2631783
105,16	105,35	103,99	0,182	0,177	0,177	26	0,2537223
102,38	102,46	101,18	0,182	0,177	0,177	27	0,2608187
102,89	103,15	101,94	0,182	0,178	0,177	28	0,2592511
104,50	104,51	103,38	0,182	0,177	0,177	29	0,2553633
103,36	103,45	102,20	0,182	0,177	0,177	30	0,2579289
104,27	104,53	103,11	0,182	0,177	0,177	31	0,2554648
104,77	105,08	103,57	0,182	0,178	0,177	32	0,2540567
104,34	104,38	103,02	0,182	0,177	0,177	33	0,2551983
101,73	101,99	100,31	0,182	0,177	0,177	34	0,2620191
103,90	104,05	102,88	0,182	0,177	0,177	35	0,2584612
103,69	103,99	102,55	0,182	0,177	0,177	36	0,2574669
102,11	102,59	101,03	0,182	0,178	0,177	37	0,2608322
102,26	102,66	101,12	0,182	0,178	0,177	38	0,2601897
101,87	102,24	100,57	0,182	0,178	0,177	39	0,2621482
106,10	106,52	104,75	0,182	0,178	0,177	40	0,2516269
101,63	102,06	100,34	0,182	0,178	0,177	41	0,2622054
101,41	101,77	100,08	0,182	0,178	0,177	42	0,2619958
102,59	102,99	101,31	0,182	0,178	0,177	43	0,2588595
102,94	103,29	101,67	0,182	0,178	0,177	44	0,258859
101,97	102,21	100,77	0,182	0,178	0,177	45	0,2615411
101,04	101,18	99,88	0,182	0,177	0,177	46	0,264015
103,75	103,91	102,47	0,182	0,177	0,177	47	0,25707
100,27	100,67	98,98	0,182	0,177	0,176	48	0,2658976
105,66	105,88	104,41	0,182	0,177	0,176	49	0,2526424
103,74	103,81	102,51	0,182	0,177	0,177	50	0,2574687
103,06	103,29	102,06	0,182	0,177	0,177	51	0,2593097
102,72	103,14	101,39	0,182	0,177	0,177	52	0,2598496
104,95	105,25	103,81	0,182	0,177	0,177	53	0,2540605

102,91	103,03	101,79	0,182	0,177	0,177	54	0,2592873
102,88	103,53	101,71	0,182	0,177	0,177	55	0,2588607
102,82	103,19	101,83	0,182	0,178	0,177	56	0,2591854
102,82	103,20	101,68	0,182	0,177	0,177	57	0,2590759
101,53	101,91	100,08	0,182	0,177	0,176	58	0,2625999
102,79	103,27	101,64	0,182	0,177	0,176	59	0,2592577
	103,91	102,39		0,177	0,177	60	0,2574713
	103,58	101,76		0,178	0,177	61	0,2592571
	103,42	101,70		0,178	0,177	62	0,2592606
	101,86	100,33		0,178	0,177	63	0,2635765
	105,15	103,56		0,178	0,177	64	0,2555417
	103,87	102,15		0,178	0,177	65	0,2589532
	103,89	102,33		0,178	0,177	66	0,258864
	104,19	102,47		0,178	0,177	67	0,2584663
	105,17	103,83		0,178	0,177	68	0,2557123
	102,97	101,52		0,178	0,177	69	0,2612347
	103,71	102,11		0,178	0,177	70	0,2598542
	104,78	103,21		0,178	0,177	71	0,2564752
	103,93	102,38		0,178	0,177	72	0,2583103
	102,57	101,18		0,178	0,177	73	0,2616461
	106,21	104,77		0,178	0,177	74	0,2526625
	101,42	100,00		0,178	0,177	75	0,2644905
	105,81	104,27		0,178	0,177	76	0,2531497
	103,36	101,86		0,178	0,177	77	0,2592608
	103,93	102,53		0,178	0,177	78	0,2574766
	102,50	100,90		0,178	0,177	79	0,2612332
	104,14	102,72		0,178	0,177	80	0,2568794
	103,47	102,20		0,178	0,177	81	0,2584696
	105,27	103,72		0,178	0,177	82	0,2540643
	101,85	100,46		0,178	0,177	83	0,2621943
	103,32	101,70		0,178	0,177	84	0,2585884
	105,58	104,24		0,177	0,177	85	0,2528038
	102,39	101,05		0,177	0,177	86	0,2608409
	103,39	102,14		0,177	0,177	87	0,2585123
	103,83	102,55		0,177	0,177	88	0,2578707
	105,10	103,79		0,177	0,177	89	0,2540681
	102,99	101,57		0,177	0,177	90	0,2598052
	102,21	100,87		0,178	0,177	91	0,2616415
	103,28	102,24		0,177	0,177	92	0,2588667
	102,88	101,31		0,178	0,177	93	0,2608363
	101,66	100,22		0,178	0,177	94	0,2635785
	100,38	99,26		0,177	0,177	95	0,2668687
	103,69	101,98		0,178	0,177	96	0,2592643
	104,35	102,90		0,178	0,177	97	0,2571289
	100,92	99,47		0,177	0,177	98	0,2662683
	102,76	101,50		0,177	0,177	99	0,2612337
	104,05	102,34		0,177	0,177	100	0,258545
	104,33	103,20		0,177	0,177	101	0,2574776
	103,84	102,42		0,177	0,177	102	0,2588676
	104,05	102,55		0,177	0,177	103	0,258471
	103,76	102,22		0,178	0,177	104	0,2592624
	104,31	103,12		0,177	0,177	105	0,2574762
	104,28	102,86		0,177	0,177	106	0,2578699
	103,04	101,48		0,177	0,177	107	0,261234
	105,41	103,99		0,177	0,177	108	0,2550501
	101,62	100,30		0,177	0,177	109	0,2650108
	103,97	102,60		0,178	0,177	110	0,2588714
	104,46	102,68		0,178	0,177	111	0,2578749
	102,21	101,03		0,178	0,177	112	0,2626032
	103,69	102,12		0,177	0,177	113	0,2592662
	104,98	103,36		0,178	0,177	114	0,2560787

103,08	101,59	0,178	0,177	115	0,2608429
103,30	101,74	0,178	0,177	116	0,2600583
103,72	102,50	0,177	0,177	117	0,2588637
102,69	101,13	0,177	0,177	118	0,2616297
103,52	101,81	0,178	0,177	119	0,2598603
104,93	103,26	0,178	0,177	120	0,2564872
103,65	102,44	0,177	0,177	121	0,2588695
103,47	102,15	0,177	0,177	122	0,2592665
105,57	104,07	0,177	0,177	123	0,25429
101,41	100,02	0,177	0,177	124	0,2649425
104,00	102,55	0,178	0,177	125	0,2584739
104,20	102,70	0,178	0,177	126	0,2574802
104,61	103,15	0,178	0,177	127	0,2564813

							Average
							0,260
Average	Average	Average	#1st Hr	#1	#2		
100,85	100,83	100,39	System 1st Hr	System 1	System 2		SQRT
Proportional Rates			Vol.Std.	Vol.Std.	Vol.Std.		Delta-P
PR1st Hr	PR1	PR2				Time	
%	%	%	(ft3)	(ft3)	(ft3)	min	(in H2O)2
			0,182	0,177	0,177	0	0,2598584
102,38	103,40	103,06	0,181	0,177	0,177	1	0,2545738
98,89	99,84	99,58	0,181	0,177	0,177	2	0,2639717
100,72	101,35	101,24	0,181	0,177	0,177	3	0,2598594
101,47	102,28	101,83	0,181	0,177	0,176	4	0,2586261
103,63	104,56	104,53	0,181	0,177	0,177	5	0,2532719
104,28	105,01	104,72	0,181	0,177	0,177	6	0,2526526
102,62	103,51	103,20	0,181	0,177	0,176	7	0,2560358
104,11	104,91	105,00	0,181	0,177	0,177	8	0,2526484
104,07	104,98	104,71	0,181	0,177	0,177	9	0,2526484
103,89	105,01	104,76	0,180	0,177	0,177	10	0,2522455
102,45	103,48	103,13	0,180	0,177	0,177	11	0,2554791
101,14	102,28	101,76	0,180	0,177	0,176	12	0,2587028
101,11	102,04	101,90	0,181	0,177	0,176	13	0,2592664
101,36	102,39	102,11	0,181	0,177	0,177	14	0,258474
104,08	105,21	104,61	0,180	0,177	0,176	15	0,2515757
101,83	102,90	102,67	0,180	0,177	0,176	16	0,2570815
101,69	102,75	102,40	0,180	0,177	0,177	17	0,2574804
104,26	105,56	104,92	0,180	0,177	0,176	18	0,2509185
98,75	99,96	99,41	0,180	0,177	0,176	19	0,2649454
101,97	103,15	102,51	0,180	0,177	0,176	20	0,256476
100,90	102,01	101,47	0,180	0,177	0,176	21	0,259267
100,45	101,72	101,31	0,180	0,177	0,176	22	0,2598728
100,98	102,18	101,64	0,180	0,177	0,176	23	0,258476
100,81	102,13	101,42	0,180	0,177	0,176	24	0,2588692
100,58	102,01	101,34	0,180	0,178	0,176	25	0,259269
102,24	103,40	102,81	0,180	0,177	0,176	26	0,2550743
98,73	99,84	99,43	0,180	0,177	0,176	27	0,2639188
100,29	101,41	100,80	0,180	0,177	0,176	28	0,259862
97,99	99,19	98,41	0,180	0,177	0,176	29	0,2659142
100,67	101,73	101,07	0,180	0,177	0,176	30	0,2586374
99,27	100,27	99,75	0,181	0,177	0,176	31	0,2622453
100,37	101,45	100,67	0,181	0,177	0,176	32	0,2592697
100,85	101,92	101,25	0,180	0,177	0,176	33	0,2578809
99,05	100,17	99,48	0,180	0,177	0,176	34	0,2626128
100,14	101,27	100,45	0,181	0,177	0,176	35	0,2598578
100,08	101,20	100,44	0,181	0,177	0,176	36	0,2598653
98,48	99,56	98,78	0,180	0,177	0,176	37	0,2639297
101,16	102,36	101,57	0,181	0,177	0,176	38	0,2570782
102,27	103,48	102,97	0,181	0,177	0,176	39	0,254079
101,22	102,39	101,48	0,180	0,177	0,176	40	0,2564856
100,80	101,92	101,23	0,180	0,177	0,176	41	0,2577237
99,90	101,09	100,26	0,180	0,177	0,176	42	0,2598535
100,17	101,23	100,52	0,180	0,177	0,176	43	0,2592701
99,50	100,84	99,82	0,180	0,177	0,176	44	0,2604041
100,31	101,63	100,94	0,180	0,177	0,176	45	0,2585158
100,01	101,35	100,56	0,180	0,177	0,176	46	0,2588779
100,12	101,27	100,61	0,181	0,177	0,176	47	0,2592702
98,66	99,83	99,07	0,180	0,177	0,176	48	0,2628589
99,71	100,95	100,13	0,180	0,177	0,176	49	0,2598661
99,05	100,54	99,55	0,180	0,177	0,176	50	0,261244
98,60	99,99	99,15	0,180	0,178	0,176	51	0,2626145
102,50	103,90	102,84	0,180	0,177	0,176	52	0,2526764
100,86	102,06	101,30	0,180	0,177	0,176	53	0,2570717



100,70	101,95	101,33	0,180	0,177	0,176	54	0,2574852
98,26	99,51	98,64	0,180	0,177	0,176	55	0,2635903
101,65	102,89	101,92	0,180	0,177	0,176	56	0,2551768
97,95	99,15	98,47	0,180	0,177	0,176	57	0,2645599
100,91	101,96	101,14	0,181	0,177	0,176	58	0,2572086
99,35	100,62	99,84	0,180	0,177	0,176	59	0,2607741
	101,08	100,07		0,177	0,176	60	0,2597783
	102,14	101,28		0,177	0,176	61	0,2564885
	99,35	98,51		0,177	0,176	62	0,2635897
	100,49	100,06		0,177	0,176	63	0,2606832
	101,61	101,07		0,177	0,176	64	0,2578785
	101,43	100,45		0,178	0,176	65	0,2588759
	102,06	101,54		0,178	0,176	66	0,2564743
	102,21	101,50		0,177	0,176	67	0,2560764
	99,75	99,26		0,177	0,176	68	0,2622249
	101,48	100,93		0,177	0,176	69	0,257881
	99,59	99,21		0,177	0,177	70	0,262617
	100,56	100,08		0,177	0,177	71	0,2598694
	99,96	99,22		0,177	0,176	72	0,2616323
	100,41	100,04		0,177	0,176	73	0,2598638
	101,17	100,78		0,177	0,177	74	0,2585455
	101,24	100,49		0,178	0,177	75	0,2584777
	99,39	98,96		0,178	0,177	76	0,2631979
	101,09	100,68		0,178	0,177	77	0,258595
	101,56	100,83		0,177	0,176	78	0,2574818
	99,47	99,11		0,177	0,176	79	0,2626141
	99,56	98,86		0,177	0,176	80	0,2625429
	100,24	99,84		0,177	0,176	81	0,2608182
	101,64	100,96		0,177	0,176	82	0,2570839
	99,01	98,78		0,177	0,176	83	0,2635879
	99,51	99,26		0,177	0,177	84	0,2624258
	101,13	100,60		0,178	0,177	85	0,2588917
	101,24	100,60		0,178	0,177	86	0,2584738
	99,27	98,65		0,178	0,177	87	0,2635859
	98,99	98,53		0,178	0,177	88	0,2642101
	98,97	98,74		0,178	0,177	89	0,2639801
	100,96	100,76		0,177	0,177	90	0,2588725
	101,27	100,87		0,177	0,177	91	0,2578777
	99,85	99,29		0,177	0,177	92	0,2618453
	100,20	99,73		0,178	0,177	93	0,2608463
	99,59	99,31		0,177	0,177	94	0,2622197
	100,88	100,78		0,177	0,177	95	0,2592681
	99,89	99,55		0,178	0,177	96	0,2616302
	101,78	101,50		0,178	0,177	97	0,2564831
	100,42	99,97		0,177	0,177	98	0,259861
	99,85	99,68		0,177	0,177	99	0,2615691
	100,30	99,82		0,178	0,177	100	0,2608651
	99,17	98,80		0,178	0,177	101	0,2635832
	101,58	101,29		0,178	0,177	102	0,2571576
	99,97	99,52		0,178	0,177	103	0,2615539
	99,09	98,63		0,178	0,177	104	0,2639722
	101,78	101,18		0,178	0,177	105	0,2570799
	99,86	99,58		0,178	0,177	106	0,2616294
	99,20	99,07		0,177	0,177	107	0,2626034
	100,63	100,27		0,177	0,177	108	0,2592666
	101,98	101,79		0,177	0,177	109	0,2560789
	101,55	101,12		0,178	0,177	110	0,2574463
	100,47	99,99		0,178	0,177	111	0,2598565
	100,57	100,48		0,177	0,177	112	0,2592636
	99,47	99,15		0,178	0,177	113	0,2626079
	101,01	100,74		0,178	0,177	114	0,2579383

99,27	98,95	0,177	0,177	115	0,2626066
99,75	99,31	0,178	0,177	116	0,2616284
99,78	99,56	0,177	0,177	117	0,2612009
101,23	101,12	0,177	0,177	118	0,2574801
99,77	99,47	0,177	0,177	119	0,2612364
101,28	100,63	0,178	0,177	120	0,2578747
99,11	98,76	0,178	0,177	121	0,2631817
101,44	101,02	0,178	0,177	122	0,2570801
101,70	101,44	0,178	0,177	123	0,2564813
99,94	99,45	0,178	0,177	124	0,2610426
100,89	100,65	0,178	0,177	125	0,2584806
99,56	99,12	0,177	0,177	126	0,2616262
102,59	102,33	0,177	0,177	127	0,2540656
100,67	100,24	0,178	0,177	128	0,25911
99,37	98,97	0,178	0,177	129	0,2621992
101,05	101,03	0,177	0,177	130	0,2578736
100,53	100,14	0,178	0,177	131	0,2592632
100,44	100,10	0,177	0,177	132	0,2592625
101,35	100,85	0,178	0,177	133	0,2574819
100,50	100,22	0,178	0,177	134	0,2593214
98,93	98,93	0,177	0,177	135	0,2632331
100,70	100,48	0,177	0,177	136	0,2584386
98,49	98,08	0,178	0,177	137	0,2649373
101,25	101,08	0,178	0,177	138	0,2573091
100,54	100,60	0,177	0,177	139	0,2584638
101,41	101,04	0,177	0,177	140	0,2570747
100,58	100,34	0,178	0,177	141	0,2588659
99,35	98,79	0,178	0,177	142	0,2625804
101,27	100,96	0,178	0,177	143	0,2570874
99,22	99,00	0,178	0,177	144	0,2626016
99,49	99,22	0,178	0,177	145	0,2616257
99,31	98,97	0,177	0,177	146	0,2622127
98,81	98,34	0,178	0,177	147	0,2639869
99,32	98,82	0,178	0,177	148	0,2626015
102,07	101,80	0,178	0,177	149	0,2555678
101,29	100,85	0,178	0,177	150	0,2575352
101,05	100,81	0,178	0,177	151	0,2574857
98,84	98,30	0,177	0,177	152	0,2635786
98,58	98,13	0,178	0,177	153	0,2645497
100,79	100,54	0,178	0,177	154	0,2584697
98,84	98,57	0,178	0,177	155	0,2635761
97,32	97,20	0,178	0,177	156	0,2676368
100,69	100,29	0,178	0,177	157	0,2588943
97,98	97,37	0,178	0,177	158	0,2662878
100,57	100,27	0,178	0,177	159	0,2592606
100,61	100,35	0,178	0,177	160	0,2592591
99,94	99,88	0,177	0,177	161	0,2606253
100,56	100,33	0,177	0,177	162	0,2592509
100,72	100,29	0,177	0,177	163	0,2588644
101,57	101,54	0,178	0,177	164	0,257075
100,42	100,20	0,178	0,177	165	0,2598514
101,38	101,20	0,178	0,177	166	0,2574679
100,19	100,05	0,177	0,177	167	0,2598512
100,80	100,41	0,178	0,177	168	0,2592596
99,20	98,95	0,178	0,177	169	0,2631903
99,47	99,16	0,178	0,177	170	0,2626068
99,87	99,56	0,178	0,177	171	0,2616221
99,21	98,95	0,178	0,177	172	0,2631943
100,06	99,89	0,178	0,177	173	0,2608633
100,88	100,59	0,178	0,177	174	0,2588637
100,23	99,74	0,178	0,177	175	0,2608377

100,87	100,16	0,178	0,177	176	0,2592587
100,72	100,50	0,178	0,177	177	0,2592785
100,57	100,24	0,178	0,177	178	0,2596377
100,95	100,54	0,178	0,177	179	0,2585393
101,65	101,54	0,178	0,177	180	0,2565487
99,43	99,07	0,178	0,177	181	0,26221
100,38	100,24	0,178	0,177	182	0,2600001
99,44	99,07	0,178	0,177	183	0,2621684
98,39	98,05	0,178	0,177	184	0,2649271
99,39	99,21	0,178	0,177	185	0,262212
99,39	99,15	0,178	0,177	186	0,2622103
98,07	97,77	0,178	0,177	187	0,2658482
100,49	100,22	0,178	0,177	188	0,2592626

## APPENDIX 3: Calibration data

## TEST DATA PACKAGE

CLIENT	USSC	PROJECT NUMBER	PI-20283
PRODUCT	Wood heater	SAMPLE ID#	QI-20437
MODEL	US1100E		
STANDARDS	EPA, ASMT3053, ASTM2515-11, EPA ATM		

### TEST EQUIPMENT

ITEM	EQUIPMENT TYPE	MANUFACTURER	EQUIPMENT #	CALIBRATION DUE DATE	COMPLIES WITH STANDARD REQUIREMENTS
1	Digital Manometer	Dwyer	EM-006	2023 May	Y
2	Digital Manometer	Dwyer	EM-249	2023 May	Y
3	Data acquisition System	Keithley	EM-147	2023 May	Y
4	analytical scale 200gr.	Ohaus	EM-051	2023 April	Y
5	Weight 2kg	N/A	EM-090	2027 MARS	Y
6	Pitot tube	Dwyer	EM-296	Verif. before use	Y
7	Scale 0-1000lbs Rough Deck	Rice lake	EM-114 / EM-137	2024 January	Y
8	Gas analyzer	Siemen's	EM-118	Verification before use	Y
9	Vacuum gauge	Dwyer	EM-126	2023 May	Y
10	Vacuum gauge	Dwyer	EM-127	2023 May	Y
11	Calibration weight 100mg	Troemer	EM-335	2027-March	y
12	Calibration weight 200g	Troemer	EM-129	2027 March	Y
13	Temperature humidity meter	Fluke	EM-136	2023 May	Y
14	Digital manometer	Dwyer	EM 313	2023 May	Y
15	Measuring tape	Stanley	EM-224	2023May	Y
16	Chronometer	Extech	EM-175	2023 December	Y
17	Dry gas meter	Shinagawa	EM-178	2023 July	Y
18	Dry gas meter	Shinagawa	EM-179	2023 July	Y
19	Dry gas meter	Shinagawa	EM-318	2023 July	Y
20	Dry gas meter	Am. meter	EM-130	2023 July	Y
21	Calibration gas	Praxair	EM-336	2030	Y
22	Calibration gas	Praxair	EM-338	2030	Y
23	Thermometer	Fluke	EM-001	2023 May	Y
24	20 ch. card Thermocouple	Keithley	EM-015	2023 may	Y
25	20 ch. card Thermocouple	Keithley	EM-154	2023 may	Y
26	Barometer	Control company	EM 333	2024 january	Y
27	Hot wire	testo	EM 332	2024 January	Y
28	Weight 10kg	N/A	EM-205	2026 MARS	Y
29	Calibration block	Delmhorst	EM-334	2024 January	Y



**Instrumentation  
Saint-Laurent** inc.  
Certified ISO 17025



80 rue de la montagne  
St-Joseph du lac  
(Québec), J0N 1M0  
Phone: (450) 473-6169  
Fax: (450) 473-5207  
Email: inst.st-laurent@videotron.ca

## CALIBRATION CERTIFICATE

<b>CERTIFICATE #</b>		<b>CE-EM-001 2022-05-10</b>	
<b>CLIENT</b>		<b>CALIBRATION SPECIFICATION</b>	
<b>Company:</b>	Services Polytests Inc	<b>Service Procedure:</b>	4IN9105
<b>Address:</b>	695 B rue Gaudette	<b>Required Accuracy:</b>	+/- 2.0°C
	St-Jean-sur-Richelieu, Québec, J3B 7S7	<b>Calibration Frequency:(days)</b>	365
<b>INSTRUMENT SPECIFICATION</b>			
<b>Instrument Type:</b>	Indicator	<b>Input Type:</b>	Temp
<b>Manufacturer:</b>	Fluke	<b>Output Type:</b>	Digitale
<b>Model #:</b>	52-II	<b>Measurement Type:</b>	Temperature
<b>Serial #:</b>	90630037	<b>Range:</b>	Divers
<b>Location:</b>	N.A.	<b>Version:</b>	
<b>CALIBRATORS SPECIFICATION</b>			
<b>Calibrator:</b>	Fluke 744	<b>Certification #:</b>	2022003082
<b>Serial #:</b>	8180008	<b>Certification Date:</b>	2022-04-12
<b>Certified by:</b>	Alpha Controls	<b>Next Certification:</b>	2023-04-12
<b>Comments:</b>			





**Instrumentation  
Saint-Laurent** inc.  
Certified ISO 17025



80 rue de la montagne  
St-Joseph du lac  
(Québec), J0N 1M0  
Phone: (450) 473-6169  
Fax: (450) 473-5207  
Email: inst.st-laurent@videotron.ca

# CALIBRATION CERTIFICATE

**CERTIFICATE #** CE-EM-001 2022-05-10

CALIBRATION RESULTS						
Entry Source	Given Value	Actual Value	Deviation Error	After Calib Value	Accuracy	Uncertainty
Conformity	Comment					
0.0 °C	0.0 °C	0.1 °C	+0.1 °C	0.1 °C	+/- 2.0 °C	0.2 °C
Compliant	T1 typeJ					
125.0 °C	125.0 °C	125.1 °C	+0.1 °C	125.1 °C	+/- 2.0 °C	0.2 °C
Compliant	T1 typeJ					
250.0 °C	250.0 °C	250.1 °C	+0.1 °C	250.1 °C	+/- 2.0 °C	0.2 °C
Compliant	T1 typeJ					
375.0 °C	375.0 °C	375.1 °C	+0.1 °C	375.1 °C	+/- 2.0 °C	0.2 °C
Compliant	T1 typeJ					
500.0 °C	500.0 °C	500.1 °C	+0.1 °C	500.1 °C	+/- 2.0 °C	0.2 °C
Compliant	T1 typeJ					
0.0 °C	0.0 °C	0.2 °C	+0.2 °C	0.2 °C	+/- 2 °C	0.2 °C
Compliant	T2 typeJ					
125.0 °C	125.0 °C	125.1 °C	+0.1 °C	125.1 °C	+/- 2 °C	0.2 °C
Compliant	T2 typeJ					
250.0 °C	250.0 °C	250.1 °C	+0.1 °C	250.1 °C	+/- 2.0 °C	0.2 °C
Compliant	T2 typeJ					
375.0 °C	375.0 °C	375.1 °C	+0.1 °C	375.1 °C	+/- 2.0 °C	0.2 °C
Compliant	T2 typeJ					
500.0 °C	500.0 °C	500.1 °C	+0.1 °C	500.1 °C	+/- 2.0 °C	0.2 °C
Compliant	T2 typeJ					
0.0 °C	0.0 °C	0.2 °C	+0.2 °C	0.2 °C	+/- 2.0 °C	0.3 °C
Compliant	T1 typeK					
125.0 °C	125.0 °C	125.2 °C	+0.2 °C	125.2 °C	+/- 2.0 °C	0.3 °C
Compliant	T1 typeK					
250.0 °C	250.0 °C	250.1 °C	+0.1 °C	250.1 °C	+/- 2.0 °C	0.3 °C
Compliant	T1 typeK					
375.0 °C	375.0 °C	375.1 °C	+0.1 °C	375.1 °C	+/- 2.0 °C	0.3 °C
Compliant	T1 typeK					
500.0 °C	500.0 °C	500.1 °C	+0.1 °C	500.1 °C	+/- 2.0 °C	0.3 °C
Compliant	T1 typeK					
0.0 °C	0.0 °C	0.3 °C	+0.3 °C	0.3 °C	+/- 2.0 °C	0.3 °C
Compliant	T2 typeK					
125.0 °C	125.0 °C	125.2 °C	+0.2 °C	125.2 °C	+/- 2.0 °C	0.3 °C
Compliant	T2 typeK					
250.0 °C	250.0 °C	250.2 °C	+0.2 °C	250.2 °C	+/- 2.0 °C	0.3 °C
Compliant	T2 typeK					
375.0 °C	375.0 °C	375.2 °C	+0.2 °C	375.2 °C	+/- 2.0 °C	0.3 °C
Compliant	T2 typeK					





**Instrumentation  
Saint-Laurent** inc.  
Certified ISO 17025



80 rue de la montagne  
St-Joseph du lac  
(Québec), J0N 1M0  
Phone: (450) 473-6169  
Fax: (450) 473-5207  
Email: inst.st-laurent@videotron.ca

## CALIBRATION CERTIFICATE

<b>CERTIFICATE #</b>	<b>CE-EM-001 2022-05-10</b>
----------------------	-----------------------------

CALIBRATION RESULTS						
Entry Source	Given Value	Actual Value	Deviation Error	After Calib Value	Accuracy	Uncertainty
500.0 °C	500.0 °C	500.1 °C	+0.1 °C	500.1 °C	+/- 2.0 °C	1.0 °C
Conformity	Comment					
Compliant	T2 typeK					

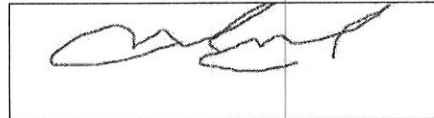
<b>Environmental Conditions:</b>	Temperature: 21 °C	Humidity: 41 %RH
<b>Comments:</b>		

CALIBRATION DATE/ISSUANCE OF CERTIFICATE	
<b>Calibration Date:</b>	2022-05-10
<b>Next Calibration:</b>	2023-05-10
<b>Certificate Date:</b>	2022-05-10

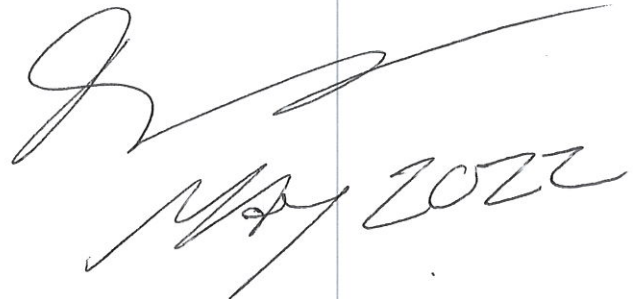
CALIBRATION CONFORMITY		
	Before	After
<b>Compliant:</b>	X	X
<b>Non Compliant:</b>		

- ▣ Instrumentation St. Laurent Inc. Certify that the above instrument, meets or exceeds the specifications established by the manufacturer. The company's quality system complies with the requirements of ISO 17025 :2017 and the standards used to perform the calibration is traceable to NRC and / or NIST.
- ▣ Reported uncertainties represent a 95 % of confidence level assuming a normal distribution k=2.
- ▣ The declaration of conformity does not include Instrumentation St-Laurent Inc. uncertainty measurement. Decision rule is based on binary statement for simple acceptance rule against ILAC G8 standard and test tolerance limits are based on customer specifications, unless otherwise specified.
- ▣ The results presented in this certificate relate only to objects subject to calibration.
- ▣ It is the customer's responsibility to ensure that calibrated equipment meets its intended use.
- ▣ The date format used in this certificate is: YYYY-MM-DD.

Assessment Service Calibration Laboratory (ASCL) of the National Research Council of Canada (NRC) has assessed and certified calibration laboratory's ability and traceability to the International System of Units (SI) or to standards acceptable according to ASCL. This calibration certificate is issued in accordance with the terms of ASCL certification and accreditation requirements of the Standards Council of Canada (SCC). SCC accreditation number: # 669. ASCL and SCC does not guarantee the accuracy of individual calibrations by accredited laboratories.

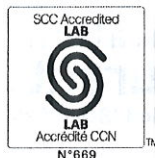


Marco Miron - Technicien





**Instrumentation  
Saint-Laurent**<sub>inc.</sub>  
Certified ISO 17025



80 rue de la montagne  
St-Joseph du lac  
(Québec), J0N 1M0  
Phone: (450) 473-6169  
Fax: (450) 473-5207  
Email: inst.st-laurent@videotron.ca

## CALIBRATION CERTIFICATE

<b>CERTIFICATE #</b>	<b>CE-EM-006 2022-05-10</b>
----------------------	-----------------------------

CLIENT		CALIBRATION SPECIFICATION	
<b>Company:</b>	Services Polytests Inc	<b>Service Procedure:</b>	4IN9106
<b>Address:</b>	695 B rue Gaudette	<b>Required Accuracy:</b>	+/-0.25"H2O
	St-Jean-sur-Richelieu, Québec, J3B 7S7	<b>Calibration Frequency:(days)</b>	365

INSTRUMENT SPECIFICATION			
<b>Instrument Type:</b>	Indicator	<b>Input Type:</b>	Pression
<b>Manufacturer:</b>	Dwyer	<b>Output Type:</b>	Digitale
<b>Model #:</b>	MS-321-LCD	<b>Measurement Type:</b>	Pressure
<b>Serial #:</b>	E47U020014	<b>Range:</b>	0-0.5"H2O
<b>Location:</b>	N.A.	<b>Version:</b>	

CALIBRATORS SPECIFICATION			
<b>Calibrator:</b>	Fluke Pression	<b>Certification #:</b>	2021008414
<b>Serial #:</b>	3330050	<b>Certification Date:</b>	2021-11-22
<b>Certified by:</b>	Alpha Controls	<b>Next Certification:</b>	2022-11-22
<b>Comments:</b>			
<b>Calibrator:</b>	Fluke 744	<b>Certification #:</b>	2022001379
<b>Serial #:</b>	8223003	<b>Certification Date:</b>	2022-02-18
<b>Certified by:</b>	Alpha Controls	<b>Next Certification:</b>	2022-05-18
<b>Comments:</b>			





# CALIBRATION CERTIFICATE

<b>CERTIFICATE #</b>	<b>CE-EM-006 2022-05-10</b>
----------------------	-----------------------------

CALIBRATION RESULTS						
Entry Source	Given Value	Actual Value	Deviation Error	After Calib Value	Accuracy	Uncertainty
<b>Conformity</b>	<b>Comment</b>					
0.0000 "H2O	0.000 "H2O	-0.012 "H2O	-0.012 "H2O	-0.012 "H2O	+/-0.25 "H2O	0.10 "H2O
Compliant	Verification of the indicator					
0.2500 "H2O	0.250 "H2O	0.237 "H2O	-0.013 "H2O	0.237 "H2O	+/-0.25 "H2O	0.10 "H2O
Compliant	Verification of the indicator					
0.5000 "H2O	0.500 "H2O	0.488 "H2O	-0.012 "H2O	0.488 "H2O	+/-0.25 "H2O	0.10 "H2O
Compliant	Verification of the indicator					
0.7500 "H2O	0.750 "H2O	0.742 "H2O	-0.008 "H2O	0.742 "H2O	+/-0.25 "H2O	0.10 "H2O
Compliant	Verification of the indicator					
1.0000 "H2O	1.000 "H2O	0.989 "H2O	-0.011 "H2O	0.989 "H2O	+/-0.25 "H2O	0.10 "H2O
Compliant	Verification of the indicator					
0.0000 "H2O	0.0000 V.DC.	0.0004 V.DC.	+0.0004 V.DC.	0.0004 V.DC.	+/-0.25 V.DC.	0.5 V.DC.
Compliant	Verification of the analogic output					
0.2500 "H2O	2.5000 V.DC.	2.3569 V.DC.	-0.1431 V.DC.	2.3569 V.DC.	+/-0.25 V.DC.	0.5 V.DC.
Compliant	Verification of the analogic output					
0.5000 "H2O	5.0000 V.DC.	4.9466 V.DC.	-0.0534 V.DC.	4.9466 V.DC.	+/-0.25 V.DC.	0.5 V.DC.
Compliant	Verification of the analogic output					
0.7500 "H2O	7.5000 V.DC.	7.4342 V.DC.	-0.0658 V.DC.	7.4342 V.DC.	+/-0.25 V.DC.	0.5 V.DC.
Compliant	Verification of the analogic output					
1.0000 "H2O	10.0000 V.DC.	9.8526 V.DC.	-0.1474 V.DC.	9.8526 V.DC.	+/-0.25 V.DC.	0.5 V.DC.
Compliant	Verification of the analogic output					


<b>Environmental Conditions:</b>	Temperature: N.A.	Humidity: N.A.
<b>Comments:</b>		

CALIBRATION DATE/ISSUANCE OF CERTIFICATE	
<b>Calibration Date:</b>	2022-05-10
<b>Next Calibration:</b>	2023-05-10
<b>Certificate Date:</b>	2022-05-10

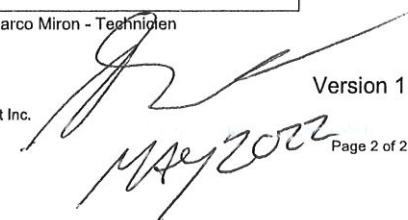
CALIBRATION CONFORMITY		
	Before	After
<b>Compliant:</b>	X	X
<b>Non Compliant:</b>		

- Instrumentation St. Laurent Inc. Certify that the above instrument, meets or exceeds the specifications established by the manufacturer. The company's quality system complies with the requirements of ISO 17025 :2017 and the standards used to perform the calibration is traceable to NRC and / or NIST.
- Reported uncertainties represent a 95 % of confidence level assuming a normal distribution k=2.
- The declaration of conformity does not include Instrumentation St-Laurent Inc. uncertainty measurement. Decision rule is based on binary statement for simple acceptance rule against ILAC G8 standard and test tolerance limits are based on customer specifications, unless otherwise specified.
- The results presented in this certificate relate only to objects subject to calibration.
- It is the customer's responsibility to ensure that calibrated equipment meets its intended use.
- The date format used in this certificate is: YYYY-MM-DD.

Assessment Service Calibration Laboratory (ASCL) of the National Research Council of Canada (NRC) has assessed and certified calibration laboratory's ability and traceability to the International System of Units (SI) or to standards acceptable according to ASCL. This calibration certificate is issued in accordance with the terms of ASCL certification and accreditation requirements of the Standards Council of Canada (SCC). SCC accreditation number: # 669. ASCL and SCC does not guarantee the accuracy of individual calibrations by accredited laboratories.



Marco Miron - Technicien

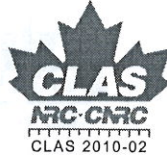


Version 1





**Instrumentation  
Saint-Laurent** inc.  
Certified ISO 17025



80 rue de la montagne  
St-Joseph du lac  
(Québec), J0N 1M0  
Phone: (450) 473-6169  
Fax: (450) 473-5207  
Email: inst.st-laurent@videotron.ca

## CALIBRATION CERTIFICATE

<b>CERTIFICATE #</b>	<b>CE-EM-015/2 2022-11-21</b>
----------------------	-------------------------------

CALIBRATION RESULTS						
Entry Source	Given Value	Actual Value	Deviation Error	After Calib Value	Accuracy	Uncertainty
Conformity	Comment					
662.0 °F	662.0 °F	665.5 °F	+3.5 °F	665.5 °F	+/- 4.0 °F	+/- 0.5 °F
Compliant	ID. No. 201 (Flue) en type "K" En Loop avec EM-015					
482.0 °F	482.0 °F	481.6 °F	-0.4 °F	481.6 °F	+/- 4.0 °F	+/- 0.5 °F
Compliant	ID. No. 202 (Right) en type "K" En Loop avec EM-015					
482.0 °F	482.0 °F	481.3 °F	-0.7 °F	481.3 °F	+/- 4.0 °F	+/- 0.5 °F
Compliant	ID. No. 203 (Back) en type "K" En Loop avec EM-015					
482.0 °F	482.0 °F	480.8 °F	-1.2 °F	480.8 °F	+/- 4.0 °F	+/- 0.5 °F
Compliant	ID. No. 204 (Bottom) en type "K" En Loop avec EM-015					
482.0 °F	482.0 °F	480.8 °F	-1.2 °F	480.8 °F	+/- 4.0 °F	+/- 0.5 °F
Compliant	ID. No. 205 (Top) en type "K" En Loop avec EM-015					
482.0 °F	482.0 °F	480.5 °F	-1.5 °F	480.5 °F	+/- 4.0 °F	+/- 0.5 °F
Compliant	ID. No. 206 (Left) en type "K" En Loop avec EM-015					
662.0 °F	662.0 °F	662.4 °F	+0.4 °F	662.4 °F	+/- 4.0 °F	+/- 0.5 °F
Compliant	ID. No. 208 (Catalyst down) en type "K" En Loop avec EM-015					
77.0 °F	77.0 °F	76.9 °F	-0.1 °F	76.9 °F	+/- 4.0 °F	+/- 0.4 °F
Compliant	ID. No. 215 (DGM 1 In) en type "J" En Loop avec EM-015					
77.0 °F	77.0 °F	76.8 °F	-0.2 °F	76.8 °F	+/- 4.0 °F	+/- 0.4 °F
Compliant	ID. No. 216 (DGM 1 Out) en type "J" En Loop avec EM-015					
77.0 °F	77.0 °F	76.8 °F	-0.2 °F	76.8 °F	+/- 4.0 °F	+/- 0.4 °F
Compliant	ID. No. 217 (DGM 2 In) en type "J" En Loop avec EM-015					
77.0 °F	77.0 °F	76.9 °F	-0.1 °F	76.9 °F	+/- 4.0 °F	+/- 0.4 °F
Compliant	ID. No. 218 (DGM 2 Out) en type "J" En Loop avec EM-015					

<b>Environmental Conditions:</b>	Temperature: 21 °C	Humidity: 41 %RH
<b>Comments:</b>		

CALIBRATION DATE/ISSUANCE OF CERTIFICATE	
<b>Calibration Date:</b>	2022-11-21
<b>Next Calibration:</b>	2023-05-21
<b>Certificate Date:</b>	2022-11-21

CALIBRATION CONFORMITY		
	Before	After
<b>Compliant:</b>	X	X
<b>Non Compliant:</b>		

- ▣ Instrumentation St. Laurent Inc. Certify that the above instrument, meets or exceeds the specifications established by the manufacturer. The company's quality system complies with the requirements of ISO 17025 :2017 and the standards used to perform the calibration is traceable to NRC and / or NIST.
- ▣ Reported uncertainties represent a 95 % of confidence level assuming a normal distribution k=2.
- ▣ The declaration of conformity does not include Instrumentation St-Laurent Inc. uncertainty measurement. Decision rule is based on binary statement for simple acceptance rule against ILAC G8 standard and test tolerance limits are based on customer specifications, unless otherwise specified.
- ▣ The results presented in this certificate relate only to objects subject to calibration.
- ▣ It is the customer's responsibility to ensure that calibrated equipment meets its intended use.
- ▣ The date format used in this certificate is: YYYY-MM-DD.



**Instrumentation  
Saint-Laurent** inc.  
Certified ISO 17025



80 rue de la montagne  
St-Joseph du lac  
(Québec), J0N 1M0  
Phone: (450) 473-6169  
Fax: (450) 473-5207  
Email: inst.st-laurent@videotron.ca

## CALIBRATION CERTIFICATE

<b>CERTIFICATE #</b>		CE-EM-015/2 2022-11-21	
<b>CLIENT</b>		<b>CALIBRATION SPECIFICATION</b>	
<b>Company:</b>	Services Polytests Inc	<b>Service Procedure:</b>	4IN9101
<b>Address:</b>	695 B rue Gaudette	<b>Required Accuracy:</b>	+/- 4.0°F
	St-Jean-sur-Richelieu, Québec, J3B 7S7	<b>Calibration Frequency:(days)</b>	181
<b>INSTRUMENT SPECIFICATION</b>			
<b>Instrument Type:</b>	Recorder	<b>Input Type:</b>	Temp
<b>Manufacturer:</b>	Keithley	<b>Output Type:</b>	Digitale
<b>Model #:</b>	7700	<b>Measurement Type:</b>	Temperature
<b>Serial #:</b>	1213648	<b>Range:</b>	Divers
<b>Location:</b>	N/A	<b>Version:</b>	<b>Machine: N.A.</b>
<b>CALIBRATORS SPECIFICATION</b>			
<b>Calibrator:</b>	AMS Fluke 744	<b>Certification #:</b>	CE-8180008 2022-10-18
<b>Serial #:</b>	8180008	<b>Certification Date:</b>	2022-10-18
<b>Certified by:</b>	Instrumentation st Laurent	<b>Next Certification:</b>	2023-01-18
<b>Comments:</b>			
<b>Calibrator:</b>	TCN-22	<b>Certification #:</b>	TCN-22
<b>Serial #:</b>	TCN-22	<b>Certification Date:</b>	2022-10-09
<b>Certified by:</b>	ISL	<b>Next Certification:</b>	2023-01-07
<b>Comments:</b>			





Instrumentation  
**Saint-Laurent**<sup>inc.</sup>  
 Certified ISO 17025



80 rue de la montagne  
 St-Joseph du lac  
 (Québec), J0N 1M0  
 Phone: (450) 473-6169  
 Fax: (450) 473-5207  
 Email: inst.st-laurent@videotron.ca

## CALIBRATION CERTIFICATE

<b>CERTIFICATE #</b>	<b>CE-EM-015/2 2022-11-21</b>
----------------------	-------------------------------

Assessment Service Calibration Laboratory (ASCL) of the National Research Council of Canada (NRC) has assessed and certified calibration laboratory's ability and traceability to the International System of Units (SI) or to standards acceptable according to ASCL. This calibration certificate is issued in accordance with the terms of ASCL certification and accreditation requirements of the Standards Council of Canada (SCC). SCC accreditation number: # 669. ASCL and SCC does not guarantee the accuracy of individual calibrations by accredited laboratories.

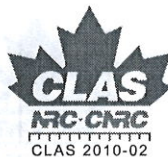


Marco Miron - Technicien

*[Handwritten Signature]*  
 2022-11-22



Instrumentation  
**Saint-Laurent** inc.  
 Certified ISO 17025



80 rue de la montagne  
 St-Joseph du lac  
 (Québec), J0N 1M0  
 Phone: (450) 473-6169  
 Fax: (450) 473-5207  
 Email: inst.st-laurent@videotron.ca

## CALIBRATION CERTIFICATE

<b>CERTIFICATE #</b>	<b>CE-EM-015 2022-05-11</b>
----------------------	-----------------------------

CLIENT		CALIBRATION SPECIFICATION	
<b>Company:</b>	Services Polytests Inc	<b>Service Procedure:</b>	4IN9101
<b>Address:</b>	695 B rue Gaudette	<b>Required Accuracy:</b>	+/- 2°C
	St-Jean-sur-Richelieu, Québec, J3B 7S7	<b>Calibration Frequency:(days)</b>	365

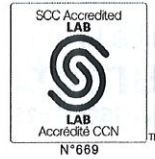
INSTRUMENT SPECIFICATION			
<b>Instrument Type:</b>	Recorder	<b>Input Type:</b>	Temp
<b>Manufacturer:</b>	Keithley	<b>Output Type:</b>	Digitale
<b>Model #:</b>	7700	<b>Measurement Type:</b>	Temperature
<b>Serial #:</b>	1213648	<b>Range:</b>	Divers
<b>Location:</b>	N/A	<b>Version:</b>	

CALIBRATORS SPECIFICATION			
<b>Calibrator:</b>	Fluke 744	<b>Certification #:</b>	2022003082
<b>Serial #:</b>	8180008	<b>Certification Date:</b>	2022-04-12
<b>Certified by:</b>	Alpha Controls	<b>Next Certification:</b>	2023-04-12
<b>Comments:</b>			





**Instrumentation  
Saint-Laurent** inc.  
Certified ISO 17025



80 rue de la montagne  
St-Joseph du lac  
(Québec), J0N 1M0  
Phone: (450) 473-6169  
Fax: (450) 473-5207  
Email: inst.st-laurent@videotron.ca

## CALIBRATION CERTIFICATE

<b>CERTIFICATE #</b>	<b>CE-EM-015 2022-05-11</b>
----------------------	-----------------------------

CALIBRATION RESULTS						
Entry Source	Given Value	Actual Value	Deviation Error	After Calib Value	Accuracy	Uncertainty
<b>Conformity</b>	<b>Comment</b>					
-190.0 °C	-190.0 °C	-190.0 °C	0.0 °C	190.0 °C	+/- 2.0 °C	+/- 0.4 °C
Compliant	Input#1TypeK					
0.0 °C	0.0 °C	0.0 °C	0.0 °C	0.0 °C	+/- 2.0 °C	+/- 0.3 °C
Compliant	Input#1TypeK					
750.0 °C	750.0 °C	750.0 °C	0.0 °C	750.0 °C	+/- 2.0 °C	+/- 0.3 °C
Compliant	Input#1TypeK					
100.0 °C	100.0 °C	100.0 °C	0.0 °C	100.0 °C	+/- 2.0 °C	+/- 0.3 °C
Compliant	Input#2 TypeK					
100.0 °C	100.0 °C	100.0 °C	0.0 °C	100.0 °C	+/- 2.0 °C	+/- 0.3 °C
Compliant	Input#3 TypeK					
100.0 °C	100.0 °C	100.0 °C	0.0 °C	100.0 °C	+/- 2.0 °C	+/- 0.3 °C
Compliant	Input#4 TypeK					
100.0 °C	100.0 °C	100.0 °C	0.0 °C	100.0 °C	+/- 2.0 °C	+/- 0.3 °C
Compliant	Input#5TypeK					
100.0 °C	100.0 °C	100.0 °C	0.0 °C	100.0 °C	+/- 2.0 °C	+/- 0.3 °C
Compliant	Input#6TypeK					
100.0 °C	100.0 °C	100.0 °C	0.0 °C	100.0 °C	+/- 2.0 °C	+/- 0.3 °C
Compliant	Input#7TypeK					
100.0 °C	100.0 °C	100.0 °C	0.0 °C	100.0 °C	+/- 2.0 °C	+/- 0.3 °C
Compliant	Input#8TypeK					
100.0 °C	100.0 °C	100.0 °C	0.0 °C	100.0 °C	+/- 2.0 °C	+/- 0.3 °C
Compliant	Input#9TypeK					
100.0 °C	100.0 °C	100.0 °C	0.0 °C	100.0 °C	+/- 2.0 °C	+/- 0.2 °C
Compliant	Input#10TypeJ					
100.0 °C	100.0 °C	100.1 °C	+0.1 °C	100.1 °C	+/- 2.0 °C	+/- 0.2 °C
Compliant	Input#11TypeJ					
100.0 °C	100.0 °C	100.1 °C	+0.1 °C	100.1 °C	+/- 2.0 °C	+/- 0.2 °C
Compliant	Input#12TypeJ					
100.0 °C	100.0 °C	100.1 °C	+0.1 °C	100.1 °C	+/- 2.0 °C	+/- 0.2 °C
Compliant	Input#13 TypeJ					
100.0 °C	100.0 °C	100.2 °C	+0.2 °C	100.2 °C	+/- 2.0 °C	+/- 0.2 °C
Compliant	Input#14TypeJ					
100.0 °C	100.0 °C	100.1 °C	+0.1 °C	100.1 °C	+/- 2.0 °C	+/- 0.2 °C
Compliant	Input#15 TypeJ					
100.0 °C	100.0 °C	100.2 °C	+0.2 °C	100.2 °C	+/- 2.0 °C	+/- 0.2 °C
Compliant	Input#16TypeJ					
100.0 °C	100.0 °C	100.2 °C	+0.2 °C	100.2 °C	+/- 2.0 °C	+/- 0.2 °C
Compliant	Input#17TypeJ					
100.0 °C	100.0 °C	100.2 °C	+0.2 °C	100.2 °C	+/- 2.0 °C	+/- 0.2 °C
Compliant	Input#18TypeJ					

Version 1





## CALIBRATION CERTIFICATE

<b>CERTIFICATE #</b>	<b>CE-EM-015 2022-05-11</b>
----------------------	-----------------------------

CALIBRATION RESULTS						
Entry Source	Given Value	Actual Value	Deviation Error	After Calib Value	Accuracy	Uncertainty
<b>Conformity</b>	<b>Comment</b>					
100.0 °C	100.0 °C	100.2 °C	+0.2 °C	100.2 °C	+/- 2.0 °C	+/- 0.2 °C
Compliant	Input#19TypeJ					
100.0 °C	100.0 °C	100.1 °C	+0.1 °C	100.1 °C	+/- 2.0 °C	+/- 0.2 °C
Compliant	Input#20TypeJ					
12.000 mA	12.000 mA	12.000 mA	0.000 mA	12.000 mA	+/- 0,100 mA	1.00 mA
Compliant	Input#21					
12.000 mA	12.000 mA	12.000 mA	0.000 mA	12.000 mA	+/- 0,100 mA	1.00 mA
Compliant	Input#22					


<b>Environmental Conditions:</b>	Temperature: 21 °C	Humidity: 42 %RH
<b>Comments:</b>	Test avec EM-147	

CALIBRATION DATE/ISSUANCE OF CERTIFICATE	
<b>Calibration Date:</b>	2022-05-11
<b>Next Calibration:</b>	2023-05-11
<b>Certificate Date:</b>	2022-05-11

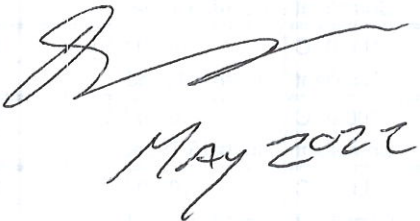
CALIBRATION CONFORMITY		
	Before	After
<b>Compliant:</b>	X	X
<b>Non Compliant:</b>		

- ▣ Instrumentation St. Laurent Inc. Certify that the above instrument, meets or exceeds the specifications established by the manufacturer. The company's quality system complies with the requirements of ISO 17025 :2017 and the standards used to perform the calibration is traceable to NRC and / or NIST.
- ▣ Reported uncertainties represent a 95 % of confidence level assuming a normal distribution k=2.
- ▣ The declaration of conformity does not include Instrumentation St-Laurent Inc. uncertainty measurement. Decision rule is based on binary statement for simple acceptance rule against ILAC G8 standard and test tolerance limits are based on customer specifications, unless otherwise specified.
- ▣ The results presented in this certificate relate only to objects subject to calibration.
- ▣ It is the customer's responsibility to ensure that calibrated equipment meets its intended use.
- ▣ The date format used in this certificate is: YYYY-MM-DD.

Assessment Service Calibration Laboratory (ASCL) of the National Research Council of Canada (NRC) has assessed and certified calibration laboratory's ability and traceability to the International System of Units (SI) or to standards acceptable according to ASCL. This calibration certificate is issued in accordance with the terms of ASCL certification and accreditation requirements of the Standards Council of Canada (SCC), SCC accreditation number: # 669. ASCL and SCC does not guarantee the accuracy of individual calibrations by accredited laboratories.



Marco Miron - Technicien





Instrumentation  
**Saint-Laurent**<sup>inc.</sup>  
 Certified ISO 17025



80 rue de la montagne  
 St-Joseph du lac  
 (Québec), J0N 1M0  
 Phone: (450) 473-6169  
 Fax: (450) 473-5207  
 Email: inst.st-laurent@videotron.ca

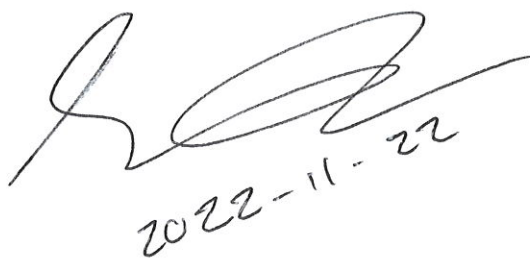
## CALIBRATION CERTIFICATE

<b>CERTIFICATE #</b>	<b>CE-EM-015/2 2022-11-21</b>
----------------------	-------------------------------

Assessment Service Calibration Laboratory (ASCL) of the National Research Council of Canada (NRC) has assessed and certified calibration laboratory's ability and traceability to the International System of Units (SI) or to standards acceptable according to ASCL. This calibration certificate is issued in accordance with the terms of ASCL certification and accreditation requirements of the Standards Council of Canada (SCC). SCC accreditation number: # 669. ASCL and SCC does not guarantee the accuracy of individual calibrations by accredited laboratories.



Marco Miron - Technicien





Mettler-Toledo Inc.  
Service Division  
1900 Polaris Parkway  
Columbus, OH 43240  
1-800-METTLER



Accredited by the American Association  
for Laboratory Accreditation (A2LA)  
CALIBRATION CERT #1788.01

ISO 17025 Accredited  
ANSI/NCSL Z540-1 Accredited

## Accuracy Calibration Certificate

### Customer

Company: Services Polytests  
Address: 695-B Rue Gaudette  
City: Saint-Jean-Sur-Richelieu Contact: Danick Power  
Zip / Postal: J3B 7S7  
State / Province: Quebec

### Weighing Device

Manufacturer: Ohaus Instrument Type: Weighing Instrument  
Model: AR2140 Asset Number: EM-051  
Serial No.: M3658329010091 Terminal Model: N/A  
Building: N/A Terminal Serial No.: N/A  
Floor: N/A Terminal Asset No.: N/A  
Room: N/A

Range	Max. Capacity	Readability (d)
1	210 g	0.0001 g

### Procedure

Calibration Guideline: ASTM E898 - 20  
METTLER TOLEDO Work Instruction: 30260953

This calibration certificate including procedures and uncertainty estimation also complies with EURAMET cg-18 v 4.0.

This calibration certificate contains measurements for As Found and As Left calibrations.

The sensitivity/span of the weighing instrument was adjusted before As Left calibration with an external weight.

	Temperature		Humidity	
	Start	End	Start	End
As Found	29.0 °C	29.0 °C	40.0 %	40.0 %
As Left	29.0 °C	29.0 °C	40.0 %	40.0 %

Environmental conditions have been verified to ensure the accuracy of the calibration.

This certificate is issued in accordance with the conditions of accreditation granted by A2LA, which is based on ISO/IEC 17025. A2LA has assessed the measurement capability of the laboratory and its traceability to recognized national standards.

As Found Calibration Date: 03-11-2022  
As Left Calibration Date: 03-11-2022  
Issue Date: 03-11-2022  
Requested Next Calibration Date: 31-05-2023

Authorized A2LA Signatory:

Kamel Mohand Kaci

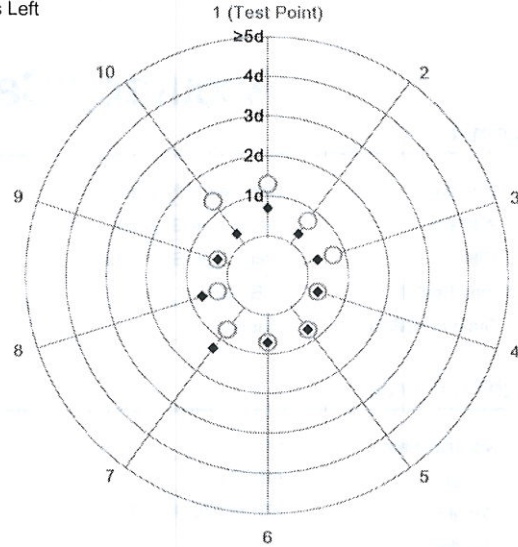
## Measurement Results

### Repeatability

Test Load: 100 g

	As Found	As Left
1	100.0014 g	100.0000 g
2	100.0012 g	99.9999 g
3	100.0012 g	99.9999 g
4	100.0013 g	99.9999 g
5	100.0012 g	100.0000 g
6	100.0012 g	100.0000 g
7	100.0012 g	99.9998 g
8	100.0013 g	100.0000 g
9	100.0013 g	99.9999 g
10	100.0014 g	99.9999 g

○ As Found  
◆ As Left



The "d" in the graph represents the readability of the range/interval in which the test was performed.

The results of this graph are based upon the absolute values of the differences from the mean value.

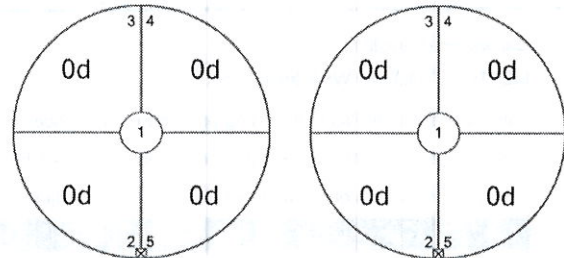
Standard Deviation	0.00008 g	0.00007 g
--------------------	-----------	-----------

### Eccentricity

Test Load: 100 g

Position	As Found	As Left
1	0.0000 g	0.0000 g
2	0.0000 g	0.0000 g
3	0.0000 g	0.0000 g
4	0.0000 g	0.0000 g
5	0.0000 g	0.0000 g

Maximum Deviation	0.0000 g	0.0000 g
-------------------	----------	----------



As Found

As Left

The "d" in the graph represents the readability of the range/interval in which the test was performed.

### Error of Indication

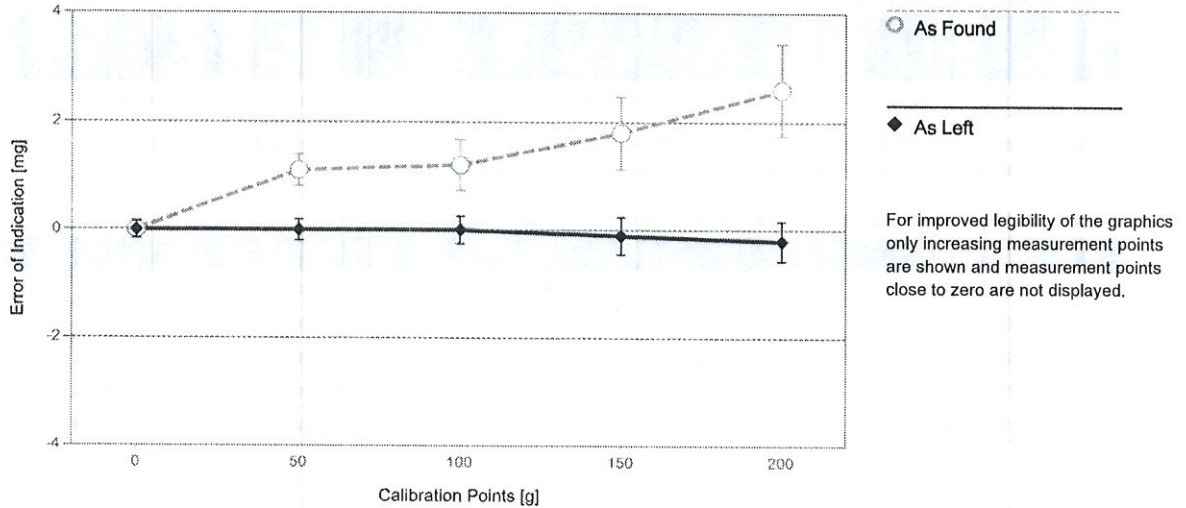
As Found

	Reference Value	Indication	Error of Indication	Expanded Uncertainty	k
1	0.0000 g	0.0000 g	0.0000 g	0.17 mg	2
2	50.0000 g	50.0011 g	0.0011 g	0.29 mg	2
3	100.0000 g	100.0012 g	0.0012 g	0.47 mg	2
4	150.0000 g	150.0018 g	0.0018 g	0.68 mg	2
5	200.0001 g	200.0027 g	0.0026 g	0.85 mg	2



**As Left**

	Reference Value	Indication	Error of Indication	Expanded Uncertainty	k
1	0.0000 g	0.0000 g	0.0000 g	0.15 mg	2
2	50.0000 g	50.0000 g	0.0000 g	0.19 mg	2
3	100.0000 g	100.0000 g	0.0000 g	0.25 mg	2
4	150.0000 g	149.9999 g	-0.0001 g	0.34 mg	2
5	200.0001 g	199.9999 g	-0.0002 g	0.36 mg	2



The uncertainty stated is the expanded uncertainty at calibration obtained by multiplying the standard combined uncertainty by the coverage factor  $k$  - which can be larger than 2 according to ASTM E898 and EURAMET cg-18. The value of the measurand lies within the assigned range of values with a probability of approximately 95%.

The user is responsible for maintaining environmental conditions and the settings of the weighing instrument when it was calibrated.

**Test Equipment**

All weights used for metrological testing are traceable to national or international standards. The weights were calibrated and certified by an accredited calibration laboratory.

**Weight Set 1: OIML E2**

Weight Set No.:	350	Date of Issue:	15-02-2022
Certificate Number:	220554739-1	Calibration Due Date:	28-02-2023

**Remarks**

Equivalent Mettler Toledo: AB204

**End of Accredited Section**

The information below and any attachments to this calibration certificate are not part of the accredited calibration.

**Measurement Uncertainty of the Weighing Instrument in Use**

Stated is the expanded uncertainty with  $k=2$  in use. The formula shall be used for the estimation of the uncertainty under consideration of the errors of indication. The value R represents the net load indication in the unit of measure of the device.

Temperature coefficient for the evaluation of the measurement uncertainty in use:  $3.0 \cdot 10^{-6} / K$

Temperature range on site for the evaluation of the measurement uncertainty in use: 4 K

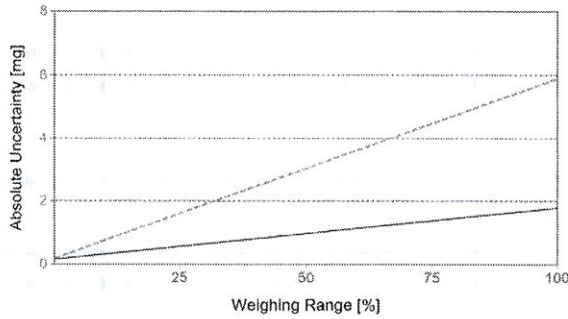
**Linearization of Uncertainty Equation**

	Range		As Found	As Left
	d	Max		
1	0.0001 g	210 g	$U_1 = 0.18 \text{ mg} + 0.0272 \text{ mg/g} \cdot R$	$U_1 = 0.16 \text{ mg} + 0.00778 \text{ mg/g} \cdot R$

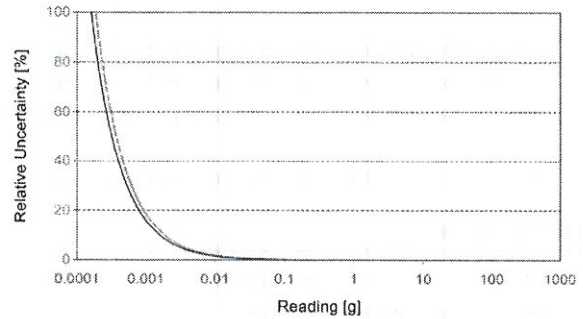
To optimize the stability of the linearization, besides of the zero load only increasing measurement points with a test load of 5% of the measurement range or larger are taken for the calculation of the linear equation.

**Absolute and Relative Measurement Uncertainty in Use for Various Net Indications (Examples)**

Net Indication	As Found		As Left	
	Value	Relative	Value	Relative
0.0210 g	0.18 mg	0.86%	0.16 mg	0.76%
0.2100 g	0.19 mg	0.088%	0.16 mg	0.077%
2.1000 g	0.24 mg	0.011%	0.18 mg	0.0084%
21.0000 g	0.75 mg	0.0036%	0.32 mg	0.0015%
210.0000 g	5.9 mg	0.0028%	1.8 mg	0.00085%



As Found



As Left



## Custom Tolerance Assessment

Assessment done without considering measurement uncertainty.

One or more of the measurements from the attached calibration certificate were assessed against customer-defined tolerances.

	As Found	As Left
Overall	✗	✓
Repeatability	✓	✓
Eccentricity	✓	✓
Error of Indication	✗	✓

### Measurement Results

#### Repeatability

Test Load: 100 g

	As Found	As Left
1	100.0014 g	100.0000 g
2	100.0012 g	99.9999 g
3	100.0012 g	99.9999 g
4	100.0013 g	99.9999 g
5	100.0012 g	100.0000 g
6	100.0012 g	100.0000 g
7	100.0012 g	99.9998 g
8	100.0013 g	100.0000 g
9	100.0013 g	99.9999 g
10	100.0014 g	99.9999 g

Standard Deviation	0.00008 g	0.00007 g
Tolerance	0.00010 g ✓	0.00010 g ✓

**Eccentricity**

Test Load: 100 g

Position	As Found	As Left
1	0.0000 g	0.0000 g
2	0.0000 g	0.0000 g
3	0.0000 g	0.0000 g
4	0.0000 g	0.0000 g
5	0.0000 g	0.0000 g

Maximum Deviation	0.0000 g	0.0000 g
Tolerance	0.0003 g ✓	0.0003 g ✓

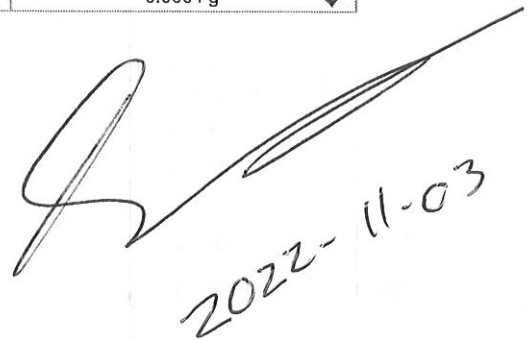
**Error of Indication**

As Found

	Reference Value	Indication	Error of Indication	Tolerance	
1	0.0000 g	0.0000 g	0.0000 g	0.0001 g	✓
2	50.0000 g	50.0011 g	0.0011 g	0.0002 g	✗
3	100.0000 g	100.0012 g	0.0012 g	0.0004 g	✗
4	150.0000 g	150.0018 g	0.0018 g	0.0006 g	✗
5	200.0001 g	200.0027 g	0.0026 g	0.0004 g	✗

As Left

	Reference Value	Indication	Error of Indication	Tolerance	
1	0.0000 g	0.0000 g	0.0000 g	0.0001 g	✓
2	50.0000 g	50.0000 g	0.0000 g	0.0002 g	✓
3	100.0000 g	100.0000 g	0.0000 g	0.0004 g	✓
4	150.0000 g	149.9999 g	-0.0001 g	0.0006 g	✓
5	200.0001 g	199.9999 g	-0.0002 g	0.0004 g	✓



2022-11-03

**CALIBRATION CERTIFICATE**

9900 Chemin de la Côte-de-Liesse, Montréal, QC H8T 1A1  
 www.dispersion.ca 1.866.390.5066

<b>Client :</b>	Polytests	<b>Certificate Number :</b>	157-77C603-223
<b>Address :</b>	695 B rue Gaudette Saint-Jean-sur-Richelieu, QC J3B7S7	<b>Calibration date :</b>	04-03-2022

**Technician:**  
 Coutu, Daniel

David Llorens, Quality Manager

**SERVICE DESCRIPTION:**

<b>Masses description :</b>	ASTM E617	<b>Date approved :</b>	04-03-2022
<b>Precision class :</b>	ASTM 6	<b>Next Calibration :</b>	04-03-2027
<b>Density :</b>	7.95g/cm <sup>3</sup>	<b>CCN accreditation # :</b>	668
<b>Identification (if unique) :</b>	EM-090	<b>CLAS Certification # :</b>	2010-01

<b>Test conditions :</b>	Temp °C: 21.05	kPa Pressure: 102.3	Humidity: 49.4
--------------------------	----------------	---------------------	----------------

**NOTES:**

For weight calibration, we use the procedure "Comparaison individuelle" PDL-09-MG-001 and the procedure "Détermination des incertitudes" PDL-09-MG-002. This certificate cannot be copied without written approval from Dispersion Laboratory. The results presented in these pages relate only to objects subjected to calibration.n

**REMARKS:**

March 2022











## CALIBRATION CERTIFICATE

9900 Chemin de la Côte-de-Liesse, Montréal, QC H8T 1A1  
www.dispersion.ca 1.866.390.5066

### BALANCES

The following balances are used for calibration purposes :

> 5 kg to 25 kg :	Mettler Toledo XP32003L, SNR 1123271214, max. 32100 g, d = 0.005 g
> 1 kg to 5 kg :	Mettler Toledo PR5003, SNR 1115311634, max. 5100 g, d = 0.001 g
> 300 g to 2 kg :	Mettler Toledo XP2004S, SNR B131185222, max. 2100 g, d = 0.1 mg
> 100 g to 200 g :	Mettler Toledo AT201 SNR BA1115230146, max. 205 g, d = 0.01 mg
> 5 g to 100 g :	Mettler Toledo AX106 SNR 1127063924, max. 111 g, d = 1 µg
1 mg to 5 g :	Mettler UMX5, SNR 1121103055, max. 5.1 g, d = 0.1 µg

We are also using these balances in our automated procedure :

> 200 g to 1 kg :	Mettler Toledo AX1005 SNR 1127063210, max. 1109 g, d = 0.01 mg
> 5 g to 100 g :	Mettler Toledo AX106 SNR 1120143015, max. 111 g, d = 1 µg
1 mg to 5 g :	Mettler UMX5, SNR 1125140561, max. 5.1 g, d = 0.1 µg

*Our balances are periodically verified, according to our PDL-11-MG-001 control procedure.*

### UNCERTAINTIES:

The following uncertainties exist :

1. *Uncertainty associated with the weighting process.*
2. *Uncertainty associated with air density.*
3. *Uncertainty associated with the measurement standard.*
4. *Uncertainty associated with the density of the mass being calibrated.*

The uncertainty of the weighing process includes long-term reproducibility.

Uncertainties specified in this report are expanded uncertainties representing a confidence level of approximately 95% obtained by multiplying the combined standard uncertainty by a coverage factor of  $k = 2$ . For more detailed information refer to the GUM (Guide to the Expression of Uncertainty in Measurement, 1995 Edition)

### TRACEABILITY

The Calibration Laboratory Assessment Service (CLAS) of the National Research Council of Canada (NRC) has assessed and certified specific calibration capabilities of this laboratory and their traceability to recognized national measurement standards and to the International System of Units (SI). This certificate of calibration is issued in accordance with the conditions of certification granted by CLAS and the conditions of accreditation granted by the Standards Council of Canada (SCC). Neither the CLAS nor the SCC guarantees the accuracy of individual calibration by accredited laboratories.

# CALIBRATION CERTIFICATE

9900 Chemin de la Côte-de-Liesse, Montréal, QC H8T 1A1  
 www.dispersion.ca 1.866.390.5066

## USED REFERENCES

Item	Serial #	Manufacturer	Calibration date	Due date
300g Labo	96-0888-50-2	Denver Instrument Company	01-10-2020	31-03-2022
1kg-1mg Labo	MT-01	Mettler Toledo	01-10-2020	31-03-2022
2kg Labo	96-0888-50-3	Denver Instrument Company	01-10-2020	31-03-2022
1kg Labo	96-088850-1	Denver Instrument Company	01-10-2020	31-03-2022
5kg Labo	129099	Mettler Toledo	01-10-2020	31-03-2022
10kg Labo	DI000G991	Dispersion	23-03-2021	31-03-2022
20kg Labo	69976	Mettler Toledo	06-10-2021	31-10-2022
1 mg-10kg	4000028011	Troemner	15-10-2021	31-10-2022
2kg Labo	129098	Mettler Toledo	01-10-2020	31-03-2022

## ENVIRONMENTAL CONDITIONS

Item	Serial #	Manufacturer	Calibration date	Due date
THE004	107080	Control Company	04-03-2021	31-03-2022

Mettler-Toledo Inc.  
Service Division  
1900 Polaris Parkway  
Columbus, OH 43240  
1-800-METTLER



Accredited by the American Association  
for Laboratory Accreditation (A2LA)  
CALIBRATION CERT #1902.01

ISO 17025 Registered  
ANSI/NCSL Z540-1 Accredited

## Certificat de Calibration de Précision

Accuracy Calibration Certificate

### Client

Compagnie:	Services Polytests	Contact:	Danick Power
Adresse:	695-B Rue Gaudette		
Ville:	Saint-Jean-Sur-Richelieu		
Zip/Code Postal:	J3B 7S7		
État/Province:	Quebec		

### Weighing Device

Manufacturier:	RICE LAKE	Type d'Instrument:	Weighing Instrument
Modèle:	4X4HP-10K	# Outil:	EM-114 EM-137
No. Série:	C18395	Modèle Indicateur:	IQ+355
Building:	N/D	Terminal Serial No.:	164851
Floor:	N/D	Terminal Asset No.:	N/D
Room:	N/D		

Plage	Capacité Max	Lisibilité (d)
1	400 kg	0.05 kg

### Procedure

Instruction de Calibration: ASTM E898 - 20  
Instruction de travail METTLER TOLEDO: 30260953

This calibration certificate including procedures and uncertainty estimation also complies with EURAMET cg-18 v 4.0.

Ce certificat de calibration contient des mesures pour la calibration Tel que Trouvé. Aucune calibration Tel que Laissé n'a été effectuée puisque l'appareil n'a pas été modifié suite à la calibration Tel que Trouvé. Par conséquent, les résultats Tel que Laissé correspondent aux résultats Tel que Trouvé.

The calibration was agreed with the user below the maximum capacity of the balance.

Temperature
Tel que Trouvé
Start: 20.0 °C    End: 22.0 °C

Environmental conditions have been verified to ensure the accuracy of the calibration.

This certificate is issued in accordance with the conditions of accreditation granted by A2LA, which is based on ISO/IEC 17025. A2LA has assessed the measurement capability of the laboratory and its traceability to recognized national standards.

Date calibration Tel que Trouvé: 11-01-2023  
Date calibration Tel que Laissé: N/D  
Date d'Émission: 11-01-2023  
Requested Next Calibration Date: 31-01-2024

Authorized A2LA Signatory:

Stephane Poisson

  
2023-01-11



## Résultats de Mesure

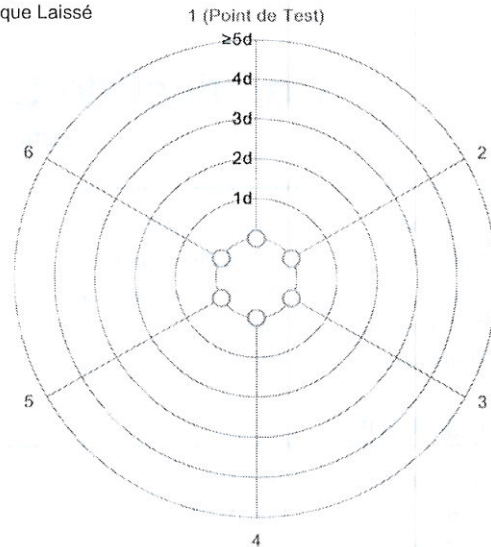
### Répétabilité

Charge de Test: 70 kg

	Tel que Trouvé	Tel que Laissé
1	70.00 kg	N/D
2	70.00 kg	N/D
3	70.00 kg	N/D
4	70.00 kg	N/D
5	70.00 kg	N/D
6	70.00 kg	N/D

Écart Type	0.000 kg	N/D
------------	----------	-----

○ Tel que Trouvé  
◆ Tel que Laissé



The "d" in the graph represents the readability of the range/interval in which the test was performed.

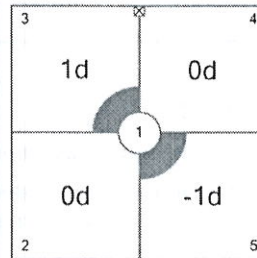
The results of this graph are based upon the absolute values of the differences from the mean value.

### Excentricité

Charge de Test: 70 kg

Position	Tel que Trouvé	Tel que Laissé
1	70.00 kg	N/D
2	70.00 kg	N/D
3	70.05 kg	N/D
4	70.00 kg	N/D
5	69.95 kg	N/D

Déviation Maximale	0.05 kg	N/A
--------------------	---------	-----



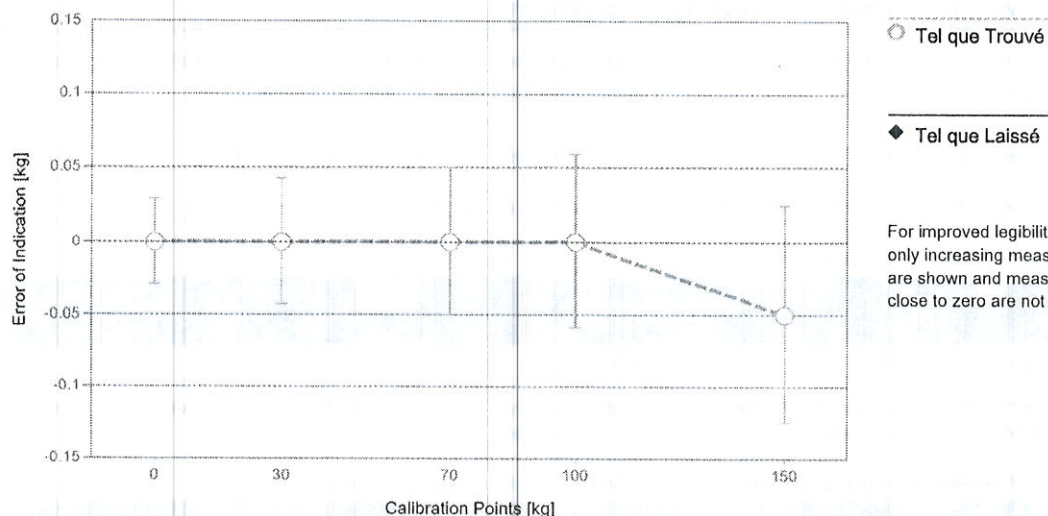
Tel que Trouvé

The "d" in the graph represents the readability of the range/interval in which the test was performed.

### Erreur d'indication

Tel que Trouvé

	Reference Value	Indication	Erreur d'indication	Incertitude Élargie	k
1	0 kg	0.00 kg	0.00 kg	0.029 kg	2
2	30 kg	30.00 kg	0.00 kg	0.043 kg	2
3	70 kg	70.00 kg	0.00 kg	0.050 kg	2
4	100 kg	100.00 kg	0.00 kg	0.059 kg	2
5	150 kg	149.95 kg	-0.05 kg	0.075 kg	2
6	0 kg	0.00 kg	0.00 kg	0.029 kg	2



The uncertainty stated is the expanded uncertainty at calibration obtained by multiplying the standard combined uncertainty by the coverage factor  $k$  - which can be larger than 2 according to ASTM E898 and EURAMET cg-18. The value of the measurand lies within the assigned range of values with a probability of approximately 95%.

The user is responsible for maintaining environmental conditions and the settings of the weighing instrument when it was calibrated.

### Test Equipment

Tous les poids utilisés pour le contrôle métrologique sont retraçables aux étalons Nationaux et Internationaux. Les poids ont été calibrés et certifiés par un laboratoire de calibration accrédité.

#### Jeu de Poids 1: OIML M1

Weight Set Number:	BE18	Date d'Émission:	29-08-2022
# Certificat:	M22-0188	Date de Calibration Due:	29-08-2023

#### Jeu de Poids 2: OIML M1

Weight Set Number:	S	Date d'Émission:	04-04-2022
# Certificat:	1412974	Date de Calibration Due:	04-04-2023

### Remarques

N/D

End of Accredited Section

The information below and any attachments to this calibration certificate are not part of the accredited calibration.



**Incertitude de Mesure du dispositif de pesage en opération**

Stated is the expanded uncertainty with k=2 in use. The formula shall be used for the estimation of the uncertainty under consideration of the errors of indication. The value R represents the net load indication in the unit of measure of the device.

Coefficient de température pour l'évaluation de l'incertitude de mesure en opération:  $10.0 \cdot 10^{-6} / K$

Plage d'opération sur le site pour l'évaluation de l'incertitude de mesure en opération: 22 K

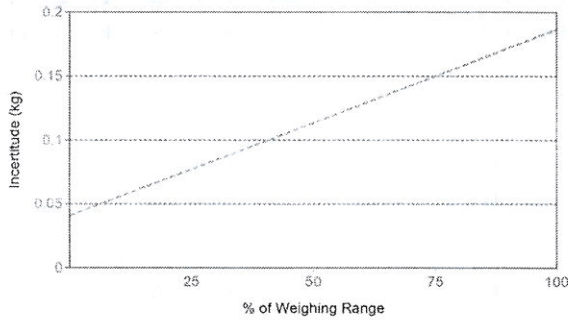
**Linéarisation de l'Équation d'Incertitude**

	Plage		Tel que Trouvé	Tel que Laissé
	d	Max		
1	0.05 kg	150 kg	$U_1 = 41 \text{ g} + 0.971 \text{ g/kg} \cdot R$	N/A

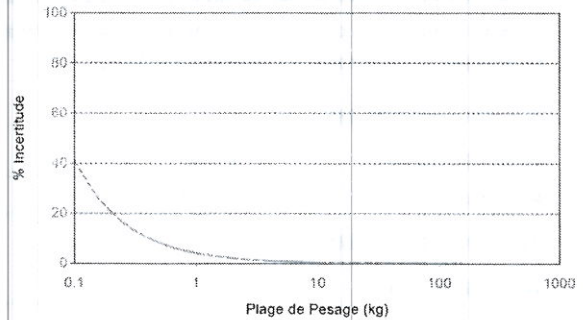
To optimize the stability of the linearization, besides of the zero load only increasing measurement points with a test load of 5% of the measurement range or larger are taken for the calculation of the linear equation.

**Absolute and Relative Measurement Uncertainty in Use for Various Net Indications (Examples)**

Indication Net	Tel que Trouvé		Tel que Laissé	
	Value	%	Value	%
1.50 kg	0.042 kg	2.8%	N/A	N/A
15.00 kg	0.056 kg	0.37%	N/A	N/A
30.00 kg	0.070 kg	0.23%	N/A	N/A
75.00 kg	0.11 kg	0.15%	N/A	N/A
150.00 kg	0.19 kg	0.12%	N/A	N/A



Tel que Trouvé



Tel que Laissé

# Handbook 44 Tolerance Assessment(Entretien)

Assessment done without considering measurement uncertainty.

Les mesures du certificat de calibration joint ont été évaluées selon les tolérances définies par NIST HB44.

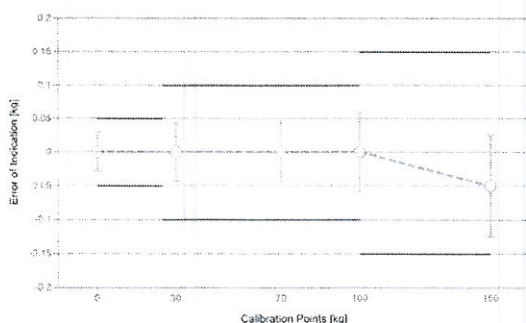
**Tel que Trouvé**
**Tel que Laissé**

**Global** ✓
**N/D** ✗

✓ = Passed  
✗ = Failed

## Weighing Device

Range	Max. Capacity	Readability (d)	Verification Scale Interval (e)	Class
1	400 kg	0.05 kg	0.05 kg	III



Tolerances according to NIST Handbook 44

Test Load		Tolérance
From	To	
0.00 kg	0.00 kg	0.0125 kg
0.05 kg	25.00 kg	0.05 kg
25.05 kg	100.00 kg	0.1 kg
100.05 kg	150.00 kg	0.15 kg

○ Tel que Trouvé

◆ Tel que Laissé

— Tolérance

## Eccentricity and Repeatability

Test	Test Load	Tolérance	As Found		As Left	
			Max. Error / Range	Result	Max. Error / Range	Result
Excentricité (Maximum Error)	70 kg	0.10 kg	0.05 kg	✓	N/D	N/D
Excentricité (Plage)	70 kg	0.1 kg	0.10 kg	✓	N/D	N/D
Répétabilité (Maximum Error)	70 kg	0.1 kg	0.00 kg	✓	N/D	N/D
Répétabilité (Plage)	70 kg	0.10 kg	0.00 kg	✓	N/D	N/D

Max. Error: Maximum of the absolute values of the individual errors.

Range: Difference between largest and smallest measurement value.

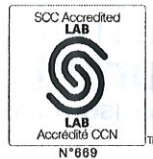
## Error of Indication

	Reference Value	Tolérance	As Found		As Left	
			Error of Indication	Result	Error of Indication	Result
1	0 kg	0.05 kg	0.00 kg	✓	N/D	N/D
2	30 kg	0.10 kg	0.00 kg	✓	N/D	N/D
3	70 kg	0.10 kg	0.00 kg	✓	N/D	N/D
4	100 kg	0.10 kg	0.00 kg	✓	N/D	N/D
5	150 kg	0.15 kg	-0.05 kg	✓	N/D	N/D
6	0 kg	0.05 kg	0.00 kg	✓	N/D	N/D





**Instrumentation  
Saint-Laurent** inc.  
Certified ISO 17025



80 rue de la montagne  
St-Joseph du lac  
(Québec), J0N 1M0  
Phone: (450) 473-6169  
Fax: (450) 473-5207  
Email: inst.st-laurent@videotron.ca

## CALIBRATION CERTIFICATE

<b>CERTIFICATE #</b>	<b>CE-EM-126 2022-05-10</b>
----------------------	-----------------------------

CLIENT		CALIBRATION SPECIFICATION	
<b>Company:</b>	Services Polytests Inc	<b>Service Procedure:</b>	4IN9106
<b>Address:</b>	695 B rue Gaudette	<b>Required Accuracy:</b>	+/- 1"Hg
	St-Jean-sur-Richelieu, Québec, J3B 7S7	<b>Calibration Frequency:(days)</b>	365

INSTRUMENT SPECIFICATION			
<b>Instrument Type:</b>	Pressure Gauge	<b>Input Type:</b>	Pression
<b>Manufacturer:</b>	Dwyer	<b>Output Type:</b>	Digitale
<b>Model #:</b>	DPG200	<b>Measurement Type:</b>	Pressure
<b>Serial #:</b>	N.A.	<b>Range:</b>	0-28"Hg
<b>Location:</b>	N.A.	<b>Version:</b>	

CALIBRATORS SPECIFICATION			
<b>Calibrator:</b>	Crystal XP2i 300	<b>Certification #:</b>	2021008359
<b>Serial #:</b>	870437	<b>Certification Date:</b>	2021-11-15
<b>Certified by:</b>	Alpha Controls	<b>Next Certification:</b>	2022-11-15
<b>Comments:</b>			
<b>Calibrator:</b>	Fluke 744	<b>Certification #:</b>	2022003082
<b>Serial #:</b>	8180008	<b>Certification Date:</b>	2022-04-12
<b>Certified by:</b>	Alpha Controls	<b>Next Certification:</b>	2023-04-12
<b>Comments:</b>			





**Instrumentation  
Saint-Laurent inc.**  
Certified ISO 17025



80 rue de la montagne  
St-Joseph du lac  
(Québec), J0N 1M0  
Phone: (450) 473-6169  
Fax: (450) 473-5207  
Email: inst.st-laurent@videotron.ca

# CALIBRATION CERTIFICATE

<b>CERTIFICATE #</b>	<b>CE-EM-126 2022-05-10</b>
----------------------	-----------------------------

CALIBRATION RESULTS						
Entry Source	Given Value	Actual Value	Deviation Error	After Calib Value	Accuracy	Uncertainty
<b>Conformity</b>	<b>Comment</b>					
0.00 "Hg	0.00 "Hg	0.00 "Hg	0.00 "Hg	0.00 "Hg	+/- 1 "Hg	1 "Hg
Compliant	Verification of the indicator					
-7.50 "Hg	-7.50 "Hg	-7.64 "Hg	-0.14 "Hg	-7.64 "Hg	+/- 1 "Hg	1 "Hg
Compliant	Verification of the indicator					
-15.00 "Hg	-15.00 "Hg	-15.24 "Hg	-0.24 "Hg	-15.24 "Hg	+/- 1 "Hg	1 "Hg
Compliant	Verification of the indicator					
-22.50 "Hg	-22.50 "Hg	-22.90 "Hg	-0.40 "Hg	-22.90 "Hg	+/- 1 "Hg	1 "Hg
Compliant	Verification of the indicator					
-28.00 "Hg	-28.00 "Hg	-28.51 "Hg	-0.51 "Hg	-28.51 "Hg	+/- 1 "Hg	1 "Hg
Compliant	Verification of the indicator					
0.00 "Hg	10.0000 V.DC.	10.0778 V.DC.	+0.0778 V.DC.	10.0778 V.DC.	+/- 0.5 V.DC.	0.5 V.DC.
Compliant	Verification of the analogic output					
-7.50 "Hg	8.0000 V.DC.	8.0447 V.DC.	+0.0447 V.DC.	8.0447 V.DC.	+/- 0.5 V.DC.	0.5 V.DC.
Compliant	Verification of the analogic output					
-15.00 "Hg	6.0000 V.DC.	6.0069 V.DC.	+0.0069 V.DC.	6.0069 V.DC.	+/- 0.5 V.DC.	0.5 V.DC.
Compliant	Verification of the analogic output					
-22.50 "Hg	4.0000 V.DC.	3.9596 V.DC.	-0.0404 V.DC.	3.9596 V.DC.	+/- 0.5 V.DC.	0.5 V.DC.
Compliant	Verification of the analogic output					
-28.00 "Hg	2.5333 V.DC.	2.4444 V.DC.	-0.0889 V.DC.	2.4444 V.DC.	+/- 0.5 V.DC.	0.5 V.DC.
Compliant	Verification of the analogic output					


<b>Environmental Conditions:</b>	Temperature: 21 °C	Humidity: 41 %RH
<b>Comments:</b>		

CALIBRATION DATE/ISSUANCE OF CERTIFICATE	
<b>Calibration Date:</b>	2022-05-10
<b>Next Calibration:</b>	2023-05-10
<b>Certificate Date:</b>	2022-05-10

CALIBRATION CONFORMITY		
	Before	After
<b>Compliant:</b>	X	X
<b>Non Compliant:</b>		

- Instrumentation St. Laurent Inc. Certify that the above instrument, meets or exceeds the specifications established by the manufacturer. The company's quality system complies with the requirements of ISO 17025 :2017 and the standards used to perform the calibration is traceable to NRC and / or NIST.
- Reported uncertainties represent a 95 % of confidence level assuming a normal distribution k=2.
- The declaration of conformity does not include Instrumentation St-Laurent Inc. uncertainty measurement. Decision rule is based on binary statement for simple acceptance rule against ILAC G8 standard and test tolerance limits are based on customer specifications, unless otherwise specified.
- The results presented in this certificate relate only to objects subject to calibration.
- It is the customer's responsibility to ensure that calibrated equipment meets its intended use.
- The date format used in this certificate is: YYYY-MM-DD.

Assessment Service Calibration Laboratory (ASCL) of the National Research Council of Canada (NRC) has assessed and certified calibration laboratory's ability and traceability to the International System of Units (SI) or to standards acceptable according to ASCL. This calibration certificate is issued in accordance with the terms of ASCL certification and accreditation requirements of the Standards Council of Canada (SCC). SCC accreditation number: # 669. ASCL and SCC does not guarantee the accuracy of individual calibrations by accredited laboratories.



Marco Miron - Technicien

Version 1  
MAY 2022





**Instrumentation  
Saint-Laurent** inc.  
Certified ISO 17025



80 rue de la montagne  
St-Joseph du lac  
(Québec), J0N 1M0  
Phone: (450) 473-6169  
Fax: (450) 473-5207  
Email: inst.st-laurent@videotron.ca

## CALIBRATION CERTIFICATE

<b>CERTIFICATE #</b>	<b>CE-EM-127 2022-05-10</b>
----------------------	-----------------------------

CLIENT		CALIBRATION SPECIFICATION	
<b>Company:</b>	Services Polytests Inc	<b>Service Procedure:</b>	4IN9106
<b>Address:</b>	695 B rue Gaudette	<b>Required Accuracy:</b>	+/- 1"Hg
	St-Jean-sur-Richelieu, Québec, J3B 7S7	<b>Calibration Frequency:(days)</b>	365

INSTRUMENT SPECIFICATION			
<b>Instrument Type:</b>	Pressure Gauge	<b>Input Type:</b>	Pression
<b>Manufacturer:</b>	Dwyer	<b>Output Type:</b>	Digitale
<b>Model #:</b>	DPG200	<b>Measurement Type:</b>	Pressure
<b>Serial #:</b>	N.A.	<b>Range:</b>	0-28"Hg
<b>Location:</b>	N.A.	<b>Version:</b>	

CALIBRATORS SPECIFICATION			
<b>Calibrator:</b>	Fluke 744	<b>Certification #:</b>	2022003082
<b>Serial #:</b>	8180008	<b>Certification Date:</b>	2022-04-12
<b>Certified by:</b>	Alpha Controls	<b>Next Certification:</b>	2023-04-12
<b>Comments:</b>			
<b>Calibrator:</b>	Crystal XP2i 300	<b>Certification #:</b>	2021008359
<b>Serial #:</b>	870437	<b>Certification Date:</b>	2021-11-15
<b>Certified by:</b>	Alpha Controls	<b>Next Certification:</b>	2022-11-15
<b>Comments:</b>			





**Instrumentation  
Saint-Laurent** inc.  
Certified ISO 17025



80 rue de la montagne  
St-Joseph du lac  
(Québec), J0N 1M0  
Phone: (450) 473-6169  
Fax: (450) 473-5207  
Email: inst.st-laurent@videotron.ca

# CALIBRATION CERTIFICATE

<b>CERTIFICATE #</b>	<b>CE-EM-127 2022-05-10</b>
----------------------	-----------------------------

CALIBRATION RESULTS						
Entry Source	Given Value	Actual Value	Deviation Error	After Calib Value	Accuracy	Uncertainty
<b>Conformity</b>	<b>Comment</b>					
0.00 "Hg Compliant	0.00 "Hg	0.00 "Hg	0.00 "Hg	0.00 "Hg	+/- 1 "Hg	1 "Hg
Verification of the indicator						
-7.50 "Hg Compliant	-7.50 "Hg	-7.52 "Hg	-0.02 "Hg	-7.52 "Hg	+/- 1 "Hg	1 "Hg
Verification of the indicator						
-15.00 "Hg Compliant	-15.00 "Hg	-15.03 "Hg	-0.03 "Hg	-15.03 "Hg	+/- 1 "Hg	1 "Hg
Verification of the indicator						
-22.50 "Hg Compliant	-22.50 "Hg	-22.56 "Hg	-0.06 "Hg	-22.56 "Hg	+/- 1 "Hg	1 "Hg
Verification of the indicator						
-28.00 "Hg Compliant	-28.00 "Hg	-28.11 "Hg	-0.11 "Hg	-28.11 "Hg	+/- 1 "Hg	1 "Hg
Verification of the indicator						
0.00 "Hg Compliant	10.0000 V.DC.	10.0236 V.DC.	+0.0236 V.DC.	10.0236 V.DC.	+/- 0.5 V.DC.	0.5 V.DC.
Verification of the analogic output						
-7.50 "Hg Compliant	8.0000 V.DC.	8.0275 V.DC.	+0.0275 V.DC.	8.0275 V.DC.	+/- 0.5 V.DC.	0.5 V.DC.
Verification of the analogic output						
-15.00 "Hg Compliant	6.0000 V.DC.	6.0185 V.DC.	+0.0185 V.DC.	6.0185 V.DC.	+/- 0.5 V.DC.	0.5 V.DC.
Verification of the analogic output						
-22.50 "Hg Compliant	4.0000 V.DC.	4.0002 V.DC.	+0.0002 V.DC.	4.0002 V.DC.	+/- 0.5 V.DC.	0.5 V.DC.
Verification of the analogic output						
-28.00 "Hg Compliant	2.5333 V.DC.	2.5160 V.DC.	-0.0173 V.DC.	2.5160 V.DC.	+/- 0.5 V.DC.	0.5 V.DC.
Verification of the analogic output						

<b>Environmental Conditions:</b>	Temperature: 21 °C	Humidity: 41 %RH
<b>Comments:</b>		

CALIBRATION DATE/ISSUANCE OF CERTIFICATE	
<b>Calibration Date:</b>	2022-05-10
<b>Next Calibration:</b>	2023-05-10
<b>Certificate Date:</b>	2022-05-10

CALIBRATION CONFORMITY		
	Before	After
<b>Compliant:</b>	X	X
<b>Non Compliant:</b>		

- Instrumentation St. Laurent Inc. Certify that the above instrument, meets or exceeds the specifications established by the manufacturer. The company's quality system complies with the requirements of ISO 17025 :2017 and the standards used to perform the calibration is traceable to NRC and / or NIST.
- Reported uncertainties represent a 95 % of confidence level assuming a normal distribution k=2.
- The declaration of conformity does not include Instrumentation St-Laurent Inc. uncertainty measurement. Decision rule is based on binary statement for simple acceptance rule against ILAC G8 standard and test tolerance limits are based on customer specifications, unless otherwise specified.
- The results presented in this certificate relate only to objects subject to calibration.
- It is the customer's responsibility to ensure that calibrated equipment meets its intended use.
- The date format used in this certificate is: YYYY-MM-DD.

Assessment Service Calibration Laboratory (ASCL) of the National Research Council of Canada (NRC) has assessed and certified calibration laboratory's ability and traceability to the International System of Units (SI) or to standards acceptable according to ASCL. This calibration certificate is issued in accordance with the terms of ASCL certification and accreditation requirements of the Standards Council of Canada (SCC). SCC accreditation number: # 669. ASCL and SCC does not guarantee the accuracy of individual calibrations by accredited laboratories.



Marco Miron - Technicien

Version 1  
May 2022  
Page 2 of 2



**CALIBRATION CERTIFICATE**

9900 Chemin de la Côte-de-Liesse, Montréal, QC H8T 1A1  
 www.dispersion.ca 1.866.390.5066

<b>Client :</b>	Polytests	<b>Certificate Number :</b>	157-77C603-221
<b>Address :</b>	695 B rue Gaudette Saint-Jean-sur-Richelieu, QC J3B7S7	<b>Calibration date :</b>	04-03-2022

**Technician:**  
 Coutu, Daniel

David Llorens, Quality Manager

**SERVICE DESCRIPTION:**

<b>Masses description :</b>	ASTM E617	<b>Date approved :</b>	04-03-2022
<b>Precision class :</b>	ASTM 1	<b>Next Calibration :</b>	04-03-2027
<b>Density :</b>	7.95g/cm <sup>3</sup>	<b>CCN accreditation # :</b>	668
<b>Identification (if unique) :</b>	1000026013	<b>CLAS Certification # :</b>	2010-01

<b>Test conditions :</b>	Temp °C:	21.05	kPa Pressure:	102.3	Humidity:	49.4
--------------------------	----------	-------	---------------	-------	-----------	------

**NOTES:**

For weight calibration, we use the procedure "Comparaison individuelle" PDL-09-MG-001 and the procedure "Détermination des incertitudes" PDL-09-MG-002. This certificate cannot be copied without written approval from Dispersion Laboratory. The results presented in these pages relate only to objects subjected to calibration.n

**REMARKS:**

March 2022









## CALIBRATION CERTIFICATE

9900 Chemin de la Côte-de-Liesse, Montréal, QC H8T 1A1  
www.dispersion.ca 1.866.390.5066

### BALANCES

The following balances are used for calibration purposes :

> 5 kg to 25 kg :	Mettler Toledo XP32003L, SNR 1123271214, max. 32100 g, d = 0.005 g
> 1 kg to 5 kg :	Mettler Toledo PR5003, SNR 1115311634, max. 5100 g, d = 0.001 g
> 300 g to 2 kg :	Mettler Toledo XP2004S, SNR B131185222, max. 2100 g, d = 0.1 mg
> 100 g to 200 g :	Mettler Toledo AT201 SNR BA1115230146, max. 205 g, d = 0.01 mg
> 5 g to 100 g :	Mettler Toledo AX106 SNR 1127063924, max. 111 g, d = 1 µg
1 mg to 5 g :	Mettler UMX5, SNR 1121103055, max. 5.1 g, d = 0.1 µg

We are also using these balances in our automated procedure :

> 200 g to 1 kg :	Mettler Toledo AX1005 SNR 1127063210, max. 1109 g, d = 0.01 mg
> 5 g to 100 g :	Mettler Toledo AX106 SNR 1120143015, max. 111 g, d = 1 µg
1 mg to 5 g :	Mettler UMX5, SNR 1125140561, max. 5.1 g, d = 0.1 µg

*Our balances are periodically verified, according to our PDL-11-MG-001 control procedure.*

### UNCERTAINTIES:

The following uncertainties exist :

1. *Uncertainty associated with the weighting process.*
2. *Uncertainty associated with air density.*
3. *Uncertainty associated with the measurement standard.*
4. *Uncertainty associated with the density of the mass being calibrated.*

The uncertainty of the weighing process includes long-term reproducibility.

Uncertainties specified in this report are expanded uncertainties representing a confidence level of approximately 95% obtained by multiplying the combined standard uncertainty by a coverage factor of  $k = 2$ . For more detailed information refer to the GUM (Guide to the Expression of Uncertainty in Measurement, 1995 Edition)

### TRACEABILITY

The Calibration Laboratory Assessment Service (CLAS) of the National Research Council of Canada (NRC) has assessed and certified specific calibration capabilities of this laboratory and their traceability to recognized national measurement standards and to the International System of Units (SI). This certificate of calibration is issued in accordance with the conditions of certification granted by CLAS and the conditions of accreditation granted by the Standards Council of Canada (SCC). Neither the CLAS nor the SCC guarantees the accuracy of individual calibration by accredited laboratories.

# CALIBRATION CERTIFICATE

9900 Chemin de la Côte-de-Liesse, Montréal, QC H8T 1A1  
 www.dispersion.ca 1.866.390.5066

## USED REFERENCES

Item	Serial #	Manufacturer	Calibration date	Due date
300g Labo	96-0888-50-2	Denver Instrument Company	01-10-2020	31-03-2022
1kg-1mg Labo	MT-01	Mettler Toledo	01-10-2020	31-03-2022
2kg Labo	96-0888-50-3	Denver Instrument Company	01-10-2020	31-03-2022
1kg Labo	96-088850-1	Denver Instrument Company	01-10-2020	31-03-2022
5kg Labo	129099	Mettler Toledo	01-10-2020	31-03-2022
10kg Labo	DI000G991	Dispersion	23-03-2021	31-03-2022
20kg Labo	69976	Mettler Toledo	06-10-2021	31-10-2022
1 mg-10kg	4000028011	Troemner	15-10-2021	31-10-2022
2kg Labo	129098	Mettler Toledo	01-10-2020	31-03-2022

## ENVIRONMENTAL CONDITIONS

Item	Serial #	Manufacturer	Calibration date	Due date
THE004	107080	Control Company	04-03-2021	31-03-2022

**CALIBRATION CERTIFICATE # 18410**

Calibration date : 2023-01-04

Certificate issued : 2023-01-04

Services Polytests  
695 B Gaudette street  
St-Jean-sur-Richelieu, Québec, Canada  
J3B 7S7

**Calibration of**

**Positive displacement flow meter American Meter Company DTM-200A S/N : 99A274209**

**QUALITY PROGRAM CONFORMANCE**

All calibrations are performed in accordance with Polycontrols Laboratory Quality Assurance Manual and conform to ISO/IEC 17025: 2017, ISO 9001 – 2015 and/or other quality requirements defined in customers purchase descriptions. The results are strictly valid for the device under test or calibration. If applicable, the decision rule is described in the certificate.

**TRACEABILITY**

The traceability for flow standard to the National Institute of Standards and Technology, NIST, is maintained by Fluke Corporation of Phoenix, Arizona and conform to ISO/IEC 17025, ANSI/NCSL Z540-1-1994, ISO-10012-1 and MIL-STD 45662A.

The Calibration Laboratory Assessment Service (CLAS) of the National Research Council of Canada (NRC) has assessed and certified specific calibration capabilities of this laboratory and traceability to the International System of Units (SI) or to standards acceptable to the CLAS program. This certificate of calibration is issued in accordance with the conditions of certification granted by CLAS and the conditions of accreditation granted by the Standards Council of Canada (SCC). Neither CLAS nor SCC guarantee the accuracy of individual calibrations by accredited laboratories.

**CALIBRATION OF MEASURING AND TEST EQUIPMENT**

For calibration measurement capability, please refer to the Canadian Calibration Network web page at the National Research Council of Canada. This laboratory is accredited by the Standards Council of Canada as part of the Calibration Laboratory Assessment Service (CLAS) program and is listed at [nrc.canada.ca](http://nrc.canada.ca).

This document forms part of the Certificate of Accreditation issued by the Standards Council of Canada (SCC). The original version is available in the Directory of Accredited Laboratories on the SCC website at [www.scc.ca](http://www.scc.ca).

**CONDITION SUMMARY OF THE DEVICE UNDER TEST**

Initial conditions	In good condition
Work done	Initial readings = Final readings, no adjustment. Calibration of the instrument
Results	Final readings in tolerance
Remarks	Calibration frequency every 6 months Tolerance modified per end user request



Louis-Philippe Tremblay  
Metrologist



Laboratory Manager



### Calibration certificate # 18410

Serial Number:	99A274209	Test stand:	3
Calibration Date:	2023-01-04	Procedure:	POS-CAL-005
Instrument ID:	EM-130	Decision rule:	Method #1

### Standard equipment used for final calibration

Description	Model	Serial #	Traceability	Due date
Fluke molbloc_30 slpm	3E4-VCR-V-Q	2403	1500339201	2023-09-06
Fluke molbloc_100 slpm	2E2-S	380	1500341894	2023-10-19
Fluke molbox1	Molbox1	881	1500341962	2023-10-18
RTD Mist	M22	2208101	2022003934	2023-05-16
Module 44.5 PSI avec Baro 163671	Module 30	160659	2022003929	2023-05-13

### Final specifications of the device under test

### Calibration conditions

Gas	Air	Gas	Air
Operation temperature		Ambient temperature	23.21 °C
Inlet pressure		Ambient pressure	1028.49 mbar
Outlet pressure		Orientation	Vertical
Reference temperature		Seals	Viton
Reference pressure		Valve	Viton
Range	0-200 ACFH		
Input/Output Signals	-		
Supply			
Accuracy	±2 %O.R.		

### Final readings

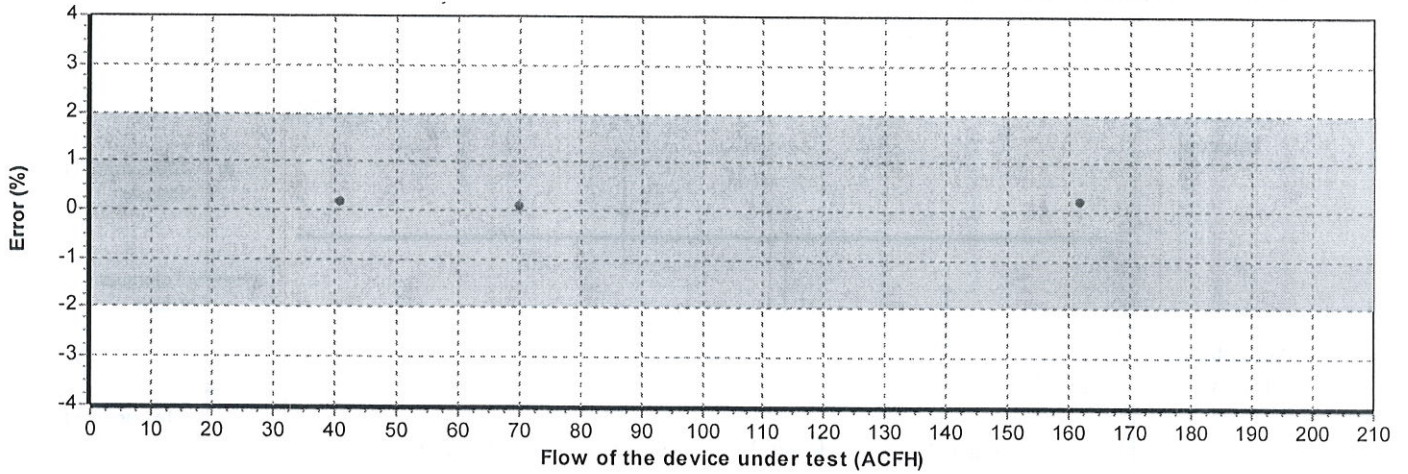
Test Flow ACFH	Device under test ft <sup>3</sup>	Measured values			Calculated Reference ft <sup>3</sup>	Calculated Error ft <sup>3</sup>	Acceptable Error ft <sup>3</sup>	Uncertainty k = 2 ft <sup>3</sup>	TUR
		Pressure PSIA	Temperature °C	Reference ft <sup>3</sup>					
40.8838	6.815	14.9289	22.25	6.886	6.805	0.010	0.136	0.023	>4
70.1979	11.720	14.9475	22.10	11.869	11.709	0.011	0.234	0.029	>4
161.6729	26.940	15.0586	22.01	27.468	26.889	0.051	0.538	0.066	>4



### Calibration certificate # 18410

Serial Number:	99A274209	Test stand:	3
Calibration Date:	2023-01-04	Procedure:	POS-CAL-005
Instrument ID:	EM-130	Decision rule:	Method #1

### Final results



See the appendix for the guideline of decision rule



JAN. 9 2023

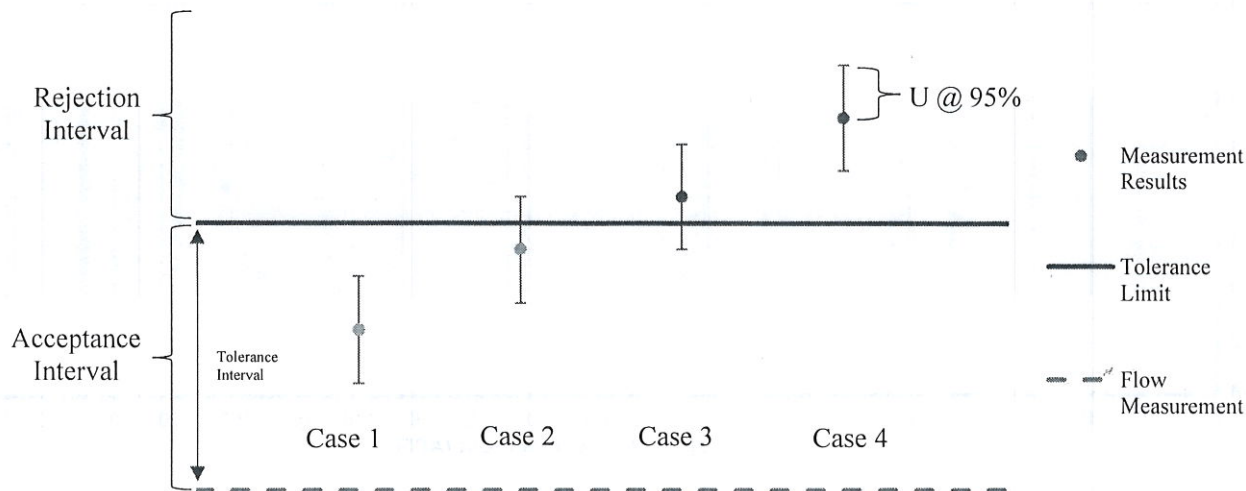
$T_c = 0.9985$

*Appendix for the decision rule*

**Method #1 Binary Statement for Simple Acceptance Rule**

A binary decision rule exists when the result is limited to two choices: pass or fail. Considering that the acceptance limit equals the tolerance limit, no guard band is applied. In other words:  $w = 0$  and  $AL = TL$ . This method does not take uncertainty into account, and the risk that the specified value is in tolerance or out of tolerance could be up to 50%.

Statements of conformity are reported as:



*Graphical representation of a Binary Statement – Simple Acceptance*

**Case 1 – Below tolerance limit**

**Status: In tolerance**

- The result is inside the acceptance interval. Uncertainty is not taken into account. Green.

**Case 2 – Below tolerance limit, uncertainty overlapping tolerance limit**

**Status: In tolerance**

- The result is inside the acceptance interval and the risk that the result is outside of the tolerance interval could be up to 50%. Uncertainty is not taken into account. Green.

**Case 3 – Greater than tolerance limit, uncertainty overlapping tolerance limit**

**Status: Out of tolerance**

- The result is inside the rejection interval and the risk that the result is inside the tolerance interval could be up to 50%. Uncertainty is not taken into account. Red.

**Case 4 – Greater than tolerance limit**

**Status: Out of tolerance**

- The result is inside the rejection interval. Uncertainty is not taken into account. Red.



**Instrumentation  
Saint-Laurent**<sup>inc.</sup>  
Certified ISO 17025



80 rue de la montagne  
St-Joseph du lac  
(Québec), J0N 1M0  
Phone: (450) 473-6169  
Fax: (450) 473-5207  
Email: inst.st-laurent@videotron.ca

## CALIBRATION CERTIFICATE

<b>CERTIFICATE #</b>		<b>CE-EM-136 2022-05-25</b>	
<b>CLIENT</b>		<b>CALIBRATION SPECIFICATION</b>	
<b>Company:</b>	Services Polytests Inc	<b>Service Procedure:</b>	ISL-004
<b>Address:</b>	695 B rue Gaudette	<b>Required Accuracy:</b>	+/-2°C +/-3%RH
	St-Jean-sur-Richelieu, Québec, J3B 7S7	<b>Calibration Frequency:(days)</b>	365
<b>INSTRUMENT SPECIFICATION</b>			
<b>Instrument Type:</b>	Hygrometer	<b>Input Type:</b>	Temp/%RH
<b>Manufacturer:</b>	Fluke	<b>Output Type:</b>	Digitale
<b>Model #:</b>	971	<b>Measurement Type:</b>	Temp/Humidity
<b>Serial #:</b>	10610850	<b>Range:</b>	5-95%RH -20a60°C
<b>Location:</b>	N.A.	<b>Version:</b>	
<b>CALIBRATORS SPECIFICATION</b>			
<b>Calibrator:</b>	Hygrometre 485B-1/RPM	<b>Certification #:</b>	2022001936
<b>Serial #:</b>	035V4V	<b>Certification Date:</b>	2022-03-11
<b>Certified by:</b>	Alpha Controls	<b>Next Certification:</b>	2023-03-11
<b>Comments:</b>			





**Instrumentation  
Saint-Laurent** inc.  
Certified ISO 17025



80 rue de la montagne  
St-Joseph du lac  
(Québec), J0N 1M0  
Phone: (450) 473-6169  
Fax: (450) 473-5207  
Email: inst.st-laurent@videotron.ca

## CALIBRATION CERTIFICATE

<b>CERTIFICATE #</b>	<b>CE-EM-136 2022-05-25</b>
----------------------	-----------------------------

CALIBRATION RESULTS						
Entry Source	Given Value	Actual Value	Deviation Error	After Calib Value	Accuracy	Uncertainty
<b>Conformity</b>	<b>Comment</b>					
25.0 °C	25.0 °C	25.1 °C	+0.1 °C	25.1 °C	+/- 2.0 °C	1.0 °C
40.0 °C	40.0 °C	40.3 °C	+0.3 °C	40.3 °C	+/- 2.0 °C	1.0 °C
30.0 %RH	30.0 %RH	28.1 %RH	-1.9 %RH	28.1 %RH	+/- 3.0 %RH	-- %RH
55.0 %RH	55.0 %RH	52.8 %RH	-2.2 %RH	52.8 %RH	+/- 3.0 %RH	-- %RH
75.0 %RH	75.0 %RH	73.8 %RH	-1.2 %RH	73.8 %RH	+/- 3.0 %RH	-- %RH


<b>Environmental Conditions:</b>	Temperature: 22 °C	Humidity: 39 %RH
<b>Comments:</b>		

CALIBRATION DATE/ISSUANCE OF CERTIFICATE	
<b>Calibration Date:</b>	2022-05-25
<b>Next Calibration:</b>	2023-05-25
<b>Certificate Date:</b>	2022-05-25

CALIBRATION CONFORMITY		
	Before	After
<b>Compliant:</b>	X	X
<b>Non Compliant:</b>		

- ▣ Instrumentation St. Laurent Inc. Certify that the above instrument, meets or exceeds the specifications established by the manufacturer. The company's quality system complies with the requirements of ISO 17025 :2017 and the standards used to perform the calibration is traceable to NRC and / or NIST.
- ▣ Reported uncertainties represent a 95 % of confidence level assuming a normal distribution k=2.
- ▣ The declaration of conformity does not include Instrumentation St-Laurent Inc. uncertainty measurement. Decision rule is based on binary statement for simple acceptance rule against ILAC G8 standard and test tolerance limits are based on customer specifications, unless otherwise specified.
- ▣ The results presented in this certificate relate only to objects subject to calibration.
- ▣ It is the customer's responsibility to ensure that calibrated equipment meets its intended use.
- ▣ The date format used in this certificate is: YYYY-MM-DD.

Assessment Service Calibration Laboratory (ASCL) of the National Research Council of Canada (NRC) has assessed and certified calibration laboratory's ability and traceability to the International System of Units (SI) or to standards acceptable according to ASCL. This calibration certificate is issued in accordance with the terms of ASCL certification and accreditation requirements of the Standards Council of Canada (SCC). SCC accreditation number: # 669. ASCL and SCC does not guarantee the accuracy of individual calibrations by accredited laboratories.



Martin Langlais - Technicien



Version 1





**Instrumentation  
Saint-Laurent** inc.  
Certified ISO 17025



80 rue de la montagne  
St-Joseph du lac  
(Québec), J0N 1M0  
Phone: (450) 473-6169  
Fax: (450) 473-5207  
Email: inst.st-laurent@videotron.ca

## CALIBRATION CERTIFICATE

<b>CERTIFICATE #</b>	<b>CE-EM-147 2022-05-11</b>
----------------------	-----------------------------

CLIENT		CALIBRATION SPECIFICATION	
<b>Company:</b>	Services Polytests Inc	<b>Service Procedure:</b>	4IN9101
<b>Address:</b>	695 B rue Gaudette	<b>Required Accuracy:</b>	+/- 2.0C
	St-Jean-sur-Richelieu, Québec, J3B 7S7	<b>Calibration Frequency:(days)</b>	365

INSTRUMENT SPECIFICATION			
<b>Instrument Type:</b>	Recorder	<b>Input Type:</b>	Divers
<b>Manufacturer:</b>	Keithley	<b>Output Type:</b>	Digital
<b>Model #:</b>	2700	<b>Measurement Type:</b>	Temperature
<b>Serial #:</b>	1349443	<b>Range:</b>	Divers
<b>Location:</b>	N.A.	<b>Version:</b>	

CALIBRATORS SPECIFICATION			
<b>Calibrator:</b>	Fluke 744	<b>Certification #:</b>	2022003082
<b>Serial #:</b>	8180008	<b>Certification Date:</b>	2022-04-12
<b>Certified by:</b>	Alpha Controls	<b>Next Certification:</b>	2023-04-12
<b>Comments:</b>			



**Instrumentation  
Saint-Laurent** inc.  
Certified ISO 17025



80 rue de la montagne  
St-Joseph du lac  
(Québec), J0N 1M0  
Phone: (450) 473-6169  
Fax: (450) 473-5207  
Email: inst.st-laurent@videotron.ca

## CALIBRATION CERTIFICATE

<b>CERTIFICATE #</b>	<b>CE-EM-147 2022-05-11</b>
----------------------	-----------------------------

CALIBRATION RESULTS						
Entry Source	Given Value	Actual Value	Deviation Error	After Calib Value	Accuracy	Uncertainty
Conformity	Comment					
EntrySource	GivenValue	ActualValue	Deviation	Post Calib	Tolerance	Incertitude
Conformity	Voir Commentaire					


<b>Environmental Conditions:</b>	Temperature: 21 °C	Humidity: 42 %RH
<b>Comments:</b>	Data Acquisition system Conforme	
	Les 2 slot de l'enregistreur ont été vérifié.	

CALIBRATION DATE/ISSUANCE OF CERTIFICATE	
<b>Calibration Date:</b>	2022-05-11
<b>Next Calibration:</b>	2023-05-11
<b>Certificate Date:</b>	2022-05-11

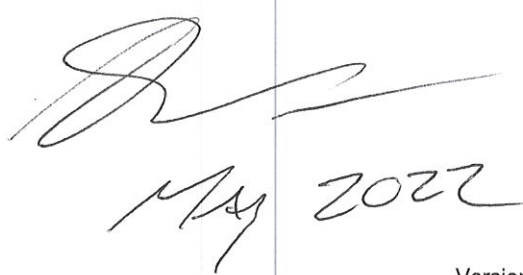
CALIBRATION CONFORMITY		
	Before	After
<b>Compliant:</b>	X	X
<b>Non Compliant:</b>		

- ▣ Instrumentation St. Laurent Inc. Certify that the above instrument, meets or exceeds the specifications established by the manufacturer. The company's quality system complies with the requirements of ISO 17025 :2017 and the standards used to perform the calibration is traceable to NRC and / or NIST.
- ▣ Reported uncertainties represent a 95 % of confidence level assuming a normal distribution k=2.
- ▣ The declaration of conformity does not include Instrumentation St-Laurent Inc. uncertainty measurement. Decision rule is based on binary statement for simple acceptance rule against ILAC G8 standard and test tolerance limits are based on customer specifications, unless otherwise specified.
- ▣ The results presented in this certificate relate only to objects subject to calibration.
- ▣ It is the customer's responsibility to ensure that calibrated equipment meets its intended use.
- ▣ The date format used in this certificate is: YYYY-MM-DD.

Assessment Service Calibration Laboratory (ASCL) of the National Research Council of Canada (NRC) has assessed and certified calibration laboratory's ability and traceability to the International System of Units (SI) or to standards acceptable according to ASCL. This calibration certificate is issued in accordance with the terms of ASCL certification and accreditation requirements of the Standards Council of Canada (SCC). SCC accreditation number: # 669. ASCL and SCC does not guarantee the accuracy of individual calibrations by accredited laboratories.



Marco Miron - Technicien







**Instrumentation  
Saint-Laurent**<sub>inc.</sub>  
Certified ISO 17025



80 rue de la montagne  
St-Joseph du lac  
(Québec), J0N 1M0  
Phone: (450) 473-6169  
Fax: (450) 473-5207  
Email: inst.st-laurent@videotron.ca

## CALIBRATION CERTIFICATE

<b>CERTIFICATE #</b>		<b>CE-EM-154/2 2022-11-21</b>	
<b>CLIENT</b>		<b>CALIBRATION SPECIFICATION</b>	
<b>Company:</b>	Services Polytests Inc	<b>Service Procedure:</b>	4IN9101
<b>Address:</b>	695 B rue Gaudette	<b>Required Accuracy:</b>	+/- 4.0°F
	St-Jean-sur-Richelieu, Québec, J3B 7S7	<b>Calibration Frequency:(days)</b>	181
<b>INSTRUMENT SPECIFICATION</b>			
<b>Instrument Type:</b>	Recorder	<b>Input Type:</b>	Temp
<b>Manufacturer:</b>	Keithley	<b>Output Type:</b>	Digitale
<b>Model #:</b>	7700	<b>Measurement Type:</b>	Temperature
<b>Serial #:</b>	1306774	<b>Range:</b>	Divers
<b>Location:</b>	N/A	<b>Version:</b>	<b>Machine: N.A.</b>
<b>CALIBRATORS SPECIFICATION</b>			
<b>Calibrator:</b>	AMS Fluke 744	<b>Certification #:</b>	CE-8180008 2022-10-18
<b>Serial #:</b>	8180008	<b>Certification Date:</b>	2022-10-18
<b>Certified by:</b>	Instrumentation st Laurent	<b>Next Certification:</b>	2023-01-18
<b>Comments:</b>			
<b>Calibrator:</b>	TCN-22	<b>Certification #:</b>	TCN-22
<b>Serial #:</b>	TCN-22	<b>Certification Date:</b>	2022-10-09
<b>Certified by:</b>	ISL	<b>Next Certification:</b>	2023-01-07
<b>Comments:</b>			



**Instrumentation  
Saint-Laurent** inc.  
Certified ISO 17025



80 rue de la montagne  
St-Joseph du lac  
(Québec), J0N 1M0  
Phone: (450) 473-6169  
Fax: (450) 473-5207  
Email: inst.st-laurent@videotron.ca

## CALIBRATION CERTIFICATE

<b>CERTIFICATE #</b>	<b>CE-EM-154/2 2022-11-21</b>
----------------------	-------------------------------

CALIBRATION RESULTS						
Entry Source	Given Value	Actual Value	Deviation Error	After Calib Value	Accuracy	Uncertainty
Conformity	Comment					
85.0 °F Compliant	85.0 °F	84.6 °F	-0.4 °F	84.6 °F	+/- 4.0 °F	+/- 0.5 °F
ID. No. 111 (Filtre 1) en type "T" En Loop avec EM-154						
85.0 °F Compliant	85.0 °F	84.5 °F	-0.5 °F	84.5 °F	+/- 4.0 °F	+/- 0.5 °F
ID. No. 111-2 (Filtre 1) en type "T" En Loop avec EM-154						
85.0 °F Compliant	85.0 °F	84.4 °F	-0.6 °F	84.4 °F	+/- 4.0 °F	+/- 0.4 °F
ID. No. 112 (Filtre 2) en type "T" En Loop avec EM-154						
125.0 °F Compliant	125.0 °F	124.6 °F	-0.4 °F	124.6 °F	+/- 4.0 °F	+/- 0.4 °F
ID. No. 113 (Tunnel) en type "J" En Loop avec EM-154						
70.0 °F Compliant	70.0 °F	69.7 °F	-0.3 °F	69.7 °F	+/- 4.0 °F	+/- 0.4 °F
ID. No. 114 (Room) en type "J" En Loop avec EM-154						
70.0 °F Compliant	70.0 °F	69.4 °F	-0.6 °F	69.4 °F	+/- 4.0 °F	+/- 0.4 °F
ID. No. 116 (Analyzer gaz) en type "J" En Loop avec EM-154						

<b>Environmental Conditions:</b>	Temperature: 21 °C	Humidity: 41 %RH
----------------------------------	--------------------	------------------


**Comments:**

CALIBRATION DATE/ISSUANCE OF CERTIFICATE	
<b>Calibration Date:</b>	2022-11-21
<b>Next Calibration:</b>	2023-05-21
<b>Certificate Date:</b>	2022-11-21

CALIBRATION CONFORMITY		
	Before	After
<b>Compliant:</b>	X	X
<b>Non Compliant:</b>		

- ▣ Instrumentation St. Laurent Inc. Certify that the above instrument, meets or exceeds the specifications established by the manufacturer. The company's quality system complies with the requirements of ISO 17025 :2017 and the standards used to perform the calibration is traceable to NRC and / or NIST.
- ▣ Reported uncertainties represent a 95 % of confidence level assuming a normal distribution k=2.
- ▣ The declaration of conformity does not include Instrumentation St-Laurent Inc. uncertainty measurement. Decision rule is based on binary statement for simple acceptance rule against ILAC G8 standard and test tolerance limits are based on customer specifications, unless otherwise specified.
- ▣ The results presented in this certificate relate only to objects subject to calibration.
- ▣ It is the customer's responsibility to ensure that calibrated equipment meets its intended use.
- ▣ The date format used in this certificate is: YYYY-MM-DD.

Assessment Service Calibration Laboratory (ASCL) of the National Research Council of Canada (NRC) has assessed and certified calibration laboratory's ability and traceability to the International System of Units (SI) or to standards acceptable according to ASCL. This calibration certificate is issued in accordance with the terms of ASCL certification and accreditation requirements of the Standards Council of Canada (SCC). SCC accreditation number: # 669. ASCL and SCC does not guarantee the accuracy of individual calibrations by accredited laboratories.



Marco Miron - Technicien

*[Handwritten Signature]*  
2022-11-22





**Instrumentation  
Saint-Laurent**<sup>inc.</sup>  
Certified ISO 17025



80 rue de la montagne  
St-Joseph du lac  
(Québec), J0N 1M0  
Phone: (450) 473-6169  
Fax: (450) 473-5207  
Email: inst.st-laurent@videotron.ca

## CALIBRATION CERTIFICATE

<b>CERTIFICATE #</b>		CE-EM-154 2022-05-11	
<b>CLIENT</b>		<b>CALIBRATION SPECIFICATION</b>	
<b>Company:</b>	Services Polytests Inc	<b>Service Procedure:</b>	4IN9101
<b>Address:</b>	695 B rue Gaudette	<b>Required Accuracy:</b>	+/- 2°C
	St-Jean-sur-Richelieu, Québec, J3B 7S7	<b>Calibration Frequency:(days)</b>	365
<b>INSTRUMENT SPECIFICATION</b>			
<b>Instrument Type:</b>	Recorder	<b>Input Type:</b>	Temp
<b>Manufacturer:</b>	Keithley	<b>Output Type:</b>	Digitale
<b>Model #:</b>	7700	<b>Measurement Type:</b>	Temperature
<b>Serial #:</b>	1306774	<b>Range:</b>	Divers
<b>Location:</b>	N/A	<b>Version:</b>	
<b>CALIBRATORS SPECIFICATION</b>			
<b>Calibrator:</b>	Fluke 744	<b>Certification #:</b>	2022003082
<b>Serial #:</b>	8180008	<b>Certification Date:</b>	2022-04-12
<b>Certified by:</b>	Alpha Controls	<b>Next Certification:</b>	2023-04-12
<b>Comments:</b>			





Instrumentation  
**Saint-Laurent**<sub>inc.</sub>  
Certified ISO 17025



80 rue de la montagne  
St-Joseph du lac  
(Québec), J0N 1M0  
Phone: (450) 473-6169  
Fax: (450) 473-5207  
Email: inst.st-laurent@videotron.ca

## CALIBRATION CERTIFICATE

<b>CERTIFICATE #</b>	<b>CE-EM-154 2022-05-11</b>
----------------------	-----------------------------

CALIBRATION RESULTS						
Entry Source	Given Value	Actual Value	Deviation Error	After Calib Value	Accuracy	Uncertainty
Conformity	Comment					
-17.000 mV Compliant	-17.000 mV Input#1	-17.106 mV	-0.106 mV	-17.106 mV	+/- 0.500 mV	0.1 mV
0.000 mV Compliant	0.000 mV Input#1	-0.105 mV	-0.105 mV	-0.105 mV	+/- 0.500 mV	0.1 mV
20.000 mV Compliant	20.000 mV Input#1	19.897 mV	-0.103 mV	19.897 mV	+/- 0.500 mV	0.1 mV
30.000 mV Compliant	30.000 mV Input#2	29.870 mV	-0.130 mV	29.870 mV	+/- 0.500 mV	0.1 mV
30.000 mV Compliant	30.000 mV Input#3 Non-Conforme	29.870 mV	-0.130 mV	29.870 mV	+/- 0.500 mV	0.1 mV
5.000 V.DC. Compliant	5.000 V.DC. Input#4	5.000 V.DC.	0.000 V.DC.	5.000 V.DC.	+/- 0.050 V.DC.	0.1 V.DC.
30.000 mV Compliant	30.000 mV Input#5	29.647 mV	-0.353 mV	29.647 mV	+/- 0.050 mV	0.1 mV
30.000 mV Compliant	30.000 mV Input#6	29.642 mV	-0.358 mV	29.642 mV	+/- 0.050 mV	0.1 mV
100.00 Ohms Non-Compliant	100.00 Ohms Input#7	101.02 Ohms	+1.02 Ohms	101.02 Ohms	+/- 0.10 Ohms	+/- 0.051 Ohms
100.00 Ohms Non-Compliant	100.00 Ohms Input#8	101.00 Ohms	+1.00 Ohms	101.00 Ohms	+/- 0.10 Ohms	+/- 0.051 Ohms
100.00 Ohms Non-Compliant	100.00 Ohms Input#9	101.00 Ohms	+1.00 Ohms	101.00 Ohms	+/- 0.10 Ohms	+/- 0.051 Ohms
100.00 Ohms Non-Compliant	100.00 Ohms Input#10	100.90 Ohms	+0.90 Ohms	100.90 Ohms	+/- 0.10 Ohms	+/- 0.051 Ohms
100.0 °C Compliant	100.0 °C Input#11 TypeT	99.6 °C	-0.4 °C	99.6 °C	+/- 2.0 °C	+/- 0.3 °C
100.0 °C Compliant	100.0 °C Input#12 TypeT	99.6 °C	-0.4 °C	99.6 °C	+/- 2.0 °C	+/- 0.3 °C
100.0 °C Compliant	100.0 °C Input#13 TypeJ	99.7 °C	+0.3 °C	99.7 °C	+/- 2.0 °C	+/- 0.2 °C
100.0 °C Compliant	100.0 °C Input#14 TypeJ	99.7 °C	-0.3 °C	99.7 °C	+/- 2.0 °C	+/- 0.2 °C
100.0 °C Compliant	100.0 °C Input#15 TypeJ	99.9 °C	-0.1 °C	99.9 °C	+/- 2.0 °C	+/- 0.2 °C
100.0 °C Compliant	100.0 °C Input#16 TypeJ	99.7 °C	-0.3 °C	99.7 °C	+/- 2.0 °C	+/- 0.2 °C
100.00 Ohms Non-Compliant	100.00 Ohms Input#17	101.08 Ohms	+1.08 Ohms	101.08 Ohms	+/- 0.10 Ohms	+/- 0.051 Ohms
100.00 Ohms Non-Compliant	100.00 Ohms Input#18	101.04 Ohms	+1.04 Ohms	101.04 Ohms	+/- 0.10 Ohms	+/- 0.051 Ohms

Version 1





**Instrumentation  
Saint-Laurent inc.**  
Certified ISO 17025



80 rue de la montagne  
St-Joseph du lac  
(Québec), J0N 1M0  
Phone: (450) 473-6169  
Fax: (450) 473-5207  
Email: inst.st-laurent@videotron.ca

## CALIBRATION CERTIFICATE

<b>CERTIFICATE #</b>	<b>CE-EM-154 2022-05-11</b>
----------------------	-----------------------------

CALIBRATION RESULTS						
Entry Source	Given Value	Actual Value	Deviation Error	After Calib Value	Accuracy	Uncertainty
<b>Conformity</b>	<b>Comment</b>					
100.00 Ohms	100.00 Ohms	101.03 Ohms	+0.02 Ohms	101.03 Ohms	+/- 0.10 Ohms	+/- 0.051 Ohms
Non-Compliant	Input#19					
100.00 Ohms	100.00 Ohms	100.99 Ohms	+0.99 Ohms	100.99 Ohms	+/- 0.10 Ohms	+/- 0.051 Ohms
Non-Compliant	Input#20					
12.000 mA	12.000 mA	12.001 mA	+0.001 mA	12.001 mA	+/- 0.100 mA	1.00 mA
Compliant	Input#21					
12.000 mA	12.000 mA	----- mA	----- mA	----- mA	+/- 0.100 mA	1.00 mA
Non-Compliant	Input#22 Fonctionne pas					


<b>Environmental Conditions:</b>	Temperature: 21 °C	Humidity: 42 %RH
<b>Comments:</b>	Test avec EM-147	

CALIBRATION DATE/ISSUANCE OF CERTIFICATE	
<b>Calibration Date:</b>	2022-05-11
<b>Next Calibration:</b>	2023-05-11
<b>Certificate Date:</b>	2022-05-11

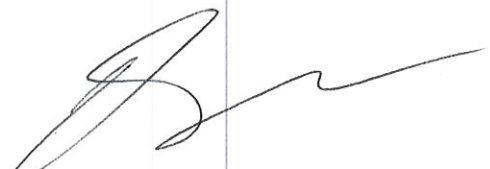
CALIBRATION CONFORMITY		
	Before	After
<b>Compliant:</b>	X	X
<b>Non Compliant:</b>		

- ▣ Instrumentation St. Laurent Inc. Certify that the above instrument, meets or exceeds the specifications established by the manufacturer. The company's quality system complies with the requirements of ISO 17025 :2017 and the standards used to perform the calibration is traceable to NRC and / or NIST.
- ▣ Reported uncertainties represent a 95 % of confidence level assuming a normal distribution k=2.
- ▣ The declaration of conformity does not include Instrumentation St-Laurent Inc. uncertainty measurement. Decision rule is based on binary statement for simple acceptance rule against ILAC G8 standard and test tolerance limits are based on customer specifications, unless otherwise specified.
- ▣ The results presented in this certificate relate only to objects subject to calibration.
- ▣ It is the customer's responsibility to ensure that calibrated equipment meets its intended use.
- ▣ The date format used in this certificate is: YYYY-MM-DD.

Assessment Service Calibration Laboratory (ASCL) of the National Research Council of Canada (NRC) has assessed and certified calibration laboratory's ability and traceability to the International System of Units (SI) or to standards acceptable according to ASCL. This calibration certificate is issued in accordance with the terms of ASCL certification and accreditation requirements of the Standards Council of Canada (SCC). SCC accreditation number: # 669. ASCL and SCC does not guarantee the accuracy of individual calibrations by accredited laboratories.



Marco Miron - Technicien



May 2022

**CALIBRATION CERTIFICATE # 18665**

Calibration date : 2023-01-30  
Certificate issued : 2023-01-30

Services Polytests  
695 B Gaudette street  
St-Jean-sur-Richelieu, Québec, Canada  
J3B 7S7

Calibration of  
Shinigawa DCDA-2c S/N : 23544

**QUALITY PROGRAM CONFORMANCE**

All calibrations are performed in accordance with Polycontrols Laboratory Quality Assurance Manual and conform to ISO/IEC 17025: 2017, ISO 9001 – 2015 and/or other quality requirements defined in customers purchase descriptions. The results are strictly valid for the device under test or calibration. If applicable, the decision rule is described in the certificate.

**TRACEABILITY**

The traceability for flow standard to the National Institute of Standards and Technology, NIST, is maintained by Fluke Corporation of Phoenix, Arizona and conform to ISO/IEC 17025, ANSI/NCSL Z540-1-1994, ISO-10012-1 and MIL-STD 45662A.

The Calibration Laboratory Assessment Service (CLAS) of the National Research Council of Canada (NRC) has assessed and certified specific calibration capabilities of this laboratory and traceability to the International System of Units (SI) or to standards acceptable to the CLAS program. This certificate of calibration is issued in accordance with the conditions of certification granted by CLAS and the conditions of accreditation granted by the Standards Council of Canada (SCC). Neither CLAS nor SCC guarantee the accuracy of individual calibrations by accredited laboratories.

**CALIBRATION OF MEASURING AND TEST EQUIPMENT**

For calibration measurement capability, please refer to the Canadian Calibration Network web page at the National Research Council of Canada. This laboratory is accredited by the Standards Council of Canada as part of the Calibration Laboratory Assessment Service (CLAS) program and is listed at nrc.canada.ca.

This document forms part of the Certificate of Accreditation issued by the Standards Council of Canada (SCC). The original version is available in the Directory of Accredited Laboratories on the SCC website at www.scc.ca.

**CONDITION SUMMARY OF THE DEVICE UNDER TEST**

Initial conditions	In good condition
Work done	Calibration of the instrument Initial readings = Final readings, no adjustment
Results	Final readings in tolerance with 0.98 as K-factor
Remarks	Calibration frequency every 6 months Device under test corrected = Display of the instrument * K factor of 0.98



Bernard Poirier  
Metrologist



Laboratory Manager



### Calibration certificate # 18665

Serial Number:	23544	Test stand:	
Calibration Date:	2023-01-30	Procedure:	POS-CAL-005
Instrument ID:	EM-178	Decision rule:	Method #3

### Standard equipment used for final calibration

Description	Model	Serial #	Traceability	Due date
Fluke molbloc_30 slpm	3E4-VCR-V-Q	2403	1500339201	2023-09-06
Fluke molbox 1+	Molbox 1+	755+	1500336282	2023-07-21
RTD Mist	M22	3061002	2022005164	2023-06-27
Module 44.5 PSI avec Baro 163671	Module 30	160659	2022003929	2023-05-13

### Final specifications of the device under test


### Calibration conditions

Gas	Air	Gas	Air
Operation temperature		Ambient temperature	22 °C
Inlet pressure		Ambient pressure	1022.63 mbar
Outlet pressure		Orientation	Horizontal
Reference temperature		Seals	Viton
Reference pressure		Valve	
Range	10-2000 ALH		
Input/Output Signals	-		
Supply			
Accuracy	±2 %O.R.		

### Final readings

Test Flow	Device under test	Measured values			Calculated Reference	Calculated Error	Acceptable Error	Uncertainty k = 2	TUR
		Pressure PSIA	Temperature °C	Reference L					
404.8580	67.2770	14.846	20.83	67.9985	67.2463	0.0307	1.3449	0.2230	>4
1200.5958	200.1454	14.863	20.83	202.3481	199.8807	0.2647	3.9976	0.6627	>4
1850.7230	307.0144	14.882	20.83	311.8201	307.6383	-0.6239	6.1528	1.0200	>4

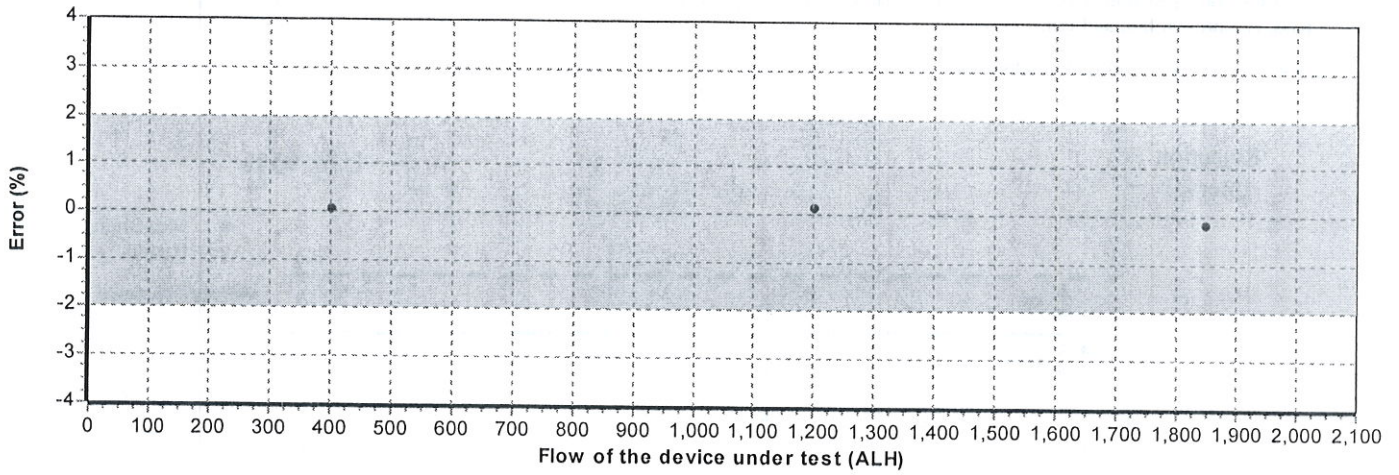
*Te: 0.99954*



## Calibration certificate # 18665

Serial Number:	23544	Test stand:	
Calibration Date:	2023-01-30	Procedure:	POS-CAL-005
Instrument ID:	EM-178	Decision rule:	Method #3

## Final results



See the appendix for the guideline of decision rule

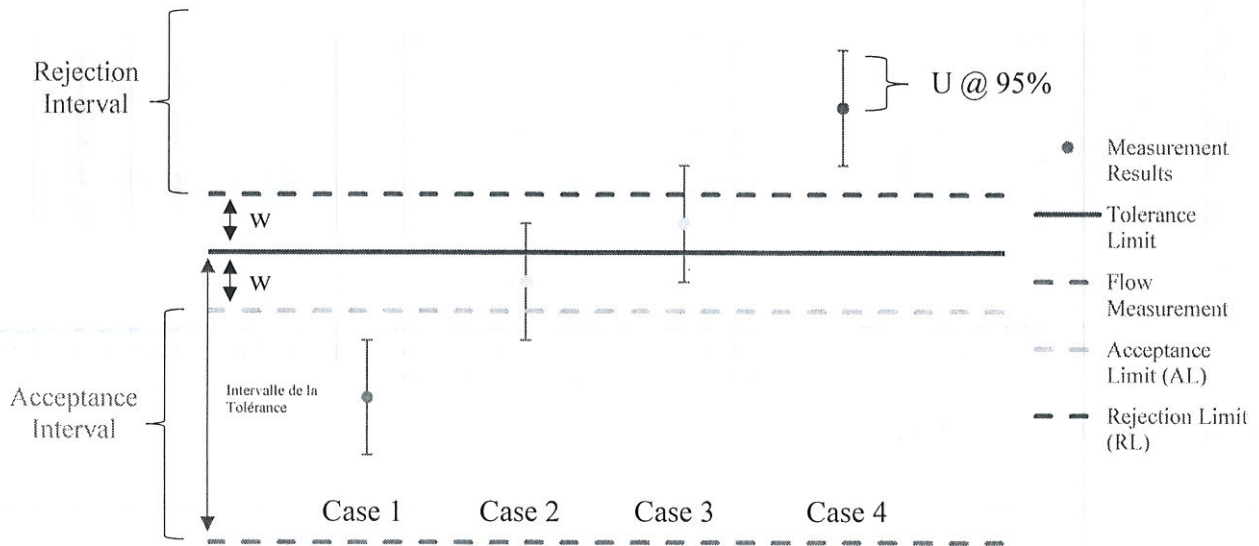


*Appendix for the decision rule*

**Method #3 Non-binary Statement with Guard Band, uncertainty directly taken into account**

This decision rule uses a guard band to define the acceptance and rejection interval. The acceptance limit is defined by the following mathematical formula  $AL = TL - w$  and the rejection limit  $RL = TL + w$ , where  $w = rU$ . The multiple  $r$  that is multiplied by the expanded measurement uncertainty  $U$  can be defined following ILAC G8: 2019 table 1 section 5.2. The expanded measurement uncertainty  $U$  has a 95% coverage probability ( $k = 2$ ). Non-binary statement with guard band exists when the result is limited to four choices: pass, conditional pass, conditional fail, and fail.

Statements of conformity are reported as:



*Graphical representation of a Non-Binary Statement with a Guard Band*

**Case 1 – Below acceptance limit AL**

**Status: In tolerance**

- The result is inside the acceptance interval. However, assuming a normal distribution, the risk that the result is outside the tolerance limit could be up to 2.5%. Uncertainty is directly taken into account. Green.

**Case 2 – Below tolerance limit TL, greater than acceptance limit AL**

**Status: In tolerance-Conditional**

- The result is outside the acceptance interval but below tolerance limit. However, the observed value is inside the guard band  $w = TL - AL$  and the status is conditional on the customer's risk assessment. Uncertainty is directly taken into account. Yellow.

**Case 3 – Greater than tolerance limit, below rejection limit RL**

**Status: Out of tolerance-Conditional**

- The result is greater than tolerance limit but outside the rejection interval. However, the observed value is inside the guard band  $w = TL - RL$  and the status is conditional on the customer's risk assessment. Uncertainty is directly taken into account. Yellow.

**Case 4 – Greater than rejection limit RL**

**Status: Out of tolerance**

- The result is inside the rejection interval. Uncertainty is directly taken into account. Red.



**CALIBRATION CERTIFICATE # 18668**

Calibration date : 2023-01-30

Certificate issued : 2023-01-30

Services Polytests  
695 B Gaudette street  
St-Jean-sur-Richelieu, Québec, Canada  
J3B 7S7

Calibration of  
Shinigawa DC Da-2c S/N : 23543

**QUALITY PROGRAM CONFORMANCE**

All calibrations are performed in accordance with Polycontrols Laboratory Quality Assurance Manual and conform to ISO/IEC 17025: 2017, ISO 9001 – 2015 and/or other quality requirements defined in customers purchase descriptions. The results are strictly valid for the device under test or calibration. If applicable, the decision rule is described in the certificate.

**TRACEABILITY**

The traceability for flow standard to the National Institute of Standards and Technology, NIST, is maintained by Fluke Corporation of Phoenix, Arizona and conform to ISO/IEC 17025, ANSI/NCSL Z540-1-1994, ISO-10012-1 and MIL-STD 45662A.

The Calibration Laboratory Assessment Service (CLAS) of the National Research Council of Canada (NRC) has assessed and certified specific calibration capabilities of this laboratory and traceability to the International System of Units (SI) or to standards acceptable to the CLAS program. This certificate of calibration is issued in accordance with the conditions of certification granted by CLAS and the conditions of accreditation granted by the Standards Council of Canada (SCC). Neither CLAS nor SCC guarantee the accuracy of individual calibrations by accredited laboratories.

**CALIBRATION OF MEASURING AND TEST EQUIPMENT**

For calibration measurement capability, please refer to the Canadian Calibration Network web page at the National Research Council of Canada. This laboratory is accredited by the Standards Council of Canada as part of the Calibration Laboratory Assessment Service (CLAS) program and is listed at nrc.canada.ca.

This document forms part of the Certificate of Accreditation issued by the Standards Council of Canada (SCC). The original version is available in the Directory of Accredited Laboratories on the SCC website at www.scc.ca.

**CONDITION SUMMARY OF THE DEVICE UNDER TEST**

Initial conditions	In good condition
Work done	Calibration of the instrument Initial readings = Final readings, no adjustment
Results	Final readings in tolerance with 0.98 as K-factor
Remarks	Calibration frequency every 6 months Device under test corrected = Display of the instrument * K factor of 0.98



Bernard Poirier  
Metrologist



Laboratory Manager



### Calibration certificate # 18668

Serial Number:	23543	Test stand:	3
Calibration Date:	2023-01-30	Procedure:	POS-CAL-005
Instrument ID:	EM-179	Decision rule:	Method #3

### Standard equipment used for final calibration

Description	Model	Serial #	Traceability	Due date
Fluke molbloc_30 slpm	3E4-VCR-V-Q	2403	1500339201	2023-09-06
Fluke molbox 1+	Molbox 1+	755+	1500336282	2023-07-21
RTD Mist	M22	3061002	2022005164	2023-06-27
Module 44.5 PSI avec Baro 163671	Module 30	160659	2022003929	2023-05-13

### Final specifications of the device under test

### Calibration conditions

Gas	Air	Gas	Air
Operation temperature		Ambient temperature	22 °C
Inlet pressure		Ambient pressure	1022.73 mbar
Outlet pressure		Orientation	Horizontal
Reference temperature		Seals	Viton
Reference pressure		Valve	
Range	10-2000 ALH		
Input/Output Signals	-		
Supply			
Accuracy	±2 %O.R.		

### Final readings

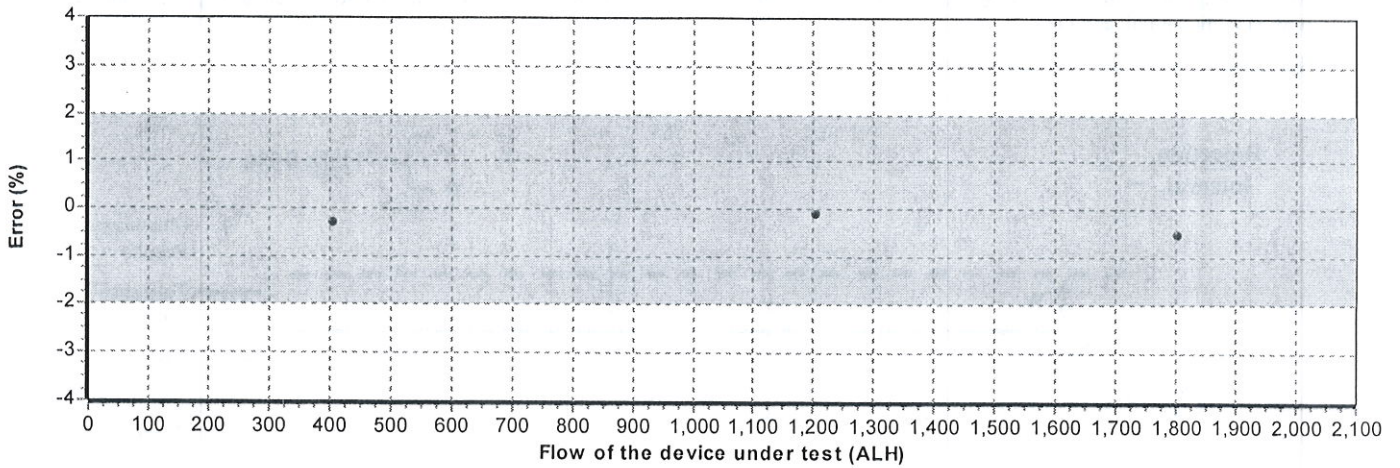
Test Flow ALH	Device under test L	Measured values			Calculated Reference L	Calculated Error L	Acceptable Error L	Uncertainty k = 2 L	TUR
		Pressure PSIA	Temperature °C	Reference L					
406.1634	67.4828	14.849	20.83	68.4495	67.6819	-0.1991	1.3536	0.2244	>4
1204.6977	200.6256	14.863	20.83	203.3279	200.8495	-0.2239	4.0170	0.6659	>4
1801.2122	298.5570	14.881	20.83	304.3107	300.2383	-1.6813	6.0048	0.9954	>4

*Fe: 1.00295*

### Calibration certificate # 18668

Serial Number:	23543	Test stand:	3
Calibration Date:	2023-01-30	Procedure:	POS-CAL-005
Instrument ID:	EM-179	Decision rule:	Method #3

### Final results



See the appendix for the guideline of decision rule

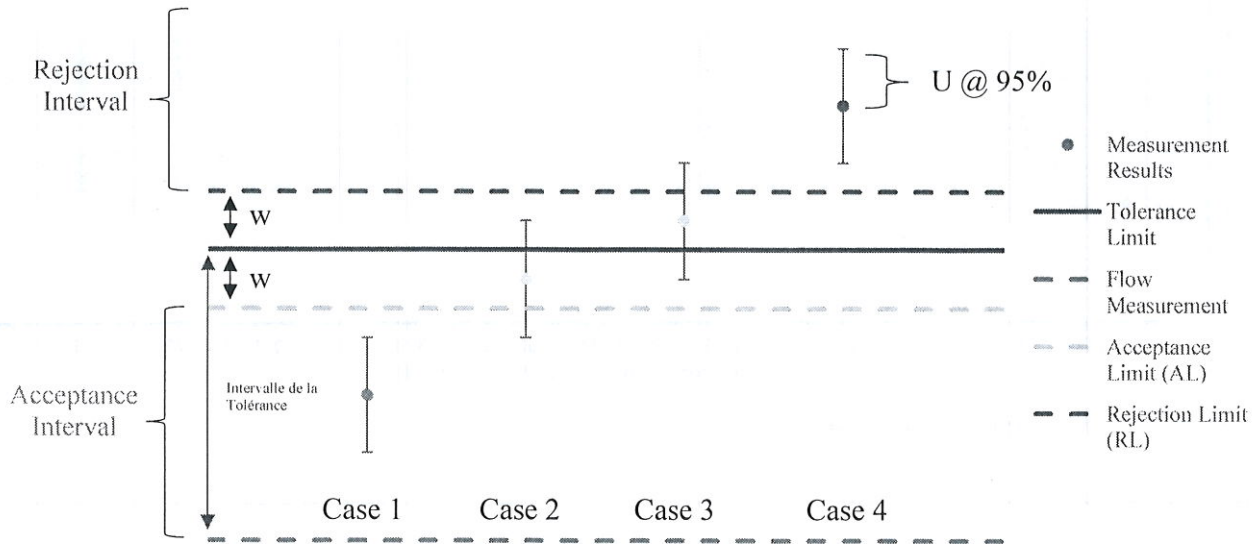


*Appendix for the decision rule*

**Method #3 Non-binary Statement with Guard Band, uncertainty directly taken into account**

This decision rule uses a guard band to define the acceptance and rejection interval. The acceptance limit is defined by the following mathematical formula  $AL = TL - w$  and the rejection limit  $RL = TL + w$ , where  $w = rU$ . The multiple  $r$  that is multiplied by the expanded measurement uncertainty  $U$  can be defined following ILAC G8: 2019 table 1 section 5.2. The expanded measurement uncertainty  $U$  has a 95% coverage probability ( $k = 2$ ). Non-binary statement with guard band exists when the result is limited to four choices: pass, conditional pass, conditional fail, and fail.

Statements of conformity are reported as:



*Graphical representation of a Non-Binary Statement with a Guard Band*

**Case 1 – Below acceptance limit AL**

**Status: In tolerance**

- The result is inside the acceptance interval. However, assuming a normal distribution, the risk that the result is outside the tolerance limit could be up to 2.5%. Uncertainty is directly taken into account. Green.

**Case 2 – Below tolerance limit TL, greater than acceptance limit AL**

**Status: In tolerance-Conditional**

- The result is outside the acceptance interval but below tolerance limit. However, the observed value is inside the guard band  $w = TL - AL$  and the status is conditional on the customer's risk assessment. Uncertainty is directly taken into account. Yellow.

**Case 3 – Greater than tolerance limit, below rejection limit RL**

**Status: Out of tolerance-Conditional**

- The result is greater than tolerance limit but outside the rejection interval. However, the observed value is inside the guard band  $w = TL - RL$  and the status is conditional on the customer's risk assessment. Uncertainty is directly taken into account. Yellow.

**Case 4 – Greater than rejection limit RL**

**Status: Out of tolerance**

- The result is inside the rejection interval. Uncertainty is directly taken into account. Red.



# CALIBRATION CERTIFICATE

9900 Chemin de la Côte-de-Liesse, Montréal, QC H8T 1A1  
www.dispersion.ca 1.866.390.5066

<b>Client :</b>	Polytests	<b>Certificate Number :</b>	157-77C603-222
<b>Address :</b>	695 B rue Gaudette Saint-Jean-sur-Richelieu, QC J3B7S7	<b>Calibration date :</b>	04-03-2022

**Technician:**  
Coutu, Daniel

David Llorens, Quality Manager

## SERVICE DESCRIPTION:

<b>Masses description :</b>	NIST F	<b>Date approved :</b>	14-03-2022
<b>Precision class :</b>	NIST F	<b>Next Calibration :</b>	04-03-2026
<b>Density :</b>	7.7g/cm <sup>3</sup>	<b>CCN accreditation # :</b>	668
<b>Identification (if unique) :</b>	DI000D532	<b>CLAS Certification # :</b>	2010-01

<b>Test conditions :</b>	Temp °C: 21.05	kPa Pressure: 102.3	Humidity: 49.4
--------------------------	----------------	---------------------	----------------

## NOTES:

For weight calibration, we use the procedure "Comparaison individuelle" PDL-09-MG-001 and the procedure "Détermination des incertitudes" PDL-09-MG-002. This certificate cannot be copied without written approval from Dispersion Laboratory. The results presented in these pages relate only to objects subjected to calibration.n

## REMARKS:

March 2022 page 1 of 5









## CALIBRATION CERTIFICATE

9900 Chemin de la Côte-de-Liesse, Montréal, QC H8T 1A1  
www.dispersion.ca 1.866.390.5066

### BALANCES

The following balances are used for calibration purposes :

> 5 kg to 25 kg :	Mettler Toledo XP32003L, SNR 1123271214, max. 32100 g, d = 0.005 g
> 1 kg to 5 kg	Mettler Toledo PR5003, SNR 1115311634, max. 5100 g, d = 0.001 g
> 300 g to 2 kg :	Mettler Toledo XP2004S, SNR B131185222, max. 2100 g, d = 0.1 mg
> 100 g to 200 g :	Mettler Toledo AT201 SNR BA1115230146, max. 205 g, d = 0.01 mg
> 5 g to 100 g :	Mettler Toledo AX106 SNR 1127063924, max. 111 g, d = 1 µg
1 mg to 5 g :	Mettler UMX5, SNR 1121103055, max. 5.1 g, d = 0.1 µg

We are also using these balances in our automated procedure :

> 200 g to 1 kg :	Mettler Toledo AX1005 SNR 1127063210, max. 1109 g, d = 0.01 mg
> 5 g to 100 g :	Mettler Toledo AX106 SNR 1120143015, max. 111 g, d = 1 µg
1 mg to 5 g :	Mettler UMX5, SNR 1125140561, max. 5.1 g, d = 0.1 µg

*Our balances are periodically verified, according to our PDL-11-MG-001 control procedure.*

### UNCERTAINTIES:

The following uncertainties exist :

1. *Uncertainty associated with the weighting process.*
2. *Uncertainty associated with air density.*
3. *Uncertainty associated with the measurement standard.*
4. *Uncertainty associated with the density of the mass being calibrated.*

The uncertainty of the weighing process includes long-term reproducibility.

Uncertainties specified in this report are expanded uncertainties representing a confidence level of approximately 95% obtained by multiplying the combined standard uncertainty by a coverage factor of  $k = 2$ . For more detailed information refer to the GUM (Guide to the Expression of Uncertainty in Measurement, 1995 Edition)

### TRACEABILITY

The Calibration Laboratory Assessment Service (CLAS) of the National Research Council of Canada (NRC) has assessed and certified specific calibration capabilities of this laboratory and their traceability to recognized national measurement standards and to the International System of Units (SI). This certificate of calibration is issued in accordance with the conditions of certification granted by CLAS and the conditions of accreditation granted by the Standards Council of Canada (SCC). Neither the CLAS nor the SCC guarantees the accuracy of individual calibration by accredited laboratories.



## CALIBRATION CERTIFICATE

9900 Chemin de la Côte-de-Liesse, Montréal, QC H8T 1A1  
 www.dispersion.ca 1.866.390.5066

### USED REFERENCES

Item	Serial #	Manufacturer	Calibration date	Due date
300g Labo	96-0888-50-2	Denver Instrument Company	01-10-2020	31-03-2022
1kg-1mg Labo	MT-01	Mettler Toledo	01-10-2020	31-03-2022
2kg Labo	96-0888-50-3	Denver Instrument Company	01-10-2020	31-03-2022
1kg Labo	96-088850-1	Denver Instrument Company	01-10-2020	31-03-2022
5kg Labo	129099	Mettler Toledo	01-10-2020	31-03-2022
10kg Labo	DI000G991	Dispersion	23-03-2021	31-03-2022
20kg Labo	69976	Mettler Toledo	06-10-2021	31-10-2022
1 mg-10kg	4000028011	Troemner	15-10-2021	31-10-2022
2kg Labo	129098	Mettler Toledo	01-10-2020	31-03-2022

### ENVIRONMENTAL CONDITIONS

Item	Serial #	Manufacturer	Calibration date	Due date
THE004	107080	Control Company	04-03-2021	31-03-2022





## CALIBRATION CERTIFICATE

<b>CERTIFICATE #</b>		CE-EM-224 2022-05-25	
<b>CLIENT</b>		<b>CALIBRATION SPECIFICATION</b>	
<b>Company:</b>	Services Polytests Inc	<b>Service Procedure:</b>	ISL-022
<b>Address:</b>	695 B rue Gaudette	<b>Required Accuracy:</b>	+/- 1/32"
	St-Jean-sur-Richelieu, Québec, J3B 7S7	<b>Calibration Frequency:(days)</b>	365
<b>INSTRUMENT SPECIFICATION</b>			
<b>Instrument Type:</b>	Ruban à mesurer	<b>Input Type:</b>	Mesure
<b>Manufacturer:</b>	Stanley	<b>Output Type:</b>	N/A
<b>Model #:</b>	Leverlock 12&#39;	<b>Measurement Type:</b>	Inch
<b>Serial #:</b>	N/A	<b>Range:</b>	0 à 12'
<b>Location:</b>	Portable	<b>Version:</b>	
<b>CALIBRATORS SPECIFICATION</b>			
<b>Calibrator:</b>	tape a mesurer	<b>Certification #:</b>	VB-19652440
<b>Serial #:</b>	22091327	<b>Certification Date:</b>	2022-03-10
<b>Certified by:</b>	Starrett	<b>Next Certification:</b>	2023-03-10
<b>Comments:</b>			


## CALIBRATION CERTIFICATE

<b>CERTIFICATE #</b>	<b>CE-EM-224 2022-05-25</b>					
CALIBRATION RESULTS						
Entry Source	Given Value	Actual Value	Deviation Error	After Calib Value	Accuracy	
<b>Comment</b>						
1.00 "	1.00 "	1.00 "	0.00 "	1.00 "	+/- 1/32 "	
36.00 "	36.00 "	36.00 "	0.00 "	36.00 "	+/- 1/32 "	
72.00 "	72.00 "	72.00 "	0.00 "	72.00 "	+/- 1/32 "	
108.00 "	108.00 "	108.00 "	0.00 "	108.00 "	+/- 1/32 "	
132.00 "	132.00 "	132.00 "	0.00 "	132.00 "	+/- 1/32 "	
<b>Environmental Conditions:</b>						
Temperature: 22 °C			Humidity: 39 %RH			
<b>Comments:</b>						

CALIBRATION DATE/ISSUANCE OF CERTIFICATE	
<b>Calibration Date:</b>	2022-05-25
<b>Next Calibration:</b>	2023-05-25
<b>Certificate Date:</b>	2022-05-25

CALIBRATION CONFORMITY		
	Before	After
<b>Compliant:</b>	X	X
<b>Non Compliant:</b>		

- ▣ Instrumentation St. Laurent Inc. Certify that the above instrument, meets or exceeds the specifications established by the manufacturer. The company's quality system complies with the requirements of ISO 17025 :2017 and the standards used to perform the calibration is traceable to NRC and / or NIST.
- ▣ Reported uncertainties represent a 95 % of confidence level assuming a normal distribution k=2.
- ▣ The declaration of conformity does not include Instrumentation St-Laurent Inc. uncertainty measurement. Decision rule is based on binary statement for simple acceptance rule against ILAC G8 standard and test tolerance limits are based on customer specifications, unless otherwise specified.
- ▣ The results presented in this certificate relate only to objects subject to calibration.
- ▣ It is the customer's responsibility to ensure that calibrated equipment meets its intended use.
- ▣ The date format used in this certificate is: YYYY-MM-DD.



Martin Langlais - Technicien



MAY 2022





**Instrumentation  
Saint-Laurent** inc.  
Certified ISO 17025



80 rue de la montagne  
St-Joseph du lac  
(Québec), J0N 1M0  
Phone: (450) 473-6169  
Fax: (450) 473-5207  
Email: inst.st-laurent@videotron.ca

## CALIBRATION CERTIFICATE

<b>CERTIFICATE #</b>		<b>CE-EM-249 2022-05-10</b>	
<b>CLIENT</b>		<b>CALIBRATION SPECIFICATION</b>	
<b>Company:</b>	Services Polytests Inc	<b>Service Procedure:</b>	4IN9106
<b>Address:</b>	695 B rue Gaudette	<b>Required Accuracy:</b>	+/- 0.25 "H2O
	St-Jean-sur-Richelieu, Québec, J3B 7S7	<b>Calibration Frequency:(days)</b>	365
<b>INSTRUMENT SPECIFICATION</b>			
<b>Instrument Type:</b>	Indicator	<b>Input Type:</b>	Pression
<b>Manufacturer:</b>	Dwyer	<b>Output Type:</b>	Voltage
<b>Model #:</b>	MS-321-LCD	<b>Measurement Type:</b>	Pressure
<b>Serial #:</b>	N/A	<b>Range:</b>	0 à 0.10 "H2O
<b>Location:</b>	Banc de test	<b>Version:</b>	
<b>CALIBRATORS SPECIFICATION</b>			
<b>Calibrator:</b>	Fluke Pression	<b>Certification #:</b>	2021008414
<b>Serial #:</b>	3330050	<b>Certification Date:</b>	2021-11-22
<b>Certified by:</b>	Alpha Controls	<b>Next Certification:</b>	2022-11-22
<b>Comments:</b>			
<b>Calibrator:</b>	Fluke 744	<b>Certification #:</b>	2022001379
<b>Serial #:</b>	8223003	<b>Certification Date:</b>	2022-02-18
<b>Certified by:</b>	Alpha Controls	<b>Next Certification:</b>	2022-05-18
<b>Comments:</b>			





**Instrumentation  
Saint-Laurent Inc.**  
Certified ISO 17025



80 rue de la montagne  
St-Joseph du lac  
(Québec), J0N 1M0  
Phone: (450) 473-6169  
Fax: (450) 473-5207  
Email: inst.st-laurent@videotron.ca

## CALIBRATION CERTIFICATE

<b>CERTIFICATE #</b>	<b>CE-EM-249 2022-05-10</b>
----------------------	-----------------------------

CALIBRATION RESULTS						
Entry Source	Given Value	Actual Value	Deviation Error	After Calib Value	Accuracy	Uncertainty
<b>Conformity</b>	<b>Comment</b>					
0.0000 "H2O Compliant	0.0000 "H2O	0.0010 "H2O	0.0010 "H2O	0.0010 "H2O	+/- 0.25 "H2O	0.10 "H2O
Verification of the indicator						
0.0250 "H2O Compliant	0.0250 "H2O	0.0254 "H2O	+0.0004 "H2O	0.0254 "H2O	+/- 0.25 "H2O	0.10 "H2O
Verification of the indicator						
0.0500 "H2O Compliant	0.0500 "H2O	0.0496 "H2O	-0.0004 "H2O	0.0496 "H2O	+/- 0.25 "H2O	0.10 "H2O
Verification of the indicator						
0.0750 "H2O Compliant	0.0750 "H2O	0.0740 "H2O	-0.0010 "H2O	0.0740 "H2O	+/- 0.25 "H2O	0.10 "H2O
Verification of the indicator						
0.1000 "H2O Compliant	0.1000 "H2O	0.9963 "H2O	-0.0037 "H2O	0.9963 "H2O	+/- 0.25 "H2O	0.10 "H2O
Verification of the indicator						
0.0000 "H2O Compliant	0.0000 V.DC.	0.0715 V.DC.	+0.0715 V.DC.	0.0715 V.DC.	+/- 0.5 V.DC.	0.5 V.DC.
Verification of the analogic output						
0.0250 "H2O Compliant	2.5000 V.DC.	2.4770 V.DC.	-0.023 V.DC.	2.4770 V.DC.	+/- 0.5 V.DC.	0.5 V.DC.
Verification of the analogic output						
0.0500 "H2O Compliant	5.0000 V.DC.	4.9157 V.DC.	-0.0843 V.DC.	4.9157 V.DC.	+/- 0.5 V.DC.	0.5 V.DC.
Verification of the analogic output						
0.0750 "H2O Compliant	7.5000 V.DC.	7.4215 V.DC.	-0.0785 V.DC.	7.4215 V.DC.	+/- 0.5 V.DC.	0.5 V.DC.
Verification of the analogic output						
0.1000 "H2O Compliant	10.0000 V.DC.	9.9532 V.DC.	-0.0468 V.DC.	9.9532 V.DC.	+/- 0.5 V.DC.	0.5 V.DC.
Verification of the analogic output						


<b>Environmental Conditions:</b>	Temperature: 21 °C	Humidity: 41 %RH
<b>Comments:</b>		

CALIBRATION DATE/ISSUANCE OF CERTIFICATE	
<b>Calibration Date:</b>	2022-05-10
<b>Next Calibration:</b>	2023-05-10
<b>Certificate Date:</b>	2022-05-10

CALIBRATION CONFORMITY		
	Before	After
<b>Compliant:</b>	X	X
<b>Non Compliant:</b>		

- ▣ Instrumentation St. Laurent Inc. Certify that the above instrument, meets or exceeds the specifications established by the manufacturer. The company's quality system complies with the requirements of ISO 17025 :2017 and the standards used to perform the calibration is traceable to NRC and / or NIST.
- ▣ Reported uncertainties represent a 95 % of confidence level assuming a normal distribution k=2.
- ▣ The declaration of conformity does not include Instrumentation St-Laurent Inc. uncertainty measurement. Decision rule is based on binary statement for simple acceptance rule against ILAC G8 standard and test tolerance limits are based on customer specifications, unless otherwise specified.
- ▣ The results presented in this certificate relate only to objects subject to calibration.
- ▣ It is the customer's responsibility to ensure that calibrated equipment meets its intended use.
- ▣ The date format used in this certificate is: YYYY-MM-DD.

Assessment Service Calibration Laboratory (ASCL) of the National Research Council of Canada (NRC) has assessed and certified calibration laboratory's ability and traceability to the International System of Units (SI) or to standards acceptable according to ASCL. This calibration certificate is issued in accordance with the terms of ASCL certification and accreditation requirements of the Standards Council of Canada (SCC). SCC accreditation number: # 669. ASCL and SCC does not guarantee the accuracy of individual calibrations by accredited laboratories.



Marco Miron - Technicien

Version 1  
MAY 2022  
Page 2 of 2





**Instrumentation  
Saint-Laurent** inc.  
Certified ISO 17025



80 rue de la montagne  
St-Joseph du lac  
(Québec), J0N 1M0  
Phone: (450) 473-6169  
Fax: (450) 473-5207  
Email: inst.st-laurent@videotron.ca

## CALIBRATION CERTIFICATE

<b>CERTIFICATE #</b>		CE-EM-313 2022-05-10	
<b>CLIENT</b>		<b>CALIBRATION SPECIFICATION</b>	
<b>Company:</b>	Services Polytests Inc	<b>Service Procedure:</b>	4IN9106
<b>Address:</b>	695 B rue Gaudette	<b>Required Accuracy:</b>	+/- 0.25"H2O
	St-Jean-sur-Richelieu, Québec, J3B 7S7	<b>Calibration Frequency:(days)</b>	365
<b>INSTRUMENT SPECIFICATION</b>			
<b>Instrument Type:</b>	Indicator	<b>Input Type:</b>	Pression
<b>Manufacturer:</b>	Dwyer	<b>Output Type:</b>	Voltage
<b>Model #:</b>	MS-321-LCD	<b>Measurement Type:</b>	Pressure
<b>Serial #:</b>	N.A.	<b>Range:</b>	0 a 0.1 inchh20
<b>Location:</b>	N.A.	<b>Version:</b>	
<b>CALIBRATORS SPECIFICATION</b>			
<b>Calibrator:</b>	Fluke Pression	<b>Certification #:</b>	2021008414
<b>Serial #:</b>	3330050	<b>Certification Date:</b>	2021-11-22
<b>Certified by:</b>	Alpha Controls	<b>Next Certification:</b>	2022-11-22
<b>Comments:</b>			
<b>Calibrator:</b>	Fluke 744	<b>Certification #:</b>	2022001379
<b>Serial #:</b>	8223003	<b>Certification Date:</b>	2022-02-18
<b>Certified by:</b>	Alpha Controls	<b>Next Certification:</b>	2022-05-18
<b>Comments:</b>			





**Instrumentation  
Saint-Laurent** inc.  
Certified ISO 17025



80 rue de la montagne  
St-Joseph du lac  
(Québec), J0N 1M0  
Phone: (450) 473-6169  
Fax: (450) 473-5207  
Email: inst.st-laurent@videotron.ca

## CALIBRATION CERTIFICATE

<b>CERTIFICATE #</b>	<b>CE-EM-313 2022-05-10</b>
----------------------	-----------------------------

CALIBRATION RESULTS						
Entry Source	Given Value	Actual Value	Deviation Error	After Calib Value	Accuracy	Uncertainty
<b>Conformity</b>	<b>Comment</b>					
0.0000 "H2O Compliant	0.0000 "H2O	+0.0015 "H2O	0.0015 "H2O	+0.0015 "H2O	+/- 0.25 "H2O	0.25 "H2O
Verification of the indicator						
0.0250 "H2O Compliant	0.0250 "H2O	0.0261 "H2O	+0.0011 "H2O	0.0261 "H2O	+/- 0.25 "H2O	0.25 "H2O
Verification of the indicator						
0.0500 "H2O Compliant	0.0500 "H2O	0.0510 "H2O	+0.0010 "H2O	0.0510 "H2O	+/- 0.25 "H2O	0.25 "H2O
Verification of the indicator						
0.0750 "H2O Compliant	0.0750 "H2O	0.0762 "H2O	+0.0012 "H2O	0.0762 "H2O	+/- 0.25 "H2O	0.25 "H2O
Verification of the indicator						
0.1000 "H2O Compliant	0.1000 "H2O	0.1011 "H2O	+0.0011 "H2O	0.1011 "H2O	+/- 0.25 "H2O	0.25 "H2O
Verification of the indicator						
0.0000 "H2O Compliant	0.0000 V.DC.	0.0420 V.DC.	+0.0420 V.DC.	0.0420 V.DC.	+/- 0.5 V.DC.	0.5 V.DC.
Verification of the analogic output						
0.0250 "H2O Compliant	2.5000 V.DC.	2.5828 V.DC.	+0.0828 V.DC.	2.5828 V.DC.	+/- 0.5 V.DC.	0.5 V.DC.
Verification of the analogic output						
0.0500 "H2O Compliant	5.0000 V.DC.	5.1261 V.DC.	+0.1261 V.DC.	5.1261 V.DC.	+/- 0.5 V.DC.	0.5 V.DC.
Verification of the analogic output						
0.0750 "H2O Compliant	7.5000 V.DC.	7.6332 V.DC.	+0.1332 V.DC.	7.6332 V.DC.	+/- 0.5 V.DC.	0.5 V.DC.
Verification of the analogic output						
0.1000 "H2O Compliant	10.0000 V.DC.	10.1287 V.DC.	+0.1287 V.DC.	10.1287 V.DC.	+/- 0.5 V.DC.	0.5 V.DC.
Verification of the analogic output						

**Environmental Conditions:** Temperature: 21 °C Humidity: 41 %RH

**Comments:**

### CALIBRATION DATE/ISSUANCE OF CERTIFICATE

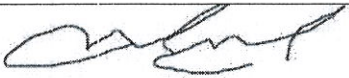
<b>Calibration Date:</b>	2022-05-10
<b>Next Calibration:</b>	2023-05-10
<b>Certificate Date:</b>	2022-05-10

### CALIBRATION CONFORMITY

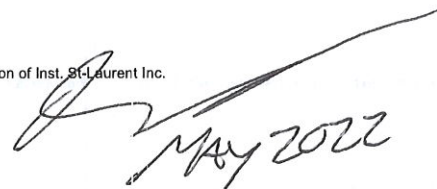
	Before	After
<b>Compliant:</b>	X	X
<b>Non Compliant:</b>		

- Instrumentation St. Laurent Inc. Certify that the above instrument, meets or exceeds the specifications established by the manufacturer. The company's quality system complies with the requirements of ISO 17025 :2017 and the standards used to perform the calibration is traceable to NRC and / or NIST.
- Reported uncertainties represent a 95 % of confidence level assuming a normal distribution k=2.
- The declaration of conformity does not include Instrumentation St-Laurent Inc. uncertainty measurement. Decision rule is based on binary statement for simple acceptance rule against ILAC G8 standard and test tolerance limits are based on customer specifications, unless otherwise specified.
- The results presented in this certificate relate only to objects subject to calibration.
- It is the customer's responsibility to ensure that calibrated equipment meets its intended use.
- The date format used in this certificate is: YYYY-MM-DD.

Assessment Service Calibration Laboratory (ASCL) of the National Research Council of Canada (NRC) has assessed and certified calibration laboratory's ability and traceability to the International System of Units (SI) or to standards acceptable according to ASCL. This calibration certificate is issued in accordance with the terms of ASCL certification and accreditation requirements of the Standards Council of Canada (SCC). SCC accreditation number: # 669. ASCL and SCC does not guarantee the accuracy of individual calibrations by accredited laboratories.



Marco Miron - Technicien



**CALIBRATION CERTIFICATE # 18670**

Calibration date : 2023-01-30  
Certificate issued : 2023-01-31

Services Polytests  
695 B Gaudette street  
St-Jean-sur-Richelieu, Québec, Canada  
J3B 7S7

Calibration of  
Positive displacement flow meter Shinigawa DCSDa-2C S/N : S8020

**QUALITY PROGRAM CONFORMANCE**

All calibrations are performed in accordance with Polycontrols Laboratory Quality Assurance Manual and conform to ISO/IEC 17025: 2017, ISO 9001 – 2015 and/or other quality requirements defined in customers purchase descriptions. The results are strictly valid for the device under test or calibration. If applicable, the decision rule is described in the certificate.

**TRACEABILITY**

The traceability for flow standard to the National Institute of Standards and Technology, NIST, is maintained by Fluke Corporation of Phoenix, Arizona and conform to ISO/IEC 17025, ANSI/NCSL Z540-1-1994, ISO-10012-1 and MIL-STD 45662A.

The Calibration Laboratory Assessment Service (CLAS) of the National Research Council of Canada (NRC) has assessed and certified specific calibration capabilities of this laboratory and traceability to the International System of Units (SI) or to standards acceptable to the CLAS program. This certificate of calibration is issued in accordance with the conditions of certification granted by CLAS and the conditions of accreditation granted by the Standards Council of Canada (SCC). Neither CLAS nor SCC guarantee the accuracy of individual calibrations by accredited laboratories.

**CALIBRATION OF MEASURING AND TEST EQUIPMENT**

For calibration measurement capability, please refer to the Canadian Calibration Network web page at the National Research Council of Canada. This laboratory is accredited by the Standards Council of Canada as part of the Calibration Laboratory Assessment Service (CLAS) program and is listed at [nrc.canada.ca](http://nrc.canada.ca).

This document forms part of the Certificate of Accreditation issued by the Standards Council of Canada (SCC). The original version is available in the Directory of Accredited Laboratories on the SCC website at [www.scc.ca](http://www.scc.ca).

**CONDITION SUMMARY OF THE DEVICE UNDER TEST**

Initial conditions	In good condition
Work done	Calibration of the instrument
Results	Initial readings = Final readings, no adjustment
Remarks	Final readings in tolerance
	Calibration frequency every 6 months



Bernard Poirier  
Metrologist



Laboratory Manager



### Calibration certificate # 18670

Serial Number:	S8020	Test stand:	
Calibration Date:	2023-01-30	Procedure:	POS-CAL-005
Instrument ID:	EM 318	Decision rule:	Method #3

### Standard equipment used for final calibration

Description	Model	Serial #	Traceability	Due date
Fluke molbloc_30 slpm	3E4-VCR-V-Q	2403	1500339201	2023-09-06
Fluke molbox 1+	Molbox 1+	755+	1500336282	2023-07-21
RTD Mist	M22	3061002	2022005164	2023-06-27
Module 44.5 PSI avec Baro 163671	Module 30	160659	2022003929	2023-05-13

### Final specifications of the device under test

### Calibration conditions

Gas	Air	Gas	Air
Operation temperature		Ambient temperature	22 °C
Inlet pressure		Ambient pressure	1022.94 mbar
Outlet pressure		Orientation	
Reference temperature		Seals	
Reference pressure		Valve	
Range	10-2000 ALH		
Input/Output Signals	-		
Supply			
Accuracy	±2 %O.R.		

### Final readings

Test Flow ALH	Device under test L	Measured values			Calculated Reference L	Calculated Error L	Acceptable Error L	Uncertainty k = 2 L	TUR
		Pressure PSIA	Temperature °C	Reference L					
406.1942	67.2900	14.853	21.90	68.2374	67.6969	-0.4069	1.3539	0.2248	>4
1214.6219	201.2700	14.868	21.80	204.0817	202.1966	-0.9266	4.0439	0.6713	>4
1845.2112	307.9300	14.885	20.83	311.2642	307.0185	0.9115	6.1404	1.0179	>4

*tc : 1.00605*

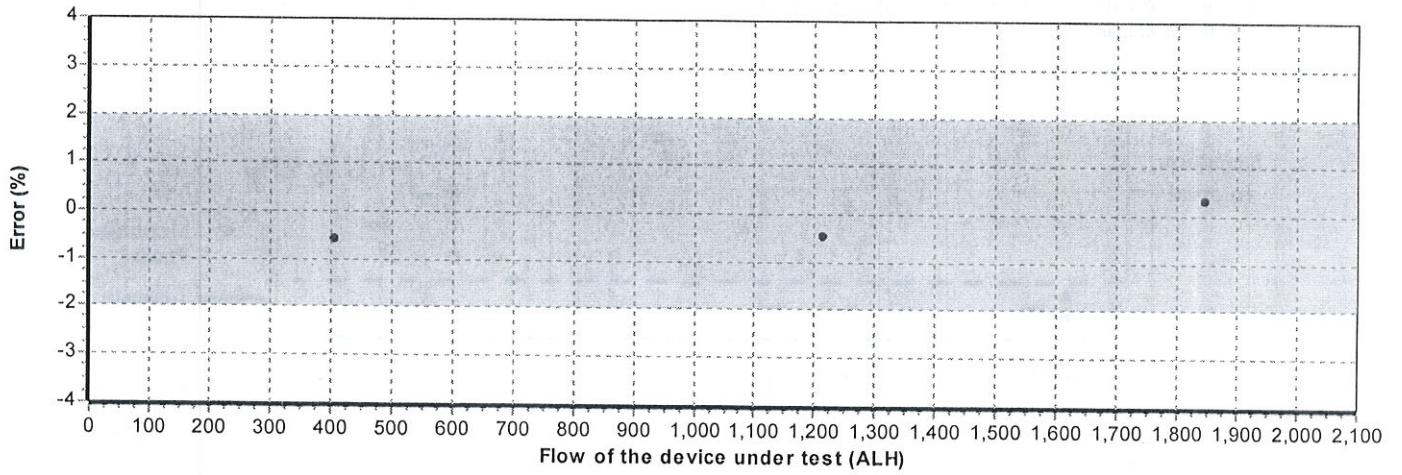




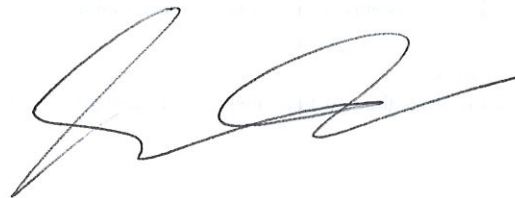
### Calibration certificate # 18670

Serial Number:	S8020	Test stand:	
Calibration Date:	2023-01-30	Procedure:	POS-CAL-005
Instrument ID:	EM 318	Decision rule:	Method #3

### Final results



See the appendix for the guideline of decision rule

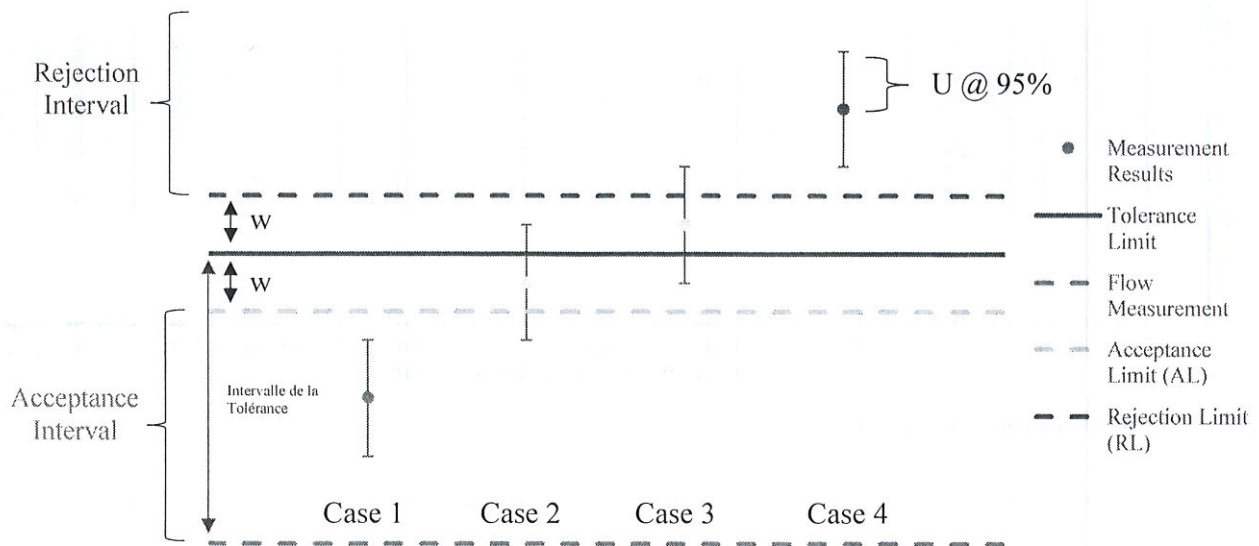


*Appendix for the decision rule*

**Method #3 Non-binary Statement with Guard Band, uncertainty directly taken into account**

This decision rule uses a guard band to define the acceptance and rejection interval. The acceptance limit is defined by the following mathematical formula  $AL = TL - w$  and the rejection limit  $RL = TL + w$ , where  $w = rU$ . The multiple  $r$  that is multiplied by the expanded measurement uncertainty  $U$  can be defined following ILAC G8: 2019 table 1 section 5.2. The expanded measurement uncertainty  $U$  has a 95% coverage probability ( $k = 2$ ). Non-binary statement with guard band exists when the result is limited to four choices: pass, conditional pass, conditional fail, and fail.

Statements of conformity are reported as:



*Graphical representation of a Non-Binary Statement with a Guard Band*

**Case 1 – Below acceptance limit AL**

**Status: In tolerance**

- The result is inside the acceptance interval. However, assuming a normal distribution, the risk that the result is outside the tolerance limit could be up to 2.5%. Uncertainty is directly taken into account. Green.

**Case 2 – Below tolerance limit TL, greater than acceptance limit AL**

**Status: In tolerance-Conditional**

- The result is outside the acceptance interval but below tolerance limit. However, the observed value is inside the guard band  $w = TL - AL$  and the status is conditional on the customer's risk assessment. Uncertainty is directly taken into account. Yellow.

**Case 3 – Greater than tolerance limit, below rejection limit RL**

**Status: Out of tolerance-Conditional**

- The result is greater than tolerance limit but outside the rejection interval. However, the observed value is inside the guard band  $w = TL - RL$  and the status is conditional on the customer's risk assessment. Uncertainty is directly taken into account. Yellow.

**Case 4 – Greater than rejection limit RL**

**Status: Out of tolerance**

- The result is inside the rejection interval. Uncertainty is directly taken into account. Red.



# CERTIFICATE OF CALIBRATION



Certificate Number: 2022009667

Page 1 of 2

**Manufacturer:** Control Company  
**Model:** 4199  
**Description:** Barometer  
**Serial:** 210758578  
**ID:** EM 333  
**Customer:** SERVICES POLYTESTS  
 695-B GUADETTE  
 ST-JEAN-SUR-RICHELIEU QC  
 J3B 7S7

**RMA:** AC22121517  
**Workorder:** 2022009667  
**Barcode:** AL00042136-P  
**Received Conditions:** Out of Tolerance  
**Calibration Date:** 03-Jan-2023  
**Calibration Due:** 03-Jan-2024  
**Temperature:** 21.79°C  
**Humidity:** 28.7%RH

**STATEMENT OF UNCERTAINTY:** The reported expanded uncertainty of measurement is stated as the standard measurement uncertainty multiplied by the coverage factor  $K = 2$ , which for a normal distribution corresponds to a coverage probability of approximately 95 percent. Alpha Controls & Instrumentation Inc. certifies this instrument was calibrated on the date shown using standards traceable to NIST/NRC or accepted intrinsic standards and in compliance with ISO/IEC-17025:2017 and ANSI/NCSL Z540-1.

Any statement of compliance is made without taking measurement uncertainty into account and is based on UUT performance against required tolerance only. The customer must ensure equipment calibrated meets the intended use.

Tolerance is based on manufacturer specification if not stated otherwise. Calibration results relate to items calibrated only.

This certificate shall not be reproduced except in full without written approval of Alpha Controls and Instrumentation Inc.

Functional tests are not covered by our scope of accreditation.

## STANDARDS USED

Description	Model	ID	Cal Date	Due Date
Pressure Controller/Calibrator	DH Instruments PPC3	PRE-CAL-04	14-Jun-2022	30-Jun-2023
Reference Pressure Monitor	Fluke RPM4	PRE-MTR-04	14-Jun-2022	30-Jun-2023

**Notes:** Adjusted trim pots.

2023-01-12

Performed by:

Milad Azadi

Technician

(digitally signed on 03-Jan-2023 3:43 pm)

QA Reviewed by:

Slava Peciurov

Lab Manager

(digitally signed on 03-Jan-2023 4:24 pm)

Quality Management System is assessed and registered by Intertek as conforming to the requirements of ISO9001



Procedure: Pressure/Vacuum: CAL VER /DHI PPC3 (2.3.A)

FOUND (Fail)

Test Description	True Value	Test Results	Tolerance	Lower Limit	Upper Limit	Status	Uncertainty
PRESSURE TEST MEASUREMENT UNITS: inHg							
29.29	29.29	29.5	±0.14645	29.1	29.4	Fail	1.2e-001

Procedure: Pressure/Vacuum: CAL VER /DHI PPC3 (2.3.A)

LEFT (Pass)

Test Description	True Value	Test Results	Tolerance	Lower Limit	Upper Limit	Status	Uncertainty
PRESSURE TEST MEASUREMENT UNITS: inHg							
29.293	29.29	29.3	±0.146465	29.1	29.4	Pass	1.2e-001

END OF CERTIFICATE

## Certificat d'Étalonnage / Certificate of Calibration

CLIENT :  
SERVICES POLYTESTS INC.  
695-B GAUDETTE  
ST-JEAN-SUR-RICHELIEU, QC J3B7S7

Description:  
Fabricant/ Manufacturer: DELMHORST  
Modèle/ Model : MCS-1  
No série / Serial no : N/A  
# Inventaire / Asset # : EM 334

CERTIFICAT No / Certificate No: **380876**

PROCÉDURE / Procedure :  
TRESCAL - DELMHORST\_MCS-1

Date étalonnage/ Calibration Performed : **2023-01-13**

Echéance/ Due Date : **2024-01-13**

Type de résultat / Results type : As-Found = As-Left

Conditions de mesure / Measurement conditions

Résultats d'essais / Test results : Conforme / In Tolerance

TEMPÉRATURE / Temp. : 22.4°C

Usage restreint/ Restricted use :

HUMIDITÉ / Humidity : 29% RH

Réparation effectuée / Repair performed :

Ajustement effectué / Adjustment performed :

### ÉTALONS UTILISÉS/ Standards Used:

Identification	Manuf.	Model	Description	Ser. #	Étalonné/ Cal.	Échéance/ Due
PRO662	FLUKE	8508A	REFERENCE MULTIMETER	389272283	2021-01-04	2023-03-04

Les spécifications mentionnées comme limites de tolérances d'essai sont celles établies par le fabricant, sauf indication contraire.

Test tolerance limits are based on manufacturers specifications unless stated otherwise.

### NOTES :

  
2023-01-23

Technicien :  
Technician

  
M. BARRAK

Le système qualité de la société est conforme aux exigences de la norme ISO 17025 et les étalons utilisés pour le processus d'étalonnage sont retraçables au SI par l'entremise du CNRC et/ou du NIST.  
Our quality system complies with the requirements of ISO 17025 and the standards used for the calibration are traceable to SI through NRC and/or NIST.

LE DROIT D'AUTELER DE CE CERTIFICAT APPARTIEN À TRESICAL CANADA INC. CE CERTIFICAT NE PEUT ÊTRE REPRODUIT AUTREMENT QU'EN ENTIER ET AVEC LE CONSENTEMENT PRÉALABLE ÉCRIT DE TRESICAL CANADA INC.  
TRESICAL CANADA INC. OWNS COPYRIGHT OF THIS CERTIFICATE. THE CERTIFICATE MAY NOT BE REPRODUCED OTHER THAN IN FULL EXCEPT WITH THE PRIOR WRITTEN CONSENT OF TRESICAL CANADA INC.

CLIENT / Customer :

DESCRIPTION / Description :

MANUFACTURIER / Manufacturer :

MODÈLE / Model :

380876

SERVICES POLYTESTS INC.

VÉRIFICATEUR D'HUMIDITÉ / MOISTURE METER

DELMHORST

MCS-1

DESCRIPTION Description		LIMITES Limits	LECTURES Readings	LIMITES Limits
<b>DOUGLAS-FIR @ 80°F</b>				Déviaton Mohms
	Nominal			
12 %	120 MOhms		120.1	-0.1
22 %	1.10 MOhms		1.097	0.003



**CALIBRATION CERTIFICATE**

9900 Chemin de la Côte-de-Liesse, Montréal, QC H8T 1A1  
www.dispersion.ca 1.866.390.5066

<b>Client :</b>	Polytests	<b>Certificate Number :</b>	157-77C603-225
<b>Address :</b>	695 B rue Gaudette Saint-Jean-sur-Richelieu, QC J3B7S7	<b>Calibration date :</b>	14-03-2022

**Technician:**  
Coutu, Daniel

David Llorens, Quality Manager

**SERVICE DESCRIPTION:**

<b>Masses description :</b>	ASTM E617	<b>Date approved :</b>	14-03-2022
<b>Precision class :</b>	ASTM 1	<b>Next Calibration :</b>	14-03-2027
<b>Density :</b>	7.96g/cm <sup>3</sup>	<b>CCN accreditation # :</b>	668
<b>Identification (if unique) :</b>	DI000J378	<b>CLAS Certification # :</b>	2010-01

<b>Test conditions :</b>	Temp °C: 21.16	kPa Pressure: 100.64	Humidity: 47.97
--------------------------	----------------	----------------------	-----------------

**NOTES:**

For weight calibration, we use the procedure "Comparaison individuelle" PDL-09-MG-001 and the procedure "Détermination des incertitudes" PDL-09-MG-002. This certificate cannot be copied without written approval from Dispersion Laboratory. The results presented in these pages relate only to objects subjected to calibration.n

**REMARKS:**

Mars 2022









## CALIBRATION CERTIFICATE

9900 Chemin de la Côte-de-Liesse, Montréal, QC H8T 1A1  
www.dispersion.ca 1.866.390.5066

### BALANCES

The following balances are used for calibration purposes :

> 5 kg to 25 kg :	Mettler Toledo XP32003L, SNR 1123271214, max. 32100 g, d = 0.005 g
> 1 kg to 5 kg :	Mettler Toledo PR5003, SNR 1115311634, max. 5100 g, d = 0.001 g
> 300 g to 2 kg :	Mettler Toledo XP2004S, SNR B131185222, max. 2100 g, d = 0.1 mg
> 100 g to 200 g :	Mettler Toledo AT201 SNR BA1115230146, max. 205 g, d = 0.01 mg
> 5 g to 100 g :	Mettler Toledo AX106 SNR 1127063924, max. 111 g, d = 1 µg
1 mg to 5 g :	Mettler UMX5, SNR 1121103055, max. 5.1 g, d = 0.1 µg

We are also using these balances in our automated procedure :

> 200 g to 1 kg :	Mettler Toledo AX1005 SNR 1127063210, max. 1109 g, d = 0.01 mg
> 5 g to 100 g :	Mettler Toledo AX106 SNR 1120143015, max. 111 g, d = 1 µg
1 mg to 5 g :	Mettler UMX5, SNR 1125140561, max. 5.1 g, d = 0.1 µg

*Our balances are periodically verified, according to our PDL-11-MG-001 control procedure.*

### UNCERTAINTIES:

The following uncertainties exist :

1. *Uncertainty associated with the weighting process.*
2. *Uncertainty associated with air density.*
3. *Uncertainty associated with the measurement standard.*
4. *Uncertainty associated with the density of the mass being calibrated.*

The uncertainty of the weighing process includes long-term reproducibility.

Uncertainties specified in this report are expanded uncertainties representing a confidence level of approximately 95% obtained by multiplying the combined standard uncertainty by a coverage factor of  $k = 2$ . For more detailed information refer to the GUM (Guide to the Expression of Uncertainty in Measurement, 1995 Edition)

### TRACEABILITY

The Calibration Laboratory Assessment Service (CLAS) of the National Research Council of Canada (NRC) has assessed and certified specific calibration capabilities of this laboratory and their traceability to recognized national measurement standards and to the International System of Units (SI). This certificate of calibration is issued in accordance with the conditions of certification granted by CLAS and the conditions of accreditation granted by the Standards Council of Canada (SCC). Neither the CLAS nor the SCC guarantees the accuracy of individual calibration by accredited laboratories.

## CALIBRATION CERTIFICATE

9900 Chemin de la Côte-de-Liesse, Montréal, QC H8T 1A1  
www.dispersion.ca 1.866.390.5066

### USED REFERENCES

Item	Serial #	Manufacturer	Calibration date	Due date
300g Labo	96-0888-50-2	Denver Instrument Company	01-10-2020	31-03-2022
1kg-1mg Labo	MT-01	Mettler Toledo	01-10-2020	31-03-2022
2kg Labo	96-0888-50-3	Denver Instrument Company	01-10-2020	31-03-2022
1kg Labo	96-088850-1	Denver Instrument Company	01-10-2020	31-03-2022
5kg Labo	129099	Mettler Toledo	01-10-2020	31-03-2022
10kg Labo	DI000G991	Dispersion	23-03-2021	31-03-2022
20kg Labo	69976	Mettler Toledo	06-10-2021	31-10-2022
1 mg-10kg	4000028011	Troemner	15-10-2021	31-10-2022
2kg Labo	129098	Mettler Toledo	01-10-2020	31-03-2022

### ENVIRONMENTAL CONDITIONS

Item	Serial #	Manufacturer	Calibration date	Due date
THE004	107080	Control Company	04-03-2021	31-03-2022

# CERTIFICATE OF ANALYSIS

## Grade of Product: PRIMARY STANDARD

Customer: AIR LIQUIDE CANADA  
Part Number: X04NI77P15A0003  
Cylinder Number: EB0118140  
Laboratory: 124 - Plumsteadville - PA  
Analysis Date: Mar 07, 2022  
Lot Number: 160-402375016-1

Reference Number: 160-402375016-1  
Cylinder Volume: 153.0 CF  
Cylinder Pressure: 2016 PSIG  
Valve Outlet: 350

Expiration Date: Mar 07, 2030

Primary Standard Gas Mixtures are traceable to N.I.S.T. weights and/or N.I.S.T. Gas Mixture reference materials.

### ANALYTICAL RESULTS

Component	Req Conc	Actual Concentration (Mole %)	Analytical Uncertainty
OXYGEN	2.000 %	2.005 %	+/- 0.02%
CARBON MONOXIDE	3.000 %	3.000 %	+/- 0.02%
CARBON DIOXIDE	18.00 %	18.00 %	+/- 0.02%
NITROGEN	Balance		

Notes: GROSS WEIGHT: 29.581 KG  
NET WEIGHT: 5.442 KG  
P/N A1336386  
PO#89404761



*EM-336*

*[Signature]*  
*June 2022*





## CERTIFICATE OF ANALYSIS


**Customer:** SERVICES POLYTESTS INC., (S2232)  
695B, GAUDETTE  
ST-JEAN SUR RICHELIEU QC  
J3B 7S7

**Analysis Date:** 3/4/2022 9:44:18AM  
**Product code:** A1334811  
**Grade:** PRIMARY  
**Size:** 44  
**CGA #:** 590

**Servitrax barcode No:** T2H6H8N  
**Work order number:** 1607008  
**Pressure:** 1450 psig  
**Volume:** 4.7M3  
**Expiry date:** 03/04/2025

COMPONENTS	NOMINAL CONCENTRATION	ANALYSIS RESULTS
CARBON DIOXIDE	10.0000 % Molar	10.00 % Molar
CARBON MONOXIDE	1.0000 % Molar	1.002 % Molar
OXYGEN	10.0000 % Molar	10.00 % Molar
NITROGEN	BALANCE	BALANCE

Analysis performed by:

  
TOBIN ERINLE - LAB TECHNICIAN

Verified by:



This Air Liquide Canada mixture is traceable to NIST

### METHOD OF ANALYSIS:

Method of analysis is based on principles of gas chromatography and as documented in Air Liquide Canada operating procedure, where applicable, FID, TCD, PDHID, FT-IR, FPD, NO/NOx and SO2 chemiluminescence, hygrometer, and electrochemical cells and paramagnetic cell. Detectors were used in conjunction with packed or capillary columns calibrated flow meters and dilution calibrated system.

### ANALYTICAL ACCURACY:

Quality	Concentration	Blend Tolerance	AA
PRIMARY	5%-50%	+/-1%	+/-1%
	0.5%-5%	+/-2%	
	1ppm-0.5%	+/-5%	
CERTIFIED	5%-50%	+/-5%	+/-2%
	0.5%-5%	+/-10%	+/-2%
	1ppm-0.5%	+/-20%	+/-5%
UNANALYZE	5%-50%	+/-10%	
	<5%	+/-20%	

EM-338

  
June 2022

This mixture was certified by a combination of weight and analysis (depending on component) using scales certified against weights traceable to the Institute for National Measurement Standards (INMS) of the National Research Council of Canada (NRCC), Report # W-021221-13857 (MTL) and CA3033-022-050621-ACC (Calgary) or calibration standards prepared in that manner.

### How to contact us & order



E-mail within your region:

specgas.atlantic@airliquide.com  
specgas.qc@airliquide.com

specgas.on@airliquide.com  
specgas.ab@airliquide.com

specgas.midwest@airliquide.com  
specgas.pacific@airliquide.com



Customer Solution Center 1 800 217-2688



Online 24/7 through My.Airliquide.ca



Air Liquide Mobile App

## APPENDIX 4: Unit pre burn

Temps acquisition minutes	Air setting Wood moisture % of each piece 16 inches long all pieces	Flue	Room	scale	Right	Back	bottom	Top	Left
		temp	temp						
		°F	°F	lbs	°F	°F	°F	°F	°F
1		69,0	66,4	6,0	68,5	68,2	68,6	68,9	68,3
2		112,1	66,7	6,0	68,5	68,3	68,6	75,2	68,3
3	high setting	149,9	66,6	5,9	68,5	68,7	68,5	99,7	68,4
4	21-20-22	186,0	66,8	5,8	68,7	69,6	68,3	132,3	68,8
5	3 pieces	251,4	66,9	5,8	69,1	70,9	68,1	181,6	69,6
6		312,3	67,1	5,7	69,8	72,7	67,9	251,9	70,8
7		351,4	67,1	5,6	70,8	75,2	67,8	310,9	72,7
8		429,9	67,1	5,4	72,3	78,9	67,7	367,5	75,6
9		500,8	67,5	5,2	74,6	84,7	67,7	424,4	80,1
10		530,9	67,4	5,1	78,1	93,5	67,8	476,5	86,9
11		529,0	67,9	4,9	83,1	103,9	67,9	491,6	96,1
12		541,7	67,6	4,7	89,1	115,1	68,1	503,3	107,2
13		584,5	68,0	4,5	95,7	130,0	68,5	527,5	120,3
14		637,1	68,0	4,2	103,4	144,7	69,0	568,7	135,0
15		665,9	68,3	3,9	113,4	157,0	69,8	612,4	151,1
16		722,1	68,6	3,6	126,4	169,4	70,8	662,2	168,6
17		765,9	68,1	3,3	141,9	182,6	72,1	708,6	186,2
18		771,5	68,4	3,1	159,4	198,1	73,6	738,9	203,4
19		752,7	69,0	2,8	177,7	213,4	75,4	771,2	221,1
20		733,6	68,4	2,6	196,0	229,5	77,5	787,8	237,8
21		726,4	68,6	2,4	214,6	245,9	79,8	789,4	253,0
22		718,3	69,6	2,1	232,9	261,2	82,5	791,3	267,3
23		706,8	69,0	1,9	250,5	275,8	85,3	790,9	281,1
24		677,9	69,6	1,8	267,7	288,9	88,4	774,0	295,2
25	high setting	624,2	69,6	13,1	283,7	302,5	92,3	745,0	307,3
26	21-20-20-19	472,5	72,0	14,1	298,3	311,4	97,4	679,0	318,7
27	4 pieces	529,4	70,4	14,0	310,6	311,3	100,8	647,9	328,0
28		624,2	69,5	13,7	319,9	307,1	104,5	653,2	334,9
29		678,2	69,3	13,5	326,3	301,3	107,9	683,1	339,0
30		732,4	69,8	13,2	331,0	295,3	111,2	731,2	341,6
31		777,8	69,9	12,9	335,0	289,7	114,1	776,8	343,4
32		818,8	70,4	12,6	339,0	286,1	116,9	821,4	345,5
33		853,5	70,7	12,3	343,5	283,3	119,2	857,7	348,2
34		874,2	71,1	12,0	348,2	281,7	121,5	887,6	351,3
35		895,1	70,5	11,7	353,3	280,8	123,6	914,8	355,0
36		913,0	71,8	11,4	358,8	281,3	125,5	933,9	359,3
37		908,3	72,1	11,1	364,7	282,5	127,2	945,6	364,4
38		904,4	74,7	10,8	370,8	285,2	129,3	951,2	369,4
39		897,2	72,4	10,5	376,7	287,7	131,6	953,3	374,6
40		903,6	72,1	10,2	383,0	290,5	133,5	955,2	379,7
41		907,0	71,8	9,9	389,3	293,9	135,7	958,1	385,1
42		911,4	72,3	9,5	395,6	298,2	138,1	960,4	390,2
43		914,5	72,8	9,2	402,2	301,4	140,2	962,6	395,4
44		920,1	73,8	8,9	409,3	304,3	142,7	967,5	400,5
45		922,1	73,4	8,6	415,9	308,6	145,2	971,3	405,3
46		920,5	74,4	8,3	423,0	312,1	148,2	974,7	410,2
47		922,8	72,9	8,0	430,1	316,3	151,3	976,9	415,4
48		922,8	73,5	7,7	436,6	320,7	154,5	980,9	420,7
49		945,6	74,9	7,4	443,4	325,5	157,8	987,1	426,5
50		950,1	73,4	7,1	450,1	331,1	161,2	993,4	432,1
51		950,4	72,8	6,7	456,4	336,9	165,1	999,7	437,5
52		949,3	72,6	6,4	463,0	342,0	168,9	1004,1	443,6
53		950,0	72,8	6,1	469,0	347,4	173,2	1006,1	449,6
54		945,9	74,4	5,8	475,3	352,0	177,1	1009,8	455,7
55		934,7	72,3	5,5	481,4	357,7	181,6	1009,4	462,0
56		925,2	74,3	5,3	487,7	362,5	185,8	1008,2	468,6
57		916,4	74,9	5,0	494,0	367,8	190,2	1007,3	475,0
58		900,8	73,7	4,7	499,9	373,1	194,9	1003,6	481,4
59		888,2	73,8	4,4	506,0	378,4	199,5	998,8	487,8
60		876,0	74,9	4,2	512,5	384,4	204,1	993,4	494,5
61		865,1	74,4	4,0	518,2	391,2	209,2	987,1	500,6
62		856,3	74,9	3,7	524,5	399,1	214,6	981,2	507,2
63		842,4	73,8	3,5	530,3	405,8	220,2	972,7	513,7
64		824,1	74,2	3,3	535,5	413,6	225,8	960,0	520,0
65		805,7	74,5	3,1	541,5	421,5	231,0	945,5	526,6
66		797,5	74,0	2,9	547,5	430,9	236,5	933,3	532,5
67		785,5	74,4	2,8	552,6	441,4	242,7	919,9	538,5
68		769,5	74,3	2,6	557,6	452,5	249,1	906,0	543,9
69		762,5	72,7	2,5	562,2	464,6	255,5	893,5	549,2
70		755,3	73,0	2,3	565,7	477,3	261,7	882,6	554,3
71		729,7	72,7	2,2	569,7	487,9	269,3	866,3	559,9
72		698,2	72,5	2,1	572,9	498,3	276,2	842,4	563,5
73		671,3	73,1	2,0	574,8	502,4	284,2	816,9	567,0
74		509,1	75,1	16,0	577,2	505,0	300,8	754,8	570,3
75	low setting	789,9	73,9	15,7	577,5	503,1	307,3	790,5	569,8
76	21-20-22-20-23	816,8	75,6	15,4	576,6	492,2	317,8	847,7	566,8
77	5 pieces	761,8	76,5	15,2	573,4	477,2	323,2	891,3	562,3
78		749,5	75,3	14,9	569,2	461,5	326,4	918,4	556,9
79		729,9	73,5	14,7	562,6	446,8	329,8	925,6	550,9
80		705,9	73,8	14,5	555,5	432,2	333,0	919,3	544,0
81		684,8	74,0	14,3	547,7	420,1	334,2	905,4	537,0
82		663,0	73,5	14,1	539,9	409,2	336,8	884,8	529,7
83		647,2	72,5	13,9	531,7	399,6	338,0	865,7	522,6
84		633,0	73,6	13,8	524,1	390,3	338,5	847,4	516,4
85		622,4	74,8	13,6	515,7	381,1	339,0	831,5	509,2
86		609,8	74,1	13,4	508,1	374,6	339,0	815,2	503,1
87		600,7	73,4	13,3	501,2	367,9	339,0	799,2	497,0
88		593,1	73,3	13,1	494,3	362,7	337,5	786,5	491,0
89		586,4	72,3	13,0	487,3	356,6	336,6	774,7	485,6
90		581,8	74,6	12,8	480,9	352,0	335,2	766,5	480,5



91	578,7	75,4	12,7	475,2	347,4	334,2	760,8	475,5
92	574,9	72,8	12,6	469,5	341,9	332,0	755,2	471,4
93	573,1	73,1	12,4	463,9	338,8	331,4	752,4	467,1
94	574,8	72,9	12,3	457,9	334,6	329,0	751,9	463,4
95	576,4	73,7	12,1	453,1	331,9	327,1	755,0	459,2
96	579,3	71,9	12,0	448,2	328,2	325,6	758,2	456,1
97	581,6	72,3	11,8	444,2	325,0	323,9	762,6	453,5
98	582,7	72,5	11,7	439,5	322,9	321,8	767,0	450,7
99	582,9	72,3	11,5	435,9	320,0	319,4	769,5	448,6
100	581,0	73,0	11,4	431,7	317,6	316,8	770,6	446,4
101	580,2	74,9	11,2	428,8	315,9	315,2	771,3	444,3
102	576,5	73,2	11,1	426,2	311,8	313,2	771,1	442,1
103	575,8	73,8	10,9	423,8	310,9	311,5	770,0	440,7
104	574,8	73,6	10,8	421,5	310,2	309,2	768,7	438,2
105	573,3	73,7	10,7	419,2	308,9	306,9	766,5	437,1
106	572,1	73,1	10,5	416,5	306,4	305,0	763,5	434,7
107	571,8	73,2	10,4	414,8	304,9	303,2	761,3	434,1
108	571,2	73,9	10,2	412,9	304,4	301,7	759,3	433,2
109	573,4	72,4	10,1	411,0	303,0	299,8	758,5	432,5
110	574,2	73,0	10,0	409,1	299,8	297,0	758,9	432,0
111	577,9	70,2	9,8	406,1	298,8	295,6	761,7	429,7
112	580,6	67,8	9,6	405,3	298,6	293,4	764,4	428,1
113	582,2	69,3	9,5	404,2	297,6	292,1	765,9	427,6
114	584,8	70,1	9,3	402,8	297,7	290,3	767,2	427,4
115	591,5	70,3	9,2	401,2	295,8	287,8	772,5	427,3
116	598,8	69,9	9,0	400,2	294,5	285,4	779,8	427,9
117	601,6	70,8	8,9	399,5	295,1	283,6	787,1	428,5
118	601,3	71,0	8,8	398,3	293,9	282,2	791,2	429,0
119	597,9	70,5	8,6	397,6	293,4	280,4	795,9	428,9
120	595,7	71,0	8,5	397,2	293,6	278,4	797,6	429,4
121	594,7	73,4	8,3	396,1	293,9	277,4	799,1	429,8
122	594,9	71,6	8,2	396,1	293,9	276,3	800,2	430,1
123	595,2	71,8	8,1	395,3	292,5	274,6	801,1	430,1
124	596,5	72,9	7,9	395,4	292,7	272,5	802,9	430,2
125	599,8	71,3	7,8	395,1	293,6	271,4	806,3	430,3
126	602,8	73,7	7,6	395,5	293,0	269,7	812,0	430,2
127	605,0	71,3	7,5	395,5	293,8	268,7	820,4	429,1
128	604,7	72,6	7,4	395,5	293,4	267,6	825,8	429,2
129	608,5	71,7	7,2	396,3	293,4	265,8	828,6	428,7
130	623,1	72,1	7,0	396,8	293,1	264,7	839,7	428,2
131	626,3	71,7	6,9	397,2	293,6	263,3	849,9	428,3
132	621,9	73,2	6,8	398,2	294,2	262,1	855,0	427,7
133	616,1	70,0	6,6	399,5	294,4	261,3	854,7	428,4
134	611,6	70,2	6,5	400,5	295,3	260,2	853,1	428,9
135	612,1	72,1	6,4	401,3	295,2	259,1	851,9	429,2
136	614,6	72,5	6,2	402,5	296,3	258,1	854,5	429,5
137	618,1	70,6	6,1	403,3	296,7	257,1	859,5	429,9
138	621,4	73,2	5,9	404,0	297,8	256,1	865,5	430,8
139	626,1	71,0	5,8	405,1	298,5	255,4	875,5	431,6
140	632,3	71,7	5,7	405,7	299,2	253,5	887,0	432,3
141	639,1	71,6	5,5	406,6	300,7	253,5	902,7	433,4
142	642,2	70,1	5,3	408,1	300,9	252,0	912,2	434,8
143	642,3	72,6	5,2	409,7	302,2	251,5	914,6	436,7
144	633,6	71,1	5,1	410,9	303,2	250,6	909,1	438,1
145	622,8	71,2	5,0	412,6	304,9	249,7	894,6	439,2
146	610,9	71,8	4,9	414,3	306,8	249,2	880,0	440,8
147	603,7	72,6	4,8	415,7	307,9	248,7	870,0	442,0
148	591,0	71,2	4,7	417,4	309,1	248,1	863,5	443,1
149	577,6	71,5	4,6	418,6	310,7	247,7	847,8	444,0
150	564,3	72,5	4,5	419,6	311,7	247,4	829,1	444,5
151	551,0	71,6	4,4	421,1	313,2	247,3	808,4	444,3
152	538,5	71,6	4,4	422,1	313,2	246,6	787,3	443,9
153	526,7	71,2	4,3	423,1	314,2	246,1	765,5	443,3
154	514,2	71,5	4,3	423,7	313,7	245,7	746,3	442,5
155	503,9	71,1	4,2	423,8	314,3	245,6	729,7	441,5
156	495,2	70,7	4,2	423,3	313,6	245,7	716,2	440,5
157	488,3	71,5	4,2	422,8	315,0	246,3	706,5	439,8
158	482,2	70,5	4,1	421,5	313,0	246,0	697,0	438,9
159	478,1	71,1	4,0	420,0	313,3	245,7	690,3	438,1
160	473,2	72,5	4,0	419,0	314,6	246,0	683,7	437,1
161	469,0	72,2	4,0	418,0	313,3	246,1	678,6	437,0
162	465,5	70,9	3,9	416,6	313,7	246,7	672,4	436,3
163	461,3	71,9	3,9	415,7	312,3	246,2	667,3	435,7
164	458,9	71,1	3,8	414,6	312,1	245,5	662,3	436,0
165	457,0	72,7	3,8	413,7	312,6	246,4	658,5	436,0
166	455,4	69,9	3,8	412,8	312,9	246,6	655,0	436,4
167	453,6	71,7	3,7	412,1	311,9	246,5	650,4	436,6
168	453,1	72,3	3,7	410,9	313,3	247,0	647,2	437,1
169	452,2	70,9	3,6	410,2	312,6	247,2	642,8	437,8
170	449,0	70,5	3,6	409,6	312,3	247,3	639,7	438,7
171	444,2	71,0	3,5	408,5	311,9	246,5	634,7	439,2
172	439,9	71,3	3,5	407,7	313,4	247,2	627,2	440,2
173	433,3	70,8	3,5	407,2	313,8	247,2	619,1	440,8
174	426,4	72,5	3,4	406,3	313,5	247,3	609,2	440,8
175	421,3	71,5	3,4	405,6	314,7	248,1	599,4	440,7
176	418,4	70,9	3,4	405,3	315,8	248,5	590,6	440,5
177	417,0	70,0	3,3	404,8	315,9	248,4	583,0	440,3
178	414,9	70,9	3,3	404,9	318,2	249,0	578,6	439,0
179	415,4	70,0	3,3	405,0	318,3	249,4	574,9	439,0
180	415,6	70,9	3,2	404,8	318,8	249,8	571,2	439,0
181	415,4	71,5	3,2	405,0	320,1	249,8	571,8	438,9
182	415,1	71,5	3,2	405,2	320,2	249,8	571,1	439,5
183	413,5	70,8	3,1	405,2	321,4	249,3	572,2	440,1

184	411,5	72,0	3,1	405,8	323,8	250,0	571,5	441,0
185	407,7	70,7	3,1	405,9	323,5	248,8	569,4	442,5
186	403,1	71,4	3,0	405,9	326,3	250,3	567,2	443,9
187	399,5	71,4	3,0	405,7	326,9	250,7	562,4	445,9
188	395,4	71,5	3,0	405,5	329,6	251,3	557,2	447,7
189	390,9	70,6	3,0	405,7	331,0	251,9	551,4	449,8
190	386,4	69,4	2,9	404,9	331,1	252,1	546,2	451,3
191	382,6	70,6	2,9	404,3	333,0	253,0	540,0	453,4
192	379,1	72,8	2,9	403,5	333,0	253,8	534,9	455,6
193	374,5	72,0	2,9	403,0	335,5	254,5	529,1	457,1
194	370,5	70,0	2,8	402,3	336,9	255,0	522,3	458,9
195	366,3	70,4	2,8	401,2	337,5	255,0	516,8	460,7
196	363,2	70,3	2,8	400,3	338,8	255,8	511,1	462,0
197	360,5	70,6	2,8	399,4	339,6	256,2	504,5	463,3
198	356,7	69,8	2,8	398,3	339,0	256,7	498,2	464,4
199	352,8	69,6	2,7	397,4	340,8	257,6	492,8	464,8
200	349,2	69,8	2,7	396,3	340,8	257,8	487,4	464,8
201	345,2	69,3	2,7	395,3	341,3	258,8	482,5	464,3
202	342,4	69,6	2,7	394,6	340,9	260,3	477,5	463,1
203	339,6	69,5	2,7	393,4	340,9	260,7	472,4	462,3
204	336,1	69,9	2,6	392,2	341,3	261,4	468,7	461,2
205	333,4	71,1	2,6	390,9	340,9	261,6	464,6	460,2
206	330,8	71,2	2,6	390,2	341,5	263,0	460,1	459,1
207	328,7	70,2	2,6	389,4	340,9	263,3	456,9	458,2
208	326,5	69,8	2,6	388,2	343,0	263,9	453,3	456,7
209	324,9	70,1	2,5	387,1	343,0	264,9	450,1	455,5
210	322,8	69,9	2,5	386,7	343,8	265,9	446,5	454,4
211	321,1	71,1	2,5	386,1	344,0	266,9	443,8	453,1
212	319,4	68,9	2,5	385,1	344,0	267,0	441,3	451,9
213	317,5	68,8	2,5	384,9	344,6	268,0	438,4	450,9
214	315,9	70,6	2,5	383,9	345,7	268,6	436,5	449,3
215	314,7	69,2	2,4	383,8	346,4	269,1	434,2	448,0
216	312,8	69,0	2,4	383,2	346,7	270,0	431,8	446,8
217	311,4	69,9	2,4	382,8	346,3	270,7	429,3	445,8
218	310,3	69,6	2,4	382,3	348,0	271,3	428,7	444,3
219	309,6	69,9	2,4	381,6	348,2	271,9	426,9	442,8
220	308,3	69,4	2,4	381,4	347,8	272,5	424,4	441,4
221	307,5	69,5	2,4	381,2	348,5	272,9	423,0	439,9
222	306,5	69,7	2,3	381,0	348,6	273,7	421,9	438,5
223	305,7	70,5	2,3	380,5	348,8	273,9	421,2	437,1
224	305,6	69,8	2,3	380,1	348,9	274,5	419,6	435,7
225	304,9	69,7	2,3	379,6	348,5	275,0	418,7	434,4
226	304,3	69,7	2,3	379,3	348,7	275,2	418,0	433,2
227	303,4	69,9	2,3	378,8	349,0	275,4	416,8	431,8
228	302,6	70,0	2,3	378,6	348,7	276,1	415,9	430,4
229	301,2	69,9	2,2	378,6	348,9	276,2	415,5	429,2
230	300,4	70,6	2,2	378,2	349,0	276,6	414,9	427,9
231	300,1	70,3	2,2	378,0	348,8	277,0	414,4	426,9
232	299,9	69,9	2,2	377,5	348,5	277,2	413,5	425,9
233	298,9	69,1	2,2	377,6	348,7	277,4	412,4	424,9
234	298,5	70,3	2,2	376,9	349,3	277,3	412,1	423,5
235	297,8	70,2	2,1	376,6	349,4	277,5	410,8	422,6
236	297,3	69,6	2,1	376,5	349,3	277,9	410,0	421,8
237	296,5	69,5	2,1	376,1	349,1	277,9	409,1	420,6
238	296,0	70,7	2,1	375,9	349,7	277,4	408,5	419,2
239	295,8	70,8	2,1	375,6	350,8	277,1	407,6	418,5
240	295,9	69,9	2,0	374,6	350,5	277,1	406,6	417,4
241	295,8	64,3	2,0	372,3	350,6	276,7	405,7	414,0
242	294,7	65,0	2,0	371,9	350,4	276,5	404,6	413,3
243	293,3	66,5	2,0	372,5	352,0	276,1	403,3	412,4
244	292,0	67,3	2,0	372,3	351,4	276,4	401,9	412,0
245	291,2	67,8	2,0	372,3	350,9	276,4	400,5	411,2
246	290,1	68,1	2,0	372,0	350,7	276,4	399,3	410,4
247	288,4	68,4	1,9	371,3	350,2	276,2	397,9	409,2
248	287,7	69,0	1,9	371,0	349,7	276,5	396,4	408,3
249	286,3	70,2	1,9	370,8	349,4	276,3	394,9	407,4
250	285,4	68,0	1,9	370,2	348,1	275,3	394,2	406,4
251	285,0	68,9	1,9	369,5	349,2	275,4	392,6	404,9
252	283,0	68,6	1,9	369,1	348,8	275,6	391,1	403,6
253	281,8	69,3	1,9	368,9	348,7	275,7	389,3	402,5
254	280,7	69,1	1,8	368,5	348,1	275,4	387,6	401,3
255	279,6	69,1	1,8	368,1	348,0	275,6	385,8	400,0
256	279,1	69,6	1,8	367,8	348,0	275,3	384,1	398,9
257	278,0	69,1	1,8	367,4	347,9	275,1	382,9	397,8
258	277,8	70,0	1,8	367,2	347,3	274,9	381,6	396,5
259	277,1	69,9	1,8	367,0	347,3	274,6	380,5	395,3
260	276,8	70,4	1,8	366,8	346,8	274,5	379,8	394,2
261	276,9	70,0	1,7	366,6	346,4	274,2	378,7	393,0
262	276,3	70,1	1,7	366,4	346,6	273,9	378,0	391,9
263	276,5	70,2	1,7	365,9	346,2	273,6	377,7	390,9
264	276,6	70,0	1,7	365,8	345,5	273,2	377,4	389,9
265	276,4	69,9	1,7	365,8	344,5	272,9	376,5	388,9
266	276,7	69,9	1,7	365,7	344,2	272,6	376,4	387,8
267	276,9	69,2	1,6	365,2	343,6	272,3	375,6	386,9
268	276,5	69,1	1,6	365,1	343,1	271,7	375,0	386,0
269	276,4	69,1	1,6	364,8	342,3	271,2	375,0	385,2
270	276,3	69,7	1,6	364,7	341,6	270,9	374,3	384,4
271	276,1	69,2	1,6	364,4	341,1	270,6	373,7	383,7
272	275,5	69,4	1,6	364,0	339,9	270,2	373,2	382,9
273	275,2	69,2	1,6	363,9	339,4	269,9	372,3	382,2
274	274,8	69,1	1,5	363,7	338,6	269,5	371,8	381,4
275	274,0	69,7	1,5	363,3	337,6	268,9	370,8	380,8
276	273,8	69,8	1,5	362,9	336,7	268,8	370,3	380,2

277	273,2	69,7	1,5	362,5	336,4	268,4	369,2	379,4
278	272,4	69,7	1,5	362,1	335,7	267,7	368,0	378,7
279	271,8	69,2	1,5	361,8	335,0	267,6	367,6	378,1
280	270,7	70,4	1,5	361,3	335,2	267,3	366,4	377,4
281	270,5	70,0	1,4	361,0	335,0	266,9	365,2	376,5
282	270,0	69,9	1,4	360,5	334,8	266,6	364,2	375,7
283	269,2	70,0	1,4	360,1	334,8	266,3	363,7	375,0
284	268,7	69,2	1,4	359,5	334,8	265,8	362,8	374,1
285	267,7	69,5	1,4	358,9	334,8	265,4	362,3	373,5
286	266,8	69,7	1,4	358,5	334,7	265,1	361,6	372,6
287	266,2	69,3	1,4	358,2	334,4	264,8	360,9	371,9
288	265,0	69,8	1,3	357,7	334,4	264,5	359,9	371,2
289	264,2	68,9	1,3	357,3	333,7	264,4	359,0	370,4
290	263,8	69,3	1,3	356,7	333,0	264,1	358,2	369,5
291	263,3	69,2	1,3	356,1	332,4	263,6	357,5	368,7
292	262,7	68,6	1,3	355,5	331,8	263,4	356,0	368,0
293	261,7	69,1	1,3	355,2	331,2	263,2	355,1	367,1
294	261,3	69,5	1,3	354,8	329,6	262,7	354,2	366,3
295	260,5	69,2	1,2	354,4	329,4	262,4	352,7	365,4
296	259,8	69,4	1,2	353,9	328,6	262,2	351,5	364,5
297	258,9	69,4	1,2	353,7	329,0	261,7	350,4	363,7
298	258,1	68,7	1,2	353,3	328,5	261,5	349,1	362,9
299	257,3	69,4	1,2	352,9	327,6	261,2	347,9	361,8
300	257,0	69,4	1,2	352,7	326,8	260,8	346,5	361,0
301	256,1	68,8	1,2	352,3	326,8	260,5	345,5	360,0
302	255,5	69,4	1,2	352,0	326,1	260,2	344,3	359,1
303	255,3	68,9	1,1	351,5	326,0	260,0	343,5	358,3
304	254,7	68,9	1,1	351,1	325,6	259,7	342,4	357,3
305	254,2	69,1	1,1	350,7	325,1	259,3	341,4	356,4
306	253,8	68,7	1,1	350,3	325,1	259,1	340,8	355,5
307	253,5	68,6	1,1	349,9	325,1	258,9	340,2	354,7
308	252,9	69,1	1,1	349,5	325,7	258,4	339,0	353,8
309	251,9	68,9	1,1	349,1	325,6	258,2	338,4	352,8
310	251,5	68,7	1,1	348,5	325,5	258,0	337,4	351,9
311	251,3	69,5	1,1	348,3	325,6	257,6	336,6	351,2
312	251,2	68,5	1,0	347,8	324,9	257,5	336,0	350,3
313	250,7	68,9	1,0	347,4	325,2	256,6	335,0	349,4
314	249,6	68,4	1,0	346,8	324,6	256,6	334,5	348,5
315	248,8	68,4	1,0	346,4	324,0	255,9	333,9	347,7
316	248,6	68,5	1,0	346,1	323,5	256,0	332,8	347,2
317	248,1	68,5	1,0	345,9	323,5	255,7	332,1	346,5
318	247,4	68,1	1,0	345,5	323,6	255,5	331,6	345,6
319	246,5	68,4	1,0	345,4	323,7	255,1	330,8	344,8
320	246,1	68,3	1,0	345,2	324,2	254,9	329,7	344,1
321	245,5	68,5	0,9	344,7	324,1	254,8	328,7	343,4
322	245,2	69,0	0,9	344,5	323,5	254,6	327,7	342,7
323	244,9	68,8	0,9	344,1	323,1	254,3	326,7	342,1
324	244,3	68,8	0,9	343,8	323,3	253,9	326,2	341,4
325	244,1	67,9	0,9	343,4	323,3	253,6	325,7	340,8
326	243,8	68,6	0,9	343,2	323,4	253,4	325,2	340,2
327	243,1	69,3	0,9	342,7	324,5	253,2	323,9	339,4
328	242,3	68,8	0,9	342,5	324,7	252,8	323,1	338,8
329	241,9	68,4	0,8	342,3	324,8	252,6	321,9	338,2
330	240,7	68,1	0,8	341,9	322,3	252,6	320,7	337,7
331	240,1	69,0	0,8	341,8	321,9	252,0	319,3	337,0
332	239,6	68,5	0,8	341,3	320,7	252,0	318,2	336,3
333	238,1	68,4	0,8	340,9	319,1	251,8	316,9	335,7
334	237,4	68,8	0,8	340,7	317,0	251,7	315,7	335,1
335	236,9	68,6	0,8	340,5	315,8	251,4	314,3	334,3
336	235,9	68,5	0,8	339,9	314,5	250,6	313,3	333,7
337	235,1	68,9	0,8	339,4	313,5	250,5	311,9	333,0
338	234,3	69,4	0,8	338,8	312,8	250,2	310,8	332,3
339	233,5	68,8	0,8	338,0	312,4	249,8	309,7	331,5
340	232,9	68,6	0,7	337,5	310,4	248,7	308,8	330,9
341	231,9	68,8	0,7	336,9	310,7	248,6	307,6	330,3
342	230,7	69,8	0,7	336,2	309,6	248,6	306,7	329,6
343	229,7	68,4	0,7	335,6	308,6	247,7	305,6	329,0
344	228,8	68,0	0,7	334,8	308,6	248,0	304,3	328,2
345	228,3	68,3	0,7	333,9	308,1	248,0	303,1	327,5
346	227,5	68,9	0,7	333,0	307,0	247,5	301,8	326,9
347	226,9	68,0	0,7	332,3	306,6	247,4	300,9	326,1
348	226,1	68,5	0,7	331,3	306,2	247,2	299,6	325,1
349	225,7	69,0	0,7	330,7	305,8	246,9	298,6	324,5
350	225,3	68,5	0,7	329,9	304,9	246,3	297,6	323,8
351	224,6	68,1	0,6	328,7	304,6	245,9	296,9	323,1
352	224,3	67,9	0,6	327,9	304,8	245,8	295,6	322,3
353	223,1	68,3	0,6	327,0	304,4	245,7	294,6	321,5
354	222,9	68,5	0,6	326,1	305,0	245,3	293,7	320,7
355	222,7	68,5	0,6	325,3	304,6	245,2	293,0	320,1
356	221,8	68,4	0,6	324,5	305,0	244,8	292,1	319,2
357	221,4	69,1	0,6	323,5	304,5	244,6	291,3	318,4
358	220,7	68,7	0,6	322,6	303,1	243,7	290,1	317,8
359	220,0	68,8	0,6	321,6	303,4	243,4	289,3	316,8
360	219,5	67,8	0,6	320,7	303,7	243,1	288,5	315,9
361	219,0	68,3	0,6	320,0	303,2	242,9	287,8	315,3
362	218,4	68,4	0,5	319,2	302,1	242,3	286,8	314,5
363	218,0	68,4	0,5	318,4	302,6	242,5	286,1	313,9
364	217,3	68,1	0,5	317,6	302,9	241,4	285,3	312,9
365	216,7	69,5	0,5	317,1	303,1	241,5	284,8	311,9
366	216,7	69,2	0,5	316,4	303,5	241,6	283,7	311,1
367	215,9	69,0	0,5	315,7	303,8	241,3	283,2	310,4
368	215,2	69,5	0,5	315,1	303,9	241,2	282,5	309,8
369	215,0	70,1	0,5	314,3	303,3	241,1	281,6	309,4



370		214,6	69,9	0,5	313,5	303,7	240,5	281,1	308,6
371		214,6	69,6	0,5	313,1	303,5	240,7	280,7	308,1
372		214,5	69,2	0,5	312,4	302,9	240,5	280,1	307,6
373		214,0	69,4	0,5	311,7	303,3	240,3	279,5	306,9
374		213,5	70,1	0,4	311,0	303,2	240,1	278,6	306,2
375		212,8	69,4	0,4	310,4	302,6	240,1	277,8	305,6
376		212,4	68,7	0,4	309,6	302,1	239,7	277,1	305,0
377		212,2	68,9	0,4	308,9	301,8	239,6	276,1	304,3
378		211,6	68,5	0,4	308,2	300,1	239,5	275,4	303,8
379		211,2	68,8	0,4	307,4	301,0	239,2	274,7	303,1
380		211,0	68,6	0,4	306,6	300,6	239,1	274,1	302,4
381		210,5	68,8	0,4	305,9	300,5	238,9	273,7	301,9
382		209,9	68,7	0,4	305,2	300,4	238,7	272,8	301,2
383		209,7	68,5	0,4	304,4	300,5	238,6	272,3	300,7
384		209,4	69,0	0,3	303,5	300,2	237,9	271,7	299,6
385		208,9	68,7	0,3	302,5	299,1	238,1	271,3	299,3
386		208,6	68,4	0,3	301,9	298,7	238,0	270,6	298,8
387		207,9	68,5	0,3	301,2	297,8	237,9	270,0	298,3
388		207,3	68,4	0,3	300,4	296,4	237,4	269,2	297,8
389		206,7	68,1	0,3	299,8	295,6	237,4	268,4	297,3
390		206,2	68,5	0,3	299,0	294,7	237,1	267,6	296,8
391		205,5	68,0	0,3	298,2	293,3	237,1	267,0	296,2
392		205,1	68,3	0,3	297,2	291,8	236,9	266,2	295,7
393		204,6	68,8	0,3	296,3	290,9	236,5	266,0	294,4
394		203,8	68,5	0,3	295,7	290,1	236,4	265,4	293,9
395		203,1	68,7	0,3	294,7	288,8	236,5	264,5	293,4
396		202,7	68,3	0,2	293,7	287,1	236,0	263,7	292,9
397		202,3	68,0	0,2	293,2	287,3	236,1	263,3	292,2
398		201,8	69,0	0,2	292,3	287,0	235,9	262,3	291,5
399		200,8	68,5	0,2	291,4	285,5	235,1	261,6	290,8
400		200,1	68,1	0,2	290,5	285,4	235,4	260,9	290,0
401		200,0	68,4	0,2	289,6	284,6	235,3	260,1	289,4
402		199,4	68,7	0,2	288,8	283,9	235,3	259,4	288,5
403		198,6	68,6	0,2	288,0	284,0	235,2	259,2	287,6
404		198,3	69,1	0,2	286,9	283,1	234,7	258,0	286,8
405		197,6	68,3	0,2	286,3	282,5	234,5	257,2	285,9
406		197,0	68,8	0,2	285,4	282,2	234,8	255,9	285,0
407		196,4	68,2	0,2	284,7	281,1	234,7	255,4	284,2
408		195,7	68,6	0,2	283,9	280,2	234,6	254,3	283,4
409		195,0	68,9	0,2	283,2	279,3	234,5	253,5	282,3
410		194,4	68,6	0,2	282,3	278,6	234,5	252,9	281,4
411		193,9	68,6	0,2	281,4	276,9	234,3	252,1	280,6
412		193,3	68,1	0,1	280,8	275,8	234,3	251,2	279,6
413		192,9	68,0	0,1	279,8	274,8	234,0	250,6	278,6
414		192,1	68,1	0,1	278,8	274,9	233,8	249,8	277,5
415		191,7	68,2	0,1	277,9	274,2	233,6	249,1	276,6
416		190,9	68,0	0,1	277,3	272,8	233,7	248,0	275,7
417		190,5	68,0	0,1	276,5	271,3	233,6	247,1	274,7
418		190,1	68,3	0,1	275,6	271,2	233,1	246,4	273,8
419		189,4	68,4	0,1	274,8	270,2	233,3	245,5	273,0
420		188,5	68,7	0,1	274,0	270,0	233,1	244,8	272,0
421		188,3	68,2	0,1	273,0	269,5	232,8	243,9	271,0
422		187,5	69,1	0,1	272,4	268,4	232,8	243,0	270,1
423		187,0	68,7	0,1	271,6	267,6	232,3	242,4	268,9
424		186,5	68,0	0,1	270,8	267,1	232,0	241,6	268,2
425		185,9	68,3	0,1	269,7	266,6	232,0	241,1	267,1
426		185,6	68,6	0,1	268,6	266,6	232,3	240,4	266,3
427		185,3	68,8	0,1	267,9	266,2	232,1	239,7	265,5
428	Low setting	170,4	69,4	4,7	242,1	249,9	228,5	215,8	236,8
429	19-19-20	176,6	68,8	16,6	241,8	249,9	228,9	210,9	236,4
430	3 pieces	185,8	68,2	16,6	241,4	247,5	229,2	206,3	236,2
431		186,7	68,2	16,6	240,7	244,4	229,4	201,9	235,6
432		186,2	68,3	16,5	239,5	240,7	229,6	198,2	234,5
433		184,1	67,8	16,7	238,0	237,9	229,6	194,9	233,0
434		183,7	68,2	16,4	236,6	235,3	230,1	194,0	231,4
435		175,4	68,0	16,4	235,4	232,7	229,9	195,5	229,5
436		168,3	67,9	16,3	234,4	230,1	229,5	195,2	227,5
437		163,6	67,7	16,3	234,1	227,5	229,0	193,9	225,6
438		160,8	68,1	16,3	233,8	225,0	228,4	193,0	223,6
439		158,8	67,7	16,3	233,8	222,5	227,9	192,0	221,7
440		185,5	67,9	16,2	233,8	220,8	228,0	189,5	219,9
441		211,0	68,3	16,1	234,1	218,5	227,7	202,5	218,2
442		235,5	67,9	16,0	235,3	216,7	227,4	206,5	216,9
443		297,7	68,1	15,9	237,4	216,5	226,3	221,3	215,8
444		283,6	68,2	15,8	240,5	217,3	224,0	259,4	215,3
445		238,9	68,4	15,7	244,6	217,7	222,7	258,8	215,6
446		219,4	68,0	15,7	248,8	216,7	220,7	253,9	215,9
447		208,7	67,6	15,6	252,6	216,6	220,1	248,5	215,9
448		202,0	68,0	15,6	255,7	215,1	219,5	244,4	215,6
449		197,6	67,8	15,5	258,4	214,4	218,8	241,2	215,0
450		196,4	67,7	15,5	260,2	213,2	218,0	239,9	214,3
451		198,5	67,6	15,4	261,7	211,4	217,2	241,5	213,6
452		202,2	67,8	15,4	262,9	209,3	216,5	245,4	212,7
453		207,4	67,5	15,3	264,2	209,1	215,7	252,1	211,7
454		220,8	67,8	15,2	265,5	207,8	214,8	265,3	210,8
455		241,2	67,6	15,2	266,6	206,5	213,8	285,8	210,1
456		261,4	67,4	15,1	267,6	205,7	212,6	310,2	209,3
457		286,3	67,9	15,0	269,0	205,1	211,1	336,7	208,7
458		341,4	67,7	14,9	270,9	204,3	209,9	377,8	208,5
459		390,0	67,3	14,7	272,9	204,3	208,5	426,2	208,5
460		429,6	67,6	14,6	275,6	205,3	206,9	480,9	209,2
461		449,6	67,7	14,5	278,7	206,9	205,6	512,1	210,4
462		460,7	67,5	14,3	282,0	209,3	204,5	531,4	212,5

463	462,9	67,9	14,2	285,7	212,1	203,7	550,9	215,3
464	464,0	67,4	14,0	289,5	214,8	202,8	562,1	218,9
465	479,6	67,9	13,9	292,9	218,0	201,9	570,0	222,7
466	504,7	67,6	13,7	295,7	221,4	201,3	588,1	226,7
467	543,3	67,4	13,6	298,5	224,5	200,6	622,8	231,4
468	571,4	67,7	13,4	301,7	228,6	199,7	662,1	237,1
469	579,7	68,2	13,2	304,9	232,9	199,2	688,5	244,2
470	580,8	68,4	13,0	309,0	239,0	199,4	706,1	251,8
471	578,4	67,8	12,9	313,2	244,5	199,3	714,1	259,6
472	575,0	68,5	12,7	317,8	248,7	199,0	719,5	267,4
473	567,3	68,4	12,5	322,7	254,6	199,4	718,7	274,5
474	561,9	68,5	12,4	327,2	258,7	199,5	717,4	281,1
475	559,9	69,0	12,2	331,5	262,5	199,6	717,0	287,1
476	561,6	69,2	12,1	335,7	268,0	199,3	716,9	292,6
477	562,8	68,4	11,9	339,5	270,4	200,0	714,9	297,8
478	562,8	69,4	11,8	342,7	274,1	200,2	714,5	302,4
479	565,1	69,2	11,6	346,6	278,5	199,6	715,1	307,4
480	567,4	71,7	11,5	350,3	282,9	200,0	716,3	311,7
481	568,0	70,0	11,3	354,0	284,9	200,4	717,1	316,8
482	567,9	69,8	11,2	357,5	288,4	200,9	717,4	321,5
483	568,3	69,5	11,0	361,3	292,1	201,3	718,7	326,3
484	566,9	69,6	10,9	364,9	295,6	201,5	718,8	331,0
485	563,7	71,3	10,7	368,9	299,5	201,4	719,2	335,3
486	562,8	70,4	10,6	372,6	303,1	201,8	717,8	340,0
487	560,2	69,4	10,4	376,3	306,0	202,1	716,8	344,4
488	556,6	69,9	10,3	380,0	308,9	202,3	713,8	348,8
489	554,2	70,1	10,2	383,6	311,5	202,8	711,3	353,1
490	552,3	69,9	10,0	387,1	315,1	203,0	708,7	357,2
491	549,7	70,2	9,9	390,7	318,4	203,3	706,8	361,4
492	547,9	70,2	9,8	394,1	321,2	203,3	704,2	365,4
493	546,6	69,9	9,6	397,2	323,6	203,7	702,3	369,2
494	545,4	69,8	9,5	400,8	326,6	203,8	701,5	373,1
495	544,6	71,1	9,3	403,9	328,6	204,0	701,2	376,8
496	544,4	70,2	9,2	407,4	331,9	203,5	701,9	380,6
497	542,8	70,0	9,1	410,4	334,0	204,1	703,9	384,4
498	542,9	70,1	9,0	413,1	336,7	204,7	703,1	387,9
499	543,7	70,3	8,8	416,2	339,8	204,8	706,0	391,3
500	543,3	69,9	8,7	418,7	342,3	205,1	707,9	394,4
501	541,4	69,4	8,6	421,4	344,5	205,4	709,3	398,1
502	535,3	69,8	8,5	423,7	347,2	206,0	706,5	401,6
503	527,1	71,6	8,4	426,6	349,8	206,1	701,5	404,4
504	520,8	68,9	8,3	429,1	352,6	206,3	692,9	408,0
505	515,0	69,8	8,2	431,8	355,5	206,6	685,5	410,4
506	510,3	69,6	8,1	434,1	357,2	207,4	677,3	413,3
507	507,4	69,4	8,0	436,7	359,6	207,9	672,7	415,6
508	505,2	70,6	7,9	439,5	362,1	208,0	669,6	417,7
509	500,7	71,5	7,8	441,4	362,7	209,2	665,8	420,1
510	496,1	71,3	7,7	443,3	364,9	209,4	660,8	421,9
511	490,7	70,5	7,6	444,6	366,5	210,0	655,7	423,2
512	489,2	70,0	7,5	445,5	367,4	210,0	652,0	424,2
513	487,2	70,1	7,5	446,2	369,1	210,7	649,3	425,4
514	482,0	69,4	7,4	446,8	369,3	211,6	644,9	427,2
515	475,7	70,0	7,3	447,1	371,0	211,9	637,7	428,5
516	470,9	69,9	7,2	447,6	373,1	212,5	631,0	430,4
517	464,8	70,0	7,2	447,7	374,8	213,3	623,0	433,4
518	460,1	70,0	7,1	447,4	375,7	213,9	615,6	436,3
519	456,5	55,9	7,0	443,2	374,0	214,8	608,2	435,1
520	448,7	57,9	6,9	444,4	374,3	215,5	598,2	437,6
521	439,7	61,0	6,9	443,9	376,0	216,1	587,1	440,0
522	431,4	62,6	6,8	443,9	376,1	216,7	577,1	442,0
523	423,9	65,4	6,8	444,5	376,5	217,3	568,6	443,7
524	417,1	65,5	6,8	444,7	376,7	217,9	560,8	445,2
525	412,9	66,4	6,7	444,7	378,1	218,8	554,1	446,0
526	409,6	66,6	6,7	443,7	379,6	220,5	547,7	447,2
527	406,3	66,7	6,7	443,1	380,6	221,4	542,4	448,5
528	403,5	67,5	6,6	443,0	382,1	222,7	537,6	449,4
529	400,3	67,7	6,6	442,6	382,3	224,0	532,5	450,3
530	397,6	68,4	6,6	442,2	383,7	225,6	528,1	450,9
531	396,0	68,1	6,5	441,8	385,3	227,3	524,6	451,3
532	393,5	68,4	6,5	441,4	384,9	228,1	521,5	451,7
533	391,9	68,2	6,4	441,2	385,9	229,6	518,0	452,0
534	390,4	68,2	6,4	440,9	386,1	230,9	515,1	452,3
535	388,5	68,5	6,4	440,8	387,0	231,7	512,9	452,7
536	386,9	68,9	6,3	440,6	389,2	233,3	510,1	452,3
537	385,2	68,9	6,3	440,4	390,4	235,4	508,2	452,2
538	384,5	68,9	6,2	440,2	389,7	236,6	506,5	452,6
539	383,8	61,7	6,2	436,2	389,6	237,8	504,4	450,1
540	382,7	61,1	6,1	437,1	391,0	238,3	503,0	449,0
541	380,4	63,5	6,1	437,2	392,5	239,8	501,2	449,6
542	379,0	64,2	6,0	437,1	392,3	240,6	500,3	449,9
543	377,1	65,6	6,0	437,4	393,1	240,7	498,3	450,1
544	374,8	66,7	6,0	437,2	394,3	241,4	496,1	450,2
545	372,5	66,5	6,0	437,3	395,2	242,6	493,8	450,1
546	371,3	67,5	5,9	437,0	396,6	243,8	493,3	450,6
547	366,6	67,7	5,9	436,6	399,6	245,9	490,6	451,1
548	359,8	68,1	5,9	436,6	401,7	247,6	484,3	451,1
549	351,8	68,4	5,9	436,0	400,5	249,6	476,3	450,7
550	344,8	68,6	5,9	435,1	399,2	251,2	469,4	449,9
551	338,9	68,7	5,9	433,9	397,2	252,7	461,5	448,6
552	334,1	68,7	5,9	432,5	395,0	254,3	453,8	446,9
553	328,8	69,0	5,8	431,1	392,8	255,5	446,6	445,3
554	324,1	68,9	5,8	429,6	389,7	257,3	440,7	443,5
555	321,5	69,1	5,8	428,3	387,0	258,8	434,4	441,4

556	319,1	69,2	5,8	426,7	384,5	260,1	429,5	439,5
557	316,5	69,0	5,8	424,9	382,1	261,6	425,2	437,5
558	313,7	69,1	5,8	423,1	381,0	262,5	420,4	435,8
559	311,6	69,2	5,7	421,1	378,5	263,9	416,2	433,8
560	309,4	69,0	5,7	419,2	376,2	264,9	412,4	431,8
561	307,0	69,2	5,7	417,4	374,9	266,3	408,5	430,0
562	305,2	69,1	5,7	415,4	373,4	267,3	405,2	428,1
563	303,3	69,1	5,7	413,6	371,3	268,6	402,2	426,6
564	302,2	68,8	5,7	411,7	369,7	269,9	399,1	425,0
565	300,5	69,0	5,7	410,1	368,1	270,7	396,7	423,1
566	299,5	68,6	5,6	408,4	366,8	271,9	394,0	421,5
567	298,1	68,8	5,6	406,8	366,2	273,1	391,9	420,1
568	296,7	68,8	5,6	405,5	365,0	274,3	389,7	418,7
569	295,6	68,7	5,6	403,8	363,4	274,9	388,0	417,2
570	294,8	68,9	5,6	402,1	362,8	275,8	386,2	415,8
571	293,8	68,7	5,6	400,7	362,0	276,8	384,4	414,5
572	293,4	68,9	5,5	399,1	360,7	277,4	383,7	413,2
573	291,5	69,0	5,5	397,5	360,1	278,2	382,8	412,0
574	290,7	68,8	5,5	396,0	359,3	278,9	381,6	411,2
575	289,7	68,7	5,5	395,0	358,9	279,9	380,4	410,1
576	289,6	69,1	5,5	393,4	357,9	281,0	379,0	409,0
577	289,2	68,8	5,5	391,9	357,8	281,9	377,9	408,0
578	288,2	68,7	5,5	390,5	357,3	282,5	376,9	407,0
579	287,1	68,8	5,4	389,2	356,8	283,2	375,9	406,1
580	286,5	68,5	5,4	388,2	356,6	284,1	374,8	405,2
581	285,7	68,5	5,4	386,8	355,9	285,0	373,5	404,3
582	284,6	69,0	5,4	385,6	355,8	286,0	372,8	403,4
583	283,3	68,6	5,4	384,2	355,2	286,5	371,8	402,4
584	282,7	68,8	5,4	383,4	354,8	287,6	370,5	401,6
585	282,4	68,9	5,4	382,2	354,6	288,5	369,7	400,6
586	281,8	68,5	5,3	381,4	354,5	289,7	369,0	399,6
587	281,4	68,5	5,3	380,5	354,0	290,5	368,2	398,7
588	277,5	68,7	5,3	379,8	353,9	291,1	366,9	397,5
589	274,8	68,3	5,3	379,1	352,8	291,7	365,6	396,5
590	272,2	68,2	5,3	378,1	353,2	292,9	364,3	395,2
591	269,7	68,5	5,3	377,1	352,5	293,5	362,6	393,8
592	267,8	68,4	5,3	376,0	351,5	293,6	360,6	392,1
593	265,6	68,3	5,3	375,1	350,4	294,3	359,0	390,4
594	264,3	68,0	5,3	373,9	350,1	295,0	356,9	388,5
595	262,2	68,7	5,2	372,4	348,7	295,6	355,2	386,5
596	261,1	68,2	5,2	370,8	347,3	296,0	353,1	384,6
597	259,6	68,0	5,2	369,3	346,3	296,3	351,4	382,5
598	258,8	68,4	5,2	367,7	344,6	296,7	349,7	380,4
599	257,3	67,7	5,2	366,4	343,3	296,6	348,0	378,4
600	255,3	68,4	5,2	364,8	341,9	296,6	346,1	376,3
601	254,5	67,9	5,2	363,3	340,9	296,9	344,1	374,1
602	253,6	68,1	5,2	362,0	339,8	297,1	343,0	372,1
603	252,7	68,1	5,2	360,4	338,4	297,0	341,3	370,2
604	251,8	67,9	5,2	358,6	337,1	297,1	339,5	368,3
605	250,5	68,1	5,1	357,0	336,3	296,8	338,1	366,4
606	249,6	67,7	5,1	355,8	334,7	296,8	336,7	364,8
607	249,0	68,3	5,1	354,8	333,9	296,9	335,1	363,1
608	248,5	67,7	5,1	353,6	332,6	297,0	333,8	361,4
609	247,9	68,0	5,1	352,2	331,7	296,8	332,4	359,9
610	247,1	69,6	5,1	351,0	332,3	296,2	331,8	357,9
611	246,1	68,7	5,1	349,9	330,1	296,6	330,8	356,7
612	245,7	68,7	5,1	348,8	330,3	296,4	330,2	355,3
613	245,2	68,5	5,1	347,5	329,3	296,7	328,3	354,0
614	244,2	68,5	5,1	346,2	328,5	297,0	327,8	352,8
615	243,9	68,8	5,0	344,9	328,1	296,7	326,8	351,8
616	243,5	68,8	5,0	344,1	329,0	296,4	326,3	350,0
617	243,7	68,5	5,0	343,0	327,7	296,9	325,3	349,2
618	243,4	68,4	5,0	341,6	328,3	297,1	325,1	348,2
619	242,7	68,5	5,0	340,1	328,3	297,0	324,1	347,2
620	242,5	68,3	5,0	339,0	328,1	297,3	323,8	346,3
621	242,0	68,5	5,0	337,9	327,7	297,6	322,6	345,4
622	241,3	68,3	5,0	336,9	327,9	297,4	321,8	344,4
623	241,2	68,0	4,9	335,8	327,9	297,6	321,3	343,5
624	240,5	68,1	4,9	334,9	327,4	297,9	321,1	342,7
625	240,6	68,1	4,9	334,0	327,1	297,9	319,9	341,9
626	240,3	68,5	4,9	332,9	326,6	298,1	319,3	341,0
627	239,4	67,7	4,9	332,2	326,5	298,3	319,0	340,2
628	238,6	67,9	4,9	331,5	325,6	298,4	318,3	339,3
629	238,2	68,1	4,9	330,4	325,3	298,5	317,5	338,3
630	237,7	68,3	4,9	329,4	324,8	298,5	316,8	337,4
631	237,0	67,8	4,9	328,7	324,5	298,5	316,0	336,5
632	236,8	68,0	4,8	328,0	324,3	298,5	315,2	335,8
633	236,4	68,1	4,8	327,1	323,4	298,6	314,6	334,9
634	235,8	68,2	4,8	326,3	322,7	298,7	313,8	334,1
635	235,1	67,9	4,8	325,6	322,2	298,8	313,5	333,3
636	234,9	68,1	4,8	324,7	322,2	298,8	312,5	332,4
637	234,4	67,5	4,8	324,0	321,4	298,8	311,5	331,5
638	234,0	67,9	4,8	323,0	321,2	298,5	310,7	330,7
639	233,5	67,8	4,8	322,2	320,3	298,6	310,1	329,9
640	232,7	67,8	4,8	321,3	319,4	298,4	309,4	329,1
641	232,6	68,0	4,7	320,4	318,8	298,2	308,1	328,2
642	231,5	67,6	4,7	319,5	318,5	298,2	308,0	327,3
643	231,0	67,6	4,7	318,5	317,3	297,8	307,3	326,4
644	230,5	67,6	4,7	317,9	316,8	297,8	306,1	325,6
645	230,4	67,5	4,7	316,9	316,1	297,5	305,3	324,7
646	230,1	67,6	4,7	316,2	315,1	297,4	304,5	323,8
647	229,5	67,7	4,7	315,4	314,2	297,0	304,3	322,9
648	229,4	67,5	4,7	314,6	314,8	296,6	304,4	322,1



649		229,4	67,4	4,7	313,6	314,2	296,2	304,0	321,2
650		228,5	67,5	4,7	313,1	314,2	295,7	303,7	320,4
651		228,0	67,3	4,6	312,1	313,9	295,2	303,1	319,7
652		227,1	67,8	4,6	311,3	313,7	294,9	302,4	318,9
653		226,1	67,4	4,6	310,3	313,7	294,4	301,3	318,1
654		225,9	67,4	4,6	309,7	313,3	293,8	301,2	317,3
655		225,5	67,4	4,6	309,0	313,5	293,2	299,9	316,5
656		224,9	68,0	4,6	308,4	313,7	292,2	298,6	315,8
657		224,3	68,2	4,6	307,9	314,1	291,2	298,3	314,7
658		223,3	68,2	4,6	306,9	312,8	291,2	297,4	314,3
659		222,4	68,3	4,6	306,3	312,7	290,7	296,7	313,4
660		221,9	68,3	4,6	305,5	312,6	290,2	295,5	312,8
661		221,3	68,3	4,6	304,5	312,4	289,9	294,5	312,0
662		221,1	68,5	4,5	303,9	312,2	289,2	294,1	311,1
663		220,9	68,6	4,5	303,5	311,6	288,5	293,3	310,3
664		220,5	68,6	4,5	302,9	311,2	287,9	292,1	309,6
665		220,0	68,2	4,5	301,9	311,2	287,2	291,4	309,0
666		220,0	68,2	4,5	301,0	311,1	286,7	291,2	308,2
667		219,6	67,7	4,5	300,2	310,4	286,2	289,9	307,5
668		219,4	67,9	4,5	299,6	310,3	285,6	289,8	306,7
669		219,3	67,5	4,5	298,8	309,9	284,9	288,7	306,0
670		219,2	67,9	4,5	298,2	309,5	284,1	288,6	305,3
671		218,6	67,8	4,4	297,6	309,0	283,6	288,0	304,6
672		218,1	67,8	4,4	296,8	309,3	282,8	288,0	303,9
673		217,4	67,6	4,4	296,0	308,9	282,3	286,9	303,3
674		217,0	68,0	4,4	295,5	307,7	281,6	286,1	302,8
675		216,1	67,7	4,4	294,9	307,0	280,9	285,7	302,2
676		215,7	67,7	4,4	294,1	305,7	280,3	285,6	301,7
677		215,7	67,8	4,4	293,4	304,2	279,7	284,7	301,1
678		214,9	67,6	4,4	292,8	303,0	279,2	284,1	300,5
679		214,7	67,9	4,4	292,1	301,8	278,5	283,5	300,0
680		214,4	67,7	4,4	291,1	300,8	277,9	283,4	299,4
681		214,3	67,5	4,4	290,3	299,8	277,2	282,1	298,9
682		213,5	67,3	4,3	289,5	298,9	276,5	281,4	298,3
683		213,4	67,0	4,3	288,8	297,7	275,8	281,1	297,8
684		213,3	67,0	4,3	288,2	296,8	275,1	281,1	297,3
685		213,1	67,2	4,3	287,4	296,2	274,4	280,4	296,8
686		213,1	67,2	4,3	286,6	295,5	273,7	280,2	296,2
687		212,5	66,9	4,3	285,8	294,9	273,2	279,2	295,7
688		211,9	66,9	4,3	285,1	294,2	272,6	278,5	295,1
689		211,9	67,2	4,3	284,4	293,5	271,9	277,8	294,6
690		211,5	67,2	4,3	283,9	293,5	271,2	277,5	294,2
691		211,2	67,0	4,3	282,9	292,9	270,6	277,4	293,7
692		211,1	67,1	4,3	282,2	293,1	269,9	277,0	293,1
693		211,2	66,9	4,3	281,5	292,0	269,4	276,5	292,7
694		210,9	66,9	4,2	280,9	292,0	268,8	276,1	292,3
695		210,9	66,9	4,2	280,2	291,7	268,3	276,1	291,8
696		210,6	67,2	4,2	279,7	290,7	267,7	276,1	291,3
697		210,5	67,1	4,2	279,2	290,3	267,1	275,7	290,9
698		210,1	68,4	4,2	278,9	291,1	265,8	275,4	290,3
699		209,7	67,8	4,2	278,3	290,1	265,8	274,8	289,8
700		209,0	68,0	4,2	277,9	290,2	265,4	274,7	289,5
701		208,3	68,1	4,2	277,3	290,0	265,1	273,9	289,0
702		208,0	68,3	4,2	276,7	289,7	264,8	273,6	288,7
703		207,6	68,0	4,2	276,1	289,4	264,5	273,4	288,0
704		206,9	68,8	4,2	275,6	289,4	263,6	272,5	287,2
705		205,9	68,2	4,2	275,1	288,9	263,5	271,3	286,7
706		205,0	68,2	4,2	274,5	288,4	263,2	269,6	286,0
707		204,1	67,7	4,2	273,7	287,7	263,0	268,8	285,3
708		203,1	67,5	4,1	273,0	286,7	262,7	267,6	284,7
709		202,2	67,7	4,1	272,2	285,2	262,4	265,7	283,9
710		201,1	67,5	4,1	271,6	283,9	262,1	264,3	283,0
711	high setting	68,5	67,6	8,4	68,0	67,4	67,3	68,4	67,5
712	21-20-23	81,3	67,4	8,3	68,0	67,4	67,4	70,1	67,5
713	3 pieces	132,4	67,3	8,3	68,0	67,5	67,4	74,2	67,5
714		173,1	67,4	8,2	68,2	67,8	67,3	82,7	67,8
715		231,6	67,1	8,0	69,2	69,3	67,3	122,1	69,0
716		404,4	67,4	7,8	71,4	71,9	67,2	233,0	71,4
717		539,4	67,4	7,6	74,4	75,0	67,1	368,2	75,1
718		631,5	67,6	7,3	78,2	79,3	67,1	474,5	79,9
719		737,0	67,5	7,0	82,7	85,6	67,1	562,0	85,8
720		844,9	67,6	6,7	88,7	94,0	67,1	655,6	92,3
721		903,5	68,0	6,3	97,1	103,4	67,2	730,1	98,8
722		911,6	68,1	5,9	108,6	113,7	67,4	792,3	106,7
723		954,8	68,5	5,6	123,3	123,8	67,6	843,1	117,6
724	medium setting	936,1	69,6	5,2	140,1	133,2	68,1	879,3	131,8
725		847,6	71,0	5,0	158,5	142,4	68,9	876,2	148,5
726		785,1	69,7	4,8	177,4	151,6	69,7	864,1	166,4
727		745,7	70,5	4,6	194,8	162,3	70,8	853,0	183,8
728		723,0	69,9	4,4	210,7	172,2	72,1	842,7	199,9
729		700,8	69,7	4,2	225,3	182,4	73,6	835,4	214,4
730		681,0	70,1	4,0	239,3	192,3	75,3	830,3	227,5
731		672,8	70,3	3,9	252,6	201,5	77,2	826,5	239,3
732		672,4	69,6	3,7	265,1	209,3	79,1	827,4	249,8
733		668,6	69,7	3,5	277,5	217,9	81,1	829,9	259,6
734		667,6	69,6	3,3	289,7	225,4	83,2	833,0	268,8
735		662,7	69,8	3,2	301,3	233,4	85,2	834,4	277,4
736		656,3	69,7	3,0	312,4	240,3	87,4	833,4	285,7
737		649,7	70,0	2,9	322,9	247,0	89,6	827,1	293,8
738		641,5	70,3	2,7	332,8	253,2	91,8	814,7	301,7
739		627,8	69,8	2,6	342,2	258,8	93,9	800,2	309,4
740		617,9	70,1	2,4	351,0	264,4	96,1	786,5	316,8
741		608,6	70,7	2,3	359,0	270,0	98,2	772,2	324,0

742		601,4	70,0	2,2	366,3	275,6	100,5	761,6	330,7
743		596,5	70,7	2,1	372,9	280,0	102,6	751,4	337,1
744		589,2	70,1	2,0	378,8	285,5	104,8	741,0	343,4
745		584,0	70,6	1,9	384,4	289,8	106,9	732,2	349,2
746		579,3	69,8	1,8	389,5	295,6	109,0	726,5	354,9
747		574,5	70,2	1,7	394,3	301,4	111,1	720,0	360,3
748		568,9	70,6	1,6	398,9	307,3	113,2	712,4	365,4
749		564,0	69,8	1,5	403,2	313,4	115,3	705,0	370,5
750		559,0	71,0	1,4	407,4	319,7	117,3	698,3	375,3
751		554,0	70,1	1,4	411,3	325,7	119,5	694,7	380,3
752		547,0	70,1	1,3	415,1	332,7	121,7	687,2	385,2
753		538,8	70,1	1,2	418,8	339,4	123,9	677,8	390,0
754		530,7	70,5	1,1	422,4	345,8	125,9	668,3	394,7
755		519,7	69,9	1,1	425,7	352,1	128,2	657,0	399,2
756		512,5	70,1	1,0	428,7	359,0	130,3	646,5	403,4
757		508,2	69,9	1,0	431,5	364,8	132,4	638,0	407,0
758		501,7	70,0	0,9	433,7	370,3	135,0	630,5	410,1
759		496,1	69,6	0,9	435,8	374,8	137,4	621,5	412,6
760		486,5	69,9	0,8	437,8	379,5	139,5	614,0	414,8
761		472,8	69,7	0,8	439,1	383,9	141,8	598,2	416,7
762		466,1	70,2	0,7	440,0	386,7	144,3	585,9	418,2
763		461,2	70,3	0,7	440,9	390,4	146,6	576,6	419,5
764		457,4	70,7	0,7	441,5	393,9	148,9	566,0	420,5
765		452,7	70,0	0,6	441,9	397,9	151,3	559,7	421,3
766		446,2	70,1	0,6	442,1	402,5	153,6	552,4	421,8
767		437,7	69,6	0,6	442,3	405,8	156,0	542,1	422,2
768		377,7	70,8	5,4	442,3	409,5	160,7	521,3	422,5
769	medium setting	340,4	71,3	10,8	443,0	411,6	167,3	485,5	422,3
770	22-22-23	604,4	70,5	10,4	443,1	412,7	169,1	551,4	421,2
771	3 pieces	723,1	71,0	10,1	441,5	404,9	170,3	651,6	418,9
772		764,0	70,8	9,7	438,4	395,9	171,5	733,4	414,9
773		778,6	73,1	9,2	435,1	389,6	172,8	797,1	410,6
774		780,6	72,8	8,8	432,5	383,3	173,7	841,0	407,0
775		784,7	71,2	8,3	430,2	377,6	175,0	875,5	404,3
776		785,8	71,3	7,9	428,7	373,6	176,3	903,0	402,9
777		795,3	70,7	7,5	428,7	370,7	177,5	923,8	403,4
778		790,4	70,8	7,2	429,2	370,5	178,5	940,5	405,2
779		801,1	71,3	6,8	430,4	371,8	179,7	947,9	408,1
780		807,2	71,5	6,4	432,0	374,8	180,6	954,7	411,6
781		808,4	71,9	6,1	434,3	377,8	181,2	961,5	415,8
782		839,3	73,2	5,8	436,8	381,7	182,2	968,2	420,3
783		842,7	74,4	5,6	440,0	386,6	183,1	971,4	424,9
784		819,2	72,9	5,3	443,9	392,8	183,9	968,6	429,2
785		794,8	73,1	5,1	448,1	398,5	184,7	964,9	433,5
786		780,5	74,1	4,9	452,4	404,2	185,7	965,5	437,2
787		764,9	75,1	4,7	456,9	410,2	186,9	962,3	441,0
788		749,9	73,9	4,5	461,1	415,9	187,8	956,7	444,8
789		744,0	73,9	4,3	465,2	421,0	188,6	954,9	448,5
790		732,3	73,9	4,1	469,2	425,8	189,5	947,1	452,2
791		714,5	73,9	4,0	473,0	430,3	190,3	935,3	455,8
792		697,9	74,0	3,8	476,7	435,5	191,3	920,6	459,2
793		683,4	74,6	3,7	480,2	440,3	192,2	902,9	462,0
794		669,5	74,5	3,5	483,2	443,1	193,0	886,6	464,4
795		656,3	74,4	3,4	486,4	446,5	193,8	869,1	466,3
796		641,9	74,1	3,3	489,6	450,2	194,8	850,4	467,9
797		626,5	73,5	3,2	492,5	453,8	196,1	830,5	469,3
798		610,9	73,5	3,1	495,0	455,8	196,8	810,6	470,7
799		598,1	72,9	3,1	497,7	458,2	197,7	792,5	471,5
800		586,4	72,1	3,0	500,2	461,2	199,1	773,1	472,4
801		572,6	71,4	2,9	502,0	464,0	199,7	757,1	473,3
802		561,3	72,6	2,9	502,7	466,1	200,9	737,8	473,4
803		551,4	71,1	2,8	503,5	467,9	201,7	718,2	473,6
804		540,7	72,2	2,8	503,5	469,4	202,3	701,4	474,1
805		530,4	73,0	2,7	503,2	471,2	202,6	685,0	474,4
806		521,0	72,8	2,6	502,2	473,1	203,5	670,6	474,1
807		512,5	71,3	2,6	500,9	473,8	204,9	659,0	473,8
808		506,6	72,8	2,6	499,5	475,7	205,5	649,0	472,8
809		502,3	71,4	2,5	497,5	476,9	206,5	640,6	472,5
810		497,2	72,3	2,5	495,2	475,5	206,8	632,5	472,4
811		492,2	71,0	2,4	493,0	476,1	207,4	625,2	471,9
812		486,1	72,4	2,4	490,4	475,2	208,2	617,4	471,4
813		477,3	71,7	2,4	487,8	474,5	209,1	608,5	470,8
814		462,9	71,2	2,3	485,2	473,6	210,1	595,7	470,2
815		453,2	71,4	2,3	482,5	472,5	210,7	582,6	469,5
816		443,0	71,0	2,3	480,4	470,1	211,5	570,0	468,5
817		435,4	71,0	2,3	477,8	467,0	211,7	559,1	467,6
818		429,1	64,0	2,2	472,9	463,9	212,8	547,6	463,7
819		424,2	64,8	2,1	471,0	461,8	213,4	539,0	462,1
820		419,8	66,6	2,2	469,6	459,5	214,2	530,6	461,3
821		414,1	67,3	2,1	467,3	457,0	214,7	522,2	460,3
822		407,8	68,6	2,1	464,4	454,5	215,3	513,3	459,9
823		403,3	69,1	2,1	462,0	451,8	215,3	505,5	459,5
824		399,2	69,1	2,1	459,7	449,6	215,3	497,9	459,0
825		395,7	69,4	2,1	457,3	447,9	216,1	491,8	457,9
826		391,5	68,9	2,1	454,8	445,4	216,5	485,8	457,2
827		386,4	68,4	2,0	451,8	443,5	217,4	479,9	455,7
828		382,4	64,2	2,0	446,6	439,8	217,9	473,9	452,3
829		378,7	63,1	1,9	444,7	437,2	218,0	468,5	450,8
830		375,7	64,1	1,9	442,6	434,3	218,4	463,5	449,8
831		373,2	65,1	1,9	440,3	433,1	219,1	458,9	449,3
832		371,4	66,4	1,9	437,7	430,5	219,1	454,4	448,7
833		372,0	68,3	1,9	435,6	428,4	219,3	452,8	448,0
834		371,0	68,1	1,8	433,6	427,2	219,3	451,0	447,2

835	370,0	68,5	1,8	431,5	425,7	219,5	449,5	446,6
836	369,5	69,4	1,8	430,2	424,7	220,5	449,4	445,0
837	369,5	68,9	1,8	428,5	423,8	220,3	448,4	444,6
838	369,6	69,9	1,8	426,9	423,0	220,6	448,0	443,7
839	370,7	69,8	1,7	425,4	422,7	221,1	447,8	443,3
840	371,2	68,0	1,7	422,0	422,5	222,3	447,6	440,7
841	373,5	66,6	1,6	421,3	422,4	222,8	448,9	439,5
842	375,8	67,1	1,6	421,4	422,9	223,2	449,6	438,7
843	378,9	67,1	1,6	421,4	423,5	223,4	452,9	438,3
844	381,1	68,0	1,6	421,2	425,5	223,6	455,2	438,0
845	380,3	68,4	1,6	421,0	426,6	223,7	455,5	437,8
846	380,8	68,2	1,5	420,7	427,8	224,2	455,6	437,6
847	378,2	68,2	1,5	420,2	428,0	224,4	453,1	437,5
848	373,8	68,7	1,5	419,8	428,8	224,9	450,9	437,2
849	368,6	68,8	1,5	419,4	428,3	225,4	447,3	436,7
850	363,5	62,3	1,4	415,2	426,0	226,2	443,0	432,8
851	359,0	63,6	1,4	415,8	423,6	226,9	438,9	431,6
852	354,9	65,6	1,4	416,3	421,6	227,4	434,2	431,0
853	351,5	65,8	1,4	415,9	419,5	227,4	429,5	431,2
854	347,1	66,4	1,4	414,9	416,9	228,0	425,2	430,9
855	342,8	66,9	1,4	413,5	413,9	228,3	421,3	430,4
856	339,6	67,4	1,3	412,1	411,9	228,6	417,2	429,8
857	335,8	67,6	1,3	410,5	409,8	229,0	413,2	429,2
858	332,7	67,7	1,3	408,3	407,7	229,5	409,2	428,4
859	329,9	68,1	1,3	406,5	405,4	230,0	405,4	427,5
860	327,8	67,5	1,3	404,5	402,9	230,2	401,8	426,4
861	325,1	68,0	1,3	402,7	401,3	230,5	398,7	425,3
862	322,4	68,4	1,3	400,8	398,5	231,2	395,0	423,9
863	319,5	68,5	1,3	399,3	396,4	230,9	391,0	422,6
864	316,8	68,3	1,3	397,6	394,4	231,0	387,7	421,1
865	314,8	67,9	1,2	395,8	392,0	231,4	384,6	419,5
866	312,3	67,9	1,2	394,5	389,6	231,7	380,8	418,2
867	310,8	68,2	1,2	392,8	388,3	231,6	377,7	416,5
868	308,5	68,4	1,2	391,2	386,7	231,7	374,9	414,8
869	306,6	68,4	1,2	389,6	384,1	232,4	371,9	413,0
870	304,8	68,8	1,2	387,7	382,3	232,9	369,4	411,2
871	303,4	68,7	1,2	386,5	380,6	232,6	366,8	409,2
872	301,5	68,5	1,2	384,9	378,6	232,4	364,7	407,6
873	299,0	69,3	1,2	383,6	377,1	233,3	361,9	405,7
874	297,2	68,8	1,1	382,2	374,8	233,6	358,9	403,7
875	295,2	69,2	1,1	380,8	372,3	233,3	356,4	401,9
876	293,6	68,5	1,1	379,1	369,8	233,4	354,2	399,8
877	291,6	68,6	1,1	377,5	367,5	233,2	351,2	397,7
878	289,5	69,1	1,1	375,8	365,1	233,3	348,8	395,5
879	287,8	69,0	1,1	374,3	362,3	233,2	346,1	393,4
880	285,5	69,6	1,1	372,8	360,3	233,6	343,8	390,8
881	283,5	69,4	1,1	371,1	358,5	233,4	341,4	388,4
882	281,6	69,1	1,1	369,6	354,4	233,9	338,8	386,0
883	280,4	69,3	1,1	367,8	353,7	233,8	336,4	383,3
884	278,7	69,6	1,1	366,5	352,9	234,3	334,1	381,1
885	277,0	69,0	1,0	364,7	350,5	234,0	331,8	378,8
886	275,4	68,8	1,0	362,7	348,7	233,7	329,1	376,7
887	273,6	68,9	1,0	361,0	346,2	233,6	326,6	374,5
888	271,8	69,3	1,0	359,5	345,0	233,6	324,3	372,4
889	270,3	69,1	1,0	357,7	343,9	233,6	322,2	370,4
890	268,2	68,8	1,0	356,0	342,5	233,7	319,9	368,3
891	266,1	68,8	1,0	354,3	340,6	233,6	317,7	366,3
892	264,3	69,0	1,0	352,8	339,0	233,1	315,1	364,4
893	262,2	68,6	1,0	351,1	337,4	232,8	312,2	362,5
894	260,5	68,6	1,0	349,3	335,5	232,6	309,7	360,5
895	258,4	68,9	1,0	347,7	333,8	232,3	307,8	358,5
896	257,0	68,4	1,0	346,2	331,4	233,3	305,8	356,5
897	255,3	69,1	1,0	344,4	330,9	233,0	303,6	354,5
898	254,1	69,0	0,9	342,3	328,1	233,2	301,7	352,3
899	252,7	68,7	0,9	340,8	326,5	233,3	299,6	350,4
900	251,2	68,3	0,9	339,3	325,1	233,7	296,8	348,3
901	249,4	68,7	0,9	337,5	323,0	233,2	294,8	346,2
902	247,7	68,2	0,9	336,5	321,7	233,3	292,5	344,1
903	245,9	68,4	0,9	334,8	319,9	233,2	291,0	342,3
904	244,4	68,9	0,9	333,3	318,1	232,9	289,0	340,3
905	242,9	68,8	0,9	331,5	316,3	232,7	286,8	338,2
906	241,2	68,5	0,9	329,9	314,1	232,7	284,7	336,2
907	239,6	68,7	0,9	328,3	312,9	232,5	282,7	334,4
908	238,1	68,7	0,9	327,0	311,1	232,2	280,6	332,4
909	236,8	68,6	0,9	325,5	309,0	231,9	278,2	330,4
910	235,4	68,9	0,9	324,2	307,7	231,6	276,9	328,4
911	233,8	68,4	0,9	322,7	305,9	231,6	275,0	326,4
912	232,6	68,6	0,9	321,1	304,4	231,4	273,0	324,4
913	230,8	68,8	0,9	319,7	302,4	231,0	271,1	322,5
914	229,6	68,7	0,9	318,3	300,8	230,8	269,4	320,4
915	228,2	68,5	0,9	316,8	299,3	230,5	267,6	318,5
916	226,8	69,0	0,9	315,3	297,3	230,5	265,8	316,6
917	225,6	68,6	0,9	313,6	295,7	230,2	264,2	314,7
918	224,2	68,7	0,8	312,1	294,2	229,8	262,5	312,8
919	223,0	68,3	0,8	310,5	292,4	229,4	261,0	311,0
920	221,9	68,4	0,8	309,0	290,6	228,8	258,8	309,1
921	220,2	68,6	0,8	307,6	289,5	228,3	257,4	307,4
922	219,0	68,8	0,8	306,1	286,9	228,3	255,8	305,4
923	217,7	68,7	0,8	304,7	286,0	228,1	254,1	303,7
924	216,7	68,7	0,8	303,3	284,4	228,2	252,6	302,0
925	215,4	68,6	0,8	301,8	282,3	227,9	251,1	300,3
926	214,3	68,6	0,8	300,0	281,4	227,6	249,4	298,6
927	213,3	68,6	0,8	298,6	279,8	227,4	247,9	296,9

928		211,7	68,8	0,8	297,1	278,3	226,9	246,4	295,2
929		210,8	68,8	0,8	295,7	276,7	226,6	244,9	293,5
930		209,8	68,7	0,8	294,2	275,1	226,4	243,7	291,9
931		209,1	68,8	0,8	292,7	273,6	226,0	242,5	290,3
932		208,2	68,6	0,8	291,3	271,5	225,8	241,4	288,7
933		207,2	68,5	0,8	290,2	270,7	225,6	240,3	287,2
934		206,4	68,6	0,8	288,6	269,2	225,4	239,2	285,6
935		205,4	68,7	0,8	287,2	267,8	224,9	238,0	284,1
936		204,3	68,8	0,8	285,9	266,3	224,6	237,0	282,6
937		203,6	68,6	0,8	284,9	265,7	224,6	235,7	281,1
938		202,4	68,5	0,8	283,5	264,4	224,4	234,6	279,7
939		201,9	68,3	0,8	282,0	263,1	223,9	233,7	278,2
940		201,2	68,5	0,8	280,9	262,1	223,5	232,4	276,9
941		200,4	68,5	0,7	279,5	261,3	223,3	231,4	275,6
942		199,7	68,4	0,7	278,3	260,5	222,9	230,5	274,2
943		198,7	68,6	0,7	276,9	259,7	222,4	229,6	272,9
944		198,1	68,4	0,7	275,9	258,4	222,4	228,5	271,7
945		197,2	68,3	0,7	274,6	257,5	222,2	227,6	270,4
946		196,3	68,4	0,7	273,3	256,3	221,9	226,5	269,2
947		195,4	68,5	0,7	272,2	255,4	221,6	225,6	267,9
948		194,9	68,1	0,7	271,0	254,6	221,4	224,7	266,6
949		194,2	68,5	0,7	269,8	253,7	221,0	223,8	265,3
950		193,4	68,3	0,7	268,6	253,0	220,7	222,6	264,0
951		192,7	68,6	0,7	267,4	251,7	220,7	221,9	262,8
952		192,1	68,4	0,7	266,5	250,4	220,4	221,1	261,6
953		191,5	68,3	0,7	265,3	249,5	220,1	220,3	260,2
954		190,7	68,6	0,7	264,3	248,6	219,8	219,5	259,2
955		190,0	68,6	0,7	263,0	247,7	219,9	218,8	258,0
956		189,6	68,4	0,7	262,2	246,7	219,6	217,9	256,8
957		188,6	68,1	0,7	261,2	245,9	219,4	217,1	255,6
958		188,2	68,3	0,7	260,1	244,9	219,0	216,2	254,4
959		186,9	68,1	0,7	259,3	243,4	218,7	215,4	253,3
960		186,1	68,0	0,7	258,2	242,0	218,5	214,3	252,0
961		185,4	68,0	0,7	257,3	241,4	218,3	213,5	250,9
962		185,0	68,1	0,7	256,2	240,2	218,1	212,8	249,7
963		184,4	68,1	0,6	255,2	239,2	217,9	212,0	248,5
964		183,7	68,1	0,6	254,3	238,1	217,8	211,3	247,4
965		182,7	68,2	0,6	253,4	237,6	217,2	210,5	246,1
966		182,2	68,1	0,6	252,6	236,6	217,1	209,7	245,0
967		181,1	68,5	0,6	251,5	235,3	216,7	208,9	243,9
968	medium setting	163,8	68,6	14,9	250,7	235,4	219,5	203,5	242,3
969	19-22-24-23	167,4	68,7	14,9	249,5	233,2	222,1	197,9	241,6
970	4 pieces	208,8	68,4	12,7	248,2	231,6	223,6	196,5	240,3
971		226,0	68,7	14,6	246,4	230,4	220,3	207,8	238,8
972		243,4	68,1	14,5	244,7	229,8	218,2	221,7	238,0
973		271,3	68,2	14,3	243,0	230,7	215,7	242,8	237,8
974		311,1	68,3	14,2	241,7	230,4	213,8	278,4	238,2
975		352,1	68,2	14,0	240,8	231,4	212,2	324,0	239,2
976		452,4	68,2	13,8	240,2	232,8	210,4	390,7	240,6
977		525,2	68,4	13,6	240,2	235,1	209,0	459,7	242,5
978		572,5	68,6	13,4	240,9	238,8	207,3	530,8	245,3
979		594,7	69,0	13,2	242,5	244,3	206,1	590,0	249,0
980		605,3	68,7	13,0	244,8	248,7	205,4	642,4	253,6
981		611,7	68,9	12,8	247,9	253,5	204,5	686,9	259,2
982		612,2	68,9	12,6	251,8	258,4	203,9	717,3	265,2
983		618,9	68,5	12,4	256,1	263,0	203,6	737,7	271,0
984		611,5	69,1	12,2	260,7	265,9	202,8	740,9	276,7
985		600,6	68,9	12,1	265,5	269,2	202,8	734,5	282,8
986		596,8	68,7	11,9	270,3	272,2	202,6	729,8	289,1
987		599,5	69,0	11,7	274,9	273,9	202,6	729,0	295,4
988		606,4	68,7	11,5	279,5	276,9	202,5	733,2	301,6
989		619,4	68,6	11,3	284,1	279,6	202,3	743,8	308,0
990		635,7	68,8	11,1	288,5	283,1	202,4	757,9	314,2
991		652,0	68,8	10,9	293,2	285,6	202,4	776,2	320,6
992		669,0	68,9	10,7	297,8	289,9	202,6	795,0	326,9
993		683,0	69,3	10,5	302,6	293,0	202,9	814,6	333,5
994		695,9	70,4	10,3	307,2	297,4	203,3	832,1	339,8
995		706,8	69,5	10,0	312,1	301,8	203,4	846,6	346,5
996		716,1	69,5	9,8	317,2	306,0	203,4	860,2	353,3
997		725,0	70,0	9,6	322,5	309,2	203,3	873,8	360,2
998		731,6	70,0	9,4	327,9	314,6	203,7	884,2	367,0
999		735,5	69,7	9,1	333,4	319,1	203,6	891,8	373,8
1000		737,2	70,2	8,9	338,9	323,2	204,2	899,4	380,6
1001		732,2	70,8	8,7	344,3	327,2	204,5	900,9	387,3
1002		730,1	70,2	8,5	349,4	332,1	205,2	903,7	393,6
1003		728,1	70,9	8,3	354,0	337,3	205,6	903,1	399,5
1004		723,6	72,2	8,1	358,8	340,2	206,3	902,1	405,7
1005		719,3	73,4	7,9	362,9	345,3	207,2	902,0	410,8
1006		713,3	71,3	7,7	366,9	348,0	207,8	898,2	416,4
1007		707,3	70,7	7,5	370,5	352,4	208,7	893,8	421,2
1008		703,6	71,9	7,3	374,1	355,8	208,9	890,6	426,1
1009		697,9	72,9	7,1	377,3	359,2	209,4	886,5	430,6
1010		691,3	73,1	6,9	380,0	361,0	210,5	881,0	434,8
1011		684,3	73,8	6,8	383,0	364,4	210,7	873,6	438,5
1012		678,7	73,8	6,6	386,1	368,1	211,9	867,1	442,3
1013		674,4	73,8	6,4	388,7	370,6	212,8	861,2	445,3
1014		670,8	72,5	6,3	391,4	373,5	213,6	856,6	448,7
1015		667,6	73,1	6,1	393,9	376,1	213,8	852,2	452,2
1016		662,8	71,8	6,0	396,5	378,8	215,0	849,0	455,3
1017		657,3	70,9	5,8	399,3	381,8	215,5	845,7	458,1
1018		650,5	72,2	5,7	401,9	385,2	216,1	840,9	461,0
1019		645,8	72,4	5,5	404,5	388,6	216,8	836,9	463,7
1020		640,9	72,2	5,4	407,1	391,8	217,6	832,3	466,1



1021	636,2	73,1	5,3	409,6	395,4	218,2	827,8	468,3
1022	631,9	72,5	5,1	412,3	398,9	218,8	822,3	470,5
1023	625,8	71,7	5,0	414,9	402,9	219,6	813,4	472,5
1024	620,5	72,2	4,9	417,7	406,9	220,7	803,3	474,2
1025	616,8	72,2	4,8	420,4	411,3	221,7	795,4	475,9
1026	612,8	72,2	4,7	423,3	415,2	222,5	789,3	477,4
1027	606,1	72,5	4,5	426,0	419,0	223,1	780,8	479,4
1028	600,3	72,3	4,4	428,6	422,0	223,7	771,5	480,8
1029	594,5	71,8	4,3	430,9	425,6	224,3	762,1	481,8
1030	592,5	73,1	4,2	433,4	428,4	225,3	759,3	482,9
1031	587,3	72,7	4,1	435,6	431,5	226,1	756,7	483,8
1032	581,3	72,3	4,0	437,6	433,7	227,1	749,2	484,5
1033	575,6	72,7	4,0	439,3	436,0	228,2	740,8	485,0
1034	569,6	72,7	3,9	440,9	438,0	229,1	733,1	485,5
1035	563,3	72,3	3,8	442,7	439,0	230,3	725,1	485,7
1036	559,5	72,6	3,7	444,2	439,7	231,0	718,9	486,0
1037	555,0	73,0	3,6	445,6	440,6	231,9	713,1	486,1
1038	550,5	72,7	3,5	447,0	441,9	232,9	706,7	486,4
1039	544,0	72,7	3,5	448,6	442,1	233,7	699,7	486,4
1040	535,7	72,4	3,4	450,0	442,0	234,4	690,2	486,5
1041	527,7	70,8	3,3	451,7	442,3	236,0	677,5	486,4
1042	522,2	71,7	3,3	453,7	443,3	236,8	667,5	485,7
1043	518,1	71,4	3,2	455,5	442,5	237,4	660,0	485,0
1044	513,0	71,3	3,1	456,8	441,9	239,0	654,0	483,9
1045	507,8	71,8	3,1	458,3	441,0	240,0	646,5	482,8
1046	504,2	71,6	3,0	459,8	439,7	240,8	639,5	482,2
1047	499,6	71,4	3,0	461,2	438,7	241,3	633,2	481,1
1048	495,8	71,8	2,9	462,5	437,2	241,5	627,6	480,6
1049	487,9	71,8	2,9	463,6	435,7	242,3	618,6	479,6
1050	477,2	72,0	2,8	464,8	435,2	243,0	607,8	478,2
1051	469,7	72,4	2,8	466,0	435,5	243,7	596,6	477,0
1052	462,8	72,5	2,7	467,2	436,5	244,5	586,0	475,7
1053	457,6	71,2	2,7	468,3	436,7	245,1	577,5	474,2
1054	453,8	71,5	2,7	469,5	438,0	245,7	570,3	472,7
1055	450,7	71,9	2,6	470,6	437,9	246,3	564,7	471,0
1056	449,1	72,3	2,6	471,8	438,0	247,1	559,8	469,1
1057	447,4	71,7	2,5	472,9	438,1	247,6	555,1	467,3
1058	444,6	72,1	2,5	474,1	437,7	248,0	551,2	465,4
1059	443,1	72,1	2,5	475,3	436,9	248,8	548,8	463,6
1060	441,4	71,7	2,4	476,6	436,5	249,4	546,3	461,7
1061	439,7	71,8	2,4	477,9	436,1	249,9	543,8	459,9
1062	437,8	71,9	2,4	479,1	435,1	250,2	541,9	458,1
1063	435,2	72,3	2,3	480,2	434,9	250,6	540,4	456,3
1064	433,4	71,2	2,3	481,2	435,5	250,9	538,6	454,6
1065	431,3	70,1	2,2	481,8	434,8	251,1	535,7	452,9
1066	429,2	71,4	2,2	482,7	434,4	251,5	532,7	451,0
1067	426,1	70,8	2,2	483,0	434,7	252,6	530,1	449,1
1068	424,1	71,1	2,1	483,7	434,0	252,3	526,3	447,8
1069	423,1	70,2	2,1	483,9	433,7	253,7	523,8	445,4
1070	421,4	70,3	2,1	483,9	433,4	254,2	520,5	444,0
1071	419,1	70,3	2,0	484,3	432,4	254,1	517,2	442,7
1072	416,0	70,6	2,0	484,4	430,9	254,1	513,2	441,1
1073	414,2	70,8	2,0	484,3	430,3	255,2	509,9	439,3
1074	411,7	71,2	2,0	484,1	429,3	254,7	506,9	437,7
1075	408,9	71,1	1,9	484,0	427,0	255,0	504,2	435,9
1076	401,5	70,1	1,9	483,5	425,9	254,9	499,8	434,8
1077	390,4	71,0	1,9	482,7	424,1	256,0	494,0	433,0
1078	382,9	70,4	1,9	481,3	423,0	256,2	486,8	431,6
1079	377,8	70,7	1,8	479,9	421,0	256,2	480,0	430,3
1080	372,9	71,2	1,8	478,5	419,4	256,2	473,9	428,9
1081	368,7	70,8	1,8	476,4	417,2	256,7	468,7	427,1
1082	365,7	70,7	1,8	474,4	415,3	257,0	462,6	425,5
1083	362,0	71,4	1,8	472,4	413,8	256,9	457,2	423,7
1084	358,9	71,2	1,8	470,2	411,8	257,4	451,1	422,1
1085	356,1	71,3	1,8	467,8	410,2	257,2	447,1	420,3
1086	353,2	70,7	1,8	465,6	409,0	257,5	442,5	418,5
1087	350,4	71,2	1,7	463,5	406,7	257,7	438,0	416,8
1088	348,3	70,6	1,7	461,4	404,3	257,6	433,5	415,0
1089	346,1	70,4	1,7	458,9	403,6	257,9	431,0	413,2
1090	343,9	70,4	1,7	456,4	402,4	258,2	427,3	411,3
1091	342,2	70,3	1,7	454,2	400,8	258,1	422,8	409,8
1092	340,7	70,4	1,7	452,3	399,3	258,6	420,4	408,1
1093	338,5	70,0	1,7	449,9	398,3	258,8	417,5	406,4
1094	337,5	70,3	1,6	448,0	396,8	259,0	415,2	404,3
1095	335,4	70,3	1,6	446,4	395,2	258,7	412,5	403,1
1096	333,7	70,2	1,6	444,6	394,6	258,4	410,0	401,7
1097	332,3	70,9	1,6	442,8	392,5	258,4	407,2	400,1
1098	331,2	72,0	1,6	441,5	392,1	258,3	405,4	398,6
1099	330,2	71,1	1,6	439,4	390,8	258,8	403,3	397,0
1100	329,5	70,8	1,6	438,4	390,7	258,4	401,3	395,2
1101	328,7	70,7	1,5	436,7	389,4	258,7	400,0	394,0
1102	327,6	70,4	1,5	435,0	387,6	259,1	398,6	392,9
1103	326,7	70,6	1,5	434,1	387,0	258,1	396,4	391,7
1104	325,9	71,4	1,5	432,8	385,9	258,0	394,9	390,7
1105	324,7	70,3	1,5	431,5	385,4	258,1	393,9	389,4
1106	323,5	70,4	1,5	430,4	384,4	257,8	392,3	388,2
1107	323,2	70,1	1,4	429,1	383,8	257,8	391,5	387,0
1108	322,7	70,0	1,4	428,1	382,6	257,7	389,5	385,7
1109	321,6	70,2	1,4	427,3	382,0	258,2	389,0	384,6
1110	321,6	70,6	1,4	425,9	380,5	258,8	387,3	383,3
1111	320,7	70,1	1,4	424,8	379,7	258,1	386,1	382,5
1112	320,2	69,8	1,4	423,9	379,6	257,5	385,1	381,6
1113	319,8	70,3	1,4	422,9	378,8	257,0	384,5	380,5

1114		319,0	70,4	1,3	421,8	377,8	257,9	383,4	379,3
1115		318,0	70,2	1,3	421,0	377,6	257,7	382,0	378,2
1116		317,4	70,1	1,3	420,0	376,5	257,1	382,2	377,5
1117		317,8	70,0	1,3	418,6	376,6	257,1	381,4	376,2
1118		317,2	69,8	1,3	417,8	376,0	257,1	380,9	375,0
1119		316,5	70,1	1,3	417,1	375,8	256,8	380,2	374,3
1120		316,4	69,6	1,3	416,2	374,7	256,0	378,5	373,4
1121		315,5	70,7	1,3	415,1	374,0	256,1	378,4	372,7
1122		314,3	70,1	1,2	414,1	373,6	256,1	377,3	371,8
1123		313,4	70,5	1,2	413,2	373,9	255,6	376,4	371,0
1124		313,2	70,0	1,2	412,4	373,3	255,5	375,5	369,9
1125		312,8	70,6	1,2	411,6	372,5	255,6	375,2	368,8
1126		311,9	70,1	1,2	410,5	372,1	255,2	373,9	368,0
1127		311,2	70,7	1,2	409,7	371,8	254,7	372,9	366,9
1128		310,3	69,9	1,1	409,2	371,3	254,2	372,1	365,9
1129		309,1	69,5	1,1	408,1	371,8	253,7	370,4	365,1
1130		308,2	69,9	1,1	407,5	371,2	253,4	369,0	364,4
1131		307,7	69,7	1,1	406,0	369,8	252,9	367,1	363,4
1132		306,5	69,9	1,1	404,9	369,2	252,2	365,8	362,7
1133		305,6	69,8	1,1	403,9	368,4	252,1	364,6	361,6
1134		305,6	69,6	1,1	403,0	368,0	251,7	363,6	360,7
1135		304,8	70,1	1,1	401,6	366,8	251,3	362,6	359,7
1136		303,7	70,1	1,0	400,6	366,0	251,3	361,5	358,7
1137		303,4	69,8	1,0	399,5	364,9	250,7	360,5	357,8
1138		303,0	69,9	1,0	398,6	363,2	250,5	359,4	356,7
1139		300,4	69,9	1,0	397,8	362,2	250,0	358,2	355,5
1140		298,1	70,1	1,0	396,9	360,9	250,2	357,5	354,3
1141		296,5	69,5	1,0	396,2	358,7	249,8	356,2	353,3
1142		295,3	69,2	1,0	395,4	356,6	249,3	354,5	352,1
1143		294,5	69,0	1,0	394,4	355,8	249,4	353,0	351,0
1144		293,2	69,0	0,9	393,3	354,0	249,3	351,5	349,7
1145		292,0	69,5	0,9	391,8	353,1	249,0	350,3	348,4
1146		291,0	69,7	0,9	390,4	352,0	248,3	348,9	347,1
1147		289,7	69,5	0,9	389,0	350,3	247,7	347,5	345,8
1148		289,1	69,4	0,9	387,5	348,5	247,0	346,2	344,5
1149		287,9	69,3	0,9	385,7	346,7	246,7	344,9	343,1
1150		287,5	70,0	0,9	384,1	346,4	246,4	343,9	340,8
1151		286,3	69,1	0,9	382,9	345,1	246,2	342,7	339,7
1152		284,8	68,9	0,9	381,6	342,5	245,7	341,1	338,6
1153		284,4	69,5	0,8	380,2	342,5	244,6	340,0	337,1
1154		283,1	69,3	0,8	379,0	341,4	243,8	339,1	335,7
1155		281,5	69,5	0,8	377,8	339,0	244,0	337,6	334,2
1156		280,0	68,7	0,8	376,4	337,6	244,0	335,3	332,9
1157		278,7	68,5	0,8	375,4	336,4	243,5	334,3	331,4
1158		277,7	68,3	0,8	373,8	335,4	243,0	331,8	330,2
1159		275,9	69,1	0,8	372,6	333,3	242,6	330,7	328,7
1160		274,7	69,2	0,8	371,7	332,0	241,7	329,1	327,1
1161		273,6	69,1	0,8	370,6	330,8	241,2	327,5	325,4
1162		271,9	68,9	0,7	369,2	328,3	241,1	325,6	324,0
1163		270,7	69,6	0,7	367,9	327,1	240,3	323,9	322,5
1164		269,9	69,4	0,7	366,7	324,5	239,5	322,3	321,1
1165		268,3	68,9	0,7	365,6	322,2	239,3	320,4	319,6
1166		267,5	68,9	0,7	364,7	321,9	238,3	319,1	318,2
1167		267,8	68,9	0,7	363,5	320,2	237,5	318,3	316,8
1168		267,2	69,7	0,7	362,3	318,2	237,2	317,3	315,4
1169		212,9	69,9	0,7	361,7	318,0	242,4	302,5	313,2
1170	low setting	201,2	70,2	20,0	360,6	314,6	246,2	284,4	312,5
1171	20-24-22-22-21	201,2	69,5	20,0	358,8	308,3	248,8	268,3	310,6
1172	5 pieces	220,5	69,1	19,9	356,1	302,0	246,2	265,6	307,4
1173		237,2	69,3	19,8	352,4	293,7	244,5	271,2	303,3
1174		263,5	69,0	19,7	348,1	287,1	242,1	284,3	298,2
1175		296,2	68,8	19,6	343,3	279,9	240,4	312,5	293,0
1176		301,4	69,0	19,6	338,0	273,8	240,1	342,2	287,7
1177		336,7	69,1	19,4	333,3	268,1	239,3	371,0	282,4
1178		372,4	69,2	19,3	328,6	262,8	237,9	409,6	277,3
1179		394,2	69,3	19,2	324,0	258,4	236,3	449,0	272,5
1180		425,8	69,1	19,1	320,2	254,2	234,1	493,6	268,4
1181		459,5	69,4	18,9	316,5	250,3	231,9	542,4	264,2
1182		492,4	70,5	18,7	313,5	247,8	230,6	580,6	260,5
1183		512,7	69,0	18,6	311,1	244,4	228,7	606,4	257,8
1184		529,4	68,9	18,4	309,1	242,6	226,7	628,7	255,3
1185		542,8	69,3	18,2	307,9	240,0	225,4	651,4	253,3
1186		563,0	69,4	18,0	306,9	238,4	223,6	681,6	251,7
1187		564,9	68,9	17,8	306,2	237,9	221,4	692,9	250,7
1188		572,0	69,2	17,6	306,7	238,6	220,5	703,8	251,1
1189		577,8	70,3	17,5	307,8	238,2	219,3	714,4	252,1
1190		557,3	69,6	17,3	309,8	240,2	218,1	709,3	254,4
1191		570,5	70,6	17,1	312,3	242,5	216,5	722,5	257,1
1192		593,9	69,6	16,9	315,0	244,4	215,4	743,2	259,8
1193		625,8	69,8	16,7	317,9	247,1	214,1	764,4	262,7
1194		648,5	70,4	16,4	321,6	250,1	213,0	783,3	266,8
1195		662,3	70,1	16,2	325,6	253,8	211,8	805,5	272,1
1196		645,1	69,9	16,0	329,3	256,4	210,5	815,5	278,2
1197		646,3	70,4	15,8	332,8	260,0	209,8	823,6	284,6
1198		656,6	70,2	15,6	336,6	262,2	209,0	833,1	291,2
1199		657,5	70,0	15,3	339,7	266,4	207,8	838,4	297,6
1200		643,4	70,2	15,1	343,2	271,9	207,5	843,3	304,1
1201		624,7	70,5	14,9	346,8	278,3	206,2	845,5	311,0
1202		604,0	70,2	14,8	349,7	285,1	205,7	839,6	317,4
1203		587,9	71,3	14,6	352,8	291,8	205,1	824,3	322,9
1204		575,5	70,3	14,4	355,6	298,3	204,4	812,0	327,2
1205		565,5	70,7	14,3	358,2	304,4	203,8	801,0	330,7
1206		559,3	70,9	14,1	360,5	308,9	202,9	791,1	333,4

1207	555,2	70,9	14,0	362,8	312,3	202,4	783,6	336,1
1208	553,0	71,0	13,8	364,8	316,4	201,7	777,1	338,1
1209	553,4	70,9	13,7	366,7	318,7	200,9	775,2	339,8
1210	552,9	71,1	13,5	368,2	321,8	200,1	775,0	341,5
1211	553,0	71,4	13,4	369,8	324,0	199,3	776,2	343,2
1212	555,1	71,1	13,2	371,2	326,0	198,5	780,3	345,0
1213	555,8	71,5	13,1	372,6	327,8	197,8	782,5	346,9
1214	556,8	71,3	12,9	374,3	329,2	197,0	785,8	349,0
1215	557,9	71,4	12,8	376,3	331,1	196,2	787,6	351,1
1216	557,4	71,1	12,6	378,3	332,4	195,2	788,6	353,4
1217	556,2	70,9	12,5	380,0	334,0	194,5	788,3	355,9
1218	554,9	71,1	12,3	381,8	335,8	193,7	788,0	358,3
1219	553,6	71,0	12,2	383,8	337,0	193,1	786,1	361,1
1220	552,6	71,3	12,0	385,4	338,3	192,2	785,8	363,7
1221	550,8	72,7	11,9	386,6	339,9	191,6	782,2	366,1
1222	548,1	71,5	11,7	387,9	341,7	191,0	777,6	368,8
1223	546,7	71,4	11,6	389,1	343,2	190,3	772,4	371,3
1224	543,7	71,9	11,4	390,1	345,6	189,8	765,0	373,7
1225	538,4	71,3	11,3	391,2	348,2	189,3	756,7	376,2
1226	533,7	71,3	11,2	392,0	350,5	188,4	747,4	378,6
1227	530,5	70,9	11,1	393,0	353,4	188,0	740,5	381,0
1228	525,9	71,0	10,9	393,9	356,2	187,4	731,7	383,2
1229	522,1	71,3	10,8	395,1	358,1	186,8	722,8	385,6
1230	519,4	71,4	10,7	396,0	360,4	186,5	716,0	387,9
1231	515,7	71,8	10,6	397,1	362,4	185,8	709,2	390,5
1232	514,3	71,2	10,4	397,9	363,7	185,5	703,6	393,2
1233	511,9	71,2	10,3	399,2	364,9	184,9	700,0	395,7
1234	512,0	71,3	10,2	400,0	366,1	184,2	698,5	398,3
1235	511,5	72,2	10,1	401,0	367,2	183,8	697,8	400,8
1236	511,3	71,5	10,0	401,6	367,6	183,2	698,1	403,0
1237	512,2	71,7	9,9	402,3	368,4	182,8	699,7	405,3
1238	512,8	72,2	9,8	403,3	368,9	182,4	700,2	407,6
1239	512,3	71,4	9,6	403,9	369,5	181,8	699,9	409,8
1240	510,8	72,2	9,5	404,5	370,5	181,6	697,9	412,2
1241	509,7	72,5	9,4	405,1	371,3	181,1	695,4	414,8
1242	510,8	71,6	9,3	405,6	372,4	180,5	694,9	417,3
1243	512,1	71,1	9,2	406,2	373,1	180,4	697,5	419,6
1244	512,4	71,5	9,1	406,8	373,6	179,9	703,0	421,9
1245	512,3	72,3	9,0	407,5	374,8	179,5	708,5	424,1
1246	513,1	71,8	8,9	408,4	375,7	179,3	714,7	426,0
1247	514,0	71,8	8,8	408,9	376,8	178,8	721,8	427,7
1248	515,8	72,8	8,6	409,9	377,1	178,6	728,6	429,2
1249	514,7	72,6	8,5	410,7	377,4	178,4	732,6	430,1
1250	510,1	72,6	8,4	411,5	377,6	178,2	733,9	430,8
1251	505,2	72,9	8,3	412,4	378,4	177,9	727,4	431,0
1252	500,9	71,7	8,3	413,2	378,2	177,6	719,1	430,8
1253	498,6	71,5	8,2	414,1	378,1	177,4	712,3	430,6
1254	498,6	72,3	8,1	414,9	377,8	177,1	707,8	430,3
1255	496,8	72,3	8,0	415,4	377,6	177,0	704,6	430,1
1256	496,1	71,5	7,9	415,9	377,3	176,8	702,5	429,9
1257	495,9	71,0	7,8	416,5	377,6	176,6	698,6	429,9
1258	495,4	71,3	7,7	417,1	377,7	176,4	695,4	430,1
1259	497,9	71,1	7,6	417,3	378,4	176,2	698,9	430,6
1260	501,0	71,7	7,5	418,2	379,2	176,2	704,5	430,9
1261	503,0	72,1	7,4	418,9	380,2	176,0	710,4	431,4
1262	506,2	71,6	7,3	419,3	380,4	175,8	715,1	432,0
1263	508,5	71,3	7,3	419,9	380,5	175,9	720,8	432,4
1264	510,2	71,9	7,2	420,7	381,5	175,8	725,8	433,0
1265	512,6	71,8	7,1	421,5	382,0	175,8	730,0	433,8
1266	514,2	72,2	7,0	422,3	382,1	175,7	733,8	434,7
1267	514,8	72,6	6,9	423,1	382,7	175,8	736,7	435,6
1268	517,7	72,4	6,8	423,9	383,4	175,6	739,3	436,6
1269	522,8	72,1	6,7	424,5	384,0	175,4	744,7	437,7
1270	525,0	73,0	6,6	425,5	384,5	175,4	749,8	438,7
1271	526,8	73,5	6,5	426,1	384,8	175,5	753,9	439,7
1272	524,9	72,5	6,4	426,8	385,9	175,5	753,4	440,8
1273	520,0	71,9	6,3	427,7	386,4	175,8	748,2	442,0
1274	514,5	72,5	6,2	428,5	387,4	176,0	740,6	443,4
1275	510,6	72,3	6,1	429,2	389,1	175,8	732,3	444,6
1276	508,2	71,8	6,0	430,0	389,9	176,1	726,6	446,0
1277	507,5	72,4	5,9	430,5	390,8	176,1	723,3	447,4
1278	507,3	72,7	5,8	431,0	391,4	176,4	722,4	448,8
1279	507,7	71,8	5,7	431,3	392,0	176,6	721,7	450,2
1280	508,3	73,0	5,6	431,7	392,3	176,8	721,3	451,5
1281	509,7	73,5	5,5	432,0	392,3	177,1	722,4	452,9
1282	509,5	72,8	5,5	432,4	392,8	177,3	723,8	454,0
1283	508,4	72,9	5,4	433,0	393,8	177,6	725,8	455,0
1284	505,2	74,2	5,3	433,5	394,3	177,8	724,6	455,8
1285	500,9	73,5	5,2	434,4	394,8	178,1	719,9	456,3
1286	494,9	73,1	5,1	435,4	395,1	178,4	711,4	456,4
1287	488,8	71,9	5,0	436,2	395,0	178,7	701,8	456,2
1288	484,1	72,9	5,0	436,9	395,3	179,3	691,8	456,0
1289	482,7	71,5	4,9	437,5	394,6	179,6	683,0	455,5
1290	481,3	72,2	4,8	438,0	394,7	180,0	676,6	455,1
1291	478,6	71,9	4,8	438,3	394,6	180,4	671,7	454,6
1292	473,1	72,3	4,7	438,5	394,0	180,7	664,6	454,5
1293	461,8	72,0	4,7	439,1	393,4	181,1	655,4	454,2
1294	452,3	72,5	4,6	439,3	393,2	181,6	645,0	453,8
1295	444,7	73,1	4,6	438,9	392,8	182,0	633,6	453,4
1296	436,2	71,7	4,5	438,3	392,3	182,4	621,6	452,7
1297	426,2	72,2	4,5	437,7	391,4	183,2	608,8	452,1
1298	417,4	71,8	4,5	436,6	389,9	183,6	596,0	451,5
1299	408,8	71,5	4,5	435,0	387,5	184,0	584,1	450,6

1300	400,9	71,6	4,4	433,0	385,4	184,3	572,2	449,6
1301	393,6	70,9	4,4	431,4	383,4	184,9	561,3	448,7
1302	388,8	70,7	4,4	429,4	381,9	185,4	552,7	447,7
1303	383,0	70,4	4,3	427,4	380,5	185,9	545,6	446,7
1304	376,0	70,8	4,3	425,5	378,7	186,2	537,9	445,2
1305	370,6	70,4	4,3	423,8	376,7	187,0	530,4	443,6
1306	365,8	70,4	4,3	422,1	375,9	187,3	522,8	441,6
1307	361,7	70,2	4,3	420,5	374,6	187,7	515,9	439,4
1308	358,2	71,1	4,3	419,1	373,1	188,4	508,9	437,4
1309	354,7	70,8	4,2	417,7	372,6	189,0	502,8	435,2
1310	351,8	70,4	4,2	416,5	371,5	189,3	497,5	433,1
1311	348,9	70,1	4,2	415,0	370,8	189,8	492,4	431,1
1312	347,1	70,0	4,2	414,0	370,2	190,3	487,6	429,0
1313	344,3	69,9	4,2	412,9	369,7	190,8	483,3	427,2
1314	342,3	70,0	4,2	411,8	368,8	191,3	479,8	425,1
1315	340,5	69,9	4,1	410,8	368,3	192,0	476,5	423,5
1316	338,0	69,8	4,1	409,8	367,6	192,4	473,1	421,9
1317	336,2	70,1	4,1	409,1	367,1	193,1	470,0	420,2
1318	334,0	69,9	4,1	408,1	366,2	193,5	466,9	418,5
1319	331,4	69,6	4,1	407,2	364,8	194,0	463,3	416,9
1320	328,9	69,7	4,1	406,2	363,9	194,4	459,8	415,3
1321	326,5	69,8	4,1	405,2	363,4	194,9	456,1	413,7
1322	324,3	69,6	4,0	404,5	363,0	195,5	452,9	412,3
1323	322,4	69,6	4,0	403,6	361,8	196,2	449,7	410,8
1324	320,6	69,4	4,0	402,7	361,4	196,5	446,9	409,4
1325	318,4	69,6	4,0	401,8	360,3	197,1	443,9	408,1
1326	316,8	69,5	4,0	401,0	359,6	197,8	441,7	406,8
1327	314,7	69,7	4,0	400,3	358,3	198,3	438,8	405,3
1328	312,3	69,3	4,0	399,5	357,5	198,8	435,9	404,2
1329	310,3	69,5	3,9	398,8	356,7	199,2	433,3	403,1
1330	308,5	70,1	3,9	398,5	356,4	199,9	431,2	402,2
1331	306,6	71,4	3,9	398,4	355,8	200,7	429,1	401,0
1332	305,5	69,4	3,9	397,7	355,2	201,2	427,0	400,3
1333	303,9	69,8	3,9	396,8	355,9	201,1	424,7	399,3
1334	302,0	69,7	3,9	396,3	356,0	201,2	422,7	398,1
1335	301,5	70,0	3,9	395,1	355,1	202,2	419,9	397,2
1336	300,8	69,9	3,8	394,4	354,7	203,1	418,9	395,5
1337	299,4	69,8	3,8	393,6	355,1	203,5	416,6	394,9
1338	298,7	69,8	3,8	392,6	354,9	204,2	415,1	394,0
1339	298,1	69,7	3,8	391,7	355,6	204,6	413,2	393,0
1340	297,5	69,8	3,8	390,6	356,2	205,3	411,5	392,1
1341	296,8	69,7	3,8	389,9	356,4	205,8	410,1	391,2
1342	296,5	69,5	3,7	389,4	356,6	206,4	408,6	390,5
1343	296,0	69,4	3,7	388,5	357,3	206,9	407,5	389,5
1344	296,2	69,4	3,7	387,7	358,2	207,4	406,7	388,7
1345	295,7	69,5	3,7	387,4	359,2	207,8	405,7	387,8
1346	295,7	69,7	3,7	386,7	360,0	208,4	404,8	387,0
1347	299,5	69,2	3,6	386,0	360,0	208,9	407,1	386,2
1348	300,1	69,3	3,6	385,7	361,8	209,3	408,4	386,0
1349	299,8	69,7	3,6	385,2	363,0	209,7	409,0	385,6
1350	298,7	69,4	3,6	384,8	364,3	210,5	408,5	385,2
1351	297,6	69,5	3,6	384,5	365,9	211,0	407,9	385,0
1352	296,2	69,4	3,6	384,1	366,8	211,5	407,3	384,8
1353	294,6	69,4	3,5	383,7	368,5	212,1	405,3	384,7
1354	293,1	69,4	3,5	383,5	369,9	212,5	403,3	384,5
1355	292,0	69,2	3,5	383,0	371,7	213,0	401,7	384,4
1356	291,1	69,2	3,5	382,6	372,5	213,5	400,4	384,1
1357	290,3	69,3	3,5	382,4	374,2	214,2	398,9	384,1
1358	289,9	69,6	3,5	382,2	375,6	214,8	398,4	384,0
1359	289,6	69,4	3,4	382,0	376,9	215,5	396,9	384,0
1360	289,1	69,3	3,4	381,5	378,4	216,0	396,3	383,8
1361	288,5	69,5	3,4	380,9	379,7	216,8	395,2	383,6
1362	288,1	69,1	3,4	380,7	380,2	217,3	394,6	383,5
1363	287,9	69,2	3,4	380,2	381,2	217,9	394,0	383,4
1364	288,2	69,1	3,4	379,8	382,4	218,3	393,4	383,2
1365	288,1	69,1	3,3	379,6	383,3	219,0	392,9	383,0
1366	287,6	69,3	3,3	379,3	385,0	219,2	392,4	382,7
1367	287,7	69,2	3,3	379,0	386,0	219,6	391,6	382,6
1368	287,4	69,2	3,3	378,6	387,2	220,4	391,0	382,5
1369	287,0	69,2	3,3	377,9	388,3	220,7	390,9	382,2
1370	286,9	69,2	3,3	377,4	389,2	221,1	390,3	382,0
1371	286,0	69,3	3,2	376,9	390,1	221,8	389,5	382,0
1372	284,7	69,0	3,2	376,8	391,2	222,5	388,9	381,8
1373	284,5	69,3	3,2	376,6	391,2	222,9	388,0	381,7
1374	284,0	69,0	3,2	376,2	391,2	223,5	387,1	381,5
1375	283,8	69,3	3,2	376,0	391,5	224,0	386,4	381,5
1376	283,2	69,1	3,2	375,8	391,0	224,4	385,5	381,5
1377	282,4	69,0	3,1	375,4	390,7	224,9	384,8	381,4
1378	282,2	69,2	3,1	375,1	389,9	225,3	383,9	381,3
1379	282,2	69,0	3,1	374,8	390,1	225,9	383,3	381,2
1380	281,6	69,1	3,1	374,3	390,3	226,4	382,8	381,0
1381	280,9	68,9	3,1	374,1	390,3	226,7	381,9	380,7
1382	280,8	69,0	3,1	373,4	390,2	227,4	381,3	380,6
1383	280,4	69,0	3,0	373,2	390,3	227,6	380,7	380,3
1384	279,8	69,0	3,0	372,7	390,2	228,2	380,1	380,0
1385	279,6	68,8	3,0	372,2	390,5	228,7	379,7	379,4
1386	279,0	68,9	3,0	371,7	390,7	228,4	379,0	379,4
1387	278,8	68,8	3,0	371,2	390,9	229,1	378,7	379,2
1388	278,9	69,0	3,0	371,0	391,4	229,5	378,1	379,0
1389	278,9	68,9	3,0	370,7	391,7	229,7	377,4	378,6
1390	278,3	69,0	2,9	370,3	391,7	230,3	377,1	378,3
1391	278,5	69,0	2,9	369,8	392,3	230,5	376,9	378,1
1392	278,7	68,9	2,9	369,5	392,6	231,0	376,6	378,0



1393	278,9	68,8	2,9	369,3	392,6	231,4	376,9	377,7
1394	278,7	68,8	2,9	369,0	392,8	231,6	377,0	377,7
1395	278,8	68,7	2,9	368,9	393,3	232,0	377,3	377,5
1396	279,0	68,6	2,8	368,5	394,2	232,4	377,5	377,1
1397	279,2	68,7	2,8	368,2	394,9	232,8	377,5	376,8
1398	279,2	68,5	2,8	367,8	396,0	232,7	377,3	376,6
1399	279,4	68,5	2,8	367,4	396,6	233,1	377,3	376,3
1400	279,1	68,8	2,8	367,2	397,7	233,5	377,3	376,1
1401	279,7	68,9	2,7	367,1	399,0	233,6	377,1	375,9
1402	279,5	68,7	2,7	366,5	400,3	233,9	377,0	375,7
1403	279,6	68,6	2,7	366,5	401,4	234,4	377,0	375,3
1404	279,5	68,5	2,7	366,5	402,0	234,5	376,8	375,2
1405	279,7	68,7	2,7	366,4	403,3	235,0	376,6	375,1
1406	279,9	68,5	2,7	366,2	404,2	235,2	376,6	374,8
1407	280,1	68,8	2,6	366,0	405,1	235,9	376,7	374,4
1408	280,2	68,7	2,6	366,2	405,9	236,4	376,5	374,5
1409	279,9	70,1	2,6	366,6	406,7	236,5	377,0	374,0
1410	279,3	69,2	2,6	366,8	406,1	237,4	376,9	374,0
1411	278,1	69,3	2,6	366,6	405,3	237,4	377,4	373,7
1412	277,0	69,4	2,6	366,9	403,7	237,5	376,6	373,6
1413	276,1	69,6	2,6	366,8	401,9	237,6	374,9	373,6
1414	275,2	69,7	2,5	366,5	399,3	238,1	374,4	373,4
1415	275,0	69,6	2,5	366,4	397,4	238,2	373,4	373,2
1416	274,0	69,4	2,5	366,3	395,3	238,9	372,0	372,9
1417	273,2	69,0	2,5	366,1	393,1	239,2	370,7	372,6
1418	272,9	69,3	2,5	365,8	392,3	239,3	369,6	372,2
1419	271,8	69,1	2,5	365,4	390,7	239,6	368,2	371,7
1420	271,0	69,1	2,4	364,9	389,4	239,8	367,0	371,3
1421	269,7	69,2	2,4	364,6	388,6	240,3	365,7	370,8
1422	269,5	69,1	2,4	364,4	387,5	240,3	364,4	370,3
1423	268,9	69,0	2,4	364,0	386,7	240,5	363,3	369,6
1424	268,9	68,9	2,4	363,7	386,2	240,8	362,4	369,0
1425	268,0	69,1	2,4	363,3	385,2	240,9	361,2	368,5
1426	267,2	69,1	2,4	362,8	384,2	241,3	360,1	368,1
1427	266,8	68,9	2,3	362,4	383,3	241,2	359,1	367,4
1428	266,3	68,9	2,3	362,2	382,7	241,6	358,2	366,9
1429	265,7	69,0	2,3	361,5	382,4	241,9	357,4	366,2
1430	265,6	68,8	2,3	361,1	381,6	242,1	356,7	365,7
1431	265,2	68,8	2,3	360,9	381,0	242,2	356,1	365,1
1432	265,1	69,0	2,3	360,5	380,4	242,2	355,1	364,5
1433	264,7	68,7	2,3	359,9	380,2	242,6	354,5	363,9
1434	264,4	68,5	2,2	359,7	379,5	242,8	353,9	363,4
1435	263,8	68,9	2,2	359,3	379,2	243,1	353,3	362,9
1436	263,3	68,9	2,2	358,8	377,8	243,2	352,5	362,5
1437	263,0	68,8	2,2	358,3	377,1	243,0	351,7	362,0
1438	262,4	68,7	2,2	358,0	376,5	243,2	351,0	361,5
1439	261,9	68,9	2,2	357,6	376,0	243,3	350,1	361,0
1440	261,1	68,8	2,2	357,3	375,3	243,4	349,3	360,4
1441	260,5	68,6	2,1	356,9	374,4	243,4	348,6	359,8
1442	260,4	68,3	2,1	356,4	373,0	243,4	347,7	359,4
1443	259,6	68,8	2,1	355,8	371,6	243,3	347,1	358,9
1444	258,1	68,7	2,1	355,2	370,4	243,5	345,9	358,3
1445	257,4	68,8	2,1	354,7	368,9	243,5	344,9	357,7
1446	256,6	68,2	2,1	354,4	367,0	243,4	343,8	357,2
1447	256,1	68,7	2,1	353,8	365,5	243,5	343,1	356,4
1448	255,4	68,3	2,1	353,3	363,8	243,4	341,9	355,7
1449	254,6	68,2	2,0	353,0	361,8	243,3	341,0	355,2
1450	253,9	68,9	2,0	352,6	360,7	243,3	340,0	354,5
1451	253,1	68,6	2,0	352,0	359,2	243,1	339,1	353,9
1452	252,9	68,4	2,0	351,5	358,5	243,1	338,1	353,3
1453	252,1	68,6	2,0	351,0	357,5	242,7	337,1	352,6
1454	251,7	68,5	2,0	350,5	356,5	242,7	336,2	351,9
1455	250,9	68,7	2,0	350,0	355,7	242,1	335,4	351,1
1456	250,6	68,4	2,0	349,4	355,2	242,5	334,6	350,3
1457	249,7	68,3	1,9	349,0	354,0	242,3	333,5	349,6
1458	248,9	68,4	1,9	348,5	353,3	242,2	332,7	348,9
1459	248,5	68,4	1,9	348,0	353,1	242,1	331,7	348,2
1460	247,8	68,2	1,9	347,4	351,6	241,8	330,7	347,4
1461	246,8	68,5	1,9	346,7	351,3	241,9	329,6	346,6
1462	246,1	68,4	1,9	346,3	350,4	241,8	328,6	345,9
1463	245,5	67,9	1,9	345,6	349,9	241,5	327,5	345,1
1464	244,7	68,4	1,9	345,1	349,7	241,7	326,3	344,2
1465	243,7	68,1	1,9	344,5	348,4	241,3	325,2	343,5
1466	243,1	68,5	1,9	343,8	347,5	241,2	324,4	342,5
1467	242,2	68,3	1,8	343,1	347,2	241,0	323,3	341,7
1468	241,8	68,7	1,8	342,6	346,6	240,8	322,1	340,9
1469	241,0	68,2	1,8	341,7	345,4	240,5	321,1	340,1
1470	240,0	68,2	1,8	341,2	344,6	240,4	320,0	339,3
1471	239,2	68,4	1,8	340,5	342,7	240,2	319,2	338,4
1472	239,0	68,3	1,8	339,6	341,5	240,0	318,2	337,6
1473	238,7	69,7	1,8	339,3	342,0	239,2	318,0	336,6
1474	238,1	68,6	1,8	338,5	340,9	239,7	316,7	335,7
1475	237,5	69,2	1,8	337,9	340,7	239,3	316,3	334,9
1476	237,0	69,0	1,8	337,3	340,3	238,9	315,5	334,2
1477	236,1	69,1	1,7	336,8	340,1	239,2	314,1	333,6
1478	235,5	69,4	1,7	335,9	339,7	238,5	313,3	332,9
1479	234,7	69,0	1,7	335,6	339,7	238,0	312,3	332,0
1480	233,9	68,9	1,7	334,8	338,5	238,4	310,5	331,4
1481	232,9	68,8	1,7	334,0	338,0	238,1	309,3	330,9
1482	231,9	68,9	1,7	333,4	336,9	237,7	308,1	330,2
1483	231,3	68,8	1,7	332,8	335,9	237,5	306,6	329,4
1484	230,3	68,7	1,7	331,9	334,5	237,3	305,5	328,6
1485	229,4	68,8	1,7	331,0	333,4	237,1	304,1	327,8

1486		228,5	68,8	1,6	330,1	332,3	236,8	302,7	326,9
1487		227,3	68,9	1,6	329,0	331,1	236,6	301,6	326,0
1488		226,6	68,9	1,6	328,1	329,7	236,3	300,3	325,0
1489		225,9	68,8	1,6	327,2	328,1	235,9	299,1	324,1
1490		225,4	68,8	1,6	326,1	326,7	235,5	297,7	323,1
1491		224,6	68,7	1,6	325,3	325,3	235,1	296,7	322,2
1492		223,8	68,7	1,6	324,5	324,1	234,6	295,6	321,2
1493		222,9	68,5	1,6	323,5	322,8	234,2	294,4	320,3
1494		222,4	68,4	1,6	322,8	321,3	233,8	293,1	319,3
1495		221,7	68,4	1,6	321,9	319,9	233,3	292,1	318,2
1496		221,0	68,3	1,6	321,0	318,5	233,0	290,9	317,2
1497		220,1	68,5	1,6	319,9	317,5	232,6	289,8	316,2
1498		219,3	68,2	1,6	319,0	316,0	231,5	288,7	315,3
1499		218,5	68,2	1,5	318,2	314,3	231,4	287,7	314,4
1500		217,9	68,1	1,5	317,3	313,7	230,9	286,6	313,3
1501		216,9	68,1	1,5	316,3	312,5	230,2	285,5	312,3
1502		216,3	68,2	1,5	315,4	311,6	229,7	284,5	311,4
1503		215,5	68,2	1,5	314,7	310,2	229,6	283,2	310,4
1504		215,1	68,1	1,5	313,8	309,2	229,2	282,2	309,3
1505		214,4	68,2	1,5	312,9	308,1	228,7	281,0	308,5
1506		213,7	68,1	1,5	312,2	307,2	228,0	280,1	307,5
1507		213,1	68,1	1,5	311,3	305,9	227,7	279,2	306,5
1508		212,2	68,2	1,5	310,3	304,8	227,3	278,0	305,5
1509		211,3	68,3	1,5	309,6	304,0	226,7	277,0	304,5
1510		210,5	68,1	1,5	308,9	303,2	226,4	275,9	303,6
1511		210,0	68,2	1,5	307,9	301,9	225,7	275,0	302,6
1512		209,2	68,1	1,5	306,9	300,6	225,5	273,8	301,8
1513		208,2	68,1	1,4	306,2	299,5	225,1	272,9	300,9
1514		207,4	68,1	1,4	305,3	298,4	224,5	272,0	299,9
1515		206,8	67,7	1,4	304,5	297,5	224,1	271,0	299,0
1516		206,3	67,9	1,4	303,8	296,4	223,8	270,0	298,0
1517		205,6	67,9	1,4	302,7	295,8	223,2	268,8	297,1
1518		204,7	67,9	1,4	301,9	294,4	223,0	267,9	296,2
1519		203,8	67,8	1,4	301,1	293,7	222,5	266,9	295,3
1520		203,1	67,5	1,4	300,3	292,6	222,1	265,7	294,3
1521		202,1	67,9	1,4	299,3	291,5	221,9	264,7	293,4
1522		201,3	67,7	1,4	298,4	290,1	221,2	263,5	292,4
1523		200,6	67,9	1,4	297,5	288,9	220,8	262,6	291,4
1524		199,9	67,6	1,4	296,5	287,7	220,6	261,2	290,4
1525		199,0	67,7	1,4	295,7	286,7	220,1	260,1	289,5
1526		198,4	67,5	1,4	294,8	285,4	219,7	259,2	288,6
1527		197,6	67,7	1,4	294,1	284,2	219,5	257,9	287,6
1528		196,7	68,0	1,4	293,2	282,8	219,0	256,8	286,7
1529		196,0	67,7	1,3	292,2	281,7	218,9	255,7	285,6
1530		195,4	68,3	1,3	291,5	280,5	218,1	254,3	284,8
1531		194,5	69,2	1,3	290,9	279,2	218,0	253,8	283,5
1532		193,8	68,7	1,3	289,8	277,5	218,0	252,8	282,5
1533		193,1	68,8	1,3	289,2	277,1	217,2	252,0	281,4
1534		192,2	68,6	1,3	288,7	275,9	216,6	251,1	280,5
1535		191,2	68,8	1,3	287,9	274,5	216,6	250,0	279,7
1536		190,7	68,6	1,3	287,1	273,2	216,3	249,0	278,6
1537		190,4	68,6	1,3	286,6	272,2	215,6	248,1	277,6
1538		189,9	68,4	1,3	285,7	270,6	215,5	246,8	276,7
1539		189,4	68,4	1,3	285,0	269,1	215,4	246,0	275,9
1540		188,7	68,7	1,3	284,3	268,3	215,1	244,8	274,9
1541		187,9	68,6	1,3	283,5	266,8	214,9	243,8	274,0
1542		187,4	68,4	1,3	282,7	265,6	214,4	242,6	273,2
1543		186,9	68,4	1,3	281,8	265,1	214,1	241,6	272,2
1544	high setting	69,5	67,7	6,0	67,9	67,5	67,0	70,7	67,9
1545	20-21-23	90,2	67,7	5,9	68,0	69,4	67,0	74,0	68,0
1546	3 pieces	107,4	67,5	5,8	68,3	71,7	67,0	81,4	68,6
1547		153,3	67,4	5,6	69,1	75,3	67,0	94,4	70,2
1548		208,2	67,6	5,4	70,8	79,4	66,9	154,2	72,0
1549		335,0	67,6	5,2	74,2	83,9	67,0	297,4	75,9
1550		487,5	67,8	5,0	79,2	90,3	67,0	404,3	82,0
1551		569,4	67,7	4,8	85,4	99,2	67,1	494,9	90,1
1552		623,3	67,7	4,5	93,3	109,3	67,2	586,6	99,6
1553		676,6	68,0	4,2	102,1	121,5	67,4	662,4	110,8
1554		707,0	68,0	4,0	112,4	134,0	67,8	712,2	123,8
1555		706,1	68,0	3,7	124,5	147,7	68,2	758,8	138,7
1556		741,2	68,3	3,5	137,7	164,3	68,8	795,6	154,6
1557		757,0	68,7	3,2	151,6	176,8	69,6	820,3	171,7
1558		756,2	69,2	3,0	165,9	188,8	70,4	829,0	189,8
1559		750,0	69,6	2,8	180,4	201,5	71,4	836,3	208,8
1560		747,1	69,8	2,6	195,0	215,2	72,5	840,8	227,8
1561		732,5	68,9	2,4	209,3	229,5	73,6	830,1	246,2
1562		708,8	69,5	2,3	223,0	244,0	74,8	813,4	263,6
1563		694,7	69,1	2,1	236,1	258,6	76,3	798,0	279,5
1564		681,3	70,0	1,9	249,0	272,4	77,9	782,2	294,1
1565		669,7	69,8	1,8	261,0	285,9	79,6	770,2	307,3
1566		665,4	70,3	1,6	272,4	298,5	81,3	757,9	320,1
1567		657,2	69,4	1,5	283,0	309,4	82,9	748,4	332,2
1568		651,3	70,5	1,4	293,1	319,2	84,7	743,0	343,4
1569		651,7	70,6	1,2	302,3	329,4	86,5	743,3	353,4
1570		653,3	70,1	1,1	311,3	340,7	88,3	742,8	363,2
1571		650,6	70,3	1,0	319,8	352,7	90,1	737,3	372,4
1572		638,8	69,8	0,9	327,8	363,4	91,9	730,8	380,4
1573		627,2	70,3	0,8	335,4	371,4	94,2	716,2	387,5
1574	med setting	590,5	70,7	19,4	344,2	376,6	97,7	660,5	393,7
1575	21-22-23-21	454,8	71,6	18,2	349,8	372,7	99,5	663,3	396,3
1576	4 pieces	550,0	71,1	18,0	353,4	363,1	101,2	678,9	397,4
1577		594,2	70,9	17,8	354,6	351,9	102,9	699,7	395,6
1578		618,7	71,5	17,6	354,2	340,4	104,7	720,1	392,2

1579	635,2	71,4	17,4	352,8	330,9	106,5	743,7	388,1
1580	658,7	70,2	17,1	350,8	321,3	108,1	775,1	384,0
1581	697,0	70,8	16,9	349,1	313,6	109,7	809,0	380,1
1582	724,0	71,6	16,6	347,6	306,5	111,1	838,1	376,8
1583	745,2	70,6	16,4	346,5	300,8	112,6	864,3	374,4
1584	761,8	70,0	16,1	345,9	296,0	114,0	887,0	372,4
1585	774,7	71,6	15,8	345,8	291,9	115,4	908,3	370,9
1586	797,2	71,9	15,5	346,1	288,8	116,6	933,0	369,8
1587	842,5	72,8	15,2	346,8	286,3	118,0	956,6	369,2
1588	855,0	72,2	14,9	347,5	284,3	119,2	971,2	368,8
1589	853,8	73,3	14,7	348,7	283,2	120,5	979,7	368,6
1590	850,7	73,5	14,4	350,4	282,9	121,7	986,0	368,6
1591	850,7	72,5	14,1	352,4	282,6	123,0	990,1	368,9
1592	845,9	72,6	13,8	354,6	283,6	124,2	991,1	369,3
1593	834,9	73,5	13,6	357,1	284,0	125,5	991,0	369,9
1594	826,1	73,1	13,3	359,5	284,8	126,6	990,2	370,6
1595	822,2	73,2	13,0	361,9	286,0	127,8	989,1	371,3
1596	820,3	73,4	12,8	364,3	286,9	129,0	981,8	372,1
1597	823,0	73,9	12,5	366,7	287,9	130,1	977,6	372,6
1598	823,6	74,7	12,3	369,0	288,9	131,2	975,0	373,3
1599	812,5	73,1	12,0	371,2	289,6	132,2	972,4	373,6
1600	805,4	74,1	11,8	373,9	291,4	133,3	969,0	373,8
1601	803,0	74,4	11,6	376,4	292,9	134,4	970,3	374,5
1602	806,0	74,8	11,3	378,8	293,9	135,4	973,6	375,2
1603	802,9	72,9	11,1	381,2	295,3	136,7	972,2	375,7
1604	799,9	75,2	10,9	383,9	297,2	137,8	969,9	376,4
1605	792,1	75,4	10,7	386,4	298,8	138,5	966,6	377,0
1606	787,6	76,1	10,4	388,8	300,3	139,5	964,9	377,4
1607	783,5	74,5	10,2	391,1	301,3	140,5	965,9	377,8
1608	784,2	73,3	10,0	393,6	303,7	141,4	965,5	378,0
1609	774,6	73,0	9,8	396,1	305,2	142,1	957,6	378,7
1610	755,9	74,9	9,7	398,8	307,4	143,1	943,4	379,1
1611	738,8	74,5	9,5	401,5	309,2	144,2	926,0	379,3
1612	721,2	73,8	9,3	404,1	310,2	145,1	909,4	379,3
1613	707,1	72,8	9,2	406,7	311,2	146,2	894,5	379,0
1614	696,8	74,8	9,0	409,5	312,8	147,1	882,9	378,5
1615	689,8	75,7	8,8	412,1	313,2	148,0	872,7	377,8
1616	684,8	73,2	8,7	414,6	313,8	148,9	866,1	376,8
1617	677,6	73,0	8,6	417,5	314,3	149,7	858,1	375,5
1618	669,8	73,8	8,4	420,5	315,2	150,5	845,7	374,3
1619	658,3	74,1	8,3	423,4	315,9	151,3	835,2	373,0
1620	650,3	74,1	8,1	426,4	316,6	152,1	826,0	371,8
1621	643,1	73,3	8,0	429,4	316,8	153,0	816,2	370,6
1622	636,4	73,0	7,9	432,6	317,5	153,7	804,4	369,6
1623	629,7	74,0	7,7	436,1	318,3	154,7	795,0	368,7
1624	623,8	72,3	7,6	440,1	319,2	155,7	788,3	367,6
1625	617,8	74,0	7,5	444,5	319,8	156,3	779,8	367,0
1626	612,0	74,0	7,3	448,7	320,1	157,2	770,3	366,5
1627	608,7	73,7	7,2	453,3	321,4	158,0	763,7	365,9
1628	603,0	73,9	7,1	458,0	322,3	159,2	758,0	365,0
1629	600,6	74,4	7,0	462,9	323,5	159,9	755,5	364,5
1630	598,8	73,2	6,9	467,6	325,0	160,7	750,5	363,9
1631	595,0	73,9	6,7	473,0	326,1	161,6	748,8	363,7
1632	592,7	74,3	6,6	477,8	327,0	162,4	747,5	363,5
1633	591,7	72,3	6,5	482,1	328,0	163,4	747,5	362,9
1634	591,7	72,0	6,4	486,9	329,2	164,1	744,8	362,8
1635	590,6	72,2	6,3	491,7	330,9	164,9	742,0	362,9
1636	589,2	72,8	6,2	496,1	332,2	165,6	741,2	362,9
1637	588,1	72,9	6,0	500,2	332,9	166,8	738,5	363,1
1638	587,2	72,1	5,9	503,8	334,5	167,5	736,0	363,1
1639	585,5	73,6	5,8	507,7	336,3	168,2	734,2	363,3
1640	584,8	72,9	5,7	511,5	337,6	169,3	734,0	363,5
1641	583,2	72,1	5,6	515,0	338,9	170,1	733,0	364,4
1642	582,7	73,4	5,5	517,8	340,6	170,9	731,7	365,2
1643	580,8	73,7	5,4	520,9	341,9	172,2	731,7	366,1
1644	578,9	72,8	5,3	524,0	343,8	172,8	730,5	367,3
1645	577,3	73,9	5,2	527,0	345,5	174,1	728,5	368,5
1646	575,2	75,0	5,1	529,3	347,3	174,9	723,8	369,6
1647	571,0	74,7	4,9	532,1	349,3	175,9	717,9	371,0
1648	567,1	75,2	4,8	534,2	351,2	176,6	711,9	372,4
1649	563,0	75,2	4,7	536,1	352,6	177,5	708,8	373,9
1650	560,7	74,4	4,6	538,0	354,3	179,0	705,1	375,0
1651	558,8	74,9	4,5	539,7	355,7	179,6	702,9	376,8
1652	558,0	74,6	4,4	541,4	357,7	180,7	698,9	378,6
1653	556,7	73,9	4,3	542,7	359,1	181,8	696,8	380,4
1654	556,7	73,1	4,2	543,8	360,7	182,8	694,9	382,2
1655	555,8	74,3	4,1	545,7	362,6	184,2	693,2	383,8
1656	555,6	75,4	4,0	547,3	363,7	184,8	690,9	385,9
1657	555,6	74,8	3,9	549,5	365,0	185,9	687,4	387,9
1658	552,4	75,8	3,8	551,4	366,2	187,1	682,7	389,7
1659	549,0	75,7	3,8	553,5	368,3	187,9	677,7	391,8
1660	546,0	75,7	3,7	555,4	369,5	189,3	671,0	393,9
1661	540,2	74,5	3,6	557,7	371,5	190,3	666,4	395,9
1662	536,3	74,5	3,5	559,2	372,9	191,1	663,2	397,6
1663	534,9	74,1	3,4	560,5	374,6	192,3	658,2	399,7
1664	531,8	73,1	3,4	561,7	376,7	193,5	653,4	401,4
1665	528,3	73,2	3,3	562,3	378,9	194,5	649,2	403,3
1666	523,9	75,0	3,2	562,7	381,0	196,1	644,7	404,6
1667	521,0	75,4	3,1	561,9	382,6	197,2	639,3	406,4
1668	519,0	74,1	3,1	561,4	384,5	198,2	633,8	408,0
1669	514,0	72,4	3,0	561,3	386,1	199,7	628,9	408,6
1670	509,9	72,1	2,9	559,8	386,9	201,2	623,4	409,2
1671	506,3	72,0	2,9	558,8	387,2	202,5	619,0	410,2

1672		503,1	73,2	2,8	557,9	389,0	203,4	614,7	411,7
1673		500,1	73,1	2,8	556,9	390,6	204,7	610,0	413,7
1674		496,1	73,3	2,7	556,0	392,3	205,7	604,8	415,1
1675		491,6	72,7	2,6	554,0	393,2	206,9	598,7	416,3
1676		486,0	71,8	2,6	551,9	393,3	208,0	591,7	417,5
1677		477,8	72,2	2,6	551,1	395,2	209,3	584,8	418,3
1678		472,7	71,1	2,5	549,6	396,1	210,3	578,0	420,0
1679		468,1	71,9	2,4	548,2	396,8	211,2	574,4	422,1
1680		469,0	71,5	2,4	547,4	398,6	212,5	573,5	423,9
1681		466,5	73,8	2,4	545,5	399,8	213,5	572,6	426,3
1682		464,2	72,6	2,3	543,4	402,6	214,7	570,5	427,3
1683		461,0	72,1	2,3	540,9	404,7	215,3	566,9	428,4
1684		456,5	71,8	2,3	539,3	405,7	216,2	562,6	430,1
1685		453,2	71,3	2,2	536,0	406,7	217,5	557,7	431,2
1686		448,8	71,8	2,2	533,3	408,6	218,5	553,3	432,5
1687		446,0	71,6	2,2	529,4	409,3	219,8	548,8	433,0
1688		443,5	72,5	2,1	526,9	410,7	220,5	544,8	433,9
1689		440,5	71,8	2,1	523,6	411,6	221,1	540,5	435,2
1690		438,0	72,4	2,1	519,8	412,0	221,7	536,8	435,5
1691		434,7	72,1	2,0	517,3	413,0	222,9	533,3	436,3
1692	low settig	432,5	71,8	2,0	515,0	413,2	223,7	530,1	437,4
1693	21-24-22-24-22-22	430,9	71,2	15,9	513,0	415,2	230,5	502,5	439,0
1694	6 pieces	334,7	72,3	15,5	510,6	413,2	232,8	489,0	439,5
1695		347,3	71,2	15,3	507,4	407,9	234,1	511,1	439,0
1696		389,8	71,2	15,2	502,9	400,5	235,0	556,3	437,1
1697		452,7	71,1	15,0	496,1	391,7	235,6	599,6	433,4
1698		498,9	71,2	14,8	489,8	383,0	236,2	636,1	429,6
1699		524,9	71,1	14,7	482,6	375,0	237,0	667,0	425,4
1700		547,1	70,4	14,5	475,7	368,3	237,0	703,5	420,6
1701		567,3	71,6	14,3	468,3	361,8	237,5	735,9	416,3
1702		583,4	71,4	14,1	461,2	355,9	237,6	762,4	412,2
1703		596,1	71,0	13,9	455,9	350,8	237,7	780,6	408,9
1704		602,2	71,2	13,7	450,5	347,9	238,4	799,7	406,7
1705		614,2	71,6	13,5	446,4	344,4	238,6	818,6	404,8
1706		626,3	71,9	13,3	442,5	341,0	238,4	831,9	403,4
1707		633,8	71,9	13,1	439,4	339,3	238,2	842,8	402,3
1708		641,2	72,0	12,9	436,9	337,7	238,3	854,1	401,6
1709		645,7	71,8	12,7	435,2	336,1	238,0	860,9	401,3
1710		644,3	72,2	12,5	433,3	335,5	237,8	865,9	401,3
1711		646,9	72,4	12,2	432,3	334,8	237,6	872,4	401,3
1712		654,4	72,6	12,0	430,9	334,6	237,3	881,0	401,5
1713		661,8	72,3	11,8	429,9	334,6	236,8	890,0	401,6
1714		669,8	72,4	11,6	428,7	334,1	236,3	898,3	402,0
1715		675,3	72,4	11,4	428,3	335,2	235,7	906,3	402,2
1716		680,0	73,3	11,2	428,2	335,8	235,6	913,5	403,1
1717		681,8	73,2	10,9	427,8	336,5	235,0	919,4	403,7
1718		685,0	73,1	10,7	427,8	337,5	234,7	924,2	404,8
1719		686,6	72,5	10,5	427,9	338,9	234,3	928,2	405,5
1720		687,5	73,4	10,3	428,0	339,7	233,6	931,0	406,6
1721		685,3	72,9	10,1	428,3	340,9	233,2	933,8	407,7
1722		682,4	73,3	9,9	428,6	341,9	232,8	937,2	408,9
1723		680,8	73,4	9,7	429,4	343,6	232,1	939,3	409,7
1724		679,8	73,0	9,4	429,9	344,5	231,5	941,8	411,0
1725		678,9	74,1	9,2	430,6	346,7	231,1	943,1	411,8
1726		678,1	73,1	9,0	431,6	349,1	230,6	947,0	413,0
1727		678,1	74,9	8,8	432,4	351,0	230,2	949,4	414,3
1728		677,3	74,2	8,6	433,5	352,2	229,5	950,3	415,5
1729		676,4	74,6	8,4	434,2	354,2	228,7	951,7	416,7
1730		677,6	74,3	8,2	435,4	355,8	228,2	951,3	418,0
1731		676,3	74,6	8,0	436,5	357,0	227,7	950,7	419,3
1732		675,0	74,5	7,9	437,4	359,4	227,1	950,7	421,0
1733		672,2	74,3	7,7	438,0	361,6	226,8	950,1	422,5
1734		669,6	74,2	7,5	438,9	363,4	225,9	947,1	424,1
1735		667,4	73,7	7,3	439,4	365,7	225,3	945,3	425,5
1736		665,2	74,3	7,1	440,3	367,4	225,0	943,4	427,2
1737		663,7	74,9	7,0	440,9	369,6	224,6	941,1	428,8
1738		660,2	73,2	6,8	442,0	370,5	223,7	938,0	430,4
1739		655,7	73,9	6,6	442,8	373,6	223,0	932,7	431,7
1740		649,4	74,3	6,5	443,9	375,8	223,1	928,2	433,5
1741		645,0	74,1	6,3	444,8	377,4	222,5	925,3	435,0
1742		639,0	74,0	6,2	445,8	379,2	222,4	921,4	436,3
1743		635,8	73,5	6,0	446,6	380,9	222,1	918,4	437,9
1744		632,3	74,4	5,9	447,5	382,3	221,6	915,3	439,2
1745		627,4	75,1	5,8	448,3	384,8	220,9	911,3	440,5
1746		622,0	75,2	5,6	449,1	386,4	221,0	905,8	441,8
1747		614,8	73,8	5,5	450,1	388,4	220,7	893,8	443,2
1748		602,1	73,8	5,4	451,2	388,9	220,5	874,7	444,3
1749		587,9	73,6	5,4	452,0	389,8	220,1	855,5	445,2
1750		575,4	74,6	5,3	452,9	390,5	220,1	837,6	446,4
1751		563,9	73,9	5,2	453,2	390,4	219,9	821,4	447,3
1752		554,2	73,5	5,1	453,7	389,9	219,6	807,3	447,8
1753		545,2	73,3	5,0	453,8	390,4	219,3	799,2	448,2
1754		539,9	73,2	5,0	453,7	389,9	219,2	791,7	448,6
1755		535,7	73,4	4,9	453,6	390,3	219,2	784,0	449,0
1756		531,9	73,4	4,8	453,7	389,6	218,8	778,9	449,3
1757		528,0	73,2	4,8	453,4	390,3	218,7	775,5	449,4
1758		527,0	73,1	4,7	453,1	389,1	218,8	775,0	449,7
1759		526,4	73,2	4,6	453,0	389,5	218,5	775,4	449,9
1760		524,2	72,5	4,5	452,8	389,4	218,3	764,9	450,1
1761		516,1	73,0	4,5	452,1	389,8	218,5	751,2	450,2
1762		508,2	72,5	4,4	452,1	390,4	218,2	735,1	450,1
1763		497,5	72,3	4,4	451,4	390,8	218,1	714,9	449,7
1764		483,8	72,1	4,4	450,5	390,4	217,7	694,6	449,1



1765		470,1	72,4	4,4	449,7	388,8	218,3	674,5	448,3
1766		455,2	72,3	4,3	448,8	388,8	218,5	655,4	446,7
1767		440,4	72,4	4,3	447,5	387,2	218,7	637,0	445,1
1768		428,6	71,9	4,3	445,7	385,4	218,8	619,9	443,0
1769		417,4	71,5	4,3	443,9	382,8	218,7	604,3	440,2
1770		407,9	71,6	4,3	442,0	381,1	218,6	590,1	437,8
1771		400,2	70,9	4,3	440,5	378,7	218,7	577,3	434,9
1772		392,3	71,5	4,3	438,9	375,4	218,9	565,7	432,0
1773		386,1	70,8	4,3	437,4	372,5	218,7	555,2	429,3
1774		379,6	71,2	4,2	435,6	369,8	218,6	545,4	426,7
1775		374,5	70,8	4,2	434,0	367,9	219,1	537,1	424,1
1776		370,4	71,3	4,2	432,6	365,3	218,6	529,6	421,6
1777		366,3	70,8	4,2	431,0	363,5	218,9	522,7	419,5
1778		362,1	70,4	4,2	429,4	360,7	219,2	516,6	417,3
1779		358,5	70,8	4,2	427,9	358,1	219,0	510,8	415,4
1780		354,9	70,9	4,2	426,5	356,3	218,3	505,7	413,3
1781		351,9	70,6	4,2	425,4	355,4	218,4	501,5	411,6
1782		349,6	70,5	4,2	424,2	353,4	218,1	497,7	409,7
1783		346,9	70,4	4,1	423,0	352,9	218,7	494,0	407,9
1784		343,7	70,7	4,1	421,9	351,2	218,4	489,9	406,5
1785		340,6	70,0	4,1	420,8	349,7	218,3	485,9	405,3
1786		337,9	70,7	4,1	420,0	347,8	218,1	481,8	403,8
1787		335,2	70,0	4,1	419,0	346,3	218,0	477,8	402,3
1788		332,7	70,4	4,1	418,0	345,3	218,2	473,6	401,2
1789		329,7	69,5	4,1	416,9	344,0	217,9	469,9	399,9
1790		327,2	70,7	4,1	415,8	343,0	217,8	466,2	399,0
1791	High setting	473,8	71,1	15,2	303,6	305,1	109,2	581,7	323,2
1792	20-21-23-23	473,2	70,9	16,0	310,5	306,1	112,7	557,0	331,6
1793	4 pieces	444,6	70,9	15,3	312,8	301,0	116,7	530,6	337,5
1794		449,6	70,6	15,2	314,6	293,3	120,3	514,1	340,6
1795		443,4	70,6	15,1	313,5	284,9	124,7	503,8	341,9
1796		474,5	70,4	14,9	312,5	276,9	128,3	509,1	341,0
1797		450,5	70,5	14,8	310,3	269,8	131,7	500,8	339,9
1798		508,0	70,5	14,7	307,6	263,7	134,4	515,7	337,7
1799		556,4	70,5	14,6	303,9	258,4	136,8	541,2	335,4
1800		600,0	70,7	14,4	301,2	250,9	138,5	574,5	332,7
1801		615,9	70,6	14,3	299,1	219,2	140,7	600,6	330,1
1802		622,9	70,9	14,1	297,5	205,1	142,3	618,0	327,6
1803		667,4	71,0	13,9	297,8	195,8	143,7	651,0	325,9
1804		688,6	70,7	13,6	298,7	188,8	144,9	683,8	325,5
1805		685,3	70,9	13,5	300,5	185,0	146,0	704,6	327,0
1806		679,9	71,2	13,3	302,8	182,6	146,9	714,7	329,3
1807		676,9	71,3	13,1	306,2	181,4	147,7	720,6	332,1
1808		672,6	71,5	12,9	309,0	179,7	148,6	724,0	335,3
1809		670,4	71,5	12,7	312,0	179,4	149,4	726,0	339,0
1810		667,7	71,3	12,5	315,3	178,7	150,1	727,6	342,8
1811		662,5	71,3	12,4	318,2	178,7	150,8	727,8	346,9
1812		656,0	71,5	12,1	321,0	177,9	151,4	725,5	351,0
1813		653,9	71,7	12,0	324,8	177,5	152,1	722,5	355,3
1814		649,5	71,7	11,8	327,6	177,7	153,0	717,7	358,8
1815		646,4	71,6	11,6	330,5	178,3	153,9	713,5	361,8
1816		642,7	71,6	11,5	333,3	178,6	154,6	708,5	365,3
1817		642,1	71,7	11,3	336,3	178,0	155,6	703,9	367,4
1818		642,9	71,7	11,2	338,3	178,4	156,5	701,8	369,8
1819		642,8	71,5	11,0	341,7	178,0	157,3	700,3	372,1
1820		644,4	71,9	10,8	343,9	177,8	158,5	699,3	373,6
1821		644,3	71,7	10,7	344,6	178,4	159,7	699,9	375,4
1822		641,2	71,7	10,5	346,2	178,3	160,6	698,3	377,7
1823		635,6	71,9	10,3	347,3	179,8	161,6	695,8	381,3
1824		622,1	72,1	10,2	349,6	179,9	163,2	689,2	383,6
1825		610,2	71,9	10,1	351,4	180,0	164,7	678,9	385,2
1826		600,0	71,9	10,0	352,8	180,6	166,3	668,6	387,4
1827		592,2	72,0	9,8	354,0	180,8	168,0	659,0	389,4
1828		588,8	72,0	9,7	353,9	180,5	169,5	650,0	391,8
1829		585,9	71,8	9,5	355,4	180,4	170,9	643,8	393,9
1830		581,5	71,9	9,4	355,3	181,2	172,6	638,6	395,7
1831		598,8	72,0	9,3	357,7	181,7	174,0	637,6	398,5
1832		621,7	72,0	9,1	360,4	182,7	175,3	645,6	400,7
1833		639,2	72,1	8,9	363,8	183,4	176,5	660,3	403,2
1834		657,0	72,2	8,7	365,4	185,1	177,8	677,6	407,6
1835		666,2	72,2	8,5	367,5	187,4	179,7	692,7	411,5
1836		671,1	72,1	8,4	370,0	189,9	181,2	705,0	415,6
1837		665,3	71,8	8,2	373,0	194,1	183,0	714,4	420,3
1838		652,3	72,0	8,1	375,9	198,2	185,2	715,6	425,2
1839		645,5	72,2	7,9	380,0	201,6	187,9	715,2	429,7
1840		645,3	72,7	7,7	380,2	206,0	190,6	714,2	432,7
1841		645,1	72,3	7,6	380,4	209,1	193,4	713,2	435,7
1842		641,3	72,6	7,4	382,9	212,8	196,6	710,7	439,5
1843		637,6	72,3	7,3	383,1	217,1	199,7	709,5	442,3
1844		636,9	72,7	7,2	382,6	219,0	203,5	707,3	444,4
1845		638,9	72,7	7,0	381,6	221,1	207,9	706,9	446,1
1846		642,4	72,6	6,9	383,2	224,0	211,8	706,8	448,1
1847		644,3	72,5	6,7	381,5	226,4	216,0	708,9	450,7
1848		645,1	72,4	6,6	382,8	228,0	220,6	710,3	450,7
1849		647,2	72,4	6,4	383,8	231,4	224,6	712,1	451,3
1850		650,0	72,2	6,3	385,4	232,7	229,2	714,9	451,9
1851		650,9	72,5	6,1	386,2	235,1	233,8	717,0	453,4
1852		658,0	72,5	6,0	387,5	237,4	238,3	721,3	454,8
1853		662,5	72,9	5,9	389,1	241,1	242,7	725,4	455,9
1854		666,5	72,6	5,7	391,0	245,7	247,2	730,5	457,4
1855		668,5	72,4	5,6	392,3	252,2	251,3	733,8	459,2
1856		670,2	72,6	5,4	391,9	256,2	256,3	738,3	463,2
1857		670,3	72,9	5,3	392,7	264,2	260,8	740,1	466,6

1858		675,2	72,7	5,1	394,3	269,4	265,8	745,8	469,3
1859		675,5	72,7	5,0	395,6	275,9	270,1	752,2	472,5
1860		671,7	72,9	4,8	396,7	281,0	275,4	756,0	475,4
1861		672,3	72,4	4,7	397,7	285,7	280,3	759,2	478,0
1862		671,4	72,6	4,6	400,0	291,1	285,6	761,3	480,3
1863		670,3	72,8	4,5	401,0	295,1	291,3	761,8	482,3
1864		670,0	72,8	4,3	403,4	298,1	297,0	762,2	484,0
1865		667,4	73,0	4,2	404,4	302,1	302,9	762,3	485,4
1866		662,9	72,5	4,1	409,1	307,2	308,3	761,8	486,8
1867		660,6	72,8	3,9	411,0	312,3	314,0	756,8	486,5
1868		660,6	72,8	3,8	417,5	319,9	318,7	754,8	488,5
1869		655,0	72,7	3,7	417,9	324,2	325,3	751,6	488,4
1870		649,1	72,9	3,6	419,4	330,6	330,9	747,1	489,9
1871		641,9	72,9	3,5	423,1	338,8	336,4	745,0	489,6
1872		633,3	73,0	3,4	428,7	345,9	341,9	739,6	489,4
1873		622,2	72,8	3,2	430,2	353,3	347,4	731,0	490,7
1874		618,5	72,8	3,2	444,7	403,9	352,9	725,1	493,3
1875		615,3	72,9	3,1	452,6	434,0	358,1	720,8	495,9
1876		612,9	73,0	3,0	458,8	458,7	362,7	717,0	497,4
1877		614,6	72,8	2,8	464,6	479,2	367,7	716,2	499,1
1878		612,0	73,1	2,7	469,5	496,8	371,6	714,1	500,5
1879		603,3	72,8	2,7	474,4	510,4	374,8	708,1	502,9
1880		591,3	73,1	2,6	478,4	521,4	378,8	696,9	503,9
1881		580,0	73,0	2,5	481,5	528,6	384,7	682,4	506,1
1882		566,3	72,6	2,5	484,3	534,7	389,1	667,4	507,5
1883		557,7	72,9	2,4	486,7	539,2	393,8	654,5	507,9
1884		551,4	73,0	2,4	488,5	542,5	398,9	642,9	509,3
1885		548,3	72,4	2,3	489,6	543,3	402,9	631,9	510,2
1886		513,6	72,3	2,2	490,9	543,9	411,4	613,1	511,2
1887		525,8	72,6	2,2	491,4	543,5	415,6	605,9	512,5
1888		517,4	72,5	2,2	492,1	540,7	420,4	596,6	513,0
1889		515,2	72,1	2,1	492,3	536,3	424,8	589,1	514,0
1890		509,0	72,6	2,1	492,6	531,1	426,6	581,9	514,3
1891		501,3	72,6	2,0	492,7	526,8	428,1	574,1	514,2
1892		495,9	72,5	2,0	492,7	522,9	428,5	566,1	513,7
1893		491,7	72,3	2,0	492,7	518,7	428,3	560,1	512,2
1894		485,1	72,4	2,0	492,6	514,8	426,3	553,3	511,1
1895		481,1	72,3	1,9	492,4	510,6	426,3	546,0	509,8
1896		475,6	72,5	1,9	491,2	507,5	423,3	539,9	508,5
1897	low setting	346,6	72,3	16,3	485,2	504,3	430,8	513,9	505,2
1898	20-19-21-20-21	469,6	71,8	16,1	478,5	495,0	427,1	517,0	499,3
1899	5 pieces	539,2	72,0	15,9	476,8	481,3	423,4	537,0	495,7
1900		674,4	72,4	15,7	468,7	466,1	420,3	588,0	488,7
1901		771,4	72,3	15,4	461,5	451,0	416,1	659,4	482,3
1902		846,2	72,8	15,1	455,0	437,0	411,5	738,4	476,8
1903		810,4	72,7	14,9	450,0	424,9	408,1	797,2	471,4
1904		790,3	73,1	14,6	445,4	413,4	406,5	831,8	468,1
1905		805,5	73,2	14,4	441,4	403,8	405,4	862,8	463,9
1906		759,7	73,4	14,1	437,7	393,9	405,1	877,9	460,2
1907		688,2	73,5	13,9	434,3	380,9	406,0	864,7	459,3
1908		650,6	73,5	13,7	430,6	370,0	403,9	846,3	456,2
1909		627,8	73,4	13,6	427,8	361,2	402,0	830,8	453,3
1910		612,0	73,3	13,4	424,2	353,5	398,5	817,5	450,8
1911		601,8	73,3	13,2	419,9	346,6	396,1	806,6	450,1
1912		592,7	73,2	13,0	416,9	340,0	394,8	796,6	448,5
1913		584,6	73,2	12,9	413,7	334,3	392,8	787,6	446,5
1914		579,0	73,5	12,7	411,9	329,7	389,7	778,3	443,4
1915		571,8	73,2	12,6	408,6	325,2	386,4	769,5	441,8
1916		566,3	73,4	12,4	406,1	321,8	381,6	760,9	439,7
1917		559,0	73,1	12,3	403,6	318,0	381,7	751,3	438,0
1918		553,2	73,4	12,1	401,8	314,5	380,8	743,5	437,6
1919		550,7	73,1	12,0	401,0	311,3	376,2	738,0	435,2
1920		546,8	73,3	11,9	400,0	308,4	373,0	733,9	432,4
1921		546,8	73,1	11,7	399,5	306,0	368,8	732,0	430,1
1922		544,1	73,3	11,6	398,7	303,4	364,8	731,6	428,4
1923		541,7	73,4	11,4	399,2	300,7	362,9	729,4	426,7
1924		540,7	73,4	11,3	398,9	298,7	358,6	726,3	424,9
1925		533,9	73,3	11,2	398,5	296,5	355,9	721,7	423,5
1926		522,1	73,1	11,1	398,3	294,7	351,5	712,5	422,6
1927		510,7	73,2	10,9	398,4	292,8	348,4	699,1	421,9
1928		508,5	73,2	10,8	398,4	291,0	345,4	689,9	420,5
1929		507,3	73,2	10,7	398,1	289,3	342,9	685,2	419,2
1930		501,5	73,1	10,6	396,7	287,5	340,3	679,4	417,9
1931		500,9	73,1	10,5	395,8	285,6	337,5	674,9	416,7
1932		500,8	73,1	10,4	394,8	284,0	336,2	672,3	416,3
1933		496,3	72,7	10,3	394,5	282,1	335,7	669,6	416,5
1934		490,9	73,2	10,2	394,7	280,1	333,1	664,3	416,8
1935		488,0	72,9	10,1	394,4	278,7	330,6	659,5	417,2
1936		486,7	73,1	10,0	394,8	277,4	328,2	655,8	416,3
1937		484,2	73,1	9,9	395,2	276,1	324,0	652,4	415,3
1938		481,9	72,9	9,8	395,8	274,4	322,3	649,0	414,7
1939		480,1	72,7	9,7	394,3	273,1	318,7	646,6	413,9
1940		478,7	72,9	9,6	394,0	271,8	316,1	645,0	413,9
1941		480,2	73,0	9,5	393,3	270,9	312,9	644,1	413,5
1942		480,9	73,0	9,3	391,8	269,5	312,0	643,4	414,2
1943		481,2	72,8	9,2	391,0	268,6	309,3	644,5	414,7
1944		485,1	72,9	9,1	389,7	267,5	307,3	647,3	415,8
1945		489,6	72,9	9,0	389,1	266,4	304,9	652,6	416,5
1946		492,5	73,0	8,9	388,5	265,3	303,5	656,8	417,4
1947		494,0	72,7	8,8	387,4	264,5	301,6	660,1	418,4
1948		495,2	72,9	8,7	387,1	263,5	299,6	664,7	420,0
1949		494,2	73,0	8,6	386,7	263,4	297,9	673,7	422,3
1950		484,6	72,9	8,5	387,1	262,4	297,6	674,3	423,8

1951	471,6	72,8	8,4	388,0	262,1	295,9	667,5	425,0
1952	454,5	72,4	8,4	387,2	262,4	292,3	657,3	426,6
1953	435,2	72,8	8,3	387,7	262,9	291,5	639,9	428,3
1954	413,3	72,7	8,2	387,5	262,9	290,0	617,9	429,1
1955	397,2	72,7	8,2	386,6	263,2	287,6	596,6	428,2
1956	383,8	72,5	8,1	385,5	263,2	286,8	577,2	426,8
1957	373,2	72,3	8,1	382,8	262,9	285,6	559,7	425,3
1958	362,4	72,4	8,0	380,3	262,9	283,4	544,8	423,8
1959	353,9	72,3	8,0	377,7	261,7	282,5	530,4	421,6
1960	350,5	72,3	7,9	374,2	260,3	280,1	520,5	417,8
1961	348,2	71,5	7,9	371,8	258,9	280,1	512,3	414,9
1962	348,3	72,0	7,8	369,9	257,4	278,6	506,5	412,3
1963	350,7	72,1	7,8	367,8	255,4	277,6	501,9	409,3
1964	349,4	72,1	7,7	364,8	254,1	275,5	498,0	405,7
1965	352,8	72,1	7,7	362,6	252,4	273,9	494,7	402,9
1966	355,2	72,1	7,6	360,0	251,7	272,3	492,5	400,3
1967	358,4	72,1	7,6	358,9	250,4	271,1	491,5	398,5
1968	359,8	72,1	7,5	356,9	249,3	269,9	490,3	396,7
1969	360,1	72,0	7,4	354,9	248,4	268,0	489,9	395,2
1970	358,0	72,1	7,4	354,3	247,4	266,6	488,6	393,7
1971	356,3	71,8	7,3	355,0	246,8	265,7	487,4	392,9
1972	354,1	72,2	7,3	354,7	246,2	264,6	485,9	391,7
1973	353,5	72,1	7,2	353,1	245,9	263,4	484,4	390,6
1974	355,2	72,0	7,2	352,0	245,5	263,3	483,4	390,1
1975	355,6	71,9	7,1	351,4	245,3	262,4	482,6	389,1
1976	354,3	72,0	7,0	351,4	244,8	259,4	482,3	387,5
1977	354,5	72,0	7,0	350,9	244,1	257,9	482,6	386,0
1978	355,3	72,0	6,9	351,0	243,7	257,2	483,4	385,0
1979	357,9	71,9	6,9	351,7	243,4	255,6	485,3	383,2
1980	362,1	71,7	6,8	351,4	243,0	255,4	487,5	381,8
1981	363,0	71,7	6,7	351,8	242,3	253,3	490,5	381,3
1982	365,1	72,0	6,7	352,4	241,6	253,9	492,2	380,5
1983	368,5	71,7	6,6	353,0	241,4	253,0	494,8	379,8
1984	369,8	72,0	6,6	353,5	240,8	252,1	497,0	379,7
1985	367,6	72,0	6,5	355,4	240,1	250,8	498,5	378,3
1986	367,0	72,1	6,5	356,1	240,6	248,6	498,5	378,2
1987	363,3	72,1	6,4	357,7	240,3	249,5	496,7	377,7
1988	358,4	72,1	6,4	358,6	239,9	248,5	492,6	377,2
1989	353,3	71,9	6,3	360,0	239,7	247,6	487,9	376,1
1990	348,8	71,9	6,2	359,4	239,4	246,5	482,1	375,1
1991	344,2	71,9	6,2	359,5	239,3	245,5	476,5	374,6
1992	341,4	71,9	6,1	360,4	238,7	245,2	471,1	373,5
1993	337,5	71,8	6,1	360,8	238,0	244,9	466,1	372,7
1994	334,5	71,7	6,1	361,8	237,3	244,4	461,1	372,1
1995	330,9	71,8	6,0	360,5	237,1	243,9	456,8	371,4
1996	329,1	71,7	6,0	360,1	236,1	243,4	453,2	370,6
1997	324,9	71,9	5,9	358,6	235,8	243,4	449,3	369,8
1998	323,8	71,7	5,9	358,4	235,0	243,0	446,2	369,5
1999	321,4	71,7	5,8	357,3	234,0	241,9	442,9	368,9
2000	316,9	71,7	5,8	357,2	233,3	240,1	440,3	367,8
2001	320,7	71,8	5,7	358,1	232,5	240,3	438,6	366,9
2002	306,6	71,7	5,7	356,1	231,4	240,3	433,6	365,9
2003	295,2	71,4	5,7	354,1	230,7	240,5	426,5	365,1
2004	288,6	71,6	5,6	352,8	229,6	239,9	420,1	363,7
2005	284,6	71,7	5,5	350,0	229,1	238,7	413,7	362,5
2006	285,6	71,6	5,5	347,8	227,9	239,5	409,6	361,5
2007	279,3	71,7	5,5	345,9	226,7	239,5	403,8	360,6
2008	275,0	71,6	5,4	344,0	225,7	239,3	398,1	359,5
2009	270,1	71,6	5,4	339,8	224,9	238,8	393,1	358,7
2010	270,7	71,6	5,3	337,1	223,9	239,5	389,1	357,1
2011	274,1	71,6	5,3	334,1	223,0	240,4	387,6	355,8
2012	271,7	71,6	5,2	332,2	221,8	240,0	385,2	355,0
2013	269,5	71,7	5,1	331,1	220,9	240,3	382,9	354,4
2014	274,8	71,6	5,1	328,0	220,2	240,9	381,4	353,4
2015	281,0	71,6	5,1	327,2	219,6	240,9	382,0	352,7
2016	278,3	71,5	5,0	324,7	219,2	241,3	381,9	352,7
2017	272,5	71,7	5,0	323,4	219,4	241,4	379,2	352,6
2018	266,2	71,5	4,9	322,1	219,0	240,8	375,3	351,8
2019	262,5	71,5	4,9	320,3	219,1	240,0	371,4	350,9
2020	258,8	71,5	4,9	318,8	218,3	241,2	367,9	349,7
2021	256,8	71,4	4,8	317,2	217,8	240,6	364,3	349,3
2022	253,3	71,6	4,8	314,9	217,7	240,7	360,8	348,3
2023	251,6	71,6	4,7	315,7	216,7	241,7	357,7	348,4
2024	250,6	71,6	4,7	314,8	215,8	243,3	354,6	348,6
2025	248,3	71,3	4,6	312,8	215,8	242,9	351,7	347,5
2026	246,8	71,5	4,6	311,2	215,4	242,5	349,0	346,0
2027	245,9	71,3	4,5	309,0	215,2	242,3	346,7	344,5
2028	244,7	71,6	4,5	308,2	215,0	243,0	344,3	343,6
2029	243,3	70,8	4,4	306,5	215,2	243,3	342,8	343,0
2030	242,8	71,3	4,4	305,8	214,4	244,5	340,8	343,1
2031	241,7	71,2	4,3	304,2	214,8	244,1	338,9	341,4
2032	240,4	71,5	4,3	303,3	215,0	244,6	336,9	340,6
2033	238,7	71,6	4,3	300,8	215,6	245,5	335,4	340,1
2034	237,6	71,3	4,2	299,4	215,5	245,3	333,3	339,8
2035	237,2	71,5	4,2	298,8	215,0	246,2	331,8	339,2
2036	240,7	71,6	4,2	298,6	214,9	247,3	328,8	338,3
2037	246,1	71,8	4,1	297,6	215,0	248,2	331,5	338,0
2038	251,3	71,5	4,1	297,5	215,7	248,7	334,8	338,3
2039	254,5	71,4	4,0	297,6	216,7	247,8	337,8	337,6
2040	257,1	71,5	4,0	298,9	217,5	247,4	341,2	337,2
2041	259,7	71,4	3,9	298,8	218,9	247,9	345,0	337,9
2042	262,1	71,3	3,9	298,7	219,5	248,3	348,6	338,4
2043	261,5	71,4	3,8	301,3	219,4	248,6	350,9	339,3

2044	263,9	71,4	3,8	302,9	219,6	249,1	353,9	341,0
2045	270,6	71,5	3,8	302,7	221,0	248,4	357,7	341,5
2046	272,4	71,5	3,7	307,1	221,7	247,6	360,8	342,6
2047	277,2	71,4	3,7	309,5	222,0	248,0	365,0	344,2
2048	280,9	71,5	3,6	311,6	222,9	247,9	369,3	345,0
2049	284,0	71,5	3,5	314,4	223,2	248,6	373,3	346,0
2050	289,2	71,4	3,5	315,6	223,9	248,0	378,5	347,2
2051	293,5	71,5	3,5	318,2	224,5	248,0	383,6	349,4
2052	299,4	71,6	3,4	321,3	226,0	248,1	389,2	350,7
2053	305,9	71,6	3,4	323,0	227,1	247,9	395,8	352,7
2054	309,5	71,6	3,3	324,8	229,0	247,5	402,1	354,9
2055	313,5	71,8	3,2	326,3	230,5	247,3	409,4	357,2
2056	317,5	71,5	3,2	327,4	233,2	247,2	417,0	359,1
2057	320,4	71,8	3,1	328,6	235,3	247,2	422,9	361,1
2058	321,4	71,6	3,1	328,6	238,5	247,4	427,2	363,9
2059	323,5	71,9	3,1	331,0	240,8	247,1	431,9	366,5
2060	322,4	71,5	3,1	332,7	243,0	246,9	434,5	368,3
2061	318,0	71,8	3,0	333,3	244,5	247,1	433,8	371,6
2062	310,6	71,7	3,0	332,7	246,0	246,8	429,8	374,1
2063	304,2	71,8	3,0	333,3	246,6	247,1	424,9	377,4
2064	293,9	71,6	2,9	332,6	247,1	247,1	418,4	379,5
2065	288,1	71,7	2,9	331,8	247,0	247,4	412,0	381,0
2066	283,2	71,8	2,8	331,3	246,8	248,1	405,3	383,1
2067	279,2	71,5	2,8	331,9	246,5	247,1	399,9	382,9
2068	275,6	71,5	2,8	330,9	246,0	246,9	395,7	382,2
2069	272,9	71,5	2,7	330,8	245,0	247,2	391,1	382,0
2070	270,0	71,4	2,7	329,7	244,6	247,3	387,0	380,9
2071	268,2	71,7	2,7	327,9	244,7	247,2	383,4	380,2
2072	265,8	71,4	2,6	327,9	243,9	248,0	380,1	378,8
2073	263,9	71,6	2,7	327,7	243,6	247,5	376,3	378,0
2074	262,2	71,6	2,6	326,5	242,8	247,6	373,4	376,9
2075	259,9	71,6	2,6	326,1	242,4	247,3	370,7	374,8
2076	258,3	71,5	2,6	326,1	241,8	247,5	367,8	373,4
2077	254,9	71,5	2,6	325,4	241,2	247,3	365,0	371,7
2078	253,8	71,6	2,5	324,8	240,5	247,6	362,5	369,3
2079	250,4	71,4	2,5	323,9	240,1	247,0	359,7	367,7
2080	249,8	71,6	2,5	323,7	239,8	248,0	357,0	366,3
2081	248,5	71,5	2,5	323,4	239,6	248,2	354,6	365,0
2082	247,0	71,5	2,4	322,3	239,0	247,5	352,2	362,7
2083	246,1	71,5	2,4	320,9	238,6	247,5	350,0	360,9
2084	243,3	71,5	2,4	320,0	238,7	247,1	347,9	360,4
2085	242,4	71,7	2,4	320,7	238,0	247,5	345,2	359,0
2086	241,6	71,6	2,4	318,1	238,4	248,7	343,3	358,3
2087	241,1	71,7	2,4	317,7	238,0	249,0	341,5	358,0
2088	239,9	71,4	2,4	316,5	237,0	248,5	339,6	356,1
2089	239,6	71,4	2,3	315,7	236,3	249,0	338,1	353,6
2090	238,5	71,6	2,3	314,8	236,2	248,9	336,5	352,6
2091	237,7	71,6	2,3	314,2	236,0	248,7	335,0	351,0
2092	237,2	71,5	2,2	313,8	235,6	248,6	334,1	349,0
2093	235,8	71,4	2,2	313,3	236,0	248,1	333,0	346,3
2094	235,2	71,6	2,3	312,6	236,2	247,9	330,8	345,3
2095	234,3	71,7	2,2	312,1	235,7	248,5	328,4	344,6
2096	233,4	71,7	2,2	311,9	235,7	248,2	326,4	343,5
2097	231,7	71,6	2,2	309,9	236,3	248,3	324,9	341,6
2098	230,8	71,7	2,2	310,5	235,5	249,0	323,3	341,2
2099	230,1	71,7	2,2	309,8	235,5	249,1	321,9	340,2
2100	229,7	71,6	2,2	309,3	235,9	248,5	320,8	339,0
2101	228,1	71,6	2,1	309,5	236,7	248,6	319,8	337,7
2102	227,2	71,5	2,1	309,3	236,0	249,0	318,6	337,1
2103	226,8	71,7	2,1	309,4	235,4	249,0	317,1	335,4
2104	225,8	71,7	2,1	309,1	235,4	248,6	315,9	333,5
2105	224,8	71,6	2,1	308,4	236,6	248,8	314,4	333,1
2106	223,7	71,7	2,1	308,1	236,3	248,5	312,8	332,5
2107	223,4	71,8	2,1	309,0	235,6	249,3	311,9	330,7
2108	222,4	71,7	2,0	307,5	236,4	249,0	310,9	330,4
2109	221,9	71,8	2,0	307,8	236,5	249,4	309,7	329,8
2110	221,9	71,7	2,0	306,7	237,6	248,8	308,9	328,1
2111	221,9	71,5	2,0	308,0	238,0	248,9	308,2	327,1
2112	221,6	71,7	2,0	306,0	238,9	248,9	307,4	326,5
2113	221,0	71,7	1,9	306,4	239,5	249,2	306,8	325,4
2114	220,6	71,5	1,9	304,9	240,7	249,1	306,4	324,7
2115	220,4	71,5	1,9	305,1	241,3	249,0	306,0	322,8
2116	220,8	71,5	1,9	303,5	242,4	248,8	305,4	322,2
2117	220,8	71,6	1,9	304,8	243,0	248,9	304,7	320,8
2118	220,2	71,6	1,8	305,1	243,3	248,9	303,9	320,5
2119	219,0	71,7	1,9	304,3	244,4	249,1	303,7	320,1
2120	219,4	71,6	1,8	304,5	245,0	248,7	303,2	319,5
2121	219,0	71,6	1,8	305,6	245,4	249,1	303,0	318,1
2122	219,3	71,4	1,8	304,6	246,4	249,1	302,6	317,7
2123	219,3	71,4	1,8	304,1	247,1	248,3	302,4	316,4
2124	218,7	71,6	1,8	305,1	247,8	248,7	301,8	315,8
2125	218,2	71,8	1,7	306,5	248,4	249,8	301,2	315,7
2126	217,9	71,8	1,7	304,7	249,3	248,5	300,7	314,6
2127	218,1	71,5	1,7	303,4	250,4	248,6	300,9	314,4
2128	217,9	71,4	1,7	302,7	252,1	249,1	300,9	313,3
2129	217,9	71,5	1,7	303,3	252,9	249,3	300,7	312,2
2130	217,8	71,6	1,7	303,5	254,5	248,8	300,4	310,9
2131	217,2	71,5	1,6	303,5	255,7	249,4	300,3	309,8
2132	217,4	71,5	1,6	303,1	257,1	249,0	300,3	308,7
2133	217,4	71,5	1,6	303,1	258,2	249,0	300,3	307,9
2134	217,3	71,6	1,6	303,1	259,3	249,6	300,6	307,5
2135	217,1	71,6	1,6	302,0	260,5	249,5	300,8	307,1
2136	217,4	71,5	1,6	302,0	261,9	249,6	301,1	306,8



2137	218,4	71,5	1,5	301,3	263,2	249,8	301,1	305,7
2138	218,0	71,6	1,6	301,3	264,2	250,2	301,3	305,3
2139	218,9	71,6	1,5	301,2	265,8	249,9	301,1	304,6
2140	218,1	71,6	1,5	300,6	267,6	250,6	301,0	305,2
2141	218,0	71,6	1,5	300,2	269,6	250,4	300,7	304,8
2142	218,6	71,5	1,5	299,6	271,2	250,2	300,4	304,7
2143	219,2	71,6	1,4	299,0	273,4	250,6	300,4	303,9
2144	219,3	71,7	1,4	298,7	275,9	250,2	300,4	303,5
2145	218,7	71,7	1,4	297,9	278,2	251,1	300,4	302,7
2146	218,9	71,8	1,4	298,5	280,8	251,0	300,1	303,7
2147	218,8	71,9	1,4	298,1	283,4	251,2	300,3	303,6
2148	218,5	71,6	1,3	295,9	286,5	252,1	300,0	303,9
2149	218,8	71,7	1,4	295,2	289,0	252,2	299,7	303,7
2150	218,7	71,5	1,3	294,6	291,4	252,6	299,4	303,6
2151	219,1	71,5	1,3	294,6	294,0	252,5	299,3	303,6
2152	218,6	71,6	1,3	293,5	296,2	254,2	298,8	302,8
2153	218,0	71,6	1,3	293,1	298,9	253,7	298,4	301,9
2154	218,5	71,7	1,2	292,5	301,8	254,2	297,9	302,0
2155	218,6	71,7	1,2	292,4	304,2	254,3	297,6	302,7
2156	218,4	71,6	1,2	292,2	306,4	254,5	297,2	302,0
2157	219,1	71,6	1,2	291,6	308,7	255,8	296,7	301,8
2158	219,7	71,6	1,2	292,1	311,6	255,6	296,6	302,0
2159	218,4	71,6	1,1	291,6	314,0	255,9	296,5	301,3
2160	219,4	71,7	1,1	291,3	315,9	256,0	296,2	300,2
2161	218,9	71,8	1,1	291,0	318,6	256,9	295,9	300,1
2162	218,1	71,8	1,1	291,7	320,0	256,8	295,4	299,2
2163	217,6	71,8	1,1	292,0	322,2	257,2	295,1	300,5
2164	217,5	71,9	1,0	291,8	323,7	257,7	294,4	300,6
2165	217,1	71,7	1,0	291,4	325,8	258,6	293,7	299,8
2166	215,8	71,9	1,0	291,2	328,0	259,3	293,1	300,4
2167	215,7	71,6	1,0	290,6	329,9	260,1	292,6	299,7
2168	215,3	71,7	1,0	290,6	331,5	259,9	292,0	300,3
2169	214,6	71,6	1,0	290,2	332,5	260,3	291,1	299,8
2170	213,9	71,6	1,0	289,9	334,3	260,4	290,2	299,6
2171	213,1	71,8	1,0	290,3	333,7	261,4	289,3	299,9
2172	213,0	71,9	0,9	290,0	332,1	261,7	288,4	299,1
2173	212,6	71,8	1,0	289,3	331,5	261,8	287,6	298,1
2174	212,4	71,6	0,9	288,8	331,0	261,4	287,2	296,4
2175	213,0	71,5	0,9	288,7	330,3	262,1	286,8	296,0
2176	212,5	71,7	0,9	288,0	330,5	262,5	286,6	296,7
2177	211,6	71,6	0,9	287,4	331,0	262,4	286,1	295,9
2178	211,0	71,8	0,9	286,8	331,5	263,0	285,9	296,1
2179	210,8	71,8	0,8	287,1	331,1	264,0	285,0	296,6
2180	210,4	71,8	0,8	287,3	331,0	264,0	284,6	296,3
2181	210,2	71,6	0,8	287,3	330,4	264,2	284,0	295,7
2182	210,1	71,5	0,8	287,3	329,8	264,6	283,4	295,2
2183	209,8	71,6	0,8	286,7	329,9	265,5	283,1	294,5
2184	210,3	71,5	0,8	286,2	329,1	266,1	282,5	293,5
2185	210,2	71,7	0,8	286,3	329,1	265,6	282,3	292,5
2186	209,0	71,7	0,8	286,2	329,1	265,7	281,8	292,1
2187	209,4	71,7	0,7	286,2	328,1	266,3	281,5	291,9
2188	209,5	71,6	0,7	285,2	326,9	266,1	280,9	291,3
2189	208,9	71,8	0,7	285,2	325,9	266,3	280,1	291,0
2190	208,1	71,7	0,7	285,2	325,1	267,4	279,2	290,4
2191	207,3	71,6	0,7	285,3	324,1	268,1	278,4	290,4
2192	206,4	71,6	0,7	284,5	323,2	267,2	277,5	289,2
2193	206,3	71,6	0,7	283,3	321,8	267,6	276,7	288,3
2194	205,6	71,7	0,7	284,3	320,2	268,0	276,0	289,0
2195	205,2	71,7	0,7	284,8	318,7	267,7	275,3	289,5
2196	204,1	71,8	0,7	284,4	316,8	267,9	274,3	288,3
2197	203,2	71,8	0,6	284,5	315,1	268,2	273,1	288,7
2198	202,1	71,8	0,6	290,0	313,0	268,5	272,0	288,9
2199	201,5	71,9	0,6	293,4	311,3	268,9	270,8	289,3
2200	199,6	71,9	0,6	295,3	309,2	268,2	269,6	289,9
2201	199,1	71,7	0,6	296,4	307,1	269,2	268,8	290,3
2202	198,0	71,6	0,6	297,0	305,0	269,6	267,5	290,2
2203	197,5	71,7	0,6	297,7	303,5	269,7	266,3	289,7
2204	196,5	71,8	0,6	297,7	301,8	269,1	265,3	289,8
2205	195,6	71,9	0,5	298,1	300,8	269,5	264,3	289,5
2206	194,9	71,4	0,5	298,2	299,6	269,2	263,1	289,2
2207	194,1	71,6	0,5	297,8	298,8	269,5	261,9	288,9
2208	193,5	71,5	0,5	296,7	297,6	270,0	260,7	288,7
2209	192,3	71,5	0,5	296,5	296,3	269,4	259,5	288,5
2210	191,8	71,7	0,5	295,9	294,9	269,7	258,4	288,5
2211	191,5	71,7	0,5	294,8	294,2	269,8	257,2	288,1
2212	190,8	71,7	0,5	293,9	292,8	269,7	256,3	287,2
2213	189,8	71,4	0,5	293,1	292,5	270,3	255,2	287,2
2214	189,2	71,1	0,5	292,2	290,7	270,5	254,3	286,8
2215	189,3	71,0	0,5	291,6	290,1	271,3	253,7	286,7
2216	188,0	71,2	0,5	291,1	288,6	271,7	252,7	286,2
2217	188,0	71,2	0,5	290,6	288,3	270,3	251,6	285,7
2218	187,4	71,4	0,4	289,9	288,0	269,8	250,7	285,2
2219	187,1	71,4	0,4	289,3	287,5	270,7	249,8	284,8
2220	186,3	71,4	0,4	288,1	287,1	271,4	248,9	284,7
2221	185,8	71,4	0,4	287,0	287,2	271,1	248,0	284,6
2222	185,0	71,4	0,4	286,4	286,5	271,2	247,1	284,0
2223	184,4	71,4	0,4	285,6	286,5	271,8	246,4	283,9
2224	184,2	71,4	0,4	284,3	286,5	271,8	245,6	283,4
2225	184,2	71,2	0,4	283,2	286,2	271,5	244,9	283,6
2226	184,2	71,4	0,4	282,6	285,4	271,5	244,5	283,2
2227	183,9	71,3	0,3	282,0	284,4	271,1	244,2	282,8
2228	184,1	71,3	0,3	281,2	283,3	271,9	243,9	282,7
2229	183,4	71,3	0,4	280,5	282,1	272,0	243,6	282,4

2230		182,8	71,4	0,3	279,7	280,9	271,6	243,3	282,0
2231		182,6	71,3	0,3	278,9	279,5	272,2	243,0	282,0
2232		182,4	71,3	0,3	278,1	278,9	271,3	242,7	281,8
2233		182,8	71,3	0,3	277,2	277,7	271,6	242,5	281,4
2234		182,2	71,3	0,3	276,3	277,3	271,3	242,2	281,4
2235		181,9	71,3	0,3	275,5	276,3	270,9	242,0	281,2
2236		182,3	71,3	0,3	274,7	275,3	270,3	241,7	281,0
2237		181,6	71,3	0,3	273,9	274,5	270,3	241,4	280,9
2238		181,2	71,3	0,2	273,2	273,4	269,7	241,2	280,9
2239		181,1	71,3	0,3	272,6	273,2	269,6	240,9	280,6
2240		180,8	71,3	0,2	272,0	272,3	268,9	240,4	280,5
2241		181,0	71,2	0,2	271,3	272,0	268,8	240,3	280,4
2242		180,1	71,2	0,2	270,6	270,8	268,5	240,0	280,1
2243		180,3	71,2	0,2	270,1	270,0	268,3	239,6	279,7
2244		179,9	71,2	0,2	269,5	269,4	268,5	239,4	279,5
2245		179,8	71,1	0,2	268,7	268,7	267,8	238,9	279,6
2246		178,3	71,2	0,2	268,2	267,7	268,3	238,3	279,5
2247		178,5	71,2	0,2	267,2	267,5	268,1	238,1	279,0
2248		178,3	71,1	0,2	266,1	266,2	268,5	237,6	278,8
2249		177,8	71,2	0,2	265,3	265,9	267,7	237,1	278,8
2250		177,5	71,1	0,2	264,5	264,8	267,6	236,6	278,5
2251		177,3	71,1	0,2	264,0	264,6	267,0	236,5	278,2
2252		176,4	71,1	0,2	263,2	264,2	266,6	235,9	277,6
2253		176,0	71,1	0,1	262,6	264,0	266,2	235,1	277,3
2254		176,0	71,1	0,1	262,0	263,3	266,0	234,8	276,9
2255		175,4	71,1	0,1	261,2	262,6	265,8	233,9	276,4
2256		174,4	71,1	0,1	260,7	261,9	265,5	233,0	276,0
2257		173,4	71,0	0,1	260,0	261,5	265,0	232,0	275,4
2258		173,0	71,0	0,1	259,2	261,2	265,7	231,2	275,0
2259		172,4	71,0	0,1	258,5	261,0	265,0	230,3	274,4
2260		171,6	71,0	0,1	257,6	259,5	264,5	229,2	273,6
2261		171,1	71,0	0,1	256,7	259,1	264,3	227,8	272,7
2262		170,1	71,0	0,1	255,9	257,9	265,2	226,8	271,8
2263		169,6	71,0	0,1	254,7	257,0	264,8	225,7	271,3
2264		169,0	70,9	0,1	253,9	255,9	264,0	224,7	270,4
2265		168,2	70,9	0,1	253,2	254,8	263,3	223,6	269,6
2266		167,7	71,0	0,1	252,4	254,1	263,1	222,5	268,6
2267		166,6	70,9	0,1	251,8	253,1	262,6	221,6	267,8
2268		165,9	70,8	0,0	250,7	252,0	262,2	220,7	266,9
2269	High setting	485,8	70,5	15,3	291,8	301,7	104,7	635,6	309,8
2270	21-21-21-21	508,0	70,5	15,2	299,6	305,3	108,1	607,0	317,6
2271	4 pieces	485,9	70,4	15,1	305,0	301,8	112,7	576,9	323,0
2272		475,5	70,1	14,9	307,7	295,4	117,3	551,8	325,7
2273		477,5	70,2	14,8	308,5	287,9	121,8	532,6	326,5
2274		498,5	70,0	14,7	307,3	280,0	125,6	523,3	325,3
2275		522,4	70,1	14,6	306,2	270,8	129,5	525,2	324,2
2276		566,6	70,1	14,4	304,7	233,7	132,9	542,0	322,7
2277		583,9	70,4	14,3	303,2	215,7	135,7	561,8	321,2
2278		584,3	70,3	14,1	303,0	203,3	138,2	575,1	321,0
2279		578,3	70,3	14,0	302,9	196,1	140,3	583,7	320,9
2280		570,6	70,0	13,8	303,2	190,8	142,3	587,1	321,2
2281		556,4	70,0	13,7	304,7	187,7	143,9	585,7	322,7
2282		535,3	70,3	13,5	305,5	185,2	145,1	579,9	323,5
2283		504,3	70,4	13,4	305,7	181,6	146,5	566,5	323,7
2284		497,6	70,7	13,3	305,8	179,2	147,7	555,1	323,8
2285		474,4	70,1	13,2	304,5	175,4	148,7	541,6	322,5
2286		449,1	70,5	13,1	303,3	172,6	150,0	527,8	321,3
2287		462,7	70,5	12,9	301,3	169,9	150,9	521,1	319,3
2288		482,4	70,5	12,8	299,0	167,5	151,9	518,4	317,0
2289		511,8	70,7	12,6	295,7	164,8	152,7	522,3	313,7
2290		538,5	70,8	12,5	292,7	162,9	153,4	533,5	310,7
2291		571,6	71,0	12,3	290,0	163,1	154,1	550,4	308,0
2292		598,4	70,8	12,1	288,0	162,5	154,9	570,4	306,0
2293		626,3	70,2	12,0	286,4	162,7	155,6	593,4	304,4
2294		650,7	70,3	11,8	286,5	163,0	156,2	616,5	304,5
2295		667,1	70,7	11,6	287,1	164,9	156,9	639,1	305,1
2296		679,9	70,8	11,3	289,0	167,1	157,9	658,1	307,0
2297		692,4	70,8	11,2	291,4	168,7	159,1	675,2	309,4
2298		701,3	70,7	10,9	295,2	170,4	160,1	690,3	313,2
2299		703,4	70,9	10,7	299,6	172,5	161,3	704,4	317,6
2300		704,3	71,0	10,5	304,2	174,3	162,6	716,4	322,2
2301		704,7	71,3	10,3	308,3	176,6	164,0	726,1	326,3
2302		719,7	71,5	10,1	312,8	177,8	165,1	736,1	330,8
2303		746,1	71,0	9,8	317,4	180,2	166,4	755,5	335,4
2304		745,4	71,5	9,6	322,3	183,4	167,7	770,5	340,3
2305		760,8	71,6	9,4	326,8	186,8	169,3	787,2	344,8
2306		862,2	72,0	9,2	331,9	190,8	170,8	834,3	349,9
2307		859,0	71,7	8,9	337,7	195,7	172,0	865,7	355,7
2308		853,0	71,9	8,6	343,1	201,6	173,8	883,7	361,1
2309		840,7	72,4	8,4	348,8	208,2	175,4	892,6	366,8
2310		827,7	71,8	8,1	354,6	213,2	177,4	896,6	372,6
2311		808,3	72,0	8,0	360,9	219,2	179,2	893,3	378,9
2312		790,5	72,4	7,7	367,2	223,5	181,5	885,6	385,2
2313		780,6	72,1	7,5	373,4	229,0	183,8	877,9	391,4
2314		782,4	72,1	7,3	380,1	233,4	186,5	873,2	398,1
2315		788,0	71,8	7,1	386,8	236,6	189,0	873,0	404,8
2316		792,4	72,4	6,9	392,0	240,9	191,9	874,7	410,0
2317		801,3	71,9	6,7	398,0	245,3	194,5	880,0	416,0
2318		805,5	72,4	6,5	403,1	249,4	197,6	887,8	421,1
2319		800,1	72,1	6,3	407,5	253,5	200,6	890,9	425,5
2320		796,6	72,3	6,1	412,9	258,9	203,7	891,4	430,9
2321		791,3	71,9	5,9	417,5	264,3	207,1	889,2	435,5
2322		786,5	71,9	5,7	422,8	269,0	210,4	884,2	440,8

2323		779,8	72,4	5,6	427,4	274,3	213,6	876,8	445,4
2324		773,6	72,0	5,4	431,4	279,9	217,5	868,5	449,4
2325		766,0	72,4	5,2	436,7	285,2	221,5	861,7	454,7
2326		756,1	72,3	5,1	439,8	290,2	225,3	854,1	457,8
2327		748,3	72,6	4,9	443,4	295,4	229,6	847,5	461,4
2328		742,0	72,5	4,7	448,0	300,4	233,6	840,5	466,0
2329		738,4	72,5	4,6	450,2	304,5	238,2	835,5	468,2
2330		732,0	72,5	4,4	454,3	310,5	242,9	828,8	472,3
2331		726,5	72,5	4,2	458,2	315,7	247,6	820,0	476,2
2332		720,1	72,4	4,1	460,1	322,8	252,7	812,2	478,1
2333		718,2	72,5	4,0	463,3	331,0	257,6	806,5	481,3
2334		710,2	72,7	3,8	467,3	336,3	262,5	798,9	485,3
2335		698,4	72,7	3,7	470,2	338,5	267,9	790,2	488,2
2336		686,6	72,5	3,6	473,0	342,1	272,7	782,0	491,0
2337		672,3	72,5	3,4	477,1	343,9	277,5	769,8	495,1
2338		659,0	72,8	3,3	480,1	346,7	282,7	757,3	498,1
2339		651,7	72,5	3,2	484,3	387,1	287,7	745,1	502,3
2340		645,1	72,8	3,1	488,2	421,0	292,7	735,4	506,2
2341		638,9	72,6	3,0	492,0	446,2	298,4	727,0	510,0
2342		633,9	72,5	2,9	495,1	465,6	304,4	718,4	513,1
2343		629,5	72,5	2,8	496,8	481,5	309,4	710,5	514,8
2344		622,3	72,3	2,7	499,4	494,2	314,8	702,5	517,4
2345		609,7	72,4	2,6	502,1	503,4	321,1	693,2	520,1
2346		598,6	72,1	2,6	504,2	510,2	326,5	684,4	522,2
2347		586,6	72,3	2,5	506,1	514,4	332,6	674,5	524,1
2348		580,0	72,7	2,5	507,7	516,8	338,4	666,1	525,7
2349		570,0	72,6	2,4	508,2	520,2	343,9	657,9	526,2
2350		564,8	72,3	2,3	509,3	520,4	349,5	649,7	527,3
2351		553,1	72,6	2,2	508,8	520,7	354,0	638,1	526,8
2352		541,4	72,2	2,2	509,1	519,5	360,5	626,8	527,1
2353		532,1	71,8	2,1	508,6	518,1	365,7	614,6	526,6
2354		525,2	72,0	2,1	507,0	516,8	370,4	604,4	525,0
2355		513,0	72,0	2,1	505,6	514,3	374,2	595,1	523,6
2356		500,3	72,0	2,1	503,9	510,1	379,6	583,5	521,9
2357		483,1	71,9	2,0	501,8	505,8	384,8	569,9	519,8
2358		472,6	71,9	2,0	499,2	500,2	389,5	556,7	517,2
2359		462,3	72,0	2,0	496,1	494,3	393,8	544,8	514,1
2360		453,9	71,7	1,9	493,3	487,4	397,2	533,6	511,3
2361		448,7	71,4	2,0	489,6	481,8	400,0	523,9	507,6
2362		442,9	71,9	1,9	486,0	476,6	401,8	515,2	504,0
2363		438,0	71,5	1,9	482,5	471,7	403,3	507,3	500,5
2364		435,2	71,8	1,8	478,8	467,6	404,0	500,4	496,8
2365	Low setting	314,9	71,6	16,4	474,0	464,0	413,3	477,7	492,0
2366	21-19-19-20-19	358,5	71,5	16,3	469,1	457,2	413,9	460,8	487,1
2367	5 pieces	367,6	71,5	16,2	463,0	445,0	415,2	446,1	481,0
2368		383,6	71,4	16,0	455,5	431,9	414,7	436,4	473,5
2369		405,4	71,6	15,9	448,5	418,4	414,3	434,5	466,5
2370		496,5	71,4	15,7	441,3	406,2	412,5	450,2	459,3
2371		567,1	71,2	15,6	432,9	394,2	410,0	482,0	450,9
2372		644,5	71,5	15,3	425,1	383,3	405,8	527,0	443,1
2373		716,3	71,8	15,1	419,0	373,5	402,9	587,9	437,0
2374		768,7	71,8	14,8	414,2	364,8	400,1	652,9	432,2
2375		834,1	71,9	14,5	409,0	357,3	396,6	728,4	427,0
2376		790,5	71,8	14,3	405,5	351,0	394,5	787,0	423,5
2377		772,0	72,1	14,1	403,5	346,2	392,8	816,6	421,5
2378		713,9	72,1	13,8	402,7	340,3	392,9	837,4	420,7
2379		664,3	72,2	13,7	401,3	333,7	392,2	836,4	419,3
2380		645,0	72,1	13,5	400,7	328,5	388,9	836,4	418,7
2381		641,8	72,2	13,3	398,3	324,3	386,4	839,4	416,3
2382		643,2	72,4	13,1	396,8	320,7	385,4	843,2	414,8
2383		641,9	72,0	12,9	396,2	318,4	381,3	847,5	414,2
2384		639,6	72,4	12,7	396,7	316,1	378,9	848,5	414,7
2385		635,0	72,0	12,5	396,8	314,0	377,8	845,0	414,8
2386		625,5	72,0	12,4	396,5	312,3	376,2	835,7	414,5
2387		612,6	71,9	12,2	397,5	311,3	372,8	826,0	415,5
2388		605,8	72,3	12,1	397,8	309,8	370,8	820,5	415,8
2389		600,7	72,4	11,9	398,1	308,7	367,3	816,5	416,1
2390		601,1	72,1	11,7	398,6	308,0	363,5	814,3	416,6
2391		603,5	72,4	11,5	399,4	307,8	361,4	815,3	417,4
2392		608,6	72,6	11,4	399,9	307,0	358,7	821,7	417,9
2393		612,5	72,0	11,2	400,3	307,4	355,7	827,5	418,3
2394		608,8	72,5	11,0	402,5	307,0	352,0	820,8	420,5
2395		592,8	72,7	10,9	402,9	307,7	348,7	807,2	420,9
2396		571,2	72,5	10,8	404,9	307,3	346,2	790,3	422,9
2397		554,1	72,4	10,7	406,1	306,6	344,3	772,9	424,1
2398		536,9	72,5	10,5	407,0	305,7	341,7	755,2	425,0
2399		523,3	72,3	10,4	407,7	304,7	339,5	737,5	425,7
2400		508,7	72,2	10,3	408,3	304,0	336,6	717,4	426,3
2401		488,0	72,5	10,2	407,6	303,4	333,3	694,7	425,6
2402		470,5	72,4	10,2	407,5	302,4	331,4	672,7	425,5
2403		457,2	72,2	10,0	407,0	301,5	329,1	654,4	425,0
2404		450,0	71,9	10,0	405,7	299,9	327,1	639,3	423,7
2405		443,8	72,1	9,9	405,1	298,2	324,0	626,9	423,1
2406		441,6	71,9	9,8	403,2	296,6	322,0	619,8	421,2
2407		442,4	72,0	9,7	401,3	294,6	320,2	615,7	419,3
2408		443,7	71,6	9,6	399,8	292,6	318,1	615,3	417,8
2409		445,6	71,9	9,5	398,0	291,4	315,8	616,4	416,0
2410		450,1	72,1	9,4	397,4	290,5	312,9	616,4	415,4
2411		456,9	72,0	9,3	396,2	289,4	311,1	619,8	414,2
2412		463,4	71,9	9,2	396,2	288,9	308,7	628,0	414,2
2413		463,6	71,8	9,1	396,3	288,6	306,4	633,4	414,3
2414		469,0	71,8	9,0	397,5	288,6	304,1	640,6	415,5
2415		476,5	71,8	8,9	399,0	289,1	301,8	651,1	417,0

2416	487,4	71,8	8,8	401,3	289,3	299,8	663,5	419,3
2417	493,1	72,2	8,7	404,3	289,8	297,3	675,8	422,3
2418	489,0	71,5	8,6	408,0	290,5	295,3	678,3	426,0
2419	478,0	72,1	8,5	410,7	291,7	293,2	673,8	428,7
2420	464,4	71,9	8,4	412,6	293,2	291,1	662,9	430,6
2421	448,4	71,8	8,3	414,4	293,7	290,2	648,7	432,4
2422	431,5	71,8	8,3	415,5	293,8	288,5	632,0	433,5
2423	414,1	72,1	8,2	413,8	293,9	287,4	612,0	431,8
2424	398,7	71,5	8,2	413,2	293,5	285,5	592,9	431,2
2425	385,8	71,7	8,1	411,8	293,2	284,0	574,8	429,8
2426	376,6	71,8	8,0	409,1	291,8	283,2	558,4	427,1
2427	368,3	71,9	8,0	406,6	290,5	281,2	543,7	424,6
2428	361,1	71,7	7,9	402,6	288,9	280,7	531,5	420,6
2429	355,2	71,9	7,9	400,2	287,1	279,6	520,3	418,2
2430	351,2	71,5	7,8	396,0	285,0	278,8	511,0	414,0
2431	343,5	71,6	7,8	393,5	283,4	277,2	501,1	411,5
2432	339,5	71,6	7,7	391,0	281,3	276,9	491,8	409,0
2433	336,4	71,7	7,7	387,5	279,3	276,1	484,6	405,5
2434	333,5	71,4	7,6	384,5	277,2	275,4	478,5	402,5
2435	329,1	71,7	7,5	381,7	275,2	274,5	472,3	399,7
2436	328,3	71,7	7,5	378,4	273,2	273,2	467,7	396,4
2437	326,3	71,6	7,5	375,2	271,5	272,2	463,5	393,2
2438	324,7	71,6	7,4	372,7	269,5	271,2	459,8	390,7
2439	323,7	71,5	7,4	370,5	267,7	270,3	456,2	388,5
2440	315,2	71,6	7,3	368,0	266,3	269,4	450,5	386,0
2441	308,8	71,4	7,2	365,0	265,1	268,5	443,7	383,0
2442	305,1	71,4	7,2	363,6	263,4	268,0	437,3	381,6
2443	303,1	71,4	7,2	360,4	262,2	266,7	431,9	378,4
2444	303,2	71,4	7,1	358,0	260,7	266,2	428,0	376,0
2445	301,7	71,5	7,0	356,9	259,4	265,7	425,3	374,9
2446	302,1	71,5	7,0	353,5	258,7	263,9	423,2	371,5
2447	302,5	71,4	6,9	353,0	257,1	264,2	420,8	371,0
2448	310,6	71,4	6,8	351,5	255,5	263,6	424,5	369,5
2449	321,3	71,4	6,8	348,4	254,4	261,6	432,2	366,4
2450	336,8	71,3	6,7	346,8	253,8	260,5	442,5	364,8
2451	347,8	71,3	6,6	345,6	252,7	260,2	454,0	363,6
2452	359,0	71,5	6,6	344,2	252,1	259,7	465,1	362,2
2453	372,2	71,5	6,5	343,1	251,6	258,9	479,7	361,1
2454	383,6	71,5	6,4	342,4	251,9	257,9	495,9	360,4
2455	401,4	71,3	6,3	340,1	252,9	256,3	517,3	358,1
2456	417,1	71,5	6,2	339,9	254,1	255,4	542,1	357,9
2457	431,4	71,5	6,1	339,7	255,3	254,4	564,8	357,7
2458	446,2	71,5	6,0	340,4	258,1	252,6	583,6	358,4
2459	446,9	71,5	5,9	341,4	260,7	251,1	591,4	359,4
2460	447,3	71,9	5,8	342,7	263,8	250,2	597,0	360,7
2461	447,9	71,7	5,7	346,3	266,5	250,2	601,4	364,3
2462	448,3	72,0	5,6	350,1	269,5	248,5	604,6	368,1
2463	449,7	71,9	5,5	354,2	271,8	247,1	605,3	372,2
2464	448,7	72,0	5,4	358,2	273,5	247,0	607,4	376,2
2465	444,0	71,9	5,4	362,0	275,7	246,0	607,1	380,0
2466	440,5	72,0	5,3	365,9	277,7	245,6	603,5	383,9
2467	436,4	71,7	5,2	368,8	279,1	245,4	597,9	386,8
2468	429,4	71,2	5,2	370,1	280,0	244,6	589,9	388,1
2469	423,7	71,5	5,1	371,8	281,0	244,9	580,1	389,8
2470	418,0	71,6	5,0	372,6	281,8	243,6	570,2	390,6
2471	413,2	71,3	4,9	373,9	282,7	243,6	562,6	391,9
2472	411,8	71,2	4,9	374,1	282,6	242,8	557,9	392,1
2473	409,0	71,4	4,8	375,4	282,7	242,1	552,9	393,4
2474	407,2	71,6	4,8	374,8	283,2	240,7	550,5	392,8
2475	402,9	71,8	4,7	375,2	283,4	240,5	547,4	393,2
2476	400,4	71,5	4,6	374,9	283,6	239,2	544,8	392,9
2477	396,5	71,6	4,6	374,7	284,2	238,9	543,8	392,7
2478	387,2	71,6	4,5	375,2	284,4	238,7	539,1	393,2
2479	381,0	71,7	4,5	375,6	285,3	238,3	532,2	393,6
2480	357,5	71,7	4,4	374,8	285,0	238,2	519,7	392,8
2481	357,6	71,4	4,4	374,0	283,9	238,3	511,7	392,0
2482	362,7	71,4	4,3	373,0	283,3	238,1	506,0	391,0
2483	367,7	71,3	4,3	372,3	282,4	238,3	505,6	390,3
2484	370,9	71,4	4,2	371,6	281,1	237,3	506,5	389,6
2485	373,7	71,5	4,2	371,7	280,4	237,6	508,9	389,7
2486	374,7	71,5	4,1	370,7	279,5	236,7	512,2	388,7
2487	375,5	71,4	4,1	371,6	278,0	236,5	513,2	389,6
2488	372,6	71,4	4,0	373,1	277,4	236,7	513,5	391,1
2489	372,8	71,5	3,9	373,2	275,9	235,9	513,2	391,2
2490	379,7	71,4	3,9	373,4	276,0	235,6	511,9	391,4
2491	384,2	71,4	3,8	374,3	276,3	235,2	511,4	392,3
2492	387,3	71,5	3,7	375,2	276,6	235,8	512,6	393,2
2493	395,2	71,3	3,7	374,4	276,8	234,9	514,5	392,4
2494	398,3	71,6	3,6	374,6	277,0	236,0	516,7	392,6
2495	402,1	71,5	3,6	375,0	278,7	236,0	518,8	393,0
2496	392,4	71,7	3,5	375,3	278,5	236,4	516,3	393,3
2497	382,7	71,8	3,5	374,1	279,4	237,1	516,2	392,1
2498	388,9	71,7	3,4	373,0	278,6	237,3	518,8	391,0
2499	383,7	71,8	3,3	373,7	279,3	238,3	518,5	391,7
2500	381,7	71,6	3,3	372,3	278,7	238,6	521,7	390,3
2501	385,0	71,7	3,2	371,3	279,2	238,4	522,2	389,3
2502	391,8	71,6	3,1	369,5	279,2	239,0	522,8	387,5
2503	392,4	71,5	3,1	369,6	280,1	240,0	523,8	387,6
2504	393,1	71,6	3,0	367,5	280,0	239,8	524,4	385,5
2505	391,7	71,6	3,0	367,5	281,3	239,6	524,1	385,5
2506	386,1	71,4	2,9	368,8	282,3	240,9	522,6	386,8
2507	385,6	71,7	2,9	369,6	283,5	241,3	521,5	387,6
2508	386,0	71,6	2,8	369,9	284,1	241,6	519,2	387,9



2509	379,3	71,5	2,7	369,0	285,6	241,6	515,6	387,0
2510	368,3	71,5	2,7	366,9	287,0	242,8	509,1	384,9
2511	350,8	71,7	2,7	366,2	288,0	243,5	498,3	384,2
2512	338,9	71,6	2,6	365,3	288,9	244,6	486,6	383,3
2513	327,8	71,6	2,6	364,9	290,7	245,0	474,6	382,9
2514	322,0	71,6	2,6	364,8	291,0	245,7	464,9	382,8
2515	317,8	71,5	2,6	364,0	290,6	247,4	456,6	382,0
2516	314,2	71,2	2,5	362,9	290,8	248,5	449,2	380,9
2517	310,2	71,6	2,5	363,2	290,9	249,8	441,7	381,2
2518	306,0	71,3	2,5	362,6	290,0	250,9	434,8	380,6
2519	302,0	71,3	2,5	361,1	290,1	251,7	428,6	379,1
2520	299,2	71,0	2,4	359,7	290,0	253,3	423,0	377,7
2521	295,3	71,2	2,4	358,0	289,7	254,5	417,6	376,0
2522	291,2	71,4	2,4	358,3	289,7	255,5	412,3	376,3
2523	288,4	71,3	2,4	358,6	289,7	256,9	407,3	376,6
2524	285,0	71,4	2,3	358,5	289,2	257,6	402,6	376,5
2525	283,0	71,5	2,3	357,3	289,0	258,7	398,3	375,3
2526	280,6	71,4	2,3	356,6	288,7	259,8	394,4	374,6
2527	278,6	71,1	2,3	355,0	288,9	260,9	391,0	373,0
2528	277,1	71,2	2,3	354,5	288,3	262,9	388,0	372,5
2529	274,9	71,1	2,2	352,7	288,9	264,0	385,4	370,7
2530	274,7	71,0	2,2	351,4	289,0	264,7	383,3	369,4
2531	273,4	71,1	2,2	352,0	289,3	266,0	380,9	370,0
2532	272,4	71,2	2,2	352,4	289,7	267,3	379,5	370,4
2533	272,3	71,1	2,2	351,8	290,0	268,5	377,9	369,8
2534	270,8	71,4	2,2	351,1	290,3	269,5	376,7	369,1
2535	270,0	71,1	2,1	350,1	290,6	270,6	375,4	368,1
2536	269,5	71,2	2,1	349,3	290,8	271,5	374,4	367,3
2537	268,8	71,1	2,1	348,5	291,5	272,3	373,4	366,5
2538	267,9	71,0	2,1	348,3	292,0	273,3	372,4	366,3
2539	266,6	71,3	2,0	348,9	293,5	273,8	370,8	366,9
2540	265,9	71,3	2,0	349,4	294,2	275,1	369,8	367,4
2541	266,0	71,2	2,0	349,9	294,6	276,0	368,6	367,9
2542	265,5	71,4	2,0	350,1	294,8	276,9	367,4	368,1
2543	264,9	71,3	2,0	350,2	295,9	277,9	366,6	368,2
2544	264,8	71,2	1,9	350,8	297,0	279,0	366,1	368,8
2545	263,9	70,8	1,9	350,3	298,0	278,9	365,4	368,3
2546	263,7	71,2	1,9	350,9	298,8	279,6	364,6	368,9
2547	263,3	71,4	1,9	351,5	299,0	281,5	363,9	369,5
2548	263,8	71,0	1,8	351,6	300,1	282,8	363,6	369,6
2549	263,1	71,2	1,8	352,0	301,1	283,5	363,0	370,0
2550	263,2	71,1	1,8	352,8	301,7	283,1	362,3	370,8
2551	262,1	71,2	1,8	353,4	302,8	285,1	361,9	371,4
2552	262,5	71,3	1,8	354,0	303,3	286,3	361,8	372,0
2553	262,5	71,6	1,7	354,8	304,4	287,2	361,4	372,8
2554	262,8	71,3	1,7	355,0	304,8	287,6	361,5	373,0
2555	262,6	71,4	1,7	355,1	305,7	289,2	361,2	373,1
2556	263,0	71,2	1,7	355,6	306,5	290,2	360,8	373,6
2557	262,9	71,3	1,7	355,9	307,5	290,9	360,6	373,9
2558	261,7	71,3	1,6	354,4	308,5	290,5	360,2	372,4
2559	260,7	71,1	1,6	355,3	311,2	291,3	359,9	373,3
2560	260,8	71,2	1,6	354,7	312,7	291,1	359,5	372,7
2561	260,8	71,3	1,6	355,2	314,0	292,2	358,9	373,2
2562	260,2	71,5	1,6	353,4	315,8	293,0	358,5	371,4
2563	259,3	71,4	1,6	353,7	317,2	294,2	358,4	371,7
2564	260,0	71,3	1,6	354,1	318,7	294,0	358,1	372,1
2565	259,3	71,4	1,5	354,3	320,4	294,3	357,5	372,3
2566	258,9	71,1	1,5	354,2	321,8	295,0	357,1	372,2
2567	256,0	71,4	1,5	355,3	323,6	296,3	355,0	373,3
2568	255,0	71,3	1,5	355,3	323,1	297,3	353,2	373,3
2569	254,9	71,3	1,4	355,7	324,2	298,0	352,3	373,7
2570	254,2	71,5	1,4	356,0	324,9	298,9	351,5	374,0
2571	254,8	71,5	1,4	355,6	326,5	298,6	351,3	373,6
2572	254,1	71,3	1,4	355,6	327,4	298,8	350,9	373,6
2573	254,3	71,5	1,4	355,5	329,0	299,0	351,0	373,5
2574	254,1	71,4	1,4	355,4	330,4	299,8	351,3	373,4
2575	254,0	71,4	1,3	355,6	332,0	300,3	351,0	373,6
2576	254,5	71,3	1,3	356,5	333,4	301,7	350,3	374,5
2577	253,6	71,3	1,3	356,5	334,6	301,7	349,5	374,5
2578	253,6	71,2	1,3	356,9	335,6	302,5	348,6	374,9
2579	252,7	71,3	1,2	355,6	337,1	302,3	348,0	373,6
2580	252,2	71,5	1,2	356,2	337,2	303,1	347,3	374,2
2581	251,2	71,7	1,2	355,9	338,5	303,1	346,4	373,9
2582	250,2	71,5	1,2	355,5	339,5	303,5	345,7	373,5
2583	250,1	71,5	1,2	356,4	340,3	304,8	345,0	374,4
2584	249,2	71,7	1,2	356,5	341,6	304,8	344,4	374,5
2585	249,1	71,7	1,1	356,1	342,8	304,9	343,3	374,1
2586	247,8	71,6	1,2	355,9	343,6	305,6	342,8	373,9
2587	248,3	71,4	1,1	355,8	344,2	307,0	341,8	373,8
2588	248,5	71,4	1,1	355,3	345,7	307,3	341,1	373,3
2589	248,0	71,6	1,1	354,9	345,8	308,4	340,2	372,9
2590	248,1	71,3	1,1	354,9	347,2	308,4	339,8	372,9
2591	246,2	71,6	1,1	355,1	347,8	309,0	339,3	373,1
2592	245,8	71,6	1,0	355,5	348,7	310,4	338,8	373,5
2593	245,5	71,6	1,0	354,9	349,9	310,4	338,3	372,9
2594	245,5	71,5	1,0	354,7	350,7	310,7	337,8	372,7
2595	245,9	71,5	1,0	354,8	350,7	312,0	337,2	372,8
2596	245,5	71,5	1,0	354,9	350,9	312,7	336,4	372,9
2597	244,0	71,4	0,9	353,8	351,0	313,0	335,2	371,8
2598	244,4	71,4	0,9	353,5	351,0	313,2	334,2	371,5
2599	244,2	71,4	0,9	353,3	350,5	314,9	333,4	371,3
2600	243,0	71,5	0,9	353,2	351,1	315,5	332,3	371,2
2601	242,1	71,4	0,9	352,4	350,2	315,4	331,3	370,4

2602		242,2	71,4	0,9	351,7	349,8	315,5	330,2	369,7
2603		241,8	71,3	0,8	349,7	349,0	316,1	329,1	367,7
2604		240,9	71,5	0,8	349,2	348,6	317,2	328,0	367,2
2605		240,3	71,6	0,8	348,5	348,6	316,6	327,3	366,5
2606		240,2	71,4	0,8	348,1	348,0	316,9	326,4	366,1
2607		239,7	71,5	0,8	347,7	347,1	316,9	325,7	365,7
2608		239,6	71,5	0,8	348,6	346,8	317,7	325,0	366,6
2609		238,5	71,4	0,7	347,1	345,8	317,6	324,5	365,1
2610		238,3	71,5	0,8	347,4	345,7	318,5	323,9	365,4
2611		238,1	71,5	0,7	346,2	345,6	318,3	323,2	364,2
2612		236,9	71,5	0,7	346,0	345,5	318,0	322,6	364,0
2613		238,1	71,4	0,7	344,9	345,4	317,7	322,3	362,9
2614		237,8	71,3	0,7	344,4	344,1	318,1	321,8	362,4
2615		237,4	71,4	0,7	343,4	344,3	317,1	321,5	361,4
2616		236,4	71,3	0,7	342,3	344,0	316,9	321,1	360,3
2617		236,2	71,3	0,6	341,9	343,0	316,7	320,7	359,9
2618		236,3	71,3	0,6	342,7	342,6	318,0	320,1	360,7
2619		236,5	71,3	0,6	341,9	342,1	317,9	319,6	359,9
2620		236,3	71,3	0,6	340,7	341,8	317,4	319,0	358,7
2621		235,1	71,4	0,6	340,0	341,7	317,2	318,2	358,0
2622		234,3	71,1	0,6	339,6	341,2	317,0	317,5	357,6
2623		233,7	71,2	0,5	338,9	340,5	317,9	317,1	356,9
2624		233,3	71,4	0,5	338,5	339,6	318,3	316,1	356,5
2625		233,0	71,5	0,5	338,8	339,0	318,5	315,2	356,8
2626		232,6	71,5	0,5	337,9	338,9	318,7	314,6	355,9
2627		232,4	71,3	0,5	336,1	337,8	318,1	313,6	354,1
2628		231,2	71,6	0,5	335,5	337,5	318,2	312,9	353,5
2629		230,7	71,4	0,5	334,7	336,8	318,8	312,3	352,7
2630		230,3	71,4	0,5	334,7	336,4	318,6	312,1	352,7
2631		230,0	71,4	0,5	333,9	334,8	318,5	311,4	351,9
2632		228,8	71,5	0,4	334,2	334,6	318,4	310,0	352,2
2633		227,4	71,5	0,4	333,8	333,6	318,8	308,8	351,8
2634		226,3	71,6	0,4	333,5	331,9	319,2	307,5	351,5
2635		224,5	71,6	0,4	332,8	330,2	318,4	306,2	350,8
2636		224,1	71,5	0,4	332,2	328,1	318,2	305,1	350,2
2637		223,0	71,3	0,4	331,3	326,4	317,8	303,7	349,3
2638		222,5	71,5	0,4	330,5	324,2	318,0	302,5	348,5
2639		222,4	71,3	0,3	330,5	322,3	318,4	301,3	348,5
2640		222,3	71,4	0,3	328,2	320,9	317,9	300,6	346,2
2641		222,0	71,4	0,3	326,9	319,1	317,0	299,5	344,9
2642		220,9	71,6	0,3	326,4	318,3	317,0	299,3	344,4
2643		220,6	71,6	0,3	326,9	316,1	317,3	299,0	344,9
2644		219,8	71,7	0,2	325,9	315,4	316,7	298,5	343,9
2645		220,0	71,5	0,2	324,1	314,4	316,0	298,0	342,1
2646		219,5	71,6	0,2	322,6	313,3	315,4	297,4	340,6
2647		218,9	71,5	0,2	322,4	311,7	314,9	296,6	340,4
2648		217,1	71,5	0,2	322,1	310,6	314,0	296,0	340,1
2649		216,8	71,5	0,2	321,0	309,8	313,4	295,1	339,0
2650		216,6	71,5	0,2	319,1	308,0	312,1	293,6	337,1
2651		216,0	71,4	0,1	318,7	306,2	312,0	292,6	336,7
2652		215,1	71,4	0,2	317,6	305,8	311,4	291,7	335,6
2653		214,2	71,5	0,2	316,4	305,0	310,9	290,9	334,4
2654		213,6	71,6	0,1	315,4	304,1	310,0	289,8	333,4
2655		213,3	71,4	0,1	313,9	301,6	309,4	288,8	331,9
2656		211,3	71,5	0,1	313,7	300,1	308,4	287,9	331,7
2657		210,9	71,6	0,1	313,5	299,2	308,1	287,1	331,5
2658		210,1	71,7	0,1	312,0	297,5	307,4	285,9	330,0
2659		209,7	71,6	0,1	311,5	296,1	307,1	285,1	329,5
2660		209,4	71,6	0,1	310,6	294,6	306,2	283,9	328,6
2661		208,7	71,5	0,1	308,4	293,5	305,6	282,9	326,4
2662		207,6	71,6	0,1	307,7	292,3	304,8	281,6	325,7
2663		206,0	71,5	0,1	307,0	291,4	304,1	280,5	325,0
2664		205,2	71,6	0,1	306,5	290,1	302,8	279,0	324,5
2665		204,7	71,4	0,1	305,5	289,2	302,2	277,8	323,5
2666		204,3	71,5	0,1	302,6	288,1	301,5	276,7	320,6
2667		203,3	71,6	0,0	302,1	287,5	300,5	275,4	320,1
2668	High setting	539,8	73,8	15,3	310,8	327,1	107,1	675,0	361,0
2669	19-19-22-19	652,7	73,9	15,1	320,7	286,5	110,5	687,0	368,8
2670	4 pieces	660,4	74,5	15,0	328,5	262,7	114,5	697,1	375,1
2671		663,9	74,2	14,8	335,6	245,0	118,6	704,0	379,6
2672		680,1	73,9	14,6	341,2	229,7	122,7	722,5	382,3
2673		665,8	73,2	14,5	345,4	220,9	126,5	731,7	383,8
2674		653,2	73,6	14,3	348,6	214,1	129,9	729,8	384,1
2675		634,9	74,0	14,2	351,1	207,6	132,7	721,4	383,1
2676		606,9	74,0	14,0	352,7	203,0	135,4	706,7	381,5
2677		580,5	74,0	13,9	353,3	198,6	137,8	691,4	379,2
2678		567,8	73,6	13,8	353,5	193,8	140,3	676,4	376,3
2679		564,2	74,0	13,7	352,1	191,5	142,1	664,5	372,5
2680		562,9	74,3	13,6	350,4	188,5	144,1	657,1	368,9
2681		565,2	74,0	13,5	348,1	185,6	145,9	652,6	365,4
2682		564,4	73,7	13,3	345,6	183,3	147,7	649,8	362,0
2683		561,7	73,4	13,3	343,1	182,8	149,2	645,1	358,8
2684		562,1	73,7	13,1	340,9	183,1	150,8	640,4	356,0
2685		556,7	73,4	13,0	338,8	181,8	152,2	633,4	354,1
2686		573,3	73,6	12,8	336,7	182,6	153,4	634,8	352,3
2687		581,9	73,8	12,7	335,0	182,4	154,8	637,8	351,4
2688		590,0	73,8	12,6	333,6	184,2	156,2	644,5	351,9
2689		596,5	73,7	12,4	332,5	183,9	157,6	654,0	352,5
2690		592,3	73,7	12,2	332,1	185,9	158,9	657,3	354,1
2691		594,5	73,2	12,1	332,3	188,1	160,2	657,0	356,4
2692		602,1	73,8	12,0	332,9	188,6	161,7	659,0	358,8
2693		611,5	74,2	11,8	333,7	190,3	163,2	662,8	361,4
2694		624,8	74,3	11,7	334,9	192,1	164,5	669,5	364,4

2695		632,6	73,9	11,4	336,2	194,1	165,9	675,8	367,2
2696		633,4	74,1	11,3	338,3	196,0	167,5	679,2	370,4
2697		636,2	73,9	11,1	340,9	197,3	169,0	682,4	373,3
2698		637,3	74,6	11,0	343,9	199,9	170,7	684,8	376,2
2699		638,7	74,4	10,8	347,3	201,4	172,5	687,8	379,4
2700		641,0	74,6	10,7	351,1	204,2	174,3	690,9	382,4
2701		640,1	74,6	10,5	354,7	206,4	176,4	692,9	385,6
2702		639,5	74,2	10,4	358,1	209,2	178,4	694,9	388,8
2703		638,6	74,6	10,2	361,6	211,7	180,6	697,5	391,5
2704		641,4	74,8	10,0	364,9	212,7	183,3	700,8	394,2
2705		648,1	75,2	9,9	368,2	214,8	185,9	706,7	397,1
2706		649,4	74,9	9,7	371,6	217,9	188,5	713,5	400,5
2707		662,4	74,6	9,5	374,6	218,6	191,4	721,3	403,3
2708		668,0	75,0	9,3	377,9	220,2	194,2	729,4	406,0
2709		664,4	74,1	9,1	381,0	220,4	198,0	731,7	408,6
2710		663,1	74,8	9,0	384,0	223,1	201,5	732,8	410,8
2711		645,5	74,7	8,9	386,3	223,8	205,5	728,1	413,8
2712		629,0	74,8	8,7	388,6	225,3	209,5	715,6	417,2
2713		617,1	75,2	8,6	390,1	225,7	213,5	702,5	420,5
2714		607,0	75,1	8,4	391,6	225,4	217,6	688,5	423,4
2715		593,7	74,8	8,4	392,6	225,1	221,5	675,1	425,8
2716		580,3	73,9	8,2	393,6	225,8	225,0	661,5	427,7
2717		558,9	74,4	8,1	393,8	225,1	228,7	645,4	429,5
2718		549,2	74,7	8,0	393,7	223,6	231,6	631,2	431,0
2719		544,2	75,0	7,9	392,8	221,5	234,0	620,1	432,2
2720		539,9	74,5	7,8	391,6	218,5	236,2	609,6	433,0
2721		540,0	74,7	7,7	390,0	217,0	238,2	601,6	433,6
2722		551,9	74,6	7,6	388,7	215,2	239,8	599,2	434,2
2723		560,7	74,4	7,4	387,3	213,6	241,3	600,7	434,8
2724		566,6	74,8	7,3	386,5	212,6	242,7	603,9	435,0
2725		571,1	74,6	7,2	385,6	210,9	244,3	608,6	436,1
2726		574,1	74,1	7,1	385,2	210,8	245,2	611,7	436,9
2727		576,0	74,8	6,9	385,2	209,3	246,9	615,2	438,0
2728		575,5	74,5	6,8	385,5	209,2	248,2	618,8	438,9
2729		574,5	74,7	6,7	385,9	209,1	249,4	621,5	439,7
2730		568,5	74,9	6,6	386,4	209,0	251,3	621,3	441,3
2731		563,4	74,9	6,5	386,9	209,2	252,9	618,6	442,3
2732		557,0	74,9	6,4	387,4	208,6	254,4	615,1	443,5
2733		557,8	74,3	6,3	388,0	208,4	255,8	612,4	444,0
2734		567,5	74,7	6,2	388,7	208,1	257,2	615,5	443,4
2735		573,3	74,5	6,0	389,9	208,2	258,7	618,4	442,6
2736		576,3	74,6	5,9	391,4	208,9	260,1	621,0	441,5
2737		577,3	74,9	5,8	393,6	210,8	261,3	622,8	440,5
2738		588,2	74,8	5,7	396,2	211,7	262,5	627,6	439,2
2739		609,1	74,7	5,6	399,6	214,1	263,8	638,1	438,7
2740		629,4	74,8	5,4	403,5	214,5	265,2	653,8	438,4
2741		631,9	74,7	5,3	407,6	216,9	266,3	665,2	438,2
2742		643,6	74,5	5,2	411,5	219,1	267,7	676,3	437,9
2743		650,4	74,8	5,0	416,0	221,5	269,3	688,0	439,1
2744		657,4	75,2	4,9	420,5	223,5	270,8	699,8	440,5
2745		666,9	74,6	4,7	425,0	225,6	272,8	709,6	442,1
2746		674,5	75,1	4,6	429,3	227,8	274,5	719,6	444,6
2747		678,2	75,3	4,4	434,6	230,9	276,0	728,9	446,1
2748		687,3	74,8	4,3	438,9	234,4	277,9	738,0	449,4
2749		695,1	75,2	4,2	443,9	236,8	280,1	748,6	453,4
2750		695,9	74,9	4,0	448,7	238,8	282,2	757,4	457,2
2751		700,7	75,2	3,8	453,2	240,7	284,6	765,7	461,3
2752		692,2	75,4	3,7	457,3	244,4	286,9	769,1	465,2
2753		682,5	75,4	3,6	461,5	247,7	289,3	764,4	468,2
2754		676,5	75,6	3,5	464,5	250,9	291,9	760,5	472,7
2755		674,4	75,3	3,3	468,1	253,3	294,6	756,0	476,8
2756		686,1	75,6	3,1	470,2	285,7	297,4	759,4	481,0
2757		704,2	75,7	3,0	472,5	306,5	299,7	766,0	486,1
2758		712,9	75,7	2,9	474,2	323,8	302,1	770,3	490,1
2759		702,5	75,6	2,8	475,7	339,2	304,9	770,2	494,8
2760		673,5	74,9	2,7	477,5	353,3	307,9	761,9	499,4
2761		647,2	75,5	2,6	479,2	366,7	310,2	743,4	505,2
2762		611,3	74,9	3,1	481,1	378,5	316,0	721,4	510,0
2763	Low setting	474,1	75,5	16,0	482,7	391,6	326,9	674,4	514,7
2764	22-21-19-19-19	678,7	75,5	15,8	484,7	396,7	327,9	698,2	515,9
2765	5 pieces	752,0	75,2	15,6	485,5	392,9	330,2	739,0	515,4
2766		795,4	75,9	15,3	485,3	386,6	332,5	781,7	512,7
2767		826,9	75,2	15,0	484,3	379,6	334,8	818,8	508,9
2768		845,1	75,0	14,8	482,9	373,0	336,2	851,1	504,8
2769		853,8	76,0	14,6	480,7	367,1	337,9	877,5	500,1
2770		862,4	76,4	14,3	478,1	362,1	338,7	896,7	495,6
2771		858,2	75,6	14,1	475,3	344,1	338,9	909,9	490,4
2772		797,7	76,2	13,8	472,9	306,3	340,2	902,4	485,7
2773		762,2	76,3	13,6	470,6	286,2	339,5	884,7	481,7
2774		743,3	75,3	13,4	468,1	274,2	339,2	869,6	477,0
2775		731,3	75,7	13,2	466,4	265,0	338,0	854,9	473,5
2776		722,0	75,0	13,0	464,5	257,4	337,4	844,2	469,5
2777		717,0	75,1	12,8	462,8	252,1	336,5	841,0	465,0
2778		713,9	75,3	12,6	460,7	247,0	335,0	833,4	461,8
2779		710,9	75,1	12,4	458,6	242,7	334,2	828,8	457,9
2780		714,1	75,3	12,2	456,3	239,8	333,2	828,0	454,1
2781		717,3	75,4	12,0	454,6	236,7	331,3	828,9	450,6
2782		729,2	75,2	11,8	453,1	233,1	330,6	836,3	447,7
2783		741,6	75,4	11,6	451,5	232,8	329,9	849,8	444,6
2784		757,2	75,6	11,4	450,2	230,8	328,4	862,2	442,3
2785		767,6	75,2	11,1	449,5	230,6	327,8	877,6	439,4
2786		780,5	75,2	11,0	448,7	230,1	326,8	890,5	437,4
2787		791,4	75,4	10,7	448,1	230,1	325,7	904,2	436,3

2788	800,3	75,4	10,5	447,9	231,6	324,9	915,8	434,8
2789	807,7	76,2	10,2	447,8	231,7	323,8	927,2	433,5
2790	807,0	75,9	10,0	447,8	232,5	323,4	932,0	432,8
2791	815,4	75,7	9,8	448,0	234,0	322,4	936,2	432,4
2792	823,8	75,8	9,5	448,2	235,4	322,2	946,8	431,7
2793	828,5	75,9	9,3	448,5	238,3	321,4	953,1	431,6
2794	843,0	76,3	9,0	449,1	239,8	321,2	962,5	431,7
2795	854,4	76,1	8,8	449,9	242,3	320,8	968,4	431,7
2796	861,5	76,1	8,5	451,2	245,4	320,5	972,6	431,7
2797	874,2	75,9	8,3	452,4	248,4	320,0	975,3	432,4
2798	885,9	76,2	8,1	453,8	251,3	320,0	976,5	433,1
2799	891,0	76,6	7,8	455,3	254,6	319,4	975,7	433,7
2800	890,2	76,5	7,6	457,3	259,3	319,4	976,3	434,6
2801	887,1	76,5	7,3	459,3	264,3	319,5	973,5	435,6
2802	887,4	76,3	7,1	460,8	269,1	319,9	971,0	437,2
2803	896,5	76,3	6,9	462,9	273,7	319,8	971,7	438,5
2804	911,0	76,4	6,6	464,7	279,1	319,8	965,5	439,9
2805	918,4	76,7	6,4	466,9	285,8	320,0	967,2	441,7
2806	905,7	76,9	6,2	469,2	291,1	320,8	966,6	443,0
2807	891,0	77,0	6,0	471,5	296,7	320,8	967,7	444,6
2808	885,0	76,9	5,7	473,6	302,7	321,5	963,2	446,8
2809	871,9	76,6	5,5	476,1	308,0	322,2	962,9	448,8
2810	857,8	76,6	5,3	478,5	313,3	323,1	962,5	451,2
2811	844,5	76,8	5,1	480,6	317,8	323,3	956,7	453,5
2812	832,0	76,5	4,9	482,8	323,2	324,3	953,9	456,1
2813	826,0	76,4	4,7	485,0	327,4	324,9	951,0	459,3
2814	818,0	76,5	4,6	486,8	332,5	325,9	951,8	461,9
2815	807,9	76,6	4,4	488,9	336,4	326,5	949,8	464,9
2816	796,1	76,5	4,2	490,7	341,3	327,8	946,1	468,5
2817	789,6	76,5	4,1	492,6	345,3	328,7	944,2	472,0
2818	784,2	76,3	3,8	494,2	350,6	329,9	938,6	475,5
2819	773,5	76,6	3,7	496,0	356,0	330,8	926,5	478,9
2820	768,6	76,1	3,5	498,4	361,5	332,1	919,7	482,7
2821	762,8	76,4	3,4	500,4	368,4	333,3	910,1	486,2
2822	753,7	76,6	3,3	502,9	374,9	334,1	900,5	490,1
2823	740,5	76,2	3,1	504,7	380,5	335,5	893,7	493,5
2824	728,0	76,4	3,0	506,5	386,6	336,5	883,6	496,8
2825	717,2	76,4	2,9	508,4	391,5	337,8	873,7	500,1
2826	715,5	76,1	2,7	510,1	395,6	339,1	866,0	503,4
2827	710,1	76,3	2,6	511,7	399,2	341,1	859,7	506,9
2828	696,6	76,2	2,5	513,6	402,8	341,7	846,0	510,5
2829	679,7	76,2	2,4	515,7	404,9	342,7	830,4	513,4
2830	668,0	76,2	2,3	517,1	405,3	344,2	815,2	515,7
2831	656,4	76,1	2,2	518,7	405,8	345,1	802,4	518,7
2832	637,7	76,2	2,1	520,1	404,3	346,4	790,6	521,3
2833	618,5	76,1	2,0	521,8	401,9	347,7	773,7	523,9
2834	602,9	75,8	1,9	523,0	397,7	348,8	758,4	526,2
2835	589,3	76,0	1,9	524,1	394,5	350,0	741,8	527,7
2836	574,8	76,2	1,8	524,5	390,1	351,0	725,5	529,1
2837	560,8	75,8	1,8	524,7	388,5	352,3	710,4	529,7
2838	542,8	75,6	1,7	524,3	386,5	353,0	695,3	529,2
2839	523,6	76,2	1,7	523,6	384,2	354,3	677,8	528,7
2840	507,8	75,7	1,6	521,8	384,1	354,6	660,8	528,2
2841	497,5	75,9	1,6	519,8	381,7	355,8	643,5	527,1
2842	482,7	75,6	1,6	517,5	380,8	356,4	629,6	525,9
2843	473,9	75,7	1,5	515,2	378,2	356,7	614,1	524,6
2844	463,8	75,8	1,5	512,5	375,7	358,0	602,4	522,7
2845	455,7	75,4	1,5	510,4	372,6	358,3	588,5	520,5
2846	445,6	75,5	1,4	508,3	370,4	359,1	576,2	518,0
2847	436,7	75,2	1,4	505,6	367,7	360,2	565,0	515,7
2848	428,9	75,6	1,4	503,0	365,2	360,5	554,9	513,2
2849	422,1	75,3	1,3	500,5	362,3	361,2	545,4	511,2
2850	416,2	75,2	1,3	498,3	359,4	360,7	536,1	508,7
2851	411,8	75,2	1,3	496,2	357,2	361,2	528,1	505,5
2852	408,2	75,3	1,2	494,3	354,3	361,2	521,2	503,5
2853	405,8	75,2	1,2	492,4	352,0	361,3	514,4	500,9
2854	401,8	75,3	1,2	489,7	350,0	361,6	508,4	498,1
2855	397,6	75,2	1,2	488,3	348,4	361,7	502,5	496,6
2856	395,8	75,4	1,1	486,4	346,6	361,1	496,6	494,3
2857	392,6	75,3	1,1	484,6	345,0	361,4	491,7	492,3
2858	389,0	75,2	1,1	483,0	342,9	361,0	487,6	490,0
2859	389,0	75,0	1,0	481,2	341,8	360,7	484,0	488,8
2860	388,3	75,1	1,0	479,6	340,0	360,4	481,1	486,5
2861	386,7	75,0	1,0	478,0	339,1	360,0	477,6	484,7
2862	385,6	75,1	0,9	476,6	338,5	359,0	475,5	483,5
2863	382,9	75,0	0,9	475,1	337,4	358,7	473,5	481,7
2864	381,6	75,0	0,9	473,8	334,6	357,8	472,9	479,5
2865	377,5	75,1	0,8	472,7	332,4	357,4	471,1	479,0
2866	373,9	75,0	0,8	471,1	328,5	356,6	468,5	477,3
2867	371,4	74,9	0,8	470,1	324,5	356,4	465,5	475,7
2868	369,0	74,6	0,8	468,6	320,6	354,6	462,6	474,3
2869	368,2	74,7	0,8	467,2	316,4	354,5	459,5	472,7
2870	367,5	74,7	0,7	465,6	313,6	353,8	456,8	470,0
2871	364,5	74,7	0,7	464,1	311,6	353,2	454,1	468,7
2872	363,0	74,7	0,6	462,4	309,0	352,1	451,3	467,1
2873	358,8	74,7	0,6	460,7	306,6	351,3	448,0	465,2
2874	358,2	74,5	0,6	459,2	304,9	350,5	445,1	463,7
2875	355,6	74,6	0,6	457,5	302,9	349,6	442,1	461,8
2876	353,2	74,4	0,5	456,5	301,0	348,4	440,0	460,0
2877	354,7	74,2	0,5	455,0	299,6	347,5	437,3	458,4
2878	352,6	74,4	0,5	453,2	299,3	346,3	435,2	457,0
2879	351,4	74,4	0,5	452,8	297,6	345,4	433,4	455,2
2880	350,6	74,4	0,5	451,6	297,6	344,0	431,7	453,7



2881		351,3	74,4	0,4	450,2	297,3	343,1	430,1	452,1
2882		350,7	74,2	0,4	448,9	294,5	342,2	429,8	450,5
2883		349,6	74,1	0,4	448,0	293,6	341,8	428,6	448,4
2884		347,5	74,2	0,3	447,2	293,1	340,2	427,2	447,4
2885		343,6	74,2	0,3	445,8	292,0	339,4	425,0	445,4
2886		343,0	74,1	0,3	445,0	291,4	338,8	422,7	444,1
2887		340,7	73,9	0,3	443,7	289,7	338,3	420,3	442,7
2888		338,1	74,1	0,3	442,4	288,6	337,3	417,9	441,0
2889		336,5	73,9	0,2	440,4	288,4	336,5	415,7	439,5
2890		335,8	73,9	0,2	438,7	287,5	336,2	413,3	437,8
2891		334,0	73,8	0,2	436,9	286,3	335,2	411,0	436,1
2892		332,6	73,8	0,1	434,8	284,9	334,4	408,7	434,7
2893		330,1	73,8	0,2	432,7	283,0	333,5	406,6	433,2
2894		331,8	73,7	0,2	430,6	280,7	332,7	404,6	431,2
2895		329,8	73,6	0,1	429,1	279,4	332,3	402,7	429,6
2896		329,0	73,7	0,1	427,0	277,0	330,8	400,6	428,3
2897		325,2	73,6	0,1	425,0	275,6	330,2	398,4	426,7
2898		322,9	73,6	0,0	423,1	274,3	329,7	395,8	425,0
2899	High setting	551,3	69,5	15,2	333,6	286,4	110,4	653,7	330,4
2900	21-21-22-19	579,5	69,5	15,0	340,6	261,5	115,7	646,5	337,1
2901	4 pieces	596,9	69,5	14,9	345,7	244,0	121,1	648,3	341,7
2902		630,9	69,5	14,7	349,8	230,9	126,3	660,5	345,1
2903		654,1	69,7	14,5	352,7	219,3	131,2	674,9	347,4
2904		649,9	69,6	14,3	354,9	213,0	135,8	681,4	348,8
2905		653,2	69,6	14,1	356,8	206,1	139,4	683,6	349,6
2906		668,4	69,5	13,9	358,5	203,4	142,6	688,7	350,2
2907		683,1	69,7	13,7	360,0	199,0	145,3	700,6	351,0
2908		685,7	69,6	13,4	361,2	196,7	148,0	713,8	351,5
2909		695,9	69,9	13,2	362,8	195,0	150,0	728,9	352,0
2910		708,8	69,7	13,0	364,4	192,5	151,6	744,4	352,6
2911		716,7	69,8	12,8	365,7	193,5	153,5	759,1	352,7
2912		716,8	69,7	12,6	367,9	193,8	155,0	769,9	352,7
2913		725,2	70,0	12,4	369,7	194,1	156,8	781,3	353,5
2914		732,3	70,2	12,2	372,3	193,6	158,1	791,8	353,8
2915		750,9	70,4	12,0	375,0	194,8	159,9	804,6	354,2
2916		773,7	70,3	11,7	377,5	195,6	161,3	817,7	355,7
2917		799,2	70,6	11,4	379,7	196,7	162,8	831,0	357,1
2918		827,2	69,8	11,2	382,5	197,5	164,2	846,6	358,9
2919		842,1	70,5	10,9	384,9	199,8	166,3	861,2	360,7
2920		861,9	70,9	10,7	387,4	202,0	168,0	876,3	363,1
2921		876,2	70,7	10,4	390,1	205,3	170,1	890,0	365,4
2922		883,9	70,8	10,1	393,3	208,6	172,5	899,5	368,2
2923		886,2	70,8	9,9	396,7	212,4	175,1	909,8	371,3
2924		886,7	71,0	9,6	400,2	215,5	178,1	917,3	375,1
2925		882,0	70,7	9,4	403,8	221,0	180,7	918,6	379,1
2926		879,4	71,3	9,0	408,1	224,3	184,0	918,1	383,7
2927		872,1	71,2	8,8	412,9	227,7	187,9	920,6	389,3
2928		863,1	71,4	8,6	417,4	231,7	191,9	923,5	395,2
2929		854,2	71,4	8,3	422,6	235,7	196,2	921,7	400,9
2930		843,4	71,3	8,1	427,3	240,3	200,7	923,0	406,9
2931		830,0	71,4	7,8	433,0	244,2	205,3	920,5	413,2
2932		817,7	71,4	7,6	439,0	249,0	209,6	920,0	419,4
2933		804,4	71,3	7,4	444,9	253,3	215,4	914,2	426,4
2934		793,6	71,1	7,2	451,2	255,9	220,3	907,2	433,6
2935		782,4	71,5	7,0	457,8	261,4	225,7	901,1	439,9
2936		770,4	71,5	6,8	464,0	263,8	231,5	894,7	447,4
2937		770,6	71,6	6,5	470,3	270,8	236,6	892,0	453,6
2938		775,5	71,5	6,4	476,1	271,7	241,9	889,8	460,5
2939		768,4	71,2	6,2	482,4	275,0	247,6	888,8	465,9
2940		762,3	71,7	6,0	487,7	278,8	253,0	882,2	471,9
2941		755,4	71,5	5,8	493,4	285,2	259,1	874,1	477,4
2942		741,6	71,8	5,6	498,3	285,7	265,4	867,0	482,5
2943		723,5	71,7	5,5	502,8	289,5	270,9	854,5	487,4
2944		699,9	71,2	5,4	508,0	294,0	275,7	834,9	492,8
2945		673,0	71,5	5,2	513,0	297,7	281,6	810,3	496,4
2946		646,1	71,1	5,2	516,7	300,1	288,7	781,9	501,0
2947		623,7	71,3	5,1	520,0	305,3	294,6	755,8	504,5
2948		608,5	71,0	5,0	522,3	303,9	300,0	732,7	507,4
2949		593,8	71,1	4,9	523,4	304,9	304,5	713,9	509,2
2950		586,5	71,0	4,8	524,3	305,6	309,9	697,9	511,0
2951		576,8	71,1	4,7	524,2	307,0	314,7	684,6	512,1
2952		565,4	71,1	4,7	523,4	307,0	319,6	671,0	512,5
2953		553,9	71,0	4,6	521,9	301,8	324,2	656,5	512,5
2954		549,7	71,2	4,5	519,8	298,3	327,8	647,1	511,9
2955		544,4	71,1	4,5	517,5	297,0	331,1	640,0	511,0
2956		534,4	71,2	4,4	514,3	296,0	335,8	631,7	509,6
2957		521,5	71,2	4,4	511,2	291,9	340,3	620,8	507,5
2958		505,0	70,9	4,3	507,7	286,2	344,6	607,4	505,4
2959		488,9	71,0	4,3	504,1	284,0	348,2	592,1	503,8
2960		470,2	71,1	4,2	500,5	281,8	349,7	576,9	500,9
2961		450,9	71,1	4,1	497,7	279,9	352,6	559,6	497,3
2962		436,8	71,0	4,1	493,2	276,2	354,4	543,7	493,9
2963		427,3	71,1	4,1	490,1	274,4	356,1	529,5	489,8
2964		420,4	71,1	4,0	486,9	269,4	357,7	516,7	485,8
2965		413,7	71,0	3,9	483,0	266,3	360,2	505,5	482,2
2966		409,0	70,8	3,9	478,9	262,2	361,0	495,6	478,2
2967		402,3	70,9	3,9	475,2	261,6	360,8	486,4	473,1
2968		396,8	70,7	3,9	471,0	257,3	362,5	477,9	470,1
2969		393,1	70,9	3,8	466,9	253,8	363,3	470,4	466,4
2970		389,1	71,1	3,8	462,8	251,8	362,7	463,9	461,5
2971		385,0	70,9	3,7	459,7	249,3	362,8	457,5	458,1
2972		382,1	70,9	3,7	456,5	245,8	363,4	452,2	454,3
2973		379,9	70,9	3,7	453,5	245,3	362,7	447,3	451,2

2974		378,2	70,8	3,6	450,0	243,0	363,8	442,5	448,0
2975		375,3	70,4	3,5	447,1	241,0	364,6	438,5	445,4
2976		372,2	70,8	5,5	444,1	252,1	365,2	434,1	442,3
2977		454,9	71,0	3,3	441,6	276,3	365,4	453,3	439,5
2978		498,8	71,0	3,2	439,3	296,7	365,2	479,2	437,7
2979		514,5	71,0	3,1	438,5	315,2	363,8	500,7	438,2
2980		516,2	71,0	3,0	438,4	331,7	364,1	514,7	440,2
2981		521,2	70,9	2,9	439,6	346,1	364,0	525,5	443,1
2982		520,6	71,2	2,8	441,9	359,1	363,1	535,1	445,0
2983		521,0	71,3	2,7	445,4	370,2	362,0	541,5	448,1
2984		518,7	71,2	2,7	448,8	379,9	360,8	545,7	451,6
2985		519,1	71,0	2,6	451,3	388,8	361,7	548,9	455,1
2986		518,3	71,1	2,5	454,0	397,9	360,1	552,3	458,4
2987		519,3	71,2	2,4	457,3	405,7	359,4	554,0	460,6
2988		520,6	71,2	2,3	458,9	412,8	360,9	556,6	463,6
2989		521,4	71,0	2,3	461,5	419,8	359,7	559,8	466,3
2990		523,9	71,2	2,2	463,5	425,9	359,0	561,9	468,5
2991		523,9	71,1	2,1	465,4	431,8	359,8	562,5	471,1
2992		522,0	71,0	2,1	467,2	437,0	359,8	564,0	472,5
2993		516,5	71,2	2,0	468,8	442,1	359,7	563,7	474,2
2994		507,9	71,4	1,9	470,5	445,6	360,1	559,3	475,4
2995		498,4	71,3	1,9	471,8	448,4	360,4	554,4	476,2
2996	Low setting	369,7	71,4	15,8	471,6	448,4	368,0	527,1	473,8
2997	19-21-19-20-19	447,6	71,4	15,7	472,1	440,7	367,2	516,3	471,8
2998	5 pieces	481,0	71,1	15,6	471,9	427,9	367,2	517,2	469,1
2999		498,8	71,1	15,5	470,0	414,5	366,5	524,5	465,1
3000		543,0	71,4	15,3	468,0	401,2	366,2	544,1	460,2
3001		563,0	71,4	15,2	465,5	388,3	363,0	561,4	453,8
3002		576,9	71,4	15,0	462,9	376,6	362,6	577,0	447,5
3003		598,4	71,4	14,8	460,1	366,5	360,7	595,4	441,8
3004		621,2	71,4	14,6	456,5	357,9	357,9	614,1	436,9
3005		637,9	71,5	14,4	453,6	350,1	355,3	634,0	431,3
3006		655,7	71,7	14,2	450,3	343,6	353,4	654,3	428,5
3007		672,7	71,6	14,0	447,2	338,1	350,5	675,2	426,4
3008		652,4	71,6	13,8	444,9	308,5	349,0	700,1	423,7
3009		613,3	71,9	13,7	442,6	285,8	349,1	709,6	422,2
3010		575,9	71,7	13,6	441,7	269,7	347,1	703,5	421,5
3011		552,9	71,5	13,4	439,5	256,1	345,1	694,3	419,6
3012		541,2	71,3	13,3	437,9	245,8	341,9	685,3	417,7
3013		533,0	71,5	13,1	438,0	240,4	340,3	679,0	414,0
3014		529,4	71,6	13,0	436,5	232,5	338,7	674,5	410,0
3015		529,1	71,7	12,8	435,9	228,8	336,7	670,7	406,6
3016		531,7	71,6	12,7	434,4	222,6	333,7	670,1	402,6
3017		535,5	71,7	12,6	433,5	218,2	331,1	670,3	398,4
3018		539,0	71,8	12,4	432,7	215,6	328,6	671,3	394,5
3019		545,2	71,7	12,3	431,3	212,0	325,2	673,1	390,6
3020		551,3	71,7	12,1	430,9	209,8	323,7	675,7	387,3
3021		557,9	71,8	12,0	430,1	208,3	321,3	680,4	384,6
3022		563,2	71,9	11,8	429,4	205,8	319,6	684,3	382,8
3023		569,4	71,0	11,7	429,1	203,9	317,0	688,9	381,5
3024		572,5	71,8	11,5	428,6	203,2	314,8	693,0	380,1
3025		572,2	71,9	11,3	428,6	203,9	312,5	696,1	380,4
3026		570,7	71,9	11,2	428,6	203,9	310,7	699,5	380,8
3027		570,7	72,1	11,0	427,8	203,2	308,5	701,3	382,2
3028		572,1	72,1	10,9	427,6	203,7	306,9	703,1	383,2
3029		571,5	71,8	10,7	427,4	204,1	305,4	704,3	383,7
3030		571,8	71,9	10,6	427,2	203,0	303,3	706,0	384,8
3031		572,9	71,9	10,4	426,6	202,1	301,9	707,3	386,0
3032		575,0	71,6	10,3	426,6	201,0	299,3	708,7	387,0
3033		578,1	71,1	10,2	426,3	200,5	297,1	712,6	387,6
3034		575,6	71,1	10,0	426,4	198,5	294,1	712,8	388,4
3035		570,9	71,2	9,9	426,8	197,8	292,9	712,8	388,7
3036		567,2	71,6	9,7	427,5	197,3	291,7	710,0	388,8
3037		565,2	71,7	9,6	428,3	198,1	291,6	709,4	389,3
3038		565,1	71,8	9,5	428,8	198,2	290,4	709,9	390,0
3039		561,3	71,8	9,3	429,4	197,9	290,0	709,1	390,4
3040		558,9	71,8	9,2	429,7	198,3	288,9	707,5	391,4
3041		554,5	71,5	9,1	429,6	198,5	287,2	703,8	392,4
3042		547,8	71,6	8,9	430,2	198,8	285,3	699,6	393,0
3043		541,7	71,5	8,8	430,4	199,1	283,6	693,1	394,0
3044		535,4	71,8	8,8	430,0	201,0	283,4	687,2	395,0
3045		526,7	71,8	8,6	429,8	200,4	282,1	679,2	395,7
3046		521,7	71,7	8,5	429,6	199,5	281,1	672,8	396,8
3047		515,2	71,4	8,4	429,0	200,0	279,7	666,5	397,0
3048		510,8	71,5	8,3	428,1	200,1	278,8	660,1	397,2
3049		509,5	71,7	8,2	427,4	200,4	277,5	655,6	397,3
3050		508,2	71,6	8,1	426,6	199,6	277,2	652,2	397,9
3051		507,8	71,6	8,0	426,0	199,5	277,2	650,2	397,2
3052		509,6	71,8	7,9	424,3	199,5	276,2	648,8	397,8
3053		510,1	71,4	7,9	423,2	198,6	274,7	648,2	398,6
3054		507,3	71,5	7,7	422,3	198,0	273,5	647,1	399,0
3055		505,9	71,9	7,6	421,8	199,2	273,2	643,0	399,5
3056		502,5	71,9	7,5	421,2	199,9	272,6	637,8	399,9
3057		498,2	71,8	7,4	421,2	198,4	271,8	632,7	400,3
3058		491,9	71,8	7,3	420,6	199,2	271,9	627,6	401,1
3059		488,5	71,7	7,3	420,8	198,9	271,7	623,1	401,7
3060		485,1	71,7	7,2	420,5	199,3	271,2	618,0	402,5
3061		483,3	71,7	7,1	420,3	198,6	270,8	614,9	403,1
3062		482,3	71,8	6,9	420,4	198,0	269,4	613,0	403,5
3063		479,5	71,7	6,9	420,5	197,4	268,7	609,3	403,8
3064		471,4	71,8	6,8	421,1	197,3	268,1	604,1	404,0
3065		462,5	71,7	6,7	421,6	197,6	267,6	598,4	403,5
3066		453,1	71,7	6,6	422,3	197,3	267,1	591,8	402,9

3067	451,3	71,7	6,6	423,1	196,8	266,3	585,6	402,0
3068	448,6	71,7	6,4	423,8	196,6	266,3	580,7	401,2
3069	445,3	71,7	6,4	424,6	194,6	265,5	575,7	400,1
3070	443,8	71,6	6,3	425,3	194,2	264,7	572,4	399,4
3071	436,9	71,6	6,2	425,5	193,7	264,3	567,2	398,3
3072	429,6	71,6	6,2	425,9	193,3	263,6	561,7	397,2
3073	424,5	71,6	6,1	426,5	192,3	263,2	553,4	395,9
3074	418,7	71,6	6,0	426,9	191,9	262,5	546,7	394,8
3075	417,2	71,6	5,9	427,6	190,8	262,3	540,8	393,4
3076	415,9	71,5	5,9	428,1	190,4	261,7	535,3	392,0
3077	413,6	71,6	5,9	428,2	189,6	261,5	531,4	391,2
3078	412,6	71,1	5,8	428,4	188,9	261,1	526,7	390,3
3079	410,6	71,5	5,7	429,1	187,9	260,3	523,5	389,4
3080	410,1	71,5	5,7	429,8	187,5	260,0	520,1	388,5
3081	409,3	71,5	5,6	431,5	187,3	259,8	517,8	387,8
3082	409,9	71,5	5,5	432,5	187,1	258,7	515,7	387,1
3083	410,1	71,4	5,4	433,8	188,3	258,8	515,4	386,2
3084	414,5	71,5	5,4	434,3	186,5	258,4	515,7	386,6
3085	418,1	71,5	5,3	435,5	187,7	257,7	516,3	386,5
3086	420,8	71,6	5,2	437,1	187,3	256,6	517,5	386,2
3087	427,1	71,3	5,1	437,8	187,4	257,2	521,4	386,5
3088	434,3	71,4	5,1	439,1	187,6	256,9	525,8	386,2
3089	438,1	71,6	5,0	439,9	189,3	256,4	530,8	387,5
3090	440,4	71,5	4,9	441,1	189,3	256,4	533,9	388,1
3091	443,7	71,2	4,8	441,1	188,8	255,2	538,5	389,9
3092	442,8	71,5	4,8	441,7	189,0	254,7	541,5	391,7
3093	444,0	71,4	4,7	442,0	190,1	254,9	543,6	392,7
3094	442,0	71,5	4,6	441,4	190,1	253,6	544,1	395,6
3095	440,3	71,6	4,6	441,3	191,5	253,9	544,2	397,1
3096	435,5	71,6	4,5	440,6	191,9	253,7	543,2	399,2
3097	431,5	71,6	4,5	439,4	191,4	252,5	541,2	401,6
3098	430,6	71,5	4,4	439,1	191,8	252,1	538,8	402,8
3099	428,4	71,3	4,3	437,2	192,2	251,2	536,6	405,4
3100	426,1	71,4	4,3	435,5	192,3	250,1	534,2	407,5
3101	427,7	71,3	4,2	434,1	192,4	249,7	533,5	409,2
3102	430,9	71,6	4,1	432,9	194,2	249,5	534,3	411,1
3103	433,7	71,6	4,1	431,6	193,2	248,9	535,3	412,9
3104	432,2	71,6	4,0	430,5	193,9	248,4	537,8	414,5
3105	427,8	71,7	3,9	428,1	194,0	248,7	537,0	415,8
3106	426,5	70,9	3,9	427,0	193,6	247,8	535,9	418,0
3107	422,0	70,9	3,8	425,0	193,6	247,1	534,0	420,2
3108	419,6	71,3	3,7	423,5	194,0	247,1	532,2	421,9
3109	416,9	71,3	3,7	421,7	194,2	247,1	528,3	423,3
3110	413,7	71,2	3,6	419,8	195,4	246,7	525,0	425,6
3111	412,5	71,6	3,6	418,4	196,3	247,0	522,6	427,2
3112	414,1	71,0	3,5	416,8	196,0	246,8	519,1	428,5
3113	411,6	71,4	3,4	415,1	196,5	246,4	517,2	429,8
3114	409,7	71,6	3,3	413,3	197,9	246,6	515,7	430,5
3115	404,3	71,5	3,3	412,3	198,7	247,2	512,7	430,8
3116	399,9	71,4	3,2	411,6	200,1	247,4	510,8	430,6
3117	393,3	71,4	3,2	410,9	200,3	247,7	507,3	430,2
3118	387,8	71,3	3,1	410,4	199,8	247,2	502,1	429,9
3119	387,4	71,4	3,1	410,1	201,3	247,5	497,7	429,3
3120	383,1	71,2	3,0	410,2	201,7	249,2	493,6	427,8
3121	381,5	71,1	3,0	409,9	201,7	250,1	489,3	426,1
3122	376,8	71,4	3,0	410,6	202,6	250,1	485,5	424,3
3123	375,6	70,9	2,9	411,2	201,6	250,1	481,7	422,2
3124	373,8	71,0	2,9	412,1	201,9	250,6	479,1	419,9
3125	362,3	71,2	2,8	412,9	202,3	251,1	473,4	417,1
3126	359,8	71,3	2,8	413,8	201,3	251,9	468,7	414,5
3127	357,9	71,0	2,7	414,5	201,5	251,9	464,4	412,2
3128	354,9	71,2	2,7	414,4	201,5	252,1	459,0	410,0
3129	346,0	71,3	2,6	414,8	202,1	253,0	454,0	407,2
3130	339,1	71,2	2,6	414,1	201,8	253,5	447,9	405,2
3131	333,7	71,3	2,6	413,6	201,4	254,0	441,8	402,9
3132	328,8	71,2	2,6	412,0	200,2	254,8	435,1	400,6
3133	321,1	71,3	2,5	410,5	201,0	255,6	428,4	398,2
3134	314,1	71,2	2,5	408,6	199,4	255,9	421,6	396,1
3135	308,5	71,2	2,5	406,7	199,2	256,8	415,4	393,6
3136	304,4	70,9	2,5	404,0	196,8	257,1	409,3	390,8
3137	299,9	71,2	2,4	401,8	196,8	257,1	403,5	388,5
3138	296,4	70,9	2,4	399,6	196,3	257,5	397,9	386,0
3139	293,7	70,8	2,4	396,9	195,5	257,6	393,0	383,5
3140	290,5	70,9	2,4	394,5	194,0	258,8	388,1	380,7
3141	286,8	70,7	2,3	392,4	193,7	258,7	383,9	378,5
3142	284,1	71,0	2,3	390,4	192,4	259,4	379,3	376,1
3143	280,6	70,7	2,3	387,7	191,5	259,4	375,0	374,0
3144	277,0	70,8	2,3	385,6	191,4	260,1	371,5	371,7
3145	275,6	70,9	2,2	383,6	190,4	260,4	367,4	369,6
3146	273,6	71,0	2,2	381,4	188,9	261,1	363,6	367,3
3147	270,8	70,8	2,2	379,7	189,7	261,4	360,3	365,3
3148	269,1	70,6	2,2	377,7	188,5	261,5	356,6	363,5
3149	268,4	70,8	2,1	375,9	187,4	261,8	354,1	361,5
3150	266,5	70,8	2,1	374,2	187,0	263,2	351,4	359,6
3151	263,9	70,9	2,1	372,0	185,6	262,5	348,5	357,8
3152	261,4	70,6	2,1	370,3	185,5	261,9	345,2	356,4
3153	260,6	69,9	2,0	367,7	185,8	262,5	342,7	353,6
3154	259,3	65,7	2,0	365,3	183,4	262,7	340,4	350,4
3155	257,9	62,5	2,0	363,6	182,4	262,0	337,3	348,2
3156	256,4	60,9	2,0	361,5	180,9	261,8	334,9	345,8
3157	255,7	60,0	2,0	359,8	179,8	261,2	332,5	344,1
3158	253,4	59,8	2,0	358,1	179,2	260,9	330,6	341,9
3159	252,7	59,2	1,9	356,0	178,0	260,0	328,5	340,1

3160	252,4	60,5	1,9	355,3	176,7	259,9	327,0	339,0
3161	251,0	62,1	1,9	353,7	177,0	259,2	325,2	339,0
3162	248,9	63,5	1,9	352,7	177,0	259,4	323,9	337,9
3163	249,3	64,7	1,8	351,7	174,8	258,9	322,5	338,0
3164	246,0	65,9	1,8	350,5	177,0	259,7	321,6	336,6
3165	246,9	66,4	1,8	350,1	176,8	260,3	320,4	335,9
3166	247,0	67,0	1,8	349,3	176,9	259,9	319,1	336,3
3167	246,0	67,6	1,8	348,3	177,2	259,8	317,8	336,4
3168	245,5	68,0	1,8	347,3	176,5	260,4	316,6	336,3
3169	244,6	68,4	1,7	346,3	176,7	260,8	315,4	336,0
3170	244,4	68,7	1,7	345,6	176,7	260,9	314,4	335,8
3171	243,7	68,9	1,7	344,8	176,2	260,9	313,3	335,7
3172	243,2	69,1	1,7	343,9	175,2	261,0	312,7	335,3
3173	241,9	69,3	1,7	343,2	174,9	260,9	311,7	335,2
3174	242,1	69,5	1,7	342,2	175,7	261,6	310,8	334,6
3175	241,5	69,5	1,7	341,3	175,6	261,8	309,6	334,5
3176	240,7	69,5	1,6	340,5	175,6	262,1	308,8	334,3
3177	239,6	69,5	1,6	339,5	175,6	262,3	308,0	333,7
3178	238,2	69,7	1,6	338,6	175,4	263,2	306,9	333,0
3179	238,0	69,6	1,6	338,1	175,3	263,7	306,2	332,8
3180	237,9	69,8	1,6	337,0	175,7	263,6	305,0	333,0
3181	238,1	69,8	1,5	336,7	175,6	263,3	304,5	333,1
3182	237,2	70,1	1,5	335,5	175,1	263,6	303,3	332,9
3183	236,6	69,8	1,5	334,5	174,5	264,0	302,7	332,0
3184	235,9	69,7	1,5	333,6	175,1	263,1	301,8	332,5
3185	235,0	70,0	1,5	333,0	175,4	264,3	300,7	332,3
3186	235,4	69,9	1,5	332,5	176,2	264,1	300,0	332,2
3187	233,7	69,6	1,5	331,7	176,4	264,0	299,2	332,2
3188	233,1	69,8	1,5	331,2	177,2	264,2	298,4	332,0
3189	233,2	69,9	1,4	330,3	177,3	264,6	297,5	332,0
3190	232,6	69,9	1,4	329,6	177,8	264,8	296,8	331,7
3191	232,6	69,9	1,4	329,1	178,7	265,0	295,8	331,4
3192	233,0	69,8	1,4	328,5	179,4	264,9	295,6	331,2
3193	233,4	69,9	1,4	327,6	180,5	265,3	294,9	331,1
3194	233,4	69,8	1,3	327,0	182,2	265,2	294,8	331,0
3195	232,7	69,8	1,3	326,3	182,1	265,1	295,0	330,8
3196	232,5	70,0	1,3	325,7	182,8	266,3	294,6	330,3
3197	232,9	69,9	1,3	325,0	183,7	266,2	294,5	330,3
3198	233,1	69,9	1,3	324,7	184,2	266,4	294,2	330,1
3199	232,6	69,9	1,3	324,1	185,0	266,7	293,8	330,1
3200	232,3	69,8	1,3	323,5	185,1	266,9	293,3	329,9
3201	231,2	69,8	1,2	323,0	185,4	267,0	293,0	329,9
3202	231,5	69,9	1,2	322,7	185,2	267,2	292,3	329,7
3203	231,5	69,9	1,2	322,0	185,5	267,4	292,1	329,7
3204	230,9	70,0	1,2	321,7	185,0	267,3	291,5	329,4
3205	230,5	70,0	1,2	321,2	185,9	267,9	291,2	329,2
3206	229,9	69,7	1,2	320,8	187,0	267,4	290,7	329,1
3207	230,8	69,8	1,1	320,4	187,1	267,8	290,5	329,1
3208	231,0	69,8	1,1	320,2	188,2	268,3	290,2	328,8
3209	230,8	69,9	1,1	319,6	186,8	268,0	289,9	328,7
3210	229,7	69,9	1,1	318,9	187,8	268,8	289,7	328,3
3211	229,1	69,9	1,1	318,7	187,2	268,7	289,1	328,1
3212	228,5	69,8	1,1	318,3	186,9	268,7	288,5	328,0
3213	228,3	69,9	1,1	317,9	188,1	268,5	287,8	327,8
3214	227,7	69,8	1,1	317,9	187,8	268,5	287,5	327,7
3215	227,2	70,0	1,0	317,7	187,6	268,8	286,7	327,3
3216	226,2	69,6	1,0	317,6	187,2	268,8	286,1	327,1
3217	226,9	69,6	1,0	317,5	188,0	269,4	285,3	327,0
3218	226,3	69,8	1,0	317,7	188,9	269,6	284,9	326,7
3219	226,8	69,8	1,0	317,3	190,0	269,8	284,3	326,3
3220	226,9	69,9	1,0	316,9	189,8	270,3	284,0	326,0
3221	225,9	69,9	1,0	316,7	190,7	270,3	283,6	325,8
3222	226,1	70,0	1,0	316,4	190,9	270,3	283,2	325,5
3223	226,1	70,1	0,9	316,1	191,6	270,2	283,3	325,2
3224	226,8	70,1	0,9	316,0	192,5	270,8	283,0	324,3
3225	226,1	69,9	0,9	315,6	193,5	270,6	282,9	324,7
3226	226,0	69,7	0,9	315,0	194,6	270,7	282,5	324,5
3227	224,5	69,8	0,9	314,3	194,6	270,9	282,0	324,2
3228	224,9	69,8	0,8	313,6	195,0	270,9	281,4	324,2
3229	224,8	69,9	0,8	313,0	196,2	271,3	281,0	323,8
3230	224,6	69,8	0,8	312,3	196,0	271,5	280,6	323,5
3231	224,5	70,1	0,8	311,5	196,6	272,0	280,3	323,2
3232	224,1	69,8	0,8	310,9	197,9	271,5	280,0	323,0
3233	224,1	69,7	0,8	310,3	198,3	271,2	279,6	322,7
3234	223,9	69,8	0,7	309,7	199,6	271,8	279,5	322,2
3235	224,0	69,9	0,7	309,2	199,4	272,9	279,5	321,5
3236	223,7	70,1	0,7	308,4	200,9	273,8	279,1	321,4
3237	223,8	69,9	0,7	307,7	201,5	273,6	278,9	321,2
3238	223,7	70,1	0,7	307,4	203,1	274,1	278,6	320,7
3239	223,4	70,0	0,7	306,8	203,8	273,7	278,2	320,7
3240	224,1	70,1	0,7	306,0	204,1	274,1	278,3	320,4
3241	224,7	70,0	0,6	305,1	203,9	275,2	278,5	319,9
3242	225,1	69,8	0,6	304,7	205,0	275,2	278,9	319,8
3243	224,9	69,8	0,6	304,4	205,8	275,1	279,1	319,9
3244	224,7	69,8	0,6	304,0	205,4	274,9	279,0	319,9
3245	224,5	69,8	0,6	304,0	205,5	275,7	279,2	319,8
3246	225,2	69,7	0,6	303,8	205,0	277,3	279,0	319,5
3247	224,4	69,8	0,5	303,9	204,3	276,8	278,6	319,4
3248	223,5	69,9	0,5	303,8	204,9	276,5	278,4	319,2
3249	222,6	69,8	0,5	303,8	204,8	277,4	278,2	319,0
3250	223,0	69,9	0,5	304,0	204,7	277,8	277,8	318,9
3251	222,8	70,0	0,5	304,2	204,6	277,9	277,3	318,4
3252	222,5	69,9	0,4	304,0	205,5	278,1	277,0	318,4



3253	221,7	70,0	0,4	304,1	205,9	278,1	276,5	318,3
3254	221,2	69,9	0,4	304,1	204,9	277,9	275,7	318,2
3255	220,5	69,7	0,4	303,8	204,8	277,7	275,1	318,1
3256	220,3	69,5	0,4	303,5	203,9	277,6	274,3	317,8
3257	219,4	69,7	0,4	303,3	202,7	278,2	273,7	317,5
3258	219,5	69,6	0,4	303,0	202,9	278,1	273,3	317,3
3259	218,9	69,9	0,4	302,4	202,3	278,0	272,7	316,7
3260	219,6	69,8	0,3	302,2	200,9	278,2	272,4	316,5
3261	219,0	69,7	0,3	301,8	201,3	279,0	272,0	316,0
3262	218,1	69,9	0,3	301,3	200,7	278,2	271,6	316,1
3263	218,5	69,7	0,3	301,0	200,3	278,7	270,8	315,7
3264	218,4	69,8	0,3	300,7	199,5	278,5	270,3	315,5
3265	217,6	69,7	0,3	300,3	198,9	278,7	269,9	315,3
3266	216,7	69,9	0,3	300,2	198,5	278,6	269,5	315,0
3267	216,0	69,9	0,3	300,0	197,0	278,1	268,8	314,9
3268	216,9	70,0	0,3	299,6	196,7	278,2	268,3	314,5
3269	215,3	69,9	0,3	299,1	196,6	278,5	267,5	314,4
3270	215,3	69,8	0,3	298,6	196,6	279,0	266,9	314,2
3271	214,7	69,8	0,2	298,1	196,4	279,0	266,1	314,0
3272	214,1	69,7	0,2	297,8	196,1	278,5	265,3	313,8
3273	214,3	69,6	0,2	297,2	195,7	278,8	264,5	313,6
3274	213,7	69,8	0,2	296,4	194,9	278,7	263,7	313,2
3275	212,4	69,7	0,2	296,2	195,0	278,1	263,3	313,0
3276	212,8	69,8	0,2	295,1	196,3	279,5	262,5	312,4
3277	211,8	69,8	0,2	294,8	194,5	279,7	262,0	312,0
3278	211,4	70,1	0,1	294,3	193,8	279,3	261,7	311,6
3279	210,6	70,0	0,1	293,9	193,0	279,9	261,2	311,0
3280	210,0	69,9	0,1	293,2	193,2	279,3	260,3	310,7
3281	209,7	69,9	0,1	292,6	193,2	279,7	259,4	310,1
3282	209,5	69,9	0,1	292,2	192,6	279,8	258,7	309,6
3283	208,4	69,8	0,1	291,5	193,6	280,0	257,8	309,4
3284	207,6	69,7	0,1	290,8	193,9	279,5	257,1	309,3
3285	207,1	69,7	0,0	290,2	192,9	279,4	256,5	308,9
3286	207,4	69,7	0,0	289,6	193,1	279,4	255,9	308,5
3287	207,1	69,6	0,0	289,0	193,6	280,1	255,3	308,0
3288	206,0	69,7	0,0	288,3	193,2	279,5	254,9	307,7
3289	205,9	69,6	0,0	287,9	193,3	279,8	254,6	307,1

## APPENDIX 5: Participants

**Danick Power ing.**  
v-p operation  
**Services Polytests inc.**  
450.741.3636  
[www.polytests.com](http://www.polytests.com)

**Maxime Martin**  
Technicien  
**Services Polytests inc.**  
450.741.3636  
[www.polytests.com](http://www.polytests.com)

## APPENDIX 6: Drawings and specifications



## APPENDIX 7: Operator's manual

# Owner's Instruction and Operation Manual

**UNITED STATES  
STOVE CO.**

EST<sup>®</sup> 1869

Model Number:

US1100E-P • US1100E-BP

US1100E-L • US1100E-BL



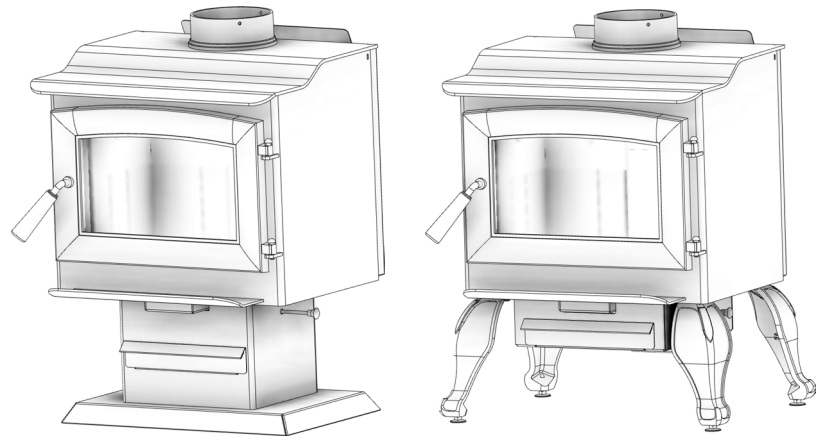
Report Number: F19-473

Tested Per EPA Methods ASTM E2515, ASTM E3053-ATM and CSA B415

Certified to UL 1482-2022 and CAN/ULC S627:2023

Mobile home/transportable buildings approved

USA & Canada



\* All Pictures In This Manual Are For Illustrative Purposes Only. Actual Product May Vary.

853362K-1204M

Save These Instructions In A Safe Place For Future Reference.



**SAFETY NOTICE:** If this heater is not properly installed, a house fire may result. For your safety, follow the installation instructions. Never use make-shift compromises during the installation of this heater. Contact local building or fire officials about permits, restrictions and installation requirements in your area. **NEVER OPERATE THIS PRODUCT WHILE UNATTENDED.**



**CAUTION!** Please read this entire manual before you install or use your new room heater. Failure to follow instructions may result in property damage, bodily injury, or even death. Improper Installation Will Void Your Warranty!

## U.S. Environmental Protection Agency

Certified to comply with 2020 particulate emissions standards.



## CALIFORNIA PROPOSITION 65 WARNING:

This product can expose you to chemicals including carbon monoxide, which is known to the State of California to cause cancer, birth defects, and/or other reproductive harm. For more information, go to [www.P65warnings.ca.gov](http://www.P65warnings.ca.gov)

THIS MANUAL IS SUBJECT TO CHANGE WITHOUT NOTICE.

This manual describes the installation and operation of the Defender II, US1100E wood heater. This heater meets the 2020 U.S. Environmental Protection Agency’s cordwood emission limits for wood heaters sold after May 15, 2020. Under specific test conditions this heater has been shown to deliver heat at rates ranging from 13,846 to 39,683 Btu/hr with 2.4 g/hr and 66% efficiency. Note: The BTU ratings mentioned above are based on the EPA test protocol under specific test conditions. Our advertised BTU’s are based on the first hour of operation at high burn rate burning dry cordwood.

Combustible:	Wood			
Colors:	Black			
Flue Pipe Diameter:	6” (153 mm)			
Flue Pipe Type:	Black or Blued Steel 2100°F (650°C)			
Minimum Chimney Height:	12’ (3.7 m)			
Maximum Log Length:	18” (458 mm)			
Electrical:	120VAC, 0.55A, 60Hz			
Dimensions				
	MODEL	DEPTH	WIDTH	HEIGHT
Overall: Depth x Width x Height:	US1100E (Leg)	21.3” (542 mm)	24.5” (623 mm)	30.9” (785 mm)
	US1100E (Pedestal)	21.1” (536 mm)	22.5” (572 mm)	31.7” (806 mm)
Combustion Chamber: Width x Depth:	18.25” x 11.5” (464 mm X 293 mm)			
Firebox Volume: Cubic Feet:	1.31 cubic feet			
Door Opening: Width x Height:	16” x 9” (407 mm X 229 mm)			
Pyroceramic Glass Door: (Viewing) Width x Height:	14.4” x 7.9” (366 mm X 201 mm)			

### CAUTIONS:

- **HOT WHILE IN OPERATION. KEEP CHILDREN, CLOTHING AND FURNITURE AWAY. CONTACT MAY CAUSE SKIN BURNS.**
- **DO NOT USE CHEMICALS OR FLUIDS TO IGNITE THE FIRE.**
- **DO NOT LEAVE THE STOVE UNATTENDED WHEN THE DOOR IS SLIGHTLY OPENED.**
- **DO NOT BURN GARBAGE, FLAMMABLE FLUID SUCH AS GASOLINE, NAPHTHA OR MOTOR OIL.**
- **DO NOT CONNECT TO ANY AIR DISTRIBUTION DUCT OR SYSTEM.**
- **ALWAYS CLOSE THE DOOR AFTER THE IGNITION.**



**Note:** Register your product online at [www.usstove.com](http://www.usstove.com) or download the free app today. This app is available only on the App Store for iPhone and iPad. Search US Stove. Save your receipt with your records for any claims.

**For Customer Service, please call:**  
**1-800-750-2723 Ext 5050 or;**  
**Text to 423-301-5624 or;**  
**Email us at:**  
**customerservice@usstove.com**

# INSTALLATION CHECKLIST



Your Wood Stove should be installed by a qualified installer only. An NFI qualified Installer can be found at [www.nficertified.org/public/find-an-nfi-pro/](http://www.nficertified.org/public/find-an-nfi-pro/)

## CUSTOMER SERVICE

1-800-750-2723 ext 5050  
Text to 423-301-5624  
Email to: [Customerservice@usstove.com](mailto:Customerservice@usstove.com)

## COMMISSIONING CHECKLIST

This checklist is to be completed in full by the qualified person who installs this unit. Keep this page for future reference. Failure to install and commission according to the manufacturer's instructions and complete this checklist will invalidate the warranty.

Please Print

Customer Name:	Telephone Number:
Address:	
Model:	
Serial Number:	
Installation Company Name:	Phone Number:
Installation Technician's Name:	License Number:

## DESCRIPTION OF WORK

Location of installed appliance: \_\_\_\_\_

Chimney System: New Chimney System  Yes  No If yes, Brand \_\_\_\_\_

If no, Date of inspection of the existing chimney system: \_\_\_\_\_

## COMMISSIONING

- Confirm Hearth Pad Installation as per Installation Instructions.....
- Confirm proper placement of internal parts.....
- Check soundness of door gasket and door seals .....
- Confirm clearances to combustibles as per installation instructions in this manual .....
- Check the operations of the air controls.....
- Confirm all flue pipe and chimney system are secure and sealed.....
- Confirm the stove properly drafts when fired.....
- Check to ensure a CO alarm is installed as per local building codes and is functional .....
- Explain the safe operation, proper fuel usage, cleaning and routine maintenance requirements.....

Declaration of Completion: As the qualified person responsible for the work described above, I confirm that the appliance as associated work has been installed as per manufacturer's instructions and following any applicable building and installation codes.

Signed: \_\_\_\_\_ Print Name: \_\_\_\_\_ Date: \_\_\_\_\_

**Home Owner: RETAIN THIS INFORMATION FOR FUTURE REFERENCE**



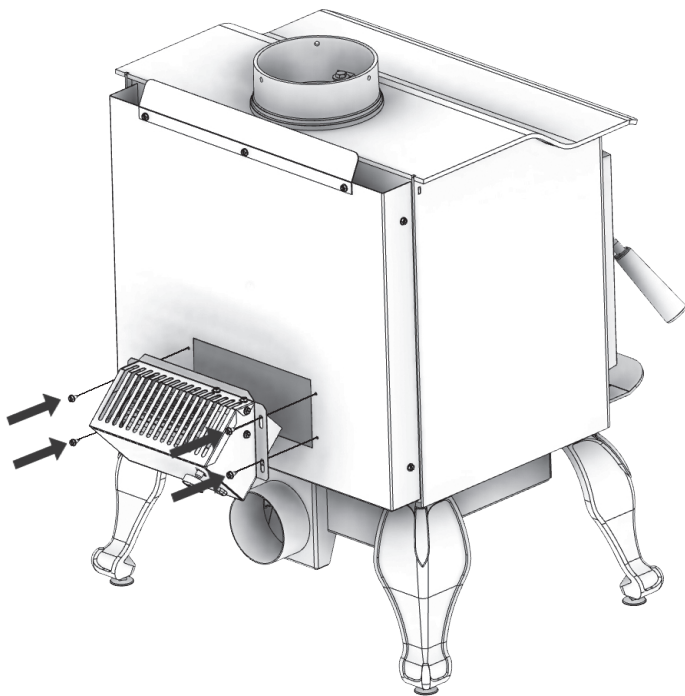
**FOR CUSTOMER SERVICE CALL: 800-750-2723 EXT 5050**

## TOOLS AND MATERIALS

You will need a drill with a 1/8" bit to install sheet metal screws into connector pipe. A 5/16" socket/wrench or screw driver to install the room air deflector, and blower assembly described. A 1/2" socket/wrench to install flue collar. A non-combustible floor protector as specified in this manual. All chimney and chimney connector components required for your particular chimney installation. For mobile home/transportable buildings see the "For Use In Mobile Home/Transportable Buildings" section of this manual.

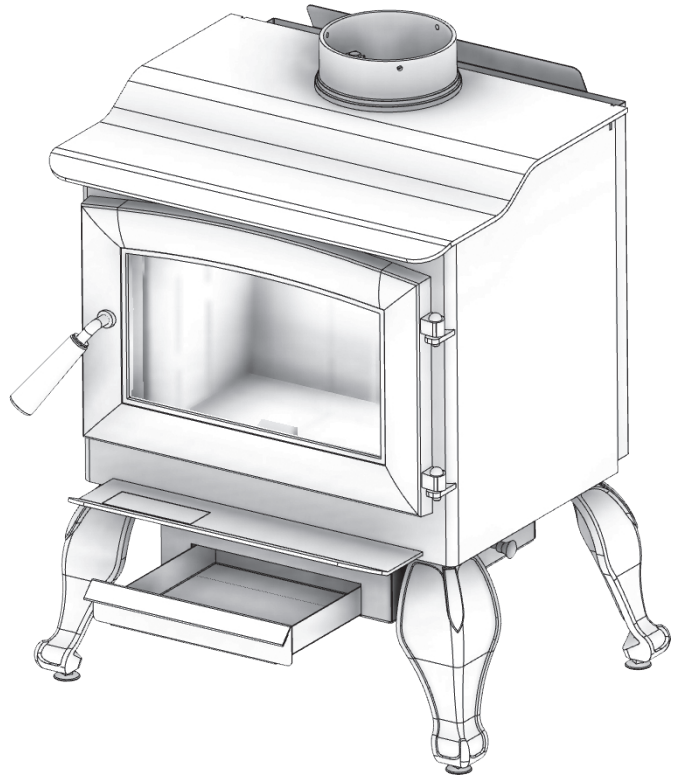
## BLOWER ASSEMBLY

The blower assembly must be disconnected from the source of electrical supply before attempting the installation. The blower assembly is intended for use only with a stove that is marked to indicate such use. Do not route the supply cord near or across hot surfaces! Fix the assembly to the back of the stove with the four screws provided.



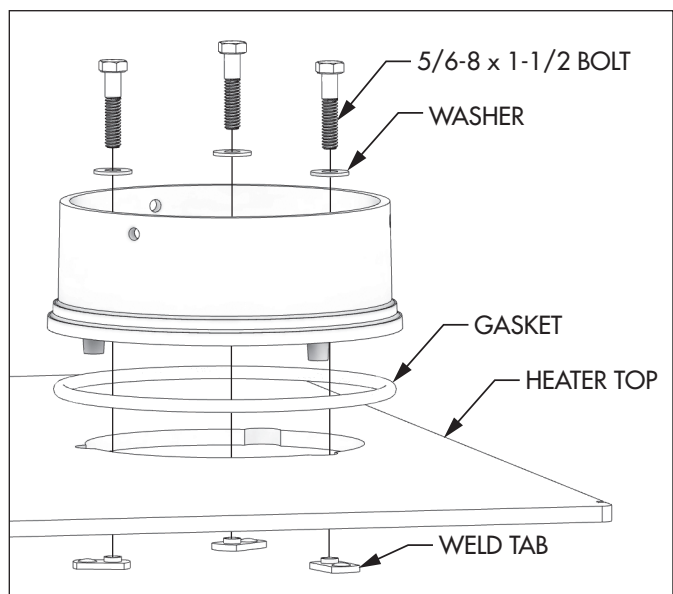
## ASH PAN ASSEMBLY

Remove ash pan from firebox. Under the firebox, there are two brackets; Slide the ash pan into these brackets.



## FLUE COLLAR ASSEMBLY

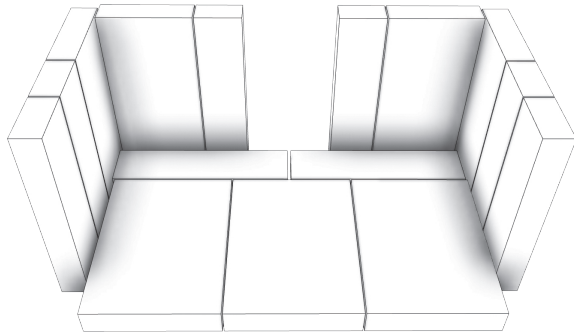
Mount the flue collar to the top of the unit as shown using the (3) 5/16-18 x 1-1/2 bolts, (3) washers, and (3) weld tabs provided in the parts box.



# ASSEMBLY INSTRUCTIONS

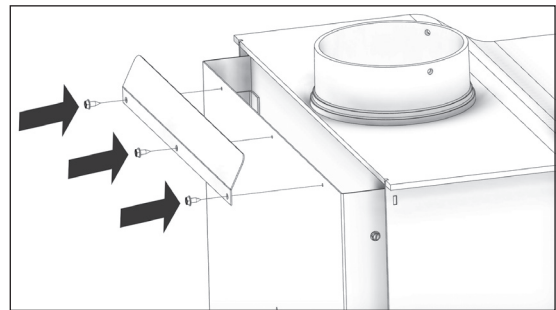
## FIREBRICK CONFIGURATION

Replace the Firebrick as shown in the illustration.



## AIR DEFLECTOR ASSEMBLY

Use the provided screws to attach the air deflector to the rear of the unit.



# INSTALLATION

### SAFETY NOTICE

- **IF THIS STOVE IS NOT PROPERLY INSTALLED, A HOUSE FIRE MAY RESULT. TO REDUCE THE RISK OF FIRE, FOLLOW THE INSTALLATION INSTRUCTIONS.**
- **CONSULT YOUR MUNICIPAL BUILDING DEPARTMENT OR FIRE OFFICIALS ABOUT PERMITS, RESTRICTIONS AND INSTALLATIONS REQUIREMENTS IN YOUR AREA.**
- **USE SMOKE DETECTORS IN THE ROOM WHERE YOUR STOVE IS INSTALLED.**
- **KEEP FURNITURE AND DRAPES WELL AWAY FROM THE STOVE.**
- **NEVER USE GASOLINE, GASOLINE-TYPE LANTERN FUEL, KEROSENE, CHARCOAL LIGHTER FLUID, OR SIMILAR LIQUIDS TO START OR "FRESHEN UP" A FIRE IN THIS HEATER. KEEP ALL SUCH LIQUIDS WELL AWAY FROM THE HEATER WHILE IT IS IN USE.**
- **IN THE EVENT OF A CHIMNEY FIRE, PUSH THE AIR CONTROL FULL CLOSED TO DEPRIVE THE FIRE OF OXYGEN. CALL THE FIRE DEPARTMENT.**
- **DO NOT CONNECT TO ANY AIR DISTRIBUTION DUCT OR SYSTEM.**
- **A SOURCE OF FRESH AIR INTO THE ROOM OR SPACE HEATED SHALL BE PROVIDED WHEN REQUIRED.**
- **THIS ROOM HEATER SHALL NOT BE INSTALLED IN A FACTORY BUILT FIREPLACE.**



We recommend that our woodburning hearth products be installed and serviced by professionals who are certified in the U.S. by the National Fireplace Institute® (NFI) as NFI Woodburning Specialists or who are certified in Canada by Wood Energy Technical Training (WETT).



US Stove highly recommends your stove be installed by a qualified NFI (US) or WETT (Canada) technician. To find the nearest qualified installer, go to:

<https://nficertified.org>,

<https://www.wettinc.ca/>

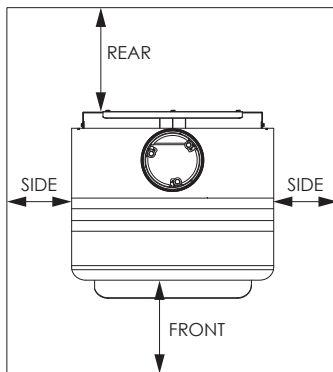
## POSITIONING THE STOVE

It is very important to position the wood stove as close as possible to the chimney, and in an area that will favor the most efficient heat distribution possible throughout the house. The stove must therefore be installed in the room where the most time is spent, and in the most spacious room possible. Recall that wood stoves produce radiating heat, the heat we feel when we are close to a wood stove. A wood stove also functions by convection, that is through the displacement of hot air accelerated upwards and its replacement with cooler air. If necessary, the hot air distribution from the stove may be facilitated by the installation of a blower. The wood stove must not be hooked up to a hot air distribution system since an excessive accumulation of heat may occur. A wood stove must never be installed in a hallway or near a staircase, since it may block the way in case of fire or fail to respect required clearances.

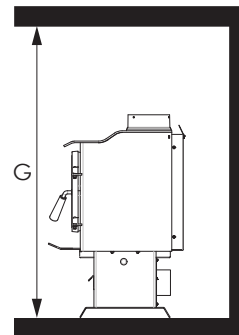
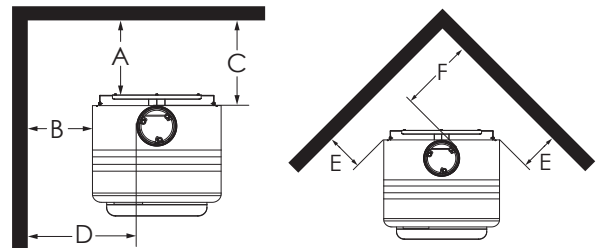
**FOR CUSTOMER SERVICE CALL: 800-750-2723 EXT 5050**

## FLOOR PROTECTOR

This heater must have a non-combustible floor protector (ember protection) installed beneath it if the floor is of combustible material. If a floor pad is used, it should be UL listed or equal. The floor pad or non-combustible surface should be large enough to extend under the stove and beyond each side as indicated. If there is a horizontal run of flue pipe, there needs to be floor protection under it that extends two inches beyond either side of the pipe.



Front	*16" (407 mm)
Sides	8" (204 mm)
Rear	2" (51 mm)
*Canadian Installations require 18" (457 mm)	



Key	in	mm
A	17	432
B	21	534
C	20	508
D	29	737
E	14	356
F	22	559
G	7 ft	2.13 m

## CLEARANCES TO COMBUSTIBLES

It is of utmost importance that the clearances to combustible materials be strictly adhered to during installation of the stove.

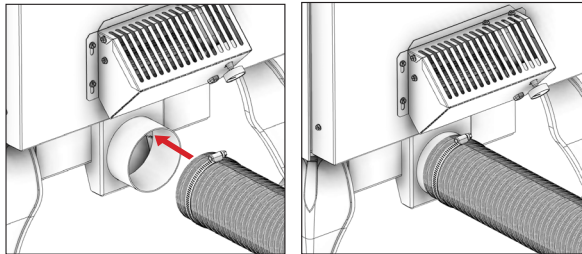
- Do not place any combustible material within 4' (1.2m) of the front of the unit.
- The clearance between the flue pipe and a wall are valid only for vertical walls and for vertical flue pipe.
- The chimney connector must not pass through an attic or roof space, closet or similar concealed space, a floor, or a ceiling.
- For Canadian installations, where passage through a wall, or partition of combustible construction is desired, the installation must conform to CAN/CAN/ULC-S629.
- A flue pipe crossing a combustible wall must have a minimum clearance of 18" (457.2 mm).
- To reduce flue clearances from combustible materials, contact your local safety department.
- Floor to ceiling height must be at least 7' (2.13m).

## OUTSIDE COMBUSTION AIR

Your wood stove is approved to be installed with an outside air intake (4FAK) which is necessary for a mobile home/transportable buildings. This type of installation is also required in air tight houses and houses with negative pressure problems. You can purchase this option through your heater dealer. Make sure to specify the part number mentioned in this booklet. Installation instructions are supplied with the air intake kit. Outside combustion air may be required if:

1. Your stove does not draw steadily, smoke roll-out occurs, wood burns poorly, or back-drafts occur whether or not there is combustion present.
2. Existing fuel-fired equipment in the house, such as fireplaces or other heating appliances, smell, do not operate properly, suffer smoke roll-out when opened, or back-drafts occur whether or not there is combustion present.
3. Opening a window slightly on a calm (windless) day alleviates any of the above symptoms.

4. The house is equipped with a well-sealed vapor barrier and tight fitting windows and/or has any powered devices that exhaust house air.
5. There is excessive condensation on windows in the winter.
6. A ventilation system is installed in the house.



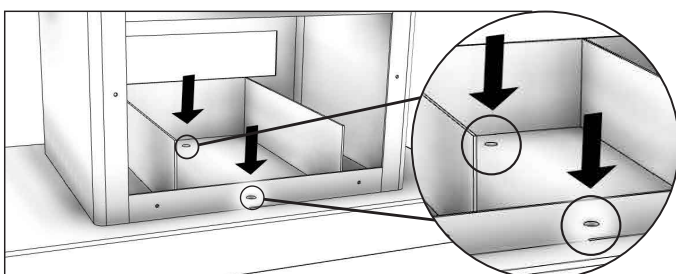
Slide the hose clamp over the aluminium flex pipe. Then slide the flex pipe over the air intake tube of the stove. Next tighten the hose clamp over the end of the aluminium flex hose.

### FOR USE IN MOBILE HOME/TRANSPORTABLE BUILDINGS

- **WARNING! DO NOT INSTALL IN SLEEPING ROOM.**
- **CAUTION! THE STRUCTURAL INTEGRITY OF THE MOBILE HOME/TRANSPORTABLE BUILDINGS FLOOR, WALL, AND CEILING/ROOF MUST BE MAINTAINED.**
- **INSTALL IN ACCORDANCE WITH 24 CFR, PART 3280 (HUD).**
- **USE A FACTORY BUILT CHIMNEY THAT COMPLIES WITH UL 103 STANDARDS; THEREFORE IT MUST BE A TYPE HT (2100°F).**
- **USE A SPARK ARRESTER.**
- **THE STOVE MUST BE ATTACHED TO THE STRUCTURE OF THE MOBILE HOME/TRANSPORTABLE BUILDINGS.**

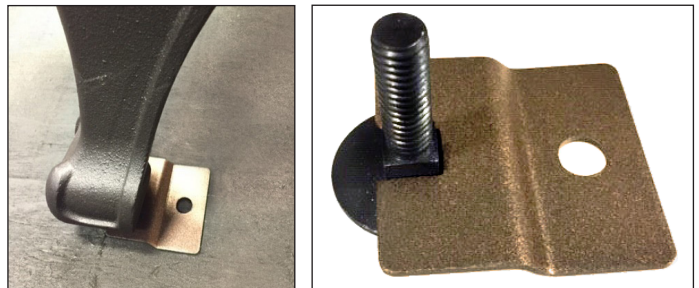
### SECURING APPLIANCE'S ON A PEDESTAL TO THE FLOOR

Use the designated holes to secure the unit to the floor.



### SECURING APPLIANCE'S WITH LEGS TO THE FLOOR

1. The bracket engages around the square extrusion of the leveling bolt inserted into the leg.
2. Once appliance is leveled, position the bracket and attach to the floor using the appropriate hardware needed for your specific flooring.
3. Install one bracket per leg or consult your local authority having jurisdiction to determine how many points of attachment are required.



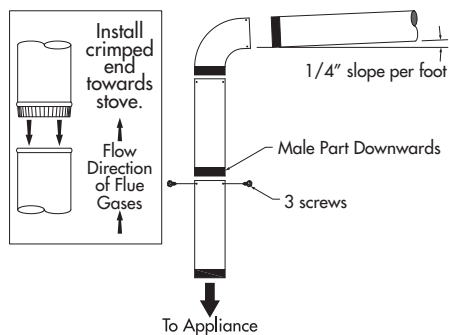
In addition to the previously detailed installation requirements, mobile home/transportable buildings installations must meet the following requirements:

- The space heater is to be connected to a factory-built chimney conforming to CAN/ULC-S629, Standard for 650°C Factory-Built Chimneys.
- The heater must be permanently attached to the floor. There are two holes in the pedestal base, use 3/8" bolts through the floor.
- The heater must be electrically grounded to the steel chassis of the mobile home/transportable buildings with 8 GA copper wire using a serrated or star washer to penetrate paint or protective coating to ensure grounding.
- When moving your mobile home/transportable buildings, all exterior venting must be removed while the mobile home/transportable buildings is being relocated. After relocation, all venting must be reinstalled and securely fastened.
- Outside Air is mandatory for mobile home/transportable buildings installation. See your dealer for purchasing.
- Check with your local building officials as other codes may apply.
- Only use the specified components listed in this manual for this unit. The use of components that are not meant for this unit can cause unsafe conditions.



## CHIMNEY CONNECTOR (STOVE PIPE)

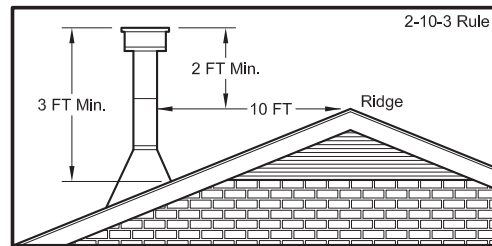
The chimney connector and chimney must have the same diameter as the stove outlet (6"). If this is not the case, we recommend you contact your dealer to ensure there will be no problem with the draft. The stovepipe must be made of aluminized or cold roll steel and have a minimum thickness of 0.021" or 0.53 mm. It is strictly forbidden to use galvanized steel. The smoke pipe should be assembled to promote the male section (crimped end) of the pipe to be faced down. Attach each section to another with three metal screws spaced an equal distance apart. The pipe must be short and straight. All sections installed horizontally must slope at least 1/4 inch per foot, with the upper end of the section toward the chimney. Any installation with a horizontal run of chimney pipe must conform to NFPA 211. To ensure a good draft, the total length of the coupling pipe should never exceed 8' to 10' (2.4m to 3.04m). Except for cases of vertical installation, in a cathedral-roof style where the smoke exhaust system can be much longer and connected without problem to the chimney at the ceiling of the room. There should never be more than two 90 degree elbows in the smoke exhaust system. The installation of a "barometric draft stabilizer" (fireplace register) on a smoke exhaust system is prohibited. Furthermore, the installation of a draft damper is not recommended. With a controlled combustion wood stove, the draft is regulated upon intake of the combustion air in the stove and not at the exhaust.



## IMPORTANCE OF PROPER DRAFT

Draft is a force that moves air from the appliance up through the chimney. The amount of draft in your chimney depends on the length of the chimney, local geography, nearby obstructions and other factors. Too much draft may cause excessive temperatures in the appliance. An inadequate draft may cause back-puffing into the room and "plugging" of the chimney. An inadequate draft will cause the appliance to leak smoke into the room through appliance and chimney connector joints. An uncontrollable burn or excessive temperature indicates an excessive draft.

## CHIMNEY

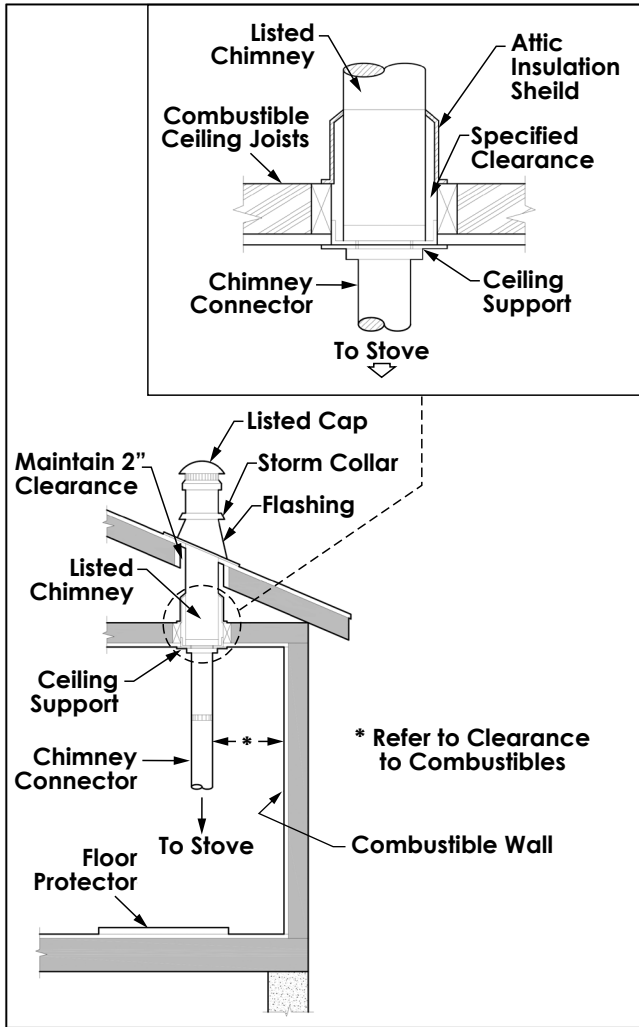


Your wood stove may be hooked up with a 6" factory-built or masonry chimney. If you are using a factory-built chimney, it must comply with UL 103 or CAN/ULC-S629 standard; therefore it must be a Type HT (2100°F). It must be installed according to the manufacturer's specifications. Take into account the chimney's location to ensure it is not too close to neighbors or in a valley which may cause unhealthy or nuisance conditions. If you are using a masonry chimney, it must be built in compliance with the specifications of the National Building Code. It must be lined with fire clay bricks, metal or clay tiles sealed together with fire cement. Round flues are the most efficient. The interior diameter of the chimney flue must be identical to the stove smoke exhaust. A flue which is too small may cause draft problems, while a large flue favors rapid cooling of the gas, and hence the build-up of creosote and the risk of chimney fires. Note that it is the chimney and not the stove which creates the draft effect; your stove's performance is directly dependent on an adequate draft from your chimney. **Do not connect this unit to a chimney flue serving another appliance.** The following recommendations may be useful for the installation of your chimney:

1. It must rise above the roof at least 3' (0.9m) from the uppermost point of contact.
2. The chimney must exceed any part of the building or other obstruction within a 10' (3.04m) distance by a height of 2' (0.6m).
3. The installation of an interior chimney is always preferable to an exterior chimney. Indeed, the interior chimney will, by definition, be hotter than an exterior chimney, being heated up by the ambient air in the house. Therefore the gas which circulates will cool more slowly, thus reducing the build-up of creosote and the risk of chimney fires.
4. The draft caused by the tendency for hot air to rise will be increased with an interior chimney.
5. Using a fire screen at the extremity of the chimney requires regular inspection to ensure that it is not obstructed thus blocking the draft, and it should be cleaned when used regularly.

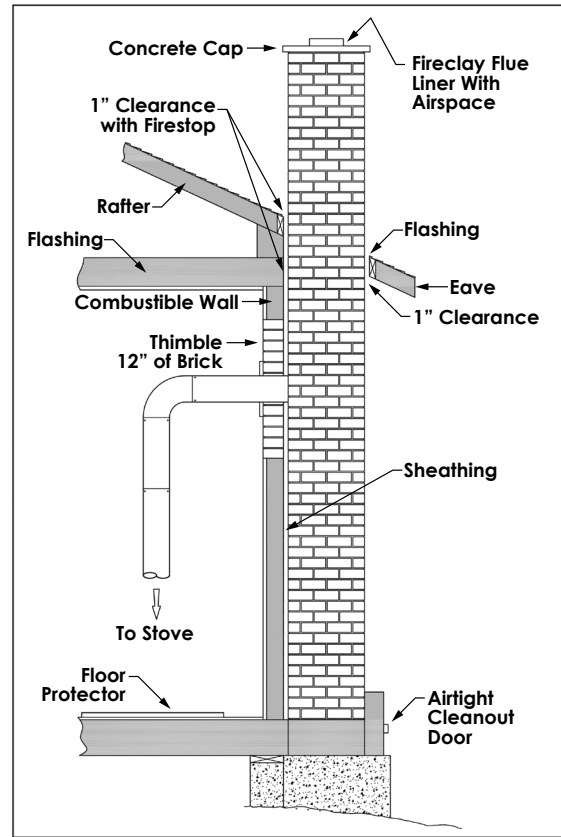
## FACTORY BUILT CHIMNEY

When a metal prefabricated chimney is used, the manufacturer's installation instructions must be followed. You must also purchase (from the same manufacturer) and install the ceiling support package or wall pass-through and "T" section package, firestops (where needed), insulation shield, roof flashing, chimney cap, etc. Maintain proper clearance to the structure as recommended by the manufacturer. The chimney must be the required height above the roof or other obstructions for safety and proper draft operation.



## MASONRY CHIMNEY

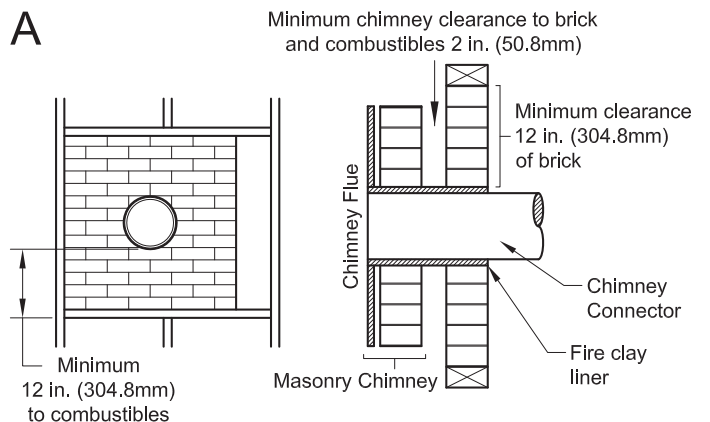
Ensure that a masonry chimney meets the minimum standards of the National Fire Protection Association (NFPA) by having it inspected by a professional. Make sure there are no cracks, loose mortar or other signs of deterioration and blockage. Be sure to the chimney cleaned before the stove is installed and operated. When connecting the stove through a combustible wall to a masonry chimney, special methods are needed.



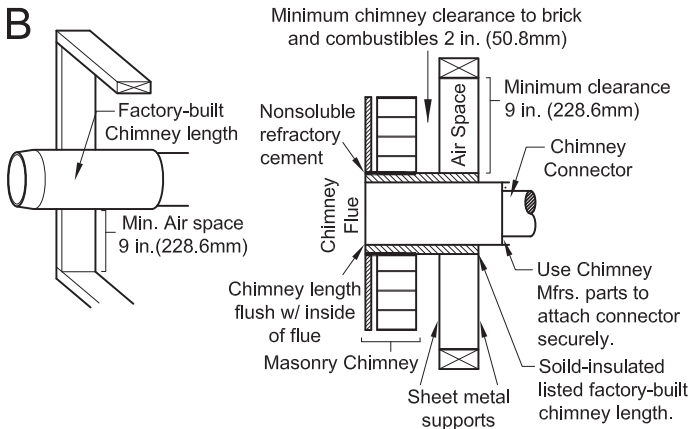
## COMBUSTIBLE WALL CHIMNEY CONNECTOR PASS-THROUGHS

**METHOD A** - 12" (304.8 mm) Clearance to Combustible Wall Member: Using a minimum thickness 3.5" (89 mm) brick and a 5/8" (15.9 mm) minimum wall thickness clay liner, construct a wall pass-through. The clay liner must conform to ASTM C315 (Standard Specification for Clay Fire Linings) or its equivalent. Keep a minimum of 12" (304.8 mm) of brick masonry between the clay liner and wall combustibles. The clay liner shall run from the brick masonry outer surface to the inner surface of the chimney flue liner but not past the inner surface. Firmly grout or cement the clay liner in place to the chimney flue liner.

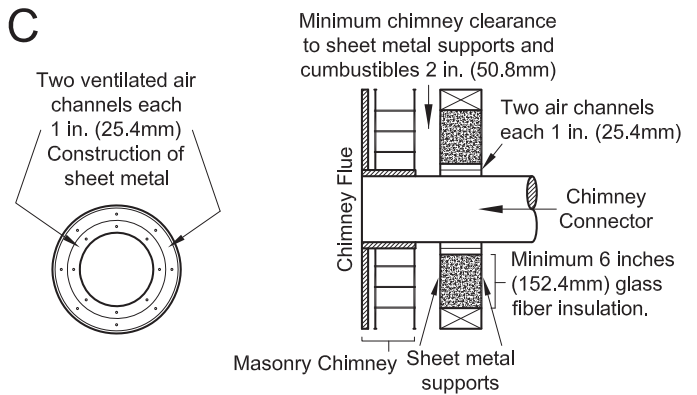
**A**



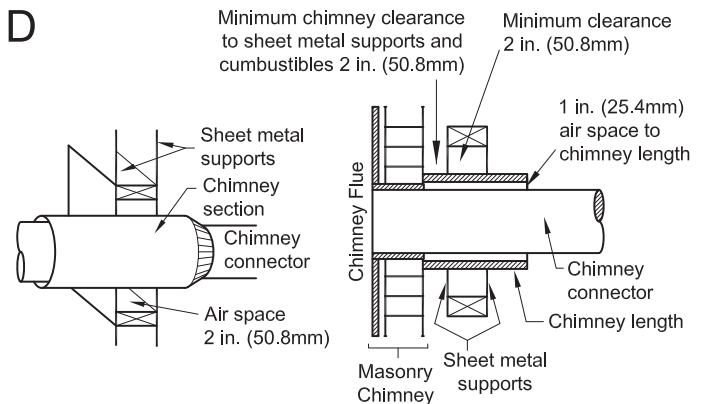
**METHOD B - 9" (228.6 mm) Clearance to Combustible Wall Member:** Using a 6" (152.4 mm) inside diameter, listed, factory-built Solid-Pak chimney section with insulation of 1" (25.4 mm) or more, build a wall pass-through with a minimum 9" (228.6 mm) air space between the outer wall of the chimney length and wall combustibles. Use sheet metal supports fastened securely to wall surfaces on all sides, to maintain the 9" (228.6 mm) air space. When fastening supports to chimney length, do not penetrate the chimney liner (the inside wall of the Solid-Pak chimney). The inner end of the Solid-Pak chimney section shall be flush with the inside of the masonry chimney flue, and sealed with a non-water soluble refractory cement. Use this cement to also seal to the brick masonry penetration.



**METHOD C - 6" (152.4 mm) Clearance to Combustible Wall Member:** Starting with a minimum 24 gage (.024" [.61 mm]) 6" (152.4 mm) metal chimney connector, and a minimum 24 gage ventilated wall thimble which has two air channels of 1" (25.4 mm) each, construct a wall pass-through. There shall be a minimum 6" (152.4 mm) separation area containing fiberglass insulation, from the outer surface of the wall thimble to wall combustibles. Support the wall thimble, and cover its opening with a 24-gage minimum sheet metal support. Maintain the 6" (152.4 mm) space. There should also be a support sized to fit and hold the metal chimney connector. See that the supports are fastened securely to wall surfaces on all sides. Make sure fasteners used to secure the metal chimney connector do not penetrate chimney flue liner.



**METHOD D - 2" (50.8 mm) Clearance to Combustible Wall Member:** Start with a solid-pak listed factory built chimney section at least 12" (304 mm) long, with insulation of 1" (25.4 mm) or more, and an inside diameter of 8" (2 inches [51 mm] larger than the 6" [152.4 mm] chimney connector). Use this as a pass-through for a minimum 24-gauge single wall steel chimney connector. Keep solid-pak section concentric with and spaced 1" (25.4 mm) off the chimney connector by way of sheet metal support plates at both ends of chimney section. Cover opening with and support chimney section on both sides with 24 gage minimum sheet metal supports. See that the supports are fastened securely to wall surfaces on all sides. Make sure fasteners used to secure chimney flue line do not penetrate the inner liner.



**NOTES:**

- Connectors to a masonry chimney, excepting method B, shall extend in one continuous section through the wall pass-through system and the chimney wall, to but not past the inner flue liner face.
- A chimney connector shall not pass through an attic or roof space, closet or similar concealed space, or a floor, or ceiling.

## NEVER OPERATE THIS PRODUCT WHILE UNATTENDED

### CAUTIONS: HOUSE FIRE HAZARDS

- **DO NOT STORE WOOD ON FLOOR PROTECTOR, UNDERNEATH STOVEPIPE(S) OR ANYWHERE WITHIN CLEARANCES TO COMBUSTIBLE SURFACES SPECIFIED FOR THIS APPLIANCE.**
- **NEVER OPERATE WITH SECONDARY TUBES, FIBERBOARD, OR INSULATION REMOVED.**

### OPERATING SAFETY PRECAUTIONS

- **NEVER OVERFIRE THIS APPLIANCE BY BUILDING EXCESSIVELY HOT FIRES AS A HOUSE/BUILDING FIRE MAY RESULT. YOU ARE OVERFIRING THE APPLIANCE IF IT BEGINS TO GLOW OR TURN RED.**
- **NEVER BUILD EXCESSIVELY LARGE FIRES IN THIS TYPE OF APPLIANCE AS DAMAGE TO THE FIREBOX OR SMOKE LEAKAGE MAY RESULT.**
- **DO NOT BUILD FIRE TOO CLOSE TO THE GLASS.**
- **HOT WHILE IN OPERATION. KEEP CHILDREN, CLOTHING, AND FURNITURE AWAY. CONTACT MAY CAUSE SKIN BURNS. DO NOT TOUCH THE APPLIANCE UNTIL IT HAS COOLED.**
- **PROVIDE ADEQUATE AIR FOR COMBUSTION TO THE ROOM WHERE THE APPLIANCE IS INSTALLED.**
- **INSPECT CHIMNEY LINER EVERY 60 DAYS. REPLACE LINER IMMEDIATELY IF IT IS RUSTING OR LEAKING SMOKE INTO THE ROOM.**
- **ATTEMPTS TO ACHIEVE HEAT OUTPUT RATES THAT EXCEED HEATER DESIGN SPECIFICATIONS CAN RESULT IN PERMANENT DAMAGE TO THE HEATER.**

### WARNING: EXPLOSION HAZARD

- **NEVER USE CHEMICALS, GASOLINE, GASOLINE-TYPE LANTERN FUEL, KEROSENE, CHARCOAL LIGHTER FLUID, OR SIMILAR FLAMMABLE LIQUIDS TO START OR “FRESHEN UP” A FIRE IN THE APPLIANCE.**
- **KEEP ALL FLAMMABLE LIQUIDS, ESPECIALLY GASOLINE, OUT OF THE VICINITY OF THE APPLIANCE - WHETHER IN USE OR IN STORAGE.**

### WOOD STOVE UTILIZATION

Your heating appliance was designed to burn well seasoned natural wood only; no other materials should be burned. Any type of well seasoned natural wood may be used in your stove, but specific varieties have better energy yields than others. Higher efficiencies and lower emissions generally result when burning air dried seasoned hardwoods, as compared to softwoods or too green or freshly cut hardwoods. The following resources can assist in learning the burn characteristics of various species of wood:

<http://firewoodresource.com/firewood-btu-ratings/>; or <https://forestry.usu.edu/forest-products/wood-heating>

The operation of this wood heater in a manner inconsistent with the owner’s manual will void your warranty and is also against federal regulations. Waste and other flammable materials should not be burned in your stove. **DO NOT BURN:**

1. Garbage;
2. Lawn clippings or yard waste;
3. Materials containing rubber, including tires;
4. Materials containing plastic;
5. Waste petroleum products, paints or paint thinners, or asphalt products;
6. Materials containing asbestos;
7. Construction or demolition debris;
8. Railroad ties or pressure-treated wood;
9. Manure or animal remains;
10. Saltwater driftwood or other previously salt water-saturated materials;
11. Unseasoned wood; or
12. Paper products, cardboard, plywood, or particleboard.  
The prohibition against burning these materials does not prohibit the use of fire starters made from paper, cardboard, sawdust, wax, and similar substances to start a fire in an affected wood heater.

Burning these materials may result in the release of toxic fumes or render the heater ineffective and cause smoke. Deadwood lying on the forest floor should be considered wet and requires full seasoning time. Standing deadwood can usually be considered to be about 2/3 seasoned. Smaller pieces of wood will dry faster. All logs exceeding 6” in diameter should be split. The wood should not be stored directly on the ground. Air should circulate through



the logs. A 24" to 48" air space should be left between each row of logs, which should be placed in the sunniest location possible. The upper layer of wood should be protected from the element but not the sides. A good indicator of if the wood is ready to burn is to check the piece ends. If cracks are radiating in all directions from the center then the wood should be dry enough to burn. If your wood sizzles in the fire, even though the surface is dry, it may not be fully cured and should be seasoned longer. It is **EXTREMELY IMPORTANT** that you use **DRY WOOD** only in your wood stove. The wood should have dried for 9 to 15 months, such that the humidity content (in weight) is reduced below 20% of the weight of the log. It is very important to keep in mind that even if the wood has been cut for one, two, or even more years, it is not necessarily dry, if it has been stored in poor conditions. Under extreme conditions, it may rot instead of drying. This point cannot be overstressed; the vast majority of the problems related to the operation of a wood stove is caused by the fact that the wood used was too damp or had dried in poor conditions. These problems can be:

- ignition problems
- creosote build-up causing chimney fires
- low energy yield
- blackened windows
- incomplete log combustion

**Do not burn manufactured logs made of wax impregnated sawdust or logs with any chemical additives.**

## TESTING YOUR WOOD

- When the stove is thoroughly warmed, place one piece of split wood (about five inches in diameter) parallel to the door on the bed of red embers.
- Keep the air control fully open and close the door. If the wood ignites within 90 seconds from the time it was placed in the stove, your wood is correctly dried. If ignition takes longer, your wood is damp.
- If your wood hisses and water or vapor escapes at the ends of the piece, your wood is soaked or freshly cut (green). Do not use this wood in your stove. Large amounts of creosote could be deposited in your chimney, creating potential conditions for a chimney fire.

## TAMPER WARNING

This wood heater has a manufacturer-set minimum low burn rate that must not be altered. It is against federal regulations to alter this setting or otherwise operate this

wood heater in a manner inconsistent with operating instructions in this manual.

## EFFICIENCIES

Efficiencies can be based on either the lower heating value (LHV) or the higher heating value (HHV) of the fuel. The lower heating value is when water leaves the combustion process as a vapor, in the case of woodstoves the moisture in the wood being burned leaves the stove as a vapor. The higher heating value is when water leaves the combustion process completely condensed. In the case of woodstoves this would assume the exhaust gases are room temperature when leaving the system, and therefore calculations using this heating value consider the heat going up the chimney as lost energy. Therefore, efficiency calculated using the lower heating value of wood will be higher than efficiency calculated using the higher heating value. The best way to achieve optimum efficiencies is to learn the burn characteristic of you appliance and burn well-seasoned wood. Higher burn rates are not always the best heating burn rates; after a good fire is established a lower burn rate may be a better option for efficient heating. A lower burn rate slows the flow of usable heat out of the home through the chimney, and it also consumes less wood.

## NOTICE - INITIAL BURNS TO CURE PAINT

BECAUSE OF THE HIGH OPERATING TEMPERATURES, THIS APPLIANCE IS COATED WITH A SPECIAL HIGH TEMP PAINT WHICH REQUIRES A SERIES OF LOW TO MEDIUM BURNS TO FULLY CURE FOR DURABILITY AND A LIFETIME OF SERVICE.

Proper curing of the high-temp paint requires a series of three initial burns. The appliance should be allowed to cool off between each burn. The first two burns should be small fires and low temperatures (250°F) for a duration of 20 minutes each. The third fire should be at a temperature of approximately 500°F for 20 minutes. Provide adequate cross ventilation to clear any smoke or odor caused by initial firings.

**Notice: Use solid wood fuel only! Do not burn garbage, or flammable fluids. Do not use coal. This appliance is not designed to accommodate the air flow (draft) required to properly burn coal or coal products. Do not elevate the fire using grates or irons. Build the fire directly on the firebrick.**

## FUELING INSTRUCTIONS

This wood stove has been certified by the US EPA to meet strict 2020 guidelines. To ensure this unit produces the optimal minimum emissions it is critical

# OPERATION INSTRUCTIONS

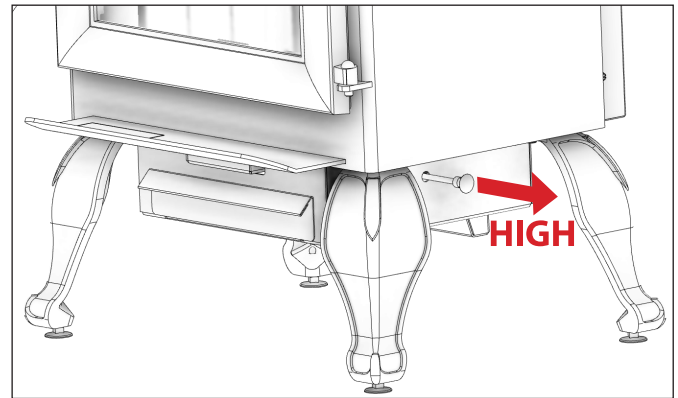
that only well-seasoned cordwood is burned (see the “Fuel Recommendations” section of this manual). Burning unseasoned wet wood only hurts your stoves efficiency and leads to accelerated creosote buildup in your chimney. Be considerate of the environment and only burn dry wood.

<b>CAUTION:</b>
<b>DO NOT LEAVE APPLIANCE UNATTENDED THE WITH DOOR OPEN.</b>

For a cold start-up, place 4 to 5 pieces of newspaper into the firebox. On top of the newspaper, lay 2.5 lbs of kindling in random placement to ensure airflow through the kindling. On top of the kindling, place approximately 3.5 to 4 lbs of small pieces of cordwood. NOTE: Use smaller pieces of wood during start-up and a high burn rate to increase the stove temperature.

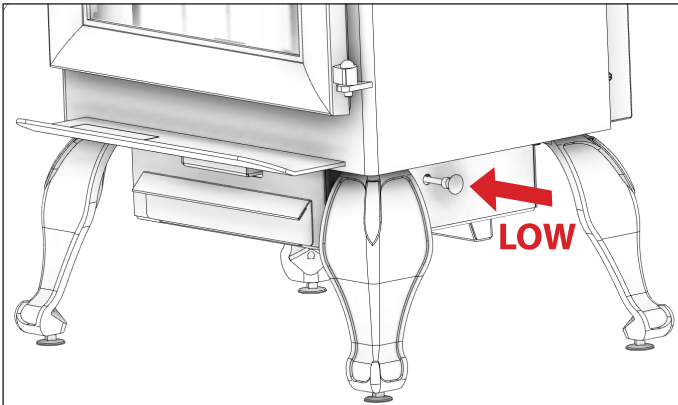


Pull the air control out fully (in the “HI” position). Light the newspaper and leave the door slightly open for about a minute. NOTE: You may have to leave it open a bit longer, depending on your chimney height and outdoor conditions. After one minute (or once the fire is well started) close the door and allow the kindling to ignite. Once the kindling has burned down to a starter coal bed, load the unit with approximately 14 lbs of fuel for the first high burn load.



After the first high burn load and the stove is well warmed up, adjust the unit as needed for a medium or low burn setting. For a medium burn, once the high burn fuel load is burned down to an established coal bed, load the unit with 16 lbs of cordwood and close the door immediately. Leave the air control fully open (in the “HI” position) for 5 minutes. After 5 minutes, the air control can be put in the medium setting to about 50% of the slide rod, between low and high setting. For a low fire burn setting, follow the same procedure as a medium burn for loading and initial ignition. After 5 minutes of burning, slowly move the air slide to the medium setting (50% closed). After 3-4 minutes, set the air inlet to the minimum (lowest setting). The air slide rod should be pushed all the way in. Note: The closing down procedure should take about 10 minutes. Closing down the air too quickly will cause the stove to smoke.





### WARNINGS:

- **NEVER OVERFIRE YOUR STOVE. IF ANY PART OF THE STOVE STARTS TO GLOW RED, OVER FIRING IS HAPPENING. READJUST THE AIR INTAKE CONTROL AT A LOWER SETTING.**
- **THE INSTALLATION OF A LOG CRADLE OR GRATES IS NOT RECOMMENDED IN YOUR WOOD STOVE. BUILD FIRE DIRECTLY ON FIREBRICK.**
- **NEVER PUT WOOD ABOVE THE FIREBRICK LINING OF THE FIREBOX.**
- **ATTEMPTS TO ACHIEVE HEAT OUTPUT RATES THAT EXCEED HEATER DESIGN SPECIFICATIONS CAN RESULT IN PERMANENT DAMAGE TO THE HEATER.**

## VISIBLE SMOKE

The amount of visible smoke being produced can be an effective method of determining how efficiently the combustion process is taking place in the given settings. Visible smoke consists of unburned fuel and moisture leaving your stove. Learn to adjust the air settings of your specific unit to produce the smallest amount of visible smoke. Wood that has not been seasoned properly and has a high wood moisture content will produce excess visible smoke and burn poorly.

## AIR TUBES

The air tubes assembled in this unit are designed to provide an accurate mix of secondary air to ensure the highest efficiency. Any damage or deterioration of these tubes may reduce the efficiency of combustion. The air tubes are held in position by screws or snap pins. Locate these to either side of the tube and remove it to allow the tube to be removed and replaced.

## BLOWER OPERATION

The variable-speed blower circulates air warmed by the firebox into the living area to distribute the heat more evenly. The blower control knob is located on the side of the blower housing. Turn the knob clockwise to turn the blower on. The speed is controlled by turning the knob clockwise for slower speeds and counter-clockwise for faster speeds. To turn the blower off, turn the speed control knob fully counter-clockwise. It is recommended to turn the blower off when the unit is not in operation. The blower should be removed at the beginning of every "burn" season and air-blown clean, removing any dust or build-up.

## NEVER OPERATE THIS PRODUCT WHILE UNATTENDED

**CAUTION:**

**DO NOT OVERFIRE APPLIANCE. YOU ARE OVERFIRING IF ANY PART OF THE APPLIANCE GLOWS RED. CLOSE THE DOOR AND SHUT DAMPER IMMEDIATELY TO REDUCE THE AIR SUPPLY AND SLOW DOWN THE FIRE.**

**CAUTION:**

**SLOW BURNING FIRES FOR EXTENDED USE OR BURNING GREEN WOOD MAY CAUSE EXCESSIVE CREOSOTE BUILD-UP. IGNITION OF CREOSOTE OR OVERFIRING COULD CAUSE A CHIMNEY FIRE. CHIMNEY FIRES BURN EXTREMELY HOT AND MAY IGNITE SURROUNDING COMBUSTIBLE MATERIALS. IN CASE OF A CHIMNEY FIRE, CALL THE FIRE DEPARTMENT IMMEDIATELY!**

- Always check for creosote deposit once every two months and have your chimney cleaned at least once a year.
- If a chimney or creosote fire occurs, close all dampers immediately. Wait for the fire to go out and the heater to cool, then inspect the chimney for damage. If no damage results, perform a chimney cleaning to ensure no more creosote deposits is remaining in the chimney.

**CAUTION:**

**A CHIMNEY FIRE MAY CAUSE IGNITION OF WALL STUDS OR RAFTERS WHICH WERE ASSUMED TO BE A SAFE DISTANCE AWAY FROM THE CHIMNEY. IF A CHIMNEY FIRE OCCURS, HAVE YOUR CHIMNEY INSPECTED BY A QUALIFIED EXPERT BEFORE USING AGAIN.**

### CREOSOTE FORMATION AND NEED FOR REMOVAL

When wood is burned slowly, it produces tar and other organic vapors, which combine with expelled moisture to form creosote. The creosote vapors condense in the relatively cool chimney flue of a slow-burning fire. As a result, creosote residue accumulates on the flue lining. When ignited this creosote makes an extremely high temper fire. The chimney connector and chimney should be inspected at least once every two months during the heating season to determine if a creosote build-up has occurred. If creosote has accumulated (3 mm or more), it should be removed to reduce the risk of a chimney fire.

We strongly recommend that you install a magnetic thermometer on your smoke exhaust pipe, approximately 18" above the stove. This thermometer will indicate the temperature of your gas exhaust fumes within the smoke exhaust system. The ideal temperature for these gases is somewhere between 275°F and 500°F. Below these temperatures, the build-up of creosote is promoted. Above 500°F, heat is wasted since a too large quantity is lost into the atmosphere.

### TO PREVENT CREOSOTE BUILD UP

- Always burn dry wood. This allows clean burns and higher chimney temperatures, therefore less creosote deposit.
- Leave the air control fully open for about 5 min. every time you reload the stove to bring it back to proper operating temperatures. The secondary combustion can only take place if the firebox is hot enough.

### ASH REMOVAL & DISPOSAL

Whenever ashes get 3 to 4 inches deep in your firebox or ash pan, and when the fire has burned down and cooled, remove excess ashes. Leave an ash bed approximately 1 inch deep on the firebox bottom to help maintain a hot charcoal bed. Ashes should be placed in a metal container with a tight-fitting lid. The closed container of ashes should be placed on a non-combustible floor or the ground, away from all combustible materials, pending final disposal. The ashes should be retained in the closed container until all cinders have thoroughly cooled.

**CAUTIONS:**

- **ASHES COULD CONTAIN HOT EMBERS EVEN AFTER TWO DAYS WITHOUT OPERATING THE STOVE.**
- **THE ASH PAN CAN BECOME VERY HOT. WEAR GLOVES TO PREVENT INJURY.**
- **NEVER BURN THE STOVE WITH THE ASH TRAP OPEN. THIS WOULD RESULT IN OVER FIRING THE STOVE. DAMAGE TO THE STOVE AND EVEN HOUSE FIRE MAY RESULT.**

### SMOKE & CO MONITORS

Burning wood naturally produces smoke and carbon monoxide(CO) emissions. CO is a poisonous gas when exposed to elevated concentrations for extended periods. While the modern combustion systems in heaters drastically reduce the amount of CO emitted



out the chimney, exposure to the gases in closed or confined areas can be dangerous. Make sure your stove gaskets and chimney joints are in good working order and sealing properly to ensure unintended exposure. It is recommended that you use both smoke and CO monitors in areas having the potential to generate CO.

## GLASS CARE

- Inspect and clean the glass regularly to detect any cracks. If you spot one, turn the stove off immediately. Do not abuse the glass door by striking or slamming shut. Do not use the stove if the glass is broken.
- If the glass on your stove breaks, replace only with the glass supplied from your heater dealer. Never substitute other materials for the glass.
- To replace the glass, remove the screws retaining the glass moldings inside the door. Remove the moldings and replace the damaged piece with a new one. Perform the procedure backward after replacing it. When replacing the glass, you should change the glass gasket to make sure you keep it sealed.
- Never wash the glass with a product that may scratch. Use a specialized product, available in the stores where wood stoves are sold. The glass should be washed only when cold.

## GASKET CARE

**WARNING:**

**NEVER OPERATE THE STOVE WITHOUT THE GASKET OR WITH A DAMAGED OR BROKEN GASKET. OPERATING WITHOUT A GASKET OR DAMAGED GASKET WILL RESULT IN DAMAGE TO YOUR STOVE AND CAN RESULT IN A HOUSE FIRE.**

This unit's door uses a 1" diameter rope gasket. It is recommended that you change the door gasket (which makes your stove door air tight) once a year, in order to ensure good control over the combustion, maximum efficiency and security. To change the door gasket, simply remove the damaged one. Carefully clean the available gasket groove, apply a high temperature silicone sold for this purpose, and install the new gasket. You may light up your stove again approximately 24 hours after having completed this operation.

**ATTENTION:**

**THIS WOOD HEATER NEEDS PERIODIC INSPECTION AND REPAIR FOR PROPER OPERATION. IT IS AGAINST FEDERAL REGULATIONS TO OPERATE THIS WOOD HEATER IN A MANNER INCONSISTENT WITH OPERATING INSTRUCTIONS IN THIS MANUAL.**

## HOW TO ORDER REPAIR PARTS

**For Parts Assistance Call: 800-750-2723 Ext 5051 or Email: [parts@usstove.com](mailto:parts@usstove.com)**

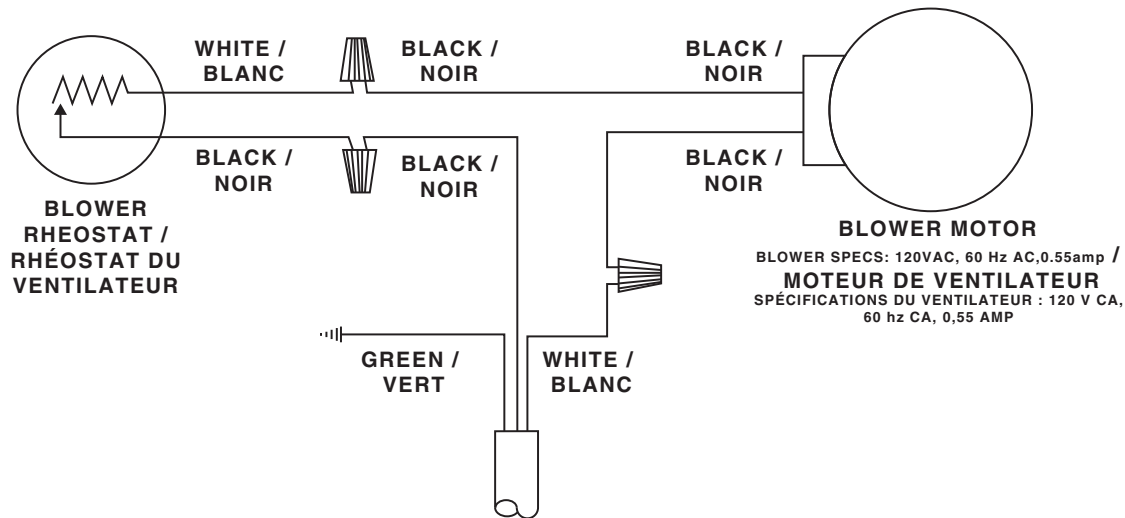
The information in this owner's manual is specific to your unit. When ordering replacement parts the information in this manual will help to ensure the correct items are ordered. Before contacting customer service write down the model number and the serial number of this unit. That information can be found on the certification label attached to the back of the unit. Other information that may be needed would be the part number and part description of the item(s) in question. Part numbers and descriptions can be found in the "Repair Parts" section of this manual. Once this information has been gathered you can contact customer service by phone 1-800-750-2723 Ext 5051 or Email [parts@usstove.com](mailto:parts@usstove.com).

Model Information	
Model Number	
Serial Number	

# OPTIONAL CB36 BLOWER WIRING DIAGRAM

DANGER: SHOCK HAZARD DISCONNECT POWER SOURCE BEFORE INSTALLATION AND WHENEVER SERVICING BLOWER ASSEMBLY.

CAUTION: MOVING PARTS CAN CAUSE INJURY. DO NOT OPERATE WITH COVER REMOVED.



NOTICE: ANY REPLACEMENT WIRING MUST HAVE EQUIVALENT INSULATION AND TEMPERATURE RATING (105° C).

NOTICE: DO NOT ALLOW THE POWER CORD TO TOUCH HOT SURFACES! KEEP THE POWER CORD AT LEAST 12"/30.5CM FROM THE STOVE OR PIPE SURFACES.

## INSTRUCTIONS SPECIFIC FOR CANADIAN INSTALLATIONS

Do not obstruct the space under the heater and do not obstruct the combustion air openings.

Refer to the chimney manufacturer's instructions for disassembling the chimney for transportation of a transportable building.

This heater meets the requirements of CAN/ULC-S627 and is suitable for installation on a combustible floor and does not require radiant floor protection.

The parts or materials to be employed for ember protectors and the minimum areas to be covered and their relation to the space heater, as well as the notice: "In Canada, to comply with CAN/ULC-S629, Installation Code for Solid-Fuel-Burning Appliances and Equipment, any combustible covering beneath the appliance and/or within the area extending horizontally at least 450 mm (18 in) beyond the appliance on any side equipped with a door, and at least 200 mm (8 in) beyond the appliance on other sides, shall be protected by a continuous, durable,

non-combustible pad that will provide ember protection. The 450 mm (18 in) ember protection required on any side with a door shall extend for the full width of the appliance plus the 200 mm (8 in) required on each side of the appliance without a door. Where an appliance is installed less than 200 mm (8 in) from a wall, the ember pad need only extend to the base of the wall. An ember pad shall not be placed on top of a carpet unless the pad is structurally supported to prevent displacement and distortion.

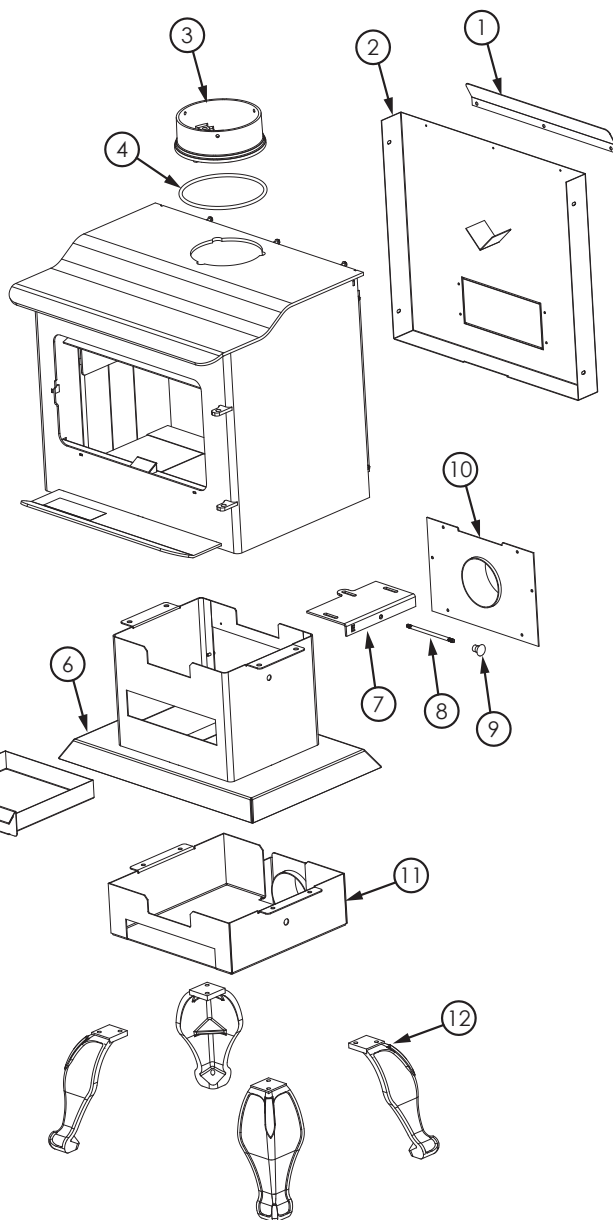
Note: Do not install the chimney directly at the outlet of the appliance. A chimney connector (flue pipe) is required.

If this appliance is installed in a transportable building, removal of the chimney is required for transportation of the building.

DO NOT INSTALL IN AN ALCOVE

DO NOT INSTALL IN ANY FIREPLACE

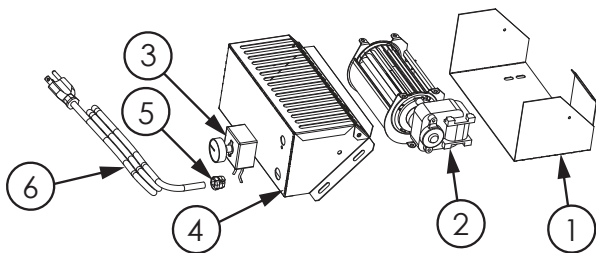
Key	Part #	Description	Qty
1	29139	Air Deflector	1
2	891824	Heatshield Weldment	1
3	40292A	6" Flue Collar	1
4	88042	1/4" Rope Gasket	1
5	29055	Ashpan	1
6	610923	Pedestal Weldment (US1100E-BP)	1
7	610928	Damper Weldment	1
8	86709	Damper Rod	1
9	891987	Plastic Knob	1
10	610918	Access Panel (US1100E-BP)	1
11	610944	Ashpan Housing Weldment (US1100E-BL)	1
12	40566	Cast Iron Leg (US1100E-BL)	4



To order parts:

Call 1-800-750-2723 Ext 5051 or

Email to: [parts@usstove.com](mailto:parts@usstove.com)



Key	Part#	Description	Qty
1	25089	Blower Housing Back	1
2	80442	80 CFM Blower	1
3	80090	Rheostat W/Knob	1
4	25090	Blower Housing Front	1
5	80109	Strain Relief	1
6	80232	Supply Cord	1

To order parts:

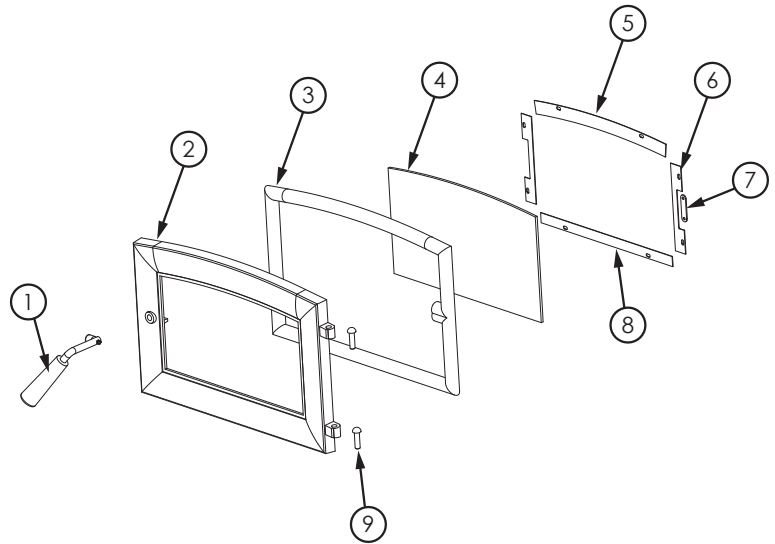
Call 1-800-750-2723 Ext 5051 or

Email to: [parts@usstove.com](mailto:parts@usstove.com)

**IN ORDER TO MAINTAIN WARRANTY, COMPONENTS MUST BE REPLACED USING ORIGINAL MANUFACTURERS PARTS PURCHASED THROUGH YOUR DEALER OR DIRECTLY FROM THE APPLIANCE MANUFACTURER. USE OF THIRD PARTY COMPONENTS WILL VOID THE WARRANTY.**

# REPAIR PARTS

Key	Part #	Description	Qty
1	893241-US	Complete Door Handle	1
2	40887	Medium Arched Door	1
3	88324	1" Rope Gasket	1
4	893159	Clear Glass	1
5	29229	Glass Retainer, Sides	2
6	29227	Glass Retainer, Top	1
7	29230	Gasket Clamp	1
8	29228	Glass Retainer, Bottom	1
9	892294	Hinge Pin	2

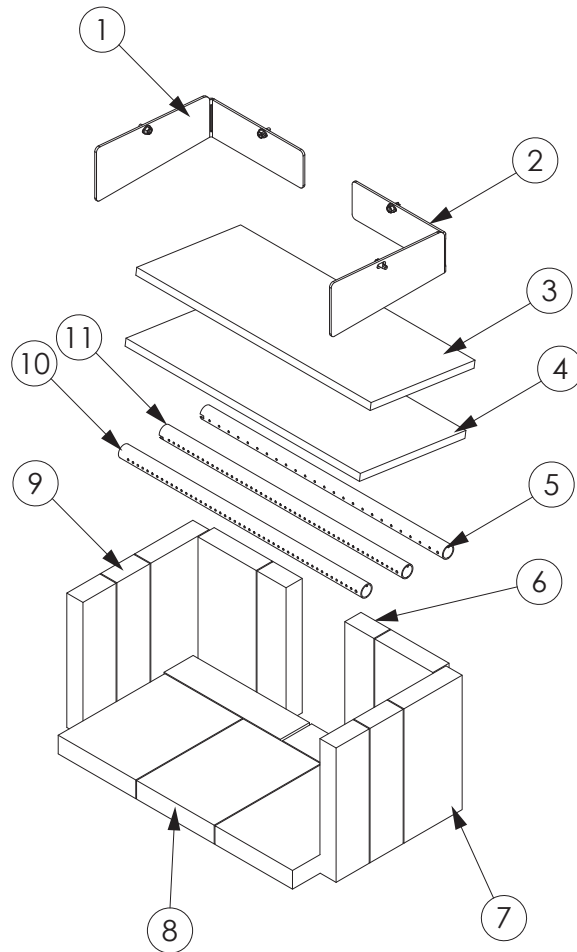


To order parts:

Call 1-800-750-2723 Ext 5051 or

Email to: [parts@usstove.com](mailto:parts@usstove.com)

Key	Part #	Description	Qty
1	29039	Brick Retainer	1
2	29040	Brick Retainer	1
3	88315	Kao Wool Blanket	1
4	88147	Board, Ceramic Fiber	1
5	86904	Secondary Tube	1
6	891414	Half Firebrick	4
7	89066	Firebrick (4-1/2 X 9)	4
8	891095	Firebrick (6 X 8-1/4)	3
9	23783	Firebrick (1-1/4 X 2-9/16 X 9)	4
10	86903	Secondary Tube	1
11	86905	Secondary Tube	1



To order parts:

Call 1-800-750-2723 Ext 5051 or

Email to: [parts@usstove.com](mailto:parts@usstove.com)

**IN ORDER TO MAINTAIN WARRANTY, COMPONENTS MUST BE REPLACED USING ORIGINAL MANUFACTURERS PARTS PURCHASED THROUGH YOUR DEALER OR DIRECTLY FROM THE APPLIANCE MANUFACTURER. USE OF THIRD PARTY COMPONENTS WILL VOID THE WARRANTY.**





# SERVICE RECORD

It is recommended that your heating system is serviced regularly and that the appropriate Service Interval Record is completed.

## SERVICE PROVIDER

Before completing the appropriate Service Record below, please ensure you have carried out the service as described in the manufacturer's instructions. Always use the manufacturer's specified spare part when replacement is necessary.

**Service 01** Date: \_\_\_\_\_

Engineer Name: \_\_\_\_\_

License No.: \_\_\_\_\_

Company: \_\_\_\_\_

Telephone No.: \_\_\_\_\_

Stove Inspected:  Chimney Swept:

Items Replaced: \_\_\_\_\_

**Service 02** Date: \_\_\_\_\_

Engineer Name: \_\_\_\_\_

License No.: \_\_\_\_\_

Company: \_\_\_\_\_

Telephone No.: \_\_\_\_\_

Stove Inspected:  Chimney Swept:

Items Replaced: \_\_\_\_\_

**Service 03** Date: \_\_\_\_\_

Engineer Name: \_\_\_\_\_

License No.: \_\_\_\_\_

Company: \_\_\_\_\_

Telephone No.: \_\_\_\_\_

Stove Inspected:  Chimney Swept:

Items Replaced: \_\_\_\_\_

**Service 04** Date: \_\_\_\_\_

Engineer Name: \_\_\_\_\_

License No.: \_\_\_\_\_

Company: \_\_\_\_\_

Telephone No.: \_\_\_\_\_

Stove Inspected:  Chimney Swept:

Items Replaced: \_\_\_\_\_

**Service 05** Date: \_\_\_\_\_

Engineer Name: \_\_\_\_\_

License No.: \_\_\_\_\_

Company: \_\_\_\_\_

Telephone No.: \_\_\_\_\_

Stove Inspected:  Chimney Swept:

Items Replaced: \_\_\_\_\_

**Service 06** Date: \_\_\_\_\_

Engineer Name: \_\_\_\_\_

License No.: \_\_\_\_\_

Company: \_\_\_\_\_

Telephone No.: \_\_\_\_\_

Stove Inspected:  Chimney Swept:

Items Replaced: \_\_\_\_\_

**Service 07** Date: \_\_\_\_\_

Engineer Name: \_\_\_\_\_

License No.: \_\_\_\_\_

Company: \_\_\_\_\_

Telephone No.: \_\_\_\_\_

Stove Inspected:  Chimney Swept:

Items Replaced: \_\_\_\_\_

**Service 08** Date: \_\_\_\_\_

Engineer Name: \_\_\_\_\_

License No.: \_\_\_\_\_

Company: \_\_\_\_\_

Telephone No.: \_\_\_\_\_

Stove Inspected:  Chimney Swept:

Items Replaced: \_\_\_\_\_

Il est recommandé que votre système de chauffage est desservi régulièrement et que le Service Interval enregistré approprié est terminée.

## FURNISSEUR DE SERVICES

Avant de terminer l'enregistrement de service approprié ci-dessous, s'il vous plaît vous assurer que vous avez effectué le service tel que décrit dans le les instructions du fabricant. Toujours utiliser pièce de rechange indiquée par le fabricant lors de remplacement est nécessaire.

**Service de 01**

Date: \_\_\_\_\_

Nom de l'ingénieur: \_\_\_\_\_

N° de licence: \_\_\_\_\_

Compagnie: \_\_\_\_\_

N° de téléphone: \_\_\_\_\_

Poêle Inspecté:  Cheminée balayée:

Articles Remplacé: \_\_\_\_\_

**Service de 02**

Date: \_\_\_\_\_

Nom de l'ingénieur: \_\_\_\_\_

N° de licence: \_\_\_\_\_

Compagnie: \_\_\_\_\_

N° de téléphone: \_\_\_\_\_

Poêle Inspecté:  Cheminée balayée:

Articles Remplacé: \_\_\_\_\_

**Service de 03**

Date: \_\_\_\_\_

Nom de l'ingénieur: \_\_\_\_\_

N° de licence: \_\_\_\_\_

Compagnie: \_\_\_\_\_

N° de téléphone: \_\_\_\_\_

Poêle Inspecté:  Cheminée balayée:

Articles Remplacé: \_\_\_\_\_

**Service de 04**

Date: \_\_\_\_\_

Nom de l'ingénieur: \_\_\_\_\_

N° de licence: \_\_\_\_\_

Compagnie: \_\_\_\_\_

N° de téléphone: \_\_\_\_\_

Poêle Inspecté:  Cheminée balayée:

Articles Remplacé: \_\_\_\_\_

**Service de 05**

Date: \_\_\_\_\_

Nom de l'ingénieur: \_\_\_\_\_

N° de licence: \_\_\_\_\_

Compagnie: \_\_\_\_\_

N° de téléphone: \_\_\_\_\_

Poêle Inspecté:  Cheminée balayée:

Articles Remplacé: \_\_\_\_\_

**Service de 06**

Date: \_\_\_\_\_

Nom de l'ingénieur: \_\_\_\_\_

N° de licence: \_\_\_\_\_

Compagnie: \_\_\_\_\_

N° de téléphone: \_\_\_\_\_

Poêle Inspecté: \_\_\_\_\_

Cheminée balayée: \_\_\_\_\_

Articles Remplacé: \_\_\_\_\_

**Service de 07**

Date: \_\_\_\_\_

Nom de l'ingénieur: \_\_\_\_\_

N° de licence: \_\_\_\_\_

Compagnie: \_\_\_\_\_

N° de téléphone: \_\_\_\_\_

Poêle Inspecté:  Cheminée balayée:

Articles Remplacé: \_\_\_\_\_

**Service de 08**

Date: \_\_\_\_\_

Nom de l'ingénieur: \_\_\_\_\_

N° de licence: \_\_\_\_\_

Compagnie: \_\_\_\_\_

N° de téléphone: \_\_\_\_\_

Poêle Inspecté:  Cheminée balayée:

Articles Remplacé: \_\_\_\_\_

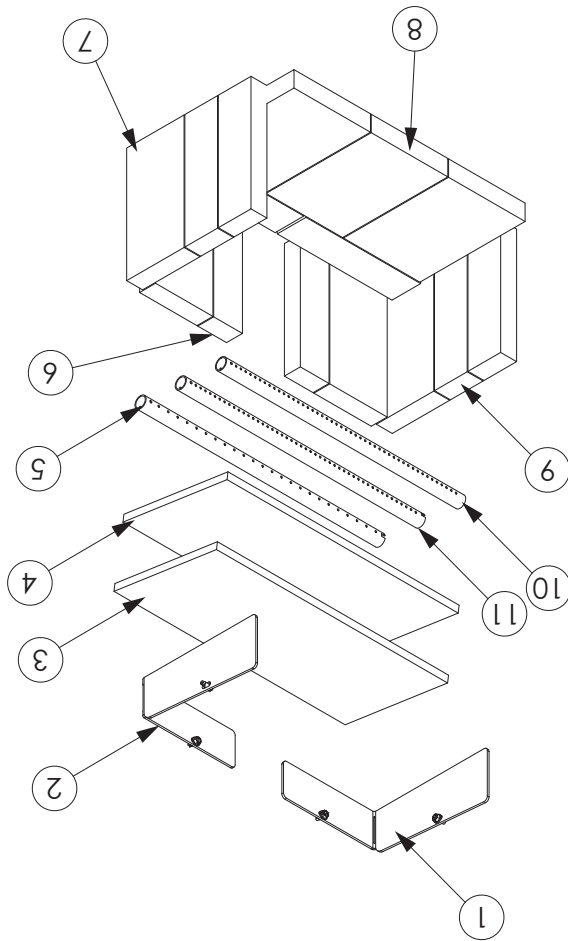
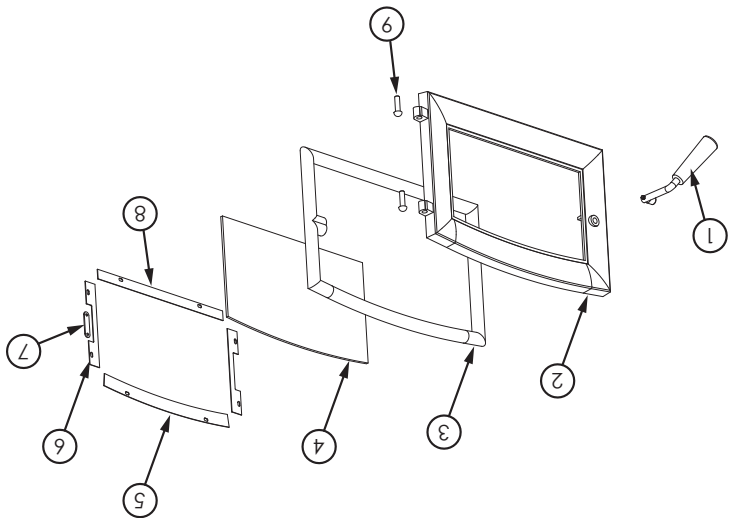
# PIÈCES DE REMPLACEMENT

Qté	Partie	Description
1	893241-US	Poignée de porte complète
1	40887	Porte cintrée moyenne
1	88324	Joint de corde de 1 po
4	893159	Verre propre
5	29229	Retenue en verre, côtés
6	29227	Retenue en verre, dessus
1	29230	Joint de serrage
8	29228	Retenue en verre, en bas
9	892294	Axe de charnière

Pour commander des pièces:

Appellez le 1-800-750-2723 Ext 5051 ou

Envoyez un courriel à: [parts@usstove.com](mailto:parts@usstove.com)



Pour commander des pièces:

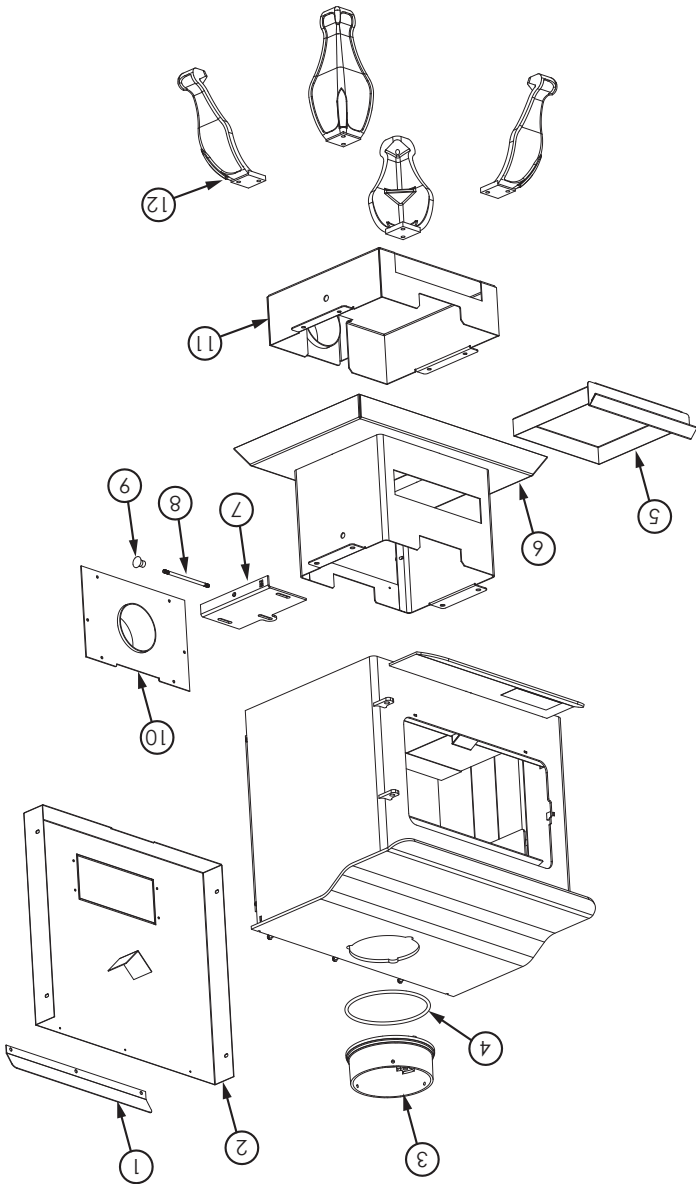
Appellez le 1-800-750-2723 Ext 5051 ou

Envoyez un courriel à: [parts@usstove.com](mailto:parts@usstove.com)

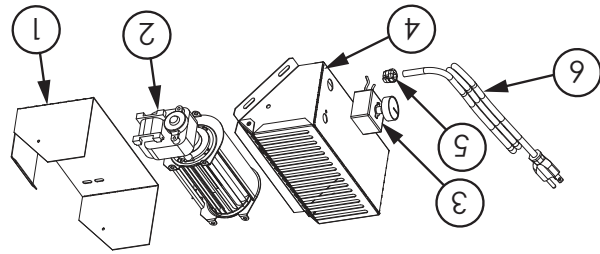
Qté	Partie	Description
1	29039	Retenue de brique
1	29040	Retenue de brique
1	88315	Couverture en laine Kao
1	88147	Conseil, fibre de céramique
1	86904	tube secondaire
4	891414	Demi brique réfractaire
4	89066	Brique réfractaire (4-1 / 2 X 9)
3	891095	Brique réfractaire (6 X 8-1 / 4)
9	23783	Brique réfractaire (1-1 / 4 X 2-9 / 16 X 9)
10	86903	Tube secondaire
11	86905	Tube secondaire

**POUR CONSERVER LA COUVERTURE DE LA GARANTIE, LES COMPOSANTS DOIVENT ÊTRE REMPLACÉS PAR DES PIÈCES D'ORIGINE DU FABRICANT ACHETÉS AUPRÈS DE VOTRE DÉPOSITAIRE OU DIRECTEMENT AUPRÈS DU FABRICANT DE L'APPAREIL. L'UTILISATION DE COMPOSANTS DE TIERS ANNULE LA GARANTIE.**

Qté	Partie	Description
1	1	Défecteur d'air
1	2	Soudure de bouclier thermique
1	3	Collier de cheminée de 6 po
1	4	Joint de corde 1/4 po
1	5	Cendrier
1	6	Soudure sur piédestal (US1100E-BP)
1	7	Soudure d'amortisseur
1	8	Tige amortisseur
1	9	Bouton en plastique
1	10	Panneau d'accès (US1100E-BP)
1	11	Soudure de logement en cendrier (US1100E-BL)
4	12	Pied en fonte (US1100E-BL)



Pour commander des pièces:  
 Appelez le 1-800-750-2723 Ext 5051 ou  
 Envoyez un courriel à: parts@usstove.com



Pour commander des pièces:  
 Appelez le 1-800-750-2723 Ext 5051 ou  
 Envoyez un courriel à: parts@usstove.com

Qté	Partie	Description
1	1	Cartier de soufflante
1	2	Souffleur 80 Cfm
1	3	Rhéostat W / Bouton
1	4	Cartier de soufflante avant
1	5	Décharge de traction
1	6	Cordon d'alimentation

**POUR CONSERVER LA COUVERTURE DE LA GARANTIE, LES COMPOSANTS DOIVENT ÊTRE REMPLACÉS PAR DES PIÈCES D'ORIGINE DU FABRICANT ACHETÉS AUPRÈS DE VOTRE DÉPOSITAIRE OU DIRECTEMENT AUPRÈS DU FABRICANT DE L'APPAREIL. L'UTILISATION DE COMPOSANTS DE TIERS ANNULE LA GARANTIE.**





Informations sur le modèle	
Numéro de modèle	
Numéro de série	

Les informations contenues dans ce manuel du propriétaire sont spécifiques à votre appareil. Lors de la commande de pièces de rechange, les informations contenues dans ce manuel vous aideront à vous assurer que les bons articles sont commandés. Avant de contacter le service client, notez le numéro de modèle et le numéro de série de cet appareil. Cette information se trouve sur l'étiquette de certification apposée à l'arrière de l'appareil. D'autres informations qui pourraient être nécessaires sont le numéro de pièce et la description de l'article en question. Les références et les descriptions se trouvent dans la section «Pièces de réparation» de ce manuel. Une fois ces informations recueillies, vous pouvez contacter le service client par téléphone au 1-800-750-2723, poste 5051 ou par e-mail à [parts@usstove.com](mailto:parts@usstove.com).

**COURRIEL: PARTS@USSTOVE.COM**  
**POUR L'ASSISTANCE SUR LES PIÈCES, APPELEZ LE 800-750-2723, POSTE 5051 OU PAR**

## COMMANDE DE PIÈCES DE RECHANGE

qu'à froid.

- Utilisez un produit spécialisé, disponible dans les magasins où les poêles à bois sont vendus. Le verre ne doit être lavé Ne lavez jamais la vitre avec un produit qui pourrait rayer.
- Pour remplacer la vitre, retirez les vis retenant les moulures en verre à l'intérieur de la porte. Retirez les moulures et remplacez la pièce endommagée par une nouvelle. Effectuez la procédure à l'envers après l'avoir remplacé. Lors du remplacement de la vitre, vous devez changer le joint en verre pour vous assurer de le garder scellé.
- Si le verre de votre poêle se brise, remplacez-le uniquement par le verre fourni par votre revendeur de chauffage. Ne remplacez jamais d'autres matériaux par le verre.
- Inspectez et nettoyez régulièrement la vitre pour détecter d'éventuelles fissures. Si vous en repérez, étendez immédiatement le poêle. N'abusez pas de la porte vitrée en la claquant ou en la claquant. N'utilisez pas le poêle si le verre est cassé.

### ENTRETIEN VERRE

systèmes de combustion modernes des chauffages réduisent de façon importante la quantité de CO émis par la cheminée, l'exposition aux gaz dans des endroits fermés ou clos peut être dangereuse. Assurez-vous que les joints d'étanchéité de votre poêle et les joints de la cheminée soient en bon état et qu'ils scellent correctement, évitant les expositions indésirables. Il est recommandé que vous utilisiez des détecteurs de fumée et de CO dans les zones où se trouve un potentiel de génération

**AVERTISSEMENT:**  
**CE POÊLE À BOIS DOIT ÊTRE INSPECTÉ ET RÉPARÉ PÉRIODIQUEMENT POUR FONCTIONNER CORRECTEMENT. IL EST CONTRAIRE À LA RÉGLEMENTATION FÉDÉRALE DE FAIRE FONCTIONNER CE POÊLE À BOIS D'UNE MANIÈRE NON CONFORME AUX INSTRUCTIONS D'UTILISATION DE CE MANUEL.**

La porte de cet appareil utilise un joint de corde de 1 po de diamètre. Il est recommandé de changer le joint de porte (qui rend la porte de votre poêle étanche à l'air) une fois par an, afin d'assurer un bon contrôle de la combustion, une efficacité et une sécurité maximales. Pour changer le joint de porte, retirez simplement celui qui est endommagé. Nettoyez soigneusement la rainure du joint disponible, appliquez un silicone haute température vendu à cet effet et installez le nouveau joint. Vous pouvez rallumer votre poêle environ 24 heures après avoir terminé cette opération.

**AVERTISSEMENT:**  
**NE JAMAIS FAIRE FONCTIONNER LE POÊLE SANS LE FONCTIONNEMENT SANS JOINT D'ÉTANCHÉITÉ OU ENDOMMAGÉ ENDOMMAGERA VOTRE POÊLE ET PEUT CAUSER UN INCENDIE.**

### ENTRETIEN DES JOINT

**AVERTISSEMENT:**

**NE PAS SURCHAUFFER L'APPAREIL. VOUS SURCHAUFFEZ SI UNE PARTIE QUELCONQUE DE L'APPAREIL S'ALLUME EN ROUGE. FERMEZ LA PORTE ET FERMEZ IMMÉDIATEMENT LE REGISTRE POUR RÉDUIRE L'ALIMENTATION EN AIR ET RALENTIR LE FEU.**

**AVERTISSEMENT:**

**LES FEUX À COMBUSTION LENTE POUR UNE UTILISATION PROLONGÉE OU LA COMBUSTION DE BOIS VERT PEUVENT PROVOQUER UNE ACCUMULATION EXCESSIVE DE CRÉOSOTE. L'ALLUMAGE DE LA CRÉOSOTE OU LA SURCHAUFFE PEUVENT PROVOQUER UN FEU DE CHEMINÉE. LES FEUX DE CHEMINÉE BRÛLENT EXTRÊMEMENT CHAUD ET PEUVENT ENFLAMMER LES MATÉRIAUX COMBUSTIBLES ENVIRONNANTS. EN CAS D'INCENDIE DE CHEMINÉE, APPELEZ IMMÉDIATEMENT LE SERVICE D'INCENDIE!**

**FORMATION DE CRÉOSOTE ET BESOIN D'ENLÈVEMENT**

Lorsque le bois est brûlé lentement, il produit du goudron et d'autres vapeurs organiques, qui se combinent avec l'humidité expulsée pour former de la créosote. Les vapeurs de créosote se condensent dans le conduit de cheminée relativement frais d'un feu à combustion lente. Par conséquent, des résidus de créosote s'accumulent sur le revêtement du conduit de fumée. Lorsqu'elle est allumée, cette créosote fait un feu extrêmement élevé. Le raccord de cheminée et la cheminée doivent être inspectés au moins une fois tous les deux mois pendant la saison de chauffage pour déterminer si une accumulation de créosote s'est produite. Si la créosote s'est accumulée (3 mm ou plus), elle doit être retirée pour réduire le risque d'incendie de cheminée. Nous vous recommandons fortement d'installer un thermomètre magnétique sur votre tuyau d'échappement de fumée, à environ 18 po au-dessus du poêle. Ce thermomètre indiquera la température de vos fumées d'échappement de gaz dans le système d'évacuation des fumées. La température idéale pour ces gaz se situe entre 275°F et 500°F. En dessous de ces températures, l'accumulation de créosote est favorisée. Au-dessus de 500°F, la chaleur est perdue car une trop grande quantité est perdue dans l'atmosphère.

**POUR ÉVITER LA CONSTRUCTION DE CRÉOSOTE**

- Brûlez toujours du bois sec. Cela permet des brûlures propres et des températures de cheminée plus élevées, donc moins de dépôt de créosote.
- Laissez le contrôle d'air complètement ouvert pendant environ 5 min. chaque fois que vous rechargez le poêle pour ramener à des températures de fonctionnement appropriées. La combustion secondaire ne peut avoir lieu que si le foyer est suffisamment chaud.

**ENLÈVEMENT DES CENDRES ET LEUR DISPOSITION**

Chaque fois que les cendres atteignent 3 à 4 pouces de profondeur dans votre foyer ou cendrier, et lorsque le feu a brûlé et refroidi, retirez les cendres en excès. Laissez un lit de cendres d'environ 1 pouce de profondeur sur le fond de la chambre de combustion pour aider à maintenir un lit de charbon de bois chaud. Les cendres doivent être placées dans un récipient en métal avec un couvercle hermétique. Le contenant fermé de cendres doit être placé sur un sol incombustible ou sur le sol, à l'écart de tout matériau combustible, en attendant l'élimination finale. Les cendres doivent être conservées dans le récipient fermé jusqu'à ce que toutes les cendres aient complètement refroidi.

**AVERTISSEMENT:**

**LES CENDRES POURRAIENT CONTENIR DES EMBRES CHAUDES MÊME APRÈS DEUX JOURS SANS FAIRE FONCTIONNER LE POÊLE.**

- LE CENDRIER PEUT DEVENIR TRÈS CHAUD. PORTER DES GANTS POUR PRÉVENIR LES BLESSURES.
- NE BRÛLEZ JAMAIS LE POÊLE AVEC LE PIÈGE À CENDRES OUVERT. CELA POURRAIT PROVOQUER PLUS DE CUISSON DU POÊLE. DES DOMMAGES AU POÊLE ET À UN MÊME INCENDIE PEUVENT EN RÉsulTER.

**DÉTECTEURS DE FUMÉE ET DE CO**

Le brûlage du bois produit naturellement des émissions de fumée et du monoxyde de carbone (CO). Le CO est un gaz poison lorsque l'exposition se fait à des concentrations élevées pour une période de temps prolongée. Bien que les

- Vérifiez toujours le dépôt de créosote une fois tous les deux mois et faites nettoyer votre cheminée au moins une fois par an.
- En cas d'incendie de cheminée ou de créosote, fermez immédiatement tous les registres. Attendez que le feu s'éteigne et que le chauffe-eau refroidisse, puis inspectez la cheminée pour déceler tout dommage. Si aucun dommage ne se produit, effectuez un nettoyage de cheminée pour vous assurer qu'il ne reste plus de dépôts de créosote dans la cheminée.

**AVERTISSEMENT:**

**UN FEU DE CHEMINÉE PEUT PROVOQUER L'INFLAMMATION DE POTEAUX MURAUX OU DE CHEVRONS QUI ÉTAIENT SUPPOSÉS ÊTRE À UNE DISTANCE SÛRE DE LA CHEMINÉE. EN CAS D'INCENDIE DE CHEMINÉE, FAITES INSPECTER VOTRE CHEMINÉE PAR UN EXPERT QUALIFIÉ AVANT DE L'UTILISER À NOUVEAU.**

**FUMÉE VISIBLE**

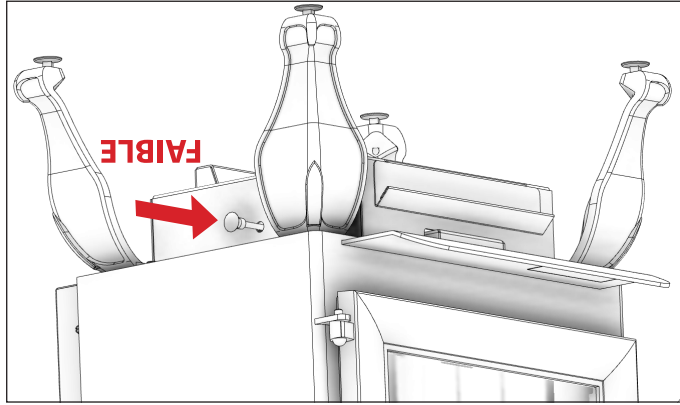
La quantité de fumée visible produite peut être une méthode efficace pour déterminer l'efficacité du processus de combustion aux paramètres donnés. La fumée visible est constituée de combustible non brûlé et d'humidité sortant de votre poêle. Apprenez à régler les paramètres d'air de votre unité spécifique pour produire la plus petite quantité de fumée visible. Le bois qui n'a pas été correctement séché et qui a une teneur élevée en humidité produira un excès de fumée visible et brûlera mal.

**CONDUITS D'AIR**

Les conduits d'air assemblés dans cette unité sont conçus pour offrir un mélange précis d'air secondaire et assurer une plus grande efficacité. Tout dommage ou détérioration de ces conduits peut réduire l'efficacité de la combustion. Les conduits d'air sont maintenus en position par des vis ou par des goupilles de blocage. Localisez et enlevez-les des deux côtés du conduit pour le retirer et le remettre en place.

**FONCTIONNEMENT DE LA SOUFFLERIE**

Le ventilateur à vitesse variable fait circuler l'air réchauffé par la chambre de combustion dans le salon pour répartir la chaleur plus uniformément. Le bouton de commande du ventilateur est situé sur le côté du boîtier du ventilateur. Tournez le bouton dans le sens des aiguilles d'une montre pour mettre le ventilateur en marche. La vitesse est contrôlée en tournant le bouton dans le sens des aiguilles d'une montre pour des vitesses plus lentes et dans le sens inverse des aiguilles d'une montre pour des vitesses plus rapides. Pour arrêter le ventilateur, tournez le bouton de commande de vitesse à fond dans le sens antihoraire. Il est recommandé d'éteindre le ventilateur lorsque l'unité n'est pas en fonctionnement. Le ventilateur doit être retiré au début de chaque saison de «brûlure» et nettoyé par soufflage à l'air, en éliminant toute poussière ou accumulation.



**AVERTISSEMENTS:**

- NE JAMAIS SURCHAUFFER VOTRE POÊLE. SI UNE PARTIE DU POÊLE COMMENCE À LUMIÈRE ROUGE, PLUS DE CUISSON ARRIVE. RÉAJUSTEZ LA COMMANDE D'ADMISSION D'AIR À UN RÉGLAGE PLUS BAS.
- L'INSTALLATION D'UN BERCEAU À BÛCHES OU DE GRILLES N'EST PAS RECOMMANDÉE DANS VOTRE POÊLE À BOIS. CONSTRUISEZ LE FEU DIRECTEMENT SUR FIREBRICK.
- NE METTEZ JAMAIS DE BOIS AU-DESSUS DE LA DOUBLURE DU FEU DE FEU.
- LES TENTATIVES POUR ATTEINDRE DES DÉBITS DE CHALEUR SUPÉRIEURS AUX SPÉCIFICATIONS DE CONCEPTION DU RÉCHAUFFEUR PEUVENT ENTRAÎNER DES DOMMAGES PERMANENTS AU RÉCHAUFFEUR.



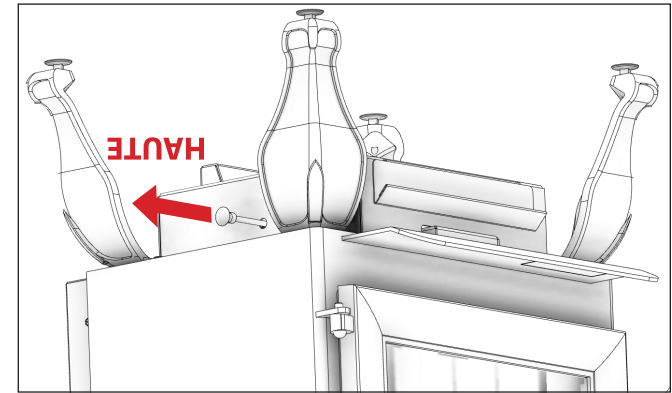
que seul du bois de cordon bien séché soit brûlé (voir la section «Recommandations de carburant» de ce manuel). La combustion de bois humide non séché ne fait que nuire à l'efficacité de vos poêles et entraîne une accumulation accélérée de créosote dans votre cheminée. Soyez respectueux de l'environnement et ne brûlez que du bois sec.

**ATTENTION:**  
**NE LAISSEZ PAS L'APPAREIL SANS SURVEILLANCE**  
**AVEC LA PORTE OUVERTE.**

Pour un démarrage à froid, placez 4 à 5 morceaux de papier journal dans la chambre de combustion. Sur le dessus du journal, déposez 2,5 lb de bois d'allumage dans un emplacement aléatoire pour assurer la circulation de l'air à travers le bois d'allumage. Sur le bois d'allumage, placez environ 3,5 à 4 lb de petits morceaux de bois de corde. **REMARQUE:** Utilisez de plus petits morceaux de bois pendant le démarrage et un taux de combustion élevé pour augmenter la température du poêle.



Tirez complètement la commande d'air (en position «HI»). Allumez le journal et laissez la porte légèrement ouverte pendant environ une minute. **REMARQUE:** Vous devrez peut-être la laisser ouverte un peu plus longtemps, selon la hauteur de votre cheminée et les conditions extérieures. Après une minute (ou une fois que le feu est bien allumé), fermez la porte et laissez le petit bois s'enflammer. Une fois que le bois d'allumage a brûlé jusqu'à un lit de charbon de démarrage, chargez l'unité avec environ 14 lb de carburant pour la première charge de combustion élevée.



Après la première charge de combustion élevée et le poêle bien réchauffé, réglez l'appareil au besoin pour un réglage de combustion moyenne ou faible. Pour une combustion moyenne, réduisez à un lit de charbon établi, chargez l'appareil avec 16 livres de bois de chauffage et fermez la porte immédiatement. Laissez la commande d'air complètement ouverte (en position «HI») pendant 5 minutes. Après 5 minutes, la commande d'air peut être mise en réglage moyen à environ 50% de la tige coulissante, entre réglage bas et haut. Pour un réglage de combustion à faible feu, suivez la même procédure qu'une combustion moyenne pour le chargement et l'allumage initial. Après 5 minutes de combustion, déplacez lentement la lame d'air sur le réglage moyen (fermé à 50%). Après 3-4 minutes, réglez l'entrée d'air au minimum (réglage le plus bas). La tige de la glissière d'air doit être complètement enfoncée. Remarque : La procédure de fermeture doit prendre environ 10 minutes. Fermer l'air trop rapidement fera fumer le poêle.

plus ensablée possible. La couche supérieure de bois doit être protégée de l'élément mais pas des côtés. Un bon indicateur pour savoir si le bois est prêt à brûler est de vérifier les extrémités des pièces. Si des fissures rayonnent dans toutes les directions à partir du centre, le bois doit être suffisamment sec pour brûler. Si votre bois gésille dans le feu, même si la surface est sèche, il se peut qu'il ne soit pas complètement durci et devrait être séché plus longtemps. Il est **EXTRÊMEMENT IMPORTANT** d'utiliser du BOIS SEC uniquement dans votre poêle à bois. Le bois doit avoir séché pendant 9 à 15 mois, de sorte que la teneur en humidité (en poids) soit réduite en dessous de 20% du poids de la bûche. Il est très important de garder à l'esprit que même si le bois a été coupé pendant un, deux ans ou même plus, il n'est pas nécessairement sec s'il a été stocké dans de mauvaises conditions. Dans des conditions extrêmes, il peut pourrir au lieu de sécher. Ce point ne peut pas être surestimé; la grande majorité des problèmes liés au fonctionnement d'un poêle à bois est due au fait que le bois utilisé était trop humide ou avait séché dans de mauvaises conditions. Ces problèmes peuvent être:

- problèmes d'allumage
- accumulation de créosote provoquant des feux de cheminée
- faible rendement énergétique
- fenêtres noircies
- combustion de bûches incomplète

## Ne brûlez pas de bûches fabriquées à partir de sciure de bois imprégnée de cire ou de bûches contenant des additifs chimiques.

### TESTER VOTRE BOIS

- Lorsque le poêle est bien réchauffé, placez un morceau de bois fendu (environ cinq pouces de diamètre) parallèle à la porte sur le lit de braises rouges.

- Gardez la commande d'air complètement ouverte et fermez la porte. Si le bois s'enflamme dans les 90 secondes suivant le moment où il a été placé dans le poêle, votre bois est correctement séché. Si l'allumage prend plus de temps, votre bois est humide.
- Si votre bois siffle et que de l'eau ou de la vapeur s'échappe aux extrémités de la pièce, votre bois est trempé ou fraîchement coupé (vert). N'utilisez pas ce bois dans votre poêle. De grandes quantités de créosote pourraient se déposer dans votre cheminée, créant des conditions potentielles pour un feu de cheminée.

### ALTERER AVERTISSEMENT

Ce chauffage au bois a un taux de combustion minimum réglé à la fabrication, et qui ne peut être modifié. La modification de ce réglage ou une utilisation autre de ce chauffage au bois qui ne respecterait pas les directives du présent manuel contrevient aux réglementations fédérales.

### EFFICACITÉ

Les rendements peuvent être basés sur la valeur calorifique inférieure (LHV) ou la valeur calorifique supérieure (HHV) du combustible. La valeur calorifique inférieure est lorsque l'eau quitte le processus de combustion sous forme de vapeur, dans le cas des poêles à bois, l'humidité du bois brûlé quitte le poêle sous forme de vapeur. Le pouvoir calorifique supérieur est lorsque l'eau quitte le processus de combustion complètement condensée. Dans le cas des poêles à bois, cela supposerait que les gaz d'échappement sont à température ambiante à la sortie du système, et donc les calculs utilisant cette valeur de chauffage considèrent la chaleur qui monte dans la cheminée comme une énergie perdue. Par conséquent, l'efficacité calculée en utilisant le pouvoir calorifique inférieur du bois sera supérieure à l'efficacité calculée en utilisant le pouvoir calorifique supérieur. La meilleure façon d'atteindre des rendements optimaux est d'apprendre les caractéristiques de combustion de votre appareil et de brûler du bois bien séché. Des taux de combustion plus élevés ne sont pas toujours les meilleurs taux de combustion par chauffage; après avoir établi un bon feu, un taux de combustion inférieur peut être une meilleure option pour un chauffage efficace. Un taux de combustion inférieur ralentit le flux de chaleur utilisable hors de la maison par la cheminée, et il consomme également moins de bois.

### NOTIFICATION - LES PREMIERS FEUX POUR SÉCHER LA PEINTURE

À CAUSE DES HAUTES TEMPÉRATURES ATTEINTES LORS DU FONCTIONNEMENT, CET APPAREIL EST REVÊTU D'UNE PEINTURE SPÉCIALE CONÇUE POUR LES HAUTES TEMPÉRATURES. ELLE EXIGE UNE SÉRIE DE FEUX À INTENSITÉ BASSE ET MOYENNE POUR SÉCHER ENTièrement ET AINSI GARANTIR LA DURABILITÉ ET LA VIE DE SERVICE.

Le séchage correct de la peinture à haute température exige une série de trois feux initiaux. L'appareil devrait être refroidi entre chaque feu. Les deux premiers feux devraient être des petits feux à température basse (250° F) pour une durée de 20 minutes chacun. Le troisième feu devrait être à une température moyenne (500° F à 700° F) pendant 20 minutes. Avez de façon suffisante pour éliminer la fumée ou les odeurs causées par ces feux.

**Remarque: utilisez uniquement du bois de chauffage solide! Ne brûlez pas les ordures ou les liquides inflammables. N'utilisez pas de charbon. Cet appareil n'est pas conçu pour accueillir le débit d'air (tirage) requis pour brûler correctement le charbon ou les produits du charbon. Ne pas élever le feu à l'aide de grilles ou de fers. Construisez le feu directement sur la brique réfractaire.**

### INSTRUCTIONS DE RAVITALEMENT

Ce poêle à bois a été certifié par l'US EPA pour répondre aux strictes directives 2020. Pour garantir que cet appareil produit les émissions minimales optimales, il est essentiel



**NE JAMAIS UTILISER CE PRODUIT SANS SURVEILLANCE**

**UTILISATION DU POËLE À BOIS**

1. Votre appareil de chauffage a été conçu pour brûler uniquement du bois naturel bien séché; aucun autre matériau ne doit être brûlé. N'importe quel type de bois naturel bien séché peut être utilisé dans votre poêle, mais certains variétés ont de meilleurs rendements énergétiques que d'autres. Des rendements plus élevés et des émissions plus faibles résultent généralement de la combustion de bois durs séchés à l'air, par rapport aux résineux ou aux feuillus trop verts ou fraîchement coupés. Les ressources suivantes peuvent aider à apprendre les caractéristiques de combustion de diverses essences de bois: <http://firewoodresources.com/firewood-btu-ratings/>; ou <https://forestry.nsn.edu/forest-products/wood-heatng>.

Le fonctionnement de ce poêle à bois d'une manière non conforme au manuel du propriétaire annulera votre garantie et est également contraire à la réglementation fédérale. Les déchets et autres matériaux inflammables ne doivent pas être brûlés dans votre poêle. **NE BRÛLEZ PAS:**

1. Des ordures;
2. Des déchets de tonte ou résidus de jardin;
3. Des matériaux contenant du caoutchouc, incluant les pneus;
4. Matériaux contenant du plastique;
5. Des déchets de produits du pétrole, des peintures ou diluants à peinture, ou des produits d'asphalte;
6. Matériaux contenant de l'amiante;
7. Débris de construction ou de démolition;
8. Traverses de voie ferrée ou bois traité sous pression;
9. Fumier ou restes d'animal;
10. Bois de grève en eau salée ou autres matériaux précédemment saturés par de l'eau salée;
11. Bois non séché; ou
12. Produits du papier, carton, contreplaqué, ou panneau d'interdit pas l'utilisation d'allume-feu composés de papier, carton, sciure de bois, cire et substances similaires, aux fins de démarrer le feu dans un chauffage au bois modifié.

La combustion de ces matériaux peut entraîner la libération de fumées toxiques ou rendre le radiateur inefficace et provoquer de la fumée. Le bois mort posé sur le sol forestier doit être considéré comme humide et nécessite un temps de séchage complet. Le bois mort sur pied peut généralement être considéré comme environ 2/3 assaisonné. Les petits morceaux de bois séchent plus rapidement. Toutes les bûches de plus de 6 po de diamètre doivent être fendues. Le bois ne doit pas être stocké directement sur le sol. L'air devrait circuler dans les bûches. Un espace d'air de 24 po à 48 po doit être laissé entre chaque rangée de bûches, qui doivent être placées à l'endroit le

**DÉPÔTS: RISQUES D'INCENDIE MAISON**

- NE CONSERVEZ PAS LE BOIS SUR UN PROTECTEUR DE PLANCHER, SOUS LES TUYAUX DE POËLE OU N'IMPORTE O DANS LES DÉGAGEMENTS DES SURFACES COMBUSTIBLES SPÉCIFIÉES POUR CET APPAREIL.
- NE JAMAIS FAIRE FONCTIONNER AVEC DES TUBES SECONDAIRES, UN CARTON DE FIBRE OU UNE ISOLATION RETIRÉE.

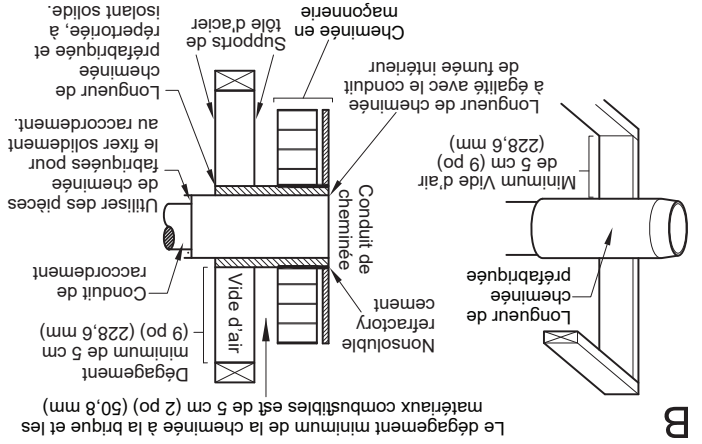
**PRÉCAUTIONS DE SÉCURITÉ LORS DE L'UTILISATION**

- NE JAMAIS SURCHAUFFER CET APPAREIL EN FAISANT DES FEUX EXCESSIVEMENT CHAUDS, CAR UN INCENDIE POURRAIT EN RÉSULTER DANS UNE MAISON OU UN BÂTIMENT. VOUS SURCHAUFFEZ L'APPAREIL S'IL COMMENCE À BRÛLER OU À DEVENIR ROUGE.
- NE JAMAIS FAIRE DE FEUX EXCESSIVEMENT GRANDS DANS CE TYPE D'APPAREIL, CAR CELA POURRAIT ENDOMMAGER LA CHAMBRE DE COMBUSTION OU PROVOQUER UNE FUITE DE FUMÉE.
- NE FAITES PAS DE FEU TROP PRÈS DU VERRE.
- CHAUD PENDANT LE FONCTIONNEMENT. ÉLOIGNEZ LES ENFANTS, LES VÊTEMENTS ET LES MEUBLES. LE CONTACT PEUT PROVOQUER DES BRÛLURES CUTANÉES. NE TOUCHEZ PAS L'APPAREIL TANT QU'IL N'A PAS REFROIDI.
- FOURNIR UN AIR SUFFISANT POUR LA COMBUSTION DANS LA PIÈCE OÙ L'APPAREIL EST INSTALLÉ.
- INSPECTEZ LE REVÊTEMENT DE CHEMINÉE TOUTS LES 60 JOURS. REMPLACEZ IMMÉDIATEMENT LA DOUBLURE SI ELLE ROUILLE OU SI DE LA FUMÉE FUIT DANS LA PIÈCE.
- LES TENTATIVES POUR ATTEINDRE DES TAUX DE PRODUCTION DE CHALEUR QUI DÉPASSENT LES SPÉCIFICATIONS DE CONCEPTION DU RÉCHAUFFEUR PEUVENT ENTRAÎNER DES DOMMAGES PERMANENTS AU RÉCHAUFFEUR.

**AVERTISSEMENT: RISQUE D'EXPLOSION**

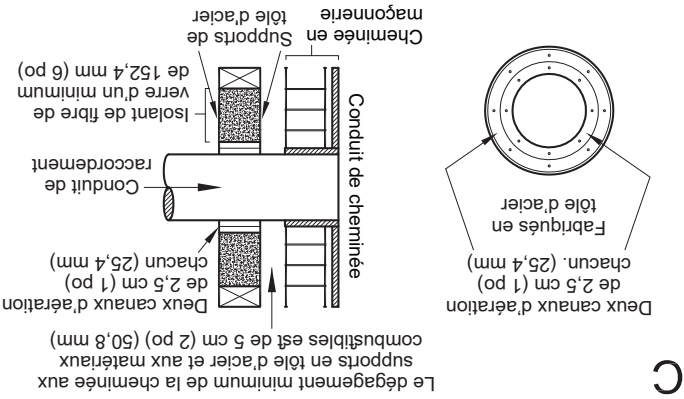
- N'UTILISEZ JAMAIS DE PRODUITS CHIMIQUES, ESSENCE, CARBURANT DE LANTERNE DE TYPE ESSENCE, KÉROËNE, LIQUIDES D'ALLUMAGE RAPIDE POUR CHARBON OU FLUIDES SIMILAIRES INFLAMMABLES POUR COMMENCER OU BIEN ATTISER UN FEU DANS L'APPAREIL.
- GARDEZ LES LIQUIDES INFLAMMABLES, SURTOUT L'ESSENCE, ÉLOIGNÉS DE L'APPAREIL - QUE CE SOIT DANS UN BUT D'UTILISATION OU DE STOCKAGE.

**Méthode B.** Dégagement de 9 po (228,6 mm) avec un membre de paroi combustible: En utilisant une partie de cheminée Solid-Pak fabriquée en usine, agrée, de 6 po (152,4 mm) de diamètre intérieur avec une isolation de 1 po (25,4 mm) ou plus, construisez un passage à travers la paroi extérieure de la longueur de la cheminée et les matériaux combustibles de la paroi. Utilisez des supports en tôle fixés de façon sûre aux surfaces de la paroi sur tous les côtés afin de maintenir une couche d'air de 9 po (228,6 mm). Lors de la fixation des supports sur la longueur de la cheminée, ne pénétrez pas dans le revêtement de la cheminée (la paroi intérieure de la cheminée Solid-Pak devra affleurer l'intérieur du carneau de la cheminée en maçonnerie, et être scellée avec un ciment réfractaire non soluble dans l'eau. Utilisez ce ciment pour également calfeutrer la pénétration de la maçonnerie en briques.



**Méthode C.** Dégagement de 6 po (152,4 mm) avec un membre de paroi combustible: En commençant avec un raccord de cheminée métallique de 6 po (152,4 mm) de calibre 24 (0,024 po [0,61 mm]), et un manchon mural ventilé de calibre 24 minimum ayant deux conduits d'air de 1 po (25,4 mm) chacun, construisez un passage à travers la paroi. Il devra y avoir une zone de séparation de 6 po (152,4 mm) minimum contenant une isolation en fibre de verre, à partir de la surface extérieure du manchon mural jusqu'aux matériaux combustibles de la paroi. Soutenez le manchon mural et couvrez son ouverture avec un support métallique en tôle de calibre 24 minimum. Maintenez un espace de 6 po (152,4 mm). Il devra également y avoir un support dimensionné pour adapter et maintenir le raccord de cheminée métallique. Vérifiez que les supports soient fixés de façon sûre aux surfaces de la paroi sur tous les côtés. Assurez-vous que les éléments de fixation utilisés pour maintenir le raccord de cheminée métallique ne pénétrent pas dans le revêtement du carneau de la cheminée.

**Méthode D.** Dégagement de 2 po (50,8 mm) avec un membre de paroi combustible: Commencez avec une partie de cheminée Solid-Pak fabriquée en usine, agrée, d'au moins 12 po (304 mm) de diamètre intérieur avec une isolation de 1 po (25,4 mm) ou plus, et un raccord de cheminée de 8 po de diamètre intérieur (de 2 pouces [51 mm] plus grand que celui de 6 po [152,4 mm]). Utilisez celle-ci comme passage pour un raccord de cheminée métallique pour paroi unique de calibre 24 minimum. Maintenez la section concentrique solid-pak avec le raccord de la cheminée et à une distance de 1 po (25,4 mm) de ce dernier grâce aux platines-supports en tôle situées aux deux extrémités de la section de la cheminée. Couvrez l'ouverture et soutenez la section de la cheminée des deux côtés à l'aide de supports métalliques en tôles de calibre 24 minimum. Vérifiez que les supports soient fixés de façon sûre aux surfaces de la paroi sur tous les côtés. Assurez-vous des éléments de fixation utilisés pour maintenir le conduit de carneau de la cheminée.



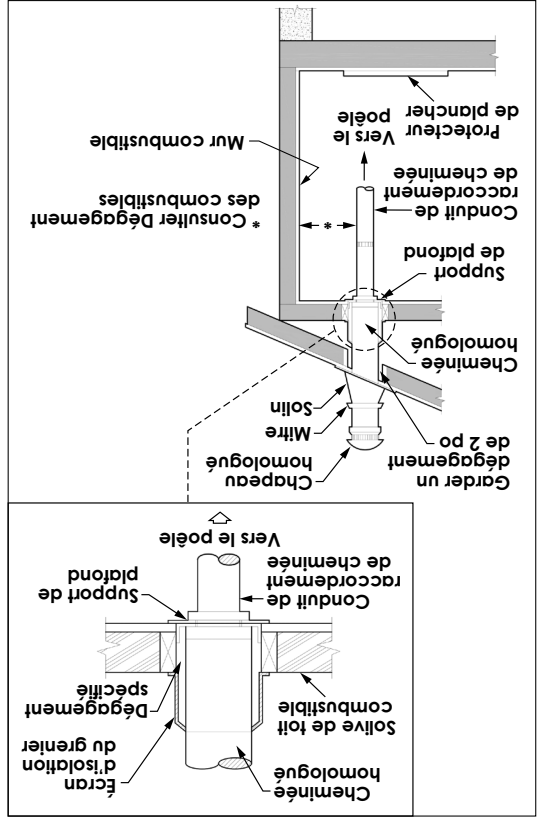
- REMARQUES:**
- Les raccords d'une cheminée de maçonnerie, sauf ceux de la méthode B, devront s'étendre sur une section continue à travers le système de passage mural et la paroi de la cheminée, jusqu'à la surface du revêtement intérieur du carneau mais sans le dépasser.
  - Un raccord de cheminée ne devra pas passer à travers un grenier ou un espace du toit, des toillettes ou des espaces confinés similaires, un plancher ou un plafond.



- Le tirage entraîné par la tendance de l'air chaud à s'élever sera augmenté avec une cheminée intérieure.
- L'utilisation d'un pare-feu à l'extrémité de la cheminée requiert une inspection régulière afin de garantir qu'il n'est pas obstrué, bloquant donc le tirage et devra être nettoyé lorsqu'il est utilisé régulièrement.

**CHEMINÉE FABRIQUÉE EN USINE**

Lorsqu'une cheminée métallique préfabriquée est utilisée, les instructions d'installation du fabricant doivent être respectées. Vous devez également acheter (auprès du même fabricant) et installer l'ensemble de support du toit ou le passage du toit et l'ensemble de la partie en "T", des coupe-feux (si nécessaires), un écran d'isolation, un chaperon de toiture, un chapeau de cheminée, etc. Maintenez un dégagement approprié avec la structure tel que recommandé par le fabricant. La cheminée doit avoir la hauteur requise au-dessus du toit ou d'autres obstructions pour des raisons de sécurité et un bon tirage.

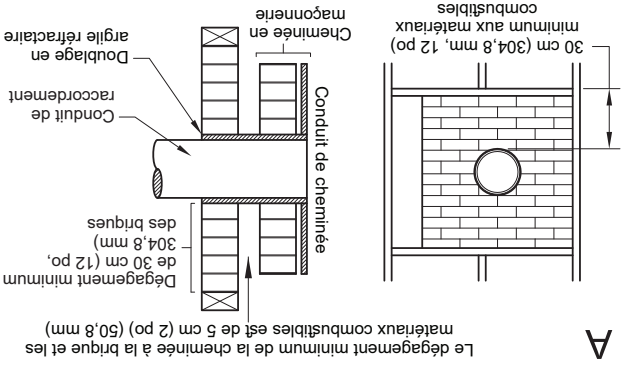
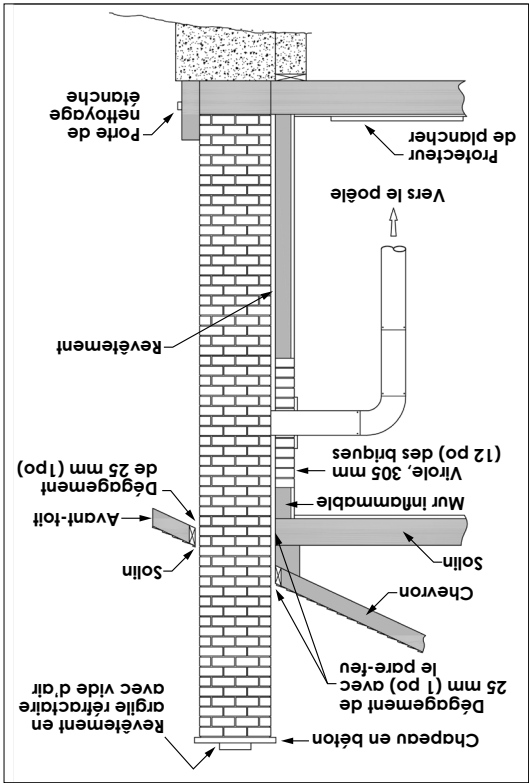


**CHEMINÉE EN MAÇONNERIE**

Assurez-vous qu'une cheminée en maçonnerie répondre aux standards minimum de l'Association nationale de protection contre les incendies (NFPA) en la faisant inspecter par un professionnel. Assurez-vous qu'il n'y ait pas de fissures, de mortiers perdus ou d'autres signes de détérioration et de blocage. Faites nettoyer la cheminée avant d'installer et de fonctionner le poêle. Lors du raccordement du poêle à travers une paroi combustible vers une cheminée en maçonnerie, des méthodes spéciales sont requises.

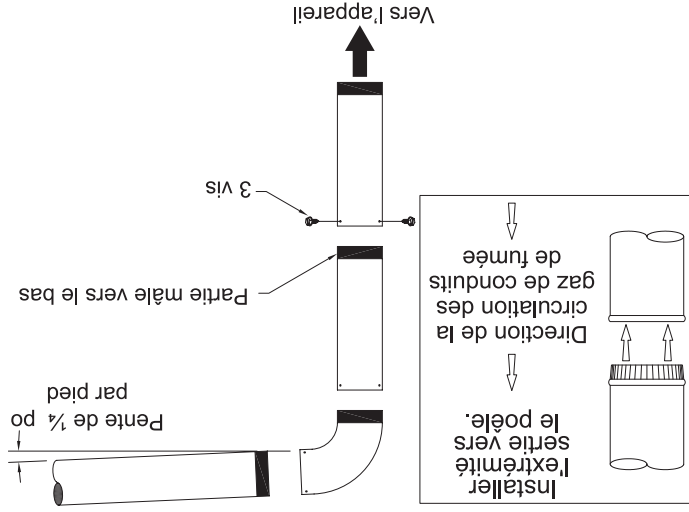
**PASSAGES DE RACCORDEMENT DE CHEMINÉE À TRAVERS UNE PAROI COMBUSTIBLE**

Méthode A. Dégagement de 12 po (304,8 mm) avec un membre de paroi combustible: En utilisant des briques d'une épaisseur minimale de 3,5 po (89 mm) et un revêtement en argile d'une épaisseur minimale de 5/8 po (15,9 mm), construisez un passage à travers la paroi. Le revêtement en argile doit être conforme à l'ASTM C315 (Spécification standard des revêtements réfractaires en argile) ou son équivalent. Maintenez un minimum de 12 po (304,8 mm) de maçonnerie en briques entre le revêtement en argile et les matériaux combustibles de la paroi. Le revêtement en argile devra s'étendre de la surface extérieure de la maçonnerie en briques jusqu'à la surface intérieure du revêtement du carneau de la cheminée mais pas au-delà de la surface intérieure. Coulez ou cimentez fermement le revêtement en argile en place dans le revêtement du carneau de la cheminée.

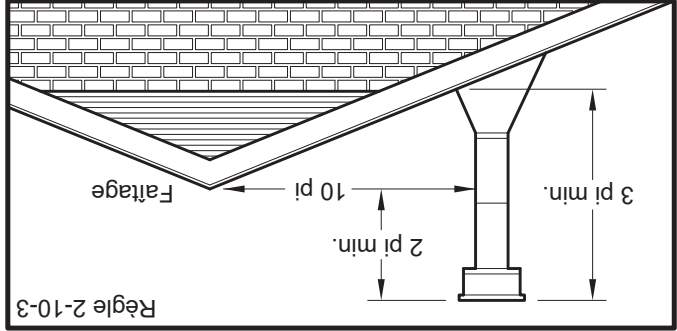


Le dégagement minimum de la cheminée à la brique et les matériaux combustibles est de 5 cm (2 po) (50,8 mm)

## RACCORD DE CHEMINÉE (TUYAU PLISSÉ)



l'appareil dans la pièce, s'infiltrant par l'appareil, et les joints du conduit de raccordement. Un brulage incontrôlable ou une température excessive indique un tirage excessif.



Votre poêle à bois peut être raccordé à une cheminée préfabriquée de 6 po ou en maçonnerie. Si vous utilisez une cheminée préfabriquée, elle doit être conforme à la norme UL 103 ou CAN/ULC-S629; il doit donc s'agir d'un type HT (2100 ° F). Il doit être installé conformément aux spécifications du fabricant. Tenez compte de l'emplacement de la cheminée pour vous assurer qu'elle n'est pas trop près des voisins ou dans une vallée, ce qui peut causer des conditions insalubres ou nuisibles. Si vous utilisez une cheminée en maçonnerie, elle doit être construite conformément aux spécifications du Code national du bâtiment. Il doit être recouvert de briques d'argile réfractaire, de tuiles métalliques ou d'argile scellées avec du ciment réfractaire. Les conduits ronds sont les plus efficaces. Le diamètre intérieur du conduit de cheminée doit être identique à celui de l'évacuation des fumées du poêle. Un conduit trop petit peut poser des problèmes de tirage, tandis qu'un gros conduit favorise un refroidissement rapide du gaz, et donc l'accumulation de crésote et le risque d'incendies de cheminée. Notez que c'est la cheminée et non le poêle qui crée l'effet de tirage; la performance de votre poêle dépend directement d'un tirage adéquat de votre cheminée. **Ne raccordez pas cet appareil à un conduit de cheminée desservant un autre appareil.** Les recommandations suivantes peuvent être utiles pour l'installation de votre cheminée:

1. Ne connectez pas cette unité à un carneau de cheminée utilisé par un autre appareil.
2. Elle doit s'élever au-dessus du toit d'au moins 3 pi (0,9 m) à partir du point le plus haut de contact.
3. La cheminée doit dépasser toute partie de la construction ou autre obstruction à moins de 10 pi (3,04 m) d'une hauteur de 2 pi (0,6 m).
4. L'installation d'une cheminée intérieure est toujours préférable à une cheminée extérieure. En effet, la cheminée intérieure, sera, par définition, plus chaude qu'une cheminée extérieure, étant donné qu'elle est chauffée par l'air ambiant de la maison. Par conséquent, le gaz qui circule se refroidira plus lentement, réduisant ainsi l'accumulation de crésote et le risque de feux de cheminée.

Le raccord de cheminée et la cheminée doivent avoir le même diamètre que la sortie du poêle (6"). Si ce n'est pas le cas, nous vous recommandons de contacter votre revendeur pour vous assurer qu'il n'y aura pas de problème avec le tirage. Le tuyau de poêle doit être en acier aluminisé ou laminé à froid et avoir une épaisseur minimale de 0,021 po ou 0,53 mm. Il est strictement interdit d'utiliser de l'acier galvanisé. Le tuyau de fumée doit être assemblé pour favoriser la section mâle (extrémité sertie) du tuyau à être tournée vers le bas. Fixez chaque section à une autre avec trois vis métalliques espacées d'une distance égale. Le tuyau doit être court et droit. Toutes les sections installées horizontalement doivent être inclinées d'au moins 1/4 de pouce par pied, avec l'extrémité supérieure de la section vers la cheminée. Toute installation avec un tuyau de cheminée horizontal doit être conforme à la norme NFPA 211. Pour assurer un bon tirage, la longueur totale du tuyau de couplage ne doit jamais dépasser 8 pi à 10 pi (2,4 m à 3,04 m). Surt pour les cas d'installation verticale, dans un style toit cathédrale où le système d'évacuation des fumées peut être beaucoup plus long et raccorder sans problème à la cheminée au plafond de la pièce. Il ne devrait jamais y avoir plus de deux coudes à 90 degrés dans le système d'évacuation des fumées. L'installation d'un «stabilisateur de tirage barométrique» (registre de cheminée) sur un système d'évacuation des fumées est interdite. De plus, l'installation d'un registre de tirage n'est pas recommandée. Avec un poêle à bois à combustion contrôlée, le tirage est régulé à l'entrée de l'air de combustion dans le poêle et non à l'échappement.

## IMPORTANT D'UN TIRAGE ADEQUAT

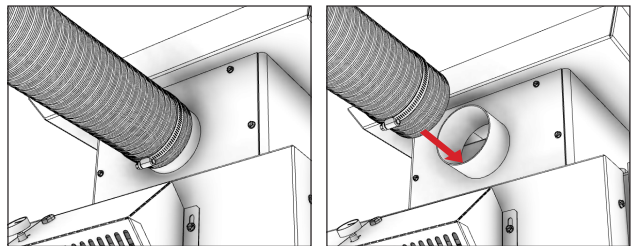
Le tirage est une force déplaçant l'air de l'appareil vers la cheminée. La quantité de tirage dans votre cheminée dépend de la longueur de la cheminée, son emplacement géographique local, les obstructions à proximité et d'autres facteurs. Trop de tirage peut causer des températures excessives dans l'appareil et pourrait l'endommager. Un tirage inadéquat peut causer des retours de fumée dans la pièce et causer l'obturation de la cheminée. Un tirage inadéquat causera des fuites de fumée par

3. Ouvrir légèrement une fenêtre lors d'un jour calme « sans vent » réduit les symptômes ci-dessus.

4. La maison est équipée d'un pare-vapeur parfaitement étanche et de fenêtres bien ajustées et/ou dispose d'appareils électriques qui expulsent l'air de la maison.

5. Il y a une condensation excessive sur les vitres en hiver.

6. Un système de ventilation est installé dans la maison.



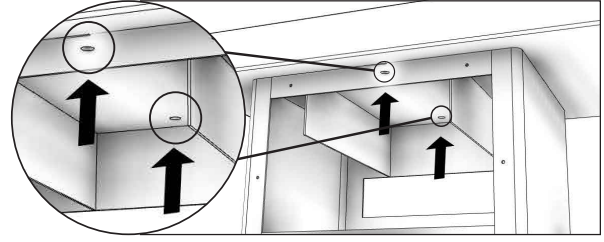
Faites glisser le collier de serrage sur le tuyau flexible en aluminium. Ensuite, glissez le tuyau flexible sur le tube d'admission d'air du poêle. Serrez ensuite le collier de serrage sur l'extrémité du tuyau flexible en aluminium.

## POUR UTILISATION DANS DES MAISONS MOBILES/ BÂTIMENTS PORTATIFS

- ATTENTION! NE PAS INSTALLER DANS LA CHAMBRE À COUCHER.
- MISE EN GARDE! L'INTÉGRITÉ STRUCTURELLE DU PLANCHER, DU MUR ET DU PLAFOND / DU TOIT DE LA MAISONS MOBILES/BÂTIMENTS PORTATIFS DOIT ÊTRE MAINTENUE.
- INSTALLER CONFORMÈMENT AU 24 CFR, PARTIE 3280 « HUD ».
- UTILISEZ UNE CHEMINÉE FABRIQUÉE EN USINE ET CONFORME AUX NORMES UL 103. CELA DOIT DONC ÊTRE UN TYPE HT « 2100°F ».
- UTILISEZ UN AGRESSEUR À ÉTINCELLES
- LE POÊLE DOIT ÊTRE FIXÉ À LA STRUCTURE DE LA MAISONS MOBILES/BÂTIMENTS PORTATIFS. UTILISEZ LES DEUX « 2 » TROUS AU FOND DU PIÉDESTAL DE LA RADIATEUR POUR FIXER L'APPAREIL AU SOL.

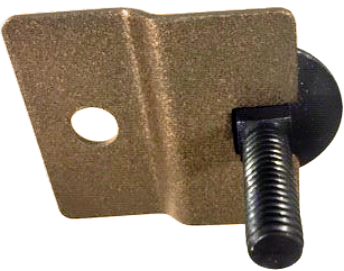
## FIXATION DE L'APPAREIL SUR UN PIÉDESTAL AU SOL

Utilisez les trous désignés pour fixer l'unité au sol.



## FIXATION DE L'APPAREIL AVEC LES PIEDS AU SOL

1. Le support s'engage autour de l'extrusion carrée du boulon de nivellement inséré dans le pied.
2. Une fois l'appareil nivelé, positionnez le support et fixez-le au sol à l'aide du matériel approprié nécessaire pour votre revêtement de sol spécifique.
3. Installez un support par pied ou consultez les autorités locales compétentes pour déterminer le nombre de points de fixation requis.



En plus des exigences d'installation précédemment détaillées, les installations de maisons mobiles/bâtimENTS portatifs doivent répondre aux exigences suivantes:

- Le radiateur doit être raccordé à une cheminée préfabriquée conforme à la norme CAN / ULC-S629, Norme pour les cheminées préfabriquées à 650 ° C.
- Le radiateur doit être fixé en permanence au sol. Il y a deux trous dans la base du piédestal, utilisez des boulons de 3/8 po à travers le plancher.
- Le radiateur doit être mis à la terre électriquement au châssis en acier de la maison mobile/bâtimENTS portatifs avec un fil de cuivre de 8 GA à l'aide d'une rondelle dentelée ou en étoile pour pénétrer la peinture ou le revêtement protecteur afin d'assurer la mise à la terre.

Lors du déménagement de votre maison mobile/bâtimENTS portatifs, toute ventilation extérieure doit être enlevée pendant le déplacement de la maison mobile/bâtimENTS portatifs. Après le déplacement, tous les événements doivent être réinstallés et solidement fixés.

L'air extérieur est obligatoire pour l'installation d'une maison mobile/bâtimENTS portatifs. Consultez votre revendeur pour l'achat.

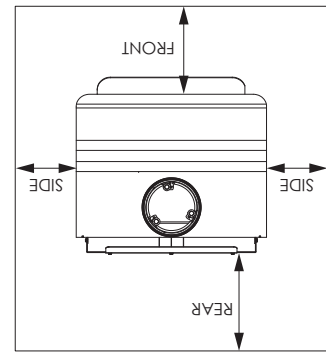
Vérifiez auprès de vos responsables locaux du bâtiment car d'autres codes peuvent s'appliquer.

Utilisez uniquement les composants spécifiés répertoriés dans ce manuel pour cet appareil. L'utilisation de composants qui ne sont pas destinés à cet appareil peut entraîner des conditions dangereuses.

## POUR L'ASSISTANCE TECHNIQUE, APPELEZ: 800-750-2723 EXT 5050

### PROTECTEUR DE PLANCHER

Cet appareil de chauffage doit avoir un protecteur de plancher non combustible (protection contre les braises) installé en dessous si le plancher est en matériau combustible. Si un tapis de sol est utilisé, il doit être homologué UL ou égal. Le coussin de plancher ou la surface non combustible doit être suffisamment grand pour s'étendre sous le poêle et au-delà de chaque côté, comme indiqué. S'il y a un tuyau horizontal de tuyau de fumée, il doit y avoir une protection de plancher en dessous qui s'étend de deux pouces au-delà de chaque côté du tuyau.



De face	*16 po (407 mm)
Côtés	8 po (204 mm)
Arrière	2 po (51 mm)
* Les installations canadiennes nécessitent 18 po (457 mm).	

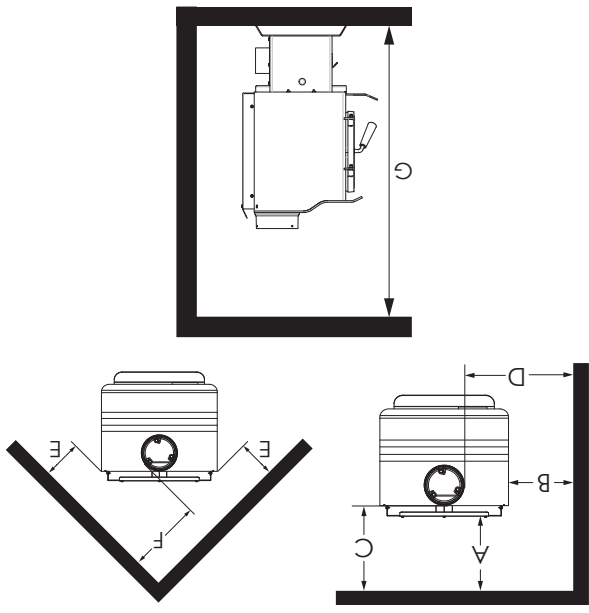
### DÉGAGEMENTS AUX COMBUSTIBLES

- Il est de la plus haute importance que les dégagements aux matériaux combustibles soient strictement respectés lors de l'installation du poêle.
- Ne placez aucun matériau combustible à moins de 4 pi (1,2 m) de l'avant de l'appareil.
- La hauteur du sol au plafond doit être d'au moins 7 pi (2,13 m) dans tous les cas.
- Le jeu entre le conduit de fumée et un mur n'est valable que pour les murs verticaux et pour le conduit de fumée vertical.
- Le raccord de cheminée ne doit pas traverser un grenier ou un espace sur le toit, un placard ou un espace dissimulé similaire, un plancher ou un plafond.
- Pour les installations canadiennes, où le passage à travers un mur ou une cloison de construction combustible est souhaité, l'installation doit être conforme à la norme CAN / CAN/ULC-S629.
- Pour réduire les dégagements du conduit de fumée par rapport aux matériaux combustibles, contactez votre service de sécurité local.

### AIR DE COMBUSTION EXTÉRIEUR

Votre poêle à bois est approuvé pour être installé avec une entrée d'air extérieur «4FAK» nécessaire pour une maison mobile/bâtiments portatifs. Ce type d'installation est également requis dans les maisons étanches et les maisons ayant des problèmes de pression négative. Vous pouvez acheter cette option auprès de votre vendeur d'appareils de chauffage. Assurez-vous d'indiquer le numéro de pièce mentionné dans ce livret. Les instructions relatives à l'installation sont fournies avec le kit d'admission d'air. L'air de combustion extérieur peut être requis si:

1. Votre poêle n'aspire pas de façon continue, une dispersion des fumées a lieu, le bois brûle mal, ou des contre-explosions se produisent qu'il y ait ou non des matières combustibles.
2. Les appareils à foyer existants au sein du domicile, tels que des cheminées ou d'autres appareils de chauffage, émettent des odeurs, ne fonctionnent pas correctement, émettent des fumées lorsqu'ils sont ouverts ou des contre-explosions se produisent qu'il y ait ou non des matières combustibles.



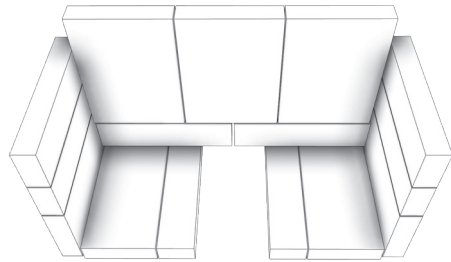
Tuyau à paroi simple

Clé	po	mm
A	17	432
B	21	534
C	20	508
D	29	737
E	14	356
F	22	559
G	7pi	2.13m



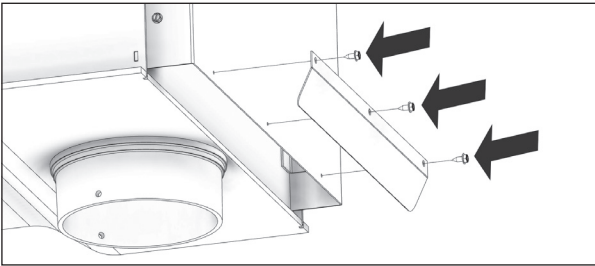
**CONFIGURATION DE BRIQUES RÉFRACTAIRES**

Remplacez la brique réfractaire comme indiqué sur l'illustration.



**ENSEMBLE DÉFLECTEUR D'AIR**

Utilisez les vis fournies pour fixer le déflecteur d'air à l'arrière de l'appareil.





**INSTALLATION**

**AVIS DE SÉCURITÉ:**

- L'INSTALLATION INCORRECTE DE CE POÊLE POURRAIT ENTRAÎNER L'INCENDIE DU DOMICILE. AFIN DE RÉDUIRE LE RISQUE D'INCENDIE, RESPECTEZ LES INSTRUCTIONS D'INSTALLATION. NE PAS RESPECTER LES INSTRUCTIONS PEUT ENTRAÎNER DES DOMMAGES MATÉRIELS, DES BLESSURES PERSONNELLES VOIRE LA MORT!
- CONSULTEZ LES FONCTIONNAIRES MUNICIPAUX DE CONSTRUCTION OU DE LUTTE CONTRE LES INCENDIES AFIN DE CONNAÎTRE LES LIMITATIONS ET LES EXIGENCES D'INSTALLATION DE VOTRE RÉGION.
- UTILISEZ DES DÉTECTEURS DE FUMÉE DANS LA PIÈCE DANS LAQUELLE LE POÊLE EST INSTALLÉ. MAINTENEZ LE MOBILIER ET LES RIDEAUX ÉLOIGNÉS DU POÊLE.
- N'UTILISEZ PAS D'ESSENCE, DE COMBUSTIBLE POUR LANTERNE À ESSENCE, DE KÉROÏËNE, DE LIQUIDE D'ALLUMAGE DE CHARBON OU DE LIQUIDES SIMILAIRES POUR DÉMARRER OU « RAVIVER » UN FEU DANS CE POÊLE. MAINTENEZ TOUS CES LIQUIDES ÉLOIGNÉS DU POÊLE.
- EN CAS D'INCENDIE DE CHEMINÉE, FERMEZ COMPLÈTEMENT LA COMMANDE D'AIR AFIN DE PRIVIER LE FEU D'OXYGÈNE. APPELEZ LES POMPIERS.
- NE CONNECTEZ PAS LE POÊLE À UN CONDUIT OU CIRCUIT DE DISTRIBUTION D'AIR.
- UNE SOURCE D'AIR FRAIS DANS LA PIÈCE OU L'ESPACE CHAUFFÉ DEVRA ÊTRE FOURNIE SI NÉCESSAIRE.
- CET APPAREIL DE CHAUFFAGE DE PIÈCE NE DOIT PAS ÊTRE INSTALLÉ DANS UN FOYER PRÉFABRIQUÉ.

**POSITIONNER LE POÊLE**

US Stove recommande fortement que votre poêle soit installé par un technicien qualifié NFI (US) ou WETT (Canada). Pour trouver l'installateur qualifié le plus proche, accédez à: <https://www.wettinc.ca/> or <https://www.nfi-certified.org/>

**NATIONAL FIREPLACE INSTITUTE**  
 We recommend that our woodburning hearth products be installed and serviced by professionals who are certified in the U.S. by the National Fireplace Institute® (NFI) as NFI Woodburning Specialists or who are certified in Canada by Wood Energy Technical Training (WETT).  
 www.nfi-certified.org  
  


Le poêle est fixé à la palette d'expédition avec 2 boulons. Un boulon est situé à l'avant et au centre de l'unité sous le cendrier. L'autre boulon est situé à l'arrière et au centre derrière le cendrier arrière de l'unité «voir la section «Utilisation dans une maison mobile/bâtiments portatifs» pour des informations supplémentaires». Il est très important de placer le poêle à bois le plus près possible de la cheminée et dans un endroit propice à la distribution de chaleur la plus efficace possible dans toute la maison. Le poêle doit donc être installé dans la pièce où le plus de temps est passé et dans la pièce la plus spacieuse possible. Rappelez-vous que les poêles à bois produisent une chaleur rayonnante, la chaleur que nous ressentons lorsque nous sommes près d'un poêle à bois. Un poêle à bois fonctionne également par convection, c'est-à-dire par le déplacement de l'air chaud accéléré vers le haut et son remplacement par de l'air plus froid. Si nécessaire, la distribution d'air chaud du poêle peut être facilitée par l'installation d'un ventilateur. Le poêle à bois ne doit pas être branché à un système de distribution d'air chaud, car une accumulation excessive de chaleur peut se produire. Un poêle à bois ne doit jamais être installé dans un couloir ou à proximité d'un escalier, car il pourrait bloquer le passage en cas d'incendie ou ne pas respecter les dégagements requis.

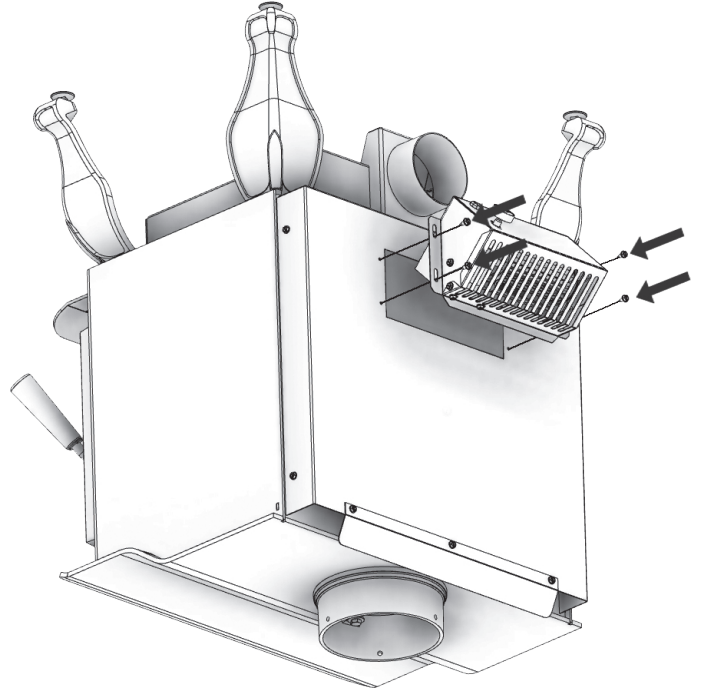
# INSTRUCTIONS DE MONTAGE

## DEBALLER ET INSPECTER

Retirez l'emballage de l'appareil et vérifiez s'il y a des dommages. Votre appareil est emballé avec le ressort de poignée de porte non installé. Assurez-vous que les briques sont correctement positionnées et ne sont pas cassées (voir l'illustration pour une disposition appropriée des briques). Assurez-vous que le déflecteur, au-dessus des tubes à air, est en place et en bon état.

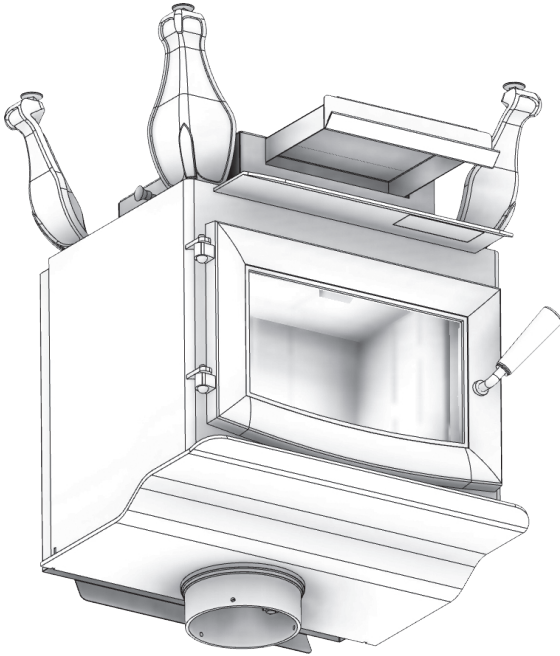
## ENSEMBLE DE VENTILATEUR

Le ventilateur doit être déconnecté de la source d'alimentation électrique avant de tenter l'installation. L'ensemble souffleur est destiné à être utilisé uniquement avec un poêle qui est marqué pour indiquer une telle utilisation. Ne faites pas passer le cordon d'alimentation à proximité ou sur des surfaces chaudes! Fixez l'ensemble à l'arrière du poêle avec les quatre vis fournies.



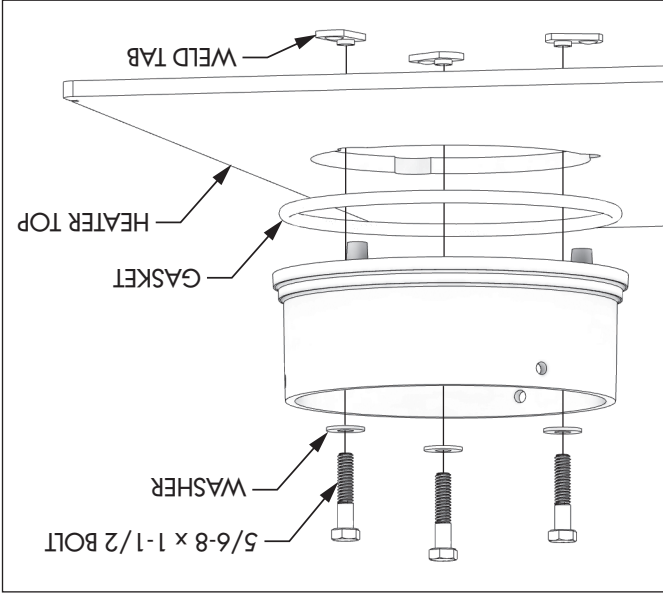
## ASSEMBLAGE DU BAC À CENDRES

Retirez le cendrier du foyer. Sous le foyer, il y a deux supports. Faites glisser le cendrier dans ces supports.



## ENSEMBLE COLLIER DE CHEMINÉE

Montez le collier de cheminée sur le dessus de l'unité comme illustré à l'aide des (3) boulons 5 / 16-18 x 1-1 / 2, (3) rondelles et (3) languettes de soudure fournies dans la boîte des pièces.



Votre poêle à bois ne doit être installé que par un installateur qualifié. Un installateur qualifié NFI peut être trouvé à [www.nficertified.org/public/find-an-nfi-pro/](http://www.nficertified.org/public/find-an-nfi-pro/)

## ASSISTANCE TECHNIQUE

1-800-750-2723 poste 5050

Texte au 423-301-5624

Envoyez un e-mail à: [customerservice@usstove.com](mailto:customerservice@usstove.com)

## LISTE DE CONTRÔLE DE MISE EN SERVICE

Cette liste de contrôle doit être remplie intégralement par la personne qualifiée qui installe cet appareil. Conservez cette page pour référence future.

Le fait de ne pas installer et mettre en service selon les instructions du fabricant et de remplir cette liste de contrôle annulera la garantie.

S'il te plaît imprime

Nom du client:		Numéro de Téléphone	
Adresse:			
Modèle:			
Numéro de série:			
Nom de la société d'installation:		Numéro de Téléphone:	
Nom du technicien d'installation:		Numéro de Licence:	

## DESCRIPTION DU TRAVAIL

Emplacement de l'appareil installé: \_\_\_\_\_

Système de cheminée: nouveau système de cheminée  Oui  Non si oui, marque \_\_\_\_\_

Si non, date d'inspection du système de cheminée existant: \_\_\_\_\_

## MISE EN SERVICE

- Confirmer l'installation du tapis de foyer conformément aux instructions d'installation
- Confirmer le bon placement des pièces internes
- Vérifier la solidité du joint de porte et de l'étanchéité de la porte
- Confirmer les dégagements aux combustibles selon les instructions d'installation de ce manuel
- Vérifier le fonctionnement des commandes pneumatiques
- Confirmer que tous les tuyaux de fumée et le système de cheminée sont sécurisés et scellés
- Confirmer que le poêle tire correctement lorsqu'il est allumé
- Assurez-vous qu'un avertisseur de CO est installé conformément aux codes du bâtiment locaux et qu'il est fonctionnel
- Expliquer le fonctionnement en toute sécurité, l'utilisation appropriée du carburant, le nettoyage et les exigences d'entretien courant

Déclaration d'achèvement: En tant que personne qualifiée responsable des travaux ci-dessus, je confirme que l'appareil en tant que travail associé a été installé conformément aux instructions du fabricant et en suivant les codes de construction et d'installation applicables.

Signé: \_\_\_\_\_ Nom en lettres moulées \_\_\_\_\_ Date: \_\_\_\_\_

**Propriétaire du domicile: CONSERVEZ CETTE INFORMATION POUR RÉFÉRENCE FUTURE**

Ce manuel décrit l'installation et le fonctionnement du chauffage au bois, Defender II, US1100E. Ce chauffage respecte les limites d'émission 2020 de bois en saison de la U.S. Environmentally Protection Agency pour les chauffages au bois solide après le 15 mai 2020. Sous les conditions spécifiques du test, ce chauffage a démontré un taux de chauffage de 13 846 à 39 683 Btu/h avec 2,4 g / h et 66% d'efficacité. Remarque: Les valeurs de BTU mentionnées ci-dessus sont basées sur le protocole de test EPA dans des conditions de test spécifiques. Nos BTU publiés sont basés sur la première heure de fonctionnement à un taux élevé de combustion brûlant du bois de corde.

Combustible:	Bois		
Couleurs:	Noir métallique		
Diamètre du tuyau de raccordement:	6 po (153 mm)		
Type du tuyau de raccordement:	Acier noir ou bleu à 650°C (2100°F)		
Hauteur minimale de la cheminée:	12 pi (3,7 m)		
Longueur maximale des bûches:	18 po (458 mm)		
Composants électriques	120VAC 0,55A 60HZ		
Dimensions			
Globale: Profondeur x Largeur x Hauteur:	US1100E (jamble)	21,3 po (542 mm)	24,5 po (623 mm)
	US1100E (piédestal)	21,1 po (536 mm)	22,5 po (572 mm)
Chambre de combustion: Largeur x profondeur:	18,25 po X 11,5 po (464 mm X 293 mm)		
Volume Firebox: Pieds cubes:	1,31 pieds cubes		
Ouverture de porte: Largeur x hauteur:	16 po X 9 po (407 mm X 229 mm)		
Porte en verre pyrocéramique: (Vue) Largeur x hauteur:	15" X 8" (391 mm X 204 mm)		

### MISES EN GARDE:

- CHAUD LORS DU FONCTIONNEMENT. GARDEZ LES ENFANTS, LES VÊTEMENTS ET LES MEUBLES ÉLOIGNÉS DE L'APPAREIL. UN CONTACT PEUT CAUSER DES BRÛLURES À LA PEAU.
- N'UTILISEZ PAS DE PRODUITS CHIMIQUES OU DE FLUIDES POUR ALLUMER LE FEU.
- NE LAISSEZ JAMAIS LE POÊLE SANS SURVEILLANCE LORSQUE LA PORTE EST OUVERTE, MÊME LÉGÈREMENT.
- NE BRÛLEZ PAS DE DÉCHETS OU DE FLUIDES INFLAMMABLES TELS L'ESSENCE, LE NAPHTHA OU L'HUILE À MOTEUR.
- NE CONNECTEZ PAS CE POÊLE SUR DES CONDUITS OU UN SYSTÈME DE DISTRIBUTION D'AIR.
- REFERMEZ TOUJOURS LA PORTE APRÈS L'ALLUMAGE.



**Remarque:** enregistrez votre produit en ligne sur [www.usstove.com](http://www.usstove.com) ou téléchargez l'application gratuite dès aujourd'hui. Cette application est disponible uniquement sur l'App Store pour iPhone et iPad. Recherchez US Stove. Conservez votre reçu avec vos dossiers pour toute réclamation.

Pour le service client, veuillez appeler: 1-800-750-2723 poste 5050 ou; Texte au 423-301-5624 ou; Écrivez-nous à: [customerservice@usstove.com](mailto:customerservice@usstove.com)



# Manuel d'instructions et d'utilisation du propriétaire

**UNITED STATES  
STOVE CO.**  
EST<sup>®</sup> 1869

Numéro De Modèle:

US1100E-P • US1100E-BP

US1100E-L • US1100E-BL



Signaler Le Numéro: F19-473

Testé selon les méthodes EPA ASTM E2515, ASTM

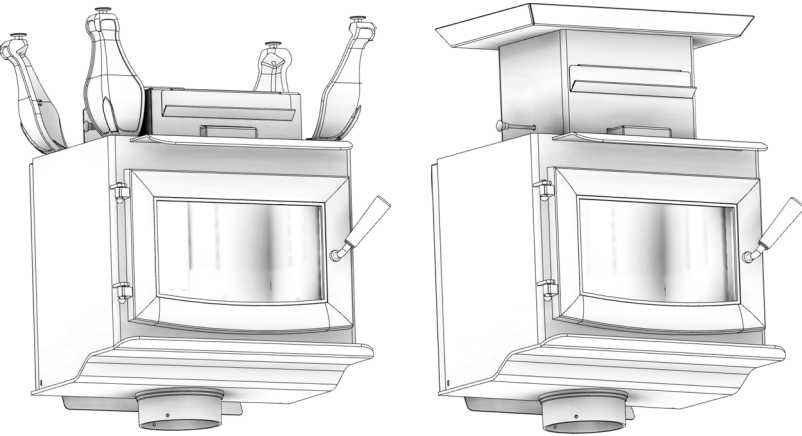
E3053-ATM et CSA B415

Certifié UL 1482-2022 et CAN/ULC S627:2023

Approuvé pour l'installation de maisons mobiles/

bâtiments portatifs aux États-Unis et au Canada

\* Toutes les images de ce manuel sont à des fins d'illustration uniquement. Le produit réel peut varier.



**AVIS DE SÉCURITÉ:** Si ce radiateur n'est pas correctement installé, un incendie peut en résulter. Pour votre sécurité, suivez les instructions d'installation. N'utilisez jamais de compromis de fortune lors de l'installation de ce radiateur. Contactez les responsables locaux du bâtiment ou des pompiers pour connaître les permis, les restrictions et les exigences d'installation dans votre région. **NE JAMAIS UTILISER CE PRODUIT SANS SURVEILLANCE.**



**MISE EN GARDE!** Veuillez lire l'intégralité de ce manuel avant d'installer ou d'utiliser votre nouveau radiateur. Le non-respect des instructions peut entraîner des dommages matériels, des blessures corporelles ou même la mort. Une installation incorrecte pourrait annuler votre garantie!

**AGENCE AMÉRICAINE DE PROTECTION  
DE L'ENVIRONNEMENT**

Certifié conforme aux normes d'émissions  
de particules 2020.



**AVERTISSEMENT SUR LA PROPOSITION 65 DE LA  
CALIFORNIE:**

Ce produit peut vous exposer à des produits chimiques, y compris le monoxyde de carbone, qui est connu dans l'État de Californie pour provoquer le cancer, des anomalies congénitales et / ou d'autres troubles de la reproduction. Pour plus d'informations, visitez [www.P65warnings.ca.gov](http://www.P65warnings.ca.gov)

CE MANUEL EST SUJET À MODIFICATION SANS PRÉAVIS.

4

3

2

1

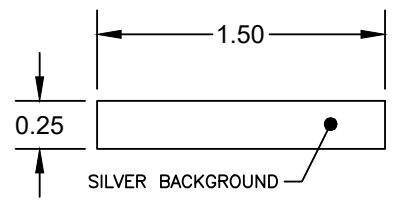
NOTES:

MATERIAL: 0.012 THK. ALUMINUM / 3M 9472 ADEHESIVE BACKED.

FINISH: BLACK BACKGROUND, ALUMINUM TO SHOW THRU (ALL TEXT AND ILLUSTRATIONS)

TEXT: ALL TEXT TO BE 0.06 HEIGHT MINIMUM

REVISION HISTORY			
REV	DESCRIPTION	DATE	BY
A	INITIAL RELEASE	1/11/19	SEH
B	CHANGED DEPTH AND WIDTH	9/5/19	SEH
C	CHANGED G/HR ADDED EFFICIENCY	10/17/19	SEH
D	REMOVED OVERALL DIM FOR STOVE	11/12/19	SEH
E	CHANGED CHIMNEY HEIGHT	3/10/20	SEH
F	ADDED COAL TO US STATEMENT & US1100EC	7/9/20	SEH
G	ADDED BOXES FOR P,BP,L,BL CHANGE ULC	1/12/21	SEH
H	ADDED WARNINGS UPDATED ULC AND UL	1/11/23	SEH
J	UPDATED EPA CERTS, G/HR AND EFFICIENCY	3/22/23	SEH

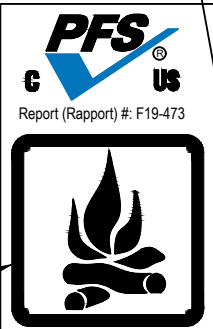


0.1 TEXT HEIGHT

0.1 TEXT HEIGHT

0.125 TEXT HEIGHT

1" X 1" SYMBOL AND BORDER TO BE RED



Model / Modèle: US1100E / US1100EC  
 Certified to / Certifié à: UL 1482-2022, CAN/ULC-S627:2023

- P -L
- BP -BL

U.S. ENVIRONMENTAL PROTECTION AGENCY  
 Certified to comply with 2020 particulate emission standards using cordwood. Tested Per EPA Methods ASTM E2515, ASTM E3053-ATM and CSA B415.1-10 - 2.4 g/hr. 66% Efficiency.

Manufacture Date. / Date de Fabrication

Serial No. / N° de série



227 Industrial Park Rd South Pittsburg, TN 37380  
 Phone: (800) 750-2723 www.usstove.com

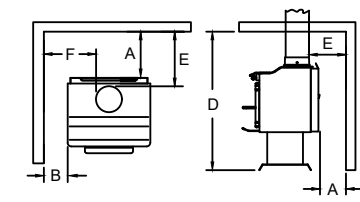
**CAUTION:** HOT WHILE IN OPERATION - DO NOT TOUCH - KEEP CHILDREN AND CLOTHING AWAY - CONTACT MAY CAUSE SKIN BURNS. SEE NAMEPLATE AND INSTRUCTION. KEEP FURNISHINGS AND OTHER COMBUSTIBLE MATERIALS A CONSIDERABLE DISTANCE AWAY FROM THE APPLIANCE.

**ATTENTION:** CHAUD PENDANT LE FONCTIONNEMENT. NE PAS TOUCHER. TENIR LES ENFANTS, LES VÊTEMENTS ET LES MEUBLES À L'ÉCART. LE CONTACT RISQUE DE CAUSER DES BRÛLURES À LA PEAU. VOIR LA PLAQUE SIGNALÉTIQUE ET LES INSTRUCTIONS. NE PAS LAISSER PAS LE POÊLE S'EMBALLER- SI LE POÊLE OU LE RACCORD DE CHEMINÉE ROUGE OIE, LE POÊLE EST EMBALLÉ.

For use with solid wood fuel only. Do not add other fuels. Do not burn garbage or flammable fluids such as gasoline, naphtha, or engine oil. Operate only with door closed.  
**PREVENT HOUSE FIRES:** Install and use only in accordance with manufacturer's installation and operating instructions. Contact local building or fire officials about restrictions and installation inspection in your area. In absence of any local codes, installation must meet minimum requirements of NFPA 211. Room heater, solid fuel type, also for use in mobile homes. The legs or pedestal, if provided, must be installed, and attached as shown in the installation instructions. This wood heater needs periodic inspection and repair for proper operation. Consult the owner's manual for further information. It is against federal regulations to operate this wood heater in a manner inconsistent with the operating instructions in the owner's manual. Not to be installed in any factory-built fireplace.  
**DANGER:** Risk of Electrical Shock. Disconnect Power Before Servicing Unit. Route power cord away from unit. Do not route power cord under or in front of appliance. Do not obstruct the space beneath the heater. Do Not Use Grate or Elevate Fire - Build Wood Fire Directly on Hearth. Operate only with firebrick in place.  
**CAUTION:** Fully open flue damper before opening the fuel feed door. Keep furnishings and other combustible materials a considerable distance away from this appliance.  
**ELECTRICAL:** 120 VAC, 60Hz, 0.55 Amps  
**PREVENT CREOSOTE FIRES:** Inspect and clean chimney frequently. Under certain conditions of use, creosote buildup may occur rapidly. DO NOT OPERATE WITH A FLUE DRAFT EXCEEDING 0.06 INCHES OF WATER COLUMN WHEN BURNING COAL.  
**SOOT - FORMATION AND NEED FOR REMOVAL:** When wood is burned, the products of combustion combine with moisture to form a soot residue which accumulates on the flue lining. When ignited, this soot makes an extremely hot fire. The chimney connector and chimney should be inspected at least once every two months during the heating season to determine if a soot buildup has occurred. If soot has accumulated, it should be removed to reduce the risk of a chimney fire.  
**CHIMNEY:** Minimum 6 inch diameter extending at least 12 feet overall measured from the top of the appliance. Refer to manufacturer's instructions and local codes for precautions required for passing chimney through a combustible wall or ceiling. Inspect and clean chimney system frequently in accordance with manufacturer's instructions. Do not run a chimney connector through a combustible wall or ceiling. Chimney must be factory built UL 103/ULC 629; or masonry, with liner. Flue connector pipe must be 6 inch diameter, minimum 24 MSG Black or 26 MSG Blue Steel. Do Not Connect This Unit to a Chimney Flue Serving Another Appliance. Do Not over fire - if the heater or chimney connector glows you are over firing.  
**WARNING:** Do not obstruct the space beneath the heater.  
**CAUTION:** Combustion air openings are not to be obstructed.  
 Provide adequate combustion air to the room where the heater is installed. Fully open the combustion air control before opening the fuel feed door.  
 Replace glass with factory supplied 5mm ceramic glass only. Do not substitute alternative materials.

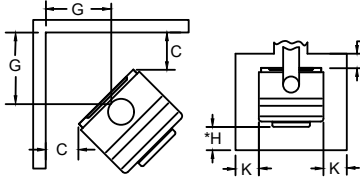
À utiliser uniquement avec du bois de chauffage solide. N'ajoutez pas d'autres carburants. Ne brûlez pas de déchets ou de liquides inflammables tels que l'essence, le naphtha ou l'huile moteur. Opérez uniquement avec la porte fermée.  
**PRÉVENTION DES INCENDIES DE MAISON:** N'installer et n'utiliser que conformément aux instructions d'installation et d'utilisation du fabricant. Prendre contact avec les responsables locaux de construction ou de lutte contre l'incendie au sujet des restrictions à l'installation et des exigences d'inspections chez vous. En l'absence de codes locaux, l'installation doit obligatoirement être conforme aux exigences minimales de la norme NFPA 211. Concou pour maisons mobiles. Pour un fonctionnement correct, consultez le manuel du propriétaire pour plus d'informations. Ce est contre les règlements fédéraux pour faire fonctionner ce poêle à bois d'une manière incompatible avec les instructions d'utilisation dans le manuel du propriétaire. Les Pieds les jambes, pedestal, et l'écran thermique inférieur fournis doivent obligatoirement être installés et fixés comme indiqué par les instructions d'installation. Ne pas installer dans un foyer préfabriqué.  
**DANGER:** Risque de choc électrique. Débrancher l'alimentation avant toute intervention sur l'appareil. Faire passer le cordon d'alimentation à l'écart de l'appareil. Ne pas faire passer le cordon d'alimentation sous l'appareil, ou devant celui-ci. Veuillez à toujours garder la zone au-dessous l'appareil dégagée.  
 Ne pas utiliser de grille ou Elevate Fire - Construire feu de bois directement sur le foyer. Les briques doivent être en position durant l'utilisation.  
**ATTENTION:** Ouvrir à fond la commande d'arrivée d'air de combustion avant d'ouvrir la porte de chargement. Garder les garnitures et tous autres matériaux combustibles à une distance convenable de cet appareil.  
**ELECTRICITE:** 120 VAC, 60Hz, 0,55 A  
**PRÉVENTION DES FEUX DE CRÉOSOTE:** Inspecter et ramoner la cheminée fréquemment. Dans certaines conditions d'utilisation, une accumulation de creosote peut survenir rapidement. NE PAS FAIRE FONCTIONNER AVEC UN TIRAGE DE FUMÉE DE PLUS DE 0,06 POUCHE DE COLONNE D'EAU LORSQUE VOUS BRÛLEZ DU CHARBON.  
**SUIE - FORMATION ET BESOIN DE RETRAIT:** Lorsque le bois est brûlé, les produits de la combustion se combinent avec l'humidité pour former un résidu de suie qui s'accumule sur le revêtement de la cheminée. Une fois enflammée, cette suie produit un feu extrêmement chaud. Le raccord de cheminée et la cheminée doivent être inspectés au moins une fois tous les deux mois pendant la saison de chauffage afin de déterminer s'il y a eu accumulation de suie. Si de la suie s'est accumulée, elle doit être retirée pour réduire le risque de feu de cheminée.  
**CHEMINÉE:** Diamètre minimum de 6 pouces s'étendant sur au moins 12 pieds hors tout mesuré à partir du haut de l'appareil. Reportez-vous aux instructions du fabricant et aux codes locaux pour les précautions requises pour faire passer la cheminée à travers un mur ou un plafond combustible. Inspectez et nettoyez fréquemment le système de cheminée conformément aux instructions du fabricant. Ne faites pas passer un connecteur de cheminée à travers un mur ou un plafond combustible. La cheminée doit être fabriquée en usine UL 103/ULC 629 ; ou maçonnerie, avec liner. Le tuyau de raccordement du conduit de fumée doit avoir un diamètre de 6 pouces et un minimum d'acier noir 24 MSG ou bleu 26 MSG. Ne connectez pas cet appareil à un conduit de cheminée desservant un autre appareil. Ne pas surchauffer - si le radiateur ou le raccord de cheminée s'allume, vous surchauffez.  
**AVERTISSEMENT:** N'obstruez pas l'espace sous le radiateur.  
**ATTENTION:** Les ouvertures d'air de combustion ne doivent pas être obstruées.  
 Fournir un air de combustion adéquat dans la pièce où le radiateur est installé. Ouvrez complètement le contrôle d'air de combustion avant d'ouvrir la porte d'alimentation en combustible.  
 Remplacez le verre uniquement par du verre céramique de 5 mm fourni par l'usine. Ne substituez pas d'autres matériaux.

CLEARANCE TO COMBUSTIBLE SURFACES / DÉGAGEMENTS PAR RAPPORT AUX SURFACES COMBUSTIBLES



Clearance to Combustible Surfaces / Déagements par rapport aux surfaces combustibles			
Key	Stove To / par rapport au poêle	in	mm
A	Back Wall / paroi arrière	17	432
B	Side Wall / paroi latérale	21	534
C	Corners / coins	14	356
D	Ceiling height / hauteur	84	2134
E	Back Wall / paroi arrière	20	508
F	Side Wall / paroi latérale	29	737
G	Corners / coins	22	559
Floor Protection / Protection de plancher			
Edge to Stove / Bord à la cuisinière			
*H	Front / l'avant	16	407
J	Back / arrière	2	51
K	Side / côté	8	204
* Canadian Installations Require / * Canadian Installations Nécessitent: 18" (18 po)			

CORNER INSTALLATION



DO NOT REMOVE OR COVER THIS LABEL / NE PAS RETIRER CETTE ÉTIQUETTE

**FLOOR PROTECTOR DIMENSIONS**  
 This heater must have a non-combustible floor protector (ember protection) installed beneath it if the floor is of combustible material. If a floor pad is used, it should be ul listed or equal. The floor pad or non-combustible surface should be 1/2" thick and large enough to extend a under and to each side of the heater as shown. To be installed as a freestanding space heater with the clearances in the manufacturer's installation instructions. Not to be installed in any fireplace.  
**DIMENSIONS DU PROTECTEUR DE PLANCHER**  
 Cet appareil de chauffage doit être muni d'un protecteur de plancher incombustible (protection contre les braises) installé en dessous si le plancher est en matériaux combustibles. Si un tapis de sol est utilisé, il doit être listé ou égal. Le tapis de sol ou la surface non combustible doit avoir une épaisseur de 1/2 po et être assez grand pour prolonger un dessous et de chaque côté du radiateur, comme illustré. À installer en tant qu'appareil de chauffage autonome avec les dégagements indiqués dans les instructions d'installation du fabricant. Ne pas installer dans une cheminée.

853363J

0.1 TEXT HEIGHT

11.00

© 2010 United States Stove Company ALL RIGHTS RESERVED THE DATA CONTAINED HEREIN IS PROPRIETARY TO U. S. STOVE COMPANY. THIS DATA SHALL NOT BE DUPLICATED, TRANSFERRED, MADE AVAILABLE, OR USED BY ANY THIRD PARTY FOR ANY PURPOSE EXCEPT SPECIFICALLY AUTHORIZED IN WRITING BY U. S. STOVE COMPANY.		TOLERANCES EXCEPT AS NOTED	HOLES ±.005" DECIMAL XX = 0.03 XXX = 0.010 ANGULAR ±2°	DESCRIPTION NOTED FINISH NOTED REFERENCE US1100E	SCALE 1:1 DWN BY SEH DATE 1/11/19	SIZE B TITLE CERTIFICATION LABEL	REV J	UNITED STATES STOVE COMPANY ESTABLISHED 1869	NUMBER 853363	SHEET 1 OF 1
--	--	-------------------------------	---	---	--	---	----------	---	------------------	-----------------

4

3

2

1

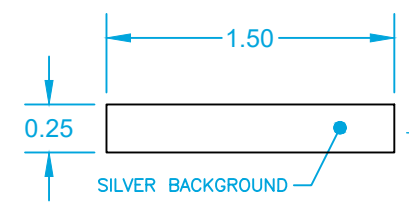
REVISION HISTORY			
REV	DESCRIPTION	DATE	BY
A	INITIAL RELEASE	1/30/24	SEH

**NOTES:**

**MATERIAL:** 0.012 THK. ALUMINUM / 3M 9472 ADEHESIVE BACKED.

**FINISH:** BLACK BACKGROUND, ALUMINUM TO SHOW THRU (ALL TEXT AND ILLUSTRATIONS)

**TEXT:** ALL TEXT TO BE 0.06 HEIGHT MINIMUM



0.1 TEXT HEIGHT      0.1 TEXT HEIGHT      0.125 TEXT HEIGHT

Report (Rapport) #: F19-473

**Model / Modèle: CGWS1500**  
 Certified to / Certifié à: UL 1482-2022, CAN/ULC-S627:2023

-P   -L  
-BP   -BL

**U.S. ENVIRONMENTAL PROTECTION AGENCY**  
 Certified to comply with 2020 particulate emission standards using cordwood. Tested Per EPA Methods ASTM E2515, ASTM E3053-ATM and CSA B415.1-10 - 2.4 g/hr. 66% Efficiency.

**AGENCE AMÉRICAINE DE PROTECTION DE L'ENVIRONNEMENT**  
 Certifié conforme aux normes d'émission de particules 2020 en utilisant du bois de chauffage. Testé selon les méthodes EPA ASTM E2515, ASTM E3053-ATM et CSA B415.1-10 - 2.4 g/h. 66 % d'efficacité.

Manufacture Date. /  
Date de Fabrication

Serial No. /  
N° de série

**CAUTION: HOT WHILE IN OPERATION - DO NOT TOUCH - KEEP CHILDREN AND CLOTHING AWAY - CONTACT MAY CAUSE SKIN BURNS. SEE NAMEPLATE AND INSTRUCTION. KEEP FURNISHINGS AND OTHER COMBUSTIBLE MATERIALS A CONSIDERABLE DISTANCE AWAY FROM THE APPLIANCE.**

**ATTENTION: CHAUD PENDANT LE FONCTIONNEMENT. NE PAS TOUCHER. TENIR LES ENFANTS, LES VÊTEMENTS ET LES MEUBLES À L'ÉCART. LE CONTACT RISQUE DE CAUSER DES BRÛLURES À LA PEAU. VOIR LA PLAQUE SIGNALÉTIQUE ET LES INSTRUCTIONS. NE PAS LAISSER PAS LE POÊLE S'EMBALLER- SI LE POÊLE OU LE RACCORD DE CHEMINÉE ROUGE OIE, LE POÊLE EST EMBALLÉ.**

**For use with solid wood fuel only.** Do not add other fuels. Do not burn garbage or flammable fluids such as gasoline, naphtha, or engine oil. Operate only with door closed.  
**PREVENT HOUSE FIRES:** Install and use only in accordance with manufacturer's installation and operating instructions. Contact local building or fire officials about restrictions and installation inspection in your area. In absence of any local codes, installation must meet minimum requirements of NFPA 211. Room heater, solid fuel type, also for use in mobile homes. The legs or pedestal, if provided, must be installed, and attached as shown in the installation instructions. This wood heater needs periodic inspection and repair for proper operation. Consult the owner's manual for further information. It is against federal regulations to operate this wood heater in a manner inconsistent with the operating instructions in the owner's manual. Not to be installed in any factory-built fireplace.  
**DANGER:** Risk of Electrical Shock. Disconnect Power Before Servicing Unit. Route power cord away from unit. Do not route power cord under or in front of appliance. Do not obstruct the space beneath the heater. Do Not Use Grate or Elevate Fire - Build Wood Fire Directly on Hearth. Operate only with firebrick in place.  
**CAUTION:** Fully open flue damper before opening the fuel feed door. Keep furnishings and other combustible materials a considerable distance away from this appliance.  
**ELECTRICAL:** 120 VAC, 60Hz, 0.55 Amps  
**PREVENT CREOSOTE FIRES:** Inspect and clean chimney frequently. Under certain conditions of use, creosote buildup may occur rapidly. DO NOT OPERATE WITH A FLUE DRAFT EXCEEDING 0.06 INCHES OF WATER COLUMN WHEN BURNING COAL.  
**SOOT - FORMATION AND NEED FOR REMOVAL -** When wood is burned, the products of combustion combine with moisture to form a soot residue which accumulates on the flue lining. When ignited, this soot makes an extremely hot fire. The chimney connector and chimney should be inspected at least once every two months during the heating season to determine if a soot buildup has occurred. If soot has accumulated, it should be removed to reduce the risk of a chimney fire.  
**CHIMNEY:** Minimum 6 inch diameter extending at least 12 feet overall measured from the top of the appliance. Refer to manufacturer's instructions and local codes for precautions required for passing chimney through a combustible wall or ceiling. Inspect and clean chimney system frequently in accordance with manufacturer's instructions. Do not run a chimney connector through a combustible wall or ceiling. Chimney must be factory built UL 103/ULC 629; or masonry, with liner. Flue connector pipe must be 6 inch diameter, minimum 24 MSG Black or 26 MSG Blue Steel. Do Not Connect This Unit to a Chimney Flue Serving Another Appliance. Do Not over fire - if the heater or chimney connector glows you are over firing.  
**WARNING:** Do not obstruct the space beneath the heater.  
**CAUTION:** Combustion air openings are not to be obstructed.  
 Provide adequate combustion air to the room where the heater is installed. Fully open the combustion air control before opening the fuel feed door.  
 Replace glass with factory supplied 5mm ceramic glass only. Do not substitute alternative materials.

**À utiliser uniquement avec du bois de chauffage solide.** N'ajoutez pas d'autres carburants. Ne brûlez pas de déchets ou de liquides inflammables tels que l'essence, le naphtha ou l'huile moteur. Opérez uniquement avec la porte fermée.  
**PRÉVENTION DES INCENDIES DE MAISON:** N'installer et n'utiliser que conformément aux instructions d'installation et d'utilisation du fabricant. Prendre contact avec les responsables locaux de construction ou de lutte contre l'incendie au sujet des restrictions à l'installation et des exigences d'inspections chez vous. En l'absence de codes locaux, l'installation doit obligatoirement être conforme aux exigences minimales de la norme NFPA 211. Conçu pour maisons mobiles. Pour un fonctionnement correct, consultez le manuel du propriétaire pour plus d'informations. Ce est contre les règlements fédéraux pour faire fonctionner ce poêle à bois d'une manière incompatible avec les instructions d'utilisation dans le manuel du propriétaire. Les Pieds les jambes, pedestal, et l'écran thermique inférieur fournis doivent obligatoirement être installés si fixés comme indiqué par les instructions d'installation. Ne pas installer dans un foyer préfabriqué.  
**DANGER:** Risque de choc électrique. Débrancher l'alimentation avant toute intervention sur l'appareil. Faire passer le cordon d'alimentation à l'écart de l'appareil. Ne pas faire passer le cordon d'alimentation sous l'appareil, ou devant celui-ci. Veuillez à toujours garder la zone au-dessous l'appareil dégagée.  
 Ne pas utiliser de grille ou Elevate Fire - Construire feu de bois directement sur le foyer. Les briques doivent être en position durant utilisation.  
**ATTENTION:** Ouvrir à fond la commande d'arrivée d'air de combustion avant d'ouvrir la porte de chargement. Garder les garnitures et tous autres matériaux combustibles à une distance convenable de cet appareil.  
**ELECTRICITE:** 120 VAC, 60Hz, 0.55 A  
**PRÉVENTION DES FEUX DE CRÉOSOTE:** Inspecter et ramoner la cheminée fréquemment. Dans certaines conditions d'utilisation, une accumulation de creosote peut survenir rapidement. NE PAS FAIRE FONCTIONNER AVEC UN TIRAGE DE FUMÉE DE PLUS DE 0,06 POUCE DE COLONNE D'EAU LORSQUE VOUS BRÛLEZ DU CHARBON.  
**SUIE - FORMATION ET BESOIN DE RETRAIT -** Lorsque le bois est brûlé, les produits de la combustion se combinent avec l'humidité pour former un résidu de suie qui s'accumule sur le revêtement de la cheminée. Une fois enflammée, cette suie produit un feu extrêmement chaud. Le raccord de cheminée et la cheminée doivent être inspectés au moins une fois tous les deux mois pendant la saison de chauffage afin de déterminer si il ya eu accumulation de suie. Si de la suie s'est accumulée, elle doit être retirée pour réduire le risque de feu de cheminée.  
**CHEMINÉE:** Diamètre minimum de 6 pouces s'étendant sur au moins 12 pieds hors tout mesuré à partir du haut de l'appareil. Reportez-vous aux instructions du fabricant et aux codes locaux pour les précautions requises pour faire passer la cheminée à travers un mur ou un plafond combustible. Inspectez et nettoyez fréquemment le système de cheminée conformément aux instructions du fabricant. Ne faites pas passer un connecteur de cheminée à travers un mur ou un plafond combustible. La cheminée doit être fabriquée en usine UL 103/ULC 629 ; ou maçonnerie, avec liner. Le tuyau de raccordement du conduit de fumée doit avoir un diamètre de 6 pouces et un minimum d'acier noir 24 MSG ou bleu 26 MSG. Ne connectez pas cet appareil à un conduit de cheminée desservant un autre appareil. Ne pas surchauffer - si le radiateur ou le raccord de cheminée s'allume, vous surchauffez.  
**AVERTISSEMENT :** N'obstruez pas l'espace sous le radiateur.  
**ATTENTION :** Les ouvertures d'air de combustion ne doivent pas être obstruées.  
 Fournir un air de combustion adéquat dans la pièce où le radiateur est installé. Ouvrez complètement le contrôle d'air de combustion avant d'ouvrir la porte d'alimentation en combustible.  
 Remplacez le verre uniquement par du verre céramique de 5 mm fourni par l'usine. Ne substituez pas d'autres matériaux.

**CLEARANCE TO COMBUSTIBLE SURFACES / DÉGAGEMENTS PAR RAPPORT AUX SURFACES COMBUSTIBLES**

Key	Stove To / par rapport au poêle	in	mm
A	Back Wall / paroi arrière	17	432
B	Side Wall / paroi latérale	21	534
C	Corners / coins	14	356
D	Ceiling height / hauteur	84	2134
E	Back Wall / paroi arrière	20	508
F	Side Wall / paroi latérale	29	737
G	Corners / coins	22	559

**Floor Protection / Protection de plancher**

	Edge to Stove / Bord à la cuisinière		
*H	Front / l'avant	16	407
J	Back / arrière	2	51
K	Side / côté	8	204

\* Canadian Installations Require / \* Canadian Installations Nécessitent: 18" (18 po)

**FLOOR PROTECTOR DIMENSIONS**  
 This heater must have a non-combustible floor protector (ember protection) installed beneath it if the floor is of combustible material. If a floor pad is used, it should be of listed or equal. The floor pad or non-combustible surface should be 1/2" thick and large enough to extend under and to each side of the heater as shown. To be installed as a freestanding space heater with the clearances in the manufacturer's installation instructions. Not to be installed in any fireplace.  
**DIMENSIONS DU PROTECTEUR DE PLANCHER**  
 Cet appareil de chauffage doit être muni d'un protecteur de plancher incombustible (protection contre les braises) installé en dessous si le plancher est en matériaux combustibles. Si un tapis de sol est utilisé, il doit être listé ou égal. Le tapis de sol ou la surface non combustible doit avoir une épaisseur de 1/2 po et être assez grand pour prolonger un dessous et de chaque côté du radiateur, comme illustré. À installer en tant qu'appareil de chauffage autonome avec les dégagements indiqués dans les instructions d'installation du fabricant. Ne pas installer dans une cheminée.

**DO NOT REMOVE OR COVER THIS LABEL / NE PAS RETIRER CETTE ÉTIQUETTE**

227 Industrial Park Rd South Pittsburg, TN 37380  
 Phone: (800) 750-2723 www.usstove.com

1" X 1" SYMBOL AND BORDER TO BE RED

0.1 TEXT HEIGHT      11.00

© 2010 United States Stove Company		TOLERANCES	Holes ± .005"	DESCRIPTION	SCALE	REV	UNITED STATES STOVE COMPANY	
ALL RIGHTS RESERVED. THE DATA CONTAINED HEREIN IS PROPRIETARY TO U. S. STOVE COMPANY. THIS DATA SHALL NOT BE DUPLICATED, TRANSFERRED, MADE AVAILABLE, OR USED BY ANY THIRD PARTY FOR ANY PURPOSE EXCEPT SPECIFICALLY AUTHORIZED IN WRITING BY U. S. STOVE COMPANY.		EXCEPT AS NOTED	DECIMAL .XX = 0.03 XXX = 0.010	NOTED	1:1	B	A	ESTABLISHED 1869
			ANGULAR ±2°	NOTED	DOWN BY SEH	TITLE		NUMBER
				CGWS1500	DATE	CERTIFICATION LABEL		853363CG
					1/30/24			SHEET
								1 OF 1



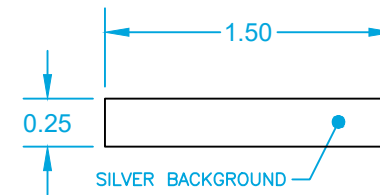
REVISION HISTORY			
REV	DESCRIPTION	DATE	BY
A	INITIAL RELEASE	1/30/24	SEH

NOTES:

MATERIAL: 0.012 THK. ALUMINUM / 3M 9472 ADEHESIVE BACKED.

FINISH: BLACK BACKGROUND, ALUMINUM TO SHOW THRU (ALL TEXT AND ILLUSTRATIONS)

TEXT: ALL TEXT TO BE 0.06 HEIGHT MINIMUM



0.1 TEXT HEIGHT

0.1 TEXT HEIGHT

0.125 TEXT HEIGHT

Model / Modèle: DHWS1500  
Certified to / Certifié à: UL 1482-2022, CAN/ULC-S627:2023

-P -L  
-BP -BL

**U.S. ENVIRONMENTAL PROTECTION AGENCY**  
Certified to comply with 2020 particulate emission standards using cordwood. Tested Per EPA Methods ASTM E2515, ASTM E3053-ATM and CSA B415.1-10 - 2.4 g/hr. 66% Efficiency.

**AGENCE AMÉRICAINE DE PROTECTION DE L'ENVIRONNEMENT**  
Certifié conforme aux normes d'émission de particules 2020 en utilisant du bois de chauffage. Testé selon les méthodes EPA ASTM E2515, ASTM E3053-ATM et CSA B415.1-10 - 2.4 g/h. 66 % d'efficacité.

Manufacture Date. /  
Date de Fabrication

Serial No. /  
N° de série

**CAUTION: HOT WHILE IN OPERATION - DO NOT TOUCH - KEEP CHILDREN AND CLOTHING AWAY - CONTACT MAY CAUSE SKIN BURNS. SEE NAMEPLATE AND INSTRUCTION. KEEP FURNISHINGS AND OTHER COMBUSTIBLE MATERIALS A CONSIDERABLE DISTANCE AWAY FROM THE APPLIANCE.**

**ATTENTION: CHAUD PENDANT LE FONCTIONNEMENT. NE PAS TOUCHER. TENIR LES ENFANTS, LES VÊTEMENTS ET LES MEUBLES À L'ÉCART. LE CONTACT RISQUE DE CAUSER DES BRÛLURES À LA PEAU. VOIR LA PLAQUE SIGNALÉTIQUE ET LES INSTRUCTIONS. NE PAS LAISSER PAS LE POÊLE S'EMBALLER- SI LE POÊLE OU LE RACCORD DE CHEMINÉE ROUGE OIE, LE POÊLE EST EMBALLÉ.**

**For use with solid wood fuel only.** Do not add other fuels. Do not burn garbage or flammable fluids such as gasoline, naphtha, or engine oil. Operate only with door closed.

**PREVENT HOUSE FIRES:** Install and use only in accordance with manufacturer's installation and operating instructions. Contact local building or fire officials about restrictions and installation inspection in your area. In absence of any local codes, installation must meet minimum requirements of NFPA 211. Room heater, solid fuel type, also for use in mobile homes. The legs or pedestal, if provided, must be installed, and attached as shown in the installation instructions. This wood heater needs periodic inspection and repair for proper operation. Consult the owner's manual for further information. It is against federal regulations to operate this wood heater in a manner inconsistent with the operating instructions in the owner's manual. Not to be installed in any factory-built fireplace.

**DANGER:** Risk of Electrical Shock. Disconnect Power Before Servicing Unit. Route power cord away from unit. Do not route power cord under or in front of appliance. Do not obstruct the space beneath the heater. Do Not Use Grate or Elevate Fire - Build Wood Fire Directly on Hearth. Operate only with firebrick in place.

**CAUTION:** Fully open flue damper before opening the fuel feed door. Keep furnishings and other combustible materials a considerable distance away from this appliance.

**ELECTRICAL:** 120 VAC, 60Hz, 0.55 Amps

**PREVENT CREOSOTE FIRES:** Inspect and clean chimney frequently. Under certain conditions of use, creosote buildup may occur rapidly. DO NOT OPERATE WITH A FLUE DRAFT EXCEEDING 0.06 INCHES OF WATER COLUMN WHEN BURNING COAL.

**SOOT - FORMATION AND NEED FOR REMOVAL -** When wood is burned, the products of combustion combine with moisture to form a soot residue which accumulates on the flue lining. When ignited, this soot makes an extremely hot fire. The chimney connector and chimney should be inspected at least once every two months during the heating season to determine if a soot buildup has occurred. If soot has accumulated, it should be removed to reduce the risk of a chimney fire.

**CHIMNEY:** Minimum 6 inch diameter extending at least 12 feet overall measured from the top of the appliance. Refer to manufacturer's instructions and local codes for precautions required for passing chimney through a combustible wall or ceiling. Inspect and clean chimney system frequently in accordance with manufacturer's instructions. Do not run a chimney connector through a combustible wall or ceiling. Chimney must be factory built UL 103/ULC 629; or masonry, with liner. Flue connector pipe must be 6 inch diameter, minimum 24 MSG Black or 26 MSG Blue Steel. Do Not Connect This Unit to a Chimney Flue Serving Another Appliance. Do Not over fire - if the heater or chimney connector glows you are over firing.

**WARNING:** Do not obstruct the space beneath the heater.

**CAUTION:** Combustion air openings are not to be obstructed.

Provide adequate combustion air to the room where the heater is installed. Fully open the combustion air control before opening the fuel feed door.

Replace glass with factory supplied 5mm ceramic glass only. Do not substitute alternative materials.

**À utiliser uniquement avec du bois de chauffage solide.** N'ajoutez pas d'autres carburants. Ne brûlez pas de déchets ou de liquides inflammables tels que l'essence, le naphtha ou l'huile moteur. Opérer uniquement avec la porte fermée.

**PRÉVENTION DES INCENDIES DE MAISON:** N'installer et n'utiliser que conformément aux instructions d'installation et d'utilisation du fabricant. Prendre contact avec les responsables locaux de construction ou de lutte contre l'incendie au sujet des restrictions à l'installation et des exigences d'inspections chez vous. En l'absence de codes locaux, l'installation doit obligatoirement être conforme aux exigences minimales de la norme NFPA 211. Conçu pour maisons mobiles. Pour un fonctionnement correct, consultez le manuel du propriétaire pour plus d'informations. Ce est contre les règlements fédéraux pour faire fonctionner ce poêle à bois d'une manière incompatible avec les instructions d'utilisation dans le manuel du propriétaire. Les Pieds les jambes, pedestal, et l'écran thermique inférieur fournis doivent obligatoirement être installés et fixés comme indiqué par les instructions d'installation. Ne pas installer dans un foyer préfabriqué.

**DANGER:** Risque de choc électrique. Débrancher l'alimentation avant toute intervention sur l'appareil. Faire passer le cordon d'alimentation à l'écart de l'appareil. Ne pas faire passer le cordon d'alimentation sous l'appareil, ou devant celui-ci. Veuillez à toujours garder la zone au-dessous l'appareil dégagée.

Ne pas utiliser de grille ou Elevate Fire - Construire feu de bois directement sur le foyer. Les briques doivent être en position durant l'utilisation.

**ATTENTION:** Ouvrir à fond la commande d'arrivée d'air de combustion avant d'ouvrir la porte de chargement. Garder les garnitures et tous autres matériaux combustibles à une distance convenable de cet appareil.

**ÉLECTRICITE:** 120 VAC, 60Hz, 0,55 A

**PRÉVENTION DES FEUX DE CRÉOSOTE:** Inspecter et ramoner la cheminée fréquemment. Dans certaines conditions d'utilisation, une accumulation de créosote peut survenir rapidement. NE PAS FAIRE FONCTIONNER AVEC UN TIRAGE DE FUMÉE DE PLUS DE 0,06 POUCE DE COLONNE D'EAU LORSQUE VOUS BRÛLEZ DU CHARBON.

**SUIE - FORMATION ET BESOIN DE RETRAIT -** Lorsque le bois est brûlé, les produits de la combustion se combinent avec l'humidité pour former un résidu de suie qui s'accumule sur le revêtement de la cheminée. Une fois enflammée, cette suie produit un feu extrêmement chaud. Le raccord de cheminée et la cheminée doivent être inspectés au moins une fois tous les deux mois pendant la saison de chauffage afin de déterminer s'il ya eu accumulation de suie. Si de la suie s'est accumulée, elle doit être retirée pour réduire le risque de feu de cheminée.

**CHEMINÉE:** Diamètre minimum de 6 pouces s'étendant sur au moins 12 pieds hors tout mesuré à partir du haut de l'appareil. Reportez-vous aux instructions du fabricant et aux codes locaux pour les précautions requises pour faire passer la cheminée à travers un mur ou un plafond combustible. Inspectez et nettoyez fréquemment le système de cheminée conformément aux instructions du fabricant. Ne faites pas passer un connecteur de cheminée à travers un mur ou un plafond combustible. La cheminée doit être fabriquée en usine UL 103/ULC 629 ; ou maçonnerie, avec liner. Le tuyau de raccordement du conduit de fumée doit avoir un diamètre de 6 pouces et un minimum d'acier noir 24 MSG ou bleu 26 MSG. Ne connectez pas cet appareil à un conduit de cheminée desservant un autre appareil. Ne pas surchauffer - si le radiateur ou le raccord de cheminée s'allume, vous surchauffez.

**AVERTISSEMENT :** N'obstruez pas l'espace sous le radiateur.

**ATTENTION :** Les ouvertures d'air de combustion ne doivent pas être obstruées.

Fournir un air de combustion adéquat dans la pièce où le radiateur est installé. Ouvrez complètement le contrôle d'air de combustion avant d'ouvrir la porte d'alimentation en combustible.

Remplacez le verre uniquement par du verre céramique de 5 mm fourni par l'usine. Ne substituez pas d'autres matériaux.

**CLEARANCE TO COMBUSTIBLE SURFACES / DÉGAGEMENTS PAR RAPPORT AUX SURFACES COMBUSTIBLES**

Key	Stove To / par rapport au poêle	in	mm
A	Back Wall / paroi arrière	17	432
B	Side Wall / paroi latérale	21	534
C	Corners / coins	14	356
D	Ceiling height / hauteur	84	2134
E	Back Wall / paroi arrière	20	508
F	Side Wall / paroi latérale	29	737
G	Corners / coins	22	559

**Floor Protection / Protection de plancher**

Edge to Stove / Bord à la cuisinière	in	mm
*H	Front / l'avant	16 407
J	Back / arrière	2 51
K	Side / côté	8 204

\* Canadian Installations Require / \* Canadian Installations Nécessitent: 18" (18 po)

**DO NOT REMOVE OR COVER THIS LABEL / NE PAS RETIRER CETTE ÉTIQUETTE**

227 Industrial Park Rd South Pittsburg, TN 37380  
Phone: (800) 750-2723 www.usstove.com

1" X 1" SYMBOL AND BORDER TO BE RED

6.00

0.1 TEXT HEIGHT

11.00

© 2010 United States Stove Company		TOLERANCES	Holes ± .005"	DESCRIPTION	SCALE	REV	<b>UNITED STATES STOVE COMPANY</b>	
ALL RIGHTS RESERVED. THE DATA CONTAINED HEREIN IS PROPRIETARY TO U. S. STOVE COMPANY. THIS DATA SHALL NOT BE DUPLICATED, TRANSFERRED, MADE AVAILABLE, OR USED BY ANY THIRD PARTY FOR ANY PURPOSE EXCEPT SPECIFICALLY AUTHORIZED IN WRITING BY U. S. STOVE COMPANY.		EXCEPT AS NOTED	DECIMAL .XX = 0.03 XXX = 0.010	FINISH	1:1	B	A	ESTABLISHED 1869
			ANGULAR ±2°	REFERENCE	DOWN BY SEH	TITLE		NUMBER
				DHWS1500	DATE	CERTIFICATION LABEL		SHEET
					1/30/24	853363DH		1 OF 1



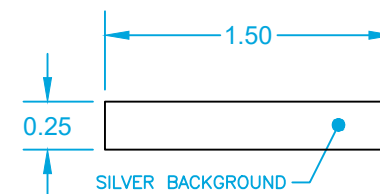
REVISION HISTORY			
REV	DESCRIPTION	DATE	BY
A	INITIAL RELEASE	1/30/24	SEH

NOTES:

MATERIAL: 0.012 THK. ALUMINUM / 3M 9472 ADEHESIVE BACKED.

FINISH: BLACK BACKGROUND, ALUMINUM TO SHOW THRU (ALL TEXT AND ILLUSTRATIONS)

TEXT: ALL TEXT TO BE 0.06 HEIGHT MINIMUM



0.1 TEXT HEIGHT

0.1 TEXT HEIGHT

0.125 TEXT HEIGHT

Modél / Modéle: KW12  
Certified to / Certifié à: UL 1482-2022, CAN/ULC-S627:2023

-P -L  
-BP -BL

**U.S. ENVIRONMENTAL PROTECTION AGENCY**  
Certified to comply with 2020 particulate emission standards using cordwood. Tested Per EPA Methods ASTM E2515, ASTM E3053-ATM and CSA B415.1-10 - 2.4 g/hr. 66% Efficiency.

**AGENCE AMÉRICAINE DE PROTECTION DE L'ENVIRONNEMENT**  
Certifié conforme aux normes d'émission de particules 2020 en utilisant du bois de chauffage. Testé selon les méthodes EPA ASTM E2515, ASTM E3053-ATM et CSA B415.1-10 - 2.4 g/hr. 66 % d'efficacité.

Manufacture Date. /  
Date de Fabrication

Serial No. /  
N° de série

**CAUTION: HOT WHILE IN OPERATION - DO NOT TOUCH - KEEP CHILDREN AND CLOTHING AWAY - FURNISHINGS AND OTHER COMBUSTIBLE MATERIALS A CONSIDERABLE DISTANCE AWAY FROM THE APPLIANCE.**

**ATTENTION: CHAUD PENDANT LE FONCTIONNEMENT. NE PAS TOUCHER. TENIR LES ENFANTS, LES VÊTEMENTS ET LES MEUBLES À L'ÉCART. LE CONTACT RISQUE DE CAUSER DES BRÛLURES À LA PEAU. VOIR LA PLAQUE SIGNALÉTIQUE ET LES INSTRUCTIONS. NE PAS LAISSER PAS LE POÊLE S'EMBALLER- SI LE POÊLE OU LE RACCORD DE CHEMINÉE ROUGE OIE, LE POÊLE EST EMBALLÉ.**

**For use with solid wood fuel only.** Do not add other fuels. Do not burn garbage or flammable fluids such as gasoline, naphtha, or engine oil. Operate only with door closed.  
**PREVENT HOUSE FIRES:** Install and use only in accordance with manufacturer's installation and operating instructions. Contact local building or fire officials about restrictions and installation inspection in your area. In absence of any local codes, installation must meet minimum requirements of NFPA 211. Room heater, solid fuel type, also for use in mobile homes. The legs or pedestal, if provided, must be installed, and attached as shown in the installation instructions. This wood heater needs periodic inspection and repair for proper operation. Consult the owner's manual for further information. It is against federal regulations to operate this wood heater in a manner inconsistent with the operating instructions in the owner's manual. Not to be installed in any factory-built fireplace.  
**DANGER:** Risk of Electrical Shock. Disconnect Power Before Servicing Unit. Route power cord away from unit. Do not route power cord under or in front of appliance. Do not obstruct the space beneath the heater. Do Not Use Grate or Elevate Fire - Build Wood Fire Directly on Hearth. Operate only with firebrick in place.  
**CAUTION:** Fully open flue damper before opening the fuel feed door. Keep furnishings and other combustible materials a considerable distance away from this appliance.  
**ELECTRICAL:** 120 VAC, 60Hz, 0.55 Amps  
**PREVENT CREOSOTE FIRES:** Inspect and clean chimney frequently. Under certain conditions of use, creosote buildup may occur rapidly. DO NOT OPERATE WITH A FLUE DRAFT EXCEEDING 0.06 INCHES OF WATER COLUMN WHEN BURNING COAL.  
**SOOT - FORMATION AND NEED FOR REMOVAL -** When wood is burned, the products of combustion combine with moisture to form a soot residue which accumulates on the flue lining. When ignited, this soot makes an extremely hot fire. The chimney connector and chimney should be inspected at least once every two months during the heating season to determine if a soot buildup has occurred. If soot has accumulated, it should be removed to reduce the risk of a chimney fire.  
**CHIMNEY:** Minimum 6 inch diameter extending at least 12 feet overall measured from the top of the appliance. Refer to manufacturer's instructions and local codes for precautions required for passing chimney through a combustible wall or ceiling. Inspect and clean chimney system frequently in accordance with manufacturer's instructions. Do not run a chimney connector through a combustible wall or ceiling. Chimney must be factory built UL 103/ULC 629; or masonry, with liner. Flue connector pipe must be 6 inch diameter, minimum 24 MSG Black or 26 MSG Blue Steel. Do Not Connect This Unit to a Chimney Flue Serving Another Appliance. Do Not over fire - if the heater or chimney connector glows you are over firing.  
**WARNING:** Do not obstruct the space beneath the heater.  
**CAUTION:** Combustion air openings are not to be obstructed.  
 Provide adequate combustion air to the room where the heater is installed. Fully open the combustion air control before opening the fuel feed door.  
 Replace glass with factory supplied 5mm ceramic glass only. Do not substitute alternative materials.

**À utiliser uniquement avec du bois de chauffage solide.** N'ajoutez pas d'autres carburants. Ne brûlez pas de déchets ou de liquides inflammables tels que l'essence, le naphtha ou l'huile moteur. Opérer uniquement avec la porte fermée.  
**PRÉVENTION DES INCENDIES DE MAISON:** N'installer et n'utiliser que conformément aux instructions d'installation et d'utilisation du fabricant. Prendre contact avec les responsables locaux de construction ou de lutte contre l'incendie au sujet des restrictions à l'installation et des exigences d'inspections chez vous. En l'absence de codes locaux, l'installation doit obligatoirement être conforme aux exigences minimales de la norme NFPA 211. Conçu pour maisons mobiles. Pour un fonctionnement correct, consultez le manuel du propriétaire pour plus d'informations. Ce est contre les règlements fédéraux pour faire fonctionner ce poêle à bois d'une manière incompatible avec les instructions d'utilisation dans le manuel du propriétaire. Les Pieds les jambes, pedestal, et l'écran thermique inférieur fournis doivent obligatoirement être installés et fixés comme indiqué par les instructions d'installation. Ne pas installer dans un foyer préfabriqué.  
**DANGER:** Risque de choc électrique. Débrancher l'alimentation avant toute intervention sur l'appareil. Faire passer le cordon d'alimentation à l'écart de l'appareil. Ne pas faire passer le cordon d'alimentation sous l'appareil, ou devant celui-ci. Veuillez à toujours garder la zone au-dessous l'appareil dégagée.  
 Ne pas utiliser de grille ou Elevate Fire - Construire feu de bois directement sur le foyer. Les briques doivent être en position durant l'utilisation.  
**ATTENTION:** Ouvrir à fond la commande d'arrivée d'air de combustion avant d'ouvrir la porte de chargement. Garder les garnitures et tous autres matériaux combustibles à une distance convenable de cet appareil.  
**ÉLECTRICITÉ:** 120 VAC, 60Hz, 0,55 A  
**PRÉVENTION DES FEUX DE CRÉOSOTE:** Inspecter et ramoner la cheminée fréquemment. Dans certaines conditions d'utilisation, une accumulation de creosote peut survenir rapidement. NE PAS FAIRE FONCTIONNER AVEC UN TIRAGE DE FUMÉE DE PLUS DE 0,06 POUCE DE COLONNE D'EAU LORSQUE VOUS BRÛLEZ DU CHARBON.  
**SUIE - FORMATION ET BESOIN DE RETRAIT -** Lorsque le bois est brûlé, les produits de la combustion se combinent avec l'humidité pour former un résidu de suie qui s'accumule sur le revêtement de la cheminée. Une fois enflammée, cette suie produit un feu extrêmement chaud. Le raccord de cheminée et la cheminée doivent être inspectés au moins une fois tous les deux mois pendant la saison de chauffage afin de déterminer s'il ya eu accumulation de suie. Si de la suie s'est accumulée, elle doit être retirée pour réduire le risque de feu de cheminée.  
**CHEMINÉE:** Diamètre minimum de 6 pouces s'étendant sur au moins 12 pieds hors tout mesuré à partir du haut de l'appareil. Reportez-vous aux instructions du fabricant et aux codes locaux pour les précautions requises pour faire passer la cheminée à travers un mur ou un plafond combustible. Inspectez et nettoyez fréquemment le système de cheminée conformément aux instructions du fabricant. Ne faites pas passer un connecteur de cheminée à travers un mur ou un plafond combustible. La cheminée doit être fabriquée en usine UL 103/ULC 629 ; ou maçonnerie, avec liner. Le tuyau de raccordement du conduit de fumée doit avoir un diamètre de 6 pouces et un minimum d'acier noir 24 MSG ou bleu 26 MSG. Ne connectez pas cet appareil à un conduit de cheminée desservant un autre appareil. Ne pas surchauffer - si le radiateur ou le raccord de cheminée s'allume, vous surchauffez.  
**AVERTISSEMENT :** N'obstruez pas l'espace sous le radiateur.  
**ATTENTION :** Les ouvertures d'air de combustion ne doivent pas être obstruées.  
 Fournir un air de combustion adéquat dans la pièce où le radiateur est installé. Ouvrez complètement le contrôle d'air de combustion avant d'ouvrir la porte d'alimentation en combustible.  
 Remplacez le verre uniquement par du verre céramique de 5 mm fourni par l'usine. Ne substituez pas d'autres matériaux.

**CLEARANCE TO COMBUSTIBLE SURFACES / DÉGAGEMENTS PAR RAPPORT AUX SURFACES COMBUSTIBLES**

Key	Stove To / par rapport au poêle	in	mm
A	Back Wall / paroi arrière	17	432
B	Side Wall / paroi latérale	21	534
C	Corners / coins	14	356
D	Ceiling height / hauteur	84	2134
E	Back Wall / paroi arrière	20	508
F	Side Wall / paroi latérale	29	737
G	Corners / coins	22	559

**Floor Protection / Protection de plancher**

Edge to Stove / Bord à la cuisinière		
*H	Front / l'avant	16 407
J	Back / arrière	2 51
K	Side / côté	8 204

\* Canadian Installations Require / \* Canadian Installations Nécessitent: 18" (18 po)

**CORNER INSTALLATION / COIN INSTALLATION**

**DO NOT REMOVE OR COVER THIS LABEL / NE PAS RETIRER CETTE ÉTIQUETTE**

227 Industrial Park Rd South Pittsburg, TN 37380  
Phone: (800) 750-2723 www.usstove.com

1" X 1" SYMBOL AND BORDER TO BE RED

6.00

0.1 TEXT HEIGHT

11.00

© 2010 United States Stove Company ALL RIGHTS RESERVED. THE DATA CONTAINED HEREIN IS PROPRIETARY TO U. S. STOVE COMPANY. THIS DATA SHALL NOT BE DUPLICATED, TRANSFERRED, MADE AVAILABLE, OR USED BY ANY THIRD PARTY FOR ANY PURPOSE EXCEPT SPECIFICALLY AUTHORIZED IN WRITING BY U. S. STOVE COMPANY.		TOLERANCES EXCEPT AS NOTED	HOLES ± .005" DECIMAL _XX = 0.03 XXX = 0.010 ANGULAR ±2°	DESCRIPTION NOTED NOTED KW12	SCALE 1:1 DOWN BY SEH DATE 1/30/24	SIZE REV B A	UNITED STATES STOVE COMPANY ESTABLISHED 1869	CERTIFICATION LABEL	NUMBER 853363KG	SHEET 1 OF 1
--	--	-------------------------------	---	---------------------------------------	---	-----------------------	---	---------------------	--------------------	-----------------

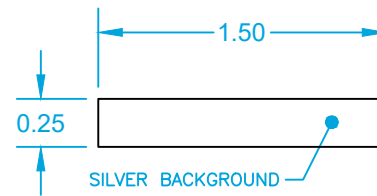
NOTES:

MATERIAL: 0.012 THK. ALUMINUM / 3M 9472 ADEHESIVE BACKED.

FINISH: BLACK BACKGROUND, ALUMINUM TO SHOW THRU (ALL TEXT AND ILLUSTRATIONS)

TEXT: ALL TEXT TO BE 0.06 HEIGHT MINIMUM

REVISION HISTORY			
REV	DESCRIPTION	DATE	BY
A	INITIAL RELEASE	1/30/24	SEH



0.1 TEXT HEIGHT

0.1 TEXT HEIGHT

0.125 TEXT HEIGHT

**Model / Modèle: KW1100E-L**  
Certified to / Certifié à: UL 1482-2022, CAN/ULC-S627:2023

-P -L  
-BP -BL

**U.S. ENVIRONMENTAL PROTECTION AGENCY**  
Certified to comply with 2020 particulate emission standards using cordwood. Tested Per EPA Methods ASTM E2515, ASTM E3053-ATM and CSA B415.1-10 - 2.4 g/hr. 66% Efficiency.

**AGENCE AMÉRICAINE DE PROTECTION DE L'ENVIRONNEMENT**  
Certifié conforme aux normes d'émission de particules 2020 en utilisant du bois de chauffage. Testé selon les méthodes EPA ASTM E2515, ASTM E3053-ATM et CSA B415.1-10 - 2.4 g/h. 66 % d'efficacité.

Manufacture Date. /  
Date de Fabrication

Serial No. /  
N° de série

**CAUTION: HOT WHILE IN OPERATION - DO NOT TOUCH - KEEP CHILDREN AND CLOTHING AWAY - CONTACT MAY CAUSE SKIN BURNS. SEE NAMEPLATE AND INSTRUCTION. KEEP FURNISHINGS AND OTHER COMBUSTIBLE MATERIALS A CONSIDERABLE DISTANCE AWAY FROM THE APPLIANCE.**

**ATTENTION: CHAUD PENDANT LE FONCTIONNEMENT. NE PAS TOUCHER. TENIR LES ENFANTS, LES VÊTEMENTS ET LES MEUBLES À L'ÉCART. LE CONTACT RISQUE DE CAUSER DES BRÛLURES À LA PEAU. VOIR LA PLAQUE SIGNALÉTIQUE ET LES INSTRUCTIONS. NE PAS LAISSER PAS LE POÊLE S'EMBALLER- SI LE POÊLE OU LE RACCORD DE CHEMINÉE ROUGE OIE, LE POÊLE EST EMBALLÉ.**

**For use with solid wood fuel only.** Do not add other fuels. Do not burn garbage or flammable fluids such as gasoline, naphtha, or engine oil. Operate only with door closed.

**PREVENT HOUSE FIRES:** Install and use only in accordance with manufacturer's installation and operating instructions. Contact local building or fire officials about restrictions and installation inspection in your area. In absence of any local codes, installation must meet minimum requirements of NFPA 211. Room heater, solid fuel type, also for use in mobile homes. The legs or pedestal, if provided, must be installed, and attached as shown in the installation instructions. This wood heater needs periodic inspection and repair for proper operation. Consult the owner's manual for further information. It is against federal regulations to operate this wood heater in a manner inconsistent with the operating instructions in the owner's manual. Not to be installed in any factory-built fireplace.

**DANGER:** Risk of Electrical Shock. Disconnect Power Before Servicing Unit. Route power cord away from unit. Do not route power cord under or in front of appliance. Do not obstruct the space beneath the heater. Do Not Use Grate or Elevate Fire - Build Wood Fire Directly on Hearth. Operate only with firebrick in place.

**CAUTION:** Fully open flue damper before opening the fuel feed door. Keep furnishings and other combustible materials a considerable distance away from this appliance.

**ELECTRICAL:** 120 VAC, 60Hz, 0.55 Amps

**PREVENT CREOSOTE FIRES:** Inspect and clean chimney frequently. Under certain conditions of use, creosote buildup may occur rapidly. **DO NOT OPERATE WITH A FLUE DRAFT EXCEEDING 0.06 INCHES OF WATER COLUMN WHEN BURNING COAL.**

**SOOT - FORMATION AND NEED FOR REMOVAL** - When wood is burned, the products of combustion combine with moisture to form a soot residue which accumulates on the flue lining. When ignited, this soot makes an extremely hot fire. The chimney connector and chimney should be inspected at least once every two months during the heating season to determine if a soot buildup has occurred. If soot has accumulated, it should be removed to reduce the risk of a chimney fire.

**CHIMNEY:** Minimum 6 inch diameter extending at least 12 feet overall measured from the top of the appliance. Refer to manufacturer's instructions and local codes for precautions required for passing chimney through a combustible wall or ceiling. Inspect and clean chimney system frequently in accordance with manufacturer's instructions. Do not run a chimney connector through a combustible wall or ceiling. Chimney must be factory built UL 103/ULC 629; or masonry, with liner. Flue connector pipe must be 6 inch diameter, minimum 24 MSG Black or 26 MSG Blue Steel. Do Not Connect This Unit to a Chimney Flue Serving Another Appliance. Do Not over fire - if the heater or chimney connector glows you are over firing.

**WARNING:** Do not obstruct the space beneath the heater.

**CAUTION:** Combustion air openings are not to be obstructed.

Provide adequate combustion air to the room where the heater is installed. Fully open the combustion air control before opening the fuel feed door.

Replace glass with factory supplied 5mm ceramic glass only. Do not substitute alternative materials.

**À utiliser uniquement avec du bois de chauffage solide.** N'ajoutez pas d'autres carburants. Ne brûlez pas de déchets ou de liquides inflammables tels que l'essence, le naphtha ou l'huile moteur. Opérer uniquement avec la porte fermée.

**PRÉVENTION DES INCENDIES DE MAISON:** N'installer et n'utiliser que conformément aux instructions d'installation et d'utilisation du fabricant. Prendre contact avec les responsables locaux de construction ou de lutte contre l'incendie au sujet des restrictions à l'installation et des exigences d'inspections chez vous. En l'absence de codes locaux, l'installation doit obligatoirement être conforme aux exigences minimales de la norme NFPA 211. Conçu pour maisons mobiles. Pour un fonctionnement correct, consultez le manuel du propriétaire pour plus d'informations. Ce est contre les règlements fédéraux pour faire fonctionner ce poêle à bois d'une manière incompatible avec les instructions d'utilisation dans le manuel du propriétaire. Les Pieds les jambes, piedestal, et l'écran thermique inférieur fournis doivent obligatoirement être installés st fixés comme indiqué par les instructions d'installation. Ne pas installer dans un foyer préfabriqué.

**DANGER:** Risque de choc électrique. Débrancher l'alimentation avant toute intervention sur l'appareil. Faire passer le cordon d'alimentation à l'écart de l'appareil. Ne pas faire passer le cordon d'alimentation sous l'appareil, ou devant celui-ci. Veuillez à toujours garder la zone au-dessous l'appareil dégagée. Ne pas utiliser de grille ou Élevate Fire - Construire feu de bois directement sur le foyer. Les briques doivent être en position durant l'utilisation.

**ATTENTION:** Ouvrir à fond la commande d'arrivée d'air de combustion avant d'ouvrir la porte de chargement. Garder les garnitures et tous autres matériaux combustibles à une distance convenable de cet appareil.

**ELECTRICITE:** 120 VAC, 60Hz, 0.55 A

**PRÉVENTION DES FEUX DE CRÉOSOTE:** Inspecter et ramoner la cheminée fréquemment. Dans certaines conditions d'utilisation, une accumulation de creosote peut survenir rapidement. **NE PAS FAIRE FONCTIONNER AVEC UN TIRAGE DE FUMÉE DE PLUS DE 0,06 POUCE DE COLONNE D'EAU LORSQUE VOUS BRÛLEZ DU CHARBON.**

**SUIE - FORMATION ET BESOIN DE RETRAIT** - Lorsque le bois est brûlé, les produits de la combustion se combinent avec l'humidité pour former un résidu de suie qui s'accumule sur le revêtement de la cheminée. Une fois enflammée, cette suie produit un feu extrêmement chaud. Le raccord de cheminée et la cheminée doivent être inspectés au moins une fois tous les deux mois pendant la saison de chauffage afin de déterminer s'il ya eu accumulation de suie. Si de la suie s'est accumulée, elle doit être retirée pour réduire le risque de feu de cheminée.

**CHEMINÉE:** Diamètre minimum de 6 pouces s'étendant sur au moins 12 pieds hors tout mesuré à partir du haut de l'appareil. Reportez-vous aux instructions du fabricant et aux codes locaux pour les précautions requises pour faire passer la cheminée à travers un mur ou un plafond combustible. Inspectez et nettoyez fréquemment le système de cheminée conformément aux instructions du fabricant. Ne faites pas passer un connecteur de cheminée à travers un mur ou un plafond combustible. La cheminée doit être fabriquée en usine UL 103/ULC 629 ; ou maçonnerie, avec liner. Le tuyau de raccordement du conduit de fumée doit avoir un diamètre de 6 pouces et un minimum d'acier noir 24 MSG ou bleu 26 MSG. Ne connectez pas cet appareil à un conduit de cheminée desservant un autre appareil. Ne pas surchauffer - si le radiateur ou le raccord de cheminée s'allume, vous surchauffez.

**AVERTISSEMENT :** N'obstruez pas l'espace sous le radiateur.

**ATTENTION :** Les ouvertures d'air de combustion ne doivent pas être obstruées. Fournir un air de combustion adéquat dans la pièce où le radiateur est installé. Ouvrez complètement le contrôle d'air de combustion avant d'ouvrir la porte d'alimentation en combustible. Remplacez le verre uniquement par du verre céramique de 5 mm fourni par l'usine. Ne substituez pas d'autres matériaux.

**CLEARANCE TO COMBUSTIBLE SURFACES / DÉGAGEMENTS PAR RAPPORT AUX SURFACES COMBUSTIBLES**

Key	Stove To / par rapport au poêle	in	mm
A	Back Wall / paroi arrière	17	432
B	Side Wall / paroi latérale	21	534
C	Corners / coins	14	356
D	Ceiling height / hauteur	84	2134
E	Back Wall / paroi arrière	20	508
F	Side Wall / paroi latérale	29	737
G	Corners/ coins	22	559

**Floor Protection / Protection de plancher**

Key	Edge to Stove / Bord à la cuisinière	in	mm
*H	Front / l'avant	16	407
J	Back / arrière	2	51
K	Side / côté	8	204

\* Canadian Installations Require / \* Canadian Installations Nécessitent: 18" (18 po)

**FLOOR PROTECTOR DIMENSIONS**  
This heater must have a non-combustible floor protector (ember protection) installed beneath it if the floor is of combustible material. If a floor pad is used, it should be ul listed or equal. The floor pad or non-combustible surface should be 1/2" thick and large enough to extend a under and to each side of the heater as shown. To be installed as a freestanding space heater with the clearances in the manufacturer's installation instructions. Not to be installed in any fireplace.

**DIMENSIONS DU PROTECTEUR DE PLANCHER**  
Cet appareil de chauffage doit être muni d'un protecteur de plancher incombustible (protection contre les braises) installé en dessous si le plancher est en matériaux combustibles. Si un tapis de sol est utilisé, il doit être listé ou égal. Le tapis de sol ou la surface non combustible doit avoir une épaisseur de 1/2 po et être assez grand pour prolonger un dessous et de chaque côté du radiateur, comme illustré. À installer en tant qu'appareil de chauffage autonome avec les dégagements indiqués dans les instructions d'installation du fabricant. Ne pas installer dans une cheminée.

**CORNER INSTALLATION / COIN INSTALLATION**

**DO NOT REMOVE OR COVER THIS LABEL / NE PAS RETIRER CETTE ÉTIQUETTE**

227 Industrial Park Rd South Pittsburg, TN 37380  
Phone: (800) 750-2723 www.usstove.com

**853363KG**

1" X 1" SYMBOL AND BORDER TO BE RED

0.1 TEXT HEIGHT

11.00

© 2010 United States Stove Company ALL RIGHTS RESERVED. THE DATA CONTAINED HEREIN IS PROPRIETARY TO U. S. STOVE COMPANY. THIS DATA SHALL NOT BE DUPLICATED, TRANSFERRED, MADE AVAILABLE, OR USED BY ANY THIRD PARTY FOR ANY PURPOSE EXCEPT SPECIFICALLY AUTHORIZED IN WRITING BY U. S. STOVE COMPANY.		TOLERANCES EXCEPT AS NOTED	HOLE ± .005" DECIMAL .XX = 0.03 XXX = 0.010 ANGULAR ±2°	DESCRIPTION NOTED NOTED REFERENCE	SCALE 1:1 DWN BY SEH DATE 1/30/24	SIZE B A	REV A	UNITED STATES STOVE COMPANY ESTABLISHED 1869	CERTIFICATION LABEL	NUMBER 853363KG	SHEET 1 OF 1
--	--	-------------------------------	---	--	--	-------------	----------	---	---------------------	--------------------	-----------------

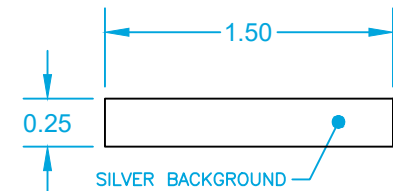
REVISION HISTORY			
REV	DESCRIPTION	DATE	BY
A	INITIAL RELEASE	1/30/24	SEH

NOTES:

MATERIAL: 0.012 THK. ALUMINUM / 3M 9472 ADEHESIVE BACKED.

FINISH: BLACK BACKGROUND, ALUMINUM TO SHOW THRU (ALL TEXT AND ILLUSTRATIONS)

TEXT: ALL TEXT TO BE 0.06 HEIGHT MINIMUM



0.1 TEXT HEIGHT      0.1 TEXT HEIGHT      0.125 TEXT HEIGHT

Model / Modèle: CH11-L  
 Certified to / Certifié à: UL 1482-2022, CAN/ULC-S627:2023

-P   -L  
-BP   -BL

**U.S. ENVIRONMENTAL PROTECTION AGENCY**  
 Certified to comply with 2020 particulate emission standards using cordwood. Tested Per EPA Methods ASTM E2515, ASTM E3053-ATM and CSA B415.1-10 - 2.4 g/hr. 66% Efficiency.

**AGENCE AMÉRICAINE DE PROTECTION DE L'ENVIRONNEMENT**  
 Certifié conforme aux normes d'émission de particules 2020 en utilisant du bois de chauffage. Testé selon les méthodes EPA ASTM E2515, ASTM E3053-ATM et CSA B415.1-10 - 2.4 g/h. 66 % d'efficacité.

Manufacture Date. /  
Date de Fabrication

Serial No. /  
N° de série

**CAUTION: HOT WHILE IN OPERATION - DO NOT TOUCH - KEEP CHILDREN AND CLOTHING AWAY - CONTACT MAY CAUSE SKIN BURNS. SEE NAMEPLATE AND INSTRUCTION. KEEP FURNISHINGS AND OTHER COMBUSTIBLE MATERIALS A CONSIDERABLE DISTANCE AWAY FROM THE APPLIANCE.**

**ATTENTION: CHAUD PENDANT LE FONCTIONNEMENT. NE PAS TOUCHER. TENIR LES ENFANTS, LES VÊTEMENTS ET LES MEUBLES À L'ÉCART. LE CONTACT RISQUE DE CAUSER DES BRÛLURES À LA PEAU. VOIR LA PLAQUE SIGNALÉTIQUE ET LES INSTRUCTIONS. NE PAS LAISSER PAS LE POÊLE S'EMBALLER- SI LE POÊLE OU LE RACCORD DE CHEMINÉE ROUGE OIE, LE POÊLE EST EMBALLÉ.**

**For use with solid wood fuel only.** Do not add other fuels. Do not burn garbage or flammable fluids such as gasoline, naphtha, or engine oil. Operate only with door closed.

**PREVENT HOUSE FIRES:** Install and use only in accordance with manufacturer's installation and operating instructions. Contact local building or fire officials about restrictions and installation inspection in your area. In absence of any local codes, installation must meet minimum requirements of NFPA 211. Room heater, solid fuel type, also for use in mobile homes. The legs or pedestal, if provided, must be installed, and attached as shown in the installation instructions. This wood heater needs periodic inspection and repair for proper operation. Consult the owner's manual for further information. It is against federal regulations to operate this wood heater in a manner inconsistent with the operating instructions in the owner's manual. Not to be installed in any factory-built fireplace.

**DANGER:** Risk of Electrical Shock. Disconnect Power Before Servicing Unit. Route power cord away from unit. Do not route power cord under or in front of appliance. Do not obstruct the space beneath the heater. Do Not Use Grate or Elevate Fire - Build Wood Fire Directly on Hearth. Operate only with firebrick in place.

**CAUTION:** Fully open flue damper before opening the fuel feed door. Keep furnishings and other combustible materials a considerable distance away from this appliance.

**ELECTRICAL:** 120 VAC, 60Hz, 0.55 Amps

**PREVENT CREOSOTE FIRES:** Inspect and clean chimney frequently. Under certain conditions of use, creosote buildup may occur rapidly. DO NOT OPERATE WITH A FLUE DRAFT EXCEEDING 0.06 INCHES OF WATER COLUMN WHEN BURNING COAL.

**SOOT - FORMATION AND NEED FOR REMOVAL -** When wood is burned, the products of combustion combine with moisture to form a soot residue which accumulates on the flue lining. When ignited, this soot makes an extremely hot fire. The chimney connector and chimney should be inspected at least once every two months during the heating season to determine if a soot buildup has occurred. If soot has accumulated, it should be removed to reduce the risk of a chimney fire.

**CHIMNEY:** Minimum 6 inch diameter extending at least 12 feet overall measured from the top of the appliance. Refer to manufacturer's instructions and local codes for precautions required for passing chimney through a combustible wall or ceiling. Inspect and clean chimney system frequently in accordance with manufacturer's instructions. Do not run a chimney connector through a combustible wall or ceiling. Chimney must be factory built UL 103/ULC 629; or masonry, with liner. Flue connector pipe must be 6 inch diameter, minimum 24 MSG Black or 26 MSG Blue Steel. Do Not Connect This Unit to a Chimney Flue Serving Another Appliance. Do Not over fire - if the heater or chimney connector glows you are over firing.

**WARNING:** Do not obstruct the space beneath the heater.

**CAUTION:** Combustion air openings are not to be obstructed.

Provide adequate combustion air to the room where the heater is installed. Fully open the combustion air control before opening the fuel feed door.

Replace glass with factory supplied 5mm ceramic glass only. Do not substitute alternative materials.

**À utiliser uniquement avec du bois de chauffage solide.** N'ajoutez pas d'autres carburants. Ne brûlez pas de déchets ou de liquides inflammables tels que l'essence, le naphtha ou l'huile moteur. Opérer uniquement avec la porte fermée.

**PRÉVENTION DES INCENDIES DE MAISON:** N'installer et n'utiliser que conformément aux instructions d'installation et d'utilisation du fabricant. Prendre contact avec les responsables locaux de construction ou de lutte contre l'incendie au sujet des restrictions à l'installation et des exigences d'inspections chez vous. En l'absence de codes locaux, l'installation doit obligatoirement être conforme aux exigences minimales de la norme NFPA 211. Conçu pour maisons mobiles. Pour un fonctionnement correct, consultez le manuel du propriétaire pour plus d'informations. Ce est contre les règlements fédéraux pour faire fonctionner ce poêle à bois d'une manière incompatible avec les instructions d'utilisation dans le manuel du propriétaire. Les Pieds les jambes, pedestal, et l'écran thermique inférieur fournis doivent obligatoirement être installés si fixés comme indiqué par les instructions d'installation. Ne pas installer dans un foyer préfabriqué.

**DANGER:** Risque de choc électrique. Débrancher l'alimentation avant toute intervention sur l'appareil. Faire passer le cordon d'alimentation à l'écart de l'appareil. Ne pas faire passer le cordon d'alimentation sous l'appareil, ou devant celui-ci. Veuillez à toujours garder la zone au-dessous l'appareil dégagée.

Ne pas utiliser de grille ou Elevate Fire - Construire feu de bois directement sur le foyer. Les briques doivent être en position durant l'utilisation.

**ATTENTION:** Ouvrir à fond la commande d'arrivée d'air de combustion avant d'ouvrir la porte de chargement. Garder les garnitures et tous autres matériaux combustibles à une distance convenable de cet appareil.

**ÉLECTRICITE:** 120 VAC, 60Hz, 0.55 A

**PRÉVENTION DES FEUX DE CRÉOSOTE:** Inspecter et ramoner la cheminée fréquemment. Dans certaines conditions d'utilisation, une accumulation de créosote peut survenir rapidement. NE PAS FAIRE FONCTIONNER AVEC UN TIRAGE DE FUMÉE DE PLUS DE 0,06 POUCE DE COLONNE D'EAU LORSQUE VOUS BRÛLEZ DU CHARBON.

**SUIE - FORMATION ET BESOIN DE RETRAIT -** Lorsque le bois est brûlé, les produits de la combustion se combinent avec l'humidité pour former un résidu de suie qui s'accumule sur le revêtement de la cheminée. Une fois enflammée, cette suie produit un feu extrêmement chaud. Le raccord de cheminée et la cheminée doivent être inspectés au moins une fois tous les deux mois pendant la saison de chauffage afin de déterminer s'il ya eu accumulation de suie. Si de la suie s'est accumulée, elle doit être retirée pour réduire le risque de feu de cheminée.

**CHEMINÉE:** Diamètre minimum de 6 pouces s'étendant sur au moins 12 pieds hors tout mesuré à partir du haut de l'appareil. Reportez-vous aux instructions du fabricant et aux codes locaux pour les précautions requises pour faire passer la cheminée à travers un mur ou un plafond combustible. Inspectez et nettoyez fréquemment le système de cheminée conformément aux instructions du fabricant. Ne faites pas passer un connecteur de cheminée à travers un mur ou un plafond combustible. La cheminée doit être fabriquée en usine UL 103/ULC 629 ; ou maçonnerie, avec liner. Le tuyau de raccordement du conduit de fumée doit avoir un diamètre de 6 pouces et un minimum d'acier noir 24 MSG ou bleu 26 MSG. Ne connectez pas cet appareil à un conduit de cheminée desservant un autre appareil. Ne pas surchauffer - si le radiateur ou le raccord de cheminée s'allume, vous surchauffez.

**AVERTISSEMENT :** N'obstruez pas l'espace sous le radiateur.

**ATTENTION :** Les ouvertures d'air de combustion ne doivent pas être obstruées.

Fournir un air de combustion adéquat dans la pièce où le radiateur est installé. Ouvrez complètement le contrôle d'air de combustion avant d'ouvrir la porte d'alimentation en combustible.

Remplacez le verre uniquement par du verre céramique de 5 mm fourni par l'usine. Ne substituez pas d'autres matériaux.

**CLEARANCE TO COMBUSTIBLE SURFACES / DÉGAGEMENTS PAR RAPPORT AUX SURFACES COMBUSTIBLES**

Key	Stove To / par rapport au poêle	in	mm
A	Back Wall / paroi arrière	17	432
B	Side Wall / paroi latérale	21	534
C	Corners / coins	14	356
D	Ceiling height / hauteur	84	2134
E	Back Wall / paroi arrière	20	508
F	Side Wall / paroi latérale	29	737
G	Corners / coins	22	559

**Floor Protection / Protection de plancher**

	Edge to Stove / Bord à la cuisinière		
*H	Front / l'avant	16	407
J	Back / arrière	2	51
K	Side / côté	8	204

\* Canadian Installations Require / \* Canadian Installations Nécessitent: 18" (18 po)

**CORNER INSTALLATION / COIN INSTALLATION**

**DO NOT REMOVE OR COVER THIS LABEL / NE PAS RETIRER CETTE ÉTIQUETTE**

227 Industrial Park Rd South Pittsburg, TN 37380  
 Phone: (800) 750-2723 www.usstove.com

1" X 1" SYMBOL AND BORDER TO BE RED



0.1 TEXT HEIGHT

11.00

6.00

© 2010 United States Stove Company		TOLERANCES	Holes ± .005"	DESCRIPTION	NOTED	SCALE	1:1	REV	B	A	UNITED STATES STOVE COMPANY	
ALL RIGHTS RESERVED. THE DATA CONTAINED HEREIN IS PROPRIETARY TO U. S. STOVE COMPANY. THIS DATA SHALL NOT BE DUPLICATED, TRANSFERRED, MADE AVAILABLE, OR USED BY ANY THIRD PARTY FOR ANY PURPOSE EXCEPT SPECIFICALLY AUTHORIZED IN WRITING BY U. S. STOVE COMPANY.		EXCEPT AS NOTED	DECIMAL .XX = 0.03 XXX = 0.010	FINISH	NOTED	DOWN BY	SEH					ESTABLISHED 1869
			ANGULAR ±2°	REFERENCE	CH11-L	DATE	1/30/24	TITLE		CERTIFICATION LABEL		
								NUMBER	853363US		SHEET	
										1 OF 1		



# Owner's Instruction and Operation Manual

# VOGELZANG

Model Numbers:

VG1120-P • VG1120-BP

VG1120-L • VG1120-BL

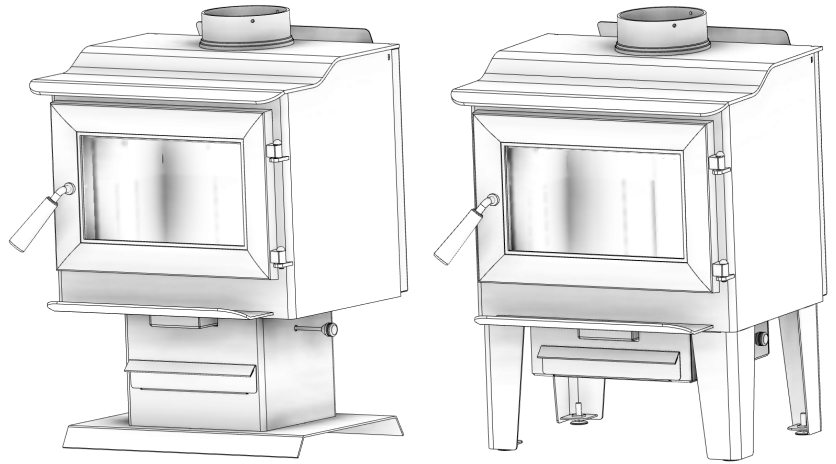


Report Number: F19-473

Tested Per EPA Methods ASTM E2515, ASTM E3053-ATM and CSA B415

Certified to UL 1482-2022 and CAN/ULC S627:2023

Mobile home/transportable buildings approved  
USA & Canada



\* All Pictures In This Manual Are For Illustrative Purposes Only. Actual Product May Vary.

853522K-1204M

Save These Instructions In A Safe Place For Future Reference.



**SAFETY NOTICE:** If this heater is not properly installed, a house fire may result. For your safety, follow the installation instructions. Never use make-shift compromises during the installation of this heater. Contact local building or fire officials about permits, restrictions and installation requirements in your area. **NEVER OPERATE THIS PRODUCT WHILE UNATTENDED.**



**CAUTION!** Please read this entire manual before you install or use your new room heater. Failure to follow instructions may result in property damage, bodily injury, or even death. Improper Installation Will Void Your Warranty!

## U.S. Environmental Protection Agency

Certified to comply with 2020 particulate emissions standards.

## **CA** CALIFORNIA PROPOSITION 65 WARNING:

This product can expose you to chemicals including carbon monoxide, which is known to the State of California to cause cancer, birth defects, and/or other reproductive harm. For more information, go to [www.P65warnings.ca.gov](http://www.P65warnings.ca.gov)

THIS MANUAL IS SUBJECT TO CHANGE WITHOUT NOTICE.



# Owner's Instruction and Operation Manual

# Ashley

America's Hearth Since 1905

Model Numbers:

AW1120E-P • AW1120E-BP

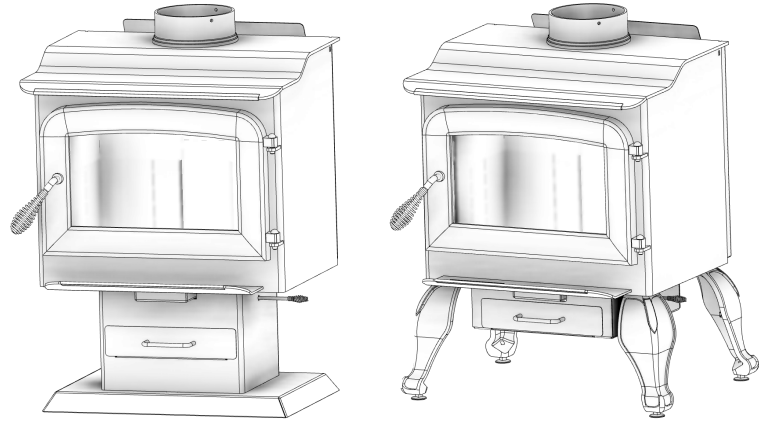
AW1120E-L • AW1120E-BL



Report Number: F19-473

Tested Per EPA Methods ASTM E2515, ASTM E3053-ATM and CSA B415

Certified to UL1482-2022 and CAN/ULC S627:2023  
Mobile home/transportable buildings approved  
USA & Canada



\* All Pictures In This Manual Are For Illustrative Purposes Only. Actual Product May Vary.

853573K-1204M

Save These Instructions In A Safe Place For Future Reference.



**SAFETY NOTICE:** If this heater is not properly installed, a house fire may result. For your safety, follow the installation instructions. Never use make-shift compromises during the installation of this heater. Contact local building or fire officials about permits, restrictions and installation requirements in your area. **NEVER OPERATE THIS PRODUCT WHILE UNATTENDED.**



**CAUTION!** Please read this entire manual before you install or use your new room heater. Failure to follow instructions may result in property damage, bodily injury, or even death. Improper Installation Will Void Your Warranty!

## U.S. Environmental Protection Agency

Certified to comply with 2020 particulate emissions standards.

## CALIFORNIA PROPOSITION 65 WARNING:

This product can expose you to chemicals including carbon monoxide, which is known to the State of California to cause cancer, birth defects, and/or other reproductive harm. For more information, go to [www.P65warnings.ca.gov](http://www.P65warnings.ca.gov)

THIS MANUAL IS SUBJECT TO CHANGE WITHOUT NOTICE.

# Owner's Instruction and Operation Manual

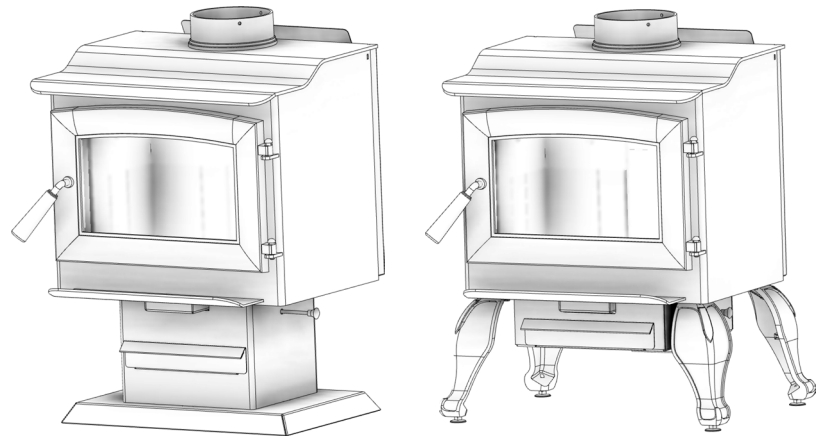


Model Number:  
KW1100E-L



Report Number: F19-473

Tested Per EPA Methods ASTM E2515, ASTM  
E3053-ATM and CSA B415  
Certified to UL 1482-2022 and CAN/ULC S627:2023  
Mobile home/transportable buildings approved  
USA & Canada



\* All Pictures In This Manual Are For Illustrative Purposes Only. Actual Product May Vary.

KG-0502N

Save These Instructions In A Safe Place For Future Reference.



**SAFETY NOTICE:** If this heater is not properly installed, a house fire may result. For your safety, follow the installation instructions. Never use make-shift compromises during the installation of this heater. Contact local building or fire officials about permits, restrictions and installation requirements in your area. **NEVER OPERATE THIS PRODUCT WHILE UNATTENDED.**



**CAUTION!** Please read this entire manual before you install or use your new room heater. Failure to follow instructions may result in property damage, bodily injury, or even death. Improper Installation Will Void Your Warranty!

## U.S. Environmental Protection Agency

Certified to comply with 2020 particulate emissions standards.



## CALIFORNIA PROPOSITION 65 WARNING:

This product can expose you to chemicals including carbon monoxide, which is known to the State of California to cause cancer, birth defects, and/or other reproductive harm. For more information, go to [www.P65warnings.ca.gov](http://www.P65warnings.ca.gov)

THIS MANUAL IS SUBJECT TO CHANGE WITHOUT NOTICE.

# Manuel d'instructions et d'utilisation du propriétaire



Numéro De Modèle:  
KW1100E-L

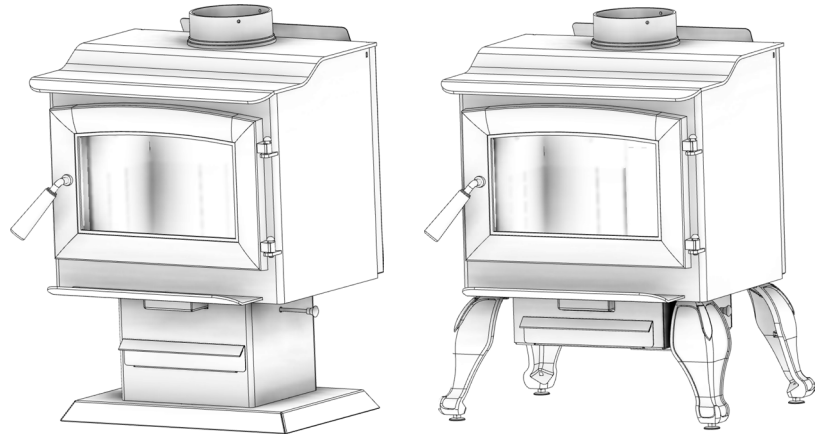


Signaler Le Numéro: F19-473

Testé selon les méthodes EPA ASTM E2515, ASTM E3053-ATM et CSA B415

Certifié UL 1482-2022 et CAN/ULC S627:2023

Approuvé pour l'installation de maisons mobiles/  
bâtiments portatifs aux États-Unis et au Canada



\* Toutes les images de ce manuel sont à des fins d'illustration uniquement. Le produit réel peut varier.

Conservez ces instructions dans un endroit sûr pour référence ultérieure.



**AVIS DE SÉCURITÉ:** Si ce radiateur n'est pas correctement installé, un incendie peut en résulter. Pour votre sécurité, suivez les instructions d'installation. N'utilisez jamais de compromis de fortune lors de l'installation de ce radiateur. Contactez les responsables locaux du bâtiment ou des pompiers pour connaître les permis, les restrictions et les exigences d'installation dans votre région. **NE JAMAIS UTILISER CE PRODUIT SANS SURVEILLANCE.**



**MISE EN GARDE!** Veuillez lire l'intégralité de ce manuel avant d'installer ou d'utiliser votre nouveau radiateur. Le non-respect des instructions peut entraîner des dommages matériels, des blessures corporelles ou même la mort. Une installation incorrecte pourrait annuler votre garantie!

## AGENCE AMÉRICAINE DE PROTECTION DE L'ENVIRONNEMENT

Certifié conforme aux normes d'émissions  
de particules 2020.



## AVERTISSEMENT SUR LA PROPOSITION 65 DE LA CALIFORNIE:

Ce produit peut vous exposer à des produits chimiques, y compris le monoxyde de carbone, qui est connu dans l'État de Californie pour provoquer le cancer, des anomalies congénitales et / ou d'autres troubles de la reproduction. Pour plus d'informations, visitez [www.P65warnings.ca.gov](http://www.P65warnings.ca.gov)

CE MANUEL EST SUJET À MODIFICATION SANS PRÉAVIS.

# Owner's Instruction and Operation Manual

*Comfort Glow*<sup>®</sup>

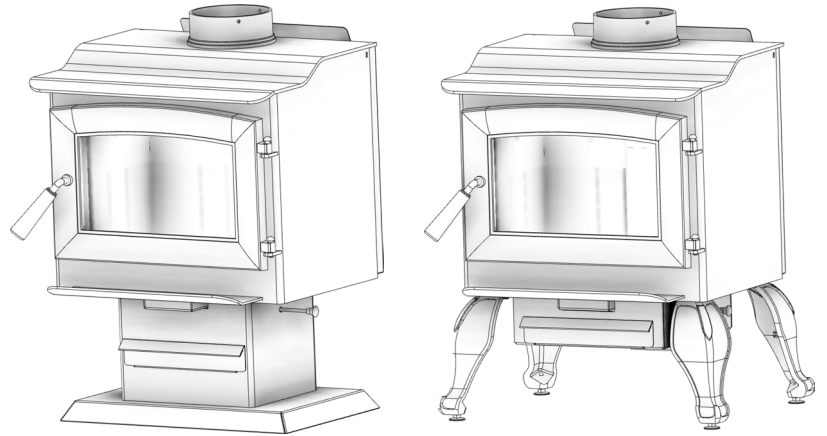
Model Number:  
CGWS1500



Report Number: F19-473

Tested Per EPA Methods ASTM E2515, ASTM E3053-ATM and CSA B415

Certified to UL1482-2022 and CAN/ULC S627:2023  
Mobile home/transportable buildings approved  
USA & Canada



\* All Pictures In This Manual Are For Illustrative Purposes Only. Actual Product May Vary.

CG-0502N

Save These Instructions In A Safe Place For Future Reference.



**SAFETY NOTICE:** If this heater is not properly installed, a house fire may result. For your safety, follow the installation instructions. Never use make-shift compromises during the installation of this heater. Contact local building or fire officials about permits, restrictions and installation requirements in your area. **NEVER OPERATE THIS PRODUCT WHILE UNATTENDED.**



**CAUTION!** Please read this entire manual before you install or use your new room heater. Failure to follow instructions may result in property damage, bodily injury, or even death. Improper Installation Will Void Your Warranty!

## U.S. Environmental Protection Agency

Certified to comply with 2020 particulate emissions standards.

## **⚠ CALIFORNIA PROPOSITION 65 WARNING:**

This product can expose you to chemicals including carbon monoxide, which is known to the State of California to cause cancer, birth defects, and/or other reproductive harm. For more information, go to [www.P65warnings.ca.gov](http://www.P65warnings.ca.gov)

THIS MANUAL IS SUBJECT TO CHANGE WITHOUT NOTICE.



# Manuel d'instructions et d'utilisation du propriétaire

## Comfort Glow®

Numéro De Modèle:  
CGWS1500

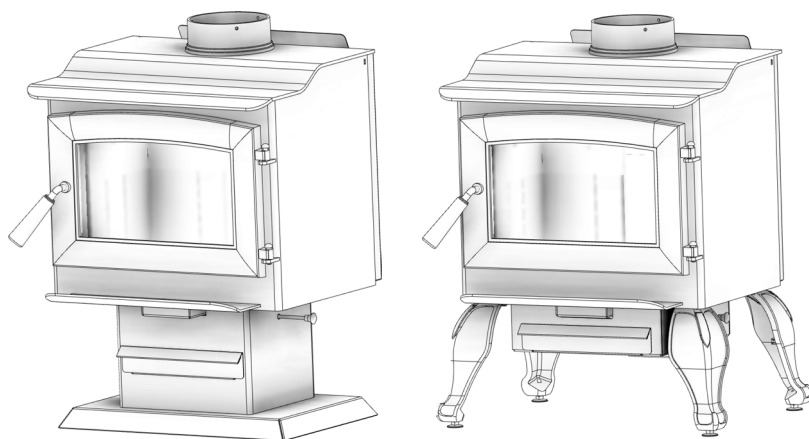


Signaler Le Numéro: F19-473

Testé selon les méthodes EPA ASTM E2515, ASTM E3053-ATM et CSA B415

Certifié UL 1482-2022 et CAN/ULC S627:2023

Approuvé pour l'installation de maisons mobiles/  
bâtiments portatifs aux États-Unis et au Canada



\* Toutes les images de ce manuel sont à des fins d'illustration uniquement. Le produit réel peut varier.

Conservez ces instructions dans un endroit sûr pour référence ultérieure.



**AVIS DE SÉCURITÉ:** Si ce radiateur n'est pas correctement installé, un incendie peut en résulter. Pour votre sécurité, suivez les instructions d'installation. N'utilisez jamais de compromis de fortune lors de l'installation de ce radiateur. Contactez les responsables locaux du bâtiment ou des pompiers pour connaître les permis, les restrictions et les exigences d'installation dans votre région. **NE JAMAIS UTILISER CE PRODUIT SANS SURVEILLANCE.**



**MISE EN GARDE!** Veuillez lire l'intégralité de ce manuel avant d'installer ou d'utiliser votre nouveau radiateur. Le non-respect des instructions peut entraîner des dommages matériels, des blessures corporelles ou même la mort. Une installation incorrecte pourrait annuler votre garantie!

### AGENCE AMÉRICAINE DE PROTECTION DE L'ENVIRONNEMENT

Certifié conforme aux normes d'émissions  
de particules 2020.



### AVERTISSEMENT SUR LA PROPOSITION 65 DE LA CALIFORNIE:

Ce produit peut vous exposer à des produits chimiques, y compris le monoxyde de carbone, qui est connu dans l'État de Californie pour provoquer le cancer, des anomalies congénitales et / ou d'autres troubles de la reproduction. Pour plus d'informations, visitez [www.P65warnings.ca.gov](http://www.P65warnings.ca.gov)

CE MANUEL EST SUJET À MODIFICATION SANS PRÉAVIS.

# Owner's Instruction and Operation Manual



Model Number:  
DHWS1500



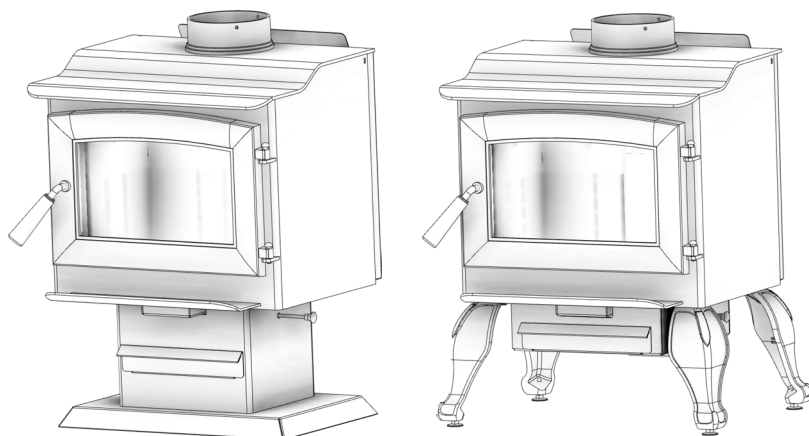
Report Number: F19-473

Tested Per EPA Methods ASTM E2515, ASTM  
E3053-ATM and CSA B415

Certified to UL 1482-2022 and CAN/ULC S627:2023

Mobile home/transportable buildings approved

USA & Canada



\* All Pictures In This Manual Are For Illustrative Purposes Only. Actual Product May Vary.

DH-0502N

Save These Instructions In A Safe Place For Future Reference.



**SAFETY NOTICE:** If this heater is not properly installed, a house fire may result. For your safety, follow the installation instructions. Never use make-shift compromises during the installation of this heater. Contact local building or fire officials about permits, restrictions and installation requirements in your area. **NEVER OPERATE THIS PRODUCT WHILE UNATTENDED.**



**CAUTION!** Please read this entire manual before you install or use your new room heater. Failure to follow instructions may result in property damage, bodily injury, or even death. Improper Installation Will Void Your Warranty!

## U.S. Environmental Protection Agency

Certified to comply with 2020 particulate emissions standards.



## CALIFORNIA PROPOSITION 65 WARNING:

This product can expose you to chemicals including carbon monoxide, which is known to the State of California to cause cancer, birth defects, and/or other reproductive harm. For more information, go to [www.P65warnings.ca.gov](http://www.P65warnings.ca.gov)

THIS MANUAL IS SUBJECT TO CHANGE WITHOUT NOTICE.

# Manuel d'instructions et d'utilisation du propriétaire



Numéro De Modèle:  
DHWS1500

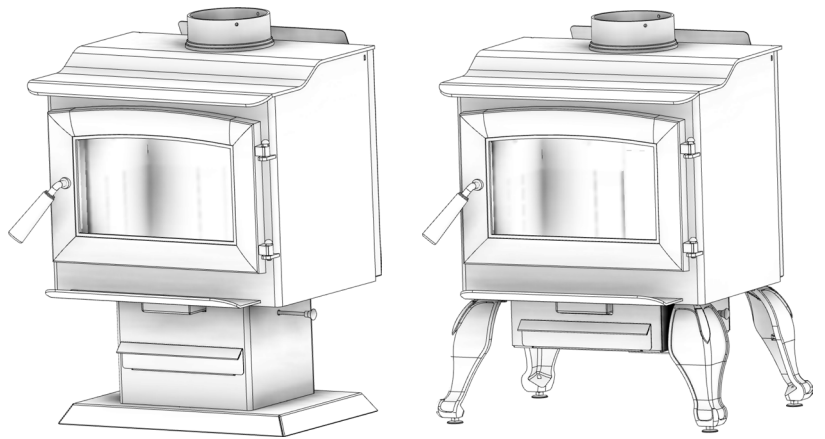


Signaler Le Numéro: F19-473

Testé selon les méthodes EPA ASTM E2515, ASTM E3053-ATM et CSA B415

Certifié UL 1482-2022 et CAN/ULC S627:2023

Approuvé pour l'installation de maisons mobiles/  
bâtiments portatifs aux États-Unis et au Canada



\* Toutes les images de ce manuel sont à des fins d'illustration uniquement. Le produit réel peut varier.

Conservez ces instructions dans un endroit sûr pour référence ultérieure.



**AVIS DE SÉCURITÉ:** Si ce radiateur n'est pas correctement installé, un incendie peut en résulter. Pour votre sécurité, suivez les instructions d'installation. N'utilisez jamais de compromis de fortune lors de l'installation de ce radiateur. Contactez les responsables locaux du bâtiment ou des pompiers pour connaître les permis, les restrictions et les exigences d'installation dans votre région. **NE JAMAIS UTILISER CE PRODUIT SANS SURVEILLANCE.**



**MISE EN GARDE!** Veuillez lire l'intégralité de ce manuel avant d'installer ou d'utiliser votre nouveau radiateur. Le non-respect des instructions peut entraîner des dommages matériels, des blessures corporelles ou même la mort. Une installation incorrecte pourrait annuler votre garantie!

## AGENCE AMÉRICAINE DE PROTECTION DE L'ENVIRONNEMENT

Certifié conforme aux normes d'émissions  
de particules 2020.



## AVERTISSEMENT SUR LA PROPOSITION 65 DE LA CALIFORNIE:

Ce produit peut vous exposer à des produits chimiques, y compris le monoxyde de carbone, qui est connu dans l'État de Californie pour provoquer le cancer, des anomalies congénitales et / ou d'autres troubles de la reproduction. Pour plus d'informations, visitez [www.P65warnings.ca.gov](http://www.P65warnings.ca.gov)

CE MANUEL EST SUJET À MODIFICATION SANS PRÉAVIS.

# Owner's Instruction and Operation Manual

**UNITED STATES  
STOVE CO.**

EST<sup>d</sup> 1869

Model Number:

CH11-L



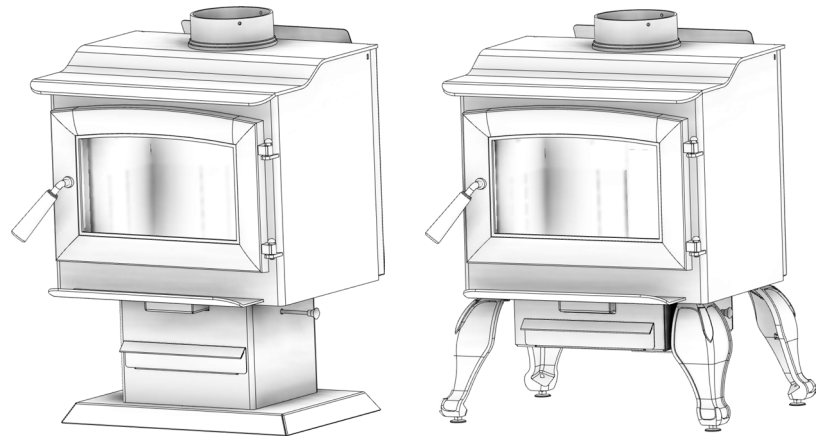
Report Number: F19-473

Tested Per EPA Methods ASTM E2515, ASTM E3053-ATM and CSA B415

Certified to UL 1482-2022 and CAN/ULC S627:2023

Mobile home/transportable buildings approved

USA & Canada



\* All Pictures In This Manual Are For Illustrative Purposes Only. Actual Product May Vary.

US-0502N

Save These Instructions In A Safe Place For Future Reference.



**SAFETY NOTICE:** If this heater is not properly installed, a house fire may result. For your safety, follow the installation instructions. Never use make-shift compromises during the installation of this heater. Contact local building or fire officials about permits, restrictions and installation requirements in your area. **NEVER OPERATE THIS PRODUCT WHILE UNATTENDED.**



**CAUTION!** Please read this entire manual before you install or use your new room heater. Failure to follow instructions may result in property damage, bodily injury, or even death. Improper Installation Will Void Your Warranty!

## U.S. Environmental Protection Agency

Certified to comply with 2020 particulate emissions standards.

## **⚠ CALIFORNIA PROPOSITION 65 WARNING:**

This product can expose you to chemicals including carbon monoxide, which is known to the State of California to cause cancer, birth defects, and/or other reproductive harm. For more information, go to [www.P65warnings.ca.gov](http://www.P65warnings.ca.gov)

THIS MANUAL IS SUBJECT TO CHANGE WITHOUT NOTICE.



# Manuel d'instructions et d'utilisation du propriétaire

**UNITED STATES  
STOVE CO.**

EST<sup>®</sup> 1869

Numéro De Modèle:  
CH11-L

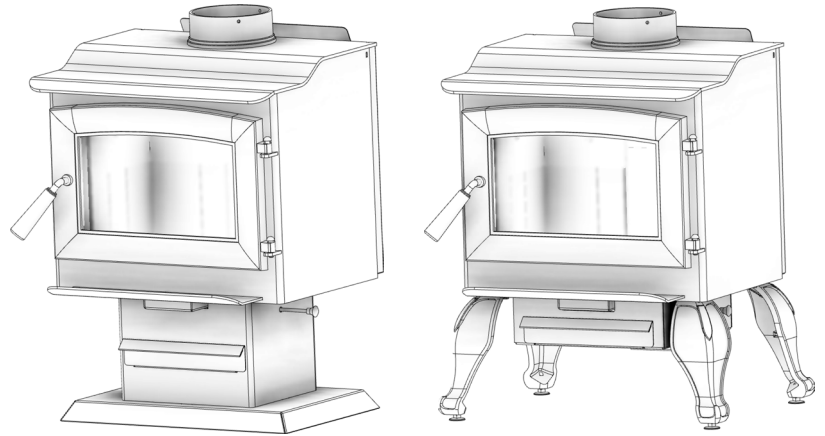


Signaler Le Numéro: F19-473

Testé selon les méthodes EPA ASTM E2515, ASTM E3053-ATM et CSA B415

Certifié UL 1482-2022 et CAN/ULC S627:2023

Approuvé pour l'installation de maisons mobiles/  
bâtiments portatifs aux États-Unis et au Canada



\* Toutes les images de ce manuel sont à des fins d'illustration uniquement. Le produit réel peut varier.

Conservez ces instructions dans un endroit sûr pour référence ultérieure.



**AVIS DE SÉCURITÉ:** Si ce radiateur n'est pas correctement installé, un incendie peut en résulter. Pour votre sécurité, suivez les instructions d'installation. N'utilisez jamais de compromis de fortune lors de l'installation de ce radiateur. Contactez les responsables locaux du bâtiment ou des pompiers pour connaître les permis, les restrictions et les exigences d'installation dans votre région. **NE JAMAIS UTILISER CE PRODUIT SANS SURVEILLANCE.**



**MISE EN GARDE!** Veuillez lire l'intégralité de ce manuel avant d'installer ou d'utiliser votre nouveau radiateur. Le non-respect des instructions peut entraîner des dommages matériels, des blessures corporelles ou même la mort. Une installation incorrecte pourrait annuler votre garantie!

**AGENCE AMÉRICAINE DE PROTECTION  
DE L'ENVIRONNEMENT**

Certifié conforme aux normes d'émissions  
de particules 2020.



**AVERTISSEMENT SUR LA PROPOSITION 65 DE LA  
CALIFORNIE:**

Ce produit peut vous exposer à des produits chimiques, y compris le monoxyde de carbone, qui est connu dans l'État de Californie pour provoquer le cancer, des anomalies congénitales et / ou d'autres troubles de la reproduction. Pour plus d'informations, visitez [www.P65warnings.ca.gov](http://www.P65warnings.ca.gov)

CE MANUEL EST SUJET À MODIFICATION SANS PRÉAVIS.

# Owner's Instruction and Operation Manual



Model Number:

KW12



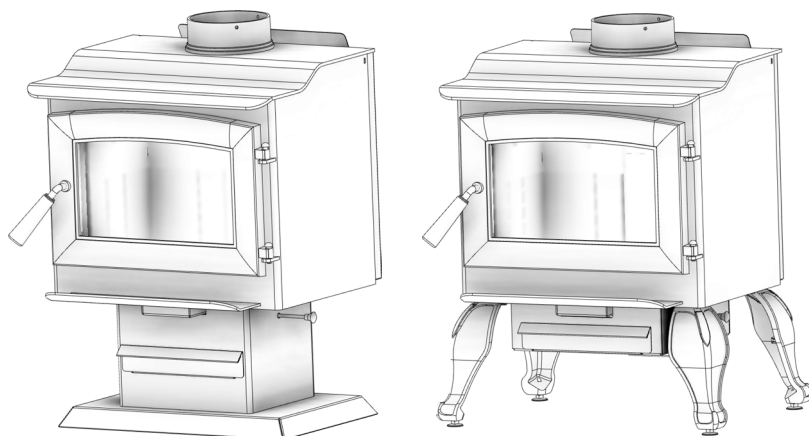
Report Number: F19-473

Tested Per EPA Methods ASTM E2515, ASTM E3053-ATM and CSA B415

Certified to UL 1482-2022 and CAN/ULC S627:2023

Mobile home/transportable buildings approved

USA & Canada



\* All Pictures In This Manual Are For Illustrative Purposes Only. Actual Product May Vary.

KW-0502N

Save These Instructions In A Safe Place For Future Reference.



**SAFETY NOTICE:** If this heater is not properly installed, a house fire may result. For your safety, follow the installation instructions. Never use make-shift compromises during the installation of this heater. Contact local building or fire officials about permits, restrictions and installation requirements in your area. **NEVER OPERATE THIS PRODUCT WHILE UNATTENDED.**



**CAUTION!** Please read this entire manual before you install or use your new room heater. Failure to follow instructions may result in property damage, bodily injury, or even death. Improper Installation Will Void Your Warranty!

## U.S. Environmental Protection Agency

Certified to comply with 2020 particulate emissions standards.



## CALIFORNIA PROPOSITION 65 WARNING:

This product can expose you to chemicals including carbon monoxide, which is known to the State of California to cause cancer, birth defects, and/or other reproductive harm. For more information, go to [www.P65warnings.ca.gov](http://www.P65warnings.ca.gov)

THIS MANUAL IS SUBJECT TO CHANGE WITHOUT NOTICE.

# Manuel d'instructions et d'utilisation du propriétaire



Numéro De Modèle:

KW12

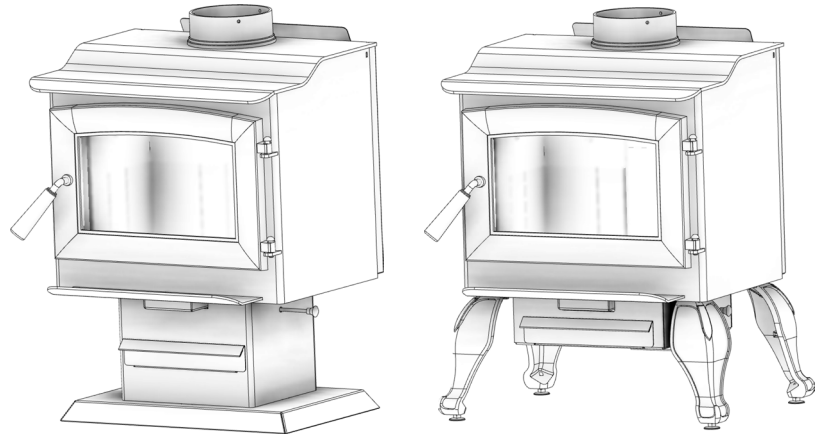


Signaler Le Numéro: F19-473

Testé selon les méthodes EPA ASTM E2515, ASTM E3053-ATM et CSA B415

Certifié UL 1482-2022 et CAN/ULC S627:2023

Approuvé pour l'installation de maisons mobiles/  
bâtiments portatifs aux États-Unis et au Canada



\* Toutes les images de ce manuel sont à des fins d'illustration uniquement. Le produit réel peut varier.

Conservez ces instructions dans un endroit sûr pour référence ultérieure.



**AVIS DE SÉCURITÉ:** Si ce radiateur n'est pas correctement installé, un incendie peut en résulter. Pour votre sécurité, suivez les instructions d'installation. N'utilisez jamais de compromis de fortune lors de l'installation de ce radiateur. Contactez les responsables locaux du bâtiment ou des pompiers pour connaître les permis, les restrictions et les exigences d'installation dans votre région. **NE JAMAIS UTILISER CE PRODUIT SANS SURVEILLANCE.**



**MISE EN GARDE!** Veuillez lire l'intégralité de ce manuel avant d'installer ou d'utiliser votre nouveau radiateur. Le non-respect des instructions peut entraîner des dommages matériels, des blessures corporelles ou même la mort. Une installation incorrecte pourrait annuler votre garantie!

## AGENCE AMÉRICAINE DE PROTECTION DE L'ENVIRONNEMENT

Certifié conforme aux normes d'émissions  
de particules 2020.



## AVERTISSEMENT SUR LA PROPOSITION 65 DE LA CALIFORNIE:

Ce produit peut vous exposer à des produits chimiques, y compris le monoxyde de carbone, qui est connu dans l'État de Californie pour provoquer le cancer, des anomalies congénitales et / ou d'autres troubles de la reproduction. Pour plus d'informations, visitez [www.P65warnings.ca.gov](http://www.P65warnings.ca.gov)

CE MANUEL EST SUJET À MODIFICATION SANS PRÉAVIS.

# LIMITED LIFETIME WARRANTY



## BRECKWELL

851937E-4005J

The operation of this unit in a manner inconsistent with the owner's manual will void the warranty and is also against federal regulations. Breckwell warrants this product to be free from defects in material and workmanship, to the original retail purchaser only, for the time period identified below, measured from the date of the initial purchase as evidenced on an invoice, canceled check, sales receipt, etc., to receipt of a claim by Breckwell or an authorized dealer, as follows:

Components Covered	Warranty Period
Firebox / Heat Exchanger	Limited Lifetime
Door	Three Year
Cabinets and Trim	One Year
Gaskets	One Year
All Electrical Components (Blower, Auger / Agitator Motor, PC Board, Switches)	One Year
Ceramic Glass	One Year
Firepot	Three Years

### **WARRANTY CONDITIONS**

This warranty only covers Breckwell appliances that are purchased through an Breckwell authorized retailer, dealer or distributor.

This warranty is only valid while the Breckwell appliance remains at the site of original installation. This warranty does not apply to products purchased for rental use.

### **PROBLEM / RESOLUTION**

- As purchaser, you must first contact the dealer and/or the distributor from whom you purchased your heater.
- If within a reasonable period of time, you do not receive satisfactory service from the distributor and/or dealer, write or call Breckwell, including complete details of the problem and/or problems you are experiencing, details of your installation, your proof of purchase, and the heater serial number and date code.

### **CLAIM PROCEDURE**

Contact Breckwell for warranty service. You will be asked to provide detailed descriptions and pertinent data, including proof of purchase which will be returned upon request. Providing the heater has been installed and used in accordance

with the Owner's Manual supplied with the heater and the issue does not fall under a situation of exclusion, Breckwell will either:

- Replace the defective part free of charge. Parts and/or service replacements made under the terms of this warranty are warranted only for the remaining period of the original heater warranty.
- Replace the heater free of charge. Should the heater be replaced by Breckwell "free of charge", all further warranty obligations are thereby met.
- Where the defect is of a cosmetic (non-functional) nature, Breckwell will bear reasonable expense to repair the heater, including such items as welding, painting, and incidental labor. A "reasonable expense" is defined by terms of this warranty as \$30.00/hour with full refund for any purchase of parts.

### **WARRANTY EXCLUSIONS**

This warranty does not cover the following:

- Damage to or changes in surface finishes as a result of normal use. As a heating appliance, some changes in color or interior and exterior surface finishes may occur. This is not a flaw and is not covered under warranty.
- Damage to printed, plated, or enameled surfaces caused by fingerprints, accidents, misuse, scratches, melted items, or other external sources and residues left on the plated surfaces from the use of abrasive cleaners or polishes.
- Repair or replacement of parts that are subject to normal wear and tear during the warranty period. These parts include: paint, pellet, and the discoloration of glass.
- Minor expansion, contraction, or movement of certain parts causing noise. These conditions are normal and complaints related to this noise are not covered by this warranty.
- Damages resulting from: (1) failure to install, operate, or maintain the appliance in accordance with the installation instructions, operating instructions, and listing agent identification label furnished with the appliance; (2) failure to install the appliance in accordance with local building codes and/or authorities having jurisdiction; (3) shipping or improper handling; (4) improper operation, abuse, misuse, continued operation with damaged, corroded or failed components, accident, alteration, or improperly/incorrectly performed repairs; (5) environmental conditions, weather, inadequate ventilation, negative pressure, or drafting caused by tightly sealed constructions, insufficient make-up air





supply, or handling devices such as exhaust fans or forced air furnaces or other such causes; (6) use of fuels other than those specified in the operating instructions; (7) installation or use of components not supplied with appliance or any other components not expressly authorized and approved by Breckwell; (8) modification of the appliance not expressly authorized and approved by Breckwell in writing; and/or (9) interruptions or fluctuations of electrical power supply to the appliance.

- Non-Breckwell venting components, hearth components or other accessories used in conjunction with the appliance.
- Breckwell's obligation under this warranty does not extend to the appliance's capability to heat the desired space. Information is provided to assist the consumer and the dealer in selecting the proper appliance for the application. Consideration must be given to appliance location and configuration, environmental conditions, insulation and air tightness of the structure.
- Problems relating to smoking or creosote. Smoking is attributable to inadequate draft due to the design or installation of the flue system or installation of the heater itself. Creosote formation is largely attributable to improper operation of the unit and/or draft as mentioned above.
- Any cost associated with product removal and re-installation, travel, transportation, or shipping.
- Service calls to diagnose trouble (unless authorized in writing by the manufacturer, distributor, or dealer).

#### **THIS WARRANTY IS VOID IF**

- The appliance has been over-fired or operated in atmospheres contaminated by chlorine, fluorine, or other damaging chemicals. Over-firing can be identified by, but not limited to, warped plates or tubes, rust colored cast iron, bubbling, cracking and discoloration of steel or enamel finishes.
- The appliance is subjected to prolonged periods of dampness or condensation.
- There is any damage to the appliance or other components due to water or weather damage which is the result of, but not limited to, improper chimney or venting installation.

#### **LIMITATIONS OF LIABILITY**

The owner's exclusive remedy and Breckwell's sole obligation under this warranty, under any other warranty, express or implied, or in contract, tort or otherwise, shall be limited to replacement, repair, or refund, in Breckwell's sole and absolute discretion. In no event will Breckwell be liable for any incidental or consequential damages. THE LIMITED WARRANTY SET FORTH HEREIN IS THE SOLE WARRANTY PROVIDED TO PURCHASER AND IS IN LIEU OF ALL OTHER WARRANTIES AND REPRESENTATIONS, EXPRESS OR IMPLIED. BRECKWELL MAKES NO REPRESENTATIONS OR WARRANTIES WHATSOEVER, EXPRESS OR IMPLIED, WITH RESPECT TO THE PRODUCT, OTHER THAN (i) THE LIMITED WARRANTY ABOVE, AND (ii) ANY IMPLIED WARRANTIES IMPOSED BY APPLICABLE LAW WHICH CANNOT BE WAIVED OR DISCLAIMED UNDER APPLICABLE LAW. ALL OTHER WARRANTIES OF ANY KIND, INCLUDING WITHOUT LIMITATION IMPLIED WARRANTIES OF MERCHANTABILITY AND FITNESS FOR A PARTICULAR PURPOSE, ARE HEREBY DISCLAIMED AND EXCLUDED TO THE FULLEST EXTENT NOT PROHIBITED BY APPLICABLE LAW. This Limited Warranty gives the purchaser specific legal rights; a purchaser may have other rights depending upon where he or she resides. Some states do not allow the exclusion or limitation of special, incidental or consequential damages, or state law may affect the duration of limitations, so the above exclusion and limitations may not be applicable.

#### **WARRANTOR**

The warrantor of record is Breckwell, 227 Industrial Park Rd., South Pittsburg, TN 37380. Phone number: 423-403-4031. Register your product on line at [www.breckwell.com](http://www.breckwell.com). Save your proof of purchase, as documented in a receipt or invoice, with your records for any claims.

### **CEtte GARANTIE EST ANNULÉE SI**

- L'appareil a subi une surchauffe ou a été utilisé avec de l'air contaminé par le chlore, le fluor ou d'autres produits chimiques nuisibles. La surchauffe peut être établie, sans s'y limiter, par la déformation des plaques ou tubes, la coulure, rouille de la fonte, l'apparition de bulles et de craquelures, et la décoloration des surfaces en acier ou émaillées.
- Si l'appareil est soumis à l'humidité ou à la condensation pendant de longues périodes.
- Dommages causés à l'appareil ou aux autres composants par l'eau ou les intempéries en raison, entre autres, d'une mauvaise installation de la cheminée ou du conduit d'évacuation.

### **RESTRICTIONS DE LA GARANTIE**

Le seul recours du propriétaire et la seule obligation de Breckwell en vertu de cette garantie ou de toute autre garantie, explicite ou tacite, contractuelle, à tort ou à raison, sont limités au remplacement, à la réparation ou au remboursement. En aucun cas, Breckwell ne saura être tenue responsable des dommages futurs ou consécutifs. LA GARANTIE LIMITEE INCLUSE AUX PRESENTES EST LA SEULE DISPONIBLE POUR L'ACHETEUR, TENANT LIEU DE TOUTES AUTRES GARANTIES OU DECLARATIONS, FORMELLE OU TACITE. BRECKWELL NE FAIT AUCUNE DECLARATION OU GARANTIE DE TOUTE SORT, QUELLE SOIT TACITE OU FORMELLE, RELATIVEMENT AU PRODUIT, AUTRE QUE (!) LA GARANTIE LIMITEE MENTIONNEE CI-DESSUS, ET (!!) TOUTE GARANTIE TACITE IMPOSEE PAR LE DROIT APPLICABLE PAR LAQUELLE ELLE NE PEUT ETRE ANNULEE OU DECLINEE SELON LE DROIT APPLICABLE. TOUTES AUTRES GARANTIES, DE TOUT GENRE, INCLUANT, MAIS SANS S'Y LIMITER, AUX GARANTIES TACITES DE QUALITE MARCHANDE OU D'APTITUDE A L'EMPLOI, SONT DONC AUX PRESENTES, DECLINEES ET EXCLUES JUSQU'A LA LIMITE DU DROIT APPLICABLE. Cette garantie limitée confère à l'acheteur des droits juridiques spécifiques, les droits de l'acheteur pourraient différer selon son lieu de résidence. Certains Etats ne permettent pas l'exclusion ou la limitation de dommages particuliers, accessoires ou indirects, ou des lois d'Etat peuvent avoir un impact sur la durée des limitations; ainsi, l'exclusion et les limitations précédentes pourraient ne pas s'appliquer.

### **GARANT**

Le garant du dossier est Breckwell, 227 Industrial Park Rd., South Pittsburg, TN 37380. Numéro de téléphone: 423-403-4031. Enregistrez votre produit en ligne au [www.breckwell.com](http://www.breckwell.com). Conservez votre preuve d'achat, documentée sous forme de facture ou de reçu, en cas de réclamation.

- Dommages causés par : (1) l'installation, l'utilisation ou la maintenance de l'appareil sans tenir compte des instructions d'installation et d'utilisation, et sans consulter l'étiquette d'identification de l'agent liste; (2) le non-respect des codes du bâtiment locaux et/ou des autorités ayant juridiction pendant l'installation de l'appareil; (3) l'expédition ou la mauvaise maintenance; (4) la mauvaise utilisation, l'abus, l'utilisation continue alors que des composants sont endommagés, corrodés ou défectueux, l'utilisation après un accident, des modifications ou des réparations négligentes/incorrectes; (5) les conditions liées à l'environnement et à la météo, une mauvaise ventilation, une pression négative ou un mauvais tirage en raison de l'étanchéité de la construction, l'approvisionnement insuffisant en air d'appoint ou d'autres dispositifs tels que des ventilateurs de tirage, des chaudières à air pulsé ou toute autre cause; (6) l'utilisation de combustibles autres que ceux mentionnés dans les instructions d'utilisation; (7) l'installation ou l'utilisation de composants qui n'ont pas été fournis avec l'appareil ou de tout autre composant n'ayant pas été expressément autorisé et approuvé par Breckwell; (8) les modifications de l'appareil qui n'ont pas été expressément autorisées et approuvées par écrit par Breckwell; et/ou (9) les interruptions ou fluctuations de l'alimentation électrique de l'appareil.
- Les composants d'évacuation des gaz, composants de l'âtre ou accessoires utilisés avec l'appareil et qui n'ont pas été fournis par Breckwell.
  - Les obligations de Breckwell, en vertu de cette garantie, ne couvrent pas la capacité de l'appareil à chauffer l'espace souhaité. Des informations sont fournies pour aider le consommateur et le détaillant lors de la sélection de l'appareil adéquat pour l'application envisagée. On doit tenir compte de l'emplacement et de la configuration de l'appareil, des conditions liées à l'environnement, de l'isolation et de l'étanchéité de la structure.
  - Problèmes liés à la fumée ou au créosote. La fumée provient généralement d'un tirage inadéquat en raison de la conception ou de l'installation du système de conduit ou de l'installation de l'appareil de chauffage lui-même. La formation de créosote est largement attribuable au mauvais fonctionnement de l'unité et/ou du tirage, comme il est mentionné ci-dessus.
  - Tous les coûts associés à l'enlèvement et à la réinstallation du produit, son déplacement, transport ou expédition.
  - Les appels de service afin de diagnostiquer les problèmes (à moins d'être reconnu par écrit par le fabricant, le distributeur ou le détaillant).

# GARANTIE À VIE LIMITÉE



# BRECKWELL

L'utilisation de cette unité en contradiction avec le manuel de l'utilisateur annulera la garantie, tout en entraînant les réglementations fédérales. Breckwell garantit, uniquement à l'acheteur au détail original, que ce produit est exempt de défauts des matériaux et de qualité de l'exécution, pendant la période indiquée ci-dessous, de la date initiale d'achat prouvée par une facture, un chèque obliéré, un reçu de vente, etc., de Breckwell ou d'un détaillant autorisé, comme suit :

Composants couverts	Période de la garantie
Boîte à feu/échangeur de chaleur	À vie limitée
Porte	Trios ans
Caissons et garniture	Un an
Joint d'étanchéité	Un an
Tous les composants électriques (ventilateur, moteur de la vis sans fin/agitateur, carte de circuit imprimé, commutateurs)	Un an
Vitre céramique	Un an
Pot à feu	Trios ans

## CONDITIONS DE LA GARANTIE

La garantie ne couvre que les appareils Breckwell achetés chez un détaillant ou distributeur Breckwell autorisé. Cette garantie n'est valide que si l'appareil Breckwell demeure sur le site d'installation d'origine. Cette garantie ne s'applique pas aux produits achetés pour la location.

## PROBLÈME / RÉSOLUTION

- En tant qu'acheteur, vous devez d'abord communiquer avec votre détaillant et/ou votre distributeur qui vous a vendu l'appareil de chauffage.
- Si vous ne recevez pas de service satisfaisant dans un délai de temps raisonnable de la part du distributeur et/ou détaillant, écrivez à ou appelez Breckwell, avec une liste complète de et/ou des problèmes que vous éprouvez, les détails concernant l'installation, votre preuve d'achat et le numéro de série de l'appareil de chauffage ou bien le numéro du code de date.

## PROCÉDURE DE RÉCLAMATION

Vous devez communiquer avec Breckwell pour obtenir du service sous garantie. On vous demandera de fournir les descriptions et données pertinentes, incluant la preuve d'achat qui sera retournée sur demande. Sous réserve que l'appareil de chauffage ait été installé et utilisé conformément avec le Manuel du propriétaire fourni avec cet appareil de chauffage et que le problème ne porte pas sur une situation d'exclusion, Breckwell :

- Remplacera sans frais la pièce défectueuse. Les pièces et/ou les remplacements d'entree effectués selon les termes de cette garantie le sont uniquement pour le reste de la période originale de la garantie de l'appareil de chauffage.
- Remplacer l'appareil de chauffage sans frais. Si l'appareil de chauffage doit être remplacé par Breckwell « sans frais », tous les engagements au titre de cette garantie seront respectés.
- Si le défaut est de nature esthétique (non fonctionnel), Breckwell assumera les frais pour réparation de l'appareil de chauffage, incluant les éléments comme la soudure, la peinture et la main-d'œuvre accessoire. Les « frais raisonnables » définis aux termes de cette garantie sont de 30,00 \$/heure avec un remboursement complet pour tout achat de pièces.

## EXCLUSIONS DE LA GARANTIE

Cette garantie ne couvre pas ce qui suit :

- Dommage ou modification du fini de la surface causé par une utilisation normale. Comme il s'agit d'un appareil de chauffage, il pourrait se produire une certaine modification de la couleur et des fins de la surface intérieure et extérieure. Il ne s'agit pas d'un défaut et ce n'est pas couvert par la garantie.
- La détérioration des surfaces imprimées, plaquées ou émaillées par les marques de doigts, accidents, abus, égratignures et pièces qui ont fondu ou autres causes externes, ainsi que les résidus laissés sur les surfaces plaquées par l'utilisation de nettoyeurs ou produits à polir abrasifs.
- La réparation ou le remplacement des pièces soumises à une usure normale pendant la période de garantie. Ces pièces comprennent : peinture, granules et décoloration de la vitre. Bruit causé par la dilatation, contraction ou déplacements mineurs de certaines pièces. Ces conditions sont normales et les réclamations liées à ce bruit ne sont pas couvertes par cette garantie.

# Limited Warranty

The operation of this unit in a manner inconsistent with the owner's manual will void the warranty and is also against federal regulations. United States Stove Company warrants this product to be free from defects in material and workmanship, to the original retail purchaser only, for the time period identified below, measured from the date of the initial purchase as evidenced on an invoice, cancelled check, sales receipt, etc., to receipt of a claim by United States Stove Company ("USSC") or an authorized dealer, as follows:

TIME PERIOD	
Steel Part/Firebox, Heat Exchanger, Door, Trim	Five Year Limited
Gaskets	One Year Limited
All Electrical Components (Blower, Auger / Agitator Motor, PC Board, Switches)	One Year Limited
Ceramic Glass	One Year Limited

## WARRANTY CONDITIONS

- This warranty only covers USSC appliances that are purchased through an USSC authorized retailer, dealer or distributor.
- This warranty is only valid while the USSC appliance remains at the site of original installation. This warranty does not apply to products purchased for rental use.

## CLAIM PROCEDURE

Contact United States Stove Company for warranty service. You will be asked to provide detailed descriptions and pertinent data, including proof of purchase which will be returned upon request. Providing the heater has been installed and used in accordance with the Owner's Manual supplied with the heater and the issue does not fall under a situation of exclusion, United States Stove Company will either:

- Replace the defective part free of charge. Parts and/or service replacements made under the terms of this warranty are warranted only for the remaining period of the original heater warranty.
- Replace the heater free of charge. Should the heater be replaced by United States Stove Company "free of charge", all further warranty obligations are thereby met.
- Where the defect is of a cosmetic (non-functional) nature, United States Stove Company will bear reasonable expense to repair the heater, including such items as welding, painting, and incidental labor. A "reasonable expense" is defined by terms of this warranty as \$30.00/hour with full refund for any purchase of parts.

## WARRANTY EXCLUSIONS

This warranty does not cover the following:

- Damage to or changes in surface finishes as a result of normal use. As a heating appliance, some changes in color or interior and exterior surface finishes may occur. This is not a flaw and is not covered under warranty.
- Damage to printed, plated, or enameled surfaces caused by fingerprints, accidents, misuse, scratches, melted items, or other external sources and residues left on the plated surfaces from the use of abrasive cleaners or polishes.
- Repair or replacement of parts that are subject to normal wear and tear during the warranty period. These parts include: paint, pellet, and the discoloration of glass.
- Minor expansion, contraction, or movement of certain parts causing noise. These conditions are normal and complaints related to this noise are not covered by this warranty.
- Damages resulting from: (1) failure to install, operate, or maintain the appliance in accordance with the installation instructions, operating instructions, and listing agent identification label furnished with the appliance; (2) failure to install the appliance in accordance with local building codes and/or authorities having jurisdiction; (3) shipping or improper handling; (4) improper operation, abuse, misuse, continued operation with damaged, corroded or failed components, accident, alteration, or improperly/incorrectly performed repairs; (5) environmental conditions, weather, inadequate ventilation, negative pressure, or drafting caused by tightly sealed constructions, insufficient make-up air supply, or handling devices such as exhaust fans or forced air furnaces or other such causes; (6) use of fuels other than those specified in the operating instructions; (7) installation or use of components not supplied with appliance

or any other components not expressly authorized and approved by USSC; (8) modification of the appliance not expressly authorized and approved by USSC in writing; and/or (9) interruptions or fluctuations of electrical power supply to the appliance.

- Non-USSC venting components, hearth components or other accessories used in conjunction with the appliance.
- USSC's obligation under this warranty does not extend to the appliance's capability to heat the desired space. Information is provided to assist the consumer and the dealer in selecting the proper appliance for the application. Consideration must be given to appliance location and configuration, environmental conditions, insulation and air tightness of the structure.
- Problems relating to smoking or creosote. Smoking is attributable to inadequate draft due to the design or installation of the flue system or installation of the heater itself. Creosote formation is largely attributable to improper operation of the unit and/or draft as mentioned above.
- Any cost associated with product removal and re-installation, travel, transportation, or shipping.
- Service calls to diagnose trouble (unless authorized in writing by the manufacturer, distributor, or dealer).

## THIS WARRANTY IS VOID IF

- The appliance has been over-fired or operated in atmospheres contaminated by chlorine, fluorine, or other damaging chemicals. Over-firing can be identified by, but not limited to, warped plates or tubes, rust colored cast iron, bubbling, cracking and discoloration of steel or enamel finishes.
- The appliance is subjected to prolonged periods of dampness or condensation.
- There is any damage to the appliance or other components due to water or weather damage which is the result of, but not limited to, improper chimney or venting installation.

## LIMITATIONS OF LIABILITY

The owner's exclusive remedy and USSC's sole obligation under this warranty, under any other warranty, express or implied, or in contract, tort or otherwise, shall be limited to replacement, repair, or refund, in USSC's sole and absolute discretion. In no event will USSC be liable for any incidental or consequential damages. THE LIMITED WARRANTY SET FORTH HEREIN IS THE SOLE WARRANTY PROVIDED TO PURCHASER AND IS IN LIEU OF ALL OTHER WARRANTIES AND REPRESENTATIONS, EXPRESS OR IMPLIED. USSC MAKES NO REPRESENTATIONS OR WARRANTIES WHATSOEVER, EXPRESS OR IMPLIED, WITH RESPECT TO THE PRODUCT, OTHER THAN (i) THE LIMITED WARRANTY ABOVE, AND (ii) ANY IMPLIED WARRANTIES IMPOSED BY APPLICABLE LAW WHICH CANNOT BE WAIVED OR DISCLAIMED UNDER APPLICABLE LAW. ALL OTHER WARRANTIES OF ANY KIND, INCLUDING WITHOUT LIMITATION IMPLIED WARRANTIES OF MERCHANTABILITY AND FITNESS FOR A PARTICULAR PURPOSE, ARE HEREBY DISCLAIMED AND EXCLUDED TO THE FULLEST EXTENT NOT PROHIBITED BY APPLICABLE LAW. This Limited Warranty gives the purchaser specific legal rights; a purchaser may have other rights depending upon where he or she resides. Some states do not allow the exclusion or limitation of special, incidental or consequential damages, or state law may affect the duration of limitations, so the above exclusion and limitations may not be applicable.

## WARRANTOR

The warrantor of record is United States Stove Company, PO Box 151, 227 Industrial Park Road, South Pittsburg, Tennessee 37380. Phone number: (800)-750-2723. Register your product on line at [www.usstove.com](http://www.usstove.com). Save your proof of purchase, as documented in a receipt or invoice, with your records for any claims.

## IMPORTANT

We congratulate you on your selection of United States Stove Company and its products. As the oldest solid fuel manufacturer in the United States (since 1869), the United States Stove Company is very proud of its products, service, employees, and satisfied customers. We would like to hear from you if you are not satisfied with the manner in which you have been handled by our distributor, dealer, representative, customer service department, parts department, or sales department. Please reach out to us by using any of the contact information listed above.



# Garantie limitée

L'utilisation de cette unité en contradiction avec le manuel de l'utilisateur annulera la garantie, tout en enfreignant les réglementations fédérales. United States Stove Company garantit, uniquement à l'acheteur au détail original, que ce produit est exempt de défauts des matériaux et de qualité de l'exécution, pendant la période indiquée ci-dessous, de la date initiale d'achat prouvée par une facture, un chèque oblitéré, un reçu de vente, etc., de United States Stove Company (« USSC ») ou d'un détaillant autorisé, comme suit :

DÉLAI PRESCRIT	
Steel Part/Firebox, Heat Exchanger, Door, Trim	Cinq ans limités
Joints d'étanchéité	Un an limités
Tous les composants électriques (Souffleur, moteur de la vis/agitateur, carte de circuit imprimé, commutateurs)	Un an limités
Vitre céramique	Un an limités

## CONDITIONS DE LA GARANTIE

- La garantie ne couvre que les appareils USSC achetés chez un détaillant ou distributeur USSC autorisé.
- Cette garantie n'est valide que si l'appareil USSC demeure sur le site d'installation d'origine. Cette garantie ne s'applique pas aux produits achetés pour la location.

## PROCÉDURE DE RÉCLAMATION

Contactez United States Stove Company pour un service sur garantie. Il vous sera demandé de fournir les descriptions et données pertinentes, incluant la preuve d'achat qui sera retournée sur demande. Sous réserve que l'appareil de chauffage ait été installé et utilisé conformément avec le Manuel du propriétaire fourni avec cet appareil de chauffage et que le problème ne porte pas sur une situation d'exclusion, United States Stove Company :

- Remplacera sans frais la pièce défectueuse. Les pièces et/ou les remplacements d'entretien effectués selon les termes de cette garantie le sont uniquement pour le reste de la période originale de la garantie de ce produit.
- Remplacer l'appareil de chauffage sans frais. Si l'appareil de chauffage doit être remplacé par United States Stove Company « sans frais », tous les engagements au titre de cette garantie seront respectés.
- Si le défaut est de nature esthétique (non fonctionnel), United States Stove Company assumera les frais pour réparation de l'appareil de chauffage, incluant les éléments comme la soudure, la peinture et la main-d'œuvre accessoire. Les « frais raisonnables » définis aux termes de cette garantie sont de 30,00 \$/heure avec un remboursement complet pour tout achat de pièces.

## EXCLUSIONS DE LA GARANTIE

Cette garantie ne couvre pas ce qui suit :

- Dommage ou modification du fini de la surface causé par une utilisation normale. Comme il s'agit d'un appareil de chauffage, il pourrait se produire une certaine modification de la couleur et des finis de la surface intérieure et extérieure. Il ne s'agit pas d'un défaut et ce n'est pas couvert par la garantie.
- Détérioration des surfaces imprimées, plaquées ou émaillées par les marques de doigts, accidents, abus, égratignures et pièces qui ont fondu ou autres causes externes, ainsi que les résidus laissés sur les surfaces plaquées par l'utilisation de nettoyeurs ou produits à polir abrasifs.
- Réparation ou remplacement des pièces soumises à une usure normale pendant la période de garantie. Ces pièces comprennent : peinture, granulés et décoloration de la vitre.
- Bruit causé par la dilatation, contraction ou déplacements mineurs de certaines pièces. Ces conditions sont normales et les réclamations liées à ce bruit ne sont pas couvertes par cette garantie.
- Dommages causés par : (1) l'installation, l'utilisation ou la maintenance de l'appareil sans tenir compte des instructions d'installation et d'utilisation, et sans consulter l'étiquette d'identification de l'agent de listé; (2) le non-respect des codes du bâtiment locaux et/ou des autorités ayant juridiction pendant l'installation de l'appareil; (3) l'expédition ou la mauvaise manutention; (4) la mauvaise utilisation, l'abus, l'utilisation continue alors que des composants sont endommagés, corrodés ou défectueux, l'utilisation après un accident, des modifications ou des réparations négligentes/incorrectes; (5) les conditions liées à l'environnement et à la météo, une mauvaise ventilation, une pression négative ou un mauvais tirage en raison de l'étanchéité de la construction, l'approvisionnement insuffisant en air d'appoint ou d'autres dispositifs tels que des ventilateurs de tirage, des chaudières à air pulsé ou toute autre cause; (6) l'utilisation de combustibles autres que ceux mentionnés dans les instructions d'utilisation; (7) l'installation ou l'utilisation de composants qui n'ont pas été

fournis avec l'appareil ou de tout autre composant n'ayant pas été expressément autorisé et approuvé par USSC; (8) les modifications de l'appareil qui n'ont pas été expressément autorisées et approuvées par écrit par USSC; et/ou (9) les interruptions ou fluctuations de l'alimentation électrique de l'appareil.

- Composants d'évacuation des gaz, composants de l'âtre ou accessoires utilisés avec l'appareil et qui n'ont pas été fournis par USSC.
- Obligations de USSC, en vertu de cette garantie, ne couvrent pas la capacité de l'appareil à chauffer l'espace souhaité. Des informations sont fournies pour aider le consommateur et le détaillant lors de la sélection de l'appareil adéquat pour l'application envisagée. On doit tenir compte de l'emplacement et de la configuration de l'appareil, des conditions liées à l'environnement, de l'isolation et de l'étanchéité de la structure.
- Problèmes liés à la fumée ou au créosote. La fumée provient généralement d'un tirage inadéquat en raison de la conception ou de l'installation du système de conduit ou de l'installation de l'appareil de chauffage lui-même. La formation de créosote est largement attribuable au mauvais fonctionnement de l'unité et/ou du tirage, comme il est mentionné ci-dessus.
- Tous les coûts associés à l'enlèvement et à la réinstallation du produit, son déplacement, transport ou expédition.
- Appels de service afin de diagnostiquer les problèmes (à moins d'être reconnu par écrit par le fabricant, le distributeur ou le détaillant).

## CETTE GARANTIE EST ANNULÉE SI

- L'appareil a subi une surchauffe ou a été utilisé avec de l'air contaminé par le chlore, le fluor ou d'autres produits chimiques nuisibles. La surchauffe peut être établie, sans s'y limiter, par la déformation des plaques ou tubes, la couleur rouille de la fonte, l'apparition de bulles et de craquelures, et la décoloration des surfaces en acier ou émaillées.
- L'appareil est soumis à l'humidité ou à la condensation pendant de longues périodes.
- Les dommages causés à l'appareil ou aux autres composants par l'eau ou les intempéries en raison, entre autres, d'une mauvaise installation de la cheminée ou du conduit d'évacuation.

## RESTRICTIONS DE LA GARANTIE

Le seul recours du propriétaire et la seule obligation de USSC en vertu de cette garantie ou de toute autre garantie, explicite ou tacite, contractuelle, à tort ou à raison, sont limités au remplacement, à la réparation ou au remboursement. En aucun cas, USSC ne saurait être tenue responsable des dommages fortuits ou consécutifs. LA GARANTIE LIMITÉE INCLUSE AUX PRÉSENTES EST LA SEULE DISPONIBLE POUR L'ACHETEUR, TENANT LIEU DE TOUTES AUTRES GARANTIES OU DÉCLARATIONS, FORMELLE OU TACITE. USSC NE FAIT AUCUNE DÉCLARATION OU GARANTIE DE TOUTE SORTE, QU'ELLE SOIT TACITE OU FORMELLE, RELATIVEMENT AU PRODUIT, AUTRE QUE (i) LA GARANTIE LIMITÉE MENTIONNÉE CI-DESSUS, ET (ii) TOUTE GARANTIE TACITE IMPOSÉE PAR LE DROIT APPLICABLE PAR LAQUELLE ELLE NE PEUT ÊTRE ANNULÉE OU DÉCLINÉE SELON LE DROIT APPLICABLE. TOUTES AUTRES GARANTIES DE TOUT GENRE, INCLUANT, MAIS SANS S'Y LIMITER, AUX GARANTIES TACITES DE QUALITÉ MARCHANDE OU D'APTITUDE À L'EMPLOI, SONT DONC AUX PRÉSENTES, DÉCLINÉES ET EXCLUES JUSQU'À LA LIMITE DU DROIT APPLICABLE. Cette garantie limitée confère à l'acheteur des droits juridiques spécifiques; les droits de l'acheteur pourraient différer selon son lieu de résidence. Certains États ne permettent pas l'exclusion ou la limitation de dommages particuliers, accessoires ou indirects, ou des lois d'État peuvent avoir un impact sur la durée des limitations; ainsi, l'exclusion et les limitations précédentes pourraient ne pas s'appliquer.

## GARANT

Le garant de ce dossier est United States Stove Company, PO Box 151, 227 Industrial Park Road, South Pittsburg, Tennessee 37380. Numéro de téléphone : (800)-750-2723. Enregistrez votre produit en ligne au [www.usstove.com](http://www.usstove.com). Conservez votre preuve d'achat, documentée sous forme de facture ou de reçu, en cas de réclamation.

## IMPORTANT

Félicitation d'avoir choisi United States Stove Company et ses produits. Étant le plus ancien fabricant de combustible solide aux États-Unis (depuis 1869), United States Stove Company est fière de ses produits, son service, ses employés, et ses clients satisfaits. Nous aimerions le savoir si vous êtes insatisfait de la façon dont vous auriez répondu l'un de nos distributeurs, détaillants, représentants, service à la clientèle, service des pièces ou service des ventes. Veuillez nous joindre en utilisant l'un des moyens pour nous contacter indiqués ci-dessous.

# Limited Warranty

The operation of this unit in a manner inconsistent with the owner's manual will void the warranty and is also against federal regulations. United States Stove Company warrants this product to be free from defects in material and workmanship, to the original retail purchaser only, for the time period identified below, measured from the date of the initial purchase as evidenced on an invoice, cancelled check, sales receipt, etc., to receipt of a claim by United States Stove Company ("USSC") or an authorized dealer, as follows:

TIME PERIOD	
Steel Part/Firebox, Heat Exchanger, Door, Trim	Two Year Limited
Gaskets	One Year Limited
All Electrical Components (Blower, Auger / Agitator Motor, PC Board, Switches)	One Year Limited
Ceramic Glass	One Year Limited

## WARRANTY CONDITIONS

- This warranty only covers USSC appliances that are purchased through an USSC authorized retailer, dealer or distributor.
- This warranty is only valid while the USSC appliance remains at the site of original installation. This warranty does not apply to products purchased for rental use.

## CLAIM PROCEDURE

Contact United States Stove Company for warranty service. You will be asked to provide detailed descriptions and pertinent data, including proof of purchase which will be returned upon request. Providing the heater has been installed and used in accordance with the Owner's Manual supplied with the heater and the issue does not fall under a situation of exclusion, United States Stove Company will either:

- Replace the defective part free of charge. Parts and/or service replacements made under the terms of this warranty are warranted only for the remaining period of the original heater warranty.
- Replace the heater free of charge. Should the heater be replaced by United States Stove Company "free of charge", all further warranty obligations are thereby met.
- Where the defect is of a cosmetic (non-functional) nature, United States Stove Company will bear reasonable expense to repair the heater, including such items as welding, painting, and incidental labor. A "reasonable expense" is defined by terms of this warranty as \$30.00/hour with full refund for any purchase of parts.

## WARRANTY EXCLUSIONS

This warranty does not cover the following:

- Damage to or changes in surface finishes as a result of normal use. As a heating appliance, some changes in color or interior and exterior surface finishes may occur. This is not a flaw and is not covered under warranty.
- Damage to printed, plated, or enameled surfaces caused by fingerprints, accidents, misuse, scratches, melted items, or other external sources and residues left on the plated surfaces from the use of abrasive cleaners or polishes.
- Repair or replacement of parts that are subject to normal wear and tear during the warranty period. These parts include: paint, pellet, and the discoloration of glass.
- Minor expansion, contraction, or movement of certain parts causing noise. These conditions are normal and complaints related to this noise are not covered by this warranty.
- Damages resulting from: (1) failure to install, operate, or maintain the appliance in accordance with the installation instructions, operating instructions, and listing agent identification label furnished with the appliance; (2) failure to install the appliance in accordance with local building codes and/or authorities having jurisdiction; (3) shipping or improper handling; (4) improper operation, abuse, misuse, continued operation with damaged, corroded or failed components, accident, alteration, or improperly/incorrectly performed repairs; (5) environmental conditions, weather, inadequate ventilation, negative pressure, or drafting caused by tightly sealed constructions, insufficient make-up air supply, or handling devices such as exhaust fans or forced air furnaces or other such causes; (6) use of fuels other than those specified in the operating instructions; (7) installation or use of components not supplied with appliance

- or any other components not expressly authorized and approved by USSC; (8) modification of the appliance not expressly authorized and approved by USSC in writing; and/or (9) interruptions or fluctuations of electrical power supply to the appliance.
- Non-USSC venting components, hearth components or other accessories used in conjunction with the appliance.
- USSC's obligation under this warranty does not extend to the appliance's capability to heat the desired space. Information is provided to assist the consumer and the dealer in selecting the proper appliance for the application. Consideration must be given to appliance location and configuration, environmental conditions, insulation and air tightness of the structure.
- Problems relating to smoking or creosote. Smoking is attributable to inadequate draft due to the design or installation of the flue system or installation of the heater itself. Creosote formation is largely attributable to improper operation of the unit and/or draft as mentioned above.
- Any cost associated with product removal and re-installation, travel, transportation, or shipping.
- Service calls to diagnose trouble (unless authorized in writing by the manufacturer, distributor, or dealer).

## THIS WARRANTY IS VOID IF

- The appliance has been over-fired or operated in atmospheres contaminated by chlorine, fluorine, or other damaging chemicals. Over-firing can be identified by, but not limited to, warped plates or tubes, rust colored cast iron, bubbling, cracking and discoloration of steel or enamel finishes.
- The appliance is subjected to prolonged periods of dampness or condensation.
- There is any damage to the appliance or other components due to water or weather damage which is the result of, but not limited to, improper chimney or venting installation.

## LIMITATIONS OF LIABILITY

The owner's exclusive remedy and USSC's sole obligation under this warranty, under any other warranty, express or implied, or in contract, tort or otherwise, shall be limited to replacement, repair, or refund, in USSC's sole and absolute discretion. In no event will USSC be liable for any incidental or consequential damages. THE LIMITED WARRANTY SET FORTH HEREIN IS THE SOLE WARRANTY PROVIDED TO PURCHASER AND IS IN LIEU OF ALL OTHER WARRANTIES AND REPRESENTATIONS, EXPRESS OR IMPLIED. USSC MAKES NO REPRESENTATIONS OR WARRANTIES WHATSOEVER, EXPRESS OR IMPLIED, WITH RESPECT TO THE PRODUCT, OTHER THAN (i) THE LIMITED WARRANTY ABOVE, AND (ii) ANY IMPLIED WARRANTIES IMPOSED BY APPLICABLE LAW WHICH CANNOT BE WAIVED OR DISCLAIMED UNDER APPLICABLE LAW. ALL OTHER WARRANTIES OF ANY KIND, INCLUDING WITHOUT LIMITATION IMPLIED WARRANTIES OF MERCHANTABILITY AND FITNESS FOR A PARTICULAR PURPOSE, ARE HEREBY DISCLAIMED AND EXCLUDED TO THE FULLEST EXTENT NOT PROHIBITED BY APPLICABLE LAW. This Limited Warranty gives the purchaser specific legal rights; a purchaser may have other rights depending upon where he or she resides. Some states do not allow the exclusion or limitation of special, incidental or consequential damages, or state law may affect the duration of limitations, so the above exclusion and limitations may not be applicable.

## WARRANTOR

The warrantor of record is United States Stove Company, PO Box 151, 227 Industrial Park Road, South Pittsburg, Tennessee 37380. Phone number: (800)-750-2723. Register your product on line at [www.usstove.com](http://www.usstove.com). Save your proof of purchase, as documented in a receipt or invoice, with your records for any claims.

## IMPORTANT

We congratulate you on your selection of United States Stove Company and its products. As the oldest solid fuel manufacturer in the United States (since 1869), the United States Stove Company is very proud of its products, service, employees, and satisfied customers. We would like to hear from you if you are not satisfied with the manner in which you have been handled by our distributor, dealer, representative, customer service department, parts department, or sales department. Please reach out to us by using any of the contact information listed above.

# Garantie limitée

L'utilisation de cette unité en contradiction avec le manuel de l'utilisateur annulera la garantie, tout en enfreignant les réglementations fédérales. United States Stove Company garantit, uniquement à l'acheteur au détail original, que ce produit est exempt de défauts des matériaux et de qualité de l'exécution, pendant la période indiquée ci-dessous, de la date initiale d'achat prouvée par une facture, un chèque oblitéré, un reçu de vente, etc., de United States Stove Company (« USSC ») ou d'un détaillant autorisé, comme suit :

DÉLAI PRESCRIT	
Steel PartFirebox, Heat Exchanger, Door, Trim	Deux ans limités
Joints d'étanchéité	Un an limités
Tous les composants électriques (Souffleur, moteur de la vis/agitateur, carte de circuit imprimé, commutateurs)	Un an limités
Vitre céramique	Un an limités

## CONDITIONS DE LA GARANTIE

- La garantie ne couvre que les appareils USSC achetés chez un détaillant ou distributeur USSC autorisé.
- Cette garantie n'est valide que si l'appareil USSC demeure sur le site d'installation d'origine. Cette garantie ne s'applique pas aux produits achetés pour la location.

## PROCÉDURE DE RÉCLAMATION

Contactez United States Stove Company pour un service sur garantie. Il vous sera demandé de fournir les descriptions et données pertinentes, incluant la preuve d'achat qui sera retournée sur demande. Sous réserve que l'appareil de chauffage ait été installé et utilisé conformément avec le Manuel du propriétaire fourni avec cet appareil de chauffage et que le problème ne porte pas sur une situation d'exclusion, United States Stove Company :

- Remplacera sans frais la pièce défectueuse. Les pièces et/ou les remplacements d'entretien effectués selon les termes de cette garantie le sont uniquement pour le reste de la période originale de la garantie de ce produit.
- Remplacer l'appareil de chauffage sans frais. Si l'appareil de chauffage doit être remplacé par United States Stove Company « sans frais », tous les engagements au titre de cette garantie seront respectés.
- Si le défaut est de nature esthétique (non fonctionnel), United States Stove Company assumera les frais pour réparation de l'appareil de chauffage, incluant les éléments comme la soudure, la peinture et la main-d'œuvre accessoire. Les « frais raisonnables » définis aux termes de cette garantie sont de 30,00 \$/heure avec un remboursement complet pour tout achat de pièces.

## EXCLUSIONS DE LA GARANTIE

Cette garantie ne couvre pas ce qui suit :

- Dommage ou modification du fini de la surface causé par une utilisation normale. Comme il s'agit d'un appareil de chauffage, il pourrait se produire une certaine modification de la couleur et des finis de la surface intérieure et extérieure. Il ne s'agit pas d'un défaut et ce n'est pas couvert par la garantie.
- Détérioration des surfaces imprimées, plaquées ou émaillées par les marques de doigts, accidents, abus, égratignures et pièces qui ont fondu ou autres causes externes, ainsi que les résidus laissés sur les surfaces plaquées par l'utilisation de nettoyeurs ou produits à polir abrasifs.
- Réparation ou remplacement des pièces soumises à une usure normale pendant la période de garantie. Ces pièces comprennent : peinture, granulés et décoloration de la vitre.
- Bruit causé par la dilatation, contraction ou déplacements mineurs de certaines pièces. Ces conditions sont normales et les réclamations liées à ce bruit ne sont pas couvertes par cette garantie.
- Dommages causés par : (1) l'installation, l'utilisation ou la maintenance de l'appareil sans tenir compte des instructions d'installation et d'utilisation, et sans consulter l'étiquette d'identification de l'agent de listé; (2) le non-respect des codes du bâtiment locaux et/ou des autorités ayant juridiction pendant l'installation de l'appareil; (3) l'expédition ou la mauvaise manutention; (4) la mauvaise utilisation, l'abus, l'utilisation continue alors que des composants sont endommagés, corrodés ou défectueux, l'utilisation après un accident, des modifications ou des réparations négligentes/incorrectes; (5) les conditions liées à l'environnement et à la météo, une mauvaise ventilation, une pression négative ou un mauvais tirage en raison de l'étanchéité de la construction, l'approvisionnement insuffisant en air d'appoint ou d'autres dispositifs tels que des ventilateurs de tirage, des chaudières à air pulsé ou toute autre cause; (6) l'utilisation de combustibles autres que ceux mentionnés dans les instructions d'utilisation; (7) l'installation ou l'utilisation de composants qui n'ont pas été

fournis avec l'appareil ou de tout autre composant n'ayant pas été expressément autorisé et approuvé par USSC; (8) les modifications de l'appareil qui n'ont pas été expressément autorisées et approuvées par écrit par USSC; et/ou (9) les interruptions ou fluctuations de l'alimentation électrique de l'appareil.

- Composants d'évacuation des gaz, composants de l'âtre ou accessoires utilisés avec l'appareil et qui n'ont pas été fournis par USSC.
- Obligations de USSC, en vertu de cette garantie, ne couvrent pas la capacité de l'appareil à chauffer l'espace souhaité. Des informations sont fournies pour aider le consommateur et le détaillant lors de la sélection de l'appareil adéquat pour l'application envisagée. On doit tenir compte de l'emplacement et de la configuration de l'appareil, des conditions liées à l'environnement, de l'isolation et de l'étanchéité de la structure.
- Problèmes liés à la fumée ou au crésote. La fumée provient généralement d'un tirage inadéquat en raison de la conception ou de l'installation du système de conduit ou de l'installation de l'appareil de chauffage lui-même. La formation de crésote est largement attribuable au mauvais fonctionnement de l'unité et/ou du tirage, comme il est mentionné ci-dessus.
- Tous les coûts associés à l'enlèvement et à la réinstallation du produit, son déplacement, transport ou expédition.
- Appels de service afin de diagnostiquer les problèmes (à moins d'être reconnu par écrit par le fabricant, le distributeur ou le détaillant).

## CETTE GARANTIE EST ANNULÉE SI

- L'appareil a subi une surchauffe ou a été utilisé avec de l'air contaminé par le chlore, le fluor ou d'autres produits chimiques nuisibles. La surchauffe peut être établie, sans s'y limiter, par la déformation des plaques ou tubes, la couleur rouille de la fonte, l'apparition de bulles et de craquelures, et la décoloration des surfaces en acier ou émaillées.
- L'appareil est soumis à l'humidité ou à la condensation pendant de longues périodes.
- Les dommages causés à l'appareil ou aux autres composants par l'eau ou les intempéries en raison, entre autres, d'une mauvaise installation de la cheminée ou du conduit d'évacuation.

## RESTRICTIONS DE LA GARANTIE

Le seul recours du propriétaire et la seule obligation de USSC en vertu de cette garantie ou de toute autre garantie, explicite ou tacite, contractuelle, à tort ou à raison, sont limités au remplacement, à la réparation ou au remboursement. En aucun cas, USSC ne saurait être tenue responsable des dommages fortuits ou consécutifs. LA GARANTIE LIMITÉE INCLUSE AUX PRÉSENTES EST LA SEULE DISPONIBLE POUR L'ACHETEUR, TENANT LIEU DE TOUTES AUTRES GARANTIES OU DÉCLARATIONS, FORMELLE OU TACITE. USSC NE FAIT AUCUNE DÉCLARATION OU GARANTIE DE TOUTE SORTE, QU'ELLE SOIT TACITE OU FORMELLE, RELATIVEMENT AU PRODUIT, AUTRE QUE (i) LA GARANTIE LIMITÉE MENTIONNÉE CI-DESSUS, ET (ii) TOUTE GARANTIE TACITE IMPOSÉE PAR LE DROIT APPLICABLE PAR LAQUELLE ELLE NE PEUT ÊTRE ANNULÉE OU DÉCLINÉE SELON LE DROIT APPLICABLE. TOUTES AUTRES GARANTIES DE TOUT GENRE, INCLUANT, MAIS SANS S'Y LIMITER, AUX GARANTIES TACITES DE QUALITÉ MARCHANDE OU D'APTITUDE À L'EMPLOI, SONT DONC AUX PRÉSENTES, DÉCLINÉES ET EXCLUES JUSQU'À LA LIMITE DU DROIT APPLICABLE. Cette garantie limitée confère à l'acheteur des droits juridiques spécifiques; les droits de l'acheteur pourraient différer selon son lieu de résidence. Certains États ne permettent pas l'exclusion ou la limitation de dommages particuliers, accessoires ou indirects, ou des lois d'État peuvent avoir un impact sur la durée des limitations; ainsi, l'exclusion et les limitations précédentes pourraient ne pas s'appliquer.

## GARANT

Le garant de ce dossier est United States Stove Company, PO Box 151, 227 Industrial Park Road, South Pittsburg, Tennessee 37380. Numéro de téléphone : (800)-750-2723. Enregistrez votre produit en ligne au [www.usstove.com](http://www.usstove.com). Conservez votre preuve d'achat, documentée sous forme de facture ou de reçu, en cas de réclamation.

## IMPORTANT

Félicitation d'avoir choisi United States Stove Company et ses produits. Étant le plus ancien fabricant de combustible solide aux États-Unis (depuis 1869), United States Stove Company est fière de ses produits, son service, ses employés, et ses clients satisfaits. Nous aimerions le savoir si vous êtes insatisfait de la façon dont vous auriez répondu l'un de nos distributeurs, détaillants, représentants, service à la clientèle, service des pièces ou service des ventes. Veuillez nous joindre en utilisant l'un des moyens pour nous contacter indiqués ci-dessous.

## APPENDIX 8: Photographs of test set up



**Dilution picture Dia 12 no. EG-031**

Polytests Services Inc. 695 B rue Gaudette, St-Jean-sur-Richelieu Québec, Canada, J3B 7S7



Velocity ports at 90 degrees and tunnel temperature location

All pipe joints are sealed.

Particulate sample extraction ports located 60 inches under velocity ports (requirement  $4D=48$  inches minimum) and 30 inches above downstream Tee. (Requirement  $2D=24$  inches minimum)

Adjustable damper for flow adjustments

Extraction blower



Last elbow from horizontal run

12 inches diameter stainless steel pipe

Velocity ports located 160 inches downstream of the last elbow (requirement  $8D=96$  inches minimum) and 60 inches upstream of the sampling ports (requirement  $4D=48$  inches minimum)

Total length between hood and sampling port: 29 feet.





Two 12 inches elbow with horizontal mixing section.

90 inches horizontal run between two elbows. Mixing section, No mixing baffle. 12 inches diameter pipe

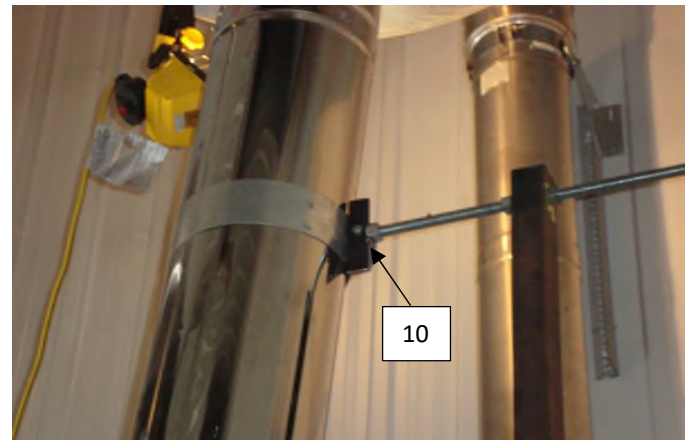
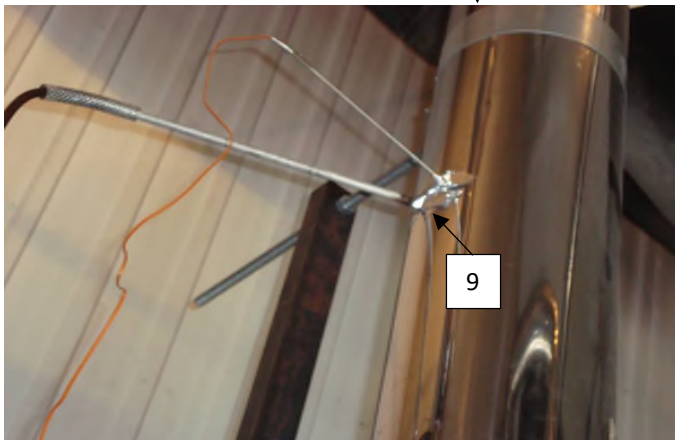
Hood diameter 48 inches (requirement  $4D=48$  inches minimum) and height of 36 inches (requirement  $3D=36$  inches minimum)

Stack sampling



Gas analysis and temperature probe

chimney support

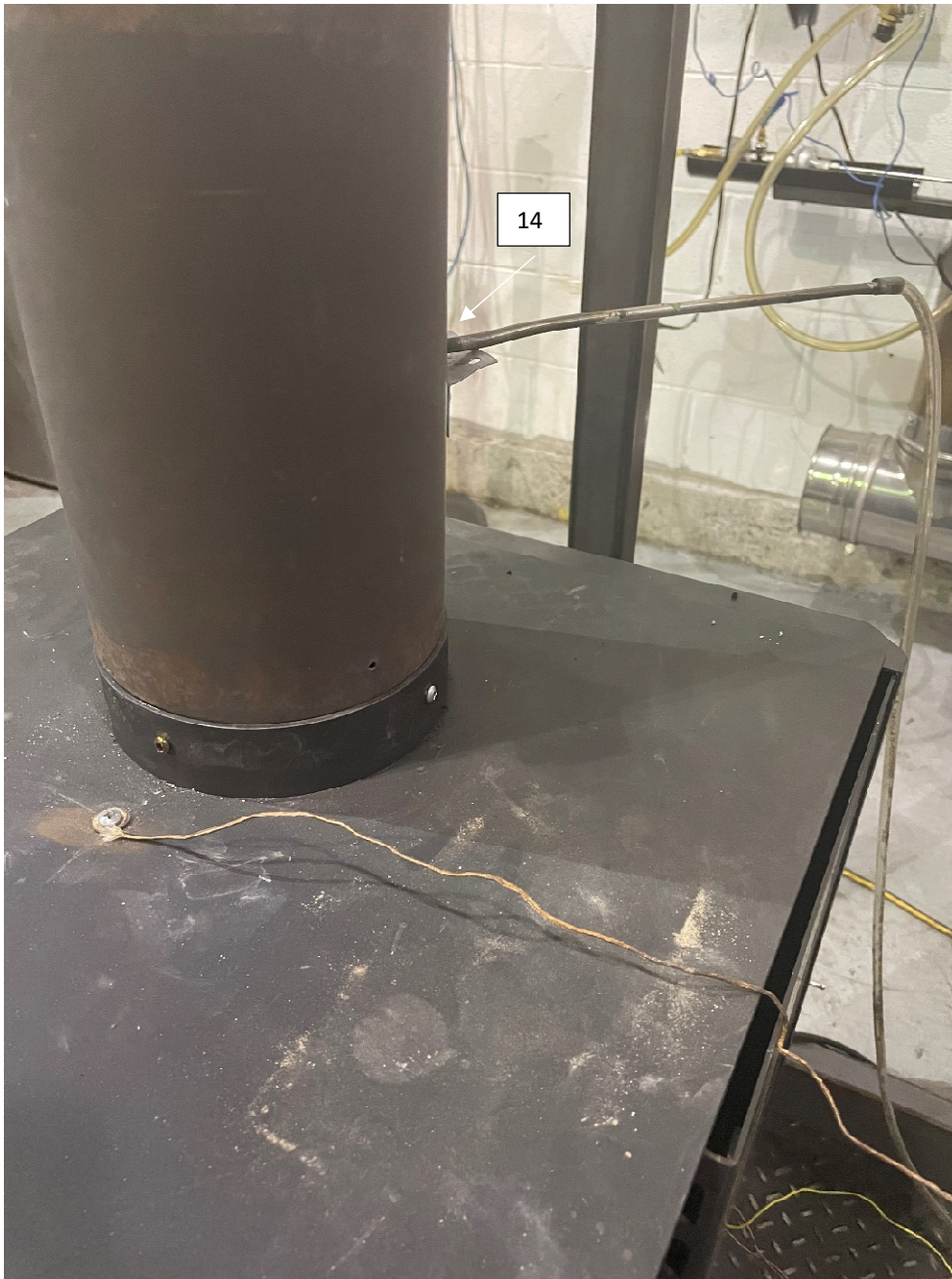


**9** : Temperature and gas analyser sampling ports located 9 feet above platform

**10** : Exhaust system support bracket

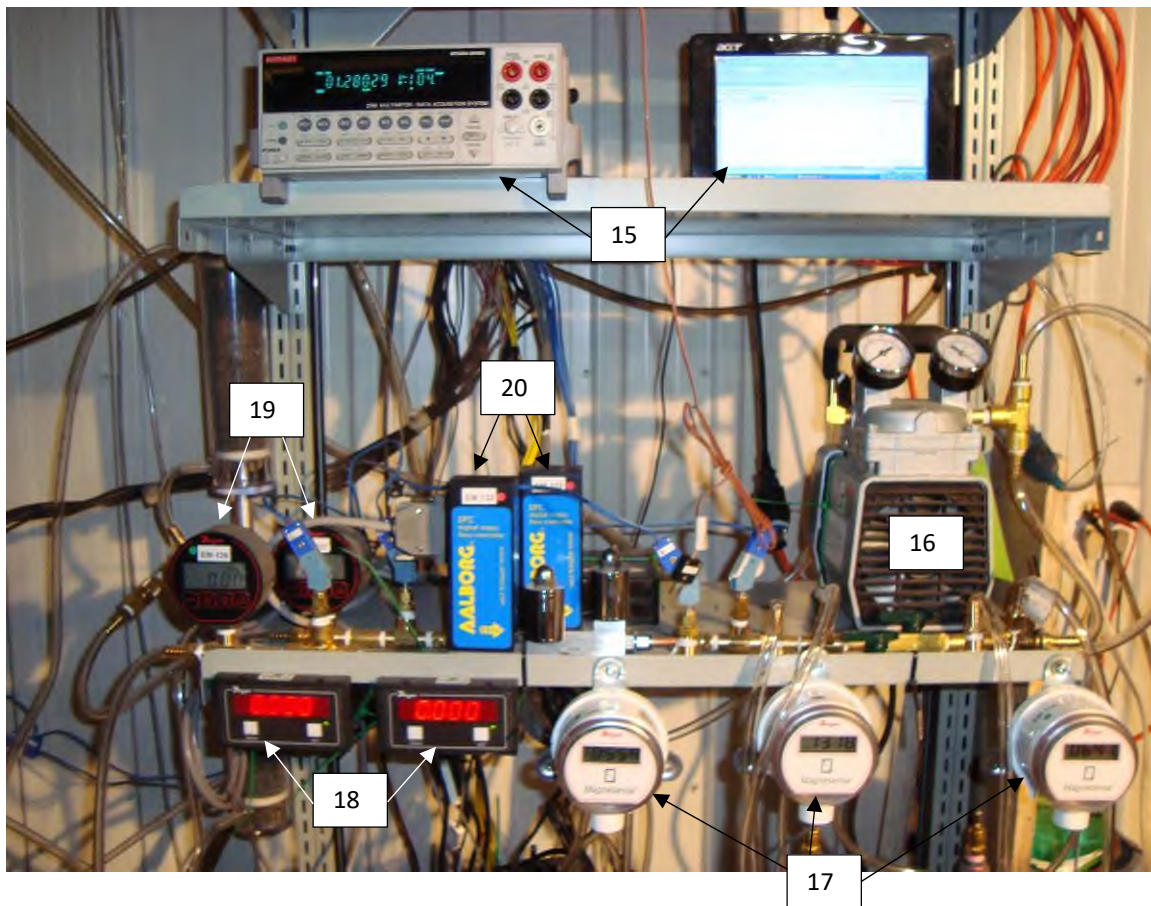


Draft sampling



**14** : Draft sampling port located 6 in. from the flue outlet

Equipment's



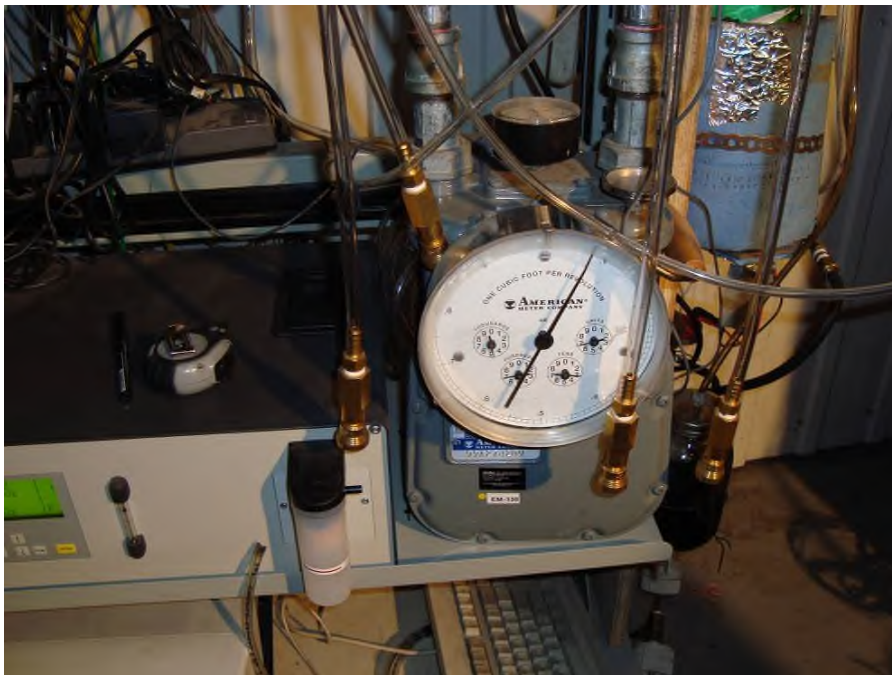
- 15 : Acquisition system
- 16 : Vacuum pump
- 17 : Digital manometer
- 18 : Digital read out for mass flow meter
- 19 : Digital vacuum gage
- 20 : Mass flow meter



Gaz analyser



Reference dry gas meter

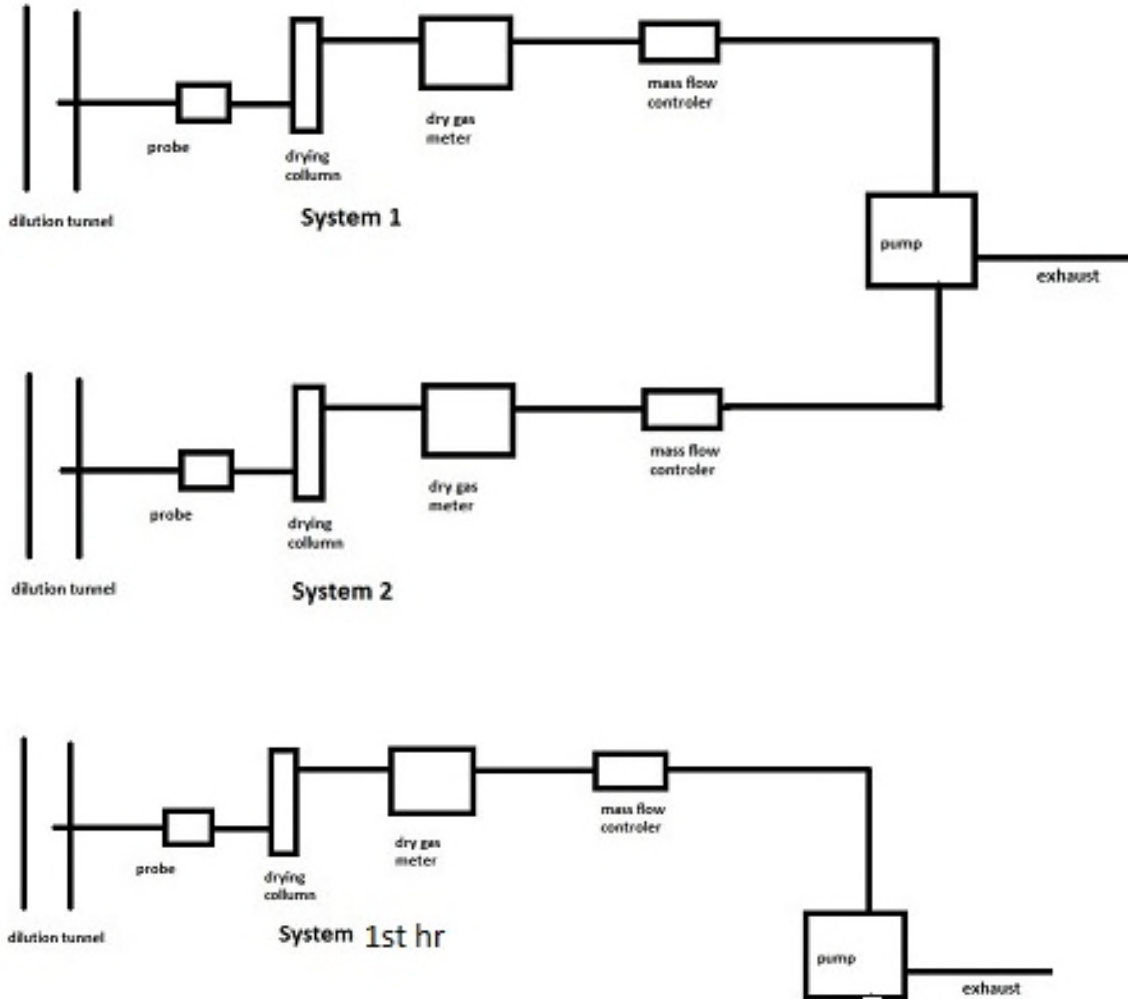


Dry gas meter for 1<sup>st</sup> hour, train 1, train 2 and room filter.





Dilution tunnel sample system



Dilution tunnel

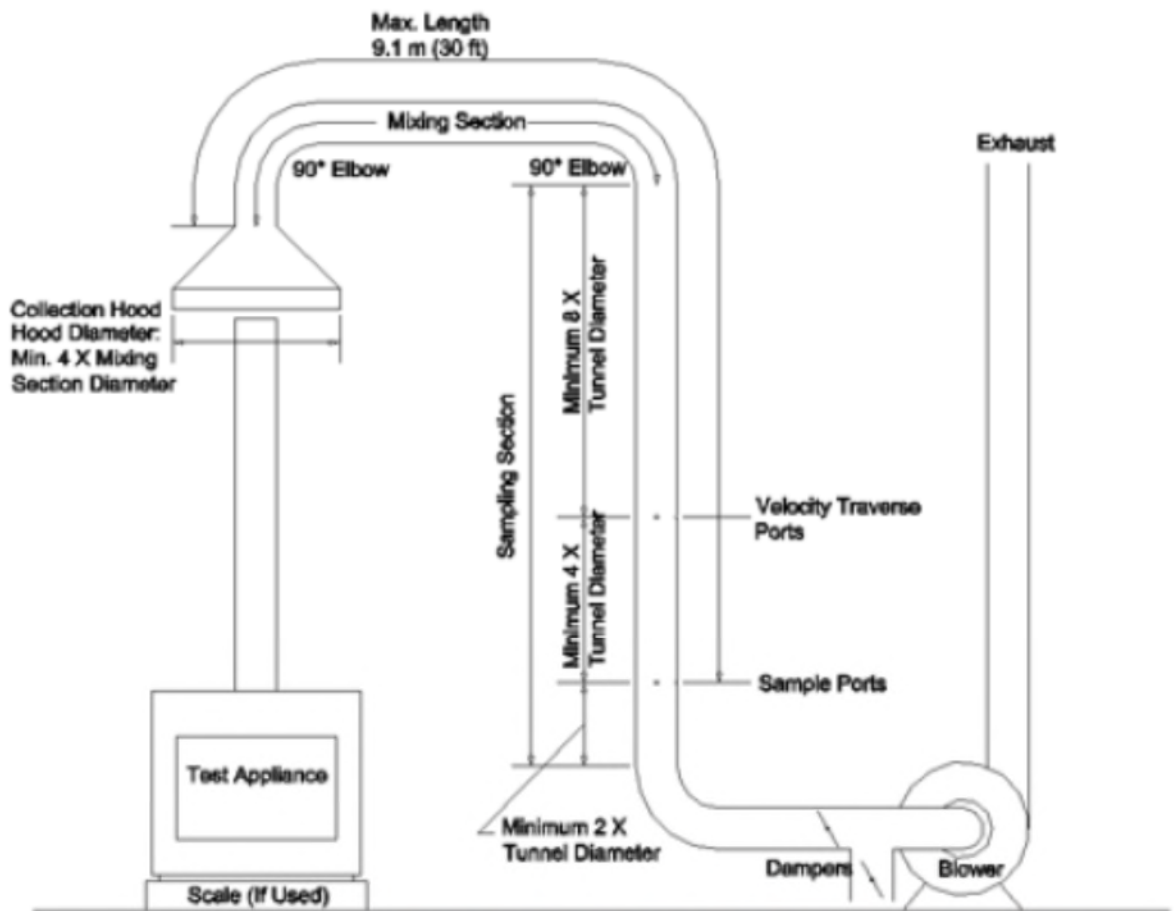








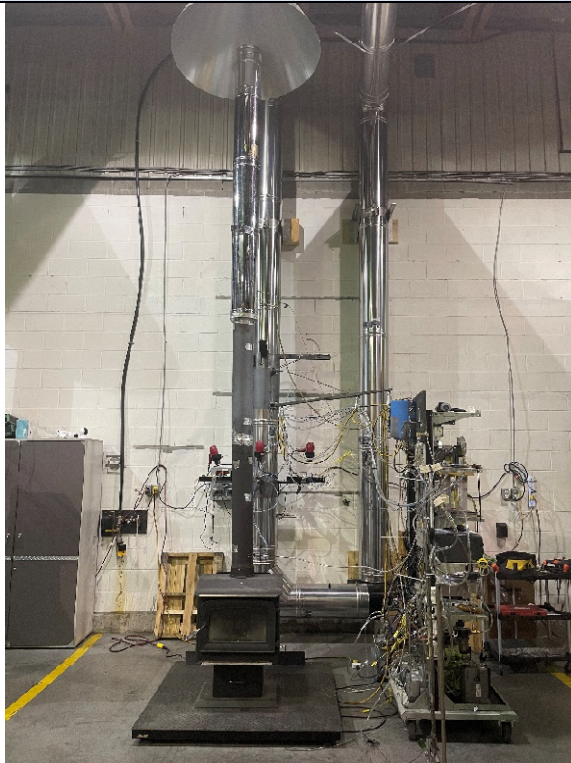
FIG. 3 Steel-Constructed Dilution Tunnel Apparatus

## APPENDIX 9: Test load photographs

<p>Air inlet maximum open for high burn rate</p>	<p>Air control maximum open for high burn rate pulled by 30.5 mm from minimum setting</p>
	
<p>Air inlet mid-point setting for medium burn rate</p>	<p>Air control mid-point setting for medium burn rate pulled by 16 mm from minimum setting</p>
	
<p>Air inlet minimum opening for minimum burn rate</p>	<p>Air control minimum opening for minimum burn rate, lowest possible setting pushed</p>
	



Front view stove setup



Left side view of the Stove



Back side view of the stove



Right side view of the stove





Run 1 February 14<sup>th</sup> 2023

Empty Firebox



Startup and kindling



Startup and kindling in the firebox



Startup and kindling ignition





Run 1 February 14<sup>th</sup> 2023

Startup and kindling end



coal bed for high burn



High burn load

High burn load in the firebox





Run 1 February 14<sup>th</sup> 2023

High burn end



coal bed raked and level for low burn



low burn load



Low burn load in the firebox





Run 2 February 16<sup>th</sup> 2023

Empty Firebox



Startup and kindling



Startup and kindling in the firebox



Startup and kindling ignition





Run 2 February 16<sup>th</sup> 2023

Startup and kindling end



High burn load

coal bed for high burn



High burn load in the firebox





Run 2 February 16<sup>th</sup> 2023

High burn end



low burn load

coal bed raked and level for low burn



Low burn load in the firebox



## APPENDIX 10: Laboratory Operating Procedures



# **POLYTESTS Services inc.**

## **SFBA EMISSIONS AND EFFICIENCY TESTING LABORATORY OPERATING PROCEDURE**

### **INTRODUCTION**

This document provides a step-by-step guide for the technician conducting tests to EPA standard requirements. Procedures outlined here, when followed, will result in tests in conformance with EPA Methods 28R, ASTM E2780, ASTM E2515, ASTM E2618, Method 28WHH, Method 28 PTS, Method ALT-125, ASTM E3053, ALT-134, ASTM E2779

The primary measurements to be made are particulate emissions rates. The technician's duties include the following steps.

1. Incoming inspection of test units.
2. Set-up of test units.
3. Preliminary testing to establish unit operating procedures and familiarity with operating controls.
4. Calibration of test equipment.
5. Set-up, checking and operation of sampling apparatus.
6. Conduct of tests including complete record keeping and data recording for non-automated functions.
7. Operation of hardware and software included in automatic data acquisition system.
8. Review and analysis of data at test completion to ensure test validity.

The technician running this test must be familiar with the following documents, which are to be kept in the laboratory at all, times.

### **EPA METHODS**

1. EPA METHODS 28R
2. ASTM E2780
3. ASTM E2515
4. ASTM E2618
5. METHOD 28WHH
6. METHOD 28 PTS
7. ALT-125
8. ASTM E3053
9. ALT-134
10. ASTM E2779

# **POLYTESTS Services** inc.

## **SFBA EMISSIONS AND EFFICIENCY TESTING LABORATORY OPERATING PROCEDURE**

### **I. APPLIANCE INSPECTION AND SET-UP**

#### **A. INCOMING INSPECTION**

1. Check for completeness of unit including parts, accessories, installation and operating instructions, drawings and specifications etc. Note any discrepancies or missing parts or information.
2. Check for shipping damage. If damage has occurred, notify the laboratory manager. In some cases, repairs may be made, provided the manufacturer and laboratory manager concur that repairs will not affect the unit's performance. If damage is irreparable, a new unit will need to be obtained.
3. Note whether unit is catalytic or non-catalytic.
4. Mark unit with manufacturer's name, model number, work order number and date received.
5. If unit is safety listed, note label data including listing agency and serial number. If unit is not listed, mark all data sheets "UNLISTED". Test results will not be released until unit passes safety tests without modification unless authorized by laboratory manager.

#### **B. UNIT SET-UP**

1. All new units must be operated for a breaking in period as follows.
  - a) Fifty (50) hours at medium burn rate with Douglas Fir scrap or cordwood. Between 18% and 25% MC.

During these break-in runs the unit may be connected to a lab chimney and fuel additions noted into the corresponding data acquisition file. For catalytic units, a thermocouple must be installed in the catalyst.

Record catalyst temperature at 1-hour intervals or on chart recorder. Operating should continue until data shows at least fifty (50) hours of operation with catalyst temperature in excess of 500 degrees Fahrenheit (active range).

For non-catalytic units a stack thermocouple should be installed and stack temperature recorded at 1-hour intervals. 50 hours minimum burn time with a stack temperature of at least 250 degrees Fahrenheit is required.

Once break-in is completed, allow unit to cool. Clean unit thoroughly.

# POLYTESTS Services inc.

## SFBA EMISSIONS AND EFFICIENCY TESTING LABORATORY OPERATING PROCEDURE

2. Unit is to be placed on scale for testing. Prior to proceeding with verification process, scale should be turned on and allowed to warm up for one (1) hour minimum. Zero scale and check calibration with standard weights. One (1) 1 kg weight and one (1) 2 kg weight are provided for this purpose. Use scale verification test form no. EPA-7-TP to record results. If scale fails to reproduce weights within tolerance, check with laboratory manager before proceeding.
3. If scale checks out, place unit on scale and align so chimney will be centered in hood.
4. Attach chimney connector and chimney. Be sure all joints are sealed below sampling points. Chimney and connector should be cleaned with a wire brush. Be sure chimney connector terminates and chimney starts at proper level above scale platform. Chimney must be supported from scale so that it does not touch test enclosure or hood walls.
5. Thermocouples should be attached to surfaces of unit prior to testing. EPA requires a thermocouple on the bottom of the firebox. This must be installed prior to putting the unit on the scale. In some cases, the required thermocouple locations will be inaccessible on finished units. These units should have thermocouples installed by the manufacturer during construction. Check with the laboratory manager if problems are encountered in proper thermocouple attachment.
6. Measure firebox dimensions and record on data forms nos. EPA-2-TP. Make a three-dimensional sketch of the firebox including firebrick, baffles and obstructions. Calculate firebox volume in cubic feet with both addition and subtraction methods using forms nos. EPA-3-TP and EPA-4-TP. See Section 6.2.4 of EPA Method 28 for details of firebox volume determination.
7. If unit is catalytically equipped, additional thermocouples must be installed upstream and downstream of catalyst. Thermocouples should also be placed in the primary and secondary combustion chambers of all units.
8. Plug thermocouples into data acquisition system jacks making a check of locations and jack numbers for each test on data form no. EPA-5-TP.
9. Note that inserts are tested as if they are freestanding stoves.
10. Dilution tunnel should be cleaned prior to each certification test series and at anytime a higher burn rate follows a lower test burn rate.

# POLYTESTS Services inc.

## SFBA EMISSIONS AND EFFICIENCY TESTING LABORATORY OPERATING PROCEDURE

### II. SAMPLING SYSTEM – SET-UP

#### A. GAS ANALYSIS

1. Instruments should be turned on and allowed to warm up for one (1) hour minimum.
2. Calibrate analyzers as follows:

NOTE: Prior to proceeding with calibration, make sure to use NIST traceable calibration gas bottles. Adjust flow meter, if necessary, at each instrument to required flow value.

- a) Using span gas, adjust span control to values specified on calibration gas label.
- b) Using nitrogene, adjust zero controls to provide a 0.00 analyzer readout.
- c) Repeat a) and b) until no further adjustment is required.
- d) Check readout vs. calibration gases (2) labels.

The CO<sub>2</sub> and CO analyzers are “ZEROED” on nitrogen. The O<sub>2</sub> analyzer is spanned on air and set for 20.9%. It is zeroed on nitrogen as well.

3. Check for response time synchronization.
  - a) With no fire in unit, allow reading to stabilize (O<sub>2</sub> should be 20.93, CO and CO<sub>2</sub> should equal 0).
  - b) Flow the calibration gas in the unit and start stop watch. Note the time required for each unit to reach .90 of the calibration gas bottle value. If all three analyzers reach this value within 15 seconds of each other, synchronization is adequate. If not, contact the laboratory manager. Synchronization is adjusted by internal instrument setting.
4. Set-up sample clean-up and water collection train as follows.
  - a) Load impingers as follows:  
Impinger #1: 100 ml distilled water and 5 ml H<sub>2</sub>SO<sub>4</sub>  
Impinger #2: 100 ml distilled water and 5 ml H<sub>2</sub>SO<sub>4</sub>  
Impinger #3: Empty  
Impinger #4: 200 – 300 grams silica gel (dry)
  - b) Place impingers in container and connect with “U TUBES”. Grease carefully on bottom half of ball joint so that grease will not get into tubes.



# POLYTESTS Services inc.

## SFBA EMISSIONS AND EFFICIENCY TESTING LABORATORY OPERATING PROCEDURE

- c) Connect filter to first impinger and sample line to last impinger.
  
- e. Leak check system as follows.
  - 1) Plug probe.
  - 2) Turn on sample system.
  - 3) Observe sample flow rotometer and vacuum gauge. If necessary, use vacuum; adjust valve to set vacuum to the maximum inches Hg.
  - 4) If the float in rotometer does not stabilize below 10 on scale, system must be resealed.
  - 5) Repeat leak check procedure until satisfactory results are obtained.
  
- f) Just prior to starting test, fill impinger container with water and ice and record ambient conditions on data form no. EPA-8-TP.

### **B. DILUTION TUNNEL SAMPLE TRAIN SET-UP**

- 1. Filters and holders.
  - a) Clean probes and filter holder front housings carefully and desiccate for at least 48 hours prior to use.
  - b) Filters should be numbered and filter and probe combinations labeled prior to use.
  - c) Weigh desiccated filters and probe-filter units on analytical balance. Record weights data form no. EPA-10-TP. Note that probe and front half of front filter are to be weighed as a unit.
  - d) Carefully assemble filter holder units and connect to sampling systems. Check "DRIERITE" columns for adequate dry absorbent (blue).
  
- 2. Leak checking.
  - a) Each sample system is to be checked for leakage prior to inserting probes in tunnel.
  - b) Plug probes and start samplers, adjust pump bypass valve to produce a vacuum reading of 10 inches Hg. (NOTE: During test, vacuum must not exceed 10 inches unless posttest leak check shows acceptable results.)
  - c) Allow vacuum indication to stabilize for two (2) minutes, then record time and dry gas (DGM<sub>1</sub>) and (DGM<sub>2</sub>) meter readings. Wait ten (10) minutes and record dry gas meter readings again (DGM<sub>3</sub>, DGM<sub>4</sub>).

# POLYTESTS Services inc.

## SFBA EMISSIONS AND EFFICIENCY TESTING LABORATORY OPERATING PROCEDURE

NOTE: If mark, system is leaking too much and all seals should be checked.

d) Calculate leakage rate as follows.

1) System 1:  $\frac{(DGM_3 - DGM_1)}{10} = CFM_1$

2) System 2:  $\frac{(DGM_4 - DGM_2)}{10} = CFM_2$

If  $CFM_1$  or  $CFM_2$  is greater than .02 CFM, leakage is unacceptable and system must be resealed.

If  $CFM_1$  or  $CFM_2$  is greater than  $0.04 \times$  sample rate, leakage is unacceptable. For most tests, the sample rate will be about 0.15 CFM, thus leakage rates in excess of  $0.04 \times 0.15 = 0.006$  CFM are not acceptable. Record leakage rates on form no. EPA-5-TP

e) Once leakage check is satisfactory, unplug probe and set flow to appropriate rate for test. This should be done in the minimum amount of time necessary and with the probes in ambient air. Do not insert probes in tunnel until the start of the test run. When flow is established, replug probes to prevent contamination.

### III. TEST CONDUCT

#### A. FUEL LOAD

1. Determine optimum load weight by multiplying firebox volume in cubic feet by 7 or (10 and 12 for cordwood method). This is the load weight on an as-fired basis.
2. Determine piece size to obtain the requested load configuration and meet the test load weight criteria. The load should consist of the following: **TO BE DETERMINED**
3. Weigh out test load and adjust weight by shortening all pieces equally if necessary. Record individual piece load on form no. EPA-11-TP.

# **POLYTESTS Services** inc.

## SFBA EMISSIONS AND EFFICIENCY TESTING LABORATORY OPERATING PROCEDURE

4. Measure and record moisture content of each fuel piece using Delmhorst moisture meter. Determine if fuel load moisture content is in required range. If not, construct new load using wood with required moisture content. All wood in the humidity chamber should be within range. Contact project manager if you cannot find suitable pieces. Record moisture of each individual piece load on form no. EPA-11-TP.

### **B. UNIT START-UP**

1. Before lighting a fire, turn on dilution tunnel and set tunnel velocity to 500ft/min Record readings on data form no. EPA-9-TP.
2. Check draft imposed on cold stove with all inlets closed and a draft gauge in the chimney. If draft is greater than 0.005 inches water column, adjust tunnel to stack gap until draft is less than 0.005.
3. Check for ambient airflow around unit with hot wire anemometer. Must be less than 50 ft/min.
4. Check all equipment for proper operation. Analyzers should be on and in sample mode. Computer should be loaded with test program and awaiting test start command.
5. Zero scale and start fire with uncolored newspaper and kindling representing 10 % of test load with the same type of fuel.
6. Once kindling is burning well after 5 minutes, add splitted pieces having a bottom surface around 4 sq. inches and representing 25% of test load weight. Operate at high fire for 15 minutes. Then adjust settings to intended test run levels as per the manufacturers.
7. Following addition of pretest fuel load (splitted pieces), start computer for data logging.
8. All fuel additions, air intake settings and operational characteristics shall be noted with associated time stamp on form no. EPA-1-TP.

# POLYTESTS Services inc.

## SFBA EMISSIONS AND EFFICIENCY TESTING LABORATORY OPERATING PROCEDURE

### C. TEST RUN

1. Once the targeted test fuel bed weight is obtained, the test is to be started as follows:
  - a) Insert the sample probes into the tunnel being careful not to hit sides of tunnel with probe tip.
  - b) Check tunnel pitot tube for proper position. (Pitot should be carefully cleaned prior to each test.)
  - c) Turn on probe sample systems and stack sampler.
  - d) Open stove door, rake coals and load stove as follows: **TO BE DETERMINED**
  - e) Close door or follow manufacturer's start-up procedures. (Five (5) minutes maximum time before all doors and controls must be set to final positions for duration of test. 15 minutes or 15% of lad burned allowed for ALT-125 method))
  - f) An alarm will sound an audible signal at the (10) minutes intervals. This signals a reading interval. You must verify at each interval that the following readings are correctly logged by the data acquisition system and make observations of any unusual or non-routine events that could occur.
    - 1) Rotometer readings.
    - 2) Tunnel pitot tube reading.  
(Zero regularly between readings)
    - 3) Gas meter readings.
    - 4) Temperature readings.
    - 5) Draft reading
    - 6) Test load weight
    - 7) CO, CO<sub>2</sub> and O<sub>2</sub> readings
    - 8) Observations of any unusual or non-routine events.
  - g) During the test, any condition approaching unacceptable limits will be noted. The filter probes and housings are installed in small holders just outside the tunnel. If the filter temperature gets too high, you will have to increase the water flow through the cooling unit until acceptable temperatures are obtained. In between readings, check on other equipment. Be sure dryers and filters are working and monitor impinger train for proper water and ice levels etc.
  - h) When the fuel charge is consumed, it will signal end of test and shut down the sampling systems. When this occurs,



# **POLYTESTS Services** inc.

## SFBA EMISSIONS AND EFFICIENCY TESTING LABORATORY OPERATING PROCEDURE

remove filter holder and probes from tunnel and impingers from sample line.

### IV. POST TEST PROCEDURES

#### **A. SAMPLE RECOVERY – FILTER TRAINS**

1. Carefully clean outside of probes and filter housings with alcohol.
2. Disassemble filter holder and transfer filters to clean petri dish. Scrape gasket with scalpel and collect any loose material on filters.
3. Place probe and front half of first filter holders (still assembled) and filters in desiccator. Allow 48-hour desiccation before weighing.
4. Weigh probe filter holder units and filters at six (6) hour intervals minimum until weight change between weightings is less than 0.2 mg. Record all weights taken on data form no. EPA-10-TP.

#### **B. CALCULATION OF RESULTS**

The computer program carries out all final calculations. When run, it will ask for data from forms used during the test. Enter data as called for.

### GENERAL

This guide cannot cover every possible contingency, which may develop during a particular test program. Many questions, which may arise, can be answered by a complete understanding of the test standards and their intent. When in doubt on any detail, check with the laboratory manager and be sure you understand the procedures involved.

It is critical that all spaces on the data forms be properly filled in. Each test must be represented by a complete record of what was done and when.

## APPENDIX 11: Sample calculations

## Validation du fichier de calcul avec les équations provenant des normes:

ASTM E2515-11

ASTME3053-17

Equation 9,2 (1)

$$M_{fldb} = \sum (M_{flnwb}) (100) / (100 + MC_{fln})$$

### Nomenclature

$M_{FLdb}$	Weight of test fuel load, dry basis lb (kg)
$M_{FLnwb}$	Weight of each test fuel pieces, n, in test fuel load per 8,4,1, wet basis, lb (kg)
$MC_{FLn}$	Average fuel moisture of test fuel piece, n , in test fuel load % dry basis
n	individual test fuel pieces that comprise the test fuel load, as applicable

### Sample calculation

#### Data

$M_{FLnwb}$	13,50 lbs
$MC_{FLn}$	20,77 %
n	
$M_{FLdb}$	11,18 lbs

Equation 9,2 (2)

$$M_{SUDb} = \sum (M_{SUnwb}) (100) / (100 + MC_{SUn})$$

### Nomenclature

$M_{SUDb}$	Weight of startup fuel, dry basis, lb (Kg)
$M_{SUnwb}$	Weight of each start-up fuel pieces, n, per 8,5,7, wet basis, lb (Kg)
$MC_{SUn}$	Average fuel moisture of start-up fuel piece, n % bry basis
n	individual startup fuel pieces, as applicable

### Sample calculation

#### Data

$M_{SUnwb}$	3,85 lbs
$MC_{SUn}$	19 %
n	
$M_{SUDb}$	3,24 lbs

Equation 9,2 (3) 
$$M_{kdb} = (M_{kwb})(100)/(100 + MC_k)$$

### Nomenclature

- $M_{kdb}$  Weight of kindling, dry basis lb (kg)
- $M_{kwb}$  Weight of kindling per 8,5,6, wet basis, lb (kg)
- $MC_k$  Average moisture of kindling % dry basis

### Sample calculation

#### Data

- $M_{kwb}$  2,23 lbs
- $MC_k$  10,00 %
- $M_{kdb}$  2,03 lbs

Equation 9,2 (4) 
$$M_{FREHdb} = M_{RSUBdb} + M_{FLEHdb}$$

### Nomenclature

- $M_{FREHdb}$  Total weight of all remaining fuel at end of high fire test run, lb (kg)
- $M_{RSUBdb}$  Weight of residual start-up fuel bed when high fire test load added, lb(kg)
- $M_{FLEHdb}$  Weight of unburned portion of test fuel load at the end of the high fire test run, lb (kg)

### Sample calculation

#### Data

- $M_{RSUBdb}$  1,70 lbs
- $M_{FLEHdb}$  1,30 lbs
- $M_{FREHdb}$  3,00 lbs



Equation 9,2 (5)

$$M_{TFBHdb} = M_{Kdb} + M_{SUdb} + M_{FLdb} - M_{FREHdb}$$

## Nomenclature

$M_{TFHdb}$	Total weight of all fuel burned during high fire test run lb (kg), dry basis
$M_{FREHdb}$	Total weight of all remaining fuel at end of high fire test run, lb (kg)
$M_{FLdb}$	Weight of test fuel load, dry basis lb (kg)
$M_{SUdb}$	Weight of startup fuel, dry basis, lb (Kg)
$M_{kdb}$	Weight of kindling, dry basis lb (kg)

## Sample calculation

### Data

$M_{FREHdb}$	3,00 lbs
$M_{FLdb}$	11,18 lbs
$M_{SUdb}$	3,24 lbs
$M_{kdb}$	2,03 lbs
$M_{TFHdb}$	13,44 lbs

Equation 9,2 (6)

$$BR_H = 60(M_{FLdb} - M_{FLEHdb})/\theta_{H1}$$

## Nomenclature

$BR_H$	Dry burn rate for high fire test run, from time when test fuel load added to end of test run
$\theta_{H1}$	Total duration of high fire test run, from time when test fuel load is added to end of test r
$M_{FLdb}$	Weight of test fuel load, dry basis lb (kg)
$M_{FLEHdb}$	Weight of unburned portion of test fuel load at the end of the high fire test run, lb (kg)

## Sample calculation

### Data

$\theta_{H1}$	75 min
$M_{FLdb}$	11,18 lbs
$M_{FLEHdb}$	1,30 lbs
$BR_H$	3,59 kg/hr

For low and medium burn fire test run

Equation 9,2 (7) 
$$M_{TFBdb} = M_{FLdb} - M_{FREdb}$$

### Nomenclature

$M_{TFBdb}$	Total weight of fuel burned during low or medium fire test run, lb (kg),dry basis
$M_{FREdb}$	Weight of remaining fuel at end of low or medium fire test run, lb (kg)
$M_{FLdb}$	Weight of test fuel load, dry basis lb (kg)

### Sample calculation

#### Data

$M_{FREdb}$	0,00 lbs
$M_{FLdb}$	13,62 lbs
$M_{TFBdb}$	13,62 lbs

Equation 9,2 (8) 
$$BR = 60(M_{TFBdb}) / \theta$$

### Nomenclature

BR	Dry burn rate for low and medium fire test run. lb/hr (kg/hr)
$\theta$	Total duration of low or medium fire test run, min.
$M_{TFBdb}$	Total weight of fuel burned during low or medium fire test run, lb (kg),dry basis

### Sample calculation

#### Data

$\theta$	342 min
$M_{TFBdb}$	13,62 lbs
BR <sub>H</sub>	1,08 kg/hr

For high test run  
Equation 9,2 (9)

$$PM_{RH} = 60(E_{TH}/\theta_{H2})$$

### Nomenclature

$PM_{RH}$  Particulate emission rate for high fire test run, gr/hr  
 $E_{TH}$  Total particulate emissions for high fire test run including kindling and start-up  
 $\theta_{H2}$  Total test duration of high fire test run, from ignition of kindling to end of test run

### Sample calculation

#### Data

$E_{TH}$  7 gr  
 $\theta_{H2}$  106,00 min  
 $PM_{RH}$  3,84 kg/hr

Equation 9,2 (10)

$$PM_{FH} = E_{TH}/M_{TFBHdb}$$

### Nomenclature

$PM_{FH}$  Particulate emission rate for high fire test run, gr/hr

### Sample calculation

#### Data

$E_{TH}$  7 gr  
 $M_{TFBHdb}$  13,44 dry lb  
 $PM_{RH}$  1,11 gr/dry kg

for high fire test run

Equation 9,2 (11)

$$PM_{btuH} = E_{TH} / (M_{TFBHdb} * (HHV) \left( \frac{n_r}{100} \right)) * (10^6)$$

### Nomenclature

$PM_{btuH}$  Particulate per heat output unit for high fire test run, lb/ MMbtu

HHV Higher heating value of test fuel, dry basis, btu/lb

$n_r$  CSA B415,1 overall Efficiency, HHV (hot to hot)

### Sample calculation

#### Data

$E_{TH}$  6,8 gr

$M_{TFBHdb}$  13,44 dry lb

HHV 8690 btu/lb

$n_r$  64,02%

$PM_{btuH}$  0,2002 lb/Mmbtu

Equation 9,2 (12)

$$PM_R = 60(E_T/\theta)$$

### Nomenclature

$PM_R$  Particulate emission rate for low or medium fire test run, gr/hr

$E_T$  Total particulate emission for low or medium fire test run, from ASTM E 2515 (g)

$\theta$  Total duration of low or medium fire test run, min.

### Sample calculation

#### Data

$E_T$  15 gr

$\theta$  342 min

$PM_{RH}$  2,62 gr/hr



Equation 9,2 (13) 
$$PM_F = E_T / M_{TFBdb}$$

## Nomenclature

$PM_F$  Particulate emission factor rate for low or medium fire test run, gr/dry kg

## Sample calculation

### Data

$E_T$	14,9 gr
$M_{TFBdb}$	13,62 dry lb
$PM_F$	2,42 gr/dry kg

for high fire test run

Equation 9,2 (14) 
$$PM_{btu} = E_T / (M_{TFBdb} (HHV) (\frac{n_r}{100})) * (10^6)$$

## Nomenclature

$Pmbtu$  Particulate per heat output unit for low and medium test run, lb/ MMbtu  
 $HHV$  Higher heating value of test fuel, dry basis, btu/lb  
 $n_r$  CSA B415,1 overall Efficiency, HHV (hot to hot)

## Sample calculation

### Data

$E_{TH}$	14,9 gr
$M_{TFBHdb}$	13,62 dry lb
$HHV$	8690 btu/lb
$n_r$	67,30%
$PM_{btuH}$	0,4138 lb/Mmbtu

## Volume of gas sample corrected to dry standard conditions ( $V_{m(std)}$ )

### Equation used

ASTM 2515, equation 6

$$V_{m(std)} = K_1 V_m Y \left[ \frac{P_{bar} + \left( \frac{\Delta H}{13.6} \right)}{T_m} \right]$$

### Nomenclature

$V_{m(std)}$	Volume of gas sample , corrected to standard conditions, dscm <sup>3</sup> (dscf)
$K_1$	17.64 R/in Hg
$V_m$	Volume of gas sample
$Y$	DGM calibration factor
$P_{bar}$	Barometric pressure mmHg (in Hg)
$\Delta H$	Average pressure at the outlet of the dry gas meter mm water (in. Water)
$T_m$	Absolute average dry gas meter temperature K (R)

### Sample calculation

#### Data

$V_m$	66,81 dcf
$Y$	1,00605
$P_{bar}$	29,91 in Hg
$\Delta H$	-0,9513 in Hg
$T_m$	537,9 R

#### Calculation

$V_{m(std)}$	63,83 dscf
Calculation based of train 2 data Low fire	

## Total amount of particulate matter collected ( $m_n$ )

### Equation used

ASTM 2515, equation 12

$$m_n = F_1 + F_2 + \Delta PF$$

### Nomenclature

$m_n$	Total amount of particulate matter collected, mg
$F_1$	Particulate matter collected on front filter, mg
$F_2$	Particulate matter collected on second filter, mg
$\Delta PF$	Post-test weight gain of probe and filter holder assembly, mg

### Sample calculation

#### Data

$F_1$	0,0038 g
$F_2$	0,000 g
$\Delta PF$	0,000 g

#### Calculation

$m_n$	3,800 mg
-------	----------

Calculation based of train 2 data Low fire

## Particulate concentration ( $C_s$ )

### Equation used

ASTM 2515, equation 13

$$C_s = (0,001 \text{ g/mg}) \times \left( \frac{m_n}{V_{m(\text{std})}} \right)$$

### Nomenclature

$C_s$	Concentration of particulate matter in stack gas or dilution tunnel, dry basis, corrected to standard conditions, $\text{g/dsm}^3$ (g/dscf)
$m_n$	Total amount of particulate matter collected in the sampling train, mg
$V_{m(\text{std})}$	Volume of gas sample measured corrected to dry standard conditions, $\text{dsm}^3$ (dscf)

### Sample calculation

#### Data

$m_n$	3,800 mg
$V_{m(\text{std})}$	63,83 dscf

#### Calculation

$C_s$	0,000060 g/dscf
-------	-----------------

Calculation based of train 2 data Low fire



## Particulate concentration for room air ( $C_r$ )

### Equation used

ASTM 2515, equation 14

$$C_r = (0,001 \text{ g/mg}) \times \left( \frac{m_r}{V_{mr(std)}} \right)$$

### Nomenclature

$C_r$	Concentration of particulate matter in room air, dry basis, corrected to standard conditions, g/dsm <sup>3</sup> (g/dscf)
$m_r$	Total amount of particulate matter collected in the sampling train, mg
$V_{mr(std)}$	Volume of room air sample measured corrected to dry standard conditions, dsm <sup>3</sup> (dscf)

### Sample calculation

#### Data

$m_r$	0,100 mg
$V_{mr(std)}$	55,93 dscf

#### Calculation

$C_r$	0,000002 g/dscf
-------	-----------------

Calculation based of train 2 data low

# Adjustment factor for alternative pitot tube placement (FP)

## Equation used

ASTM 2515, equation 1

$$F_P = \frac{V_{strav}}{V_{scent}}$$

## Nomenclature

$V_{strav}$	Average gas velocity cacluated after the Pitot tube traverse
$V_{scent}$	Average gas velocity at the center of the dilution tunnel cacluated after the multi-point Pitot traverse
$F_P$	Adjustment factor for center of tunnel pitot tube placement

## Sample calculation

### Data

$V_{strav}$	0,246405348
$V_{scent}$	0,246405348

### Calculation

$F_P$	1,000000
-------	----------

## Average dilution tunnel gas velocity ( $V_S$ )

### Equation used

ASTM 2515, equation 9

$$V_S = F_p K_p C_p (\sqrt{\Delta P})_{avg} \sqrt{\frac{T_S}{P_S M_S}}$$

### Nomenclature

$V_S$	Average dilution tunnel gas velocity, m/s (ft/s)
$K_p$	Pitot tube constant For the metric units: $34.97 \text{ m/sec} \left[ \frac{(\frac{g}{g\text{-mole}})(\text{mm Hg})}{(^{\circ}K)(\text{mm H}_2\text{O})} \right]^{1/2}$ For English units: $85.49 \text{ ft/sec} \left[ \frac{(\frac{\text{lb}}{\text{lb-mole}})(\text{in Hg})}{(^{\circ}R)(\text{in H}_2\text{O})} \right]^{1/2}$
$C_p$	Pitot tube coefficient (use 0.99 for standard pitot tube, 0.84 may be used for S-type tubes constructed according to Method 2 specifications)
$F_p$	Pitot tube correction factor
$(\sqrt{\Delta P})_{avg}$	Average square root of each individual velocity head ( $\Delta P$ )
$P_{bar}$	Barometric pressure at measurement site, mm H <sub>2</sub> O (in. H <sub>2</sub> O)
$P_g$	Stack static pressure, mm Hg (in. Hg)
$P_S$	Absolute dilution tunnel static gas pressure, mm Hg (in. Hg), or $P_{bar} + P_g$
$M_S$	Molecular weight of dilution tunnel gas, wet basis, g/g-mole (lb/lb-mol) may be assumed to be 28.78 or 29 for CSA B415
$t_s$	Dilution tunnel temperature, °C (°F)
$T_S$	Absolute dilution tunnel temperature, °K (°R), or $273 + t_s$ for metric units, $460 + t_s$ for English units

### Sample calculation

#### Data

$K_p$	85,49
$C_p$	0,99
$F_p$	1,000
$(\sqrt{\Delta P})_{avg}$	0,2643 in H <sub>2</sub> O <sup>1/2</sup>
$P_{bar}$	29,91 in Hg
$P_g$	0,26 in H <sub>2</sub> O
$P_S$	29,93 in Hg
$M_S$	29 lb/lb-mol
$t_s$	80,86 F
$T_S$	540,86 R

#### Calculation

$V_S$	17,6556 ft/s
Calculation based of data low	

## Average dilution tunnel gas flow rate (Qstd)

### Equation used

ASTM 2515, equation 3

$$Q_{std} = 60(1 - B_{WS})V_S A \left( \frac{T_{std}}{T_S} \right) \left( \frac{P_S}{P_{std}} \right)$$

### Nomenclature

$Q_{std}$	Total gas flow rate corrected to dry standard conditions, $\text{dsm}^3/\text{min}$ (dscf/min)
60	Conversion factor minutes per hour
$B_{WS}$	Water vapour in the dilution tunnel stream, proportion by volume (may be assumed to be 2%)
$V_S$	Average dilution tunnel gas velocity, m/s (ft/s)
A	Cross-sectional area of dilution tunnel, $\text{m}^2$ ( $\text{ft}^2$ )
$T_{std}$	Standard absolute temperature, 293 °K (528°R)
$T_S$	Absolute average dilution tunnel temperature, $\text{K}$ ( $^{\circ}\text{K}$ ), or $273 + t_s$ for metric units, $460 + t$ for English units
$t_s$	Dilution tunnel temperature, °C (°F)
$P_S$	Absolute dilution tunnel static gas pressure, mm Hg (in. Hg), or $P_{bar} + P_g$
$P_{bar}$	Barometric pressure at measurement site, mm Hg (in. Hg)
$P_g$	Dilution tunnel static pressure, mm Hg (in. Hg)
$P_{std}$	Standard absolute pressure, 760 mm Hg (29.92 in. Hg)

### Sample calculation

#### Data

$B_{WS}$	0,02
$V_S$	17,656
A	0,785 $\text{ft}^2$
$T_{std}$	528 R
$T_S$	540,86 R
$P_S$	29,933 in Hg
$P_{std}$	29,92 in Hg

#### Calculation

$Q_{std}$	796,32 dscf/min
Calculation based of data low	



## Particulate emission rate (E)

### Equation used

$$E = (C_S - C_r)Q_{std}$$

### Nomenclature

E	Particulate emission rate, g/hr
$C_S$	Concentration of particulate matter in stack gas or dilution tunnel gas, dry basis corrected to standard conditions, g/dscm <sup>3</sup> (g/dscf)
$C_r$	Concentration of particulate matter in room air, g/dscm <sup>3</sup> (g/dscf)
$Q_{std}$	Total gas flow rate, dry basis corrected to standard conditions, dsm <sup>3</sup> /min (dscf/min)

### Sample calculation

#### Data

$C_S$	0,000060 g/dscf
$C_r$	0,000002 g/dscf
$Q_{std}$	796,32 dscf/min

#### Calculation

E	0,05 g/min
E	2,76 g/h

Calculation based on train 2 data low

## Total particulate emission rate ( $E_T$ )

### Equation used

ASTM 2515, equation 15

$$E_T = (C_S - C_r) Q_{std} \theta$$

### Nomenclature

$E_T$	Total particulate emission, g
$C_S$	Concentration of particulate matter in stack gas or dilution tunnel gas, dry basis corrected to standard conditions, g/dscm <sup>3</sup> (g/dscf)
$C_r$	Concentration of particulate matter in room air, g/dscm <sup>3</sup> (g/dscf)
$Q_{std}$	Total gas flow rate, dry basis corrected to standard conditions, dsm <sup>3</sup> /min (dscf/min)
$\theta$	Total sampling time, min

### Sample calculation

#### Data

$C_S$	0,000060 g/dscf
$C_r$	0,000002 g/dscf
$Q_{std}$	796,32 dscf/min
$\theta$	342 min

#### Calculation

E 15,73 g  
Calculation based on train 2 data Low

# Average gas velocity in dilution tunnel during each min interval, i, of the test run

## Equation used

ASTM 2515, equation 10

$$v_{si} = F_p K_p C_p \sqrt{\Delta p_i} \sqrt{\frac{T_{si}}{P_s M_s}}$$

## Nomenclature

	Average gas velocity in dilution tunnel during each min interval, i of the test run
$v_{si}$	m/sec (ft/sec)
$F_p$	Pitot tube correction factor
$K_p$	Pitot tube constant
	For the metric units: $34.97 \text{ m/sec} \left[ \frac{(\frac{g}{\text{mole}})(\text{mm Hg})}{(^{\circ}\text{K})(\text{mm H}_2\text{O})} \right]^{1/2}$
	For English units: $85.49 \text{ ft/sec} \left[ \frac{(\frac{\text{lb}}{\text{mole}})(\text{in Hg})}{(^{\circ}\text{R})(\text{in H}_2\text{O})} \right]^{1/2}$
$C_p$	Pitot tube coefficient (use 0.99 for standard pitot tube, 0.84 may be used for S-type tubes constructed according to Method 2 specifications)
$\Delta p_i$	interval, i, of the test run
$T_{si}$	Absolute average gas temperature in the dilution tunnel during the $i^{\text{th}}$ minutes
$P_s$	Absolute dilution tunnel static gas pressure, mm Hg (in. Hg), or $P_{\text{bar}} + P_g$
$M_s$	Molecular weight of dilution tunnel gas, wet basis, g/g-mole (lb/lb-mol) may be assumed to be 28.78

## Sample calculation

### Data

<b>i=1</b>		<b>i=2</b>	
$F_p$	1,000	$F_p$	1,000
$K_p$	85,49	$K_p$	85,49
$C_p$	0,99	$C_p$	0,99
$\Delta p_i$	0,071 in H <sub>2</sub> O	$\Delta p_i$	0,068 in H <sub>2</sub> O
$T_{si}$	552,2 R	$T_{si}$	548,3 R
$P_s$	29,93 in Hg	$P_s$	29,93 in Hg
$M_s$	29 lb/lb-mol	$M_s$	29 lb/lb-mol

### Calculation

<b>i=1</b>		<b>i=2</b>	
$v_{si}$	17,98 ft/sec	$v_{si}$	17,55 ft/sec

## Percent of proportional sampling rate (PR)

### Equation used

B415, equation 13.1

$$PR = \left( \frac{\theta V_{mi(std)} V_S T_m T_{Si}}{\theta_i V_m V_{Si} T_{mi} T_S} \right) \times 100$$

### Nomenclature

PR	Percent of proportional sampling rate (%)
$\theta$	Total sampling time, min
$\theta_i$	Time of interval, 1 min
$V_m$	Volume of gas sample measured by the DGM, dsm <sup>3</sup> (dscf)
$V_{mi(std)}$	Volume of gas sample measured by the digital mass flow controller during the i <sup>th</sup> 1 minutes interval, dsm <sup>3</sup> (dscf)
$V_S$	Average gas velocity in the dilution tunnel, ft/min
$V_{Si}$	Average gas velocity in the dilution tunnel during the i <sup>th</sup> 10 minutes interval, ft/min
$T_m$	Absolute average digital mass flow controller temperature, K (R)
$T_{mi}$	Absolute average digital mass flow controller temperature during the i <sup>th</sup> 1 minutes
$T_S$	Absolute average gas temperature in the dilution tunnel, K (R)
$T_{Si}$	Absolute average gas temperature in the dilution tunnel during the i <sup>th</sup> 1 minutes

### Sample calculation

#### Data

train =1			train =2		
$\theta$	342	min	$\theta$	342	min
$\theta_i$	1,00	min	$\theta_i$	1,00	min
$V_m$	64,17	dcf	$V_m$	64,10	dcf
$V_{mi(std)}$	0,185	cuft	$V_{mi(std)}$	0,185	cuft
$V_S$	16,88	ft/sec	$V_S$	16,88	ft/sec
$V_{Si}$	17,187	ft/sec	$V_{Si}$	17,187	ft/sec
$T_m$	533,3	R	$T_m$	537,9	R
$T_{mi}$	534,58	R	$T_{mi}$	537,37	R
$T_S$	540,86	R	$T_S$	540,86	R
$T_{Si}$	552,2	R	$T_{Si}$	552,2	R

#### Calculation

train=1		train=2	
PR	98,6 %	PR	98,9 %



## Filter face velocity check

### Equation used

$$FV_{max} = \frac{V_{mL}}{1} \times \frac{1}{F_A}$$

### Nomenclature

$FV_{max}$	Maximum filter face velocity during the test run, m/min (ft/min)
$V_{mL}$	Largest 1 minute interval metered gas volume value recorded during the test run, dm <sup>3</sup> (dcf)
$F_A$	Filter area exposed to gas sample during train operation, m <sup>2</sup> (ft <sup>2</sup> )

### Sample calculation

#### Data

$V_{mL}$	0,183 dcf
$F_A$	0,0116 ft <sup>2</sup>

#### Calculation

$FV_{max}$	15,80 ft/min
------------	--------------

## Dual train precision

### Equation used

$$\frac{\text{Train 1} - \text{average train 1 and train 2}}{\text{average train 1 and train 2}} \times 100 \leq 7.5\%$$

### Nomenclature

Dual train precision	Deviation between emission's train 1 and 2
Train 1	Total emission for train 1
Train 2	Total emission for train 2

### Sample calculation

#### Data

Train 1	14,93 g
Train 2	14,95 g

#### Calculation

Dual train precision	0,06 %
----------------------	--------

## Analyzer drift checks

### Equation used

$$Drift = \frac{\Delta R}{span} \times 100$$

### Nomenclature

Drift	The change in analyzer response to calibration gas over the duration of the test run
$\Delta R$	The difference between the analyzer response at the end of the test run and the
Span	The upper limit of the instrument range, ppmv or %

### Sample calculation

#### Data

$\Delta R$	0,015 %
Span	5 %

#### Calculation

Drift	0,30 %
-------	--------

Calculated with CO concentration values.

## APPENDIX 12: Volume calculations

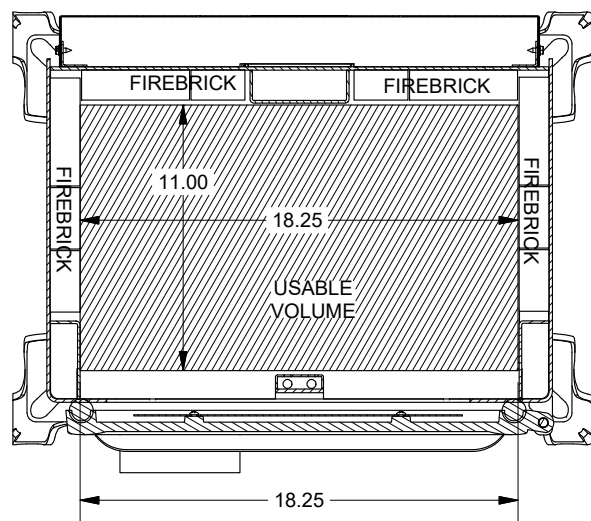


4

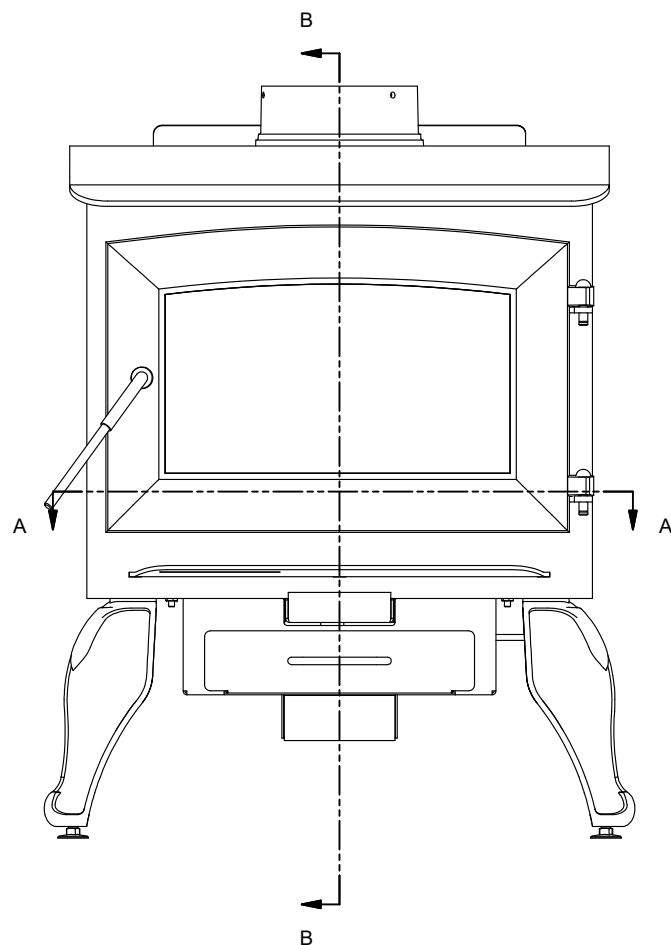
3

2

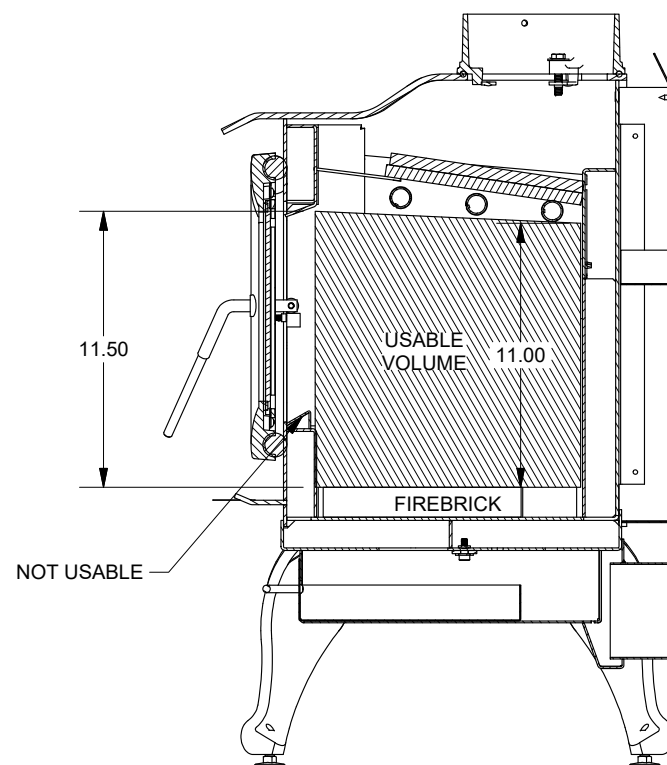
1



**SECTION A-A**  
SCALE 1:8



**SECTION B-B**  
SCALE 1:8



B

B

A

A

4

3

2

1

A

A

B

4

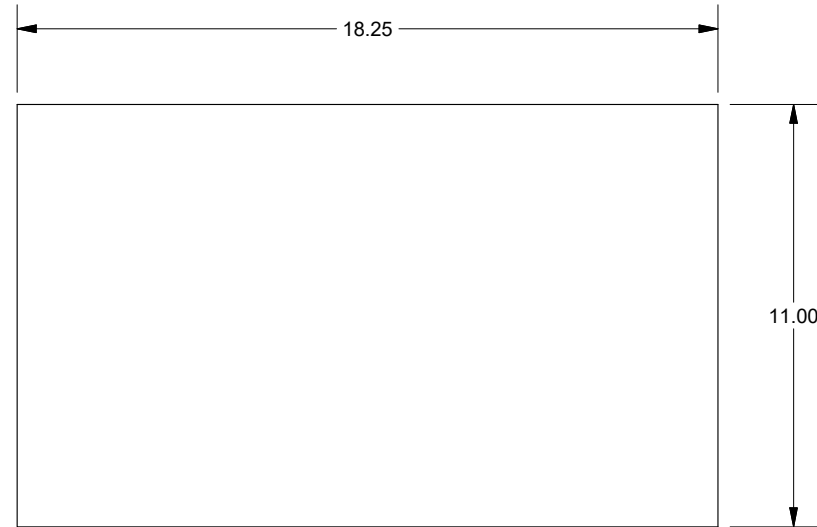
4

3

2

1

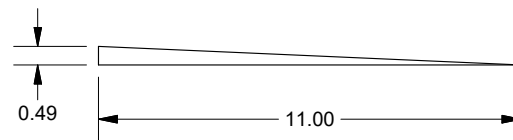
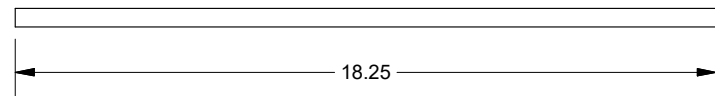
$$\frac{11.00 \times 18.25 \times 11.00}{1728} = 1.277$$



NOTE: As called out in the ATM issued for this testing, the overall firebox volume and the usable firebox volume for this appliance is the same.

$$\begin{array}{r} 1.277 \\ +.0284 \\ \hline 1.31 \text{ sqft} \end{array}$$

USABLE FIREBOX VOLUME



$$\frac{(11.00 \times .49 \times 18.25) / 2}{1728} = .0284$$

4

3

2

1

B

B

A

A

## APPENDIX 13: Operating instruction

**Operating instruction for High burn rate Cord wood method ATM, ASTM E3053**

- Start the fire with approximately 3.8 lbs. of startup fuel, 2.2 lbs. of kindling.
- Air control should be at the maximum opening (30mm pulled from minimum position)
- Ignite the fire using a propane torch with a top-down ignition.
- Close the door after 1 minute's ignition.
- When left approximately 1.7lbs. from the startup load, the high burn rate load can be inserted.
- The high burn rate load should be at least 13.3 lbs., open the door, load the stove with high burn load.
- Close the door immediately.
- Start the fan at high setting.

**Operating instruction for medium burn rate Cord wood method ATM, ASTM E3053**

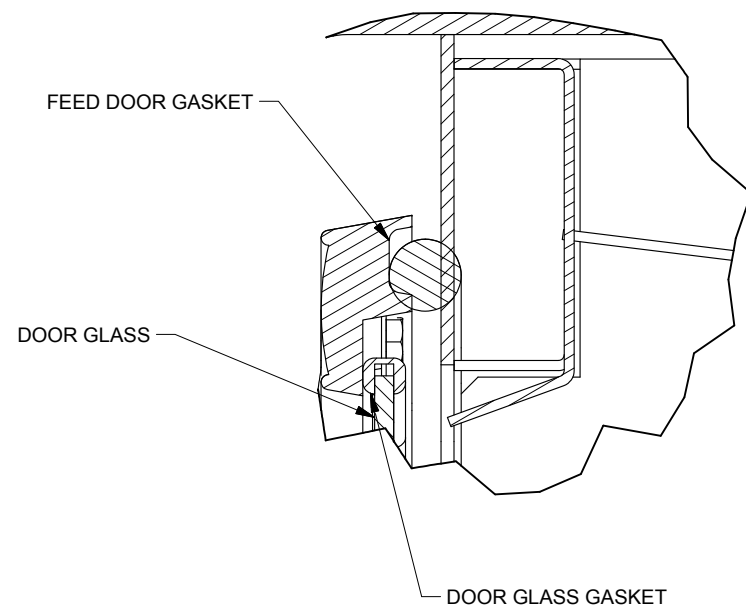
- From the high burn rate coal bed, when 2.5 lbs. left, the load can be inserted in the firebox.
- open the door
- rake and level the coal bed
- Insert the load in the firebox, medium burn load should be at least 16lbs
- Door can be close immediately.
- Keep the combustion air damper fully open for 9 minutes
- After the 9 minutes, set the air inlet at 50% by pulling the slide rod out to 50% to achieve medium setting
- Start the fan at high setting.

**Operating instruction for Low burn rate Cord wood method ATM, ASTM E3053**

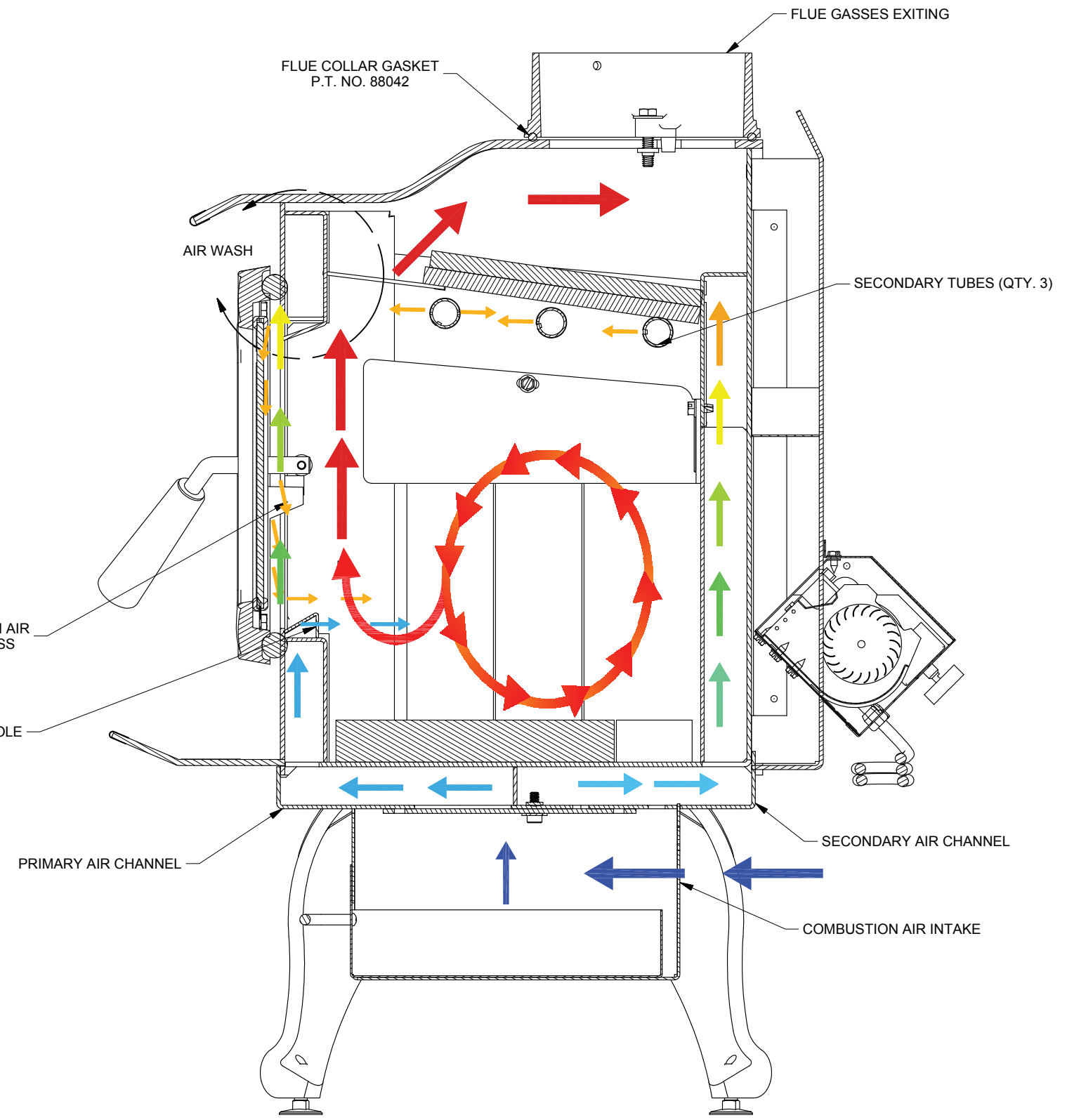
- From the high burn rate coal bed, when 1.7 lbs. left, the load can be inserted in the firebox.
- open the door
- rake and level the coal bed
- Insert the load in the firebox, the minimum burn load should be at least 16lbs
- Door can be close immediately.
- Keep the combustion air damper fully open for 5 minutes
- After the 5 minutes, slowly move the air slide to 50% closed to medium setting
- After 3-4 minutes, set the air inlet to minimum (lowest) setting
- Start the fan at high setting.



## APPENDIX 14: Drawing Air flow pattern

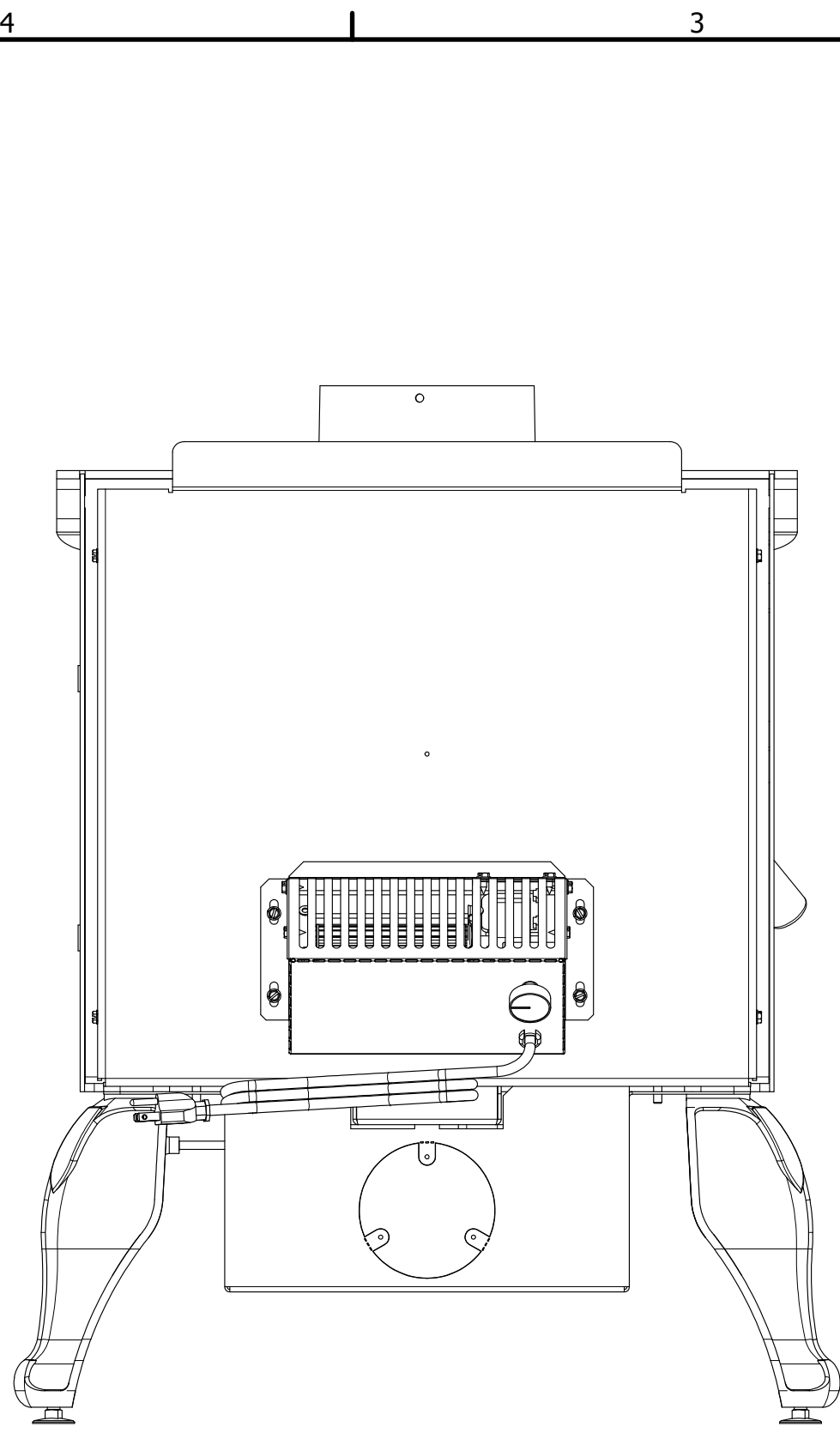


**DETAIL AIR WASH**  
SCALE 1/2

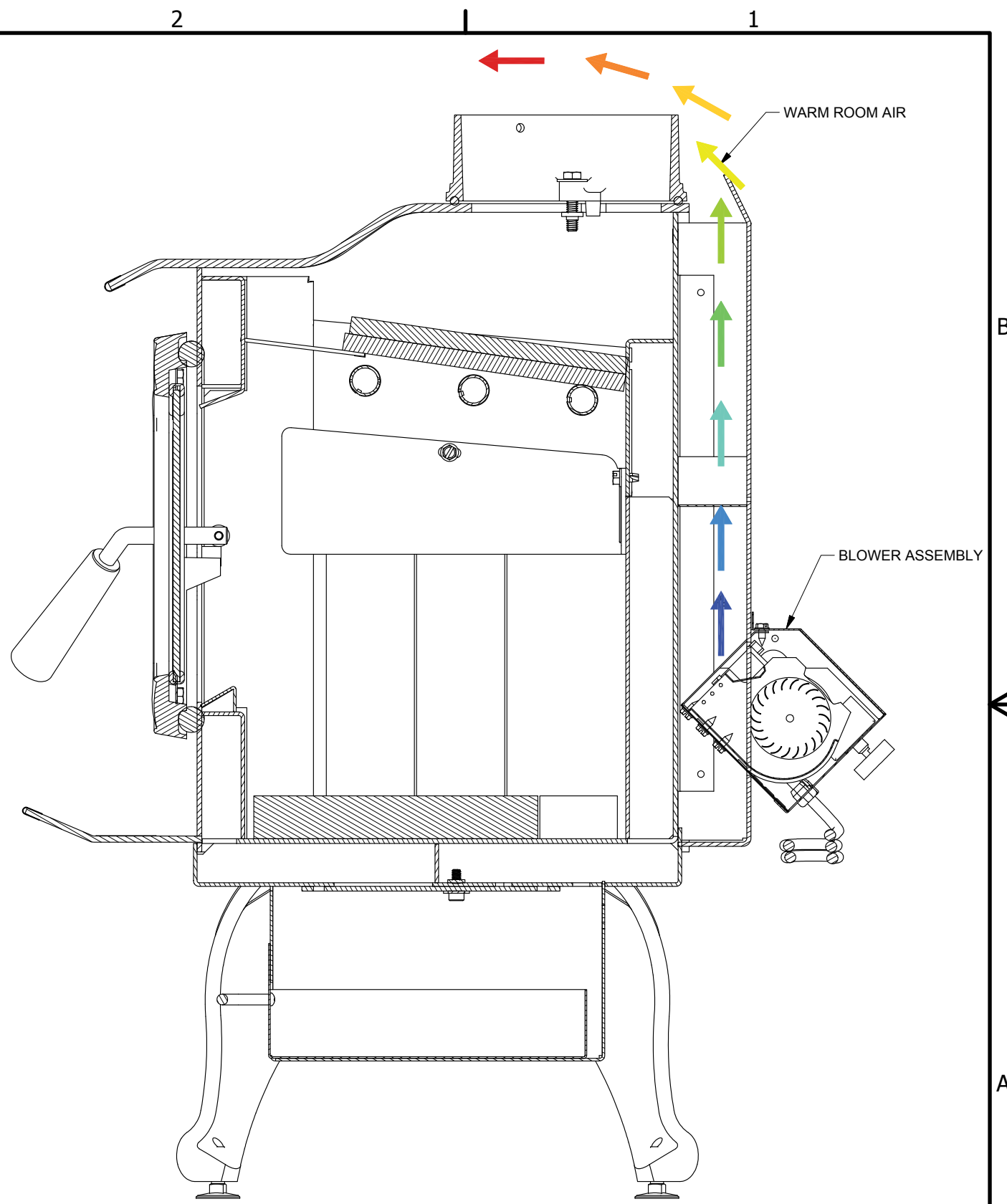


**SECTION COMBUSTION AIR DIAGRAM-COMBUSTION AIR DIAGRAM**  
SCALE 1:4

GENERAL NOTES: ALL FORMED DIMENSIONS ARE TO THE OUTSIDE OF THE PART, UNLESS SPECIFIED OTHERWISE.	© 2018 United States Stove Company ALL RIGHTS RESERVED THE DATA CONTAINED HEREIN IS PROPRIETARY TO U. S. STOVE COMPANY. THIS DATA SHALL NOT BE DUPLICATED, TRANSFERRED, MADE AVAILABLE, OR USED BY ANY THIRD PARTY FOR ANY PURPOSE EXCEPT WHEN SPECIFICALLY AUTHORIZED IN WRITING BY U. S. STOVE COMPANY.	TOLERANCES	HOLES ± .005"	DESCRIPTION	SCALE	SIZE	REV	UNITED STATES STOVE COMPANY ESTABLISHED 1869		
		EXCEPT	DECIMAL ± .XX = 0.03 XXX = 0.010	PLATE STOVE	scale	B	A			
		AS	ANGULAR ± 2°	METALIC BLACK	DWN BY	TITLE	US1100E-BLOWER W/ LEGS		NUMBER	SHEET
		NOTED		REFERENCE	DATE	US1100E		1/2/2019	US1100E-BL	2 OF 3



**REAR VIEW**  
SCALE 1:5



**SECTION SECTION AIR DISTRIBUTION DIAGRAM-SECTION AIR DISTRIBUTION DIAGRAM**  
SCALE 1:4

GENERAL NOTES: ALL FORMED DIMENSIONS ARE TO THE OUTSIDE OF THE PART, UNLESS SPECIFIED OTHERWISE.	© 2018 United States Stove Company ALL RIGHTS RESERVED THE DATA CONTAINED HEREIN IS PROPRIETARY TO U. S. STOVE COMPANY. THIS DATA SHALL NOT BE DUPLICATED, TRANSFERRED, MADE AVAILABLE, OR USED BY ANY THIRD PARTY FOR ANY PURPOSE EXCEPT WHEN SPECIFICALLY AUTHORIZED IN WRITING BY U. S. STOVE COMPANY.	TOLERANCES	HOLES ± .005"	DESCRIPTION	SCALE	SIZE	REV	UNITED STATES STOVE COMPANY ESTABLISHED 1869		
		EXCEPT	DECIMAL ± .XX = 0.03 XXX = 0.010	FINISH	scale	B	A			
		AS	ANGULAR ± 2°	REFERENCE	DWN BY	TITLE			NUMBER	SHEET
		NOTED		US1100E	DATE	US1100E-BLOWER W/ LEGS			US1100E-BL	3 OF 3

## APPENDIX 15: WHA, 30 Day notice, Coc, Others





UNITED STATES ENVIRONMENTAL PROTECTION AGENCY  
RESEARCH TRIANGLE PARK, NC 27711

Mr. John Voorhees  
Vice President of Compliance  
United States Stove Co.  
227 Industrial Park Road South  
Pittsburg, TN 37380

OFFICE OF  
AIR QUALITY PLANNING  
AND STANDARDS

09/19/2022

Dear Mr. Voorhees,

This letter is in response to your correspondence, which started August 9, 2022, went through several iterations, and resulted in a final letter dated September 2, 2022. In your letters, you request the use of alternative testing procedures to demonstrate compliance with 40 CFR part 60, Subpart AAA – Standards of Performance for New Residential Wood Heaters (Subpart AAA). The Office of Air Quality Planning and Standards, as the delegated authority, must make the determination on any major alternatives to test methods and procedures required under 40 CFR parts 59, 60, 61, 63, and 65. Your proposed alternative testing procedures and our approval decisions are discussed below.

According to the information provided, you seek an alternative test method and testing procedures for use when conducting testing on the United States Stove Co. US1100E Series. Currently, as required by section 60.534(a)(2) of Subpart AAA, a manufacturer, when using the 2020 cord wood alternative compliance option, must have their appliance tested by an EPA-approved test laboratory and the testing conducted with cord wood using an alternative cord wood test method approved by the EPA Administrator or his delegated authority to establish the certification test conditions and the particulate matter (PM) emission values.

Your request seeks to use the specified modifications, detailed below, coupled with ASTM E3053-18 *Standard Test Method for Determining Particulate Matter Emissions from Wood Heaters Using Cordwood Test Fuel* (ASTM E3053-18) as the alternative cord wood test method to certify the US1100E Series model line. In your request, you state that the US1100E Series is a room heater tuned to burn cord wood and you are seeking a cord wood alternative test method to use for compliance testing. You also state, in follow-up emails and the updated request letter, that your appliance has a usable firebox volume of 1.31 ft<sup>3</sup> and an overall firebox volume of 1.31 ft<sup>3</sup>. Because the longest length of your usable firebox is 18.25 inches, you state that you will use cord wood fuel 16 inches in length for testing which represents 88% of the usable firebox length. In your request, you state that you would like to use Beech or Red Oak cord wood for compliance testing. These two fuels are among the allowable fuel species specified in ASTM E3053-18 according to Figure 2 “Specific Gravity of Commercially Imported Species of Wood Based on Oven-Dry Weight and Oven-Dry Volume.”

We understand from your request, that you also seek use of a number of alternative testing procedures, detailed in the second list below, when conducting sampling as required by 40 CFR 60.534(c), which

requires that PM emission concentrations be measured using ASTM E2515-11 *Standard Test Method for Determination of Particulate Matter Emissions Collected by a Dilution Tunnel* (ASTM E2515-11). Additionally, you seek to use a separate sampling train for collecting the first hour of PM emissions, which is required by 40 CFR 60.534(d) which states that the “approved test laboratory must also measure the first hour of PM emissions for each test run using a separate filter in one of the two parallel trains.” In your request, you propose to use a third, identical and independent sampling train to sample concurrently for the first hour of the PM paired train compliance testing to independently measure the first hour of PM emissions for each test run, thus avoiding the need to change filters in one of the paired trains.

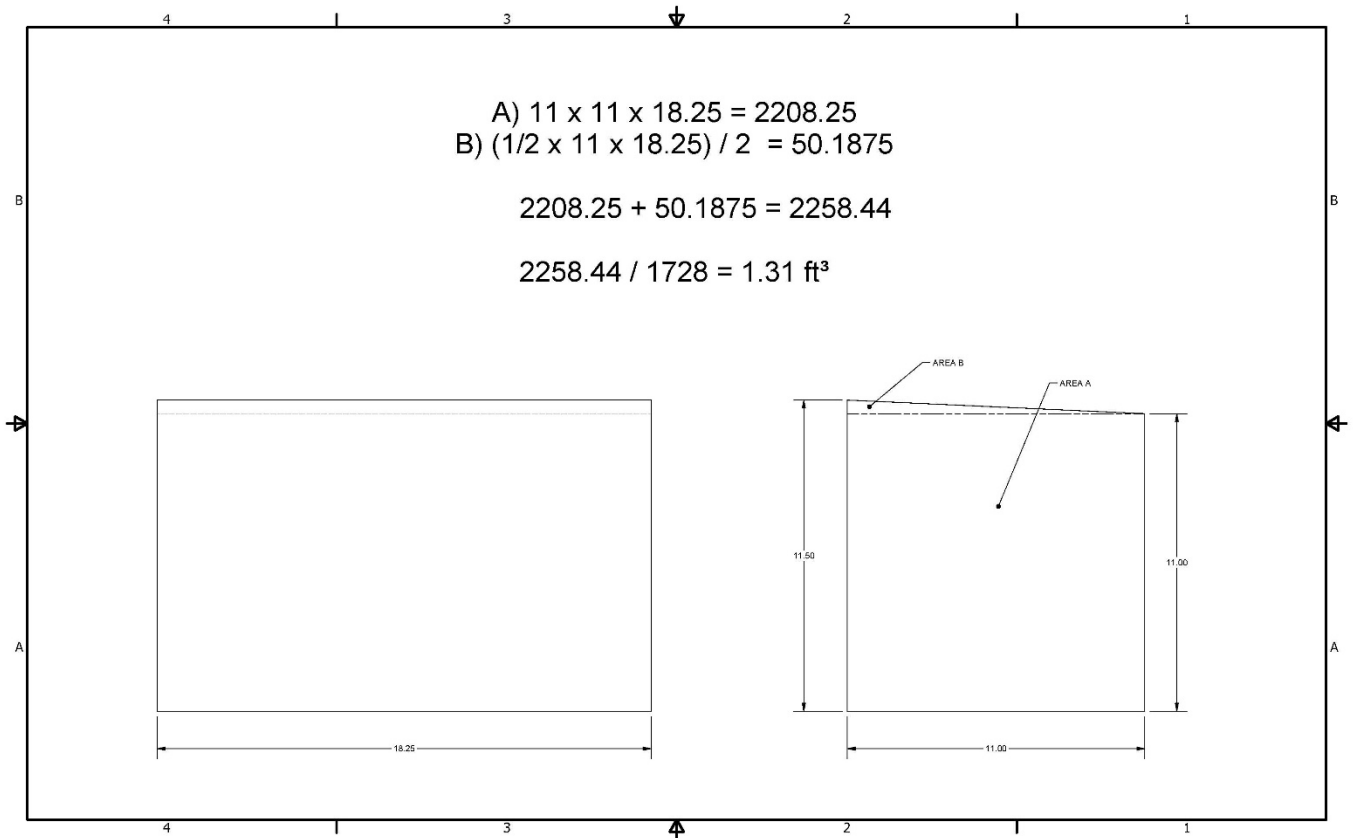
Based on the information provided and with the caveats set forth below, we are approving your request to use ASTM E3053-18 as the alternative cord wood test method when conducting certification testing as required by Subpart AAA, section 60.534(a)(2) on the US1100E Series room heater with the modifications detailed below.

When using ASTM E3053-18 as the alternative cord wood test method to certify the US1100E Series, these changes and modifications must be made:

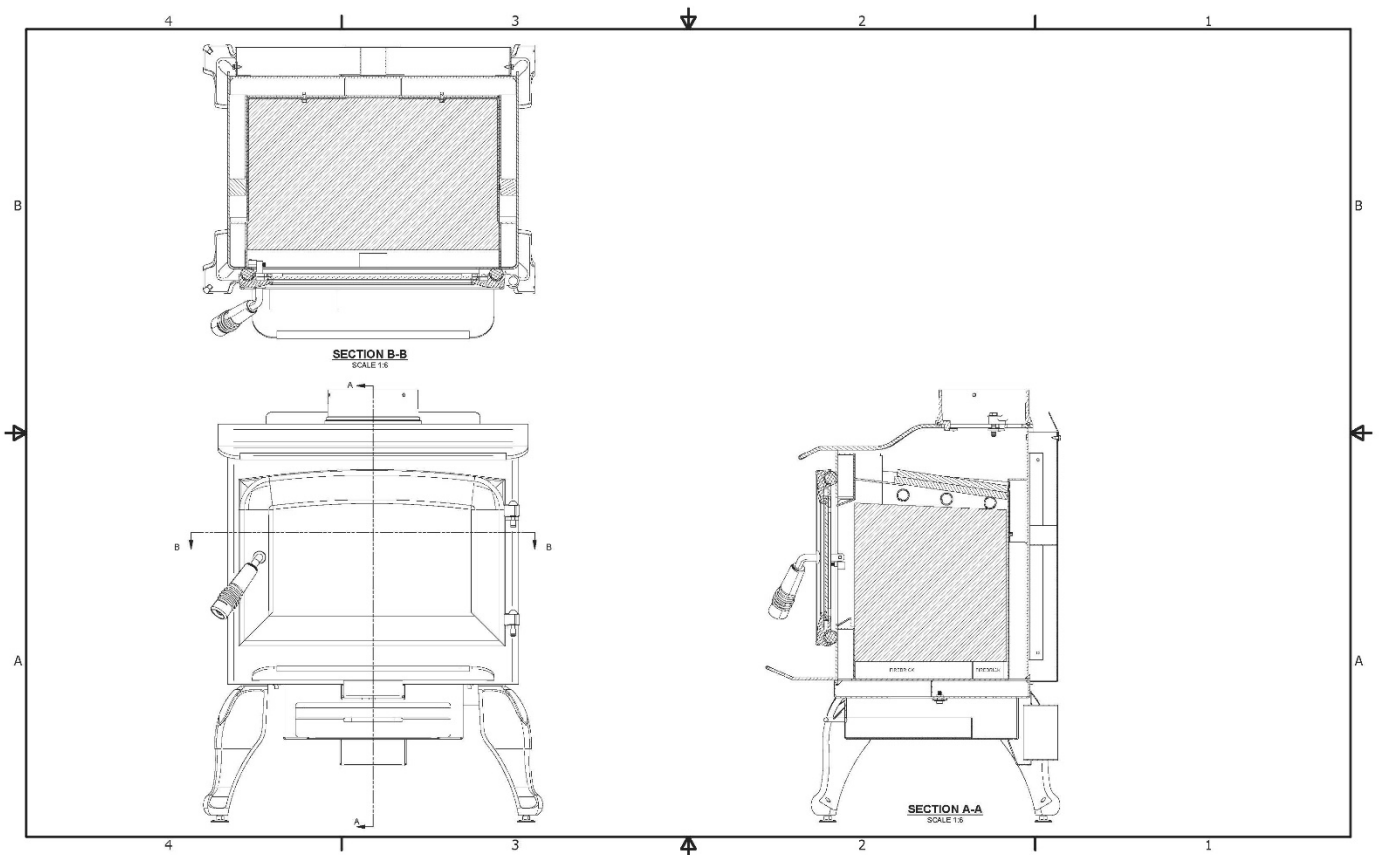
1. Section 3.2.3 - Additional requirements:
  - a. No square or near-square fuel pieces are allowed. A variety of test fuel piece shapes in each load is allowed.
  - b. The top of any trapezoidal shaped piece may not be greater in dimension than 70% of the base dimension of the trapezoid.
2. Sections 3.2.6 and 8.4.2.8 - Modification to the requirements:
  - a. Fuel length must represent 80% to 95% of the longest length of the usable firebox volume. This represents a range of 14.6 inches to 17.3 inches. Your request stated that you will use a fuel length of 16 inches, which represents 88% of the longest firebox dimension of 18.25 inches for all testing.
  - b. All test fuel used must be the same nominal length  $\pm 0.5$  inches.
  - c. **There will be no additional  $\pm 1$  inch allowance to the nominal length as stated in the ASTM method.**
3. Sections 8.1.4, 8.1.5, 8.1.6 and 8.1.7 - Additional requirements:
  - a. Conduct 50 hours of pre-conditioning at multiple burn rates (high, medium, and low).
  - b. Pre-conditioning data shall include all fuel parameters (species, moisture content, load weights, piece amounts, and length of fuel), air settings used, time spent in each air setting phase, and amount of fuel burned at each air setting.
  - c. Pre-conditioning fuel length can be different than the required testing fuel length. (e.g., 14 inches long is acceptable even if not in the 80% to 95% of longest firebox dimension range.
  - d. Photos must be provided in the test report of the air settings used for pre-conditioning of the appliance.
4. Section 8.3 - Additional requirements:
  - a. Overall firebox dimensions and usable firebox dimensions must have been provided to EPA prior to alternative method approval. In addition, the usable firebox dimensions must be illustrated in the owner’s manual with instructions to the end user for

appropriate fueling/loading.

- b. Overall firebox volume and usable firebox volume must also be reported in the test report and must agree with dimensions stated in this letter.
- c. Fuel load density must be based on the usable firebox dimensions listed below in this alternative test method approval.
  - i. In the US1100E Series, the Usable Firebox Volume (UFV) is the same size as the Overall Firebox Volume.
  - ii. US1100E model line overall and usable firebox volume schematic and volume calculation:



iii. US1100E Volume Visual



5. Section 8.4.2.1 - Additional requirements:
  - a. Beech or Red Oak must be used as the species for cord wood.
  - b. If the test fuel pieces have adhered bark, the bark must not be removed. Specifically, the bark side of the fuel species shall not be split off parallel to the bark when fuel weight adjustments are being made to achieve piece or load weight requirements.
6. Section 8.4.2.6 - Additional requirement:
  - a. The test fuel may not be thermally dried in order to achieve the target moisture range for the test fuel.
7. Section 8.5 - Additional requirements:
  - a. Emissions must be measured and reported from all start-up/high fire test runs.
  - b. First hour emissions must be included for every test run.
  - c. The trains must not be disassembled until after a post-test leak check is performed.
  - d. The manual blower of the US1100E Series is operated manually. **After the high fire test load has been loaded in the stove and the door has been closed as per instructions in ASTM E3053 Section 8.5.9.4, the manual blower must be immediately engaged on the highest setting.**
8. Sections 8.5.4 and 8.6.3 – Additional requirements:
  - a. Test fuel load density for the high fire test must not be less than 10.0 lb/ft<sup>3</sup> of the usable



firebox volume. For the low and medium fire test the test fuel load density must not be less than 12.0 lb/ft<sup>3</sup> of the usable firebox volume.

9. Sections 8.5.5, 8.5.6 and 8.5.7 - Additional requirements:
  - a. Manufacturer's instructions to the test lab must all be in writing and all these documents must be included in the test report.
  - b. Kindling and start-up instructions are limited to top-down start, or bottom-up start direction. There must be no discussion regarding fuel spacing and piece size in the instructions to the lab. However, general guidance on kindling and start-up fuel arrangement and amount can be supplied.
10. Section 8.5.9.3 and 8.6.9.1 and 8.6.9.2 - Additional requirements:
  - a. The fuel pieces must be loaded in an East-West orientation since this wood heater has an east/west fuel loading configuration. When test fuel is loaded no effort shall be made to stack fuel pieces either tightly or loosely with respect to one another.
11. Sections 8.5.9.5 (1), (2) and 8.6.8 (1), (2) - Additional requirements:
  - a. Documentation must be provided in the test report of all test fuel load adjustments made during testing.
  - b. Documentation must include photos of the fuel load before and after any test fuel load adjustment is made and the time that this occurred.
12. Sections 8.5.2 and 8.5.3 - Additional requirements:
  - a. The air control setting must be at the full open setting for the high fire test.
  - b. Photos must be taken of the air control set point for each test run and provided in the test report.
  - c. Follow Owner's Manual on how to properly operate the secondary air control. You stated that the secondaries on this appliance cannot be adjusted or operated independently by the homeowner. The secondaries are integral with the single air slide, and therefore not adjustable in the test lab.
13. Sections 8.6.7 through 8.7.1.2 - Additional requirements:
  - a. The low fire air control setting must be the lowest setting at which the user can operate the unit. The test report and the user manual must illustrate where the air inlet control is set to achieve the low fire condition.
  - b. Photos must be taken of the air control set point for each test run and provided in the test report.
  - c. Follow the Owner's Manual on how to properly operate the secondary air control. You stated that the secondaries on this appliance cannot be adjusted or operated independently by the homeowner. The secondaries are integral with the single air slide, and therefore not adjustable in the test lab.
  - d. The manual blower of the US1100E Series is operated manually. **The manual blower must be operated on its highest setting and engaged as soon as the combustion air control adjustment period has elapsed.**
14. Sections 8.6.7 through 8.8.1.3 - Additional requirements and modification of requirements:
  - a. The medium fire test combustion air control setting must be set halfway between the lowest and the highest primary air control settings as measured on the control actuator (lever, knob, slide etc.). Simulating how the homeowner would determine a medium

- setting on the control actuator (lever, knob, slide, etc.).
- b. Photos must be taken of the air control set point for each test run and provided in the test report.
  - c. Follow the Owner's Manual instructions on how to properly operate the secondary air control. You stated that the secondaries on this appliance cannot be adjusted or operated independently by the homeowner. The secondaries are integral with the single air slide, and therefore not adjustable in the test lab.
  - d. Due to the instructions provided above in 14(a), The provisions in ASTM E-3053 that would require retesting of the medium fire test category per section 8.8.1 do not apply.
  - e. The manual blower of the US1100E Series is operated manually. **The manual blower must be operated on its highest setting and engaged as soon as the combustion air control adjustment period has elapsed.**
15. Sections 3.2.10 through 3.2.11 - Additional requirements:
- a. The manufacturer is allowed to provide written instructions to the lab related to the kindling and start-up (top-down or bottom-up light off), the type of fuel they wish to use for the test, the air control settings for the medium burn, information related to usable firebox dimensions, position of the load door during kindling/startup, high, low and medium fire loading, appliance set-up, and appliance venting. Details on general appliance operation are allowed to be provided but are not allowed to override any specifications in this alternative method approval or other requirements found in ASTM E-3053, ASTM E-2515 or in 40 CFR 60, subpart AAA.
  - b. Certification testing procedures must be consistent with information contained in the Owner's Manual and the manufacturer's written instructions to the lab.
  - c. All fuel loading and door closing procedures as instructed to the test lab must be included in the operating manual.
16. Sections 8.2.7 through 8.6.9.1 - Additional requirements:
- a. Clear and representative (close-up) photos must be in the report (no photos from across the room or signs that are illegible).
  - b. Take a close-up photo of the collective fuel load cross section and provide this photo in the test report.
  - c. Photo of the complete test installation including venting, front view of stove, rear view of stove and side view of stove.
  - d. Photo of the empty firebox.
  - e. Photo of kindling and start-up before it is placed in the firebox.
  - f. Photo of kindling and start-up fuel in firebox before ignition.
  - g. Photo of residual start-up fuel bed before and after raking.
  - h. Photo of test fuel load before and after it is placed in firebox.
  - i. Photo of residual fuel bed before and after raking (after high fire test).
  - j. If there are fuel adjustments, provide a description and a before and after photo.
  - k. Photos must be taken of the air control set point for each test run and provided in the test report.
17. Rounding convention - Additional requirements:
- a. Follow Technical Information Document 024 - Memo on Rounding and Significant

Figures for rounding conventions: <https://www.epa.gov/emc/technical-information-document-024-memo-rounding-and-significant-figures>

18. Coal bed conditions – Modification of requirement:

- a. Coal bed conditions prior to loading test fuel. The coal bed shall be a level plane without valleys or ridges for all test runs in the high, low, and medium burn rate categories.

Additionally, based on the information provided, and with the modifications listed below and the caveats set forth at the end, we are approving your request to use a modified version of ASTM E2515-11 when conducting PM emission sampling as required by 40 CFR 60.534(c) including an alternative sampling procedure when conducting first hour PM emission sampling as required by 40 CFR 60.534(d).

When using ASTM E2515-11 to conduct PM sampling as required by 60.534(c), the following changes and modifications must be made:

1. Section 9.2.2 - Modification of requirement:

- a. Tunnel flow rate must be sufficient to maintain tunnel temperature below 125 °F (maximum) and 104 °F on a 10-minute rolling average, excluding periods when the appliance door is open. Two exceedances are allowed of the 10-minute rolling average points in each test run. The tunnel relative humidity must be below 90% humidity at 80°F (ASTM E2515-11 minimum filter temperature as required in this alternative test method) based on 1-minute data excluding periods when the appliance door is open.
  - i. Optionally, real-time tunnel dewpoint temperature measurements recorded at a minimum rate of one reading per minute can be made to override the maximum tunnel temperature requirement (125°F maximum and 104°F on a 10-minute rolling average). One-minute dewpoint temperature measurements in the dilution tunnel must be below the one-minute ASTM E2515-11 filter temperature measurement. If there is an exceedance of the tunnel dewpoint temperature above the ASTM E2515-11 filter temperature, then the test run is invalid and must be repeated.
  - ii. As an alternative to 1.a.i, the tunnel relative humidity may be measured using a psychrometer to measure the wet bulb temperature in the dilution tunnel. These measurements must be taken and recorded, at a minimum of every 2 minutes. ASTM E0377-15 Standard Test Method for Measuring Humidity with a Psychrometer (the Measurement of Wet- and Dry- Bulb Temperatures) may be followed for these purposes.
- b. With respect to the last sentence in ASTM E2515-11 section 9.2.2, you are excluded from the following requirement: “The maximum tunnel flow rate shall not exceed five times the minimum flow rate determined as shown in 9.2.4.”

2. Sections 9.8.1, 10.2.1 and 11.7 - Additional requirements:

- a. **The filter temperature must be maintained between 80 and 90 °F during testing.**
- b. Filters must be weighed in pairs to reduce weighing error propagation; see ASTM E2515-11, section 10.2.1 Analytical Procedure. The gravimetric analysis must be done

- with each pair of filters, pre and post testing.
- c. Sample filters must be Pall TX-40 or equivalent Teflon-coated glass fiber, and of 47 mm, 90 mm, 100 mm, or 110 mm in diameter.
  - d. Only one point per sampling train is allowed outside the  $\pm 10$  percent proportionality range per test run.
  - e. **Non-desiccated post-test filter weights must be taken within an hour after the post-test leak check. These initial weights must be included in the test report.**
  - f. Oven drying desiccation, at any temperature, is not allowed.
  - g. Dual train comparison (precision) must be calculated in terms of percent difference between the two sample trains and in terms of calculated emissions difference on a g/kg basis. These values must both be clearly reported for each test run.
  - h. Negative filter weights must be discussed in the test report. Where negative mass (i.e., filter material left on O-rings and gaskets) is subtracted from the overall PM mass, the resultant PM mass must be reported with the mass subtracted and with the mass not subtracted for comparison purposes.
3. Sections 9.5.2 through 11.4.2 - Additional requirement:
    - a. Ambient background sampling and filter collection must be conducted per ASTM E2515-11, section 4.3 and all other method specific room air sampling requirements.
  4. Sections 9.6.4 through 9.6.5.1 - Additional requirement:
    - a. Particulate matter emission concentrations must be measured with ASTM E2515-11 with the following exceptions, eliminate section 9.6.5.1 of ASTM E2515-11 and perform the post-test leak checks as specified below:
      - i. Post-Test Leak Check: A leak check of each sampling train is mandatory at the conclusion of each sampling run before sample recovery. The leak check must be performed in accordance with the procedures of ASTM E2515-11, section 9.6.4.1, except that it must be conducted at a vacuum equal to or greater than the maximum value reached during the sampling run. If the leakage rate is found to be no greater than  $0.0003 \text{ m}^3/\text{min}$  (0.01 cfm) or 4% of the average sampling rate (whichever is less), the leak check results are acceptable. If a higher leakage rate is obtained, the sampling run is invalid.
    - b. Additionally, if a component change of either sampling train is needed during sampling, then perform the leak check specified below:
      - i. Leak Checks During Sample Run: If, during a sampling run, a component (e.g., filter assembly) change becomes necessary, a leak check must be conducted immediately before the change is made. Record the sample volume before and after the leak test. The sample volume collected during any leak checks must not be included in the total sample volume for the test run. The leak check must be done according to the procedure outlined in ASTM E2515-11, section 9.6.4.1, except that it must be done at a vacuum equal to or greater than the maximum value recorded up to that point in the sampling run. If the leakage rate is found to be no greater than  $0.0003 \text{ m}^3/\text{min}$  (0.01 cfm) or 4% of the average sampling rate (whichever is less), the leak check results are acceptable. If a higher leakage rate is obtained, the sampling run is invalid.



- c. NOTE: Immediately after component changes, leak checks are optional but highly recommended. If such leak checks are done, the post-test leak check procedure referenced above shall be used.

When using ASTM E2515-11 to conduct first hour PM sampling as required by 60.534(d), these changes and modifications must be made:


1. To determine the first hour PM emissions as required by 60.534(d), the manufacturer and approved test laboratory must measure the first hour of PM emissions for each test run by sampling with a third, identical and independent sampling train operated concurrently for the first hour of PM paired train compliance testing. The manufacturer and approved test laboratory must report the test results from this third train separately as the first hour emissions. Filters must be recovered and weighed as a paired set.

All other requirements of ASTM E3053-18 and ASTM E2515-11 must be followed during the testing, and all requirements of 40 CFR part 60, Subpart AAA must be satisfied and described in your test report. This approval is based on the understanding that the lowest heat output (Btu/hr) setting on the US1100E Series room heater available to the user will correspond to the lowest burn rate to be evaluated during certification testing and the test report will fully document that the certification testing was conducted as such. This is consistent with section 60.534(a)(1) of Subpart AAA, which states, "the burn rate for the low burn category must be no greater than the rate that an operator can achieve in home use and no greater than is advertised by the manufacturer or retailer."

A copy of this letter must be included in any certification test report where this alternative test method determination is utilized.

If you have additional questions regarding this approval, please contact Angelina Brashear of my staff at 919-541-4746 or [brashear.angelina@epa.gov](mailto:brashear.angelina@epa.gov).

Sincerely,

  
Steffan M. Johnson  
Group Leader  
Measurement Technology Group

cc: Angelina Brashear – EPA/OAQPS/AQAD  
Shannon Banner – EPA/OAQPS/SPPD  
James Hemby – EPA/OAQPS/AQAD  
Rafael Sanchez – EPA/OECA  
Bill Schrock - EPA/OAQPS/SPPD  
Robert Scinta – EPA/OECA  
Michael Toney – EPA/OAQPS/AQAD  
Mark Turner – EPA/OAQPS/SPPD  
Chet Wayland – EPA/OAQPS/AQAD



OMB Control No. 2060-0161  
Approval expires 03/31/2019

OMB Control No. 2060-0693  
Approval expires 03/31/2019

### 30-DAY NOTIFICATION

## 2015 CLEAN AIR ACT (CAA) STANDARDS OF PERFORMANCE FOR NEW RESIDENTIAL WOOD HEATERS, NEW RESIDENTIAL HYDRONIC HEATERS AND FORCED-AIR FURNACES 40 CFR PART 60 SUBPARTS AAA AND QQQQ

The public reporting and recordkeeping burden for this collection of information is estimated to average 2 hours per response. Send comments on the Agency's need for this information, the accuracy of the provided burden estimates, and any suggested methods for minimizing respondent burden, including through the use of automated collection techniques to the Director, Regulatory Support Division, U.S. Environmental Protection Agency (2822T), 1200 Pennsylvania Ave., NW, Washington, D.C. 20460. Include the OMB control number in any correspondence. Do not send the completed form to this address.

**Disclaimer:** The statutory provisions and the EPA regulations described in this document contain legally binding requirements. This document is not a substitute for those provisions or regulations, nor is it a regulation itself. In the event of a discrepancy, please refer to 40 CFR PART 60 Subparts AAA AND QQQQ, sections 60.537 and 60.5479. If you have additional questions, please contact Rafael Sanchez at 202-564-7028 or via email at [sanchez.rafael@epa.gov](mailto:sanchez.rafael@epa.gov).

**Instructions:** The manufacturer of an affected wood/pellet heater/central heater model line must notify the Administrator of the date that certification testing is scheduled to begin by email to [WoodHeaterReports@epa.gov](mailto:WoodHeaterReports@epa.gov). This notice must be received by the EPA at least 30 days before the start of testing.

GENERAL INFORMATION						
<b>Manufacturer's Name:</b> United States Stove Company						
<b>Heater Type (Circle One):</b>	<input checked="" type="checkbox"/> Adjustable Burn Rate Wood Heater	<input type="checkbox"/> Pellet Stove	<input type="checkbox"/> Single Burn Rate Heater	<input type="checkbox"/> Hydronic Heater	<input type="checkbox"/> Forced Air Furnace	<input type="checkbox"/> Other:
<b>Hydronic Heater Type (Check one):</b>	<input type="checkbox"/> Full Storage	<input type="checkbox"/> Partial Storage	<input type="checkbox"/> Indoor	<input type="checkbox"/> Outdoor	<input type="checkbox"/> Other:	
<b>Forced-Air Furnace Type (Check one):</b>	<input type="checkbox"/> Small (less than 65,000 BTU/hr heat output)		<input type="checkbox"/> Large (greater than 65,000 BTU/hr heat output)			
<b>Fuel Tested (Check one):</b>	<input type="checkbox"/> Crib	<input type="checkbox"/> Pellet	<input checked="" type="checkbox"/> Cordwood	<input type="checkbox"/> Wood Chips	<input type="checkbox"/> Other:	
<b>Model Name(s) (as will appear on test report):</b> US1100E						
<b>Model Number(s) (as will appear on test report):</b> US1100E						
<b>Equipped with a catalytic combustor?</b> <input type="checkbox"/> Yes <input checked="" type="checkbox"/> No						
<b>Mailing Address:</b> 227 Industrial Park Rd						
<b>Street Address:</b> 227 Industrial Park Rd						



OMB Control No. 2060-0161  
Approval expires 03/31/2019

OMB Control No. 2060-0693  
Approval expires 03/31/2019

### 30-DAY NOTIFICATION

## 2015 CLEAN AIR ACT (CAA) STANDARDS OF PERFORMANCE FOR NEW RESIDENTIAL WOOD HEATERS, NEW RESIDENTIAL HYDRONIC HEATERS AND FORCED-AIR FURNACES 40 CFR PART 60 SUBPARTS AAA AND QQQQ

The public reporting and recordkeeping burden for this collection of information is estimated to average 2 hours per response. Send comments on the Agency's need for this information, the accuracy of the provided burden estimates, and any suggested methods for minimizing respondent burden, including through the use of automated collection techniques to the Director, Regulatory Support Division, U.S. Environmental Protection Agency (2822T), 1200 Pennsylvania Ave., NW, Washington, D.C. 20460. Include the OMB control number in any correspondence. Do not send the completed form to this address.

**Disclaimer:** The statutory provisions and the EPA regulations described in this document contain legally binding requirements. This document is not a substitute for those provisions or regulations, nor is it a regulation itself. In the event of a discrepancy, please refer to 40 CFR PART 60 Subparts AAA AND QQQQ, sections 60.537 and 60.5479. If you have additional questions, please contact Rafael Sanchez at 202-564-7028 or via email at [sanchez.rafael@epa.gov](mailto:sanchez.rafael@epa.gov).

**Instructions:** The manufacturer of an affected wood/pellet heater/central heater model line must notify the Administrator of the date that certification testing is scheduled to begin by email to [WoodHeaterReports@epa.gov](mailto:WoodHeaterReports@epa.gov). This notice must be received by the EPA at least 30 days before the start of testing.

<b>City:</b> South Pittsburg	<b>State:</b> TN	<b>ZIP Code:</b> 37380
<b>Phone:</b> (423) 837-2100 ext 4513	<b>Fax:</b>	<b>Web Site:</b> www.usstove.com
<b>Address of Manufacturer:</b> 227 Industrial Park Rd		
<b>City:</b> South Pittsburg	<b>State:</b> TN	<b>ZIP Code:</b> 37380
<b>EPA APPROVED TEST LABORATORY</b>		
<b>Name and Title of Authorized Representative:</b> Danick Power v-p operation		
<b>Company:</b> Polytests Services Inc.		
<b>Phone:</b> (450) 741-3636	<b>E-mail:</b> dpower@polytests.com	<b>Fax:</b>
<b>City:</b> St-Jean-sur-Richelieu	<b>State:</b> Québec, Canada	<b>ZIP Code:</b> J3B 7S7
<b>EPA APPROVED THIRD-PARTY CERTIFIER</b>		
<b>Name and Title of Authorized Representative:</b> John Steinert General Manager		
<b>Company:</b> PFS-TECO		
<b>Phone:</b> 503-650-0088	<b>E-mail:</b> john.steinert@pfsteco.com	<b>Fax:</b>



OMB Control No. 2060-0161  
Approval expires 03/31/2019

OMB Control No. 2060-0693  
Approval expires 03/31/2019

### 30-DAY NOTIFICATION

## 2015 CLEAN AIR ACT (CAA) STANDARDS OF PERFORMANCE FOR NEW RESIDENTIAL WOOD HEATERS, NEW RESIDENTIAL HYDRONIC HEATERS AND FORCED-AIR FURNACES 40 CFR PART 60 SUBPARTS AAA AND QQQQ

The public reporting and recordkeeping burden for this collection of information is estimated to average 2 hours per response. Send comments on the Agency's need for this information, the accuracy of the provided burden estimates, and any suggested methods for minimizing respondent burden, including through the use of automated collection techniques to the Director, Regulatory Support Division, U.S. Environmental Protection Agency (2822T), 1200 Pennsylvania Ave., NW, Washington, D.C. 20460. Include the OMB control number in any correspondence. Do not send the completed form to this address.

**Disclaimer:** The statutory provisions and the EPA regulations described in this document contain legally binding requirements. This document is not a substitute for those provisions or regulations, nor is it a regulation itself. In the event of a discrepancy, please refer to 40 CFR PART 60 Subparts AAA AND QQQQ, sections 60.537 and 60.5479. If you have additional questions, please contact Rafael Sanchez at 202-564-7028 or via email at [sanchez.rafael@epa.gov](mailto:sanchez.rafael@epa.gov).

**Instructions:** The manufacturer of an affected wood/pellet heater/central heater model line must notify the Administrator of the date that certification testing is scheduled to begin by email to [WoodHeaterReports@epa.gov](mailto:WoodHeaterReports@epa.gov). This notice must be received by the EPA at least 30 days before the start of testing.

<b>City:</b> Clackamas	<b>State:</b> OR	<b>ZIP Code:</b> 97015
<b>COMPLIANCE TEST INFORMATION</b>		
<b>Test Method(s):</b> ASTM E3053 with ATM Dated 9-19-22		
<b>Date(s) of Proposed Test:</b> <del>January 23-27, 2023</del> February 13-16, 2023		
<b>Testing Location:</b> Polytests Services Inc., 695 B rue Gaudette, St-Jean-sur-Richelieu , Québec, Canada, J3B 7S7		





OMB Control No. 2060-0161  
Approval expires 03/31/2019

OMB Control No. 2060-0693  
Approval expires 03/31/2019

### 30-DAY NOTIFICATION

## 2015 CLEAN AIR ACT (CAA) STANDARDS OF PERFORMANCE FOR NEW RESIDENTIAL WOOD HEATERS, NEW RESIDENTIAL HYDRONIC HEATERS AND FORCED-AIR FURNACES 40 CFR PART 60 SUBPARTS AAA AND QQQQ

The public reporting and recordkeeping burden for this collection of information is estimated to average 2 hours per response. Send comments on the Agency's need for this information, the accuracy of the provided burden estimates, and any suggested methods for minimizing respondent burden, including through the use of automated collection techniques to the Director, Regulatory Support Division, U.S. Environmental Protection Agency (2822T), 1200 Pennsylvania Ave., NW, Washington, D.C. 20460. Include the OMB control number in any correspondence. Do not send the completed form to this address.

**Disclaimer:** The statutory provisions and the EPA regulations described in this document contain legally binding requirements. This document is not a substitute for those provisions or regulations, nor is it a regulation itself. In the event of a discrepancy, please refer to 40 CFR PART 60 Subparts AAA AND QQQQ, sections 60.537 and 60.5479. If you have additional questions, please contact Rafael Sanchez at 202-564-7028 or via email at [sanchez.rafael@epa.gov](mailto:sanchez.rafael@epa.gov).

**Instructions:** The manufacturer of an affected wood/pellet heater/central heater model line must notify the Administrator of the date that certification testing is scheduled to begin by email to [WoodHeaterReports@epa.gov](mailto:WoodHeaterReports@epa.gov). This notice must be received by the EPA at least 30 days before the start of testing.

John Voorhees VP of Compliance

\_\_\_\_\_  
**Print Name and Title of Authorized Official**

\_\_\_\_\_  
**Signature**

\_\_\_\_\_ December 1, 2022 \_\_\_\_\_

**Date**

**Telephone Number:** \_423 837-2100 Ext 4513 \_\_\_\_\_

**Email Address:** \_\_johnv@usstove.com \_\_\_\_\_

**Remarks:**

v1

227 Industrial Park Road South  
Pittsburg, Tennessee 37380 USA

usstove.com  
1 800 750 2723  
sales@usstove.com



February 9, 2024

Dr. Rafael Sanchez, Ph.D.  
U.S. Environmental Protection Agency  
Office of Compliance  
1200 Pennsylvania Ave. NW MS:2227A  
Room 7149-D  
Washington, DC 20460

RE: Model additions 172-19

Dear Dr. Sanchez,

This letter is to request model additions to our certificate 172-19. The addition is adding the following models to this certificate: King KW1100E-L, CH11-L, KW12, Comfort Glow CGW1500 and DuraHeat DHWS 1500

This letter further declares that these units are still being manufactured as tested and no changes have been made to these models which could affect combustion. There are no cosmetic changes other than branding to the requested additional models.


Enclosed you will find a copy of the Test reports, Certification Labels, Manuals and an updated CoC.

Further, I request that a waiver be granted for certification testing of these models since combustion of said models is that same as the base models.

Sincerely,

A handwritten signature in black ink, appearing to read "John D. Voorhees".

John D. Voorhees  
Vice President of Compliance

	<b>EPA Quality Assurance Checksheet</b>		
	Approved By: John Voorhees	Revision: 01	Page 1 of 1
	Initial Release Date: 01/17/2017	Revision: 02/09/2024	
Model:	US1100E (-P)(-L)(-BP)(-BL), US1100EC, VG1120, AW1120E, CH11, NM680, SW 1.2, AHWS1120, KW1100E-L, CGWS1500, DHWS1500, CH11-L, KW12		
Inspection Date:			
Serial:		<i>*Refer to N:\Engineering\Production Released Dwgs and Manuals for most up to date Print Revision Level</i>	
Inspector:			

**EPA Quality Assurance Check Sheet**

*Inspection frequency should be conducted at a rate of every 100 heaters produced*

**Dimensional Checks:**

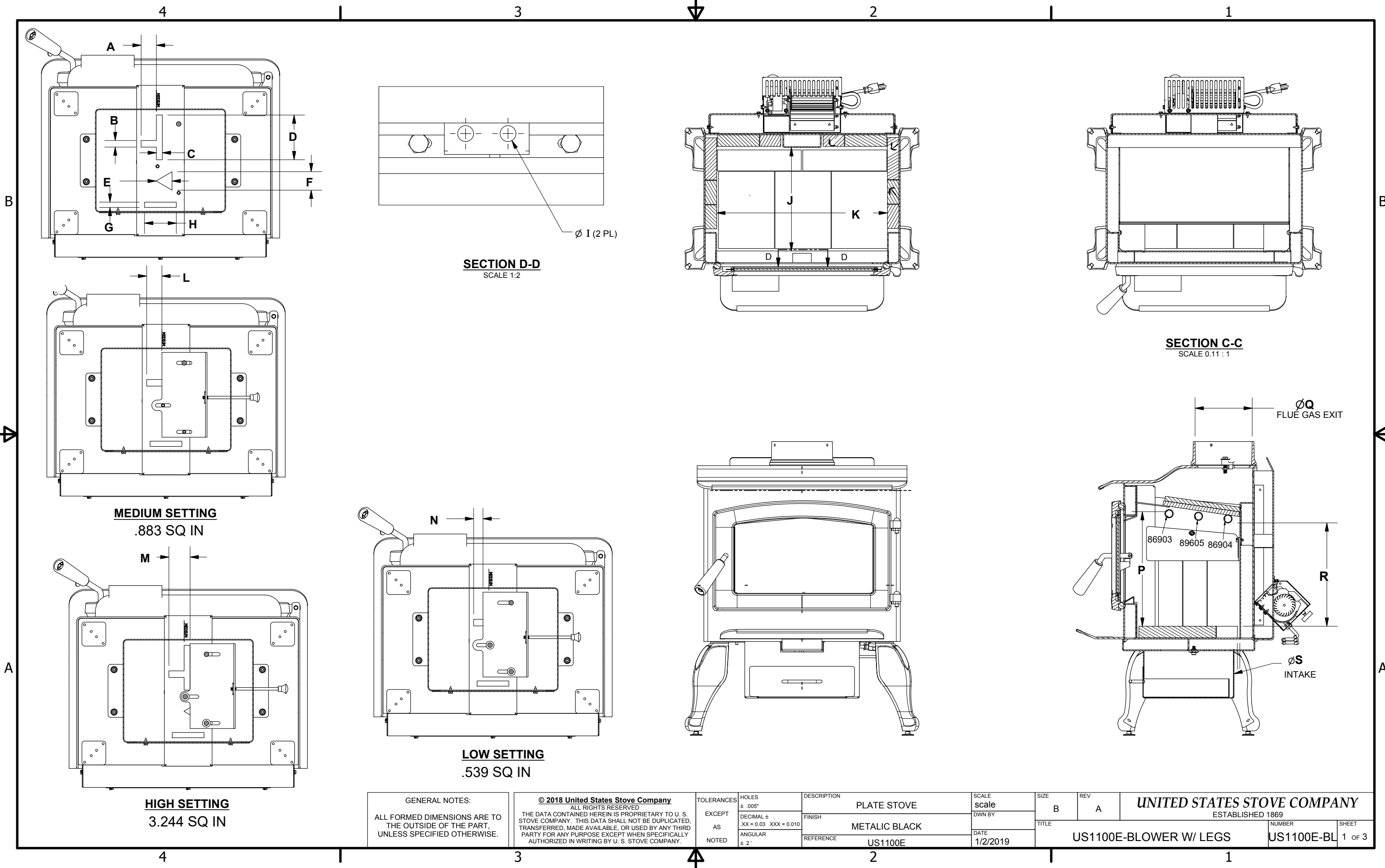
*All dimensions are in millimeters unless otherwise specified. Inspection tolerances are +/-6.4mm for any linear dimension and +/-5% for any cross sectional area relating to air induction systems*

	Nominal	Actual		Nominal	Actual
A	36.6		Q	156.7	
B	15.5		R	280.9	
C	14.2		S	101.6	
D	107.2		T	460.5	
E	38.1		U	12.7	
F	44.5		V	206.5	
G	12.7		W	209.6	
H	76.2		X	12.7	
I	9.5		Y	460.5	
J	281.4		Z	3.0	
K	464.6		AA	9.7	
L	36.6		BB	3.0	
M	50.8		CC	18.8	
N	22.4		DD	3.0	
O	69.1		EE	9.7	
P	325.1				

<b>Door Sealing:</b>	Pass	Fail	N/A
<i>Does the door (s) seal properly against the firebox? (Use appropriate gauge for testing)</i>	<input type="checkbox"/>	<input type="checkbox"/>	<input type="checkbox"/>
<b>Baffle:</b>			
<i>Is the location of the baffle correct?</i>	<input type="checkbox"/>	<input type="checkbox"/>	<input type="checkbox"/>
<i>Is there any damage to the baffle?</i>	<input type="checkbox"/>	<input type="checkbox"/>	<input type="checkbox"/>
<b>Fans:</b>			
<i>Do the fans match the specifications (speed/power/performance) on the K-list?</i>	<input type="checkbox"/>	<input type="checkbox"/>	<input type="checkbox"/>
<b>Motors:</b>			
<i>Do the motors match the specifications (speed/power/performance) on the K-list?</i>	<input type="checkbox"/>	<input type="checkbox"/>	<input type="checkbox"/>

**Non-Conformities for Corrective Action:**

*Document any non-conformities that require corrective action*



**SECTION D-D**  
SCALE 1:2

**SECTION C-C**  
SCALE 0.11 : 1

**MEDIUM SETTING**  
.883 SQ IN

**LOW SETTING**  
.539 SQ IN

**HIGH SETTING**  
3.244 SQ IN

<b>GENERAL NOTES:</b> ALL FORMED DIMENSIONS ARE TO THE OUTSIDE OF THE PART, UNLESS SPECIFIED OTHERWISE.	<b>© 2018 United States Stove Company</b> ALL RIGHTS RESERVED THE DATA CONTAINED HEREIN IS PROPRIETARY TO U. S. STOVE COMPANY. THIS DATA SHALL NOT BE DUPLICATED, TRANSFERRED, MADE AVAILABLE, OR USED BY ANY THIRD PARTY FOR ANY PURPOSE EXCEPT WHEN SPECIFICALLY AUTHORIZED IN WRITING BY U. S. STOVE COMPANY.	<b>TOLERANCES</b> HOLES ± .005" DECIMAL ± .XX = 0.03 XXX = 0.010 ANGULAR ± 2°	<b>DESCRIPTION</b> PLATE STOVE	<b>SCALE</b> scale DWN BY	<b>SIZE</b> B	<b>REV</b> A	<b>UNITED STATES STOVE COMPANY</b> ESTABLISHED 1869	
		<b>EXCEPT AS NOTED</b>	<b>FINISH</b> METALIC BLACK	<b>DATE</b> 1/2/2019	<b>TITLE</b> US1100E-BLOWER W/ LEGS	<b>NUMBER</b> US1100E-BL		<b>SHEET</b> 1 OF 3
		<b>REFERENCE</b> US1100E						

4

3

2

1

REVISION HISTORY			
REV	DESCRIPTION	DATE	BY
A	INITIAL RELEASE	1/2/2019	AJD

**SPEC. CONTROL**

» Primary Material: **Kaowool**  
 »» 1st Alternate Material: **Durablanket®**  
 »»» 2nd Alternate Material: **Cer-wool**

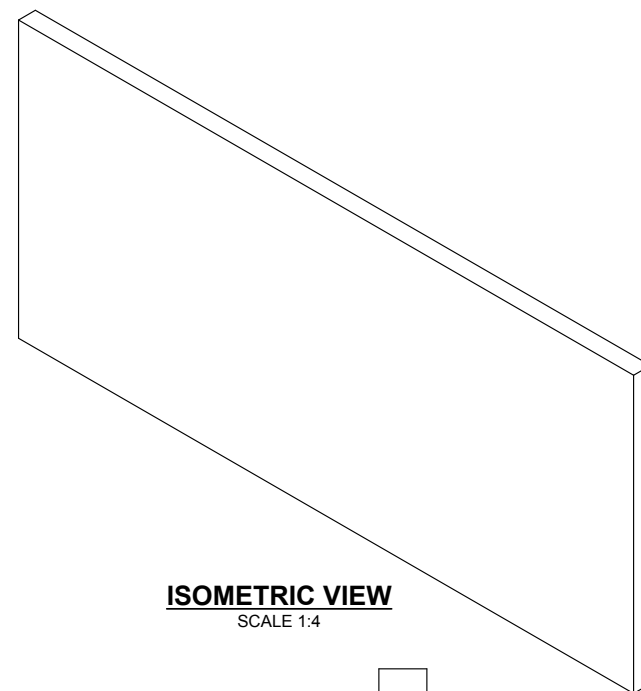
Color: **WHITE**  
 Density: **6lb Mat'l**  
 Temperature Rating: **2300°F (1260°C)**

**SOURCE OF MANUFACTURER**

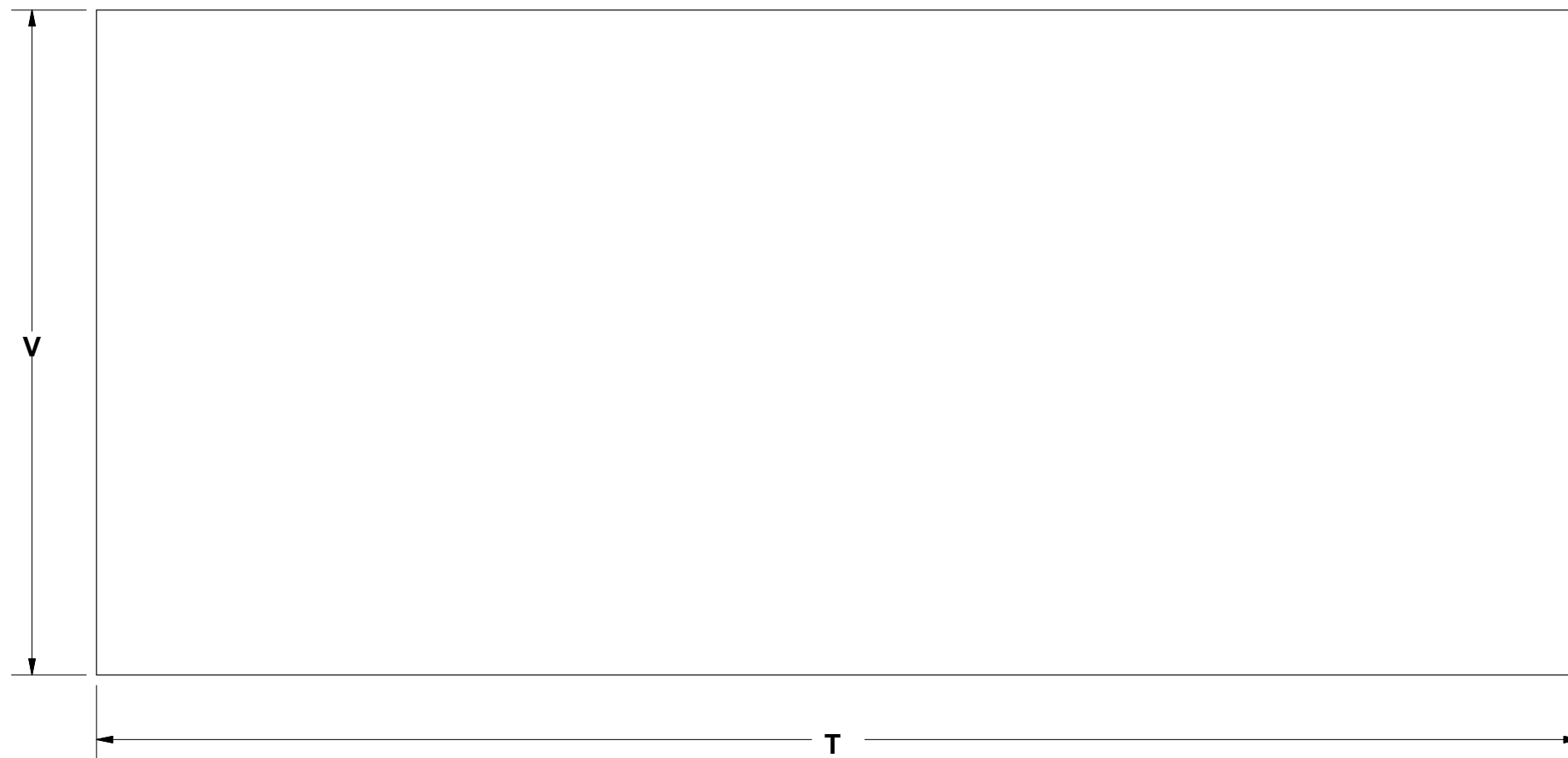
**For Kao-Wool**  
**Thermal Ceramics**  
 2102 Old Savannah Road  
 Augusta, Georgia 30906  
 Phone: (706) 796-4200  
 Fax: (706) 796-4398

**For Durablanket® S**  
**Resolute Manufacturing Co.**  
 4300-A Bankers Circle  
 Atlanta, GA 30360  
 Phone: (707) 849-0386  
 Fax: (770) 849-0387

**For Cer-Wool**  
**Vesuvius USA**  
 661 Willet Road  
 Buffalo, NY 14218  
 Phone: (716) 825-7900  
 Fax: (877) 807-1596



**ISOMETRIC VIEW**  
SCALE 1:4



**FRONT VIEW**  
SCALE 1:2

GENERAL NOTES: ALL FORMED DIMENSIONS ARE TO THE OUTSIDE OF THE PART, UNLESS SPECIFIED OTHERWISE.	© 2018 United States Stove Company ALL RIGHTS RESERVED THE DATA CONTAINED HEREIN IS PROPRIETARY TO U. S. STOVE COMPANY. THIS DATA SHALL NOT BE DUPLICATED, TRANSFERRED, MADE AVAILABLE, OR USED BY ANY THIRD PARTY FOR ANY PURPOSE EXCEPT WHEN SPECIFICALLY AUTHORIZED IN WRITING BY U. S. STOVE COMPANY.	TOLERANCES	HOLES ± .005"	DESCRIPTION	SCALE 1:2	SIZE B	REV A	<b>UNITED STATES STOVE COMPANY</b> ESTABLISHED 1869	
		EXCEPT AS NOTED	DECIMAL ± .XX = 0.03 XXX = 0.010	FINISH	DWN BY AJD	TITLE <b>KAO WOOL BLANKET</b>		NUMBER 88315	SHEET 1 OF 1
			ANGULAR ± 2°	REFERENCE US1100E	DATE 1/2/2019				

4

3

2

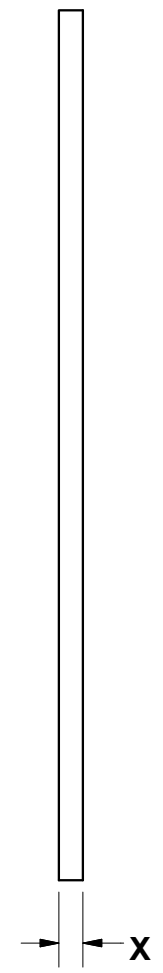
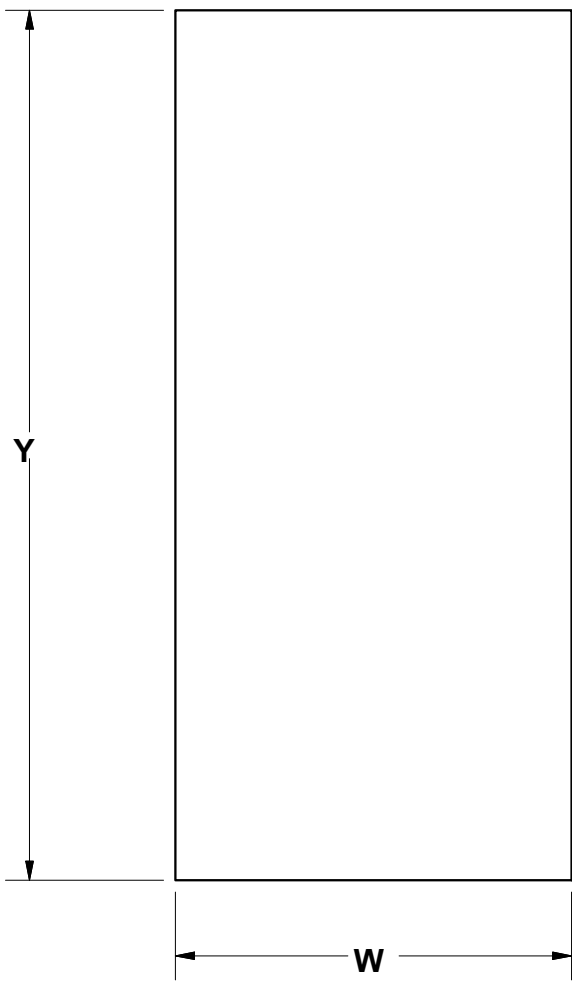
1



REVISION HISTORY			
REV	DESCRIPTION	DATE	BY
A	INITIAL RELEASE	8/28/13	TDA



ISOMETRIC VIEW  
SCALE 1/3



**SPEC. CONTROL**

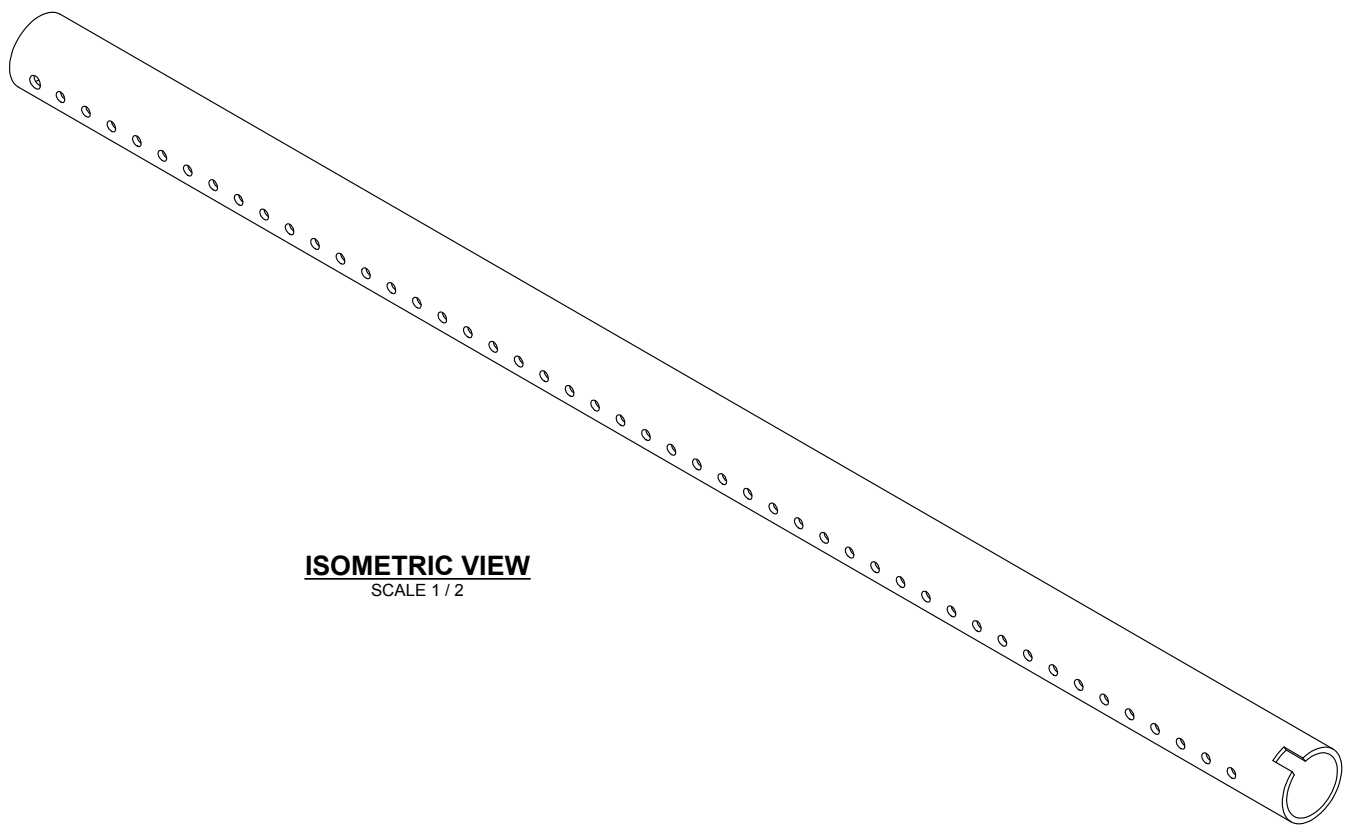
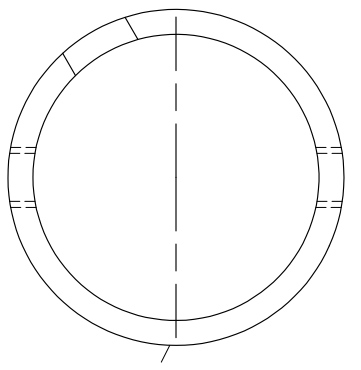
**Material:** Gemcolite® FG23-102  
C-Cast Aluminosilicate Ceramic Fiber  
with organic binder  
**Color before firing:** Gray/Off-White  
**Color after firing:** White  
**Density:** 36 PCF after rigidizing  
**Temperature Rating:** 2300°F (1260°C)

**SOURCE OF MANUFACTURER**

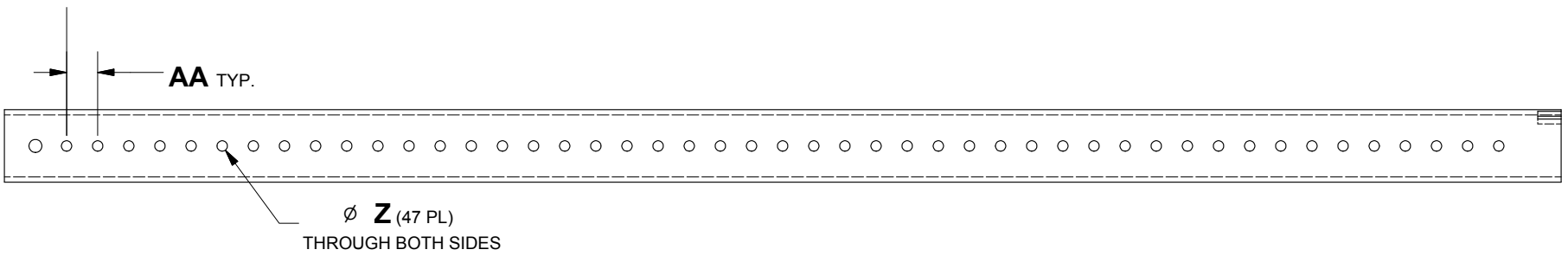
**Refractory Specialties Inc.**  
230 West California Ave.  
Sebring, OH 44672  
**Phone:** (330) 938-2101  
**Contact:** Ken Diver (Plant Engineer)

TOLERANCES EXCEPT AS NOTED	HOLES ± .005"	DESCRIPTION GEMCOLITE (SEE NOTE)	SCALE 1:3	SIZE B	REV A	<b>UNITED STATES STOVE COMPANY</b> ESTABLISHED 1869	NUMBER 88147	SHEET 1 OF 1
	DECIMAL .XX = 0.03    .XXX = 0.010		DWN BY CDB	TITLE BOARD, CERAMIC FIBER				
	ANGULAR ± 2°		DATE 3/3/2010	REFERENCE TR002/1100				

REVISION HISTORY			
REV	DESCRIPTION	DATE	BY
A	INITIAL RELEASE	11/19/18	TDA

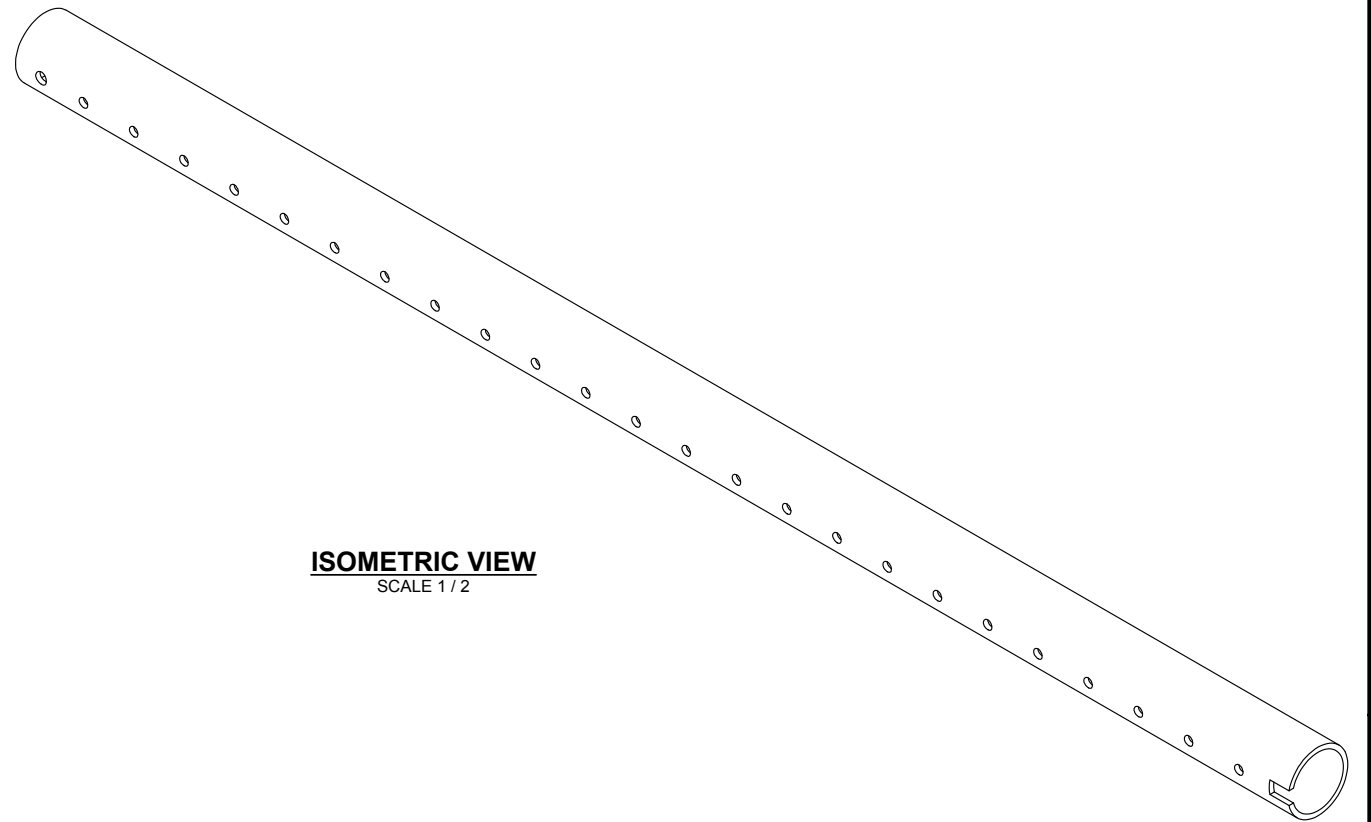
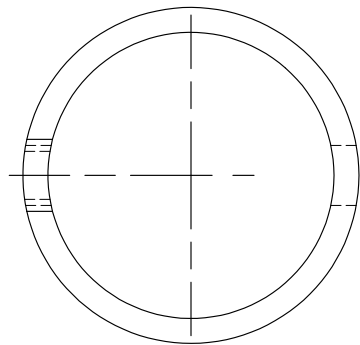


**ISOMETRIC VIEW**  
SCALE 1/2

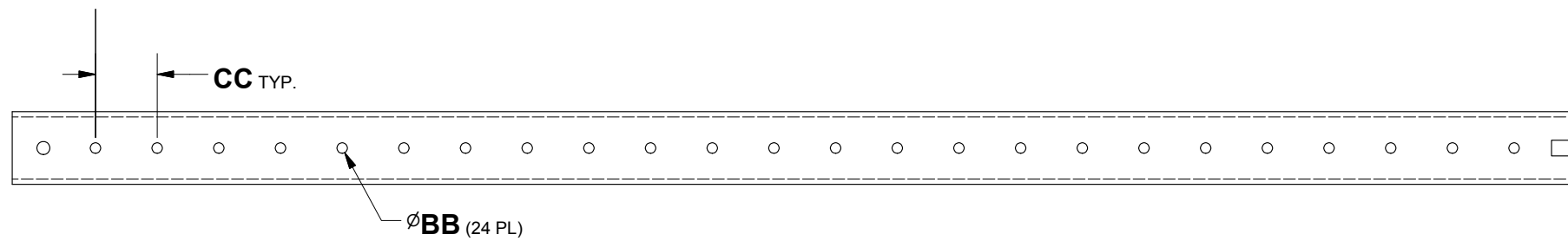


GENERAL NOTES: ALL FORMED DIMENSIONS ARE TO THE OUTSIDE OF THE PART, UNLESS SPECIFIED OTHERWISE.	© 2018 United States Stove Company ALL RIGHTS RESERVED THE DATA CONTAINED HEREIN IS PROPRIETARY TO U. S. STOVE COMPANY. THIS DATA SHALL NOT BE DUPLICATED, TRANSFERRED, MADE AVAILABLE, OR USED BY ANY THIRD PARTY FOR ANY PURPOSE EXCEPT WHEN SPECIFICALLY AUTHORIZED IN WRITING BY U. S. STOVE COMPANY.	TOLERANCES	HOLES ± .005"	DESCRIPTION .875" x .065 TP 304/304L SS	SCALE 1:2	SIZE B	REV A	UNITED STATES STOVE COMPANY ESTABLISHED 1869
		EXCEPT AS NOTED	DECIMAL ± .XX = 0.03 XXX = 0.010	FINISH	DWN BY TDA	TITLE SECONDARY TUBE	NUMBER 86903	
			ANGULAR ± 2°	REFERENCE US1100E	DATE 11/16/2018	SHEET 1 OF 1		

REVISION HISTORY			
REV	DESCRIPTION	DATE	BY
A	INITIAL RELEASE	11/19/18	TDA

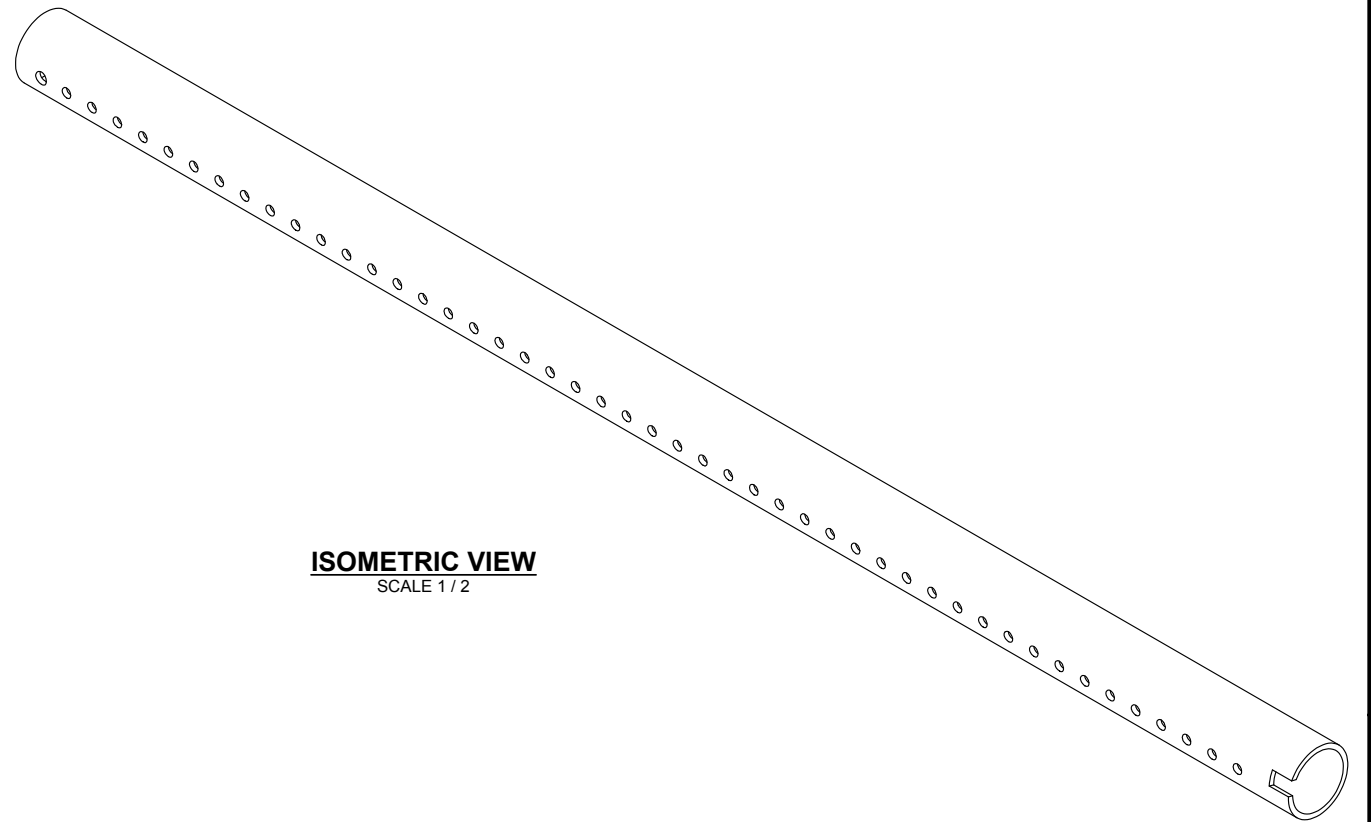
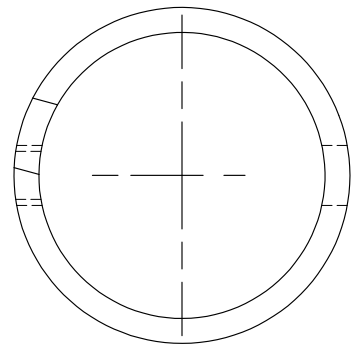


**ISOMETRIC VIEW**  
SCALE 1/2

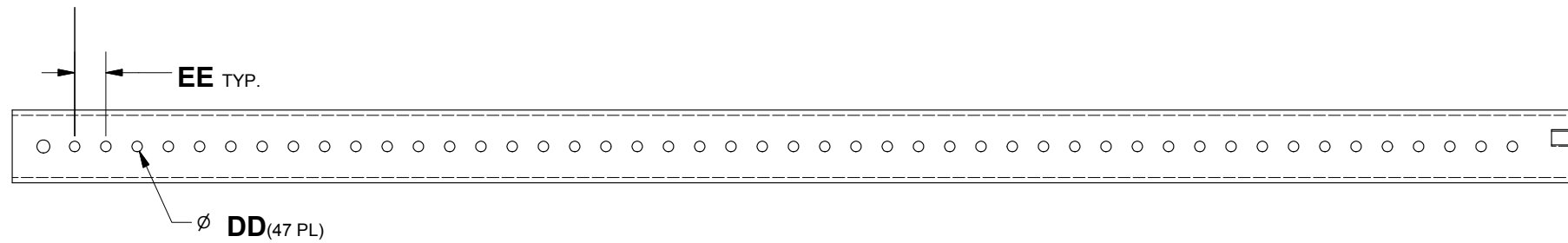


GENERAL NOTES: ALL FORMED DIMENSIONS ARE TO THE OUTSIDE OF THE PART, UNLESS SPECIFIED OTHERWISE.	© 2018 United States Stove Company ALL RIGHTS RESERVED THE DATA CONTAINED HEREIN IS PROPRIETARY TO U. S. STOVE COMPANY. THIS DATA SHALL NOT BE DUPLICATED, TRANSFERRED, MADE AVAILABLE, OR USED BY ANY THIRD PARTY FOR ANY PURPOSE EXCEPT WHEN SPECIFICALLY AUTHORIZED IN WRITING BY U. S. STOVE COMPANY.	TOLERANCES	HOLES ± .005"	DESCRIPTION .875" x .065 TP 304/304L SS	SCALE 1:2	SIZE B	REV A	UNITED STATES STOVE COMPANY ESTABLISHED 1869	
		EXCEPT AS NOTED	DECIMAL ± .XX = 0.03 XXX = 0.010	FINISH	DWN BY TDA	TITLE SECONDARY TUBE	NUMBER 86904		
			ANGULAR ± 2°	REFERENCE US1100E	DATE 11/16/2018				

REVISION HISTORY			
REV	DESCRIPTION	DATE	BY
A	INITIAL RELEASE	11/30/2018	AJD



**ISOMETRIC VIEW**  
SCALE 1/2



GENERAL NOTES: ALL FORMED DIMENSIONS ARE TO THE OUTSIDE OF THE PART, UNLESS SPECIFIED OTHERWISE.	© 2018 United States Stove Company ALL RIGHTS RESERVED THE DATA CONTAINED HEREIN IS PROPRIETARY TO U. S. STOVE COMPANY. THIS DATA SHALL NOT BE DUPLICATED, TRANSFERRED, MADE AVAILABLE, OR USED BY ANY THIRD PARTY FOR ANY PURPOSE EXCEPT WHEN SPECIFICALLY AUTHORIZED IN WRITING BY U. S. STOVE COMPANY.	TOLERANCES	HOLES ± .005"	DESCRIPTION .875" x .065 TP 304/304L SS	SCALE 1:2	SIZE B	REV A	UNITED STATES STOVE COMPANY ESTABLISHED 1869	
		EXCEPT AS NOTED	DECIMAL ± .XX = 0.03 XXX = 0.010	FINISH	DWN BY TDA	TITLE SECONDARY TUBE	NUMBER 86905		
			ANGULAR ± 2°	REFERENCE US1100E	DATE 11/16/2018				



# Certificate of Conformity

Issued to: United States Stove Company  
Mr. Brandon Barry  
227 Industrial Park Rd  
South Pittsburgh, TN 37380  
(423) 837-2100

Model: US1100E

AKA: US1100EC, VG1120, AW1120E, CH11, NM680, SW1.2, AHWS1120 US1100E-P, US1100E-L, US1100E-BP, US1100E-BL, AW1120E-P, AW1120E-L, 1120E-BP, AW1120E-BL, VG1120-P, VG1120-L, VG1120-BP, VG1120-BL, US1100EC-P, US1100EC-L, US1100EC-BP, US1100EC-BL., KW1100E-L, CH11-L, KW12, CGW1500 and DHWS 1500

Revised\*: February 23, 2021, September 20, 2021, March 19, 2024

Effective Date: February 8, 2019

Report # Polytest Report # PI-20283 (PFS# 19-466)

*\*See revision schedule on page 2 for a full list of changes*

Certification tests were performed by Services Polytests, Inc. located at: 695-B Gaudette- St-jean-sur-Richelieu, QC, J3B 7S7 CANADA.

PFS TECO certifies conformity to the following per 40 CFR Part 60 §60.533 (f) (A):

- The test report is complete and accurate.
- The instrumentation used for the test was properly calibrated.
- The representative model tested meets the applicable emission limits.
- The tests have been conducted per the appropriate guidelines.
- The manufacturer's Quality Control Plan has been reviewed to ensure that all production units are similar in all material respects that would affect emissions to the tested/certified model and that the units in the model line will meet all (other) applicable requirements.

PFS TECO certifies that the emissions levels as measured in the test report are in compliance with the 2020 PM emission limit of  $\leq 2.5$  g/hr using cordwood. Testing Per ASTM E3053, ASTM E2515, Efficiency per CSA B415.1

The average emissions for the US1100E wood heater is **1.7 g/hr** with an average efficiency of **68.6%**. Average CO emissions are **1.2 g/min.**

Issued by: PFS TECO  
1507 Matt Pass  
Cottage Grove, WI 53527

Scott Drake, President and CEO

PFS TECO is accredited by IAS to ISO 17020:2012 "Criteria For Bodies Performing Inspections, by IAS to ISO 17025: 2017 "Requirements For Testing Laboratories", and by Standards Council of Canada to ISO 17065: 2012 "Requirements For Bodies Operating Product Certification Systems".







## Revision Summary

Date: 2/8/2019 – Original Issue

Date: 2/23/21 – The following revisions to the report were reviewed:

- Update report to comply with ADEC requirements, mainly N-CBI report additional appendix,
- Update section 1.4 addressing pre-burn was done at medium hat draw (air setting)
- update comments p.12, 3.4 more detail for wood, addressing anomalies, appropriateness and
- validation of runs
- section 3.1 p10, no data available for screening burns only visual and burn time have accounted.
- Appendix 9 added details on pictures
- Changed molecular weight in appendix 1 from 28.78 to 29
- Updated run 1.2 p12 mentioning the air inlet was at the lowest possible position for the minimum test
- updated manuals Appendix 7 (correcting consumer fueling instructions)

Date: 9/20/21 – The following revisions to the report were reviewed:

- Additional letter for TYPO's about mixing baffle in the original report Appendix 15

Date: March 15, 2024 Rev 3

- Additional new name for the same appliance
- Appendix 7, updated with new manual cover sheet with new names, and additional new names on markings
- Section 1.2, updated to include additional new names.