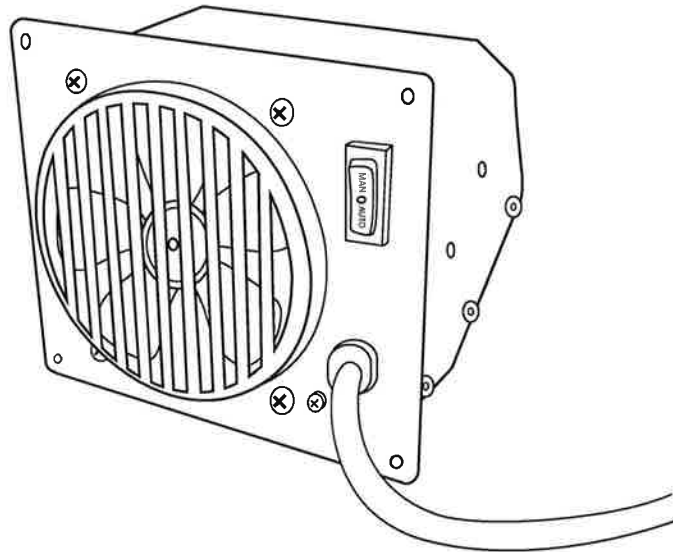


MODEL #: 20-6127

This fan is a CSA approved component compatible with the following models:

KWD154	KWN523
KWD215	KWNB241
KWD258	KWNB317
KWD325	KWNB365
KWD378	KWNB537
KWD525	KWP150
KWDB250	KWP212
KWDB320	KWP214
KWDB370	KWP254
KWDB540	KWP352
KWG362	KWP376
KWN149	KWP392
KWN211	KWP396
KWN213	KWP522
KWN253	KWP524
KWN351	KWPB242
KWN375	KWPB318
KWN391	KWPB366
KWN395	KWPB538
KWN521	



IMPORTANT INSTRUCTIONS

PLEASE READ THIS MANUAL BEFORE INSTALLING AND USING APPLIANCE

⚠ WARNING: IF THE INFORMATION IN THIS MANUAL IS NOT FOLLOWED EXACTLY, A FIRE OR EXPLOSION MAY RESULT CAUSING PROPERTY DAMAGE, PERSONAL INJURY OR LOSS OF LIFE.

⚠ WARNING: THIS PRODUCT IS ONLY FOR USE WITH MODELS SPECIFIED IN THIS MANUAL BY THE MANUFACTURER. ANY OTHER USAGE OR INSTALLATION NOT SPECIFIED IN THIS MANUAL IS PROHIBITED.

INSTALLER: Leave this manual with the appliance.
CONSUMER: Retain this manual for future reference.



Questions, problems, missing parts? Before returning to your retailer, call our Technical Service Department at 1-814-643-1775.

IMPORTANT: Read this owner's manual carefully and completely before trying to assemble, operate, or service this heater. Improper use of this heater can cause serious injury or death from burns, fire, explosion, electrical shock, and carbon monoxide poisoning.

⚠ WARNING: Electrical Grounding Instructions

This appliance is equipped with a three-prong (grounding) plug for your protection against shock hazard and must be plugged directly into a properly grounded three-prong receptacle.

⚠ WARNING: Any change to this heater or its controls can be dangerous.

⚠ WARNING: Make sure any panel, safety screen or guard removed for servicing an appliance must be replaced prior to operating the heater.

⚠ WARNING: Do not use any accessories not approved for use with this heater.

1. Read all instructions before using this appliance.
2. If possible always unplug this appliance when not in use.
3. Do not operate any heater with a damaged cord or plug or after the appliance malfunctions, has been dropped or damaged in any manner.
4. Under no circumstances should this appliance be modified. Parts having to be removed for servicing must be replaced prior to operating this appliance again.
5. Do not use outdoors.
6. This heater is not intended for use in bathrooms, laundry areas and similar indoor locations. Never locate this appliance where it may fall into a bathtub or other water container.
7. Do not run cord under carpeting. Do not cover cord with throw rugs, runners or the like. Arrange cord away from traffic areas and where it will not be tripped over.
8. To disconnect this appliance, turn controls to the off position, then remove plug from outlet.
9. Connect to properly grounded outlets only.
10. This appliance, when installed must be electrically grounded in accordance with local codes, with the current USA installations, or in the absence of local codes, the National Electric Code, ANSI/NFPA No. 70.
11. Do not insert or allow foreign objects to enter any ventilation or exhaust opening as this may cause an electric shock, fire or damage the appliance.
12. To prevent possible fire, do not block air intakes or exhaust in any manner.
13. Use this appliance only as described in this manual. Any other use not recommended by the manufacturer may cause fire, electric shock or injury to persons.
14. Installation and repair should be done by a qualified service person. The appliance should be inspected before use and at least annually by a professional service person. More frequent cleaning may be required due to excessive lint from carpeting, bedding material, etc. It is imperative that control compartments, burners and circulating air passageways of the appliance be kept clean.

ASSEMBLY INSTRUCTIONS

Before beginning assembly of product, make sure all parts are present. Compare parts with package contents list and diagram under. If any part is missing or damaged, do not attempt to assemble, install or operate the product. Contact customer service for replacement parts at 1-814-643-1775.

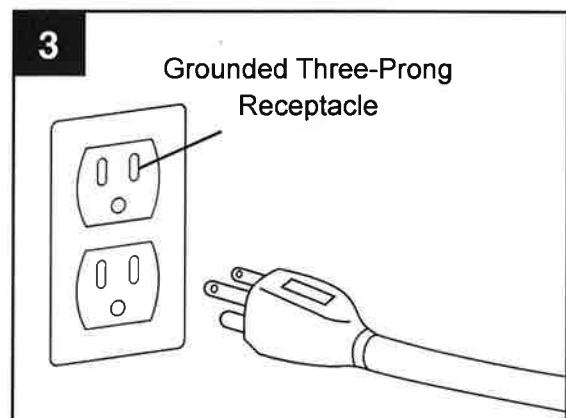
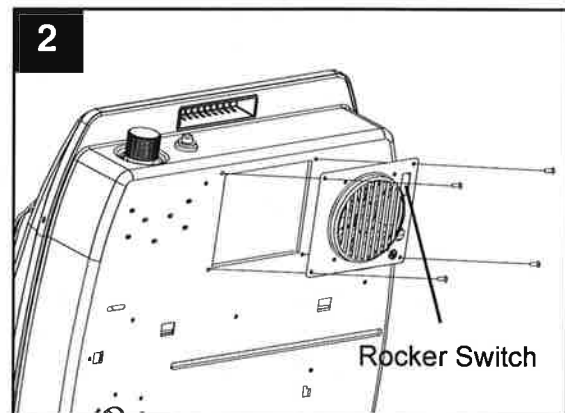
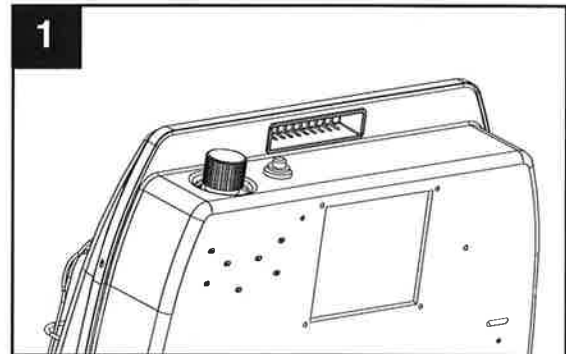
Package Contents:



Philips Head Screw x 4

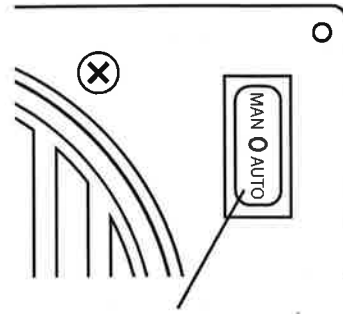
⚠ CAUTION: Wall mounted heater must be disconnected from gas supply and removed from the wall before installing fan accessory. Contact a qualified service person to do this.

1. Remove Fan Knock-Out Panel using a screw driver.
2. With the Rocker Switch positioned in the top right corner, attach fan to rear panel of the heater using the 4 screws provided.
3. Plug Power Cord into a properly grounded three-prong receptacle.



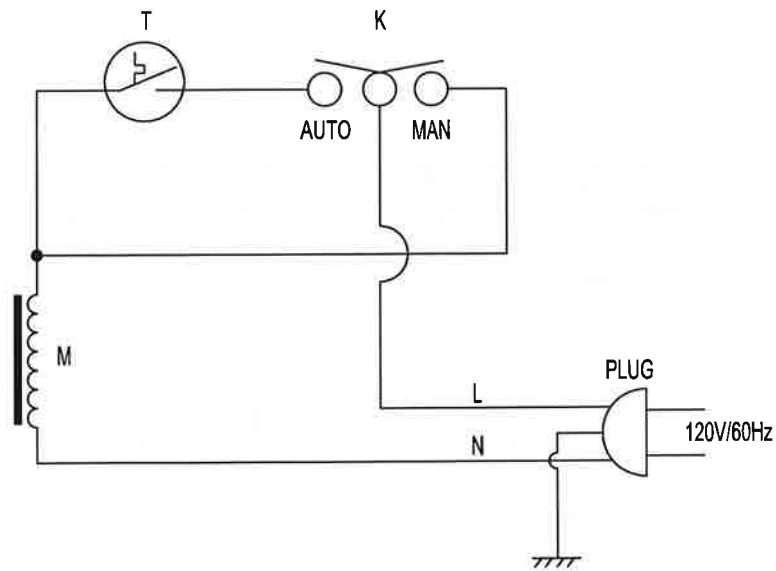
OPERATING INSTRUCTIONS

This fan is equipped with manual "MAN" and automatic "AUTO" settings. Set the rocker switch to "MAN" for manual mode, allowing the fan to continuously run until the rocker switch is returned to the OFF "O" position. Set the rocker switch to "AUTO" for the automatic mode, which will turn the fan on and off based on ambient room temperature. It may take 5 to 10 minutes for the fan to come on when the unit is cold.



Fan Rocker
Switch

Electrical Wiring Diagram



T - Temperature Switch
M - Motor
K - Power Switch

NOTE: If any of the original wire as supplied with the appliance must be replaced, it must be replaced with a wire of at least an equal temperature rating.

⚠ CAUTION: Label all wires prior to disconnection when servicing controls. Wiring errors can cause improper and dangerous operation. Verify proper operation after servicing.

MAINTENANCE OF MOTORS

⚠ WARNING: Make sure all power to the appliance is turned OFF before proceeding.

Always disconnect the appliance from the main power supply and allow it to cool before any servicing operation. The motor used on the fan is pre-lubricated for extended bearing life and requires no further lubrication. However, periodic cleaning/vacuuming of the appliance around the air intake and exhaust, as well as the fan is recommended. For heavy or continuous use, periodic cleaning must be done more frequently. If the heater blows alternating cold and warm air, check the fan for free movement and for debris restricting air flow. If the fan does not move freely, the unit must be turned off and the fan replaced immediately in order to prevent further damage to the unit.

Troubleshooting

PROBLEM	POSSIBLE CAUSE	CORRECTIVE ACTION
Fan is not spinning.	<ol style="list-style-type: none">1. There is no power to the fan.2. Fan is set to "AUTO".3. Fan motor is bad.	<ol style="list-style-type: none">1. Verify fan is plugged in and set to "MAN" or "AUTO".2. Allow 5-10 minutes for fan to engage.3. Replace fan.
Fan is making a loud noise.	<ol style="list-style-type: none">1. Fan housing or blades are dirty.2. Fan rotation is blocked.3. Defective Fan.	<ol style="list-style-type: none">1. Clean fan and fan housing.2. Verify wiring is not in fan path.3. Replace fan.

This product includes a warranty against any defect in materials and workmanship for a period of one (1) year from the date of retail sale. Contact our Consumer Warranty Dept. for more information (800) 776-9425.