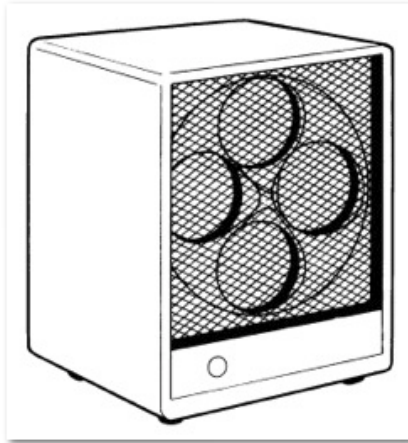


The Original Ceramic Disc Furnace

Model No. BDISC6



FEATURES:

- 1500 Watts/5200 BTUs
- Even Heat Distribution
- Excellent Heating
- Superior Heat Projection
- Meets the Most Current Safety Standards



Comfort Home Products Inc. 12256 William Penn Hwy., Suite A
Huntingdon, PA 16652 Tel: (800) 776-9425



CALIFORNIA RESIDENTS ONLY-WARNING:

This product contains chemicals including di(2-ethylhexyl)phthalate (DEHP), which is known to the State of California to cause cancer and reproductive harm. For more information, go to:
www.P65Warnings.ca.gov

Genuine Honeycomb Ceramic Disc Furnace

Made in China

INTENDED USE

This product is intended only for indoor household or office use.

It is NOT intended for industrial or commercial use. DO NOT USE OUTDOORS

IMPORTANT INSTRUCTIONS

PLEASE READ AND SAVE THESE IMPORTANT SAFETY INSTRUCTIONS

When using electrical appliances, basic precautions should always be followed to reduce the risk of fire, electrical shock, and injury to persons, including the following:

1. Read all instructions before using this heater
2. This heater is hot when in use. To avoid burns, do not let bare skin touch hot surfaces. If provided, use handles when moving this heater. Keep combustible materials, such as furniture, pillows bedding, papers, clothes and curtains at least 3 feet (0.9) from the heater.
3. Extreme caution is necessary when any heater is used by or near children, pets or invalids and whenever the heater is left operating unattended.
4. Use your heater only in dry environments. This heater is not intended for use in bathrooms, laundry areas and similar indoor locations. Never locate the heater where it may fall into a bathtub or other water container. Do not use your heater outdoors. Do not use near sinks, swimming pools or other damp areas such as flooded basements, garages, etc or anyplace where the heater could come in contact with water.
5. A heater has hot and arcing parts inside. Do not use in areas where gasoline, paint, or flammable liquids are used or stored.
6. To disconnect heater, first turn controls to off, then remove plug from outlet. Always unplug the heater when not in use.
7. Always unplug heater by removing the plug end from the outlet when not in use. Never unplug by pulling on the cord as this can damage the power cord.
8. Do not operate any heater with a damaged cord or plug or after the heater malfunctions, has been dropped or damaged in any manner. Return heater to authorized service facility for examination, electrical or mechanical adjustment or repair.
9. Always plug heaters directly into a wall outlet/receptacle. Never use with an extension cord or relocatable power strip.
10. Do not run cord under carpeting. Do not cover cord with throw rugs, runners, or similar coverings. Arrange cord away from traffic area and where it will not be tripped over.
11. It is normal for the plug to feel warm to touch; however, a loose fit between the AC outlet (receptacle) and plug may cause overheating and distortion of the plug. Contact a qualified electrician to replace loose or worn outlet.
12. Do not insert or allow foreign objects to enter any ventilation or exhaust opening as this may cause an electrical shock or fire, or damage the heater
13. To prevent a possible fire, do not block air intakes or exhaust in any manner. Do not use on soft surfaces, like a bed, where openings may become blocked.
14. Do not operate heater with any safeguards removed.
15. Use this heater only as described in this manual. Any other use not recommended by the manufacturer may cause fire, electric shock, or injury to persons.

16. This heater draws 12.5 amps during operation. To prevent overloading a circuit, do not plug the heater into a circuit that already has other appliances working.
17. Do not use outdoors

“SAVE THESE INSTRUCTIONS”

PLEASE READ BEFORE OPERATING

PRE-OPERATING INSTRUCTIONS

1. Carefully remove your heater from box. (Please SAVE the Box for off season storage).
2. Make sure the heater is switched OFF before plugging the heater into the outlet. Connect to properly grounded outlets only. Note: The power cord has a polarized plug (with one blade wider than the other) that will only fit in a polarized outlet one way. If it does not insert easily try reversing the plug. If it still does not fit contact your electrician to replace your outlet. DO NOT defeat the safety purpose of the polarized plug.
3. Place heater only on a firm level surface, free from obstructions and at least 3 ft. away from any wall or other objects such as curtains, plants, etc.
4. Avoid overloading your circuit by not using other high wattage appliances in the same outlet.

SAFETY FEATURES

For added safety, your DiscFurnace is equipped with a tip-over safety switch and a thermal cut-off overheat protection device.

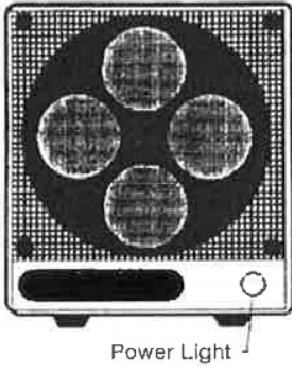
WARNING

FOR SAFETY REASONS, IF THIS PRODUCT OVERHEATS DUE TO ABNORMAL CONDITIONS THE CERAMIC DISC HEATING ELEMENT WILL SHUT OFF AUTOMATICALLY

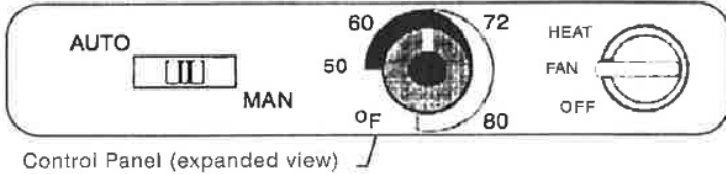
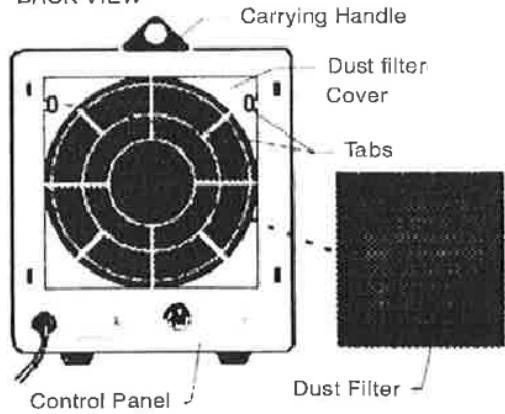
TO RESTORE OPERATION, PLEASE UNPLUG THE UNIT AND ALLOW TIME FOR THE THERMAL CUT-OFF OVERHEAT PROTECTION DEVICE TO COOL OFF

OPERATING INSTRUCTIONS

FRONT VIEW



BACK VIEW



POWER LIGHT: Red light indicates that the unit is on.

HEAT: The fan and the disc heating elements are in use.

FAN: The fan circulates room air only; the heating elements are not in use.

OFF: The DiscFurnace is turned off.

AUTO: The unit operates automatically at the selected temperature.

MAN: The unit must be operated manually by the user.

HOW TO OPERATE THE UNIT: If you want to circulate room air only, you must set the unit to FAN. If you want to heat your room, you must set the unit to HEAT

FAN: To circulate room air, set the AUTO/MAN switch to MAN and use the temperature dial to adjust the amount of airflow. The AUTO mode is not used in the FAN setting.

HEAT: To heat your room, you can operate the unit either automatically in the AUTO mode or manually in the MAN mode.

In AUTO: Set the Temperature dial to desired setting between 50 °F and 80 °F. The unit will automatically adjust the heat output as the room gets warm or cold.

In MAN: Set the dial to a desired setting between 50 °F and 80 °F. The unit will continue to run at that setting until you turn the dial to a higher or lower setting. In this setting you may change the heat output but the unit does not sense the room temperature.

HOW THE AUTOMATIC TEMPERATURE WORKS:

When in the AUTO mode, the DiscFurnace's automatic temperature control monitors the changes in the room's temperature and adjusts the heat output without cycling on and off. As your room gets warmer, the heat will gradually cut down to a lower wattage level. As your room gets colder, the heat will gradually increase to a higher wattage level. This is a more effective and a more efficient means of heating than conventional thermostats that create noisy on/off cycling and hot/cold spells

PLACEMENT OF THE UNIT IN THE ROOM: For best results and the most effective heating, place the unit on the floor approximately 3 feet away from any wall. The unit can be placed on carpeting.

STORAGE: Coil cord and secure with plastic fastener on cord and store heater in its original packaging, in a safe place where connector and cord will not be damaged.

CLEANING your DiscFurnace: To clean the unit, unplug it first, use a moistened clean, soft cloth to gently remove dirt from its surface. Do not use cleaning liquids or other chemicals on the heater. Make sure not to get the ceramic heating elements wet. Allow the unit to dry completely.

CLEANING THE DUST FILTER: (refer to **BACK VIEW** illustration): The dust filter collects dirt and dust from air circulating through the unit. To clean the filter, unplug the heater, then remove the dust filter cover by pulling the tabs which are located on each side. Rinse the filter with warm water and allow it to dry completely before placing it back behind the unit and reinstalling the filter cover.

WARNING

DO NOT use the unit in Chlorine gas, Sulphur Dioxide, inert or other **GAS REDUCING ATMOSPHERES**. Use in such environments will result in obvious darkening/discoloration of the heating elements which will eventually deteriorate and arching may result.

TROUBLE SHOOTING

If your heater fails to operate, please do the following:

- Review these instructions to insure you understand the basic operations and features of your heater.
- Check your circuit breaker or fuse for proper operation.
- Check for obstructions. Unplug the heater for 30 minutes, clear any obstructions and restart the heater.
- This heater is equipped with a Safety Tip-over device, to reset simply unplug the heater for 30 minutes, set the heater on a level surface, then follow the operating instruction found in this manual.

NEVER attempt to open or service the heater yourself. Doing so may cause damage or personal injury. (See Warranty Card for more information)

SPECIFICATIONS

Model NO.	BDISC6 (All specifications +5% / -10% tolerance)
Voltage	120V
Frequency	60Hz
Output Power (Watts)	1500 watts max (100%)
Electric Current (Amps)	5A min 12.5A max
BTU's per/Hour	2050 5200
Turbo Fan	Industrial –rated long life

PORTABLE ELECTRIC HEATER WARRANTY

LIMITED WARRANTY:

A limited warranty is extended to the original purchaser of this heater and warrants against malfunction due to manufacturing defects for a period of (1) one year from the date of retail purchase. Please read and follow all details noted below.

CLAIMS HANDLED AS FOLLOWS:

1. **WITHIN 30 DAYS OF PURCHASE:**
 - Return to the place of purchase.
2. **AFTER 30 DAYS AND WITHIN THE 1 YEAR WARRANTY PERIOD:**
 - Contact our Customer Service Department at 1-800-776-9425. You must have the model number, serial number and date of purchase.
 - They will provide you with further instructions, which will include repair or replacement at our option.
 -

**CALL 1-800-776-9425 FOR SERVICE (9AM-6PM MON. - FRI.) or
EMAIL US AT info@worldmktng.com**

DUTIES OF THE OWNER:

This heating appliance must be operated in accordance with the written instructions furnished with this heater. This warranty shall not excuse the owner from properly maintaining this heater in accordance with the written instructions furnished with this heater. A bill of sale, canceled check or payment record must be kept to verify purchase date and establish warranty period. Original carton should be kept in case of warranty return of unit.

WHAT IS NOT COVERED:

1. Damage caused by misuse or use contrary to the owners manual and safety guidelines.
2. Damage caused by a lack of normal maintenance.
3. Repair by an unauthorized person.
4. Damage caused by connection to an improper voltage.
5. Damaged caused by use outdoors.

LIMITATIONS:

This warranty does not imply or assume any responsibility for consequential damages that may result from the use, misuse, or the lack of routine maintenance of this heating appliance. A cleaning fee and the cost of parts may be charged for appliance failures resulting from lack of maintenance. This warranty does not cover claims, which do not involve defective workmanship or materials. FAILURE TO PERFORM GENERAL MAINTENANCE (INCLUDING CLEANING) WILL VOID THIS WARRANTY.

THIS LIMITED WARRANTY IS GIVEN TO THE PURCHASER IN LIEU OF ALL OTHER WARRANTIES, EXPRESSED OR IMPLIED, INCLUDING BUT NOT LIMITED TO THE WARRANTIES OF MERCHANTABILITY OF FITNESS FOR A PARTICULAR PURPOSE. THE REMEDY PROVIDED IN THIS WARRANTY IS EXCLUSIVE AND IS GRANTED IN LIEU OF ALL OTHER REMEDIES. IN NO EVENT WILL WORLD MARKETING OF AMERICA BE LIABLE FOR INCIDENTAL OR CONSEQUENTIAL DAMAGES.

Some states do not allow limitations on how long an implied warranty lasts, so the above limitation may not apply to you. Some states do not allow the exclusion or limitation of incidental or consequential damages so the above limitation or exclusion may not apply to you.

**ALWAYS OBSERVE THESE SAFETY PRECAUTIONS WHEN OPERATING
YOUR SAFETY FURNACE**

- ALWAYS** Read all instructions before operating
- ALWAYS** Locate your furnace away from furniture or loose hanging drapes.
- ALWAYS** Keep the rear grill away from walls or drapes so as not to block the air intake. (If applicable)
- ALWAYS** Unplug furnace when not in use
- ALWAYS** Use furnace on a flat dry surface
- ALWAYS** Use on 110-120 volt 60Hz AC power supply
- ALWAYS** Route the cord so it will not be walked on tripped over or pinched by furniture.
- ALWAYS** Keep electrical cords, drapes and other furnishings away from your furnace.
- ALWAYS** Keep your furnace clean and the filter free of dust. (If applicable)
- ALWAYS** Use indoors only

**ALWAYS OBSERVE THESE SAFETY PRECAUTIONS WHEN OPERATING
YOUR SAFETY FURNACE**

- NEVER** Place drapes, clothing or towels over furnace to dry.
- NEVER** Use in the presence of explosive or flammable vapors such as gas or paint.
- NEVER** Plug another electrical appliance into the same circuit. Blown fuses, tripped circuits and fire hazards may result.
- NEVER** Use water or liquids to clean your furnace.
- NEVER** Let bare skin touch hot surfaces as this may cause burns.
- NEVER** Leave furnace unattended.
- NEVER** Leave furnace when children or pets are present.
- NEVER** Locate furnace where it may fall into a bath tub or other water containers.
- NEVER** Operate furnace with a damaged cord, plug or after the furnace malfunctions, or has been dropped or damaged in any manner.
- NEVER** Run cord under carpeting or cover with throw rugs or runners.
- NEVER** Insert or allow foreign objects to enter any ventilation or exhaust openings, as this may cause an electrical shock, fire or damage.

For your record, staple your sales receipt to this manual and record the following:

DATE OF PURCHASE: _____

PLACE OF PURCHASE: _____

SERIAL NUMBER: _____

MODEL NUMBER: _____

(STAPLE RECEIPT HERE)

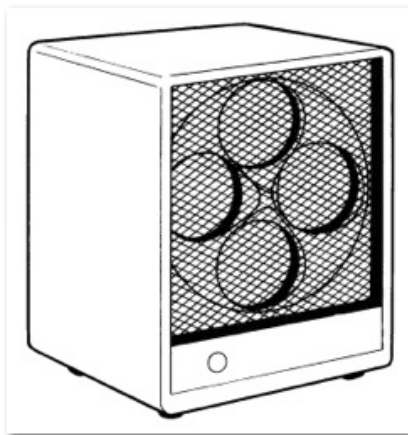
NOTE: PROOF OF PURCHASE IS REQUIRED FOR ALL WARRANTY CLAIMS

Printed in China

© 2018 Comfort Home Products, Inc. All rights reserved.

El Original de disco de cerámica

Modelo No. BDISC6



- **CARACTERÍSTICAS:**

- 1500 vatios/5200 BTUs
- Distribución de calor uniforme
- Excelente calefacción
- Superior del calor Proyección

cumple con los estándares de seguridad más recientes



**Comfort Home Products Inc. 12256 William Penn Hwy., Suite A
Huntingdon, PA 16652 Tel: (800) 776-9425**



ADVERTENCIA SOLO PARA RESIDENTES DE CALIFORNIA:

Este producto contiene elementos químicos que incluyen di(2-etilhexil) ftalato (DEHP), el cual es conocido en el estado de California por provocar cáncer y daños en el sistema reproductivo. Para más información, vaya a: www.P65Warnings.ca.gov

Hecha en China

Panal genuino horno de disco de cerámica

USO DESTINADO

Este producto es pensado sólo para interior de la casa o el uso de la oficina. No es pensado para el valor industrial ni el uso comercial. No UTILICE FUERA

INSTRUCCIONES IMPORTANTES

LEA POR FAVOR Y SALVO ESTAS INSTRUCCIONES IMPORTANTES de SAFETY cuando se usa electrodomésticos, precauciones básicas siempre deben ser seguidas para reducir el riesgo del fuego, de golpe eléctrico, y de la herida a personas, inclusive lo Siguiente:

1. Lea todas las instrucciones antes de utilizar esta calentadora
2. Esta calentadora tiene calor cuando en el uso. Para evitar quemaduras, no permiten toque descubierto de piel superficies calientes. Si proporcionado, asideros de uso al mover esta calentadora. Mantenga materiales combustibles, como muebles, ropa de cama de almohadas, los papeles, la ropa y las cortinas por lo menos 3 pies (0,9) de la calentadora.
3. El cuidado extremo es necesario cuando cualquier calentadora es utilizada por o cerca de niños, los animales favoritos o los inválidos y siempre que la calentadora sea dejada operando desatendido.
4. Utilice su calentadora sólo en ambientes secos. Esta calentadora no es pensada para el uso en cuartos de baño, áreas de ropa sucia y ubicaciones interiores semejantes. Nunca sitúe la calentadora donde puede caerse en una bañera u otro contenedor de agua. No utilice su calentadora fuera. No utilice cerca fregaderos, las albercas ni otras áreas húmedas como sótanos inundados, los garajes, etc ni en algún lugar donde la calentadora podría entrar contacto con agua.
5. Una calentadora tiene caliente y las partes de arcing adentro. No utilice en áreas donde gasolina, la pintura, ni líquidos flamables son utilizados ni son almacenados.
6. Para desconectar calentadora, primero controles de vuelta a lejos, el quita tapón de la salida. Siempre desenchufe la calentadora cuando no en uso.
7. Siempre desenchufe calentadora quitando el fin de tapón de la salida cuando no en uso. Nunca desenchufe tirando de la cuerda como esto puede dañar el cable de alimentación.
8. No opere ninguna calentadora con una cuerda ni el tapón dañados ni después de que la calentadora falle, haya sido dejada caer o ha sido dañada en ninguna manera. Regrese calentadora a la facilidad autorizada del servicio para el examen, ajuste reparación eléctricos o mecánicos.
9. Siempre tape calentadoras directamente en un salida/receptáculo de pared. Nunca utilice con un alargador ni la tira del poder de relocatable.
10. No corra cuerda bajo alfombrar. No cubra cuerda con tapetes de tiro, con los corredores, ni con cubiertas semejantes. Arregle cuerda lejos de área de tráfico y de donde no será tropezado sobre.
11. Es normal para el tapón para sentirse tibio tocar; sin embargo, un ataque flojo entre la salida de C.A. (receptáculo) y el tapón puede causar recalentar y deformación del tapón. Contacte a un electricista calificado para reemplazar salida floja o gastada.
12. No inserte ni permita objetos extranjeros entrar ninguna ventilación ni el escape que abren como esto puede causar un golpe o el fuego eléctricos, o dañar la calentadora
13. Para prevenir un fuego posible, no bloquea tomas de aire ni agota en ninguna manera. No utilice en superficies suaves, como una cama, donde aperturas pueden llegar a ser bloqueadas.

14. No opere calentadora con cualquier medidas de protección quitado.
15. Utilice esta calentadora sólo como descrito en este manual. Cualquier otro uso no recomendado por el fabricante puede causar el fuego, la descarga eléctrica, ni la herida a personas.
16. Esta calentadora dibuja 12,5 amperios durante operación. Para prevenir sobrecargando un circuito, no tapa la calentadora en un circuito que ya tiene otros aparatos que trabaja.
17. No utilice fuera

EL MANUAL DE INSTRUCCIONES

1. Cuidadosamente remueva su calentador de caja. (Guarde la caja para fuera de temporada almacenamiento).
2. Asegúrese de que el calentador esté apagado antes de conectar el calentador en el tomacorriente. Conecte solamente en tomacorrientes debidamente conectado a tierra. Nota: El cable tiene un enchufe polarizado (con una pata más ancha que la otra) que sólo encajará en un tomacorriente polarizado de una manera. Si no inserta fácilmente intentarlo invirtiendo la clavija. Si aún no encaja contacto con un electricista para que reemplace el tomacorriente. No anule el propósito de seguridad del enchufe polarizado.
3. Coloque el calefactor solamente sobre una superficie firme y plana, libre de obstrucciones y por lo menos 3 pies lejos de cualquier pared u otros objetos tales como cortinas, plantas, etc..
4. Evite sobrecargar el circuito por no usar otros aparatos de alto voltaje en el mismo tomacorriente.

CARACTERÍSTICAS DE SEGURIDAD

Para mayor seguridad, tu DiscFurnace está equipado con un interruptor de seguridad volcadura y un atajo termal del dispositivo de protección contra sobrecalentamiento

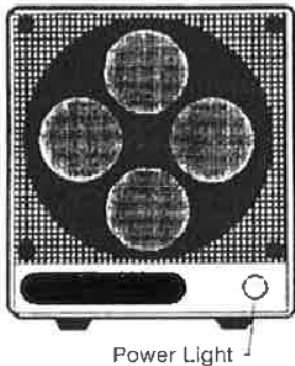
ADVERTENCIA

POR RAZONES DE SEGURIDAD, SI ESTE PRODUCTO SE SOBRECALIENTA EL ELEMENTO CALEFACTOR DE DISCO DE CERÁMICA SE APAGARÁ AUTOMÁTICAMENTE

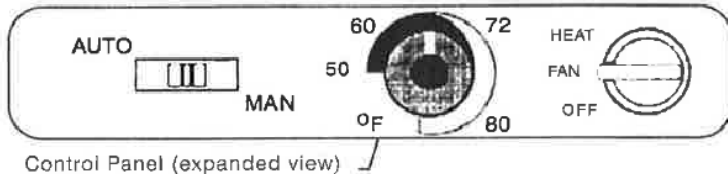
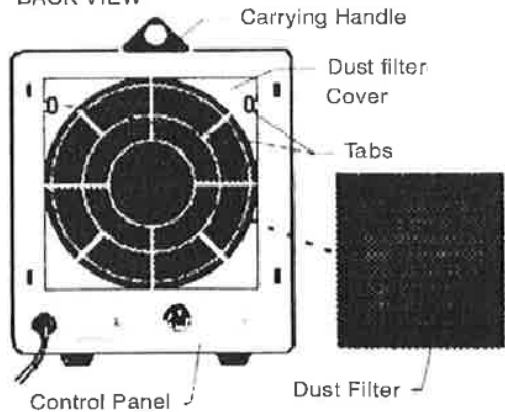
PARA RESTABLECER EL FUNCIONAMIENTO, DESENCHUFE EL APARATO Y DEJE TIEMPO PARA EL ATAJO TERMAL SOBRECALIENTAMIENTO PROTECCIÓN PARA REFRESCARSE

INSTRUCCIONES DE USO

FRONT VIEW



BACK VIEW



LUZ: la luz roja indica que la unidad está encendida.

CALOR: El ventilador y el disco de elementos de calefacción están en uso.

VENTILADOR: El ventilador hace circular el aire de la habitación las resistencias no estén en uso.

OFF: Se apaga el DiscFurnace.

AUTO: La unidad opera automáticamente a la temperatura seleccionada.

MAN: La unidad debe ser operada manualmente por el usuario..

Cómo hacer funcionar la unidad: Si quieres circular el aire de la habitación solo, debe establecer la unidad al ventilador. Si usted quiere calentar su habitación, debe establecer la unidad al calor

VENTILADOR: Para hacer circular aire, coloque el interruptor AUTO/MAN para hombre y utilice el selector de temperatura para ajustar la cantidad de flujo de aire. El modo automático no se utiliza en la configuración del ventilador.

CALOR: Para calentar la habitación, puede utilizar la unidad automáticamente en el modo automático o manual en el modo de.

En AUTO: Regular la temperatura al ajuste deseado entre 50 ° F y 80 ° F. La unidad ajustará automáticamente el calor de salida como la sala se pone caliente o frío.

En el hombre: Gire el dial a un ajuste deseado entre 50 ° F y 80 ° F. La unidad continuará funcionando en esa posición hasta que gire el dial a una posición superior o inferior. En este escenario puede cambiar la salida de calor pero la unidad no detecta la temperatura de la habitación.

¿CÓMO FUNCIONA EL AUTOMÁTICO DE LA TEMPERATURA:

En el modo automático, control automático de temperatura de la DiscFurnace monitorea los cambios en la temperatura de la sala y ajusta la salida de calor sin ciclo de encendido y apagado. Conforme su habitación se calienta, el calor gradualmente reducirá a un nivel de potencia inferior. Como tu cuarto hace más frío, el calor aumentará gradualmente a un nivel más alto de potencia. Esta es un más eficaz y más eficiente medio de calefacción que termostatos convencionales que crean ruidoso ciclismo de encendido/apagado y hechizos de frío/calor

COLOCACIÓN de la unidad en la habitación: Para obtener los mejores resultados y la calefacción más eficaz, coloque el aparato sobre el suelo aproximadamente 3 pies de distancia de cualquier pared. La unidad puede colocarse sobre moqueta.

ALMACENAMIENTO: Enrolle el cordón y asegure con sujetador plástico sobre el cable y almacene calentador en su embalaje original, en un lugar seguro donde.

Su DiscFurnace de limpieza: para limpiar el aparato, desenchúfelo primero, un paño limpio y suave humedecido para eliminar suavemente la suciedad de su superficie. No use líquidos de limpieza u otros productos químicos en el calentador. Asegúrese de que no se la mojado. Permita que la unidad se seque por completo.

LIMPIEZA del filtro de polvo: (véase la ilustración vista trasera): el filtro de polvo recoge la suciedad y el polvo del aire que circula a través de la unidad. Para limpiar el filtro, desenchufe el calentador, luego retire la cubierta del filtro de polvo tirando de las lengüetas que se encuentran a cada lado. Enjuague el filtro con agua caliente y deje que se seque completamente antes de colocarlo detrás de la unidad y vuelva a instalar la tapa del filtro.

ADVERTENCIA

No utilice la unidad en el gas de cloro, dióxido de azufre, inertes u otra reducción de atmósferas de GAS. Uso en estos entornos resultará obvio oscurecimiento/decoloración de los elementos de calefacción que eventualmente se deteriorará.

SOLUCIÓN DE PROBLEMAS

Si su calentador no funciona, por favor haga lo siguiente:

- Revise estas instrucciones para asegurar que usted entiende las operaciones básicas y las características de su calentador.
- Verifique el interruptor o fusible para un funcionamiento correcto.
- Verifique las obstrucciones. Desenchufe el aparato durante 30 minutos, despejar obstrucciones y reinicie el calentador.
- Este calentador está equipado con un dispositivo de seguridad volcadura, a reset simplemente desenchufe el aparato durante 30 minutos, ajuste la temperatura sobre una superficie plana, luego siga las instrucciones en este manual.

Nunca intente abrir o reparar el calentador usted mismo. Hacerlo puede provocar daños o lesiones personales. (Véase tarjeta de garantía para obtener más información)

ESPECIFICACIONES

Modelo NO.	BDISCO6 (todas las especificaciones de + 5% / -10% de tolerancia)
Voltaje	120V
Frecuencia	60Hz
Potencia (vatios)	1500 watts max (100%)
Corriente (amperios)	5A min 12.5A max
BTU's/Hour	2050 5200
Turbo ventilador	Industrial –rated long life

GARANTIA ELECTRICA PORTATIL de CALENTADORA

La GARANTIA LIMITADA:

Una garantía limitada es extendida al comprador original de esta calentadora y autorizaciones contra falla debido a defectos industriales por un período de

(1) un año de la fecha de la compra de la venta al por menor. Lea por favor y siga todos los detalles notados abajo.

CLAIMS HANDLED AS FOLLOWS:

1. **DENTRO DE 30 DIAS DE la COMPRA:**
 - Regresa al lugar de la compra.
2. **DESPUES DE 30 DIAS Y DENTRO DEL 1 PERIODO de GARANTIA de AÑO:**
 - Contacta nuestro Departamento de atención al cliente en 1-800-776-9425.
 - Debe tener el El número modelo, el número de serie y la fecha de la compra.
 - Le proporcionarán con instrucciones adicionales, que incluirá Repare o el reemplazo en nuestra opción.

**LLAME 1-800-776-9425 PARA el SERVICIO (9AM-6PM Lunes-Viernes)
PEMAIL EEUU EN información@worldmking.com**

Los DEBERES DEL PROPIETARIO:

Este aparato de la calefacción debe ser operado de acuerdo con las instrucciones escritos amuebladas con esta calentadora. Esta garantía no dispensará al propietario de mantener apropiadamente esta calentadora de acuerdo con las instrucciones escritos amueblados con esta calentadora. Una escritura de venta, registro de cheque pagado o pago debe ser mantenido para verificar la compra la fecha y establecer el período de garantía. El cartón original debe ser mantenido en caso del regreso de garantía de la unidad.

LO QUE no ES CUBIERTO:

1. El daño causado por maltrato o utiliza al contrario del manual de propietarios y pautas de seguridad.
2. El daño causado por una falta de mantenimiento normal.
3. Repare por una persona no autorizada.
4. El daño causado por conexión a un voltaje impropio.
5. Dañado causado por el uso fuera.

Las LIMITACIONES:

Esta garantía no implica ni asume responsabilidad para daños consecuentes que pueden resultar del uso, del maltrato, o de la falta de mantenimiento rutinario de este aparato de la calefacción. Un honorario de limpieza y el costo de partes pueden ser cargados para fracasos de aparato que resultan de la falta de mantenimiento. Esta garantía no cubre reclamos, que no implican habilidad ni materiales defectuosos. El INCUMPLIMIENTO MANTENIMIENTO GENERAL (INCLUSIVE LIMPIEZA) VACIARA ESTA GARANTIA.

ESTA GARANTIA LIMITADA ES DADA AL COMPRADOR EN VEZ DE TODAS LAS OTRAS GARANTIAS, EXPRESADO O IMPLICITO, INCLUSIVE PERO no LIMITADO A LAS GARANTIAS DE COMERCIALIZACION DE la SALUD PARA UN PROPOSITO PARTICULAR. EL REMEDIO PROPORCIONADO EN ESTA GARANTIA ES EXCLUSIVO Y GRANT EN VEZ DE TODOS LOS OTROS REMEDIOS. EN ningún ACONTECIMIENTO HACE MARKETING de MUNDO DE AMERICA ES RESPONSABLE DE el CASUAL O DAÑOS CONSECUENTES.

Algunos estados no permiten limitaciones en cuánto tiempo una garantía implícita dura, así que la limitación antes mencionada no le puede aplicar. Algunos estados no permiten la exclusión ni la limitación de daños casuales ni consecuentes tan que la limitación ni exclusión antes mencionadas no le pueden aplicar.

**SIEMPRE OBSERVE que ESTAS MEDIDAS DE SEGURIDAD AL OPERAR
SU HORNO de la SEGURIDAD**

Siempre Lea todas las instrucciones antes de operar

Siempre Sitúe su horno lejos de muebles o afloje cortinas colgantes.

Siempre Mantenga la parrilla trasera lejos de paredes o cortinas por no bloquear la toma de aire. (Si aplicable)

Siempre Desenchufe horno cuando no en uso

Siempre Utilice horno en una superficie seca plana

Siempre Utilice en 110-120 voltio 60 alimentación de Hz C.A.

Siempre Dirija la cuerda tan no será pisado tropezado sobre ni pellizcado por muebles

Siempre Mantenga cuerdas eléctricas, las cortinas y otro mobiliario lejos de su horno

Siempre Mantenga su horno limpia y el filtro libre de polvo. (Si aplicable)

Siempre Utilice dentro sólo

SIEMPRE OBSERVE que ESTAS MEDIDAS DE SEGURIDAD AL OPERAR SU HORNO de la SEGURIDAD

- Nunca** cortinas de Lugar, la ropa ni las toallas sobre horno para secar
- Nunca** Uso en la presencia de explosivo ni vapores flamables como gas ni pinta
- Nunca** Tape otro electrodoméstico en el mismo circuito. Los fusibles soplados, peligros tropezados de circuitos y fuego pueden resultar.
- Nunca** agua de Uso ni líquidos para limpiar su horno.
- Nunca** Permita toque descubierto de piel superficies calientes como esto puede causar quemaduras
- Nunca** Deje horno desatendido.
- Nunca** horno de Hoja cuando niños ni animales favoritos son presentes
- Nunca** Sitúe horno donde puede caerse en una tina de baño u otros contenedores de agua.
- Nunca** Opere horno con una cuerda dañada, el tapón ni después de que el horno falle, ni haya sido dejado caer o ha sido dañado en cualquier manera.
- Nunca** Corra cuerda bajo alfombrar ni cobertura con tapetes de tiro ni corredores.
- Nunca** Inserte ni permita objetos extranjeros entrar cualquier ventilación ni agotar aperturas, como esto puede causar un golpe eléctrico, el fuego o el daño.

Para su registro, cosa con una grapa su recibo de ventas a este manual y registra lo Siguiete:

La FECHA DE la COMPRA: _____

EI LUGAR DE la COMPRA: _____

EI NUMERO DE SERIE: _____

(PECEIPTE BASICO AQUI)

La NOTA: EI COMPROBANTE DE COMPRA ES REQUERIDO PARA

Impreso en China

© 2018 Comfort Home Products Inc, Todos los derechos reservados