

INSTALLATION INSTRUCTIONS

For CORNER SURROUND AND HEARTH

READ INSTRUCTIONS BEFORE BEGINNING INSTALLATION. Check to see that you have the following. If any part or parts are missing, contact the dealer where you bought the Surround and Hearth.

CONTENTS:

	Part number	Description	QTY		Part number	Description	QTY
1	UB28T-01	Surround top	1	10	29.2-4X8 Z	Hex screw	4
2	UB28T-02	Breast plate	1	11	6170-4 Z	Hex nut	4
3	UB28T-03A	Left side	1	12	PL050-01	Wall anchor	4
4	UB28T-03B	Right side	1	13	PL067-01	Red key	1
5	UB28T-04	Mounting strip	2	14	UB28T-30	Finishing nail	4
6	UB28T-05	Base	1	15	14210-4.X50B	2" screw	4
7	BB012-02C	Upper trim assy	1	16	951-4X16Z	5/8 " screw	17
8	BB013-02CA	Left trim assy	1	17	UB28T-19	Net-screw	4
9	BB013-02CB	Right trim assy	1	18	UB28T-20	Fastener	4

TOOLS REQUIRED:
 Measuring Tape
 Pencil
 Level
 #2 Phillips Screw Driver
 Hammer
 Electric Drill
 5/6" Drill Bit
 Hand or Electric Saw

INSTALLATION:

1. Surround must be installed flush with wall. Baseboards will prevent proper installation of surround. Baseboards can be altered to fit surround by cutting that part within 34 1/2" distance from the wall corner.
2. Surround must be attached to either a wall stud or wall anchor. Use a tape measure to determine correct height from floor to location of mounting strips (.See Figure 1). Make sure point of the mitered edge of mounting strip touches the corner. Use a level to ensure mounting strips are evenly balanced.

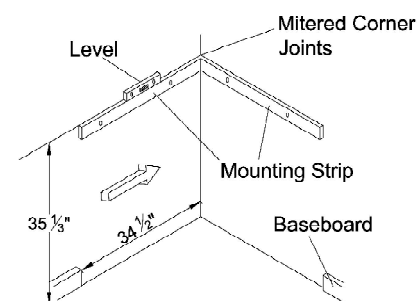


Figure 1

IMPORTANT: Failure to balance mounting strips with a level could result in uneven surfaces on fully assembled surround.

3. Fasten mounting strip to wall by inserting 2" screws provided along the predrilled holes of mounting strip. If predrilled holes of mounting strip do not line up with wall studs, drill new holes where wall studs are or attach to wall with wall anchors. (See Step 4 below.)
4. To use wall anchors, drill holes at marked location using 5/16" drill bit. Fold wall anchor (see Figure 2) and insert (wings first) into hole. Tap anchor flush into wall. For thin walls, insert red key into wall anchor and push to "pop" open anchor wings (see Figure 3).
5. Repeat steps above to attach other Mounting strips to wall. Make sure mitered edges fit together to form a clean joint in the corner of the wall.

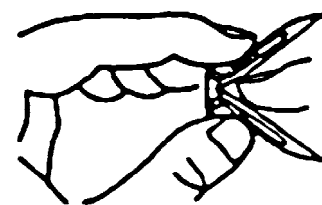


Figure 2

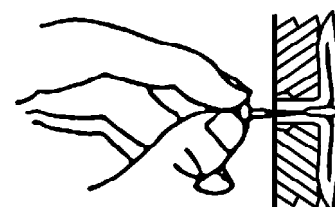


Figure 3

6. Screw the net-screws through the holes in the right and left sides (See Figure 4), and then into the corresponding holes in the breast plate. Fasten net-screw by screwing the fastener clockwise along the arrow direction pointing where net-screw is to the holes in the back of breast plate. Keep the right and left sides close to the breast plate, then attach them to the breast plate with 5/8" screws. (See Figure 5)
7. Attach the right and left trim assembly to the upper trim assembly with Hex screws and hex nuts. (See Figure 6)
8. Attached the assembled trim assembly to the inside fringe formed by the breast plate and the right and left sides. (See Figure 7)
9. Place the assembled fireplace on the middle where it is 30" from the corner and form a 45 degree angle to each side wall. Move the assembled surround to the corner, with side panels close to side walls. Move the fireplace to where it can properly attach the surround.
10. Move the surround away, mark floor or wall behind fireplace for gas line entrance. Connect inlet gas pipe.
IMPORTANT: Make sure there are no electrical lines where gas piping will go through floor or wall.
11. Install fireplace per Homeowner's Installation Manual
12. Move the surround back. Set surround top on top of mounting strips and surround. After properly installing the top, attach surround top to mounting strip using finishing nails.
13. Push the base to the bottom of surround, close to the right and left sides.

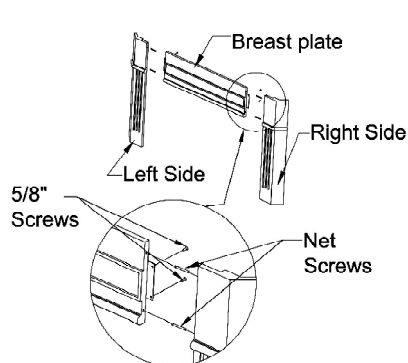


Figure 4

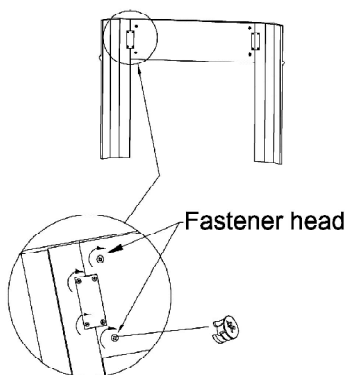


Figure 5

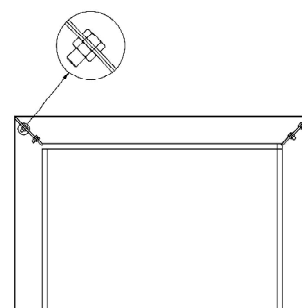


Figure 6

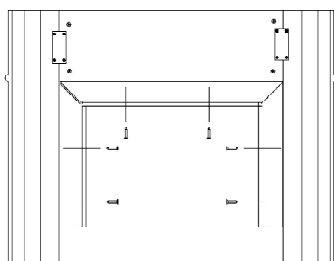


Figure 7

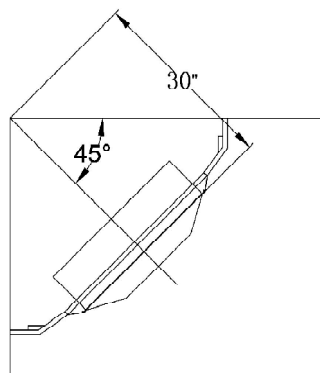


Figure 8

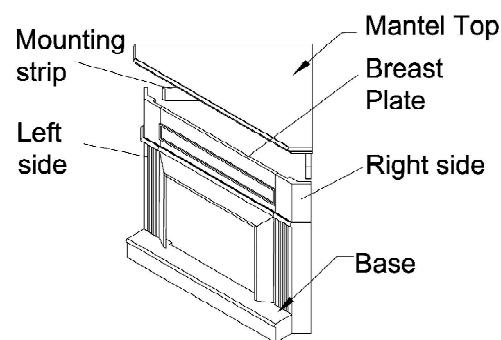


Figure 9