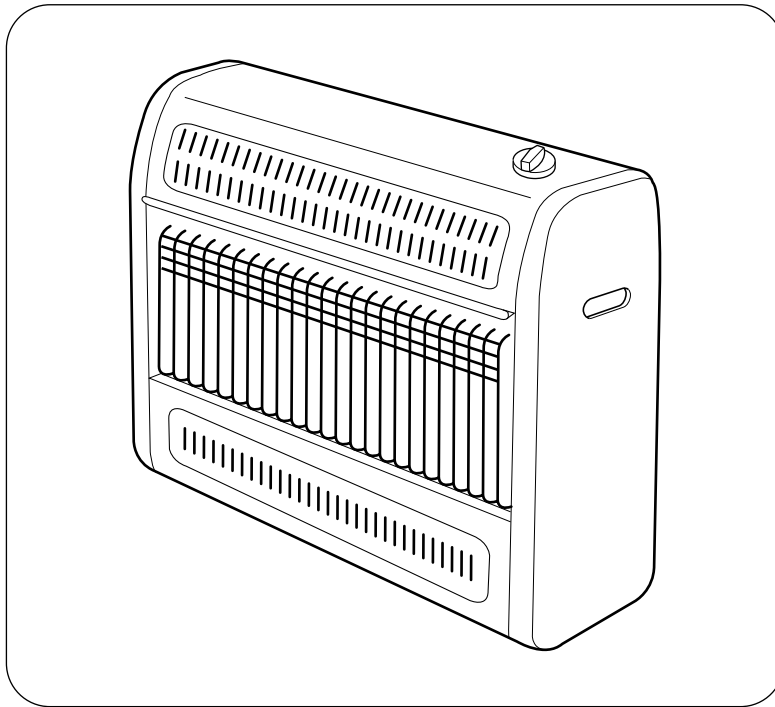


Kozy-World® VENT-FREE GAS-FIRED ROOM HEATER

USER'S OPERATION AND INSTALLATION MANUAL

MODELS:KW(N311,P312)-30,000 BTU/HR
AND KW(N181,P182)-18,000 BTU/HR



WARNING: If the information in this manual is not followed exactly, a fire or explosion may result causing property damage, personal injury, or loss of life.

- Do not store or use gasoline or other flammable vapors and liquids in the vicinity of this or any other appliance.
- **WHAT TO DO IF YOU SMELL GAS**
 - Do not try to light any appliance.
 - Do not touch any electrical switch; do not use any phone in your building.
 - Immediately call your gas supplier from a neighbor's phone. Follow the gas supplier's instructions.
 - If you cannot reach your gas supplier, call the fire department.
- Installation and service must be performed by a qualified installer, service agency or the gas supplier.

- **INSTALLER : LEAVE THIS MANUAL WITH THE CONSUMER**
- **CONSUMER : RETAIN THIS MANUAL FOR FUTURE REFERENCE**

WORLD MARKETING OF AMERICA, INC.
PO Box 192, Route 22 West, Mill Creek, PA 17060-0192
www.worldmktng.com

CONTENTS

SECTION I-	General Safety Instructions	3
SECTION II-	Product Identification	4
SECTION III-	Local Codes/National Fuel Code	4
SECTION IV-	Unpacking the Heater Package	5
SECTION V-	Product Features	5
SECTION VI-	Fresh Air for Combustion and Ventilation	5
	Installation	6
SECTION VII-	Gas Requirements	10
SECTION VIII-	Leak Checking	11
SECTION IX-	Operating the Heater	12
SECTION X-	Inspecting Burner & Pilot Burner Flames	15
SECTION XI-	Care And Maintenance	16
SECTION XII-	Troubleshooting	17
SECTION XIII	Specifications	20
SECTION XIV-	Accessories	20
SECTION XV-	Parts List	21
SECTION XVI-	Warranty Information	

GENERAL SAFETY INSTRUCTIONS:

SAFETY : Accidents are always tragic especially because so many of them could have been prevented with a little care and judgment. There are some basic good practices we hope you will follow for safe use of your gas-fired room heater.

IMPORTANT : Read this user's manual carefully and completely before trying to assemble, operate, or service this heater. Improper use of this heater can cause serious injury or death from burns, fire, explosion, electrical shock, and carbon monoxide poisoning.

Early signs of carbon monoxide poisoning resemble the flu, with headaches, dizziness, or nausea. If you have these signs, the heater may not be working properly. **Get fresh air at once!** Have heater serviced. Some people are more affected by carbon monoxide than others. There include pregnant women, people with heart or lung disease or anemia, those under the influence of alcohol, and those at high altitudes.

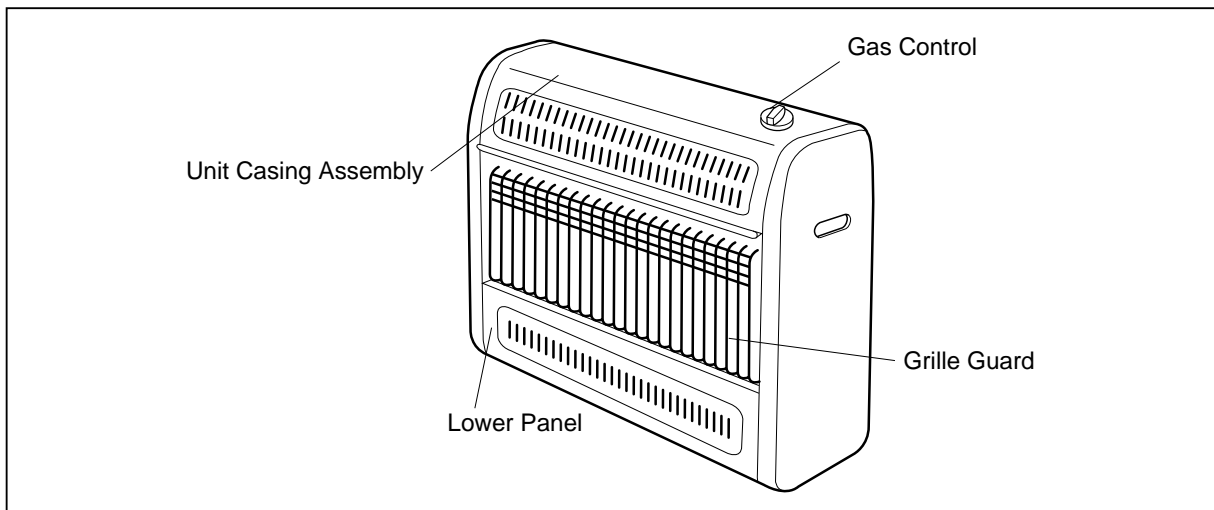
Begin by insuring proper installation and servicing. Follow the installation instructions provided with this product. Have your heater installed by a qualified technician. Have the installer show you where the gas supply shut off valve is located so that you know where to shut off the gas to the heater. If you smell gas, your installer has not done a proper job of checking leaks. If the connections are not perfectly seated or tightened, you may have a leak and therefore a faint gas smell. Finding a leak is not a **DO-IT-YOURSELF** procedure. Some leaks can only be found with the main burner gas on and this must be done by a qualified technician.

PRECAUTIONS:

- * Never use natural gas in a unit designed for liquefied petroleum gases.
- * Never use liquefied petroleum gases in a unit designed for natural gas.
- * Check all joints and connections. To avoid the danger of fire, accident or explosion, never check a potential gas leak with an open flame.
- * This heater shall not be installed in a bedroom or bathroom.
- * Never install the heater in any of the following locations:
 - Recreational vehicle
 - Where curtains, furniture, clothing, or other flammable objects are less than 36 inches from the front, top, or sides of the heater
 - Fireplace
 - High traffic area
 - Drafty areas
- * This heater needs fresh, outside air for ventilation to run properly. This heater has an oxygen depletion sensor(ODS)pilot light safety system. The ODS shuts down the heater if not enough fresh air/oxygen content(18%)is available.
- * Never run heater in confined space. Open a door to an adjoining room to help ventilate(For air openings, see National Fuel Code).

- ☛ If heater shuts off, do not relight until you provide fresh, outside air. If heater keeps shutting off, have it serviced.
- ☛ Do not run heater where :
 - Flammable liquids or vapors are used or stored.
 - Dusty condition exists.
- ☛ Never place any objects on the heater.
- ☛ Supervise children when they are in the same room with heater, never allow them to sit, stand or play on or around the heater.
- ☛ Make sure grille guard is in place before running heater.
- ☛ Do not use heater if any part has been under water. Immediately call a qualified service technician to inspect the room heater and to replace any part of the control system and any gas control which has been under water.
- ☛ Keep appliance area clear and free from combustible materials, gasoline and other flammable vapors and liquids.
- ☛ Turn off heater and let cool before servicing. Only a qualified technician should service and repair heater.

PRODUCT IDENTIFICATION:



LOCAL CODES

Install and use heater with care. Follow all local codes in the absence of local codes, use the latest edition of the National Fuel Gas Code ANSI Z223.1, also known as NFPA54*

* Available from:

American National Standards Institute, Inc.

1430 Broadway

New York, NY 10018

National Fire Protection Association, Inc.

Batterymarch Park

Quincy, MA 02269

UNPACKING:

1. Remove heater from carton.
2. Remove all protective packaging applied to heater for shipment.
3. Check heater for any shipping damage. If heater is damaged, promptly inform dealer/distributor where you bought heater.

PRODUCT FEATURES:

Safety Device

This heater has a pilot with an Oxygen Depletion Sensor Shutoff System (ODS).

The ODS pilot is a required feature for vent-free room heaters. The ODS pilot shuts off the heater if the normal air oxygen content is reduced to 18%.

Piezo Ignition System

This heater has a piezo ignitor. This system requires no matches, batteries, or other sources to light heater.

FRESH AIR FOR COMBUSTION AND VENTILATION:

- ☛ **WARNING :** This heater must have fresh air for proper operation. If not, poor fuel combustion could result. Read the following instructions to insure proper fresh air for this and other fuel-burning appliances in your home.

ADEQUATE COMBUSTION/VENTILATION AIR

All spaces in homes fall into one of the three following ventilation classifications:

- **Unusually Tight Construction :** The air that leaks around doors and windows may provide enough fresh air for combustion and ventilation. However, in buildings of unusually tight construction, you must provide additional fresh air. Unusually Tight Construction is defined as construction where:
 - Walls and ceilings exposed to the outside atmosphere have a continuous water vapor retarder with a rating of one perm or less with openings gasketed or sealed and
 - Weather stripping has been added on openable windows and doors
 - Caulking or sealants are applied to areas such as joints around window and door frames, between sole plates and floors, between wall-ceiling joints, between wall panels, at penetrations for plumbing, electrical and gas lines, and at other openings.

- **Unconfined Space**

An unconfined space whose volume is not less than 50 cubic feet per 1,000 BTU/HR of the aggregate input rating of all appliances installed in that space. Rooms communicating directly with the space in which the appliances are installed, through openings not furnished with doors are considered a part of the unconfined space.

- **Confined Space**

A confined space whose volume is less than **50 cubic feet for each 1,000** BTU/HR of the aggregate input rating of all appliances in that space.

⚠ **WARNING** : You must provide additional ventilation air in a confined space.

For proper operation of the unit, provide fresh air opening(s) to the room. Follow the National Fuel Code NFPA 54 / ANSI Z223.1, for required size of combustion and ventilation openings.

➤ **NOTICE** : A qualified service person must install heater. Follow all local codes.

➤ **CHECK GAS TYPE** : Verify the type of gas supply to be used, either natural or LP(Propane), and make sure the marking on the appliance rating plate agrees with that of the supply gas. The rating plate is located on the side of the heater, which indicates the type of gas that heater is orificed for.

➤ **ITEMS NEEDED FOR HEATER INSTALLATION:** Before installing heater, make sure you have the items listed below:

- Gas Piping (check local codes.).
- Test gauge connection
- Sealant (resistant to LP gases)
- Manual shutoff valve*
- Sediment trap
- Ground joint union
- Tee joint and pipe wrench

An installer supplied, design-certified manual shutoff valve with 1/8" NPT tap connection.

LP gases installation, also requires an installer supplied, design certified gas pressure regulator.

LOCATING HEATER:

This heater is designed to be mounted on a wall. Heater can be located on floor, away from a wall. An optional floor mounting base is needed, purchase the floor mounting base from your dealer.

⚠ **WARNING** : Never install the heater

- in a bedroom or a bathroom
- in a recreational vehicle
- where curtains, furniture, clothing, or other flammable objects are less than 36 inches from the front, top, or sides of the heater
- as a fireplace insert

- in high traffic areas
- in windy or drafty areas

➤ **IMPORTANT :** Vent-free heaters add moisture to the air. Although this is beneficial, installing heater in rooms without enough ventilation air may cause mildew formation from too much moisture content. See National Fuel Code for Fresh Air for Combustion and Ventilation.

This appliance may be installed in an aftermarket* manufacture (Mobile) home, where not prohibited by state or local codes.

*Aftermarket : Completion of sale, not for purpose of resale, from the manufacturer.

This appliance is only for use with the type of gas indicated on the rating plate. This appliance is not convertible for use with other gases.

➤ **CAUTION :**

If you install the heater in a home garage:

- Heater must be at least 18 inches above floor.
- Locate heater where moving vehicle will not hit it.

Preparing For Installation

Select a location for the heater that will provide maximum exposure of the radiant surface to the room, but will not be subjected to accidental contact.

Adequate clearance must be available around the air opening. See figures 1 & 2 for clearances that must be maintained to the side walls, floor and horizontal surface surrounding the heater.

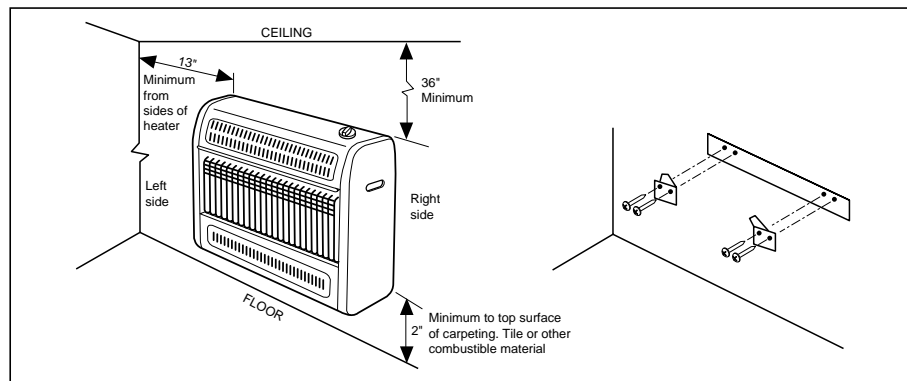


Figure 1

Figure 2

Attaching Mounting Brackets To Wall

Note: Wall anchors, mounting screws, and spacers are in hardware package. The hardware package is provided with heater

1. Install mounting brackets on wall as shown in Figure 2. Use enclosed “paper template” for proper location of holes. It may be necessary to use plastic or lead anchors for plaster walls.
2. Drill holes at marked locations using 9/64" drill bit.
3. Insert mounting screws through bracket and into wall studs.
4. Tighten screws until mounting bracket is firmly fastened to wall studs.

Attaching to wall anchor method

For attaching mounting bracket to hollow walls(wall areas between studs) or solid walls(concrete or masonry):

1. Drill holes at marked locations using 5/16" drill bit. For solid walls(concrete or masonry), drill at least 1 inch deep.
2. Insert the plastic anchor as shown in Figure 3 below:

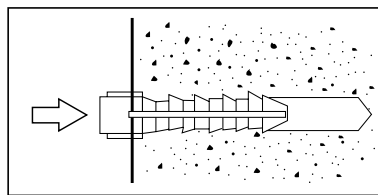


Figure 3

3. Tap anchor flush to wall as shown in Fig.4

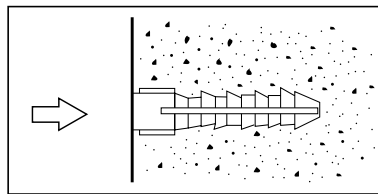


Figure 5

4. Insert mounting screws through each bracket and into wall anchors.
5. Tighten screws until mounting bracket is firmly fastened to wall.

Installing Bottom Mounting Screws

1. Locate two bottom mounting holes. These holes are near bottom on back panel of heater(See Figure 5).
2. Mark screw locations on wall.
3. Remove heater from mounting bracket.
4. If installing bottom mounting screws into hollow or solid wall, install wall anchors. Follow steps 1 through 4 under Attaching To Wall Anchor Method, page 8. If installing bottom mounting screw into wall stud, drill holes at marked locations using 9/64" drill bit.
5. Replace heater onto mounting bracket.
6. Place spacers between bottom mounting holes and wall anchor or drilled hole.
7. Hold spacer in place with one hand. With other hand, insert mounting screw through bottom mounting hole and spacer. Place tip of screw in opening of wall

anchor or drilled hole.

8. Tighten both screws until heater is firmly secured to wall. Do not over tighten.

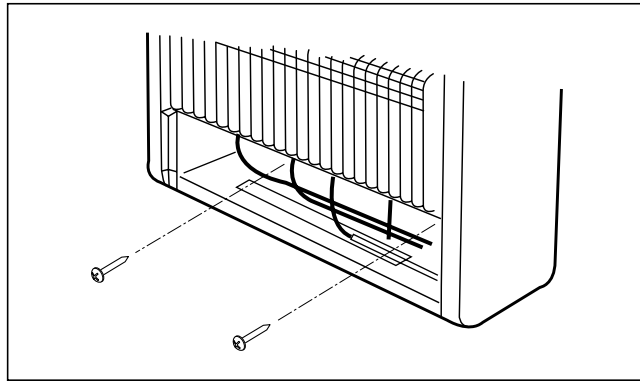


Figure 5

1. Clearance requirements from surface of carpeting, tile or other combustible material(See Figure 1.).

Wall Mounted & Floor Mounted With Base Provided

Rear	0 Inches
Sides	13 Inches
Top	36 Inches
Floor	2 Inches

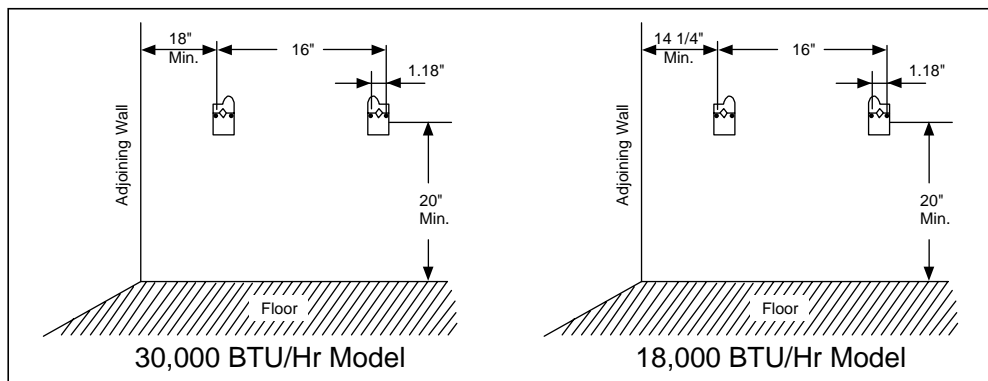


Figure 6

NOTICE:

Maintain the minimum clearances shown in Figure 1, but you can provide greater clearances from floor, ceiling and adjoining wall.

2. After mounting brackets are installed, hang heater on mounting brackets in holes provided at the rear of heater(See Figure 7.).

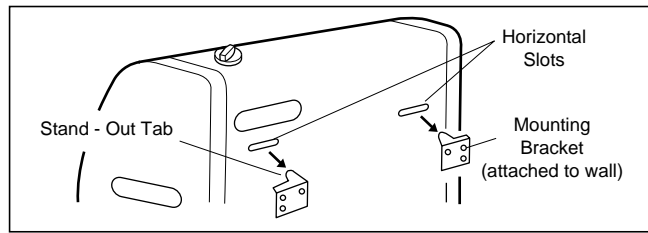


Figure 7

3. Installation and repair should be done by a qualified service person. The room heater should be inspected before use and at least annually by a professional service person. More frequent cleaning may be required due to excessive lint from carpeting and other materials. It is imperative that the control compartments, burners and circulating air passageways of the heater be kept clean.

CONNECTING TO GAS SUPPLY :

- ⚠ **WARNING :** Never connect an unregulated gas line to the heater.

An installer supplied, design certified gas pressure regulator must be installed to bring the gas supply pressure down to 14 inches of water column.

- **IMPORTANT :** Check gas line pressure before connecting heater to gas line. Gas line pressure must not be higher than 14 inches of water. If gas line pressure is higher, heater gas pressure regulator damage could occur.

- ⚠ **CAUTION :** Use only new, black iron or steel pipe and internally-tinned copper tubing may be used in certain areas. Check your local codes. Use pipe of large enough diameter to allow proper gas volume to heater. If pipe is too small, undue pressure loss will occur.

Typical Gas Supply Pipe Diameters

18,000 BTU/HR Model 3/8" or greater

30,000 BTU/HR Model 3/8" or greater

- ⚠ **CAUTION:**
Use pipe joint sealant that is resistant to liquefied petroleum gases.

Install sediment trap in supply line as shown in Figure 8 Gas Connection. Locate sediment trap where it is within reach for cleaning. Locate sediment trap where trapped matter is not likely to freeze. A sediment trap traps moisture and contaminants. This keeps them from going into heater controls. If sediment trap is not installed or is installed wrong, heater may not run properly.

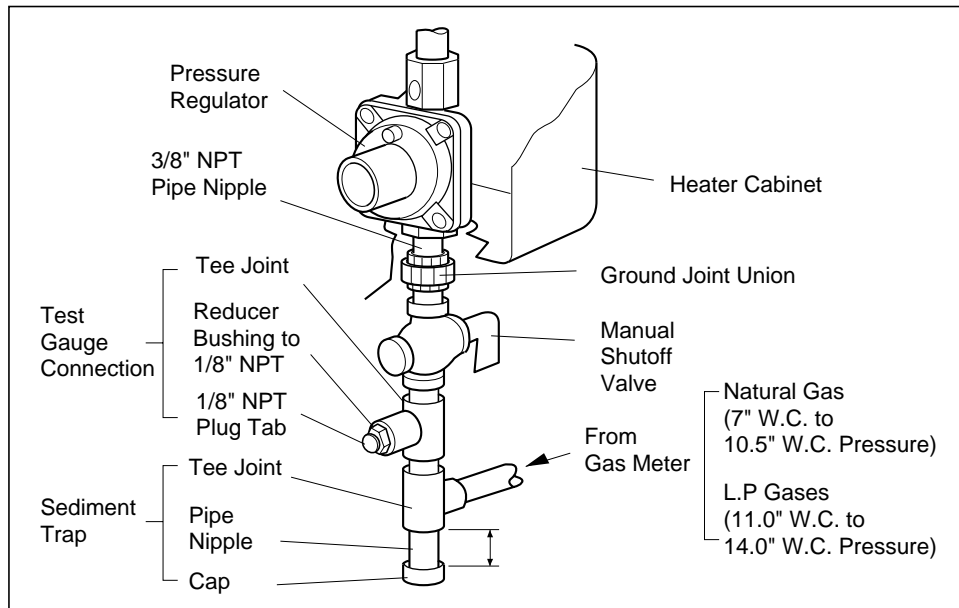


Figure 8

LEAK CHECKING:

GENERAL : Although all gas connections on the heater are leak tested at the factory prior to shipment, a complete gas tightness check must be performed at the installation site due to possible mishandling in shipment, or excessive pressure unknowingly being applied to the appliance. Periodically check the whole system for leaks, or immediately check if the smell of gas is detected.

BEFORE TESTING

Do not smoke while leak testing. Extinguish all open flames.

Make a soap solution of one part liquid detergent and one part water. You will need a spray bottle, brush or a piece of rag to apply the solution to the fittings.

For LP units, check with a full cylinder.

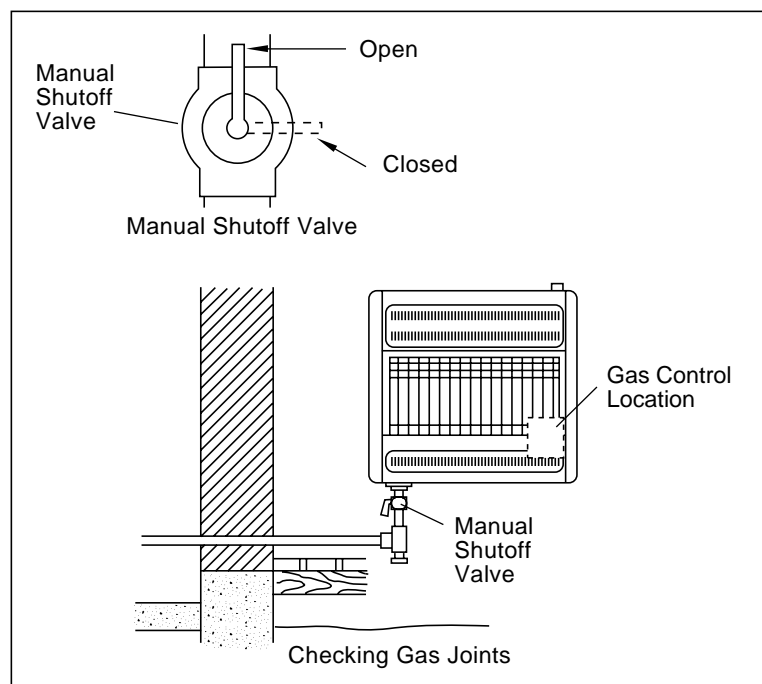
☛ **CAUTION : NEVER LEAK TEST WITH AN OPEN FLAME**

PRESSURE TESTING-GAS SUPPLY PIPING SYSTEM

- The appliance and its individual shutoff valve must be disconnected from the gas supply piping system during any pressure testing of that system at test pressures in excess of 1/2 psig.
- The appliance must be isolated from the gas supply piping system by closing its individual manual shutoff valve during any pressure testing of the gas supply piping system at test pressures equal to less than 1/2psig.

LEAK TESTING HEATER GAS CONNECTIONS:

1. Open manual shutoff valve.
2. Open main gas valve located near gas meter.
3. Make sure control knob of heater is in the **OFF** position.
4. Check all joints from manual gas valve up to gas control and including the manifold assembly. Apply the soap solution around the connections, valve and tubing. Soap bubbles will appear where a leak is present.
5. If a leak is present, immediately turn off gas supply, tighten any leaky fittings, turn gas on and recheck.
6. To check burner and safety valve, the burner must be lit (See operating Instructions.). Check the rest of the connections for leaks.
7. Turn off the heater (See Instructions.).



➤ **NOTE:**

Never use an open flame to check for a leak. Apply a mixture of liquid soap and water to all joints. Bubbles forming show a leak. Correct all leaks at once.






OPERATING HEATER:

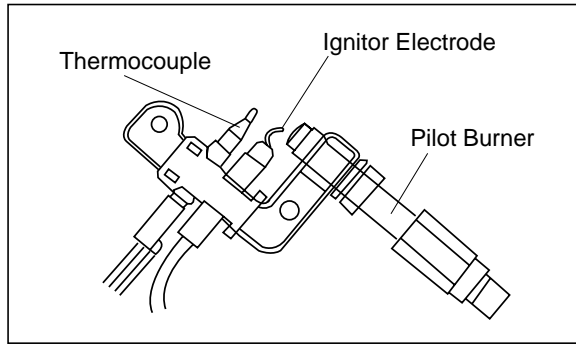
🔥 **WARNING:**

- Before lighting smell all around the appliance area for gas. Be sure to smell next to the floor because some gas is heavier than air and will settle on the floor. If you smell gas, follow the Safety Instructions on the front page and under Section I.

- Use only your hand to push in or turn the gas control knob. Never use tools. If the knob will not push in or turn by hand, don't try to repair it, call qualified service technician or gas supplier. Force or attempted repair may result in a fire or explosion.
- Do not use this appliance if any part has been under water. Immediately call a qualified service technician to inspect the appliance and replace any part of the control system and any gas control component which has been under water.

LIGHTING INSTRUCTIONS:

1. Read the aforementioned safety information.
2. Make sure manual shutoff valve is fully open.
3. Push in gas control knob slightly and turn clockwise  to the **OFF** position.
4. Wait five minutes to clear any gas. Then smell for gas, including near the floor. If you smell gas, follow the safety information on the front page. If you don't smell gas, go to the next step.
5. Push in gas control knob slightly and turn counterclockwise  to "PILOT/IGN" and depress for five(5) seconds.
NOTE : The first time that the heater is operated after connecting the gas supply, the control knob should be depressed for about thirty(30) seconds. This will allow, air to bleed from the gas system.
6. Release control knob pressure and turn clockwise  to "OFF".
7. Depress control knob while OFF, then turn back to  PILOT/IGN.
This should cause the spark from the piezo ignitor to light the pilot gas.
Keep control knob depressed for ten(10) seconds before releasing. If pilot does not light, repeat steps 5, 6 and 7 or use a match.
8. To select the heating level desired, partially press down the control slightly and rotate counterclockwise  .
Release the downward Pressure on the knob while continuing to turn until the knob locks at the desired setting position. Do not operate between the locked position.

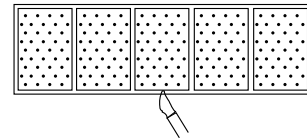
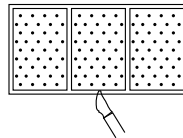
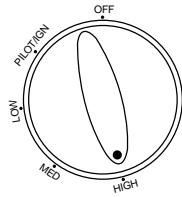
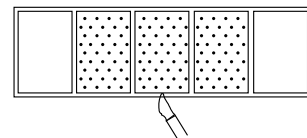
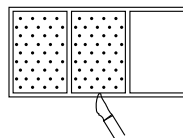
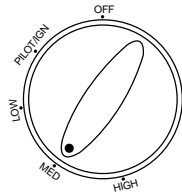
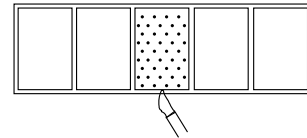
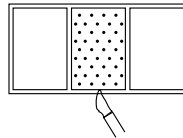
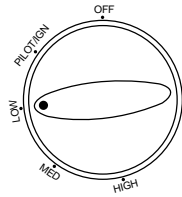
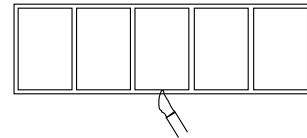
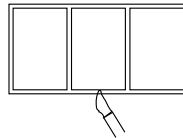
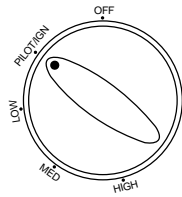
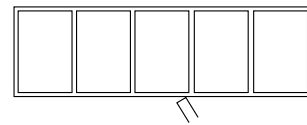
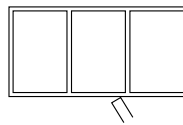
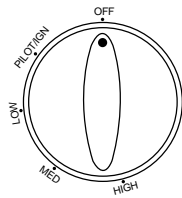


- **WARNING :** When running heater, set control knob at the P, LOW, MED, HIGH locked positions.
Never set control knob between locked positions. Poor combustion and higher levels of carbon monoxide may result.
- **CAUTION :** Do not try to adjust heating levels by using the manual shutoff valve.

CONTROL KNOB


KW(N181,P182)

KW(N311,P312)




TURNING OFF GAS TO HEATER


Shutting Off Heater

- Turn control knob clockwise  to the OFF position.

Shutting Off Burner Only (Pilot stays lit)

- Turn control knob clockwise  to the PILOT position.

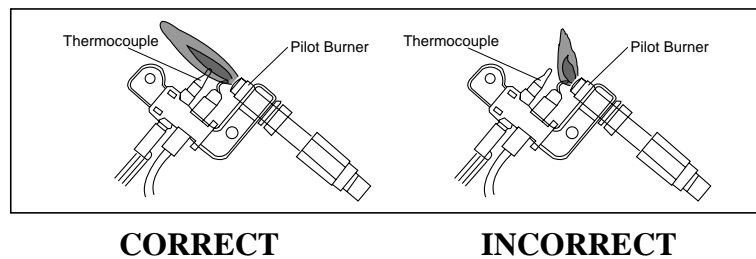
MANUAL LIGHTING INSTRUCTIONS

1. Remove lower front panel.
2. Follow steps 1 through 4 as stated under Lighting Instructions.
3. Press and turn control knob counterclockwise  to the PILOT position.
4. With control knob pressed in, strike match, hold match to pilot until pilot lights.
5. Keep control knob pressed in for 30 seconds after lighting pilot. After 30 seconds, release control knob.
6. Replace lower front panel.

INSPECTING MAIN BURNER AND PILOT BURNER

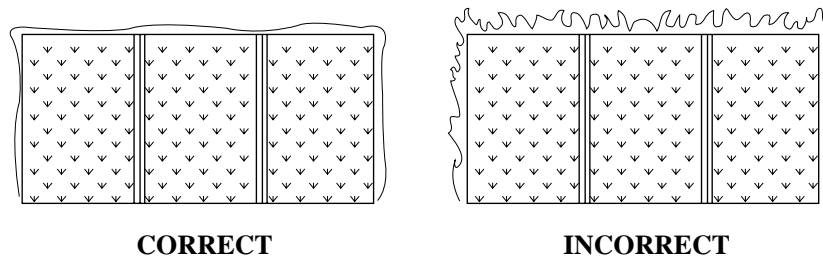
Pilot Flame Pattern

The following figures show a correct and incorrect flame patterns. The incorrect flame is not touching the thermocouple. This will cause a nuisance shut down.



If pilot flame pattern is incorrect as shown above, turn heater off and refer to troubleshooting guide.

Main Burner Flame Pattern



⚠ WARNING :

If yellow tipping occurs, your heater could produce increased levels of carbon monoxide. If burner flame pattern shows yellow tipping, follow instructions at bottom of this page.

- **NOTICE :** Do not mistake orange flames with yellow tipping. Dirt or other particles etc. enter the heater and causing transient patches of orange flame.

CARE AND MAINTENANCE :

Dust, lint or debris may affect heater performance. The heater draws air into it during normal operation. In the process dust, lint or debris will be drawn into the heater and spider webs can build up during off season. Keeping burner, gas control and combustion and circulating air passageways clean. Inspect or have these areas inspected annually at the beginning of the heating season by a qualified service person. Room heater may require frequent cleaning due to excessive lint or debris depending upon the surroundings.

BEFORE CLEANING - Ensure the gas supply is off and the gas control knob is in the off position. Make sure the heater is cool.

WARNING:DANGER OF BODILY INJURY

If fan assembly accessory is used, turn off power supply at disconnect switch or service panel before removing any access panels from heater.

BURNER AND ODS PILOT CLEANING - Clean the exterior with soft bristle brush, vacuum cleaner pressurized air. Never use a wooden toothpick as it may break off and clog the ODS pilot or main burner port.

Use a flashlight to inspect the main burner inlet to ensure it is not blocked. If obstruction can be seen, use a metal wire coat hanger that has been straightened out.

In order to clean ODS pilot orifice, use pressurized air to blow dust out. Sometimes blowing air backwards through the pilot will get rid of the accumulated dirt. If that does not work, blow out any dust through primary air openings of pilot assemblies(Daemyeong has two openings; one beneath the bimetal strip and the second one opposite from bimetal strip. Use the one wide open, do not try to lift the bimetal.).

AIR PASSAGEWAYS AND UNIT CASINGS - Use a vacuum cleaner or pressurized air to clean the combustion and circulating air passageways and dampened cloth to clean the cabinet/casing.

TROUBLESHOOTING

PROBLEM	POSSIBLE CAUSE	WHAT TO DO
When ignitor button is pressed in, there is a spark at ODS/Pilot but no ignition.	<ol style="list-style-type: none"> 1. Gas supply turned off or manual shutoff valve closed. 2. Control knob not in pilot position. 3. Control knob not pressed in while in pilot position. 4. Air in gas lines when installed. 5. ODS/Pilot is clogged. 6. Gas regulator setting is not correct. 	<ol style="list-style-type: none"> 1. Turn on gas supply of open manual shutoff valve. 2. Turn control knob to pilot position. 3. Press in control knob while in pilot position. 4. Continue holding down control knob. Repeat igniting operation until air is removed. 5. Clean ODS/Pilot or replace ODS/Pilot assembly. 6. Replace gas regulator.
ODS/pilot lights but flame goes out when control knob is released.	<ol style="list-style-type: none"> 1. Control knob not fully pressed in. 2. Control knob not pressed in long enough. 3. Manual shutoff valve not fully open. 4. Thermocouple connection loose at control valve. 5. Pilot flame not touching thermocouple, which allows thermocouple to cool, causing pilot flame to go out. This problem could be caused by one or both of the following: A) Low gas pressure B) Dirty or partially clogged ODS/pilot 6. Thermocouple damaged. 7. Control valve damaged. 	<ol style="list-style-type: none"> 1. Press in control knob fully. 2. After ODS/pilot lights, keep control knob pressed in 30 seconds. 3. Fully open manual shutoff valve. 4. Hand tighten until snug, then tighten 1/4 turn more. 5. A) Contact local natural gas company. B) Clean ODS/pilot or replace ODS/pilot assembly. 6. Replace thermocouple. 7. Replace control valve.

PROBLEM	POSSIBLE CAUSE	WHAT TO DO
Burner(s) does not light after ODS/pilot is lit.	<ol style="list-style-type: none"> 1. Burner orifice(s) is clogged. 2. Burner orifice(s) diameter is too small. 3. Inlet gas pressure is too low. 	<ol style="list-style-type: none"> 1. Clean burner orifice(s) or replace burner orifice(s). 2. Replace burner orifice(s). 3. Contact local natural gas company.
Delayed ignition of burner(s)	<ol style="list-style-type: none"> 1. Manifold pressure is too low. 2. Burner orifice(s) is clogged. 	<ol style="list-style-type: none"> 1. Contact local natural gas company. 2. Clean burner orifice(s) or replace burner orifice(s).
Burner backfiring during combustion.	<ol style="list-style-type: none"> 1. Burner orifice(s) is clogged or damaged. 2. Burner damaged. 3. Gas regulator defective. 	<ol style="list-style-type: none"> 1. Clean burner orifice(s) or replace burner orifice(s). 2. Replace burner. 3. Replace gas regulator.
Burner plaque(s) does not glow	<ol style="list-style-type: none"> 1. Plaque(s) is damaged. 2. Inlet gas pressure is too low. 3. Control knob set between locked positions. 	<ol style="list-style-type: none"> 1. Replace burner. 2. Contact local natural gas company. 3. Turn control knob until it locks at desired setting.
Slight smoke and odor during initial operation	<ol style="list-style-type: none"> 1. Residues from manufacturing processes. 	<ol style="list-style-type: none"> 1. Will stop after a few hours of operation.
Heater produces a whistling noise when burner is lit.	<ol style="list-style-type: none"> 1. Air passageways blocked 2. Air in gas line. 	<ol style="list-style-type: none"> 1. Check minimum installation clearances and air passageways for debris. 2. Operate burner until the air is completely purged.
Heater produces a clicking noise just after burner is lit or turned off.	<ol style="list-style-type: none"> 1. Metal expanding and contracting, respectively 	<ol style="list-style-type: none"> 1. This is common with heaters. If noise is excessive, contact a qualified person.
Gas odor even when control knob is in OFF position.	<ol style="list-style-type: none"> 1. Gas leak see front page Warnings. 2. Gas control defective 	<ol style="list-style-type: none"> 1. Locate and correct leaks immediately. 2. Replace gas control

PROBLEM	POSSIBLE CAUSE	WHAT TO DO
Gas odor during combustion	<ol style="list-style-type: none"> 1. Foreign matter in gas or on burner ports. 2. Heater burning vapors from paint, impurities in air. 3. Gas leak, see front page Warnings 4. Foreign matter between control valve and burner. 	<ol style="list-style-type: none"> 1. Check gas passage way and burner. 2. Ventilate room, stop storing and using odor causing products near the heater. 3. Locate and correct leaks immediately 4. Take apart gas tubing and remove foreign matter.
Heater shuts off on ODS	<ol style="list-style-type: none"> 1. Not enough fresh air is available 2. Low gas pressure 3. ODS pilot partially clogged 	<ol style="list-style-type: none"> 1. Open window 2. Contact your gas company. 3. Clean the pilot
Heater produces unwanted odors.	<ol style="list-style-type: none"> 1. Heater burning vapors from paint, hair spray, glues, etc. See IMPORTANT statement above. 2. Gas leak. See Warning statement at top of page. 	<ol style="list-style-type: none"> 1. Ventilate room. Stop using odor causing products while heater is running 2. Locate and correct all leaks
Moisture/condensation noticed on windows	<ol style="list-style-type: none"> 1. Not enough combustion/ventilation air. 	<ol style="list-style-type: none"> 1. Refer to Air for Combustion and Ventilation requirements

SPECIFICATIONS:

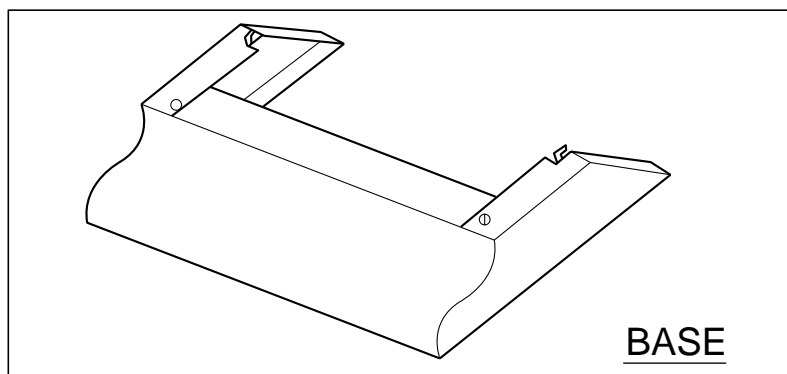
MODELS	KW(N311, P312)		KW(N181, P182)	
	N311	P312	N181	P182
INPUT RATING (BTU/HR, Variable)	6,400/18,000/30,000	6,400/18,000/30,000	6,400/12,000/18,000	6,400/12,000/18,000
TYPE OF GAS	NATURAL	LP GASES	NATURAL	LP GASES
REGULATOR PRESSURE SETTING	6.0" W.C.	10.0" W.C.	6.0" W.C.	10.0" W.C.
INLET GAS SUPPLY PRESSURE MAXIMUM MINIMUM	10.5" W.C.	14.0" W.C.	10.5" W.C.	14.0" W.C.
	7.0" W.C.	11.0" W.C.	7.0" W.C.	11.0" W.C.
SIZE OF HEATER (H x W x D)	23.8" x 25.7" x 8"		23.8" x 18.3" x 8"	
WEIGHT	30LBS		22LBS	

➤ **NOTE :** For altitudes above 2,000 feet, reduce the input rating(BTU/HR)4% for each 1,000 feet above sea level.

"DO NOT USE THIS HEATER AT AN ELEVATION ABOVE 4,500 FEET"

OPTIONAL ACCESSORIES : Purchase these heater accessories from your local distributors/dealers. If they can not furnish these items, call World Marketing of America, Inc. @1-814-643-2299 for more detailed information.

FLOOR MOUNTING BASE : No. 20-5231 may be used for MODEL(KWN 311, KWP 312).
No. 20-5221 may be used for MODEL(KWN 181, KWP 182).



PARTS LIST

PARTS LIST

ITEM NO.	DESCRIPTION	PART NO. FOR	
		KW(N311,P312)	KW(N181,P182)
1.	Unit Casing Assembly	REF-2A0052	REF-2A0053
2.	Main Burner Assembly	20-0142(1A0038)	20-0141(1A0039)
3.	Reflector Assembly	REF-2A0047	REF-2A0048
4.	Valve Knob	20-1717(3A0054)	20-1717(3A0054)
5.	Screw	REF-4A0055	REF-4A0055
6.	Main Nozzle	REF-4A0051	REF-4A0051
7.	Grille Guard	20-5430(1A0040)	20-5420(1A0041)
8.	Lower Panel	REF-1A1013	REF-1A1023
9.	Valve Bracket	REF-3A0048	REF-3A0048
10.	Gas Control(Daemyeong Korea)	20-1021(DMV300PA)	20-1021(DMV300PA)
11.	Cover Heat Lower	REF-3A0047a	REF-3A0047b
12.	Cover Heat	REF-1A1026	REF-1A1027
13.	Pressure Regulator(3/8") [NG:6",LP:10"]	9971/9970 (DR40m5PN,DR40m5PL)	9971/9960 (DR40m3PN,DR40m3PL)
14.	Inlet Tubing(3/8") Assembly(AL PIPE)	REF-4A0081	REF-4A0086
15.	Outlet Tubing-A(φ 6mm) Assembly	REF-4A0082	REF-4A0080
16.	Outlet Tubing-B(φ 6mm) Assembly	REF-4A0083	REF-4A0087
17.	Outlet Tubing-BL(φ 6mm) Assembly	REF-4A0084	REF-
18.	Outlet Tubing-BR(φ 6mm) Assembly	REF-4A0085	REF-
19.	Outlet Tubing-C(φ 6mm) Assembly	REF-4A0077	REF-4A0088
20.	Outlet Tubing-CL(φ 6mm) Assembly	REF-4A0078	REF-
21.	Outlet Tubing-CR(φ 6mm) Assembly	REF-4A0079	REF-
22.	Manifold-C	REF-4A0060	REF-
23.	Wall Mounting Bracket-L(R)	20-9801(3A1010)	20-9801(3A1010)
24.	Connector - A	REF-4A0020	REF-4A0020
25.	ODS Pilot Tubing-Inlet(3/16") Assembly	REF-3A0080	REF-3A0072
26.	Regulator(NAT) (1/8") [NG:3"]	REF	REF
27.	ODS Pilot Assembly(Daemyeong Korea)	20-3087/20-3088 (DS98PN01/DS98PL01)	20-3087/20-3088 (DS98PN01/DS98PL01)
27-1.	Electrode	"	"
27-2.	Thermocouple	"	"
28.	Valve Link	REF-3A0061a	REF-3A0061a
29.	Link Fix Pin	REF-4A0149	REF-4A0149
30.	Connector-D(NAT)	REF-4A0063	REF-4A0063
31.	Connector-D1(NAT)	REF-4A0142	REF-4A0142
32.	ODS Mounting Screw	20-9605#30	20-9605#30
33.	Wall Mounting Screw	20-9607#32	20-9607#32
34.	Screw	20-9606#29	20-9606#29

LIMITED WARRANTY:

This limited warranty is extended to the original retail purchaser of this Kozy-World Heater and warrants against any defect in materials in workmanship for a period of two (2) years from the date of retail sale. World Marketing of America, Inc., at it's option, will either provide replacement parts or replace or repair the unit, when properly returned to the retailer, within two (2) years of retail purchase. (Shipping costs, installation or removal of the unit and any other associated field labor costs are the responsibility of the purchaser.)

DUTIES OF THE OWNER:

This heating appliance must be installed and tested by a qualified individual and operated in accordance with the written instructions furnished with this heater. This warranty shall not excuse the owner from properly maintaining this heater in accordance with the written instructions furnished with this heater. A bill of sale, canceled check or payment record must be kept to verify purchase date and establish warranty period. Original carton should be kept in case of warranty return of unit.

WHAT IS NOT COVERED:

Travel, diagnostic cost, service labor, labor to repair the defective appliance and freight charges on warranty parts or heaters to and from the factory shall be the responsibility of the owner.

This warranty does not imply or assume any responsibility for consequential damages that may result from the use, misuse, improper installation or the lack of routine maintenance of this heating appliance. A cleaning fee and the cost of parts may be charged for appliance failures resulting from the lack of maintenance. This warranty does not cover claims which do not involve defective workmanship or materials. FAILURE TO PERFORM GENERAL MAINTENANCE (INCLUDING CLEANING) WILL VOID THIS WARRANTY.

THIS LIMITED WARRANTY IS GIVEN TO THE PURCHASER IN LIEU OF ALL OTHER WARRANTIES, EXPRESSED OR IMPLIED, INCLUDING BUT NOT LIMITED TO THE WARRANTIES OF MERCHANT ABILITY OF FITNESS FOR A PARTICULAR PURPOSE. THE REMEDY PROVIDED IN THIS WARRANTY IS EXCLUSIVE AND IS GRANTED IN LIEU OF ALL OTHER REMEDIES. IN NO EVENT WILL WORLD MARKETING OF AMERICA BE LIABLE FOR INCIDENTAL OR CONSEQUENTIAL DAMAGES.

Some states do not allow limitations on how long an implied warranty lasts, so the above limitation may not apply to you. Some states do not allow the exclusion or limitation of incidental or consequential damages so the above limitation or exclusion may not apply to you.

CLAIMS HANDLED AS FOLLOWS:

1. Contact your retailer and explain your problem.
2. If the retailer cannot resolve the problem, write out. Consumer Warranty Dept. detailing the heater model, the problem, copy of the sales receipt or date of purchase. Send letter to the attention of "Warranty Claims Administrator."
3. A representative of Kozy-World will contact you. DO NOT RETURN THE HEATER TO WORLD MARKETING OF AMERICA, INC.

This warranty gives you specific legal rights and you may also have other rights which vary from state to state.

DO NOT RETURN THE HEATER TO WORLD MARKETING OF AMERICA, INC. YOU WILL BE CONTACTED BY OUR REPRESENTATIVE.

TO REGISTER THE WARRANTY ON YOUR HEATER, PLEASE FILL OUT THIS CARD COMPLETELY AND MAIL WITHIN 14 DAYS FROM DATE OF PURCHASE.

NAME: _____ PHONE:() _____
 ADDRESS: _____
 CITY: _____ STATE: _____ ZIP: _____
 MODEL: _____ SERIAL #. _____ DATE PURCHASED: _____
 DEALER PURCHASED FORM: _____ TYPE OF STORE: _____
 CITY & STATE WHERE PURCHASED: _____ PRICE PAID: _____

Please Take a Minute To Give Us Your Answers To The Following Questions.
All Responses Are Used Solely For Market Research And Are Held In Strict Confidence.

Do you own any other portable heaters? Yes No
 If you do: How many? _____ What Brands? _____ Satisfied? _____
 Please indicate your age group: Under 25, 32-34, 35-44, 45-54, 55-64, 65 or older
 How do you intend to use your new heater? Emergency Heat, Extra Heat, Primary Heat
 Were did you hear about this heater? _____
 What made you select this heater? Price, Store Display, Salesperson, Recommendation,
 Radio ad, Newspaper ad, Other (Please Specify) _____
 What is your occupation? _____
 What is your income bracket? A. Under \$15,000 B. \$15-30,000 C. \$30-45,000
 D. \$45-60,000 E. Over \$60,000
 Do you own or rent your home? _____ Would you recommend this heater to a friend? _____

THANK YOU FOR COMPLETING THIS FORM!

SOLVING COMMON PROBLEMS

The 3 most common problems associated with any gas heater are gas leaks, wrong gas pressure and dirt.

Do Not Use Your Heater Without Checking For Leaks! Leaks can occur during shipment and installation. A simple solution of soap and water dabbed on the fittings will bubble if a gas leak is present. Do not take shortcuts!

Wrong Gas Pressure! Too much gas pressure may severely damage your heater. Too little gas pressure and your heater will not burn correctly. If your installer can not check gas pressure, find one who can or call your gas supplier. Do not take shortcuts!

Dust & Dirt! This heater does require some cleaning. If the pilot light will not stay lit or if one brick is not as bright as another, your heater is probably due for a good cleaning. Replacement of the thermocouple or pilot assembly is generally not needed. Review Heater Maintenance on page 15 of the owners manual.

While we want every one to be completely satisfied with their purchase it is impossible to cover problems occurring from improper installation or a lack of maintenance.

Kozy-World Warranty Registration

IMPORTANT: We urge you to fill out your warranty registration card within ten(10) days of date of installation, complete with the entire serial number which can be found on the rating plate. Retain this portion of the card for your records.

World Marketing of America, Inc.
PO Box 192, Route 22 West
Mill Creek, PA 17060-0192
Tel) 1-814-643-2299
www.worldmktng.com

SAVE THIS CARD!

Place
Postage
Stamp
Here

World Marketing of America, Inc.
PO Box 192, Route 22 West
Mill Creek, PA 17060-0192