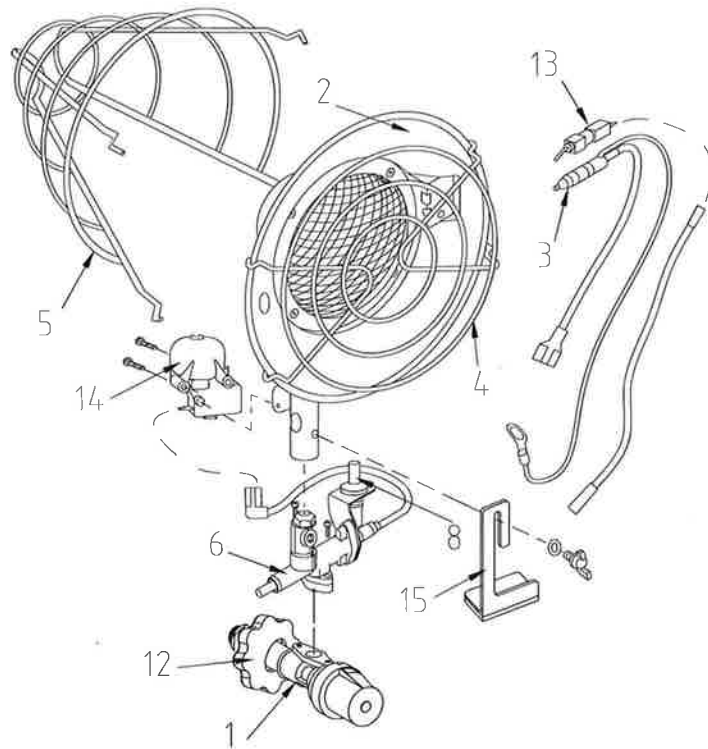


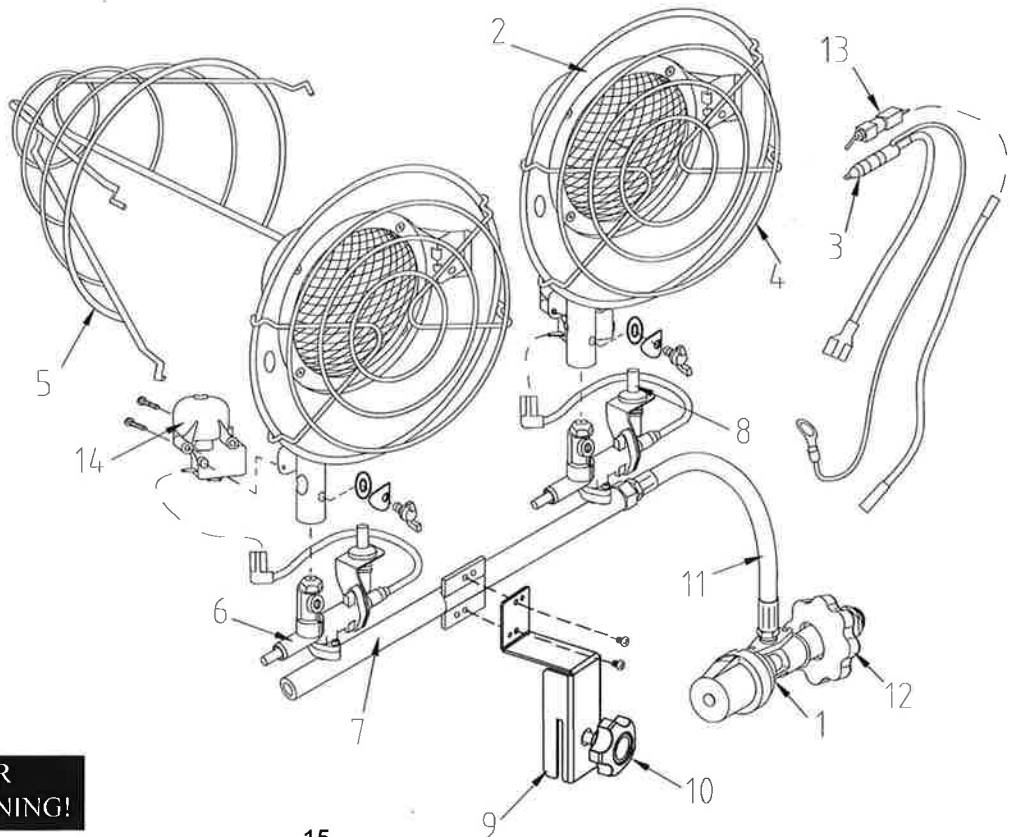
PROPANE TANK TOP HEATER

REPLACEMENT PARTS ILLUSTRATION

TT15 SERIES



TT30 SERIES



**NEVER LEAVE THE HEATER
UNATTENDED WHILE BURNING!**

PROPANE TANK TOP HEATER

TROUBLESHOOTING

PROBLEM	POSSIBLE CAUSE	CORRECTIVE ACTION
1. Unit will not light.	<ol style="list-style-type: none"> 1. Valve on propane cylinder not open. 2. Propane cylinder empty 3. Regulator not in "High" position 4. Excess flow device triggered. 5. Defective Regulator. 	<ol style="list-style-type: none"> 1. Open cylinder valve by turning counterclockwise. 2. Have cylinder refilled. 3. Turn regulator to "High" position. 4. Close cylinder valve, wait 5 minutes and reopen slowly. 5. Replace Regulator assembly.
2. Burner will not stay lit when gas valve plunger released.	<ol style="list-style-type: none"> 1. Tilt switch open 2. Wiring of thermocouple 3. Defective thermocouple 4. Defective tilt switch 5. Defective gas valve 	<ol style="list-style-type: none"> 1. Correct alignment of unit to ensure it is vertical. 2. Check wiring connections are properly engaged. 3. Replace thermocouple. 4. Replace tilt switch. 5. Replace gas valve assembly.
3. Excessive flames coming out of burner, not glowing red.	<ol style="list-style-type: none"> 1. Debris or spider webs in mixing tube or burner. 2. Clogged orifice 	<ol style="list-style-type: none"> 1. Clean burner tube with bottle brush, rinse in water and drain thoroughly before reinstallation. 2. Remove and clean using compressed air.
4. Piezo won't spark. (Some models only)	<ol style="list-style-type: none"> 1. Defective piezo 2. Ignitor misaligned with Thermocouple shield 3. Wire frayed or damaged. 	<ol style="list-style-type: none"> 1. Replace Piezo 2. Realign ignitor with thermocouple shield. 3. Replace wire.
5. Flames flashback/burn inside the mixing tube	<ol style="list-style-type: none"> 1. Debris or spider webs in mixing tube. 2. Clogged orifice 	<ol style="list-style-type: none"> 1. Clean burner tube with bottle brush, rinse in water and drain thoroughly before reinstallation. 2. Remove and clean using compressed air.

REPLACEMENT PARTS LIST

ITEM	DESCRIPTION	Part Number	
		TT-15CSA	TT-30CSA
1	Regulator Assembly	GR-121	GR-121
2	Burner Assembly	TT15-00-01	TT15-00-01
3	Thermocouple Assembly	TT15C-11	TT15C-11
4	Guard Assembly	TT15C-03	TT15C-03
5	Rear Guard Assembly	TT15C-04	TT15C-04
6	Safety Shut-off Valve	GS13	GS13
7	Manifold	--	K-80D-A5-02
8	Piezo Assembly	--	--
9	Tank Collar Bracket	--	TT30C-02
10	Mounting Bolt Knob	--	TT30C-3
11	Gas Hose	--	GDH1
12	Handwheel	QG-010-01	QG-010-01
13	Electrode	--	--
14	Tip Over Switch	TT15C-08	TT15C-08
15	Support Leg	TT15C-02	--

NEVER LEAVE THE HEATER UNATTENDED WHILE BURNING!