

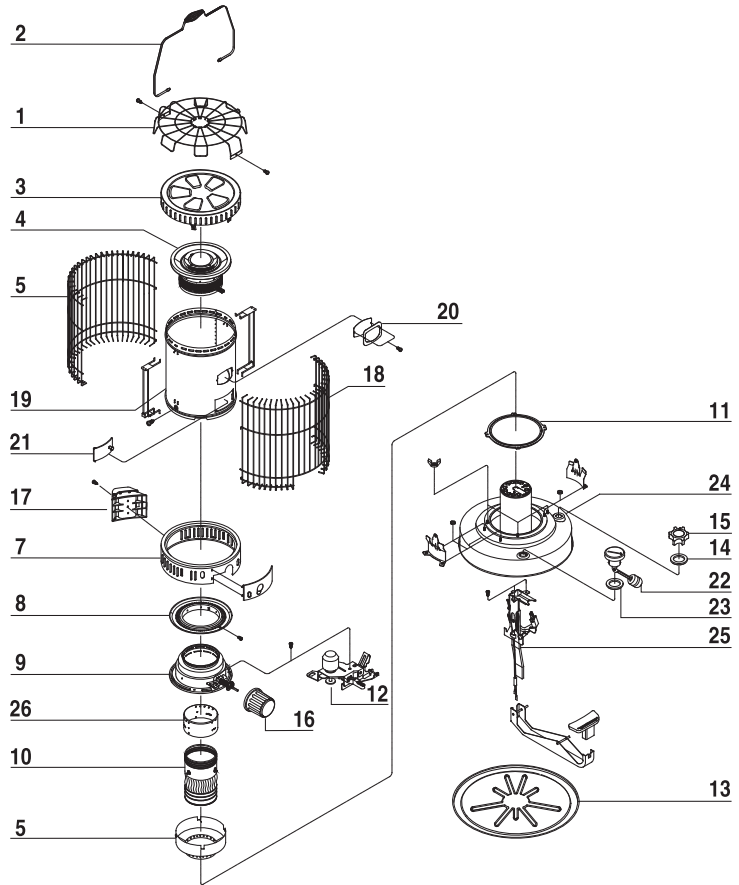
**NEVER LEAVE THE HEATER
UNATTENDED WHILE BURNING!**

17 PARTS LIST

DRAWING NUMBER	DESCRIPTION	PART NUMBER
1	TOP GRILLE	08-5404
2	CARRYING HANDLE	08-5697
3	TOP PLATE	08-5123
4	BURNER ASS'Y	08-0123
5	WICK COVER	08-9622
6	REAR GRILLE	08-5405
7	CABINET BASE	08-5324
8	WIND COVER	08-9624
9	WICK ADJUSTER ASS'Y (COMPLETE)	08-1023
10	WICK	See Specs Below
11	WICK ADJUSTER GASKET	08-4624
12	SAFETY SHUT OFF DEVICE	See 9
13	DRIP TRAY ASS'Y	08-5213
14	FUEL CAP GASKET	REF
15	FUEL CAP ASS'Y	08-4230
16	WICK ADJUSTER KNOB	08-1723
17	BATTERY CASE ASS'Y	08-2113
18	FRONT GRILLE	08-5406
19	CABINET	08-5005
20	MICA WINDOW	604B
21	DOOR	08-5705
22	FUEL GAUGE	08-4897
23	FUEL GAUGE GASKET	REF
24	TANK ASS'Y	08-4013
25	IGNITER ASS'Y	08-2027
26	WICK SLEEVE	08-1223

18 EXPLODED PARTS DRAWING

**NOTE : SPECIFY MODEL NUMBER AND
PART NUMBER WHEN ORDERING PARTS.**



19 SPECIFICATIONS

Model No.		KW-24G
Type of Heater		Convection
Heat Output		Max. 23,800 BTU/hr
Fuel Tank		Integral
Tank Capacity		1.9 U.S. gallons
Continuous Combustion Time		Approx. 9-12 hr
Max. Fuel Consumption		0.180 U.S. gallons/hr.
Ignition Method		Battery-C Cell x2, Igniter Type "B"
Weight(empty)		Approx. 23 lbs.
Dimensions	Height	27 inches
	Width	17.5 inches
	Depth	17.5 inches
Wick Height		25/64 IN. (10mm)
Replacement Wick Number		Kero-World 32225, Pick-A-Wick PW-72, Dura Heat DH-145