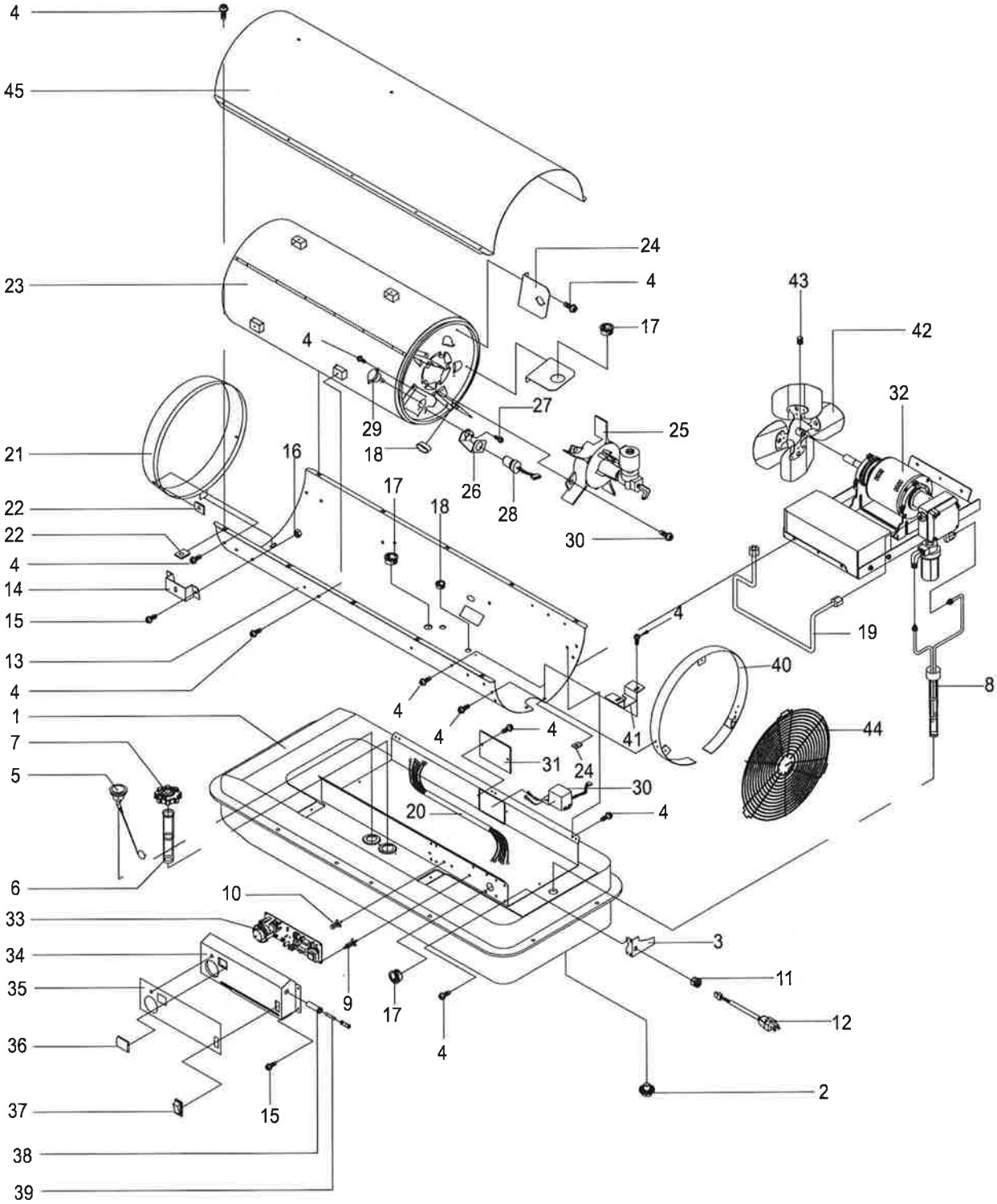


**NEVER LEAVE THE HEATER UNATTENDED WHILE BURNING!**

**14. EXPLODED PARTS DRAWING (DFA650T2 MODEL)**

NOTE: SPECIFY MODEL NUMBER AND PART NUMBER WHEN ORDERING PARTS.



**NEVER LEAVE THE HEATER  
UNATTENDED WHILE BURNING!**

**15. PARTS LIST**

KEY No.	DESCRIPTION	PART No.	Quantity
		DFA650T2	
1	Fuel Tank Assembly	2151-0021-01	1
2	Fuel Drain Bolt	4329-0072-00	1
3	Bracket-Cord	3131-0357-01	2
4	Flange Screw	4319-0015-00	43
5	Fuel Gauge	2156-0054-00	1
6	Fuel Filter	3221-0009-00	1
7	Fuel Cap	2151-0041-00	1
8	Filler Neck Assembly	2155-0011-00	1
9	Space Support	3713-0004-00	5
10	Card Support	3713-0016-00	3
11	Cord Bushing	3712-0013-00	1
12	Power Cord	3980-0228-00	1
13	Shell Lower	3111-0252-03	1
14	Bracket-Pipe	3131-0363-01	2
15	Bolt-HH	4321-0182-00	4
16	Lock Nut	4331-0022-00	4
17	Bushing Grommet(L)	3231-0121-00	6
18	Bushing Grommet(S)	3231-0120-00	1
19	Line - Fuel	3740-0058-00	1
20	Thermistor	38C0-0054-00	1
21	Cone-Ouside	2153-0016-01	1
22	Clip Nut	3131-0182-00	14
23	Chamber Assembly	2152-0083-00	1
24	Air Deflector	3131-0361-00	4
25	Burner Head Assembly	2152-0084-00	1
26	Bracket Photocell	3131-0159-00	1
27	Screw BH1	4311-0068-00	2
28	Photocell	2153-0017-00	1
29	Temperature Limit	38C0-0151-00	1
30	Igniter	39E0-0029-00	1
31	Cover Igniter	3131-0309-01	1
32	Motor & Pump Assembly	2154-0046-00	1
33	P.C.B Assembly	215A-0076-00	1
34	Cover Display	3121-0588-00	1
35	Rating Plate	3221-0072-12	1
36	Window Display	3231-0113-00	1
37	Operating Switch	39A0-0209-00	1
38	Fuse Holder	3930-0012-00	1
39	Fuse	3920-0061-00	1
40	Guide Shell	3121-0378-01	1
41	Bracket-Filter	3131-0464-00	1
42	Fan Assembly	2154-0047-00	1
43	Bolt Standard Socket	4323-0005-00	1
44	Guard Fan	3561-0064-01	1
45	Shell Upper	3111-0253-03	1

FOR TECHNICAL ASSISTANCE SEE YOUR LOCAL RETAILER OR CONTACT US AT:

PHONE: 814-643-1775 TECH.: 814-643-2299 FAX: 814-643-3443

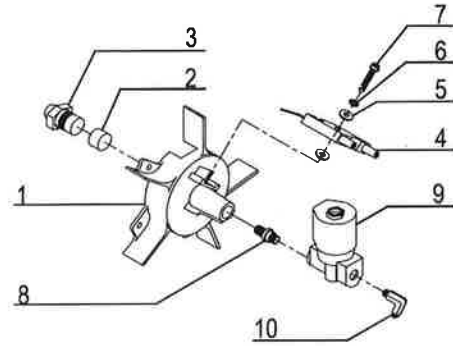
EMAIL: TECHSVC@YOURHEATER.COM OR VISIT OUR WEBSITE AT WWW.YOURHEATER.COM

**NEVER LEAVE THE HEATER  
UNATTENDED WHILE BURNING!**

**15. PARTS LIST (BURNER HEAD ASSEMBLY & MOTOR AND PUMP ASSEMBLY)**

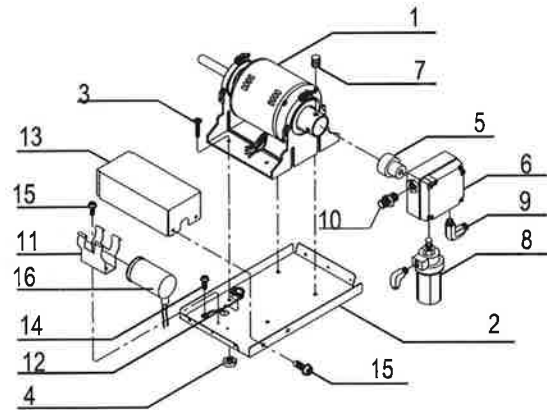
NOTE: SPECIFY MODEL NUMBER AND PART NUMBER WHEN ORDERING PARTS.

KEY NO.	DESCRIPTION	PART NO.	QTY.
1	Burner Head	3531-0012-00	1
2	Plug	3541-0060-00	1
3	Nozzle	SP-KFA1028	1
4	Spark Plug	SP-KFA1009	1
5	Fiber Washer	4349-0017-00	1
6	Spring Washer	4342-0009-00	1
7	Flange Bolt	4329-0013-00	1
8	Nipple-Straight	3541-0057-00	1
9	Solenoid Valve	39A0-0084-00	1
10	Elbow Male	3740-0037-00	1



**Figure 17. Burner Head Assembly**

KEY NO.	DESCRIPTION	PART NO.	QTY.
1	Motor	3970-0111-00	1
2	Supportor-Motor	3121-0375-00	1
3	Bolt(HH)	4321-0182-00	4
4	Nut Lock	4331-0022-00	4
5	Coupling-Pump	3531-0013-00	1
6	Gear Pump	3740-0060-00	1
7	Bolt-Headless Socket	4323-0004-00	3
8	Filter Oil Assembly	3740-0034-00	1
9	Elbow Male	3740-0044-00	2
10	Fitting-Straight	3740-0039-00	1
11	Holder Condensor	3131-0295-00	1
12	Bushing Grommet(S)	3712-0120-00	1
13	Cover Condensor	3121-0338-00	1
14	Screw(TH2S)	4312-0046-00	1
15	Flange Screw	4319-0015-00	1
16	Capacitor	3820-0146-00	1



**Figure 18. Motor and Pump Assembly**

**NEVER LEAVE THE HEATER  
UNATTENDED WHILE BURNING!**

**15. PARTS LIST (Wheel and Handle)**

NOTE: SPECIFY MODEL NUMBER AND PART NUMBER WHEN ORDERING PARTS.

KEY No.	DESCRIPTION	PART No.	Quantity
1	Wheel Support Frame	3551-0041-00	1
2	Handle Frame	3551-0043-00	2
3	Frame Supportor	3551-0044-00	2
4	Front Handle	3551-0042-00	1
5	Wheel	3720-0004-00	2
6	Threaded Axle	3541-0094-00	1
7	Hardware Kit	HW-KFA1020	1
7-1	Bushing	INCLUDED IN HARDWARE KIT	2
7-2	Cap Nut	INCLUDED IN HARDWARE KIT	2

