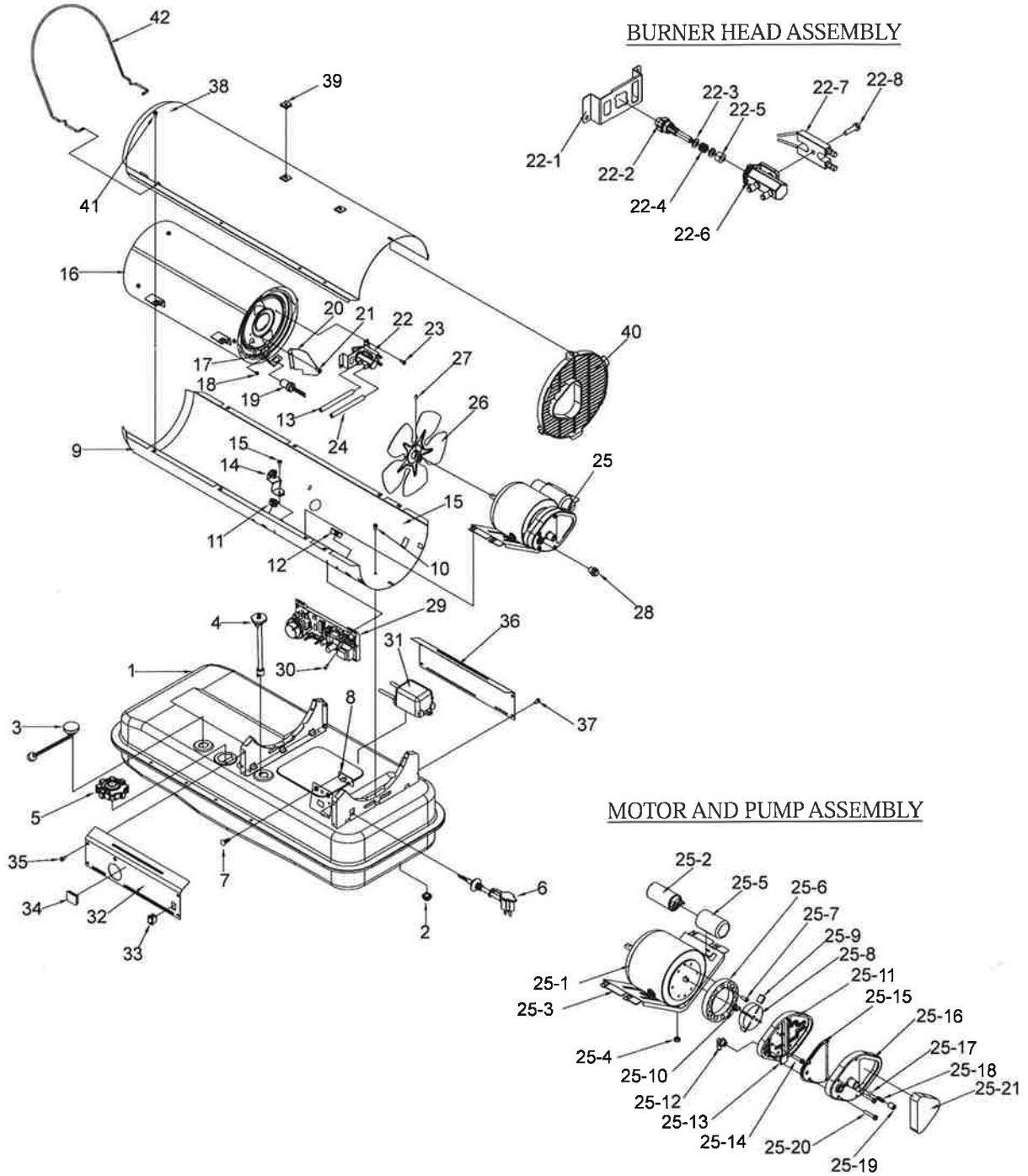


**NEVER LEAVE THE HEATER  
UNATTENDED WHILE BURNING!**

### 14. EXPLODED PARTS DRAWING (DFA50 / 80T / 135C Models Only)

NOTE : SPECIFY MODEL NUMBER AND PART NUMBER WHEN ORDERING PARTS.



**NEVER LEAVE THE HEATER  
UNATTENDED WHILE BURNING!**

**15. PARTS LIST (DFA50/80T/135C Models Only)**

KEY NO.	DESCRIPTION	PART NO.			QUANTITY
		DFA50	DFA80T	DFA135C	
1	Fuel Tank Assmebly	2151-0046-01	2151-0047-01	2151-0048-01	1
2	Fuel Drain-Bolt	-	-	4329-0072-00	1
3	Fuel Gauge	2156-0047-00	2156-0049-00	2156-0051-00	1
4	Fuel Filter Assmbly	2155-0005-00	2155-0005-00	2155-0001-00	1
5	Fuel Cap	2151-0041-00	2151-0041-00	2151-0041-00	1
6	Power Cord	3980-0274-00	3980-0275-00	3980-0275-00	1
7	Button Support	3713-0048-00	-	-	2
8	Display P.C.B Assembly	215A-0013-00	-	-	1
9	Shell Lower	3111-0501-05	3111-0501-05	3111-0506-05	1
10	Flange Screw	4319-0015-00	4319-0015-00	4319-0015-00	4
11	Bushing-Grommet(S)	3231-0120-00	3231-0120-00	3231-0120-00	1
12	Bushing-Grommet(L)	3231-0121-00	3231-0121-00	3231-0121-00	2
13	Air-Line	3341-0035-00	3341-0035-00	3341-0036-00	1
14	Temperature Limit Assembly	2153-0022-00	2153-0013-00	2153-0013-00	1
15	Flange-Screw	4319-0015-00	4319-0015-00	4319-0015-00	1
16	Chamber Assembly	2152-0225-00	2152-0227-00	2152-0230-00	1
17	Bracket Photocell	3131-0159-00	3131-0159-00	3131-0159-00	1
18	Screw-BH1	4311-0068-00	4311-0068-00	4311-0068-00	2
19	Photocell Assembly	*SP-KFA1007	*SP-KFA1007	*SP-KFA1007	1
20	Air Deflector	3131-0574-00	3131-0574-00	3131-0575-00	2
21	Flange Screw	4319-0015-00	4319-0015-00	4319-0015-00	2
22	Burner Head Assembly	2152-0232-00	2152-0228-00	2152-0193-00	1
22-1	Bracket-Adaptor	3131-0576-00	3131-0576-00	3131-0576-00	1
22-2	Nozzle	*SP-KFA1026	*SP-KFA1027	*SP-KFA1003	1
22-3	Washer-Nozzle Seal	4349-0016-00	4349-0016-00	4349-0016-00	2
22-4	Spring-Nozzle Seal	3431-0010-00	3431-0010-00	3431-0010-00	1
22-5	O-Ring	3311-0002-00	3311-0002-00	3311-0002-00	1
22-6	Nozzle Adaptor	3231-0239-00	3231-0239-00	3231-0180-00	1
22-7	Spark Plug	*SP-KFA1021	*SP-KFA1021	*SP-KFA1021	1
22-8	Bolt-Flange	4329-0079-00	4329-0079-00	4329-0079-00	1
23	Flange Screw	4319-0015-00	4319-0015-00	4319-0015-00	3
24	Fuel Line	3341-0034-00	3341-0034-00	3341-0032-00	1
25	Motor and Pump Assembly	2154-0135-00	2154-0135-00	2154-0136-00	1
25-1	Motor	3970-0210-00	3970-0210-00	3970-0211-00	1
25-2	Capacitor	3820-0257-00	3820-0257-00	3820-0258-00	1
25-3	Motor Support	3121-0440-00	3121-0440-00	3121-0439-00	1
25-4	Nut-Hex	4331-0022-00	4331-0022-00	4331-0022-00	2
25-5	Holder Capacitor	-	-	3231-0182-00	1
25-6	Pump Body	3541-0022-00	3541-0022-00	3541-0022-00	1
25-7	Bolt-BH Special	4321-0198-00	4321-0198-00	4321-0198-00	2

**NEVER LEAVE THE HEATER  
UNATTENDED WHILE BURNING!**

**15. PARTS LIST (DFA50/80T/135C Models Only)**

KEY NO.	DESCRIPTION	PART NO.			QUANTITY
		DFA50	DFA80T	DFA135C	
25-8	Rotor	*SP-KFA1000	*SP-KFA1000	*SP-KFA1000	1
25-9	Blade	See SP-KFA1000	See SP-KFA1000	See SP-KFA1000	4
25-10	Insert	See SP-KFA1000	See SP-KFA1000	See SP-KFA1000	1
25-11	End Pump Cover	3531-0027-00	3531-0027-00	3531-0027-00	1
25-12	Elbow	3231-0181-00	3231-0181-00	3231-0181-00	1
25-13	Lint Filter	*SP-KFA1005	*SP-KFA1005	*SP-KFA1005	1
25-14	Bolt Flange	4329-0016-00	4329-0016-00	4329-0016-00	6
25-15	Output Filter	See SP-KFA1005	See SP-KFA1005	See SP-KFA1005	1
25-16	End Filter Cover	3221-0029-00	3221-0029-00	3221-0029-00	1
25-17	Ball	*SP-KFA1006	*SP-KFA1006	*SP-KFA1006	1
25-18	Spring	See SP-KFA1006	See SP-KFA1006	See SP-KFA1006	1
25-19	Adjusting Screw	See SP-KFA1006	See SP-KFA1006	See SP-KFA1006	1
25-20	Bolt Flange	4329-0016-00	4329-0016-00	4329-0016-00	4
25-21	Intake Filter	See SP-KFA1005	See SP-KFA1005	See SP-KFA1005	1
26	Fan Assembly	2154-0009-00	2154-0009-00	2154-0004-00	1
27	Bolt Headless Hex Socket	4323-0004-00	4323-0004-00	4323-0004-00	1
28	Plug	3231-0054-00	3231-0054-00	3231-0054-00	1
29	Main P.C.B Assembly	215A-0048-00	215A-0073-00	215A-0074-00	1
30	Screw-TH2S	4312-0046-00	4312-0046-00	4312-0046-00	2
31	Ignitor	39E0-0071-00	39E0-0071-00	39E0-0071-00	1
32	Side Cover-Right	3121-0496-05	3121-0497-26	3121-0498-18	1
33	Power Switch	39A0-0191-00	39A0-0191-00	39A0-0191-00	1
34	Window Display	-	-	3231-0113-00	1
35	Flange Screw	4319-0015-00	4319-0015-00	4319-0015-00	4
36	Side Cover-Left	3121-0190-00	3121-0350-00	3121-0352-00	1
37	Flange Screw	4319-0015-00	4319-0015-00	4319-0015-00	4
38	Shell Upper	3111-0502-05	3111-0502-05	3111-0507-05	1
39	Clip Nut	3131-0182-00	3131-0182-00	-	2
40	Fan Guard	3221-0074-00	3221-0074-00	3221-0075-00	1
41	Flange Screw	4319-0015-00	4319-0015-00	4319-0015-00	8
42	Front Guard	3561-0066-00	3561-0066-00	-	1

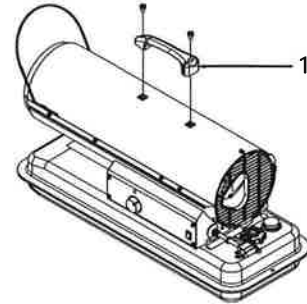
FOR TECHNICAL ASSISTANCE SEE YOUR LOCAL RETAILER OR CONTACT US AT:  
 PHONE: 814-643-1775      TECH.: 814-643-2299      FAX: 814-643-3443  
 EMAIL: techsvc@yourheater.com or visit our website at www.yourheater.com

**NEVER LEAVE THE HEATER  
UNATTENDED WHILE BURNING!**

## 15. PARTS LIST (WHEELS AND HANDLE)

### 1) DFA50/80T MODELS

KEY NO.	DESCRIPTION	PART NO.		QUANTITY
		DFA50	DFA80T	
1	Handle	3231-0073-00	3231-0073-00	1



### 2) DFA135C/180CV/220CV MODELS

KEY NO.	DESCRIPTION	PART NO.		QUANTITY
		DFA135C	DFA180CV / 220CV	
1	Front Handle	3551-0023-00	3551-0022-00	1
2	Rear Handle	3551-0086-00	3551-0087-00	1
3	Wheel Support Frame	3551-0082-00	3551-0084-00	1
4	Wheel	3720-0017-00	3720-0017-00	2
5	Threaded Axle	3551-0088-00	3551-0089-00	1
6	Cord Wrap	-	3221-0042-00	2
7	Hardware Kit	HW-KFA1016	HW-KFA1016	1
7-1	Screw	INCLUDED IN HARDWARE KIT	INCLUDED IN HARDWARE KIT	8
7-2	Flange Screw	INCLUDED IN HARDWARE KIT	INCLUDED IN HARDWARE KIT	4
7-3	Cap Nut S	INCLUDED IN HARDWARE KIT	INCLUDED IN HARDWARE KIT	4
7-4	Nut	INCLUDED IN HARDWARE KIT	INCLUDED IN HARDWARE KIT	8
7-5	Bushing	INCLUDED IN HARDWARE KIT	INCLUDED IN HARDWARE KIT	2
7-6	Cap Nut L	INCLUDED IN HARDWARE KIT	INCLUDED IN HARDWARE KIT	2

