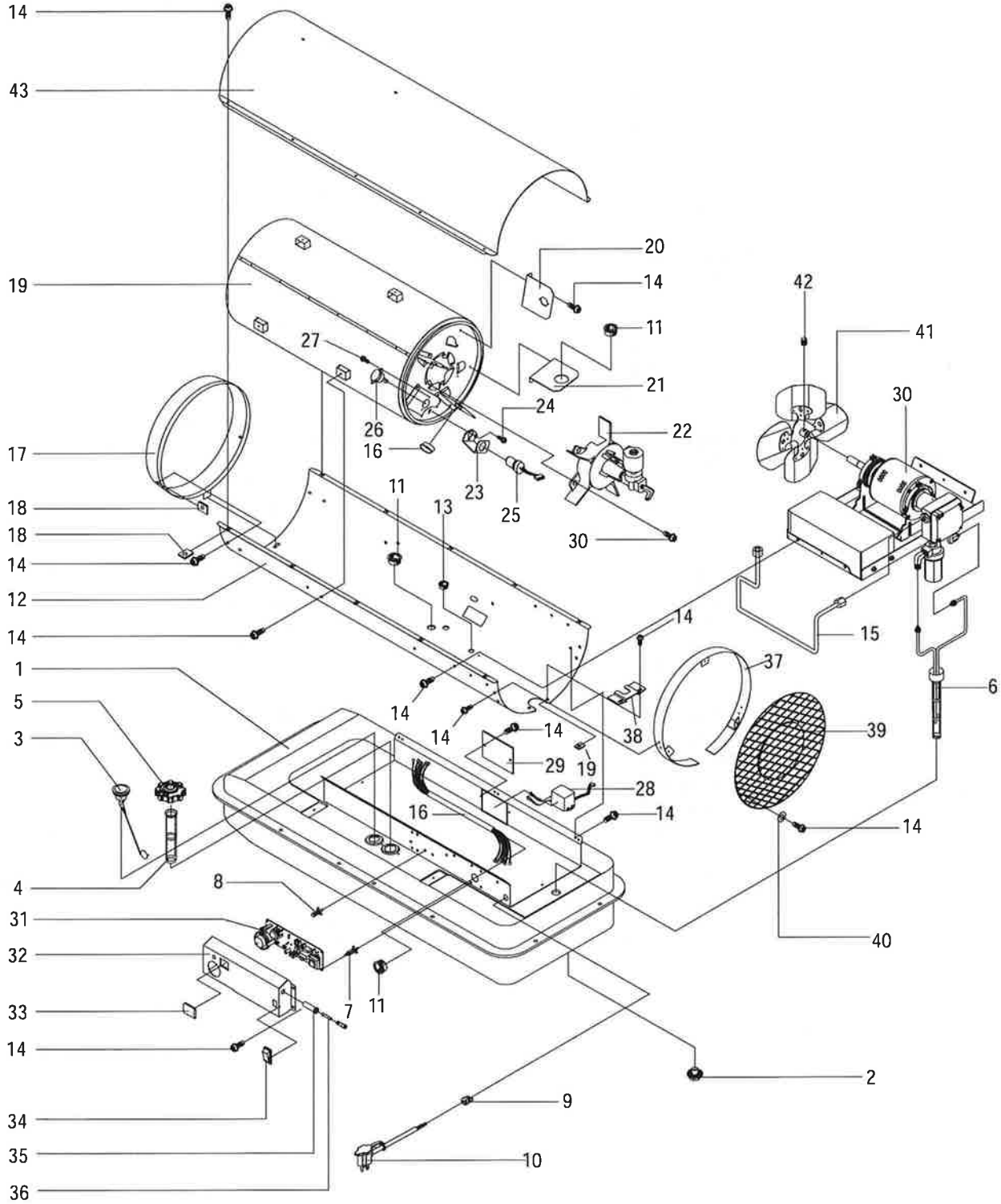


**NEVER LEAVE THE HEATER UNATTENDED WHILE BURNING!**

**14. EXPLODED PARTS DRAWING (DFA400T2 MODEL)**

NOTE: SPECIFY MODEL NUMBER AND PART NUMBER WHEN ORDERING PARTS.



**NEVER LEAVE THE HEATER  
UNATTENDED WHILE BURNING!**

**15. PARTS LIST**

KEY No.	DESCRIPTION	PART No.	Quantity
		DFA400T2	
1	Fuel Tank Assembly	2151-0010-00	1
2	Fuel Drain Bolt	4329-0072-00	1
3	Fuel Gauge	2156-0053-00	1
4	Fuel Filter	3221-0009-00	1
5	Fuel Cap	2151-0041-00	1
6	Filler Neck Assembly	2155-0007-00	1
7	Space Support	3713-0004-00	5
8	Card Support	3713-0016-00	3
9	Cord Bushing	3712-0013-00	1
10	Power Cord	3980-0268-00	1
11	Bushing Grommet(L)	3231-0121-00	3
12	Shell Lower	3111-0195-07	1
13	Bushing Grommet(S)	3231-0120-00	2
14	Flange Screw	4319-0015-00	26
15	Line-Fuel	3740-0031-00	1
16	Harness-Burner	39D0-0781-00	1
17	Cone-Ouside	2153-0012-01	1
18	Clip Nut	3131-0182-00	14
19	Chamber Assembly	2152-0037-00	1
20	Air Deflector	3131-0306-00	4
21	Air Deflector	3131-0307-00	1
22	Burner Head Assembly	2152-0058-00	1
23	Bracket Photocell	3131-0159-00	1
24	Screw BH1	4311-0068-00	2
25	Photocell	2153-0007-00	1
26	Temperature Limit	38C0-0032-00	1
27	Screw PH2	4312-0021-00	2
28	Igniter	39E0-0021-00	1
29	Cover Igniter	3131-0309-01	1
30	Motor & Pump Assembly	2154-0025-00	1
31	P.C.B Assembly	215A-0075-00	1
32	Cover Display	3121-0587-09	1
33	Window Display	3231-0113-00	1
34	Operating Switch	39A0-0209-00	1
35	Fuse Holder	3930-0012-00	1
36	Fuse	3920-0061-00	1
37	Safe Guard Assembly	2153-0011-01	1
38	Bracket-Filter	3131-0465-00	1
39	Mesh Guard	3121-0336-01	1
40	Impeller Washer	3131-0240-00	3
41	Fan Assembly	2154-0021-00	1
42	Bolt Standard Socket	4323-0005-00	1
43	Shell Upper	3111-0196-07	1

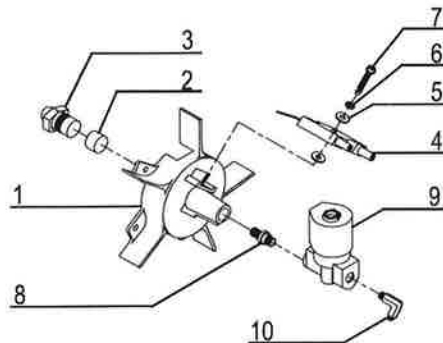
FOR TECHNICAL ASSISTANCE SEE YOUR LOCAL RETAILER OR CONTACT US AT:  
 PHONE: 814-643-1775 TECH.: 814-643-2299 FAX: 814-643-3443  
 EMAIL: TECHSVC@YOURHEATER.COM OR VISIT OUR WEBSITE AT WWW.YOURHEATER.COM

**NEVER LEAVE THE HEATER  
UNATTENDED WHILE BURNING!**

**15. PARTS LIST (BURNER HEAD ASSEMBLY & MOTOR AND PUMP ASSEMBLY)**

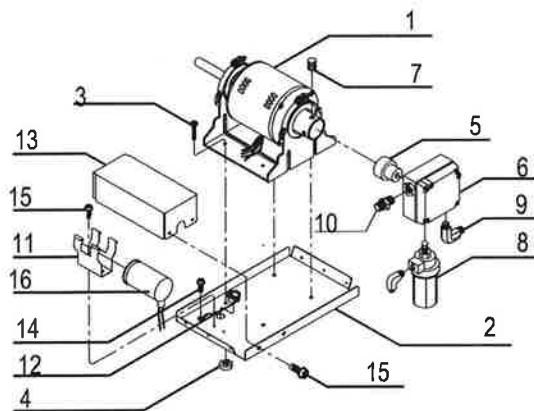
NOTE: SPECIFY MODEL NUMBER AND PART NUMBER WHEN DRDERING PARTS.

KEY NO.	DESCRIPTION	PART NO.
1	Burner Head	3531-0012-00
2	Plug	3541-0060-00
3	Nozzle	SP-KFA1024
4	Spark Plug	SP-KFA1009
5	Fiber Washer	4349-0017-00
6	Spring Washer	4342-0009-00
7	Flange Bolt	4329-0013-00
8	Nipple-Straight	3541-0057-00
9	Solenoid Valve	39A0-0084-00
10	Elbow Male	3740-0037-00



**Figure 18. Burner Head Assembly**

KEY NO.	DESCRIPTION	PART NO.
1	Motor	3970-0081-00
2	Supportor-Motor	3121-0334-00
3	Bolt(HH)	4321-0182-00
4	Nut Lock	4331-0022-00
5	Coupling-Pump	3531-0013-00
6	Gear Pump	3740-0026-00
7	Bolt-Headless Socket	4323-0004-00
8	Filter Oil Assembly	3740-0034-00
9	Elbow Male	3740-0044-00
10	Fitting-Straight	3740-0039-00
11	Holder Condensor	3131-0295-00
12	Bushing Grommet	3712-0004-00
13	Cover Condensor	3121-0338-00
14	Flange Screw	4319-0015-00
15	Capacitor	3820-0144-00



**Figure 19. Motor and Pump Assembly**

**NEVER LEAVE THE HEATER  
UNATTENDED WHILE BURNING!**

**15. PARTS LIST (Wheel and Handle)**

NOTE: SPECIFY MODEL NUMBER AND PART NUMBER WHEN ORDERING PARTS.

KEY NO.	DESCRIPTION	PART NO.	QTY
1	Wheel Support Frame	3551-0098-00	1
2	Handle	3551-0036-00	2
3	Cord Wrap	3221-0052-00	2
4	Threaded Axle	3541-0096-00	1
5	Wheel	3720-0004-00	2
6	Hardware Kit	HW-KFA1019	1
6-1	Screw (L)	INCLUDED IN HARDWARE KIT	6
6-2	Screw (S)	INCLUDED IN HARDWARE KIT	6
6-3	Nut	INCLUDED IN HARDWARE KIT	8
6-4	Cap Nut(S)	INCLUDED IN HARDWARE KIT	4
6-5	Bushing	INCLUDED IN HARDWARE KIT	2
6-6	Flat Washer	INCLUDED IN HARDWARE KIT	2
6-7	Cap Nut(L)	INCLUDED IN HARDWARE KIT	2

