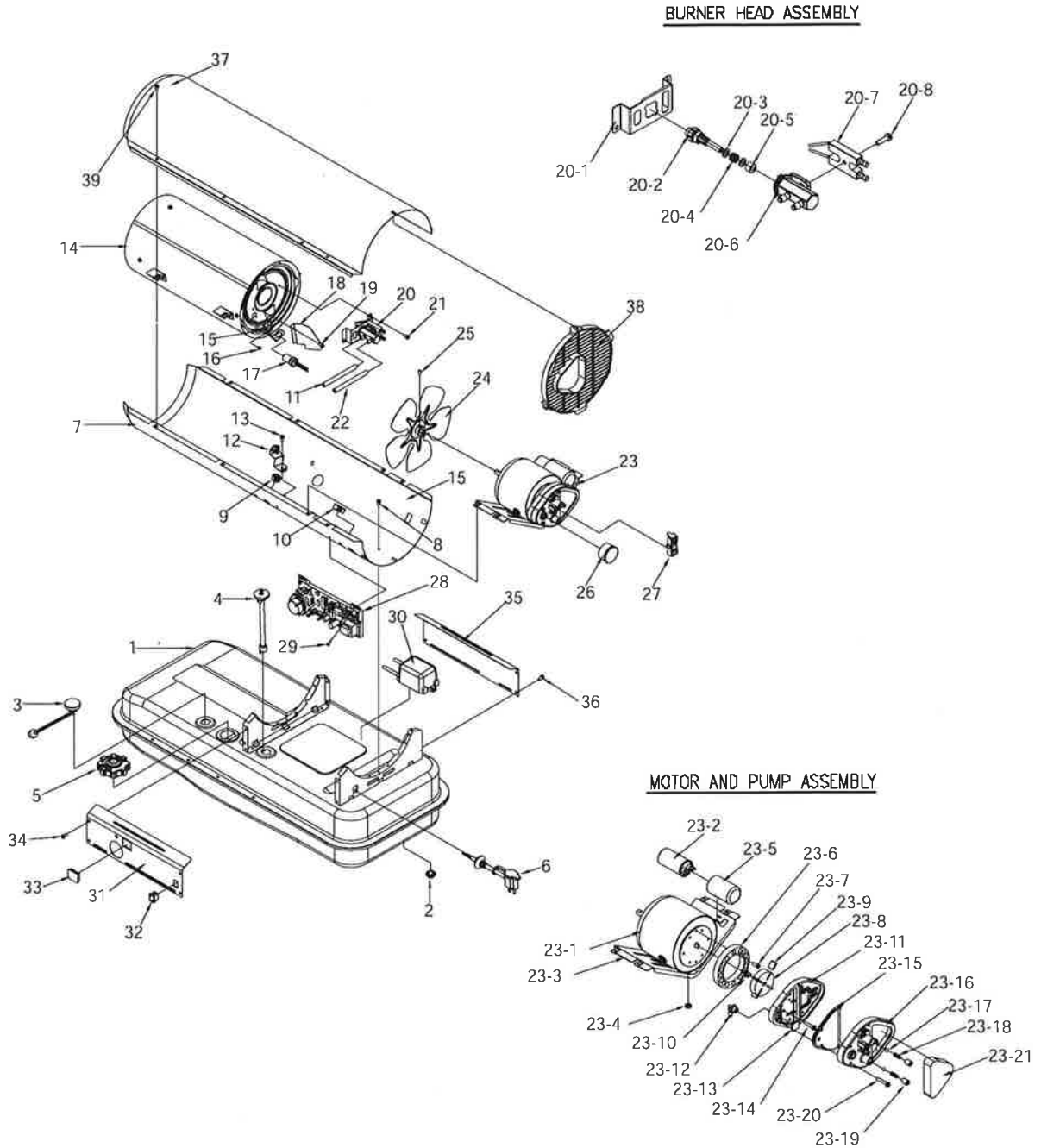


NEVER LEAVE THE HEATER UNATTENDED WHILE BURNING!

14. EXPLODED PARTS DRAWING ((DFA180CV Model Only)

NOTE : SPECIFY MODEL NUMBER AND PART NUMBER WHEN ORDERING PARTS.



**NEVER LEAVE THE HEATER
UNATTENDED WHILE BURNING!**

15. PARTS LIST (DFA180CV Model Only)

KEY NO.	DESCRIPTION	PART NO.	QUANTITY
		DFA180CV	
1	Fuel Tank Assmebly	2151-0049-01	1
2	Fuel Drain-Bolt	4329-0072-00	1
3	Fuel Gauge	2156-0051-00	1
4	Fuel Filter Assmby	2155-0001-00	1
5	Fuel Cap	2151-0041-00	1
6	Power Cord	3980-0275-00	1
7	Shell Lower	3111-0508-05	1
8	Flange Screw	4319-0015-00	4
9	Bushing-Grommet(S)	3231-0120-00	1
10	Bushing-Grommet(L)	3231-0121-00	2
11	Air-Line	3341-0038-00	1
12	Temperature Limit Assembly	2153-0023-00	1
13	Flange-Screw	4319-0015-00	1
14	Chamber Assembly	2152-0242-00	1
15	Bracket Photocell	3131-0159-00	1
16	Screw-BH1	4311-0068-00	1
17	Photocell Assembly	*SP-KFA1007	1
18	Air Deflector	3131-0575-00	2
19	Flange Screw	4319-0015-00	2
20	Burner Head Assembly	2152-0194-00	1
20-1	Bracket-Adaptor	3131-0576-00	1
20-2	Nozzle	*SP-KFA1004	1
20-3	Washer-Nozzle Seal	4349-0016-00	2
20-4	Spring-Nozzle Seal	3431-0010-00	1
20-5	O-Ring	3311-0002-00	1
20-6	Nozzle Adaptor	3231-0180-00	1
20-7	Spark Plug	*SP-KFA1021	1
20-8	Bolt-Flange	4329-0079-00	1
21	Flange Screw	4319-0015-00	3
22	Fuel Line	3341-0034-00	1
23	Motor and Pump Assembly	2154-0142-00	1
23-1	Motor	3970-0212-00	1
23-2	Capacitor	3820-0258-00	1
23-3	Motor Support	3121-0439-00	1
23-4	Nut-Hex	4331-0022-00	2
23-5	Holder Capacitor	3231-0182-00	1
23-6	Pump Body	3541-0022-00	1
23-7	Bolt-BH Special	4321-0198-00	2
23-8	Rotor	*SP-KFA1000	1
23-9	Blade	See SP-KFA1000	4

**NEVER LEAVE THE HEATER
UNATTENDED WHILE BURNING!**

15. PARTS LIST (DFA180CV Model Only)

KEY NO.	DESCRIPTION	PART NO.	QUANTITY
		DFA180CV	
23-10	Insert	See SP-KFA1000	1
23-11	End Pump Cover	3531-0027-00	1
23-12	Elbow	3231-0181-00	1
23-13	Lint Filter	*SP-KFA1005	1
23-14	Bolt Flange	4329-0081-00	6
23-15	Output Filter	See SP-KFA1005	1
23-16	End Filter Cover	3221-0076-00	1
23-17	Ball	*SP-KFA1010	2
23-18	Spring	See SP-KFA1010	2
23-19	Adjusting Screw	See SP-KFA1010	2
23-20	Bolt Flange	4329-0016-00	4
23-21	Intake Filter	See SP-KFA1005	1
24	Fan Assembly	2154-0007-00	1
25	Bolt Headless Hex Socket	4323-0004-00	1
26	Pressure Gauge	3740-0049-00	1
27	BTU Control Switch	2154-0070-00	1
28	Main P.C.B Assembly	215A-0074-00	1
29	Screw-TH2S	4312-0046-00	2
30	Ignitor	39E0-0071-00	1
31	Side Cover-Right	3121-0499-36	1
32	Power Switch	39A0-0191-00	1
33	Window Display	3231-0113-00	1
34	Flange Screw	4319-0015-00	4
35	Side Cover-Left	3121-0354-00	1
36	Flange Screw	4319-0015-00	4
37	Shell Upper	3111-0349-01	1
38	Fan Guard	3221-0075-00	1
39	Flange Screw	4319-0015-00	8

FOR TECHNICAL ASSISTANCE SEE YOUR LOCAL RETAILER OR CONTACT US AT:

PHONE: 814-643-1775 TECH.: 814-643-2299 FAX: 814-643-3443

EMAIL: techsvc@yourheater.com or visit our website at www.yourheater.com