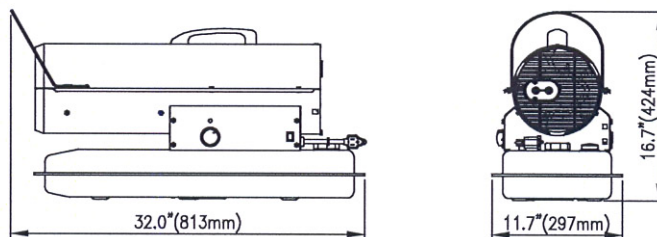
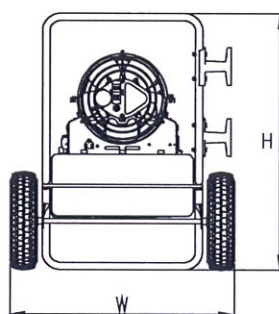
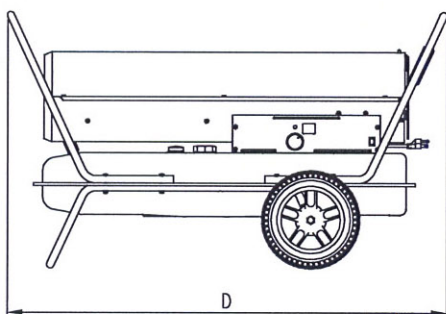


SPECIFICATIONS



DFA-50 / DFA-75T Models



	DFA-125C	DFA-170CV DFA-210CV
D	38.3"(972 mm)	45.1"(1,145 mm)
W	21.5"(547 mm)	23.1"(587 mm)
H	24.6"(625 mm)	26.1"(664 mm)

DFA-125C / DFA-170CV / DFA-210CV Models

MODEL		DFA-50	DFA-75T	DFA-125C	DFA-170CV	DFA-210CV
BTU/Hr.	HIGH	50,000	75,000	125,000	170,000	210,000
	LOW	N/A	N/A	N/A	135,000	170,000
Fuel Consumption - Gal./Hr(ℓ./Hr)	HIGH	0.38(1.44)	0.57(2.16)	0.95(3.60)	1.30(4.92)	1.60(6.06)
	LOW	N/A	N/A	N/A	1.0(3.79)	1.30(4.92)
Fuel Tank Capacity - Gal.(ℓ)		5.0(18.9)	5.0(18.9)	10.0(37.9)	13.0(49.2)	13.0(49.2)
Pump Pressure PSI(kgf/cm ²)	HIGH	3.8(0.27)	3.8(0.27)	5.5(0.39)	6.5(0.46)	8.5(0.60)
	LOW	N/A	N/A	N/A	4.5(0.32)	6.5(0.46)
Volt/Hz		120Vac/60hz	120Vac/60hz	120Vac/60hz	120Vac/60hz	120Vac/60hz
Amps.		1.6	1.6	2.5	3.2	3.7
Phase		1	1	1	1	1
Size(D×W×H), Inch(mm)		32.0×11.7×16.7 (813×297×424)	32.0×11.7×16.7 (813×297×424)	38.3×21.5×24.6 (972×547×625)	45.1×23.1×26.1 (1,145×587×664)	45.1×23.1×26.1 (1,145×587×664)
Weight Lbs.(kg)		26.0(11.8)	26.0(11.8)	52.9(24.0)	58.9(26.7)	64.4(29.2)

NEVER LEAVE THE HEATER UNATTENDED WHILE BURNING!

This document is for reference purposes and not intended to replace your owner's manual. It is important to read your owner's manual in its entirety which has been designed to instruct you as to the proper manner in which to assemble the heater, maintain the heater, store the heater, and most importantly, how to operate the heater in a safe and efficient manner