

Comfort Glow™

EF6021R

**Freestanding
Electric Fireplace**

Installation Instructions and Homeowner's Manual

WARNING! IF THE INFORMATION IN THIS MANUAL IS NOT FOLLOWED EXACTLY, A FIRE MAY RESULT CAUSING PROPERTY DAMAGE, PERSONAL INJURY OR LOSS OF LIFE.



Comfort Home Products, Inc.
12256 William Penn Hwy, Ste A
Huntingdon, PA 16652
Made in China
Printed in China

PHONE NUMBER: (814) 643-1775
<http://www.worldmkting.com>

FOR YOUR SAFETY

**DO NOT STORE
OR USE GASOLINE OR
OTHER FLAMMABLE VAPORS
OR LIQUIDS
IN THE VICINITY OF THIS OR
ANY OTHER APPLIANCE**

ANSI/UL 1278. MOVABLE AND WALL OR CEILING HUNG ELECTRIC ROOM HEATERS

**INSTALLER: DO NOT DISCARD THIS MANUAL - LEAVE FOR HOME OWNER
CUSTOMER: PLEASE RETAIN THIS MANUAL FOR FUTURE USE**

TABLE OF CONTENTS

**PLEASE READ THE INSTALLATION & OPERATIONS INSTRUCTIONS
BEFORE USING THIS APPLIANCE**

IMPORTANT: Read all instructions and warnings carefully before starting installation. Failure to follow these instructions may result in a possible electric shock, fire hazard and will void the warranty.

Installation instructions	2
General.....	2
Locating Your Electric Fireplace.....	3
Clearance To Combustibles.....	3
Electrical Connections.....	3
Electrical Specifications.....	3
Parts List.....	4
Assembly Instructions.....	4,5,6
Service Instructions	8
Replacing Light Bulbs.....	8
Glass Information.....	8
Maintenance of Motors.....	8
Cleaning Instructions.....	8
Operating Instructions	7
On/Off Switch.....	7
Heater Control.....	7
Instructions for power.....	9
Specifications.....	9
Replacement Parts List	10

IMPORTANT SAFETY INSTRUCTIONS

PLEASE RETAIN THIS USER'S GUIDE FOR FUTURE REFERENCE

When using electrical appliances, basic precautions should always be followed to reduce the risk of fire, electric shock, and injury to person, including the following:

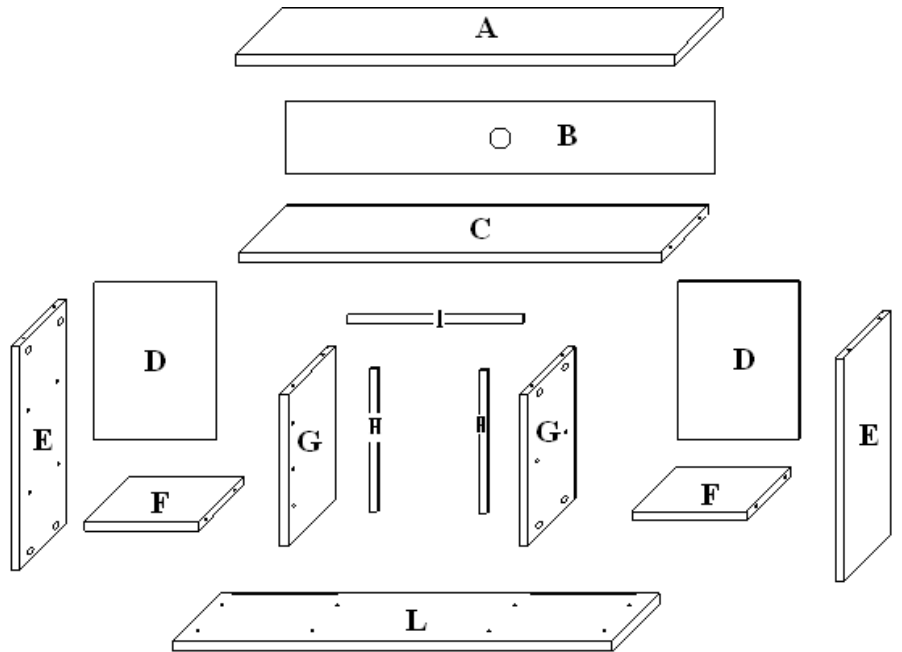
1. Read all instructions before using this fireplace.
2. This fireplace is hot when in use. To avoid burns, do not let bare skin touch hot surfaces. The grill directly in front of the heater outlet becomes hot during heater operation. Keep combustible materials, such as furniture, pillows, bedding, papers, clothes, and curtains at least 3 feet from the front of the unit.
3. **CAUTION: Extreme caution is necessary when any heater is used by or near children or invalids and whenever the fireplace is left operating and unattended.**
4. **Always unplug fireplace when not in use.**
5. **Do no operate any fireplace with a damaged cord or plug or after the heater has malfunctioned, or if the fireplace has been dropped or damaged in any manner. Take fireplace to authorized service facility for examination, electrical or mechanical adjustment or repair.**
6. Do not use outdoors.
7. This fireplace is not intended for use in bathrooms, laundry areas or similar indoor locations. Never locate fireplace where it may fall into a bathtub or other water container.
8. Do not install the fireplace directly on carpet or a similar surface, which may restrict air circulation beneath the unit.
9. Do not run cord under carpeting. Do not cover cord with throw rugs, runners or the like. Arrange cord away from traffic areas and where it will not be tripped over.
10. To disconnect fireplace, turn controls to the off position and remove plug from outlet.
11. Do not insert or allow foreign objects to enter any ventilation or exhaust opening as this may cause electric shock, fire or damage to the fireplace.
12. To prevent fire, do not block air intakes or exhaust in any manner. Do not use on soft surfaces, such as a bed, where openings may become blocked.
13. **CAUTION:** This appliance gets hot and it contains internal parts that could arc or spark. Do not use it in areas where gasoline, paint, or flammable liquids are used or stored. This electric fireplace should not be used as a drying rack for clothing. Also, do not have Christmas stockings or decorations hung on or near it.
14. Do not modify this fireplace. Use it only as described in this manual. Any other use not recommended by the manufacturer may cause fire, electric shock or injury to persons.
15. Avoid the use of an extension cord because it may overheat and cause a risk of fire. However if you must use an extension cord, the cord shall be NO. 16 AWG minimum size and rated not less than 1875 watts.
16. Do not burn wood or other materials in this fireplace.
17. Do not strike fireplace glass.
18. Always use a certified electrician should new circuits or outlets be required.
19. Always use properly grounded, fused and polarized outlets.
20. Always use ground fault protection where required by electrical code.
21. Always disconnect power before performing any cleaning, maintenance or relocation of the fireplace.
22. When transporting or storing the fireplace and cord, keep in a dry place, free from excessive vibration and store so as to avoid damage.
23. Do not plug this product into a receptacle controlled by a wall switch or dimmer.
24. Do not exceed recommended bulb wattage. Using a higher wattage bulb could create a fire hazard or cause damage to your electric fireplace.
25. **SAVE THESE INSTRUCTIONS.**

ASSEMBLY INSTRUCTIONS

NOTE: A complete electric fireplace heater should consist of two parts, the wooden mantle and the fireplace heater each packed in a separate carton. It is not recommended to use the fireplace heater without the wooden mantle. Unpack the fireplace heater and mantle. Remove all packing materials.

Part List

A)Top Panel	1 pc
B)Middle Back Panel	1 pc
C)Middle Panel	1 pc
D)Left&Right Back Panels	2pcs
E)Left&Right Panels	2pcs
F)Middle Front Panels	2pcs
G)Left&Right Small Panels	2pcs
H)Left&Right Small Front Panels	2pcs
I)Middle Small Front Panels	1pc
J)Mounting Heater	2pcs
K)Mounting Brackets	2pcs
L)Base Panel	1pc
M)Locking Screws	28pcs
N)Locking Nuts	28pcs
O)KD Screws	9pcs

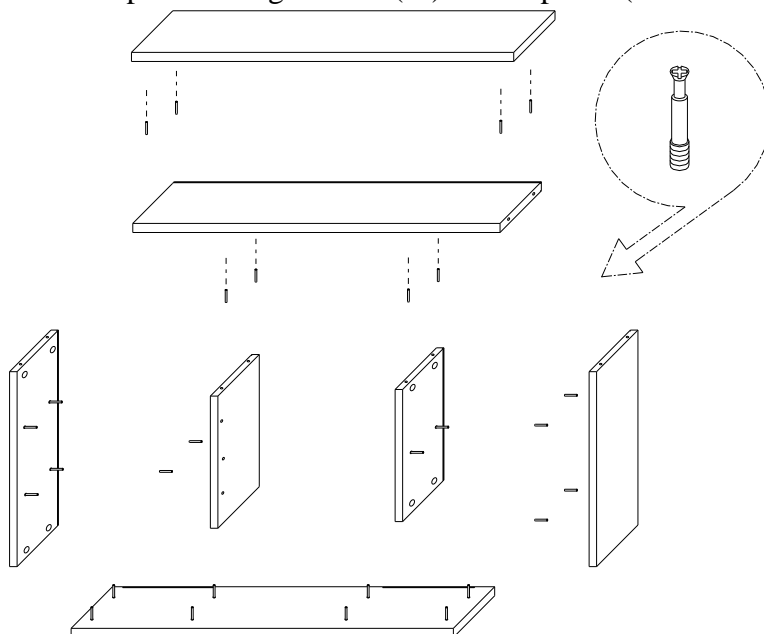


WARNING: Make sure the fireplace INSERT controls are in the OFF position and the INSERT is NOT plugged in.

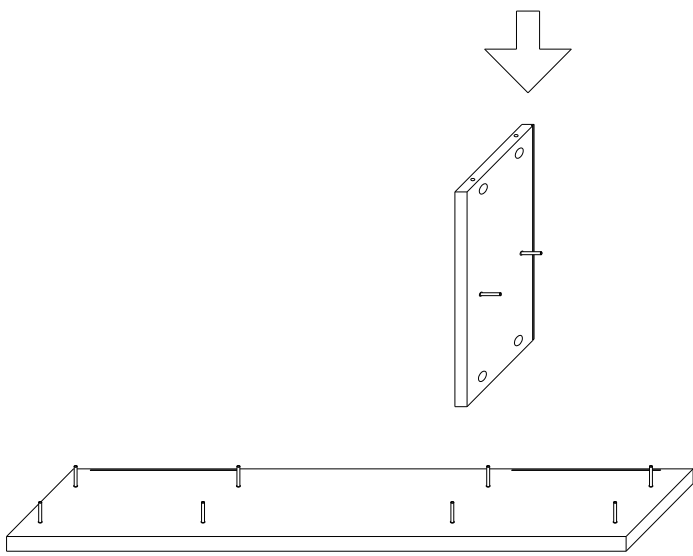
CAUTION: Place a piece of cardboard or protective sheet on the floor in order to avoid scratching the decorative surface of your mantle during assembly.

Please **DO NOT** fully tighten the KD screws until all panels are assembled.

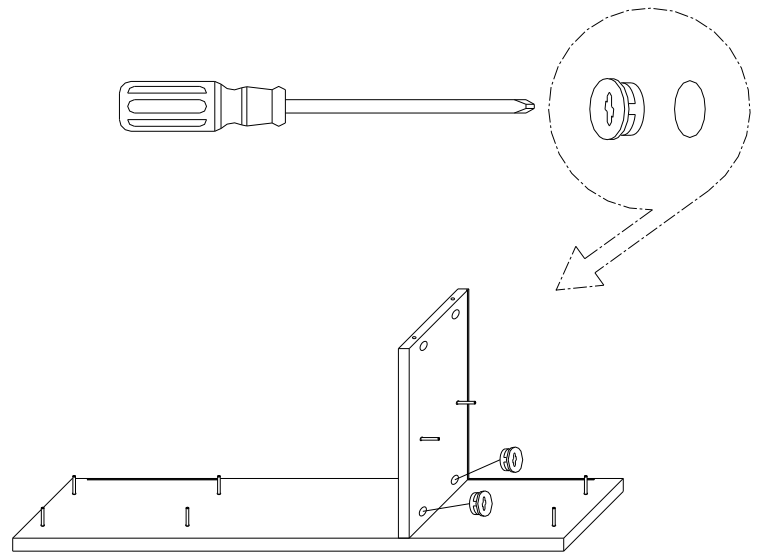
Step 1 Attached 28pcs Locking Screws (M) to The panels(A.B.E.G.L) as show in Fig A



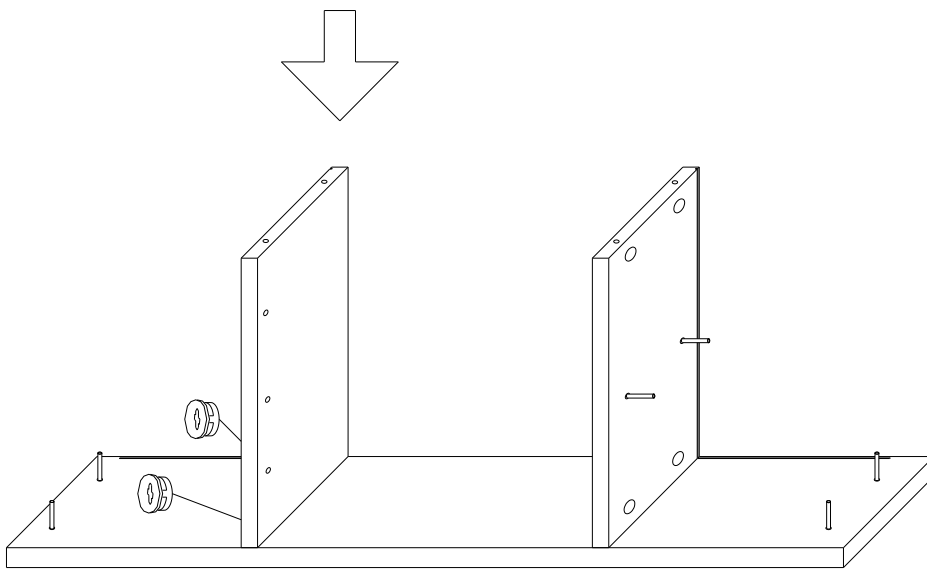
Step 2 Put the Left & Right small panels(G) to the base panel(L) and Insert 4Locking Nuts(N) into each of these holes keeping the screw head (+) facing out to enable tightening with screwdriver. See Fig B,C,D



B

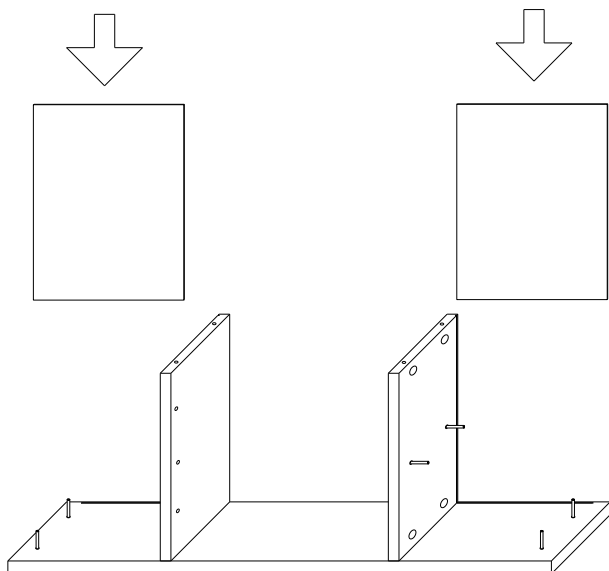


C



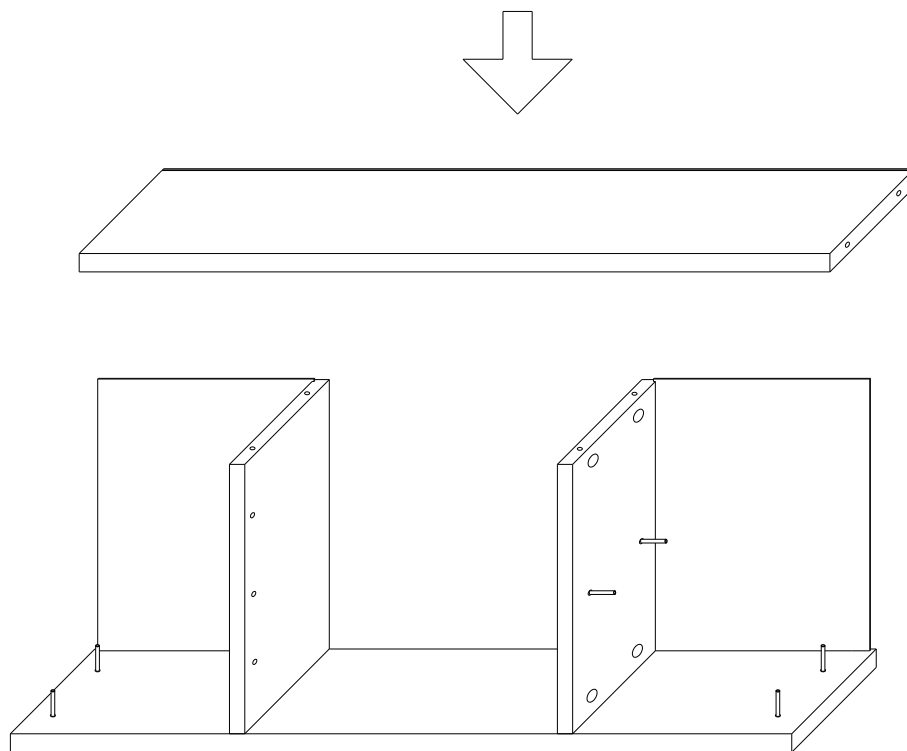
D

Step 3 Put the Left&Right Back Panels(D) into the Base Panel(L).SeeFig E

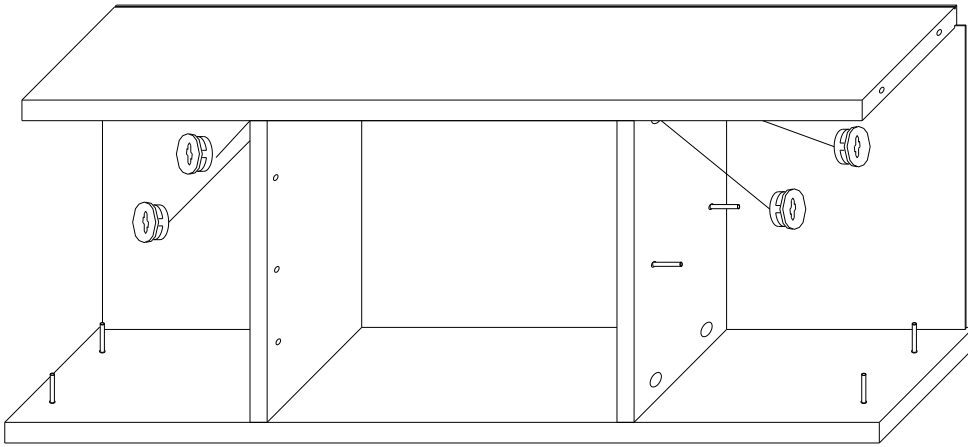


E

Step 4 Put the Middle Panel(C) into the body and Insert 4Locking Nuts(N) into each of these holes keeping the screw head (+) facing out to enable tightening with screwdriver.See Fig F,G

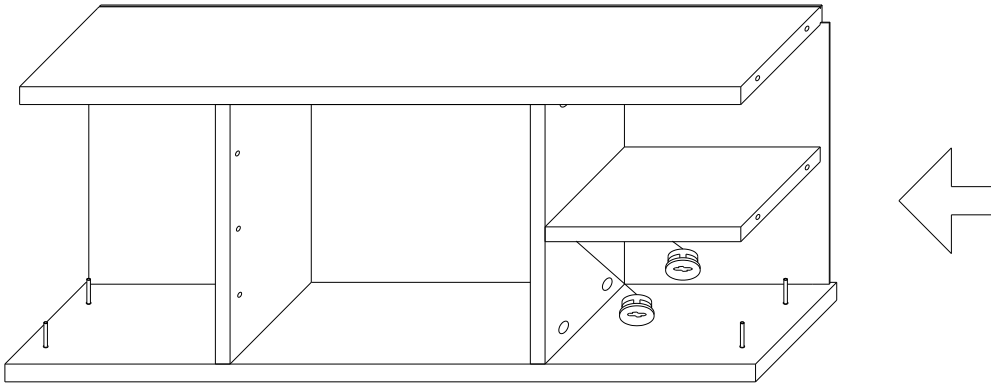


F

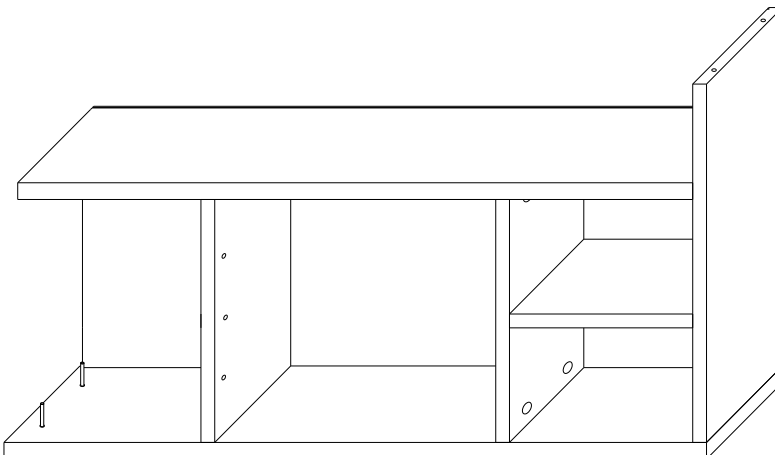
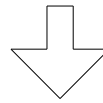


G

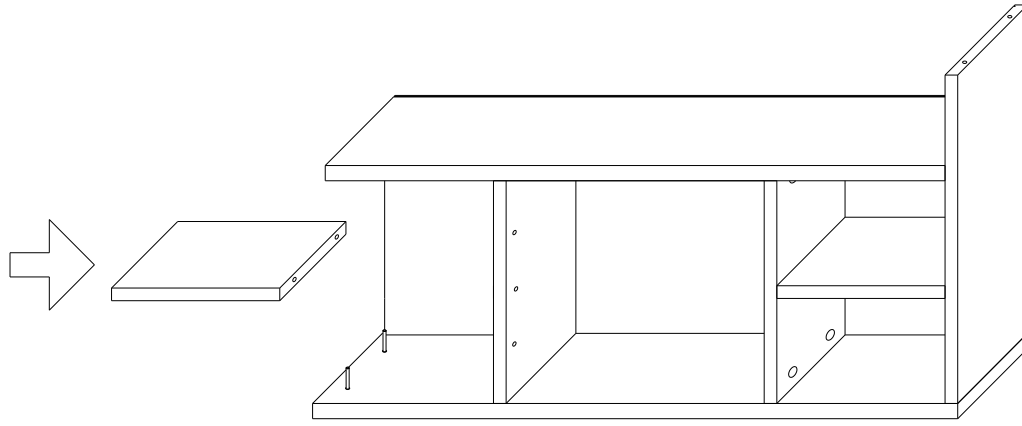
Step 5 Put the Middle Front Panels (F) to Left&Right small panels(G) and Insert 4Locking Nuts(N) into each of these holes keeping the screw head (+) facing out to enable tightening with screwdriver. Then put the Left &Right Panels(E) to the Base Panel(G) and Insert 4Locking Nuts(N) into each of these holes keeping the screw head (+) facing out to enable tightening with screwdriver. See Fig H,I,J,K,L



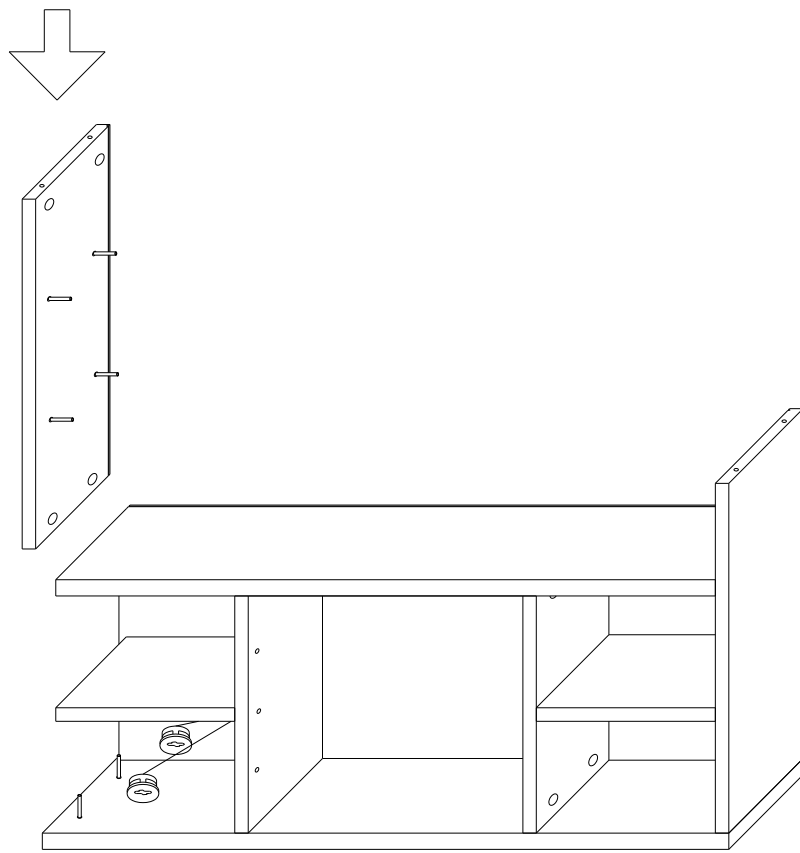
H



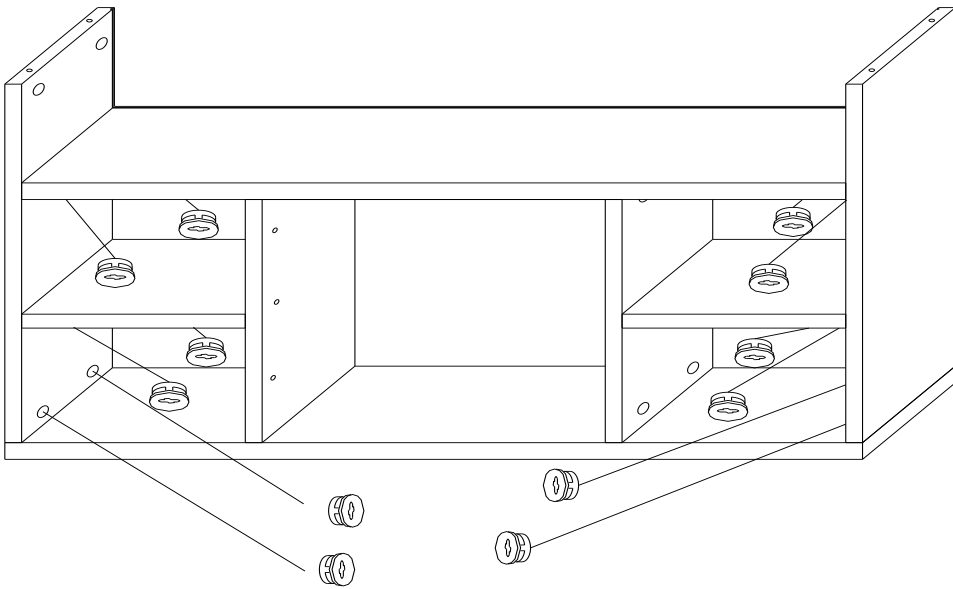
I



J

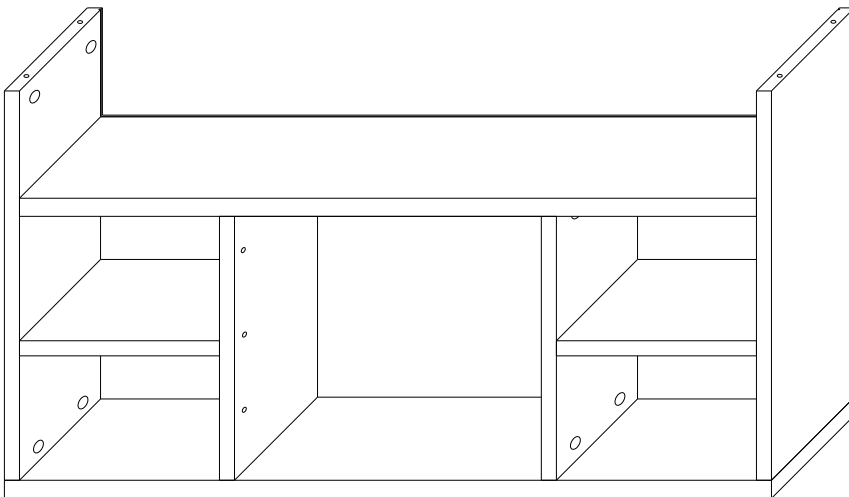
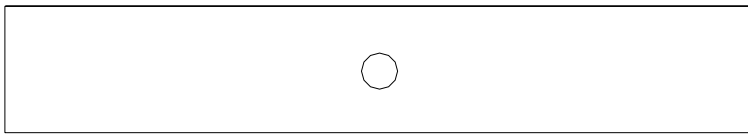
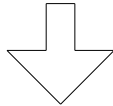


K



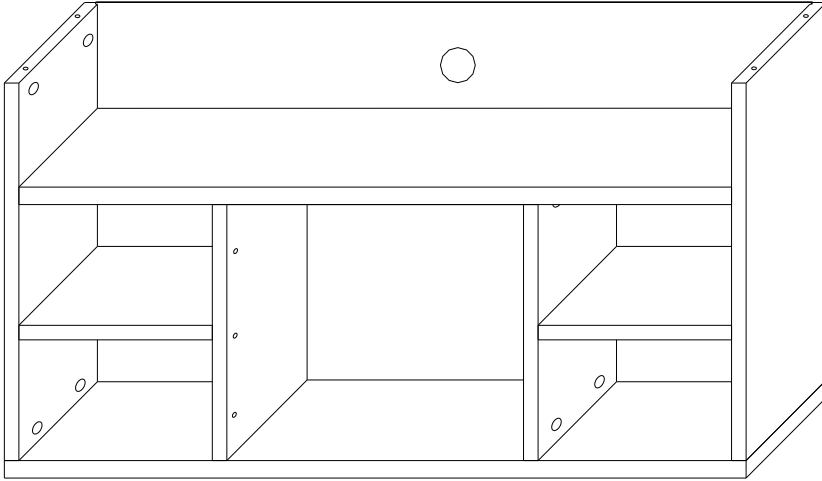
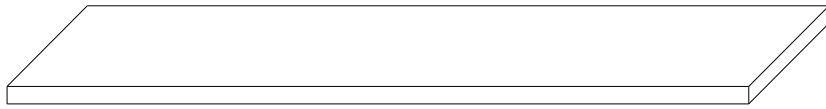
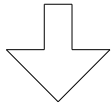
L

Step 6 Put the Middle Back Panel(B) to Middle Panel(C) as show on Fig M

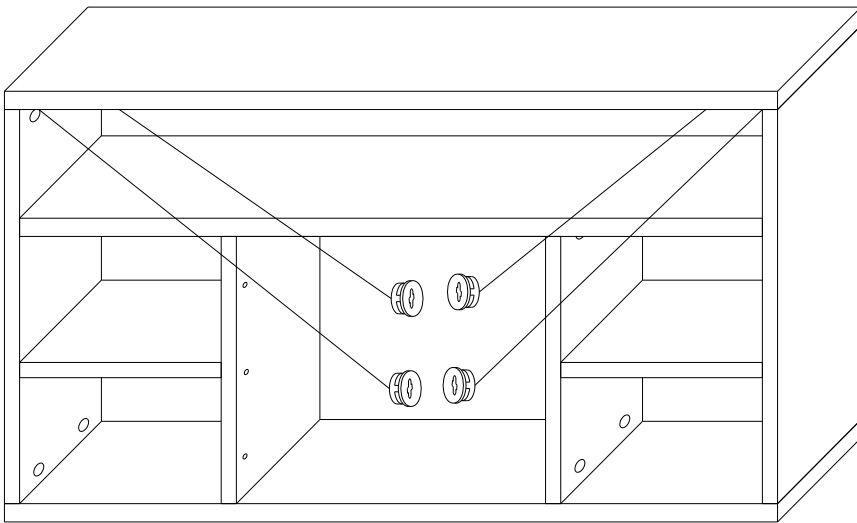


M

Step 7.Put the Top Panel(A) to the Left&Right Panels(E) and Insert 4Locking Nuts(N) into each of these holes keeping the screw head (+) facing out to enable tightening with screwdriver.See Fig N.Q

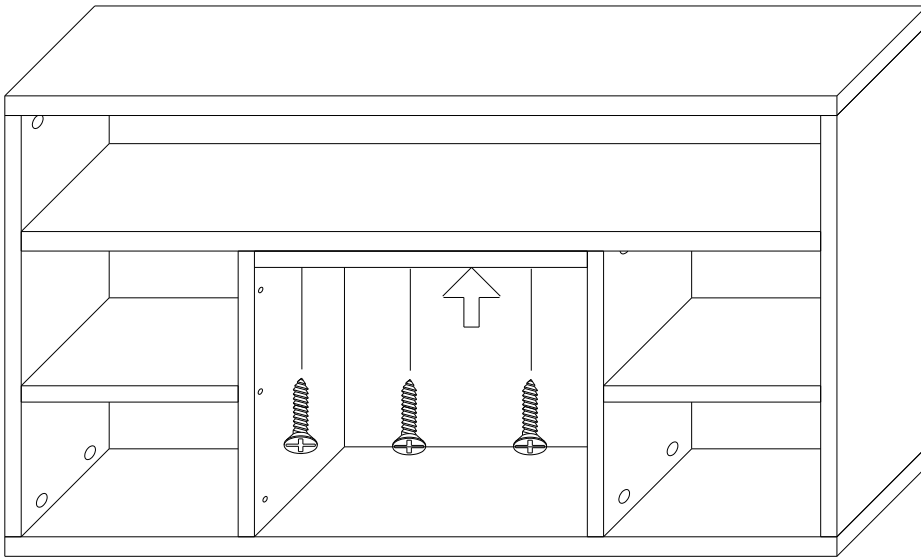


N



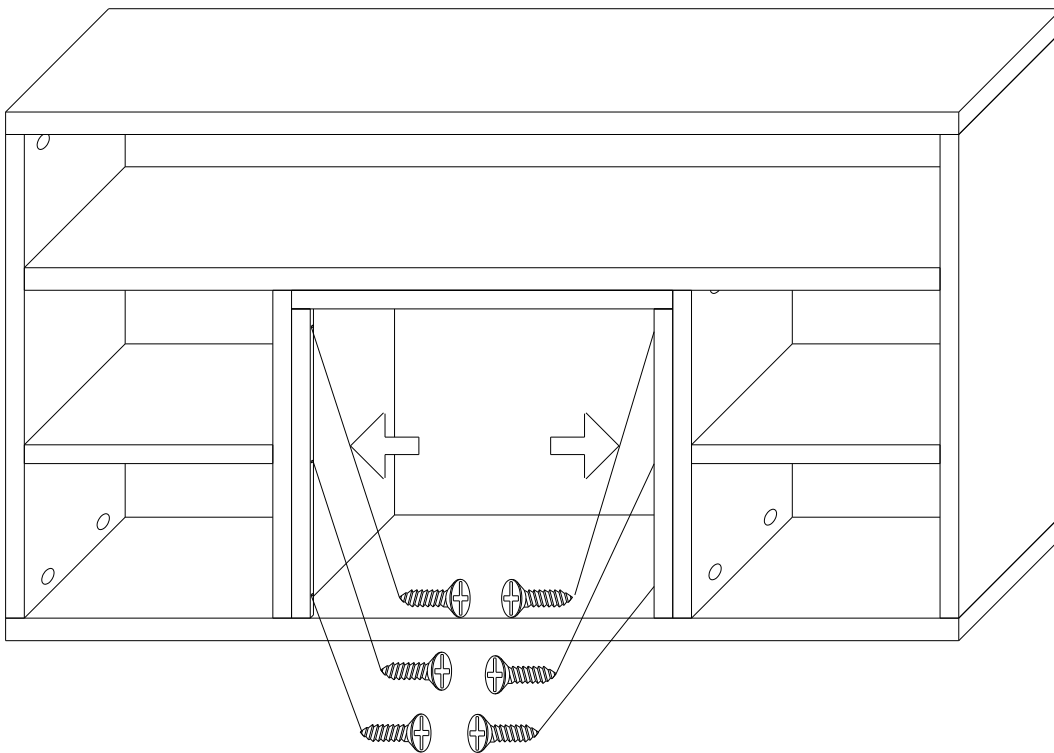
O

Step 8. Connect the Middle Small Front Panel(I) to the Middle Panel(C) by 3 KD Screws as shown on Fig P



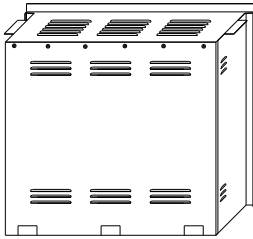
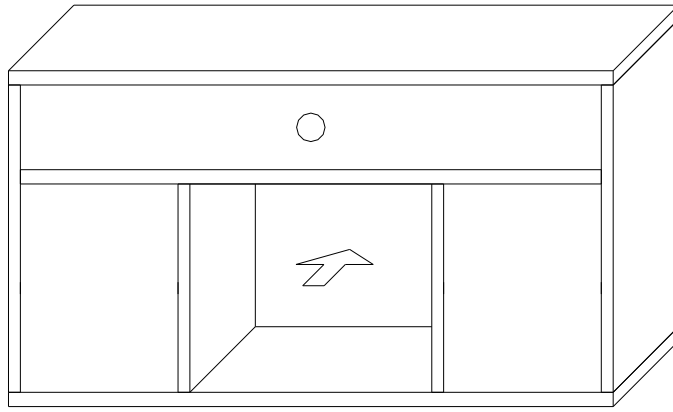
P

Step 9. Connect the Left&Right Small Front Panels(H) to the Left&Right samll Panels(G) by 6 KD Screws as shown on Fig Q

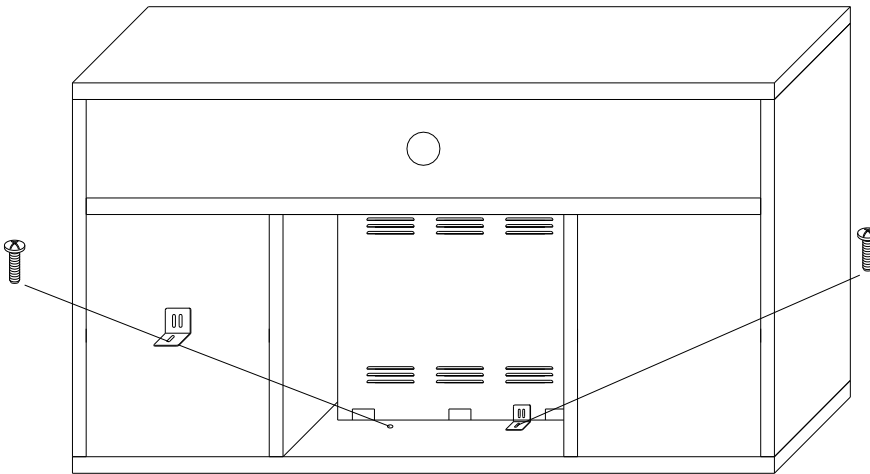


Q

Step 10. Put the insert in place and install the insert to the mantle with 2 Mounting heaters and 2 Mounting Brackets see Fig R.S



R



S

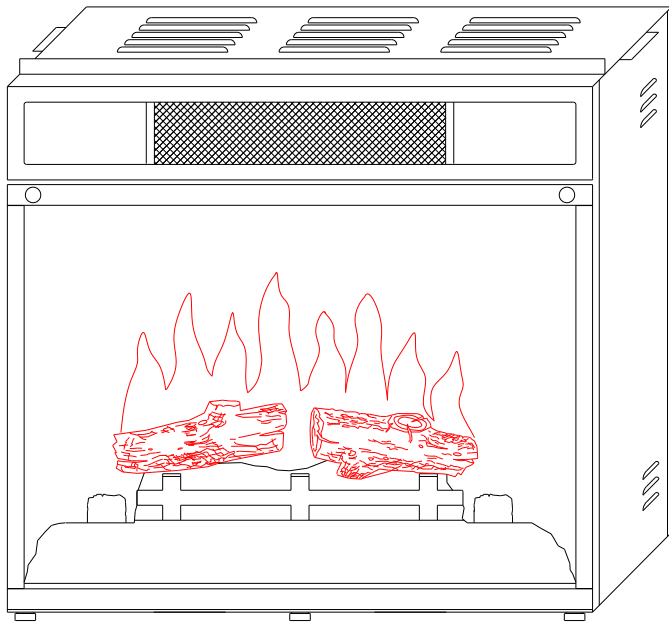
Step 11. Tighten all KD Screws

OPERATING INSTRUCTIONS

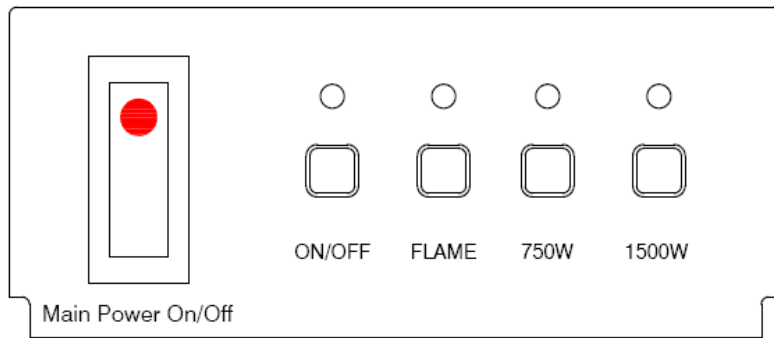
Once the fireplace heater insert has been properly installed and connected to a ground electrical outlet, it is ready to operate.

Note: Ensure the circuit breakers for the power supply are turned on.

The controls are located behind the grill below front glass and can be accessed by pulling the grill up from the top, forward and down.



Lift front grill to access the switches.



1. The round dial on the far left is the thermostat that automatically turns the heaters on and off to maintain a constant temperature. Turn the thermostat dial to the right to increase the desired temperature and the left to lower it. Once the room reaches the desired temperature, turn the thermostat dial counter-clockwise until you hear a click. Leave in this position to maintain the room temperature at its current setting.
2. The switch on the left turns the heater on at 1500 watts. Press this switch while the ON/OFF switch and the 750W switch are in the on position for high heat. The indicator light will turn on.
3. The middle switch turns the heater on at 750 watts. Press this switch while the ON/OFF switch is in the on position for low heat. The indicator light will turn on.
4. The right switch is the main power switch "ON/OFF". Press this button for main power and flame effect. The indicator light will turn on.
5. The round dial on the right adjusts the intensity of the simulated flame effect. Turn this dial until desired flame effect is reached.

SERVICE INSTRUCTIONS



WARNING: Disconnect power before attempting any maintenance or cleaning to reduce the risk of fire, electrical shock or personal injury.



WARNING: Do not exceed 40 Watts per light bulb. Use of a higher rated bulb may result in a fire causing property damage and personal injury.

REPLACING LIGHT BULBS

There are two (2) 40W light bulbs located under the logset bed. Remove the four (4) screws on the cover located on the back of the fireplace and then remove the rear cover of the unit.



CAUTION: The bulbs in your unit can become extremely hot. Allow at least 15 minutes between turning off the unit and removing the light bulbs to avoid hot bulbs coming in contact with the skin.

To remove bulbs: Hold socket and pull the old bulbs out.

To replace bulbs: Hold socket and push in the new bulbs.

MAINTENANCE OF MOTORS

The motors used on both blower fan and flame simulator assembly are prelubricated for the extended warranty of the motor, no further lubrication is required. However, periodic cleaning/vacuuming of the fan/heater unit is recommended.

CAUTION: Even though the glass is safety glass it may break if bumped, struck or dropped. Care must be taken when handling the glass.

GLASS INFORMATION

1. Under no circumstances should this product be operated with missing or broken glass.
2. Do not strike or slam the glass.
3. Do not use abrasive cleaners to clean the

glass.

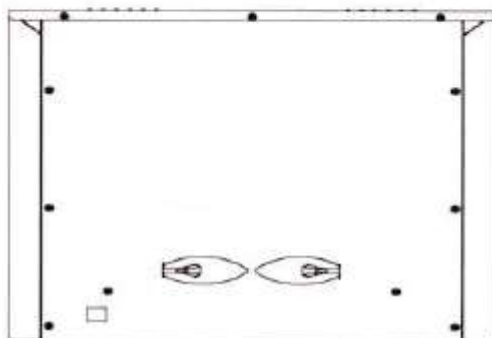


CAUTION: Wait until the unit has completely cooled before attempting any cleaning.

CLEANING

To clean the unit, first turn off controls on unit and unplug unit from power source.

To clean the glass door: remove dust with clean dry cloth or to remove finger prints and other marks clean glass with clean damp cloth. Do not use abrasive cleaners or spray liquids on glass door surfaces.

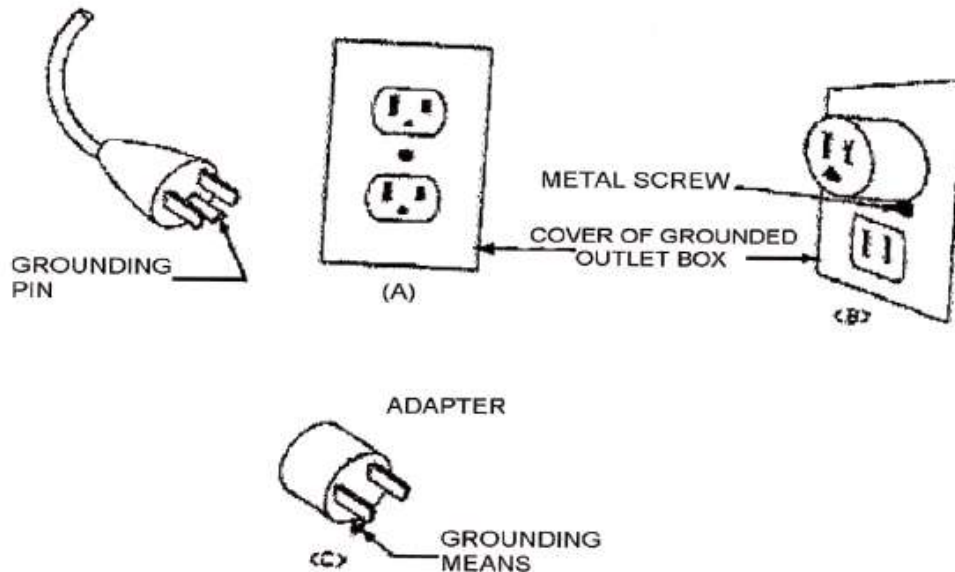


Metal and metal painted parts should be cleaned with clean damp cloth only. Do not use abrasive cleaners or spray liquids on this surface.

INSTRUCTIONS FOR POWER

This heater is for use on 120 volts only. The cord has a plug as shown at (A) in the following figure. An adapter as shown at (C) is available for connecting three-blade grounding-type plugs to two-slot receptacles. The green grounding lug extending from the adapter must be connected to a permanent ground such as a properly grounded outlet box. The adapter should not be used if a three-slot grounded receptacle is available.

WARNING: Before servicing this heater be sure to unplug heater from wall outlet. In addition, not only turn off heater from the main "ON/OFF" switch, be sure to unplug this heater



(Adaptor **NOT** permitted in Canada)
Under CZ22.2 NO. 0 standard

SPECIFICATIONS:

Model: EF6021R

Voltage: 120V/60Hz

Total Amps: 11.3 Amps

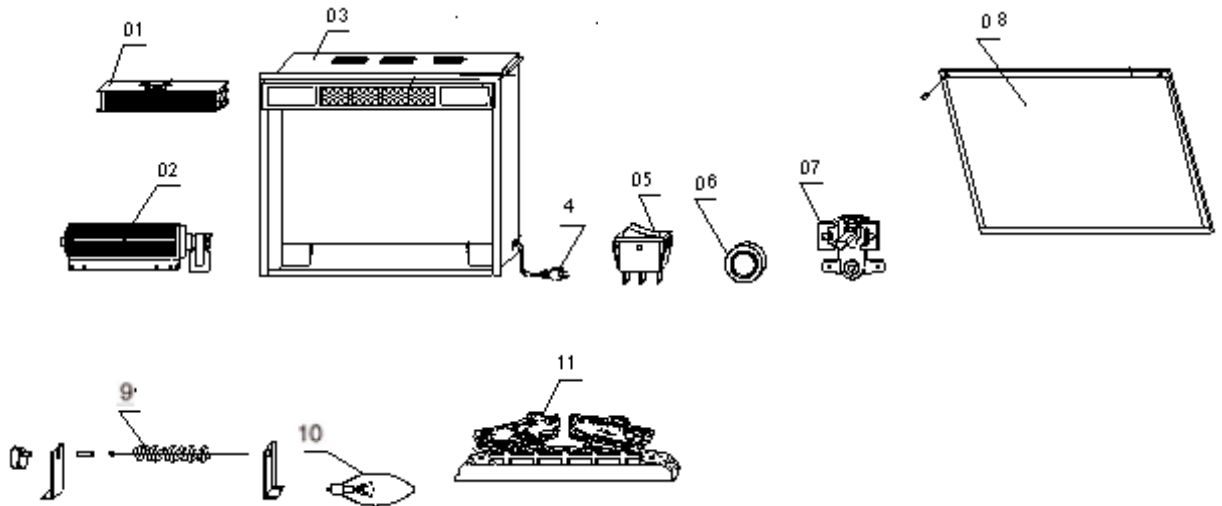
Total Watts: 1500W

Heating Ratings: 1400W (+5%, -10%)

Dimensions, Inches (H x W x D):

Carton: 20.87X53.54X16.54

REPLACEMENT PARTS LIST



<u>ITEM</u>	<u>DESCRIPTION</u>	<u>OEM</u>
1/2	Blower/Moter Heater Assembly	NDF-100NR/51/81
3	Fireplace Cabinet	NDF-100NR/37/18/12
4	Electric Wire	NDF-100NR/89
5	Switch	NDF-100NR/53
6	Knob	NDF-100NR/78
7	Thermostat	NDF-100NR/60
8	Screen	NDF-100NR/41
9.	Flame Generator Motor/Reflector	NDF-100NR/42/43/44/68/69
10	Blub	NDF-100NR95/96/97
11.	Log sets	NDF-100NR/02/03