

Comfort Glow™

Freestanding Electric Fireplace

EF5701
ES5411
EF4534KD

Installation Instructions and Homeowner's Manual

WARNING! IF THE INFORMATION IN THIS MANUAL IS NOT FOLLOWED EXACTLY, A FIRE MAY RESULT CAUSING PROPERTY DAMAGE, PERSONAL INJURY OR LOSS OF LIFE.



Comfort Home Products, Inc.
12256 William Penn Hwy, Ste A
Huntingdon, PA 16652

Made in China

FOR YOUR SAFETY

**DO NOT STORE
OR USE GASOLINE OR
OTHER FLAMMABLE VAPORS
OR LIQUIDS
IN THE VICINITY OF THIS OR
ANY OTHER APPLIANCE**

COMFORT GLOW PHONE NUMBER: (814) 643-1775
<http://www.worldmkting.com>

ANSI/UL 1278. MOVABLE AND WALL-OR CEILING HUNG ELECTRIC ROOM HEATERS

**DO NOT DISCARD THIS MANUAL - LEAVE FOR HOME OWNER
CUSTOMER: PLEASE RETAIN THIS MANUAL FOR FUTURE USE**

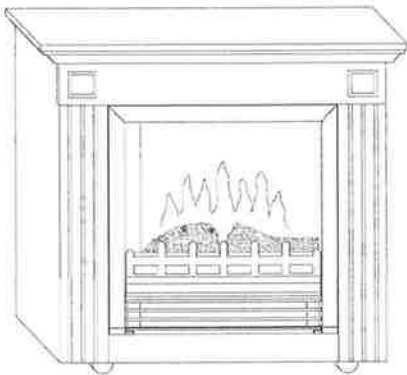
TABLE OF CONTENTS

PLEASE READ THE INSTALLATION & OPERATIONS INSTRUCTIONS BEFORE USING THIS APPLIANCE

IMPORTANT: Read all instructions and warnings carefully before starting installation. Failure to follow these instructions may result in a possible electric shock, fire hazard and will void the warranty.

<u>Table of Contents</u>	2
<u>Specifications</u>	3
<u>Important Safety Instructions</u>	4
<u>Power Instructions</u>	5
<u>Heater Operation</u>	6
<u>Service, Maintenance</u>	7-8
<u>EF4534KD Assembly Instructions</u>	9-12
<u>Replacement Parts</u>	13
<u>Warranty Guidelines</u>	14-16

SPECIFICATIONS



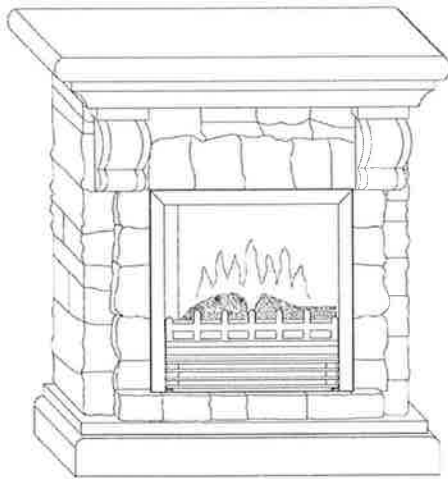
Model: EF5701

Voltage: 120V/60Hz
 Total Amps: 10.4A
 Total Watts: 1250W
 Heating Ratings: 1150W
 (+5%, -10%)

Dimensions, Inches (H x W x D):
 Fireplace: 23.6 x 25.07 x 12.04
 Carton: 25.79 x 27.95 x 15.35

CLEARANCE TO COMBUSTIBLES:

Back.....0"/0mm
 Sides.....0"/0mm
 Floor.....0"/0mm
 Top.....24"/610mm
 Front.....36"/915mm



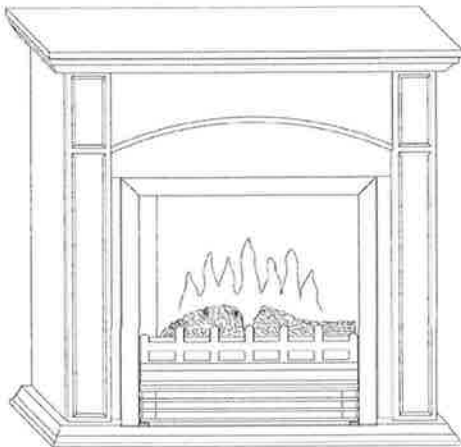
Model: EF5411

Voltage: 120V/60Hz
 Total Amps: 10.4A
 Total Watts: 1250W
 Heating Ratings: 1150W
 (+5%, -10%)

Dimensions, Inches (H x W x D):
 Fireplace: 29.52 x 29.7 x 10.23
 Carton: 33.86 x 33.86 x 13.38

CLEARANCE TO COMBUSTIBLES:

Back.....0"/0mm
 Sides.....0"/0mm
 Floor.....0"/0mm
 Top.....24"/610mm
 Front.....36"/915mm



Model: EF4534KD

Voltage: 120V/60Hz
 Total Amps: 10.4A
 Total Watts: 1250W
 Heating Ratings: 1150W
 (+5%, -10%)

Dimensions, Inches (H x W x D):
 Fireplace: 26.37 x 27.95 x 8.26
 Carton: 20.07 x 29.84 x 10.31

CLEARANCE TO COMBUSTIBLES:

Back.....0"/0mm
 Sides.....0"/0mm
 Floor.....0"/0mm
 Top.....24"/610mm
 Front.....36"/915mm

Assembly Required

**INTENDED USE: This product is intended only for indoor household or office use.
It is NOT intended for industrial or commercial use. DO NOT USE OUTDOORS**

IMPORTANT INSTRUCTIONS

PLEASE READ AND SAVE THESE IMPORTANT SAFETY INSTRUCTIONS When using electrical appliances, basic precautions should always be followed to reduce the risk of fire, electrical shock, and injury to persons, including the following:

1. Read all instructions before using this heater.
2. This heater is hot when in use. To avoid burns, do not let bare skin touch hot surfaces. If provided, use handles when moving this heater. Keep combustible materials, such as furniture, pillows, bedding, papers, clothes and curtains at least 3 feet (0.9m) from the heater.
3. Extreme caution is necessary when any heater is used by or near children, pets or invalids and whenever the heater is left operating unattended.
4. Use your heater only in dry environments. This heater is not intended for use in bathrooms, laundry areas and similar indoor locations. Never locate the heater where it may fall into a bathtub or other water container. Do not use your heater outdoors. Do not use near sinks, swimming pools or other damp areas such as flooded basements, garages, etc or anyplace where the heater could come in contact with water.
5. A heater has hot and arcing parts inside. Do not use in areas where gasoline, paint, or flammable liquids are used or stored.
6. To disconnect heater, first turn controls to off, then remove plug from outlet. Always unplug the heater when not in use.
7. Always unplug heater by removing the plug end from the outlet when not in use. Never unplug by pulling on the cord as this can damage the power cord.
8. Do not operate any heater with a damaged cord or plug or after the heater malfunctions, has been dropped or damaged in any manner. Return heater to authorized service facility for examination, electrical or mechanical adjustment or repair.
9. Always plug heaters directly into a wall outlet/receptacle. Never use with an extension cord or relocatable power strip.
10. Do not run cord under carpeting. Do not cover cord with throw rugs, runners, or similar coverings. Arrange cord away from traffic area and where it will not be tripped over.
11. It is normal for the plug to feel warm to touch; however, a loose fit between the AC outlet (receptacle) and plug may cause overheating and distortion of the plug. Contact a qualified electrician to replace loose or worn outlet.
12. Do not insert or allow foreign objects to enter any ventilation or exhaust opening as this may cause an electrical shock or fire, or damage the heater.
13. To prevent a possible fire, do not block air intakes or exhaust in any manner. Do not use on soft surfaces, like a bed, where openings may become blocked.
14. Do not operate heater with any safeguards removed.
15. Use this heater only as described in this manual. Any other use not recommended by the manufacturer may cause fire, electric shock, or injury to persons.
16. This heater draws 12.5 amps during operation. To prevent overloading a circuit, do not plug the heater into a circuit that already has other appliances working.
17. Do not use outdoors.

INSTRUCTIONS FOR POWER

WARNING: Before servicing this heater be sure to unplug heater from wall outlet. Do not only turn off heater from the main "ON/OFF" switch, be sure to unplug this heater.

Note: The power cord has a polarized plug (with one blade wider than the other) that will only fit in a polarized outlet one way. If it does not insert easily try reversing the plug. If it still does not fit contact your electrician to replace your outlet. DO NOT defeat the safety purpose of the polarized plug.

ELECTRICAL CONNECTION

A 15 AMP, 120 Volt, 60Hz circuit with a properly grounded outlet is required. Preferably, the heater will be on a dedicated circuit. Other appliances on the same circuit may cause the circuit breaker to trip or the fuse to blow when the heater is in operation. The unit comes standard with a 6' (1828mm) long three wire cord exiting from the rear of the fireplace.



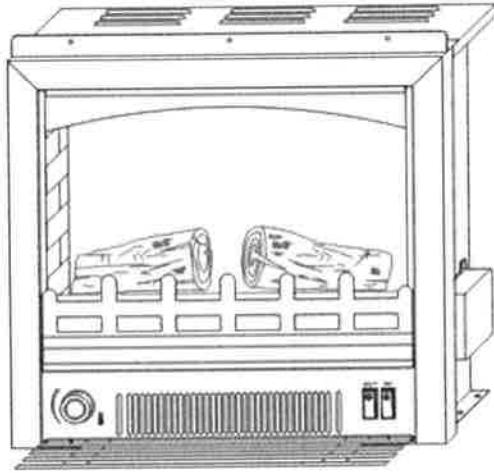
WARNING: Electrical outlet wiring must comply with local building codes and all other applicable regulations to reduce the risk of fire, electrical shock and injury.

WARNING: Do not use this fireplace if any part of it has been under water. Immediately call a qualified service technician to inspect the fireplace and replace any part of the electrical system if necessary.

OPERATING INSTRUCTIONS

Once the fireplace heater insert has been properly installed and connected to a ground electrical outlet, it is ready to operate. Note: ensure the circuit breakers for the power supply are turned on.

The controls are located behind the grill below front glass and can be accessed by pulling the grill up from the top, forward and down.



Lift front grill to access the switches.

1. **On/Off:** Press this button for main power and flame effect. The indicator light will be on. See below for other control switches.
2. **Heat:** For heat function - Press this switch while the On/Off switch is in the ON position. The indicator light will be ON.
3. **Temperature Control:** To adjust the temperature to your individual requirements, turn the temperature control dial to the right (clockwise) to increase the desired temperature and to the left for lower temperature. This temperature control dial can only be used while the On/Off switch and Heat switches are in the ON position.

Note: When the On/Off switch is turned off, all other heater functions will stop even though the switches may be in the on position.

SERVICE AND MAINTENANCE

Disconnect power and unplug the power cord before attempting any maintenance or cleaning to reduce the risk of fire, electric shock or damage to persons. The bulbs in your unit can become extremely hot. Allow at least 15 minutes between turning off the unit and removing the light bulbs to avoid the accidental burning of skin.

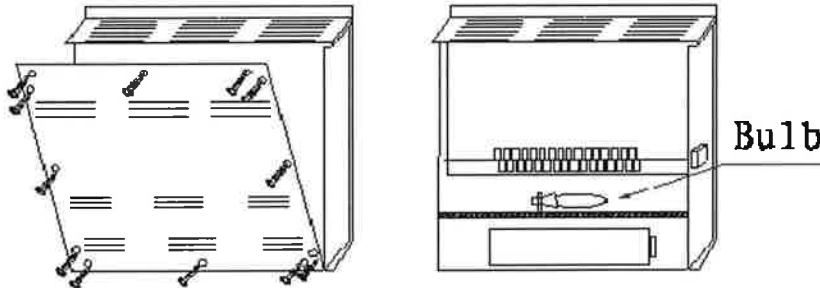
REPLACING THE LIGHT BULB



CAUTION: The bulbs in your unit can become extremely hot. Allow at least 15 minutes between turning off the unit and removing the light bulbs to avoid hot bulbs coming in contact with the skin.

There is one 40-watt light bulb located under the log-set bed

1. Unplug the unit.
2. Remove 12 screws on the cover located on the back of fireplace and then remove the rear cover of the unit. There are 2 larger screws and 10 smaller screws.
3. Loosen and remove the burnt out bulb. Relace with new 40-watt light bulb.
4. Return acess panel and replace screws.
5. Plug the unit in.



WARNING: Do not exceed 40 Watts for light bulb. Use of a higher rated bulb may result in a fire causing property damage and personal injury.

MAINTENANCE OF MOTORS

The motors used on both blower fan and flame simulator assembly are prelubricated for the extended warranty of the motor, no further lubrication is required. However, periodic cleaning/vacuuming of the fan/heater unit is recommended.



WARNING: Make sure that the power is turned off before proceeding.

GLASS INFORMATION

1. Under no circumstances should this product be operated with missing or broken glass.
2. Do not strike or slam the glass.
3. Do not use abrasive cleaners to clean the glass.
4. Replacement glass is available from the manufacturer and replacement should be carried out by a qualified service person.



WARNING: Wait until the unit has completely cooled before attempting any cleaning.

CLEANING

To clean the unit, first turn off controls on unit and unplug unit from power source.

To clean the glass door: remove dust with clean dry cloth or to remove finger prints and other marks clean glass with clean damp cloth. Do not use abrasive cleaners or spray liquids on glass door surfaces.

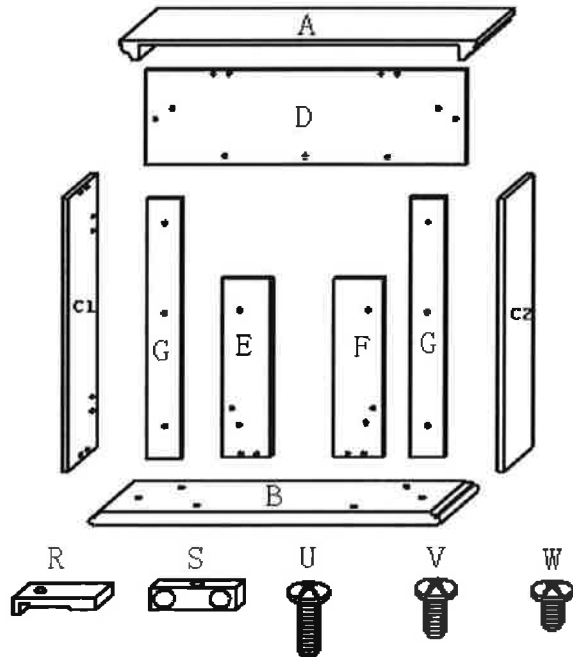
Metal and metal painted parts should be cleaned with clean damp cloth only. Do not use abrasive cleaners or spray liquids on this surface.

ASSEMBLY INSTRUCTIONS

EF4534KD

NOTE: A complete electric fireplace heater should consist of two parts: the wooden mantel and the fireplace heater each packed in a separate carton. It is not recommended to use the fireplace heater without the wooden mantel. Unpack the fireplace heater and mantel. Remove all packing materials.

	<u>PARTS LIST:</u>	<u>QUANTITY</u>
A)	TOP PANEL	1
B)	BASE PANEL	1
C1)	RIGHT SIDE PANEL	1
C2)	LEFT SIDE PANEL	1
D)	FRONT PANEL	1
E)	SMALL RIGHT FRONT PANEL	1
F)	SMALL LEFT FRONT PANEL	1
G)	RIGHT & LEFT FRONT PANEL	2
R)	MOUNTING CLIPS	2
S)	PLASTIC CONNECTORS	12
U)	KD SCREWS (6X18mm)	42
V)	6x12 mm SCREWS	2
W)	6X8 mm SCREWS	3



WARNING: Make sure the fireplace INSERT controls are in the OFF position and the INSERT is NOT plugged in.

CAUTION: Place a piece of cardboard or protective sheet on the floor in order to avoid scratching the decorative surface of your mantel during assembly.

Please **DO NOT** fully tighten the KD screws until all panels are assembled.

Step 1:

Attach all **PLASTIC CONNECTORS (S)** to the **PANELS (C1, C2, D, E and F)** as shown in Figure 1. (2 **KD SCREWS (U)** for each **PLASTIC CONNECTOR(S)**.)

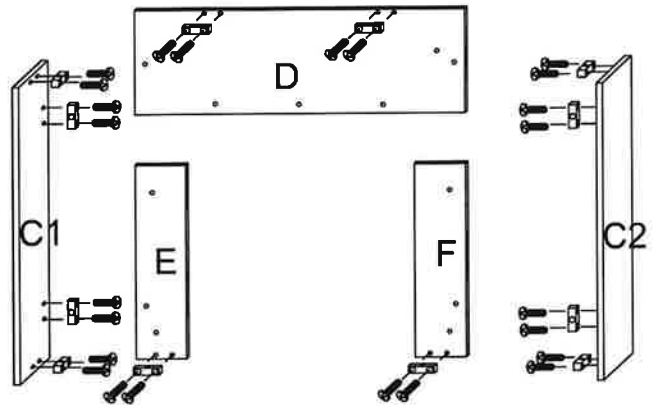


Figure 1

Step 2:

Attach the **Small Front Panels (E & F)** to the **Right & Left FRONT PANEL (G)** with 4 **KD SCREWS (U)** (2 screws for each side). See Figure 2.

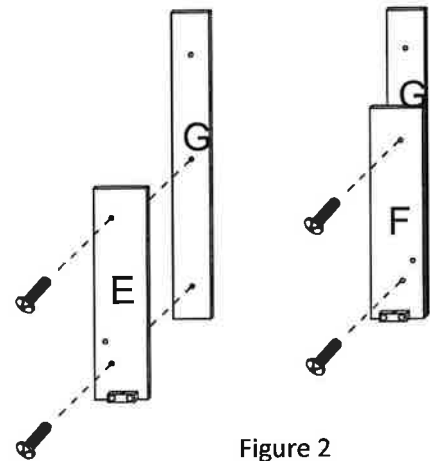


Figure 2

Step 3:

Attach the **Front Panel (D)** to the **Right & Left Front Panels** on top of the panels (E & F) using 2 **KD SCREWS (U)**. See Figure 3.

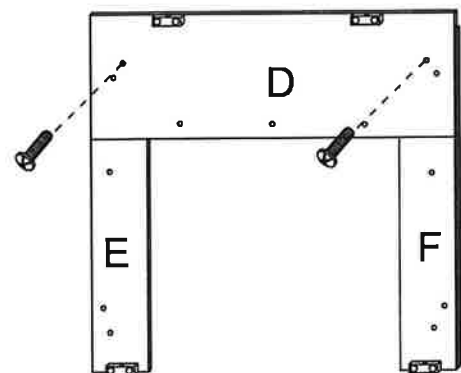


Figure 3

Step 4:

Attach 2 **Left & Right SIDE FRONT PANELS** (C1 & C2) to the **FRONT PANELS** (D, E & F) with 4 **KD SCREWS** (U) (2 screws for each side through the plastic connectors). See Figure 4.

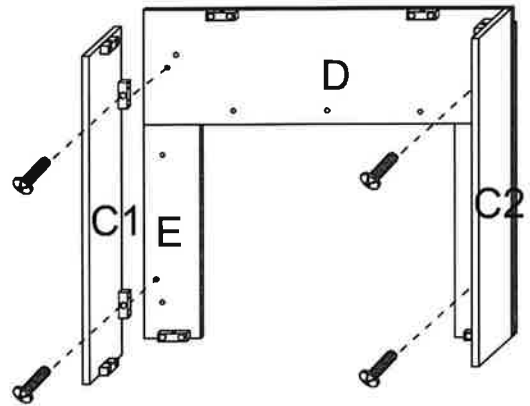


Figure 4

Step 5:

Put the finished mantel assembly onto the **BASE PANEL** (B) with 4 **KD SCREWS** (U). See Figure 5.

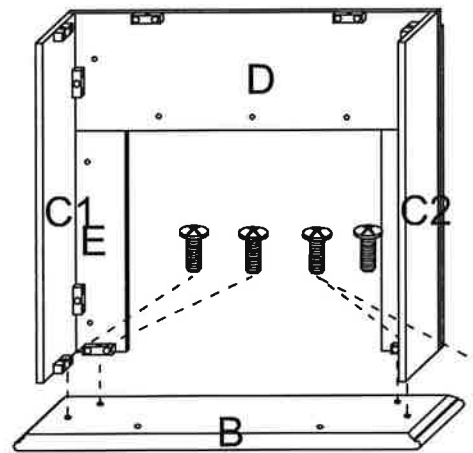


Figure 5

Step 6:

Install the **TOP PANEL** (A) to the finished assembly with 4 **KD SCREWS** (U). See Figure 6.

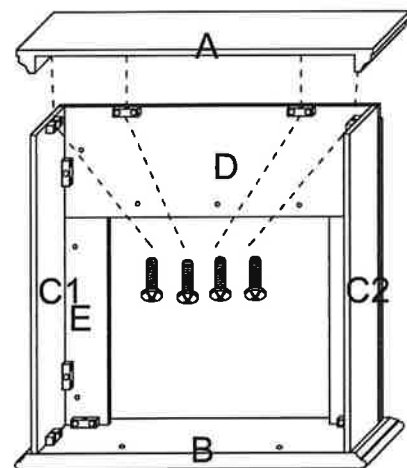


Figure 6

Step 7:

Put the insert in place and install the insert to the mantel. Attach the top of the insert to the mantel with 3 **SCREWS (W)**. Attach the **MOUNTING CLIPS** on the bottom of the mantel with 2 **SCREWS (V)**. See Figure 7 and 8.

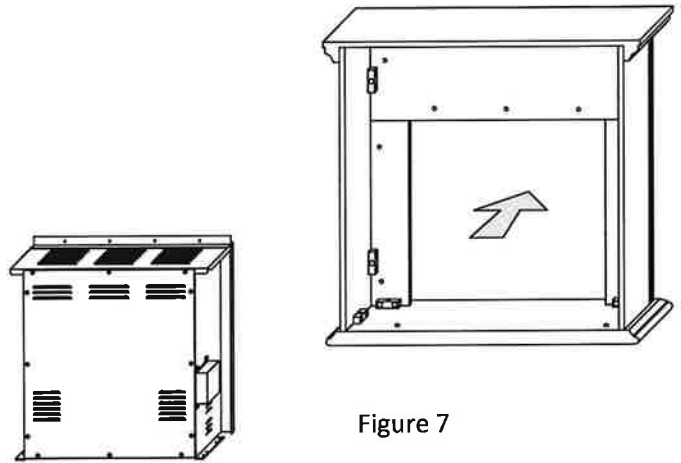


Figure 7

Step 8:

Tighten all KD Screws. And now you are ready to enjoy your fireplace by following **OPERATING INSTRUCTIONS & WARNINGS** in this manual.

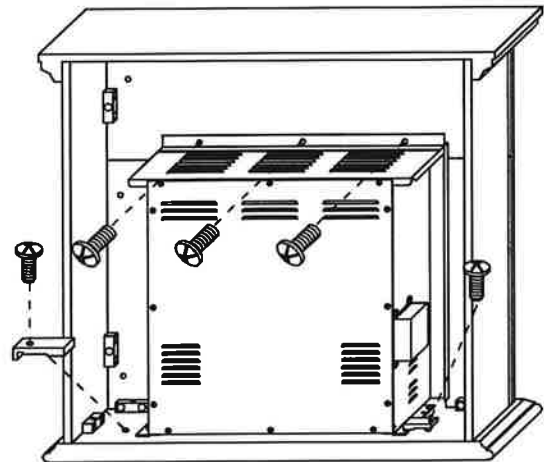
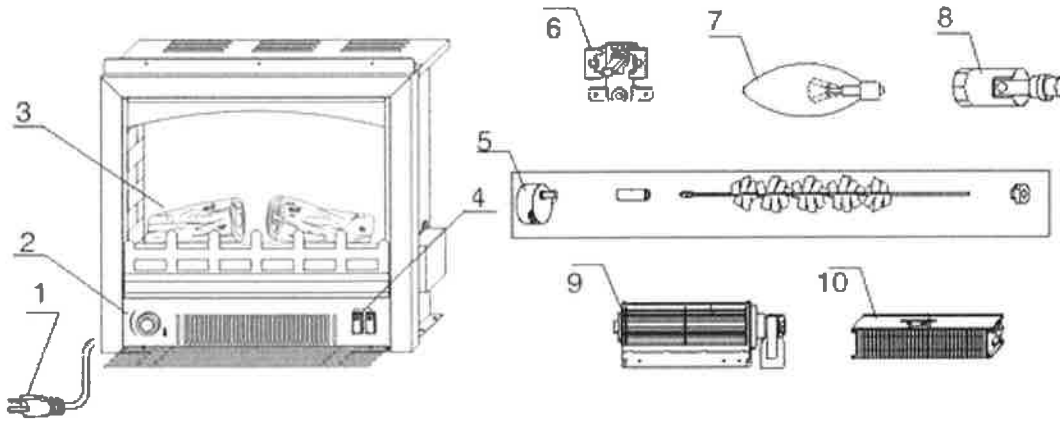


Figure 8

REPLACEMENT PARTS LIST

INSERT



ITEM	DESCRIPTION	OEM
1	Power Cord & Plug	NDF-62N/94
2	T-stat Knob	NDF62N/62
3	Electric Log Set	NDF-62N/25
4	Rocker Switch	NDF-62N/31
5	Flame Generator Assembly	NDF-62N/39,40,56,58,
6	T-stat switch	NDF-62N/63
7	Bulb	NDF-62N/32
8	Bulb socket	NDF-62N/51
9	Blower Assembly	NDF-62N/17,18,68
10	Heater Assembly	NDF-62N/65,66

ALWAYS OBSERVE THESE SAFETY PRECAUTIONS WHEN OPERATING YOUR ELECTRIC HEATER

- ALWAYS** Read all instructions before operating.
- ALWAYS** Locate your electric heater away from furniture or loose hanging drapes.
- ALWAYS** Keep the rear grill away from walls or drapes so as not to block the air intake. (If applicable)
- ALWAYS** Unplug electric heater when not in use.
- ALWAYS** Use electric heater on a flat dry surface.
- ALWAYS** Use on 110-120 volt 60Hz AC power supply.
- ALWAYS** Route the cord so it will not be walked on tripped over or pinched by furniture.
- ALWAYS** Keep electrical cords, drapes and other furnishings away from your electric heater.
- ALWAYS** Keep your electric heater clean and the filter free of dust. (If applicable)
- ALWAYS** Use indoors only.

- NEVER** Place drapes, clothing or towels over electric heater to dry.
- NEVER** Use in the presence of explosive or flammable vapors such as gas or paint.
- NEVER** Plug another electrical appliance into the same circuit. Blown fuses, tripped circuits and fire hazards may result.
- NEVER** Use water or liquids to clean your electric heater.
- NEVER** Let bare skin touch hot surfaces as this may cause burns.
- NEVER** Leave electric heater unattended.
- NEVER** Leave electric heater when children or pets are present.
- NEVER** Locate electric heater where it may fall into a bath tub or other water containers.
- NEVER** Operate electric heater with a damaged cord, plug or after the heater malfunctions, or has been dropped or damaged in any manner.
- NEVER** Run cord under carpeting or cover with throw rugs or runners.
- NEVER** Insert or allow foreign objects to enter any ventilation or exhaust openings, as this may cause an electrical shock, fire or damage.

PORTABLE ELECTRIC HEATER WARRANTY

LIMITED WARRANTY:

A limited warranty is extended to the original purchaser of this heater and warrants against malfunction due to manufacturing defects for a period of (1) one year from the date of retail purchase. Please read and follow all details noted below.

CLAIMS HANDLED AS FOLLOWS:

- **DO NOT RETURN TO PLACE OF PURCHASE**
- Contact our Customer Service Department at 1-800-776-9425. You must have the model number, serial number and date of purchase.
- They will provide you with further instructions, which may include replacement parts, repair or replacement at our option.

CALL 1-800-776-9425 FOR SERVICE (9AM-6PM MON.-FRI.) or

EMAIL US AT info@worldmktng.com

DUTIES OF THE OWNER:

This heating appliance must be operated in accordance with the written instructions furnished with this heater. This warranty shall not excuse the owner from properly maintaining this heater in accordance with the written instructions furnished with this heater. A bill of sale, cancelled check or payment record must be kept to verify purchase date and establish warranty period. Original carton should be kept in case of warranty return of unit.

WHAT IS NOT COVERED:

1. Damage caused by misuse or use contrary to the owners manual and safety guidelines.
2. Damage caused by a lack of normal maintenance.
3. Repair by an unauthorized person.
4. Damage caused by connection to an improper voltage.
5. Damaged caused by use outdoors.

LIMITATIONS:

This warranty does not imply or assume any responsibility for consequential damages that may result from the use, misuse, or the lack of routine maintenance of this heating appliance. A cleaning fee and the cost of parts may be charged for appliance failures resulting from lack of maintenance. This warranty does not cover claims, which do not involve defective workmanship or materials. **FAILURE TO PERFORM GENERAL MAINTENANCE (INCLUDING CLEANING) WILL VOID THIS WARRANTY.**

THIS LIMITED WARRANTY IS GIVEN TO THE PURCHASER IN LIEU OF ALL OTHER WARRANTIES, EXPRESSED OR IMPLIED, INCLUDING BUT NOT LIMITED TO THE WARRANTIES OF MERCHANTABILITY OF FITNESS FOR A PARTICULAR PURPOSE. THE REMEDY PROVIDED IN THIS WARRANTY IS EXCLUSIVE AND IS GRANTED IN LIEU OF ALL OTHER REMEDIES. IN NO EVENT WILL WORLD MARKETING OF AMERICA BE LIABLE FOR INCIDENTAL OR CONSEQUENTIAL DAMAGES.

Some states do not allow limitations on how long an implied warranty lasts, so the above limitation may not apply to you. Some states do not allow the exclusion or limitation of incidental or consequential damages so the above limitation or exclusion may not apply to you.

For your record, staple your sales receipt to this manual and record the following

DATE OF PURCHASE: _____

PLACE OF PURCHASE: _____

SERIAL NUMBER: _____

MODEL NUMBER: _____