

# Kozy-World® Fireplace System Blower

MODEL #: 20-6140

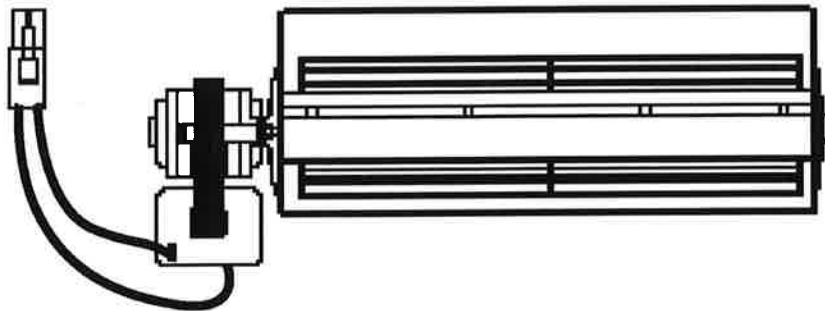
Compatible Fireplace Systems:

GFD2042

GFD2670

GFD3280R

GFD3290R



## IMPORTANT INSTRUCTIONS

PLEASE READ THIS MANUAL BEFORE INSTALLING AND USING APPLIANCE



**WARNING:** IF THE INFORMATION IN THIS MANUAL IS NOT FOLLOWED EXACTLY, A FIRE OR EXPLOSION MAY RESULT CAUSING PROPERTY DAMAGE, PERSONAL INJURY OR LOSS OF LIFE.



**WARNING:** THIS PRODUCT IS ONLY FOR USE WITH MODELS SPECIFIED IN THIS MANUAL BY THE MANUFACTURER. ANY OTHER USAGE OR INSTALLATION NOT SPECIFIED IN THIS MANUAL IS PROHIBITED.

**INSTALLER:** Leave this manual with the appliance.  
**CONSUMER:** Retain this manual for future reference.



**Questions, problems, missing parts?** Before returning to your retailer, call our Technical Service Department at 1-814-643-1775.

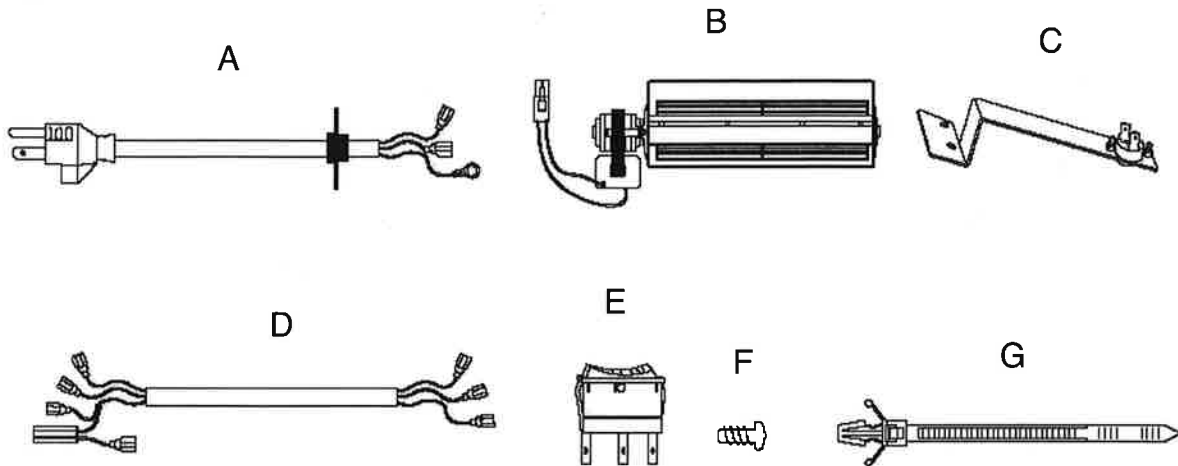


**⚠ WARNING:** This appliance is equipped with a three-prong (grounding) plug for your protection against shock hazard and must be plugged directly into a properly grounded three-prong receptacle.

1. Read all instructions before using this appliance.
2. If possible always unplug this appliance when not in use.
3. Do not operate any heater with a damaged cord or plug or after the appliance malfunctions, has been dropped or damaged in any manner.
4. Under no circumstances should this appliance be modified. Parts having to be removed for servicing must be replaced prior to operating this appliance again.
5. Do not use outdoors.
6. This heater is not intended for use in bathrooms, laundry areas and similar indoor locations. Never locate this appliance where it may fall into a bathtub or other water container.
7. Do not run cord under carpeting. Do not cover cord with throw rugs, runners or the like. Arrange cord away from traffic areas and where it will not be tripped over.
8. To disconnect this appliance, turn controls to the off position, then remove plug from outlet.
9. Connect to properly grounded outlets only.
10. This appliance, when installed must be electrically grounded in accordance with local codes, with the current USA installations, or in the absence of local codes, the National Electric Code, ANSI/NFPA No. 70.
11. Do not insert or allow foreign objects to enter any ventilation or exhaust opening as this may cause an electric shock, fire or damage the appliance.
12. To prevent possible fire, do not block air intakes or exhaust in any manner.
13. Use this appliance only as described in this manual. Any other use not recommended by the manufacturer may cause fire, electric shock or injury to persons.
14. Installation and repair should be done by a qualified service person. The appliance should be inspected before use and at least annually by a professional service person. More frequent cleaning may be required due to excessive lint from carpeting, bedding material, etc. It is imperative that control compartments, burners and circulating air passageways of the appliance be kept clean.

## PACKAGE CONTENTS

Before beginning assembly of product, make sure all parts are present. Compare parts with package contents list and diagram under. If any part is missing or damaged, do not attempt to assemble, install or operate the product. Contact our Technical Service Department at 1-814-643-1775.



### Parts List

REF #	PART #	DESCRIPTION	QUANTITY
A	XB001-01	Power Cord	1
B	XB002-01Q	Blower	1
C	XB003-01	Temperature Sensor	1
D	XB004-01Q	Connect Wire	1
E	PF06-0400-A	Rocker Switch	1
F	M4.2×8	Screw	10
G	VL057-03	Cable Tie	2

- A Phillips head screwdriver is needed for installation.

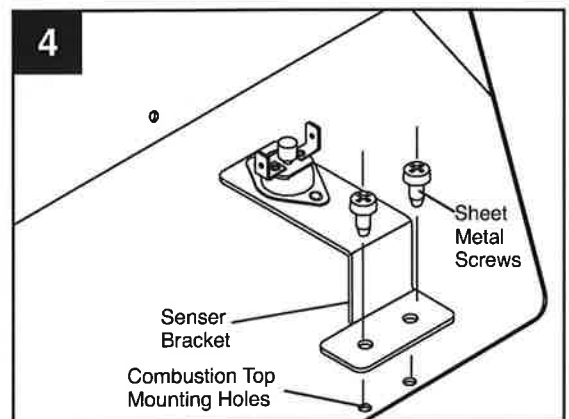
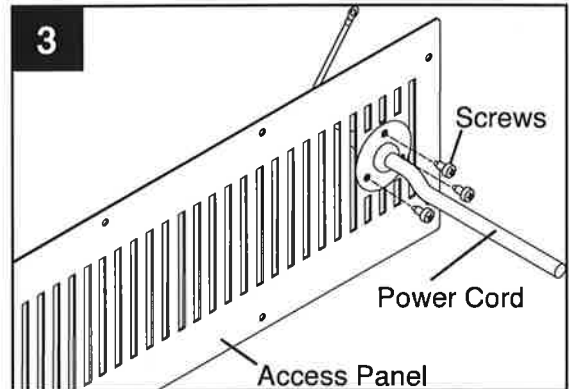
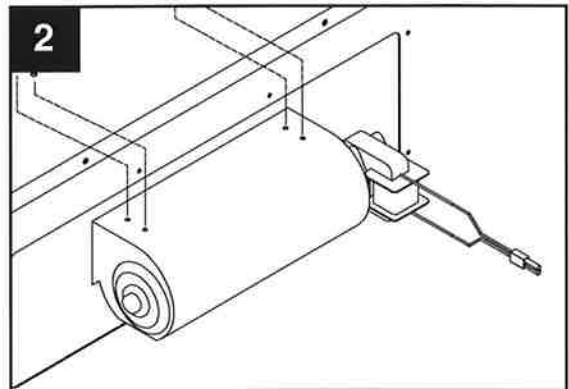
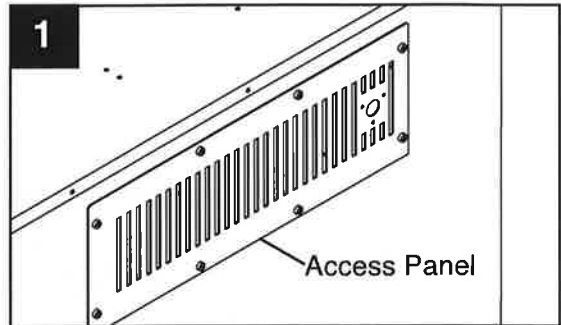
## ASSEMBLY INSTRUCTIONS

**⚠ WARNING:** This appliance is equipped with a three-prong (grounding) plug for your protection against shock hazard and must be plugged directly into a properly grounded three-prong receptacle.

Firebox must be disconnected from gas supply and removed from mantel before installing fan accessory. Contact a qualified service person to do this.

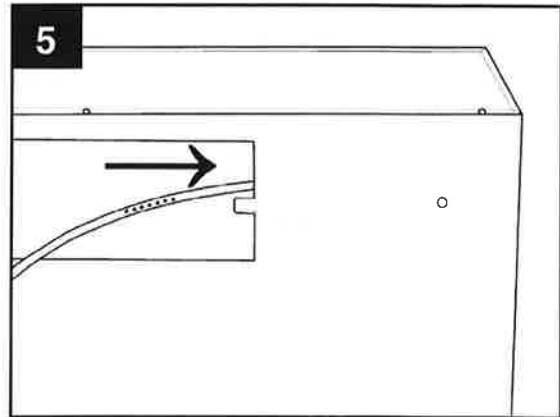
### BLOWER INSTALLATION (OPTIONAL)

1. Remove Blower Access Panel.
2. Mount Blower (B) onto bottom of Fireplace Top using 4 screws (F).
3. Attach Power Cord (A) to Blower Access Panel.
4. Attach Temperature Sensor (C) to the Combustion Top using 2 sheet metal screws.

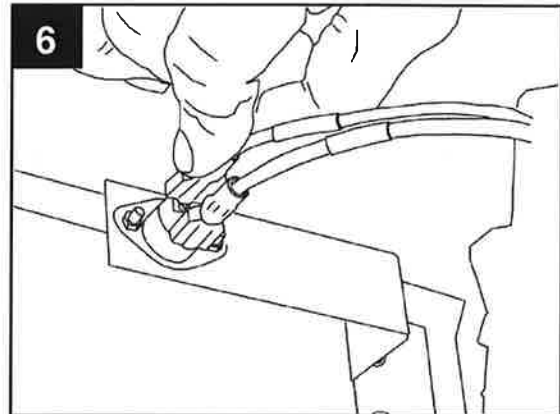


## ASSEMBLY INSTRUCTIONS

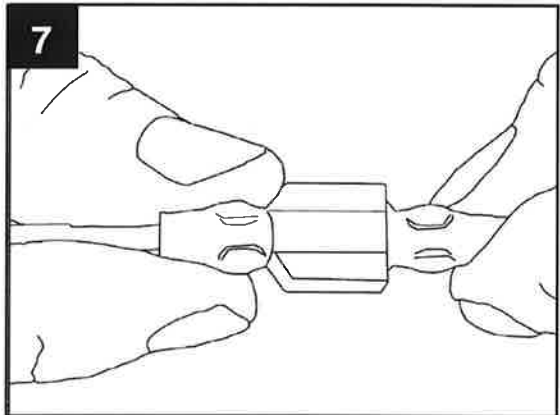
5. Important: Insert the wires marked with AUTO, OFF and MAN into line slot on the right corner. Keep wires close to the bottom.



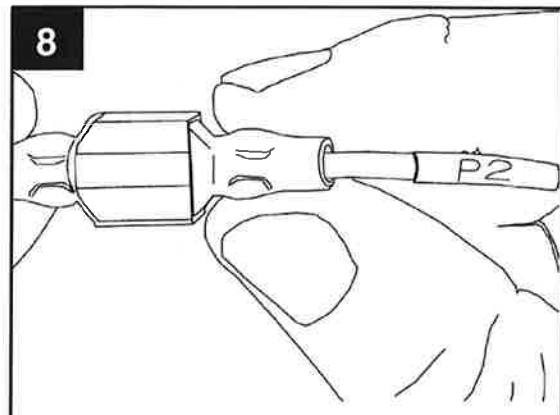
6. Insert two wires' female plugs marked with T1 and T2 (black and yellow) into two male ports on Temperature Sensor.



7. Insert the female plug on the white power supply wire (marked with P1), into the corresponding male port (marked with P1).

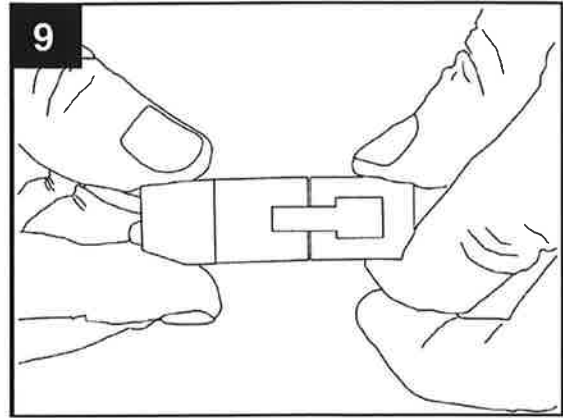


8. Insert the female plug (marked with P2) into the corresponding male port, which is on the black power supply wire (marked with P2).

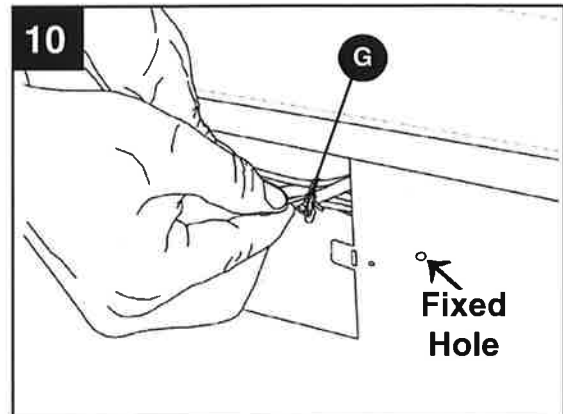


## ASSEMBLY INSTRUCTIONS

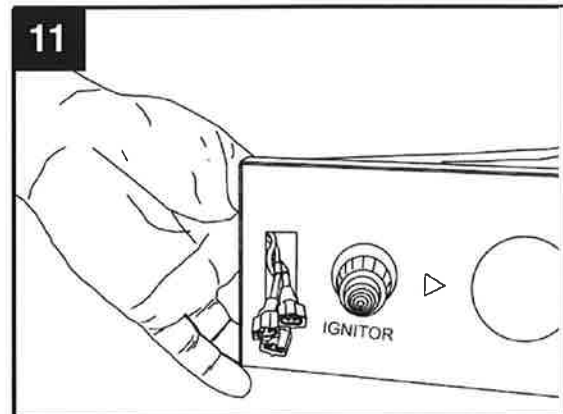
9. Insert the blower link (male plug) into the power link (female port).



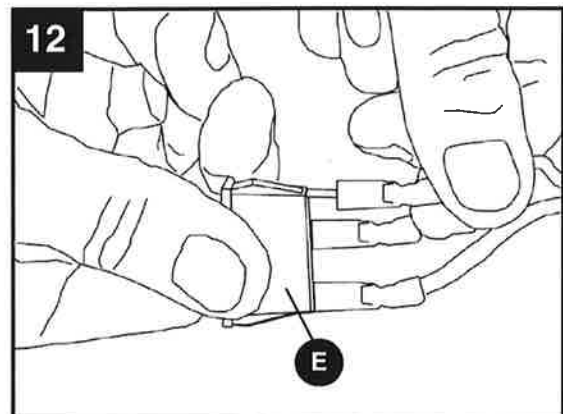
10. **Important:** Bind wires with cable ties (G), and attach cable ties (G) in holes on back of Outer Casing. Attach one in hole near the top and one in hole near the bottom.



11. Insert AUTO, OFF, MAN wires through the Rocker Switch opening.

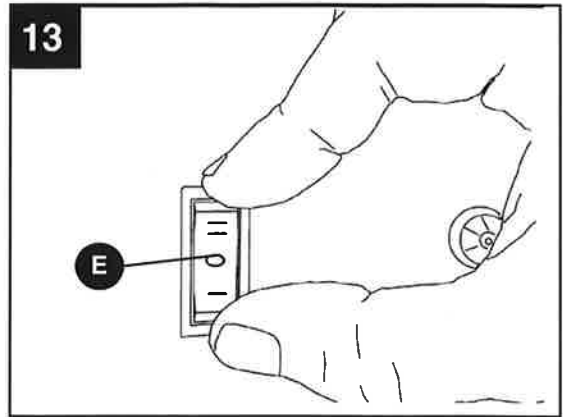


12. Connect AUTO, OFF, MAN wires to the three corresponding male ports on the Rocker Switch (E). Match the "Auto" wire to the symbol "≡" and the "Man" wire to the symbol "—" on the rocker switch (E).

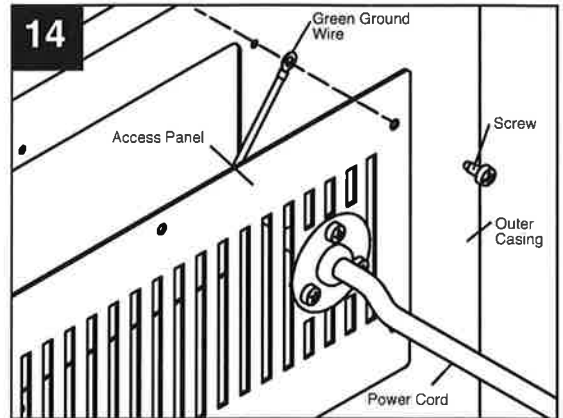


## ASSEMBLY INSTRUCTIONS

13. Push Rocker Switch (E) into Control Panel and secure.



14. Check that all wires are secure and reattach Blower Access Panel to Outer Casing. Capture the Green Ground wire between the Access Plate and Outer Casing with the upper right screw.

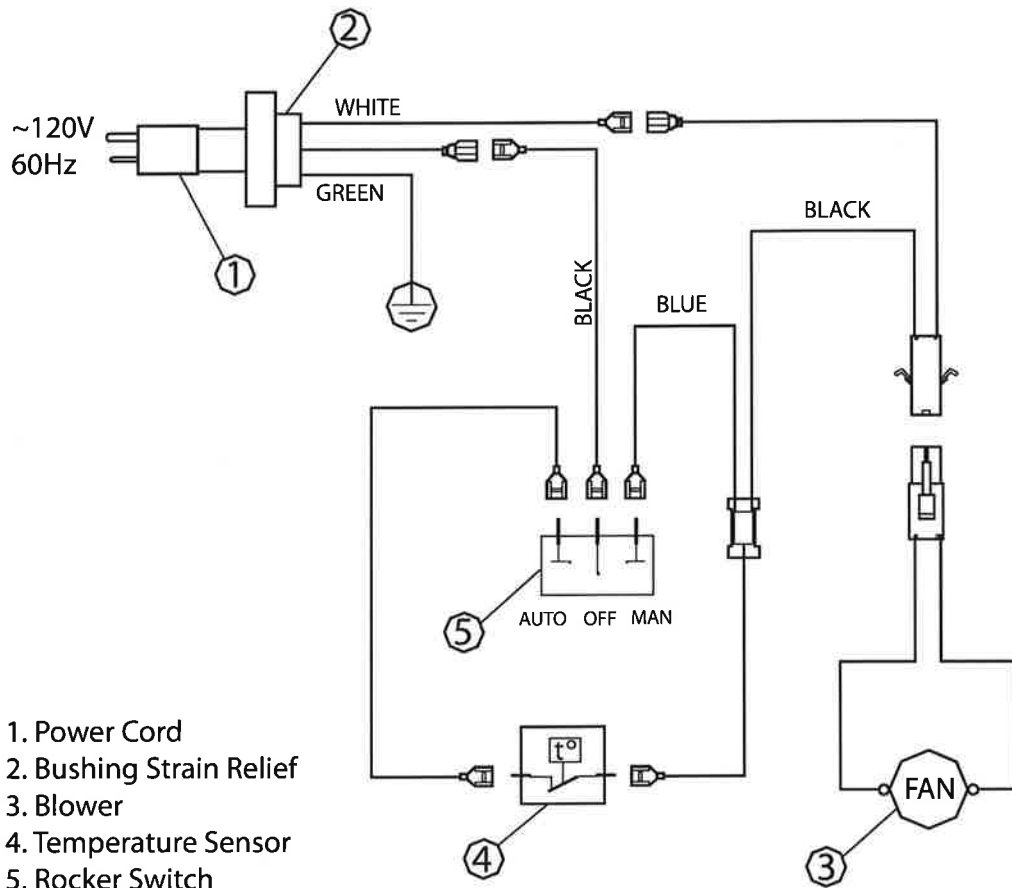




## OPERATING INSTRUCTIONS

Using Rocker Switch, turn blower on and check for operation. Turn on Rocker Switch to the desired position. In the MAN position it will remain constantly on. AUTO position will be controlled by the Temperature Sensor. To stop the operation turn Rocker Switch to the OFF position.

### Electrical Wiring Diagram



**NOTE:** If any of the original wire as supplied with the appliance must be replaced, it must be replaced with a wire of at least an equal temperature rating.

**⚠ CAUTION:** Label all wires prior to disconnection when servicing controls. Wiring errors can cause improper and dangerous operation. Verify proper operation after servicing.

## MAINTENANCE OF MOTORS

---

**⚠ WARNING:** Make sure all power to the appliance is turned OFF before proceeding.

Always disconnect the appliance from the main power supply and allow it to cool before any servicing operation. The motor used on the flame blower is pre-lubricated for extended bearing life and requires no further lubrication. However, periodic cleaning/vacuuming of the appliance around the air intake and exhaust, as well as the blower is recommended. For heavy or continuous use, periodic cleaning must be done more frequently. If the heater blows alternating cold and warm air, check the blower for free movement and for debris restricting air flow. If the blower does not move freely, the unit must be turned off and the blower replaced immediately in order to prevent further damage to the unit.

### Troubleshooting

PROBLEM	POSSIBLE CAUSE	CORRECTIVE ACTION
Blower is not spinning.	<ol style="list-style-type: none"><li>1. There is no power to the blower.</li><li>2. Blower is set to AUTO "≡".</li><li>3. Blower motor is bad.</li></ol>	<ol style="list-style-type: none"><li>1. Verify blower is plugged in and set to MAN "—" or AUTO "≡".</li><li>2. Allow 5-10 minutes for blower to engage.</li><li>3. Replace blower.</li></ol>
Blower is making a loud noise.	<ol style="list-style-type: none"><li>1. Blower housing or blades are dirty.</li><li>2. Blower rotation is blocked.</li><li>3. Defective blower.</li></ol>	<ol style="list-style-type: none"><li>1. Clean blower and blower housing.</li><li>2. Verify wiring is not in blower path.</li><li>3. Replace blower.</li></ol>

This product includes a warranty against any defect in materials and workmanship for a period of one (1) year from the date of retail sale. Contact our Consumer Warranty Dept. for more information (800) 776-9425.