

Installation of Base Stand

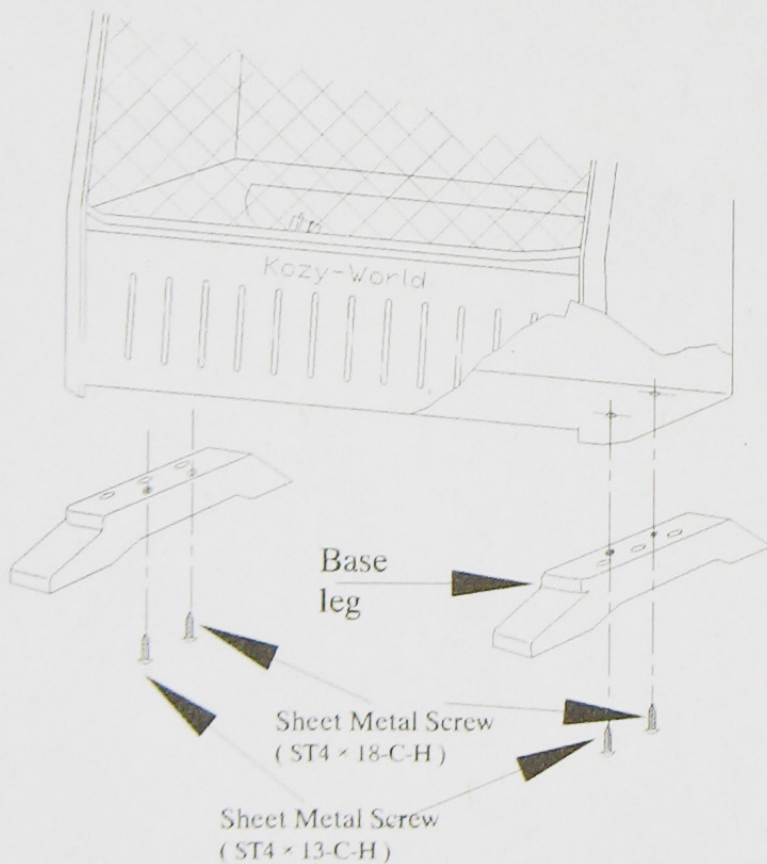
Kozy-World Model : 20-5242 20-5243

Before installing heater to the base , please make sure you have the following items:

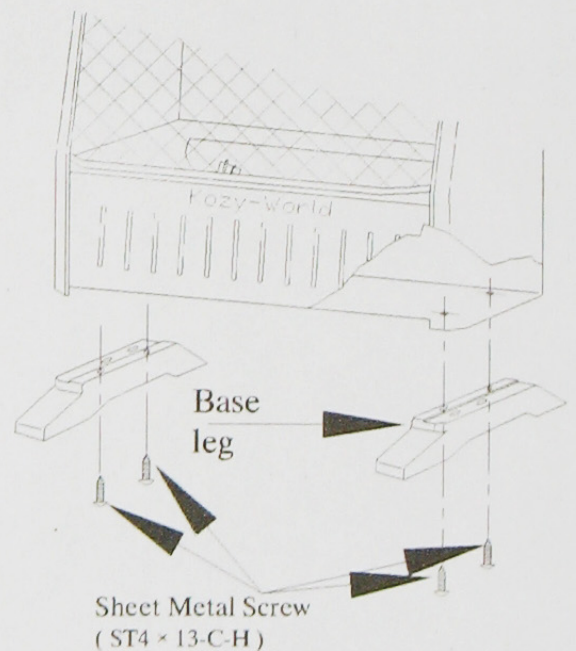
(2) - Base Leg (4) - Sheet Metal Screws

Installation Procedure:

1. Set back of heater on table with the bottom of heater extending outside the table edge
2. Fasten Base Stand to heater using sheet metal screws.



Model : 20-5242



Model : 20-5243