

EF6124R SHOWN

Kozy-World®

EF6124R

EF8032R

Freestanding
Electric Fireplace

Installation Instructions and Owner's Manual

WARNING! IF THE INFORMATION IN THIS MANUAL IS NOT FOLLOWED EXACTLY, A FIRE MAY RESULT CAUSING PROPERTY, PERSONAL INJURY OR LOSS OF LIFE.



World Marketing of America, Inc.
P.O. Box 192, Rt. 22 West
Mill Creek, PA 17060

**KOZY WORLD PHONE NUMBER:
(814) 643-1775**

FOR YOUR SAFETY

**DO NOT STORE
OR USE GASOLINE OR OTHER
FLAMMABLE VAPORS OR LIQUIDS
IN THE VICINITY OF THIS OR ANY
OTHER APPLIANCE**

ANSI/UL1278. MOVABLE AND WALL-OR CEILING HUNG ELECTRIC ROOM HEATERS

INSTALLER: DO NOT DISCARD THIS MANUAL-LEAVE FOR HOME OWNER

TABLE OF CONTENTS

**PLEASE READ THE INSTALLATION & OPERATION INSTRUCTIONS
BEFORE USING THIS APPLIANCE**

IMPORTANT: Read all instructions and warnings carefully before starting installation. Failure to follow these instructions may result in a possible electric shock, fire hazard and will void the warranty.

Important Instructions	2
Locating Your Electric Fireplace.....	3
Clearance To Combustibles.....	3
Electrical Connections.....	3
Electrical Specifications.....	3
Installing decorating logs.....	4
Service Instructions.....	5
Replacing Light Bulbs.....	5
Maintenance of Motors.....	5
Glass Information.....	5
Electrical Wiring Diagram.....	6
Operating Instructions.....	7
Specification.....	8
Replacement Parts.....	9
Replacement Parts List.....	10

IMPORTANT INSTRUCTIONS

When using electrical appliances, basic precautions should always be followed to reduce the risk of fire, electric shock, and injury to persons, including the following:

1. Read all instructions before using this heater.
2. This appliance is hot when in use. To avoid burns, do not come in contact with heater. Keep combustible materials, such as furniture, pillows, bedding, papers, clothes, and curtains at least 3 feet (1m.) from the front of the heater, and keep them away from the sides and rear.
3. Extreme caution is necessary when any heater is used by or near children or invalids and whenever the heater is left operating and unattended.
4. Always unplug heater when not in use.
5. Do not operate any heater with a damaged cord or plug or after the heater malfunctions, has been dropped or damaged in any manner.
6. Any repairs to this appliance should be carried out by a qualified service person.
7. Under no circumstances should this electric fireplace be modified. Parts having to be removed for servicing must be replaced prior to operating this electric fireplace again.
8. Do not use outdoors.
9. This heater is not intended for use in bathrooms, laundry areas or similar indoor locations. Never use this appliance near a bathtub or other water container.
10. Do not run cord under carpeting. Do not cover cord with throw rugs, runners or similar coverings. Arrange cord away from traffic areas and where it will not be tripped over.
11. To disconnect heater, turn controls to OFF, then remove plug from outlet.
12. Connect to properly grounded outlets only.
13. When this appliance is installed, it must be electrically grounded in accordance with local codes with the current CSA C22.1 Canadian local codes for USA installations. Follow local codes and National Electrical Code, ANSI/NFPA NO.70 and Canadian Cord: C 22.2 NO.0.
14. Do not insert or allow foreign objects to enter any ventilation or exhaust opening as this may cause electric shock, fire or damage to the heater.
15. To prevent a possible fire, do not block air intakes or exhaust in any manner. Do not use on soft surfaces, such as a bed, where openings may become blocked.
16. This heater gets hot and it contains internal parts that sparks and arcs. Do not use it in areas where gasoline, paint, or flammable liquids are used or stored.
17. Use this heater only as described in this manual. Other uses not recommended by the manufacturer may cause fire, electric shock, or injury.
18. Avoid the use of an extension cord because it may overheat and cause a risk of fire. However if you must use an extension cord, the cord shall be No. 14AWG minimum size and rated not less than 1900 watt. The extension cord must be a three wire cord with grounding type plug and cord connector.
19. This electric fireplace heater should not be used as a drying rack for clothing. Also, do not hang Christmas stockings or decorations on or near it.

20. SAVE THESE INSTRUCTIONS.

LOCATING YOUR ELECTRIC FIREPLACE

Your new freestanding electric fireplace may be installed virtually anywhere in your home. However when choosing a location for your new electric fireplace, ensure that the general instructions are followed. For best effect results, install the electric fireplace out of direct sunlight.

CLEARANCE TO COMBUSTIBLES

This fireplace is a zero-clearance design. The fireplace can set flush (0mm, 0 inches) to combustibles on floor, wall and top.

ELECTRICAL CONNECTION

A 15 AMP, 120 Volt, 60Hz circuit with a properly grounded outlet is required. Preferably, the fireplace will be on a dedicated circuit. Other appliances on the same circuit may cause the circuit breaker to trip or the fuse to blow when the heater is on operation. The unit comes standard with a 6' (1828mm) long three wire cord exiting from the rear of the fireplace. Plan the installation to avoid the use of an extension cord. If an extension cord must be used, it must be a minimum 14 AWG three wire with grounding type plug connector and rated no less than 1900 Watts. The cord shall not be more than 20 feet in length.

WARNING: Electrical outlet wiring must comply with local building codes and all other applicable regulations to reduce the risk of fire, electrical shock and injury.

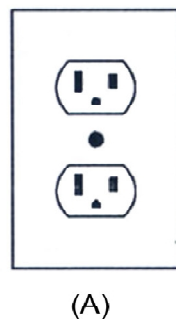
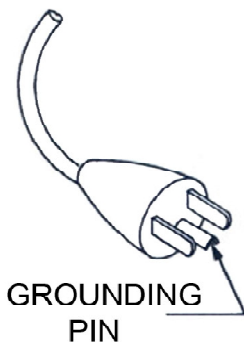


WARNING: Do not use this fireplace if any part of it has been under water. Immediately call a qualified service technician to inspect the fireplace and replace any part of the electrical system if necessary.

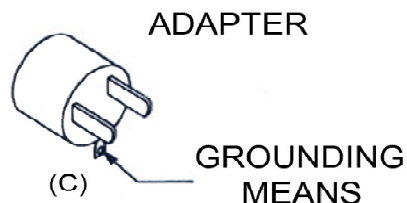
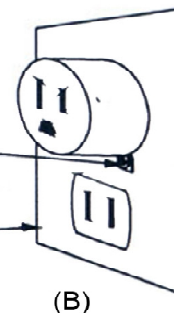


ELECTRICAL SPECIFICATIONS

Voltage:	120 VAC, 60 Hz
Total Amps:	11.5 Amps
Total Watts:	1380 Watts
Heater Rating:	1200 Watts



METAL SCREW
COVER OF GROUNDED
OUTLET BOX



(Adaptor NOT permitted in Canada)
Under C22.2 NO. 0 standard

Installing decorating logs

PREPARING FOR INSTALLATION

Before beginning assembly or operation, make sure all parts are present. Compare parts with package contents list and diagram. If any parts are missing or damaged, do not attempt to assemble install or operate, contact customers service for replacement parts.

Installing logs for EF6124R:



FIG 1 - Logs



FIG 2

1. Insert the two pins on log 1 to the two recessed holes at the middle of grate. (See FIG 2).



FIG 3

2. Insert the pin on one end of log 2 to the recessed hole on log 1, with the other end of log 2 placed on the ember bed (where marked). (See FIG 3).

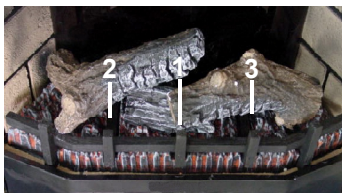


FIG 4

3. Place one end of log 3 onto the hole on grate, with the other end placed on log 1 (where marked). (See FIG 4).

Installing logs for EF8032R:

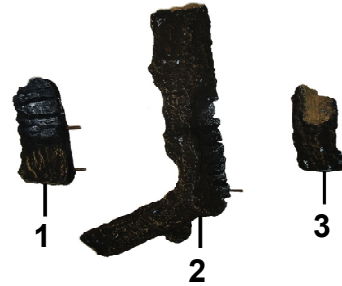


FIG 5 - Logs

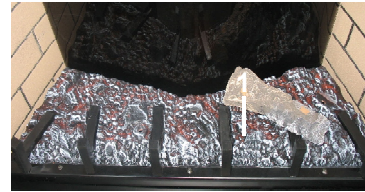


FIG 6

1. Insert the two pins on log 1 into ember bed (See FIG 6)

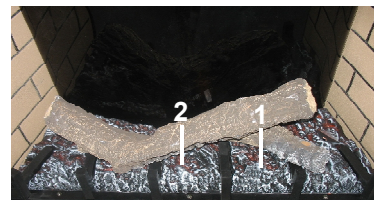


FIG 7

2. Insert pin in left side of Log 2 into ember bed and rest right side on Log 1 (See FIG 7).



FIG 8

3. Insert pin in Log 3 into ember bed and rest left side on Log 1 (See FIG 8).

MAINTENANCE OF MOTORS

The motors used on the fan and flame generator assembly are prelubricated for extended bearing life and require no further lubrication. However, periodic cleaning/vacuuming of the fan/heater unit is recommended.



WARNING: Make sure that the power is turned off before proceeding.

GLASS INFORMATION

1. Do not use fireplace if glass is missing or broken.
2. Do not strike or slam the glass.
3. Do not use abrasive cleaners to clean the glass.
4. Replacement glass is available from the manufacturer and replacement should be carried out by a qualified service technician.

SERVICE INSTRUCTIONS



WARNING: Disconnect power before attempting any maintenance or cleaning to reduce the risk of fire, electrical shock or personal injury.

REPLACING LIGHT BULBS

This fireplace uses four clear 120 Volt, 60 Watt, E-12 socket base light bulbs (small base, chandelier candle type). The 60 Watt bulbs are located under the log set/ember bed. For convenience, if one of the bulbs burns out, it may be a good idea to replace all of the light bulbs.

1. Turn off power to the unit by unplugging the power cord.
2. Let fireplace cool if it has been operating.
3. **For EIR6124R :**
Remove glass panel by pulling upward slightly, and then pull out.

For EIR8032R:

Open doors.

4. Remove the screws near the front that secure the log set/ember bed in position.
5. Remove log set / ember bed and grate assembly.
6. Examine the bulb(s) to determine which bulbs need to be replaced.
7. While holding the socket, unscrew defective bulb(s) counterclockwise.
8. Install the new light bulb(s) by holding the socket and screwing clockwise.
9. Reinstall the log set/ember bed, grate assembly and glass panel by following the above procedures in reverse order.



WARNING: Do not exceed 60 Watts per bulb. The use of higher rated bulbs may result in a fire causing property damage and personal injury.

ELECTRICAL WIRING DIAGRAM

Any electrical repairs or rewiring of this unit should be carried out by a licensed electrician in accordance with national and local codes.

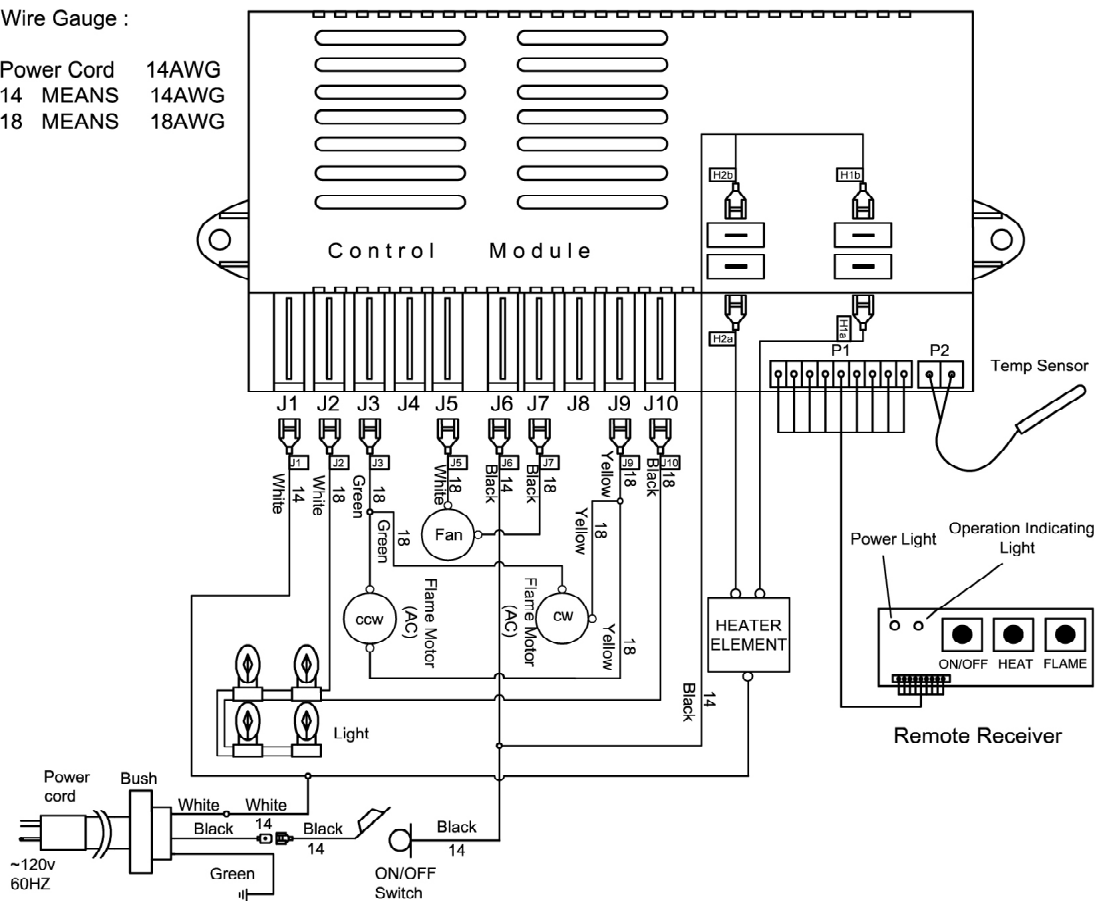


WARNING: If repairing or replacing any electrical component or wiring, the original wire routing, color coding and securing location must be followed.

Electrical Wiring Diagram

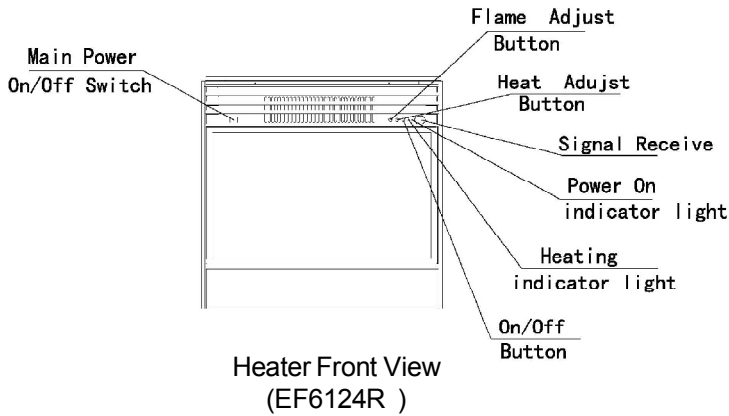
Wire Gauge :

Power Cord 14AWG
 14 MEANS 14AWG
 18 MEANS 18AWG



If any of the original wire as supplied with the appliance must be replaced , it must be replaced with a wire of at least a 105 centigrade temperature rating .

Operating Instructions



Before programming your transmitter you must first insert two "AAA" batteries. Make sure the main power on/off switch is "ON" position.

1. The ON/OFF button:

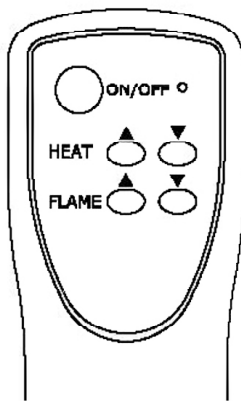
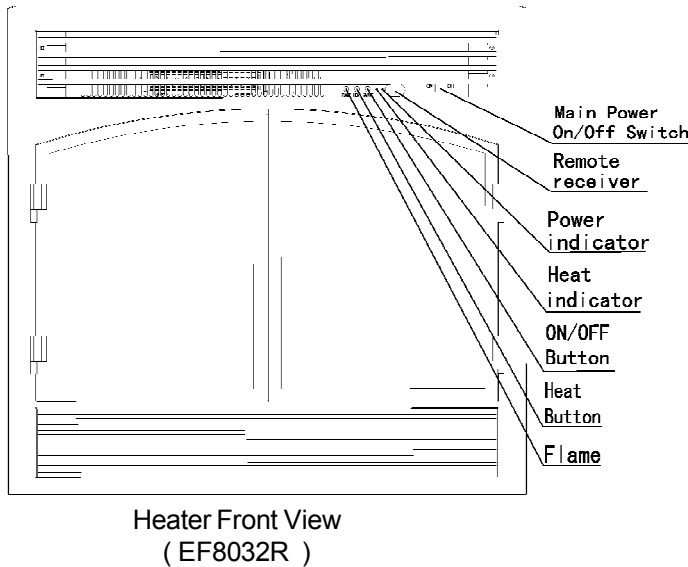
*Note: When Fireplace is first operated, the default setting will be: brightest flame, and full heating To turn on Heater, press the "ON/OFF" button. To turn off heater,press the "ON/OFF" button again.

2. Flame brightness setting:

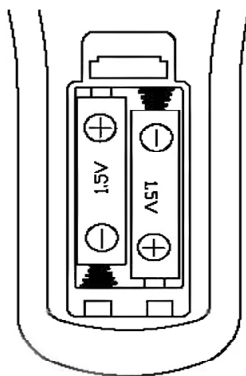
There are six settings for flame brightness: "1","2","3","4","5" and "6 (OFF)". Press ▼ button to decrease the flame brightness, and ▲ button to increase the flame brightness.

3. Heating level setting:

There are four settings for heating level: "HI", "MID", "LOW", and "OFF". Press ▼ button to decrease the Heating level and ▲ button to increase the Heating level. If set on "HI", the set room temperature will be approximately 90°F; set on "MID", the set room temperature will be approximately 80°F; set on "LOW", the set room temperature will be approximately 70°F.



Remote Control Front



Remote Control Back

Manual Operation (without handheld remote)

Press "ON/OFF" button to turn on or off the fireplace.

Press "HEAT Adjust" button to control heater.

Press "FLAME" button to control the Flame brightness.

SPECIFICATIONS:

Model: EF6124R

Voltage: 120V/60HZ Total Amps: 11.5A

Total Watts: 1380W Heating Ratings: 1200W

Dimensions, Inches (H x W X D)

Fireplace 36 1/4x45x14 5/8

Carton 40x45x20

Weight, Pounds

Fireplace 123

Shipping 145

Model: EF8032R

Voltage: 120V/60HZ Total Amps: 11.5A

Total Watts: 1380W Heating Ratings: 1200W

Dimensions, Inches (H x W X D)

Fireplace 48 x 53 x 20

Carton 45 7/10 x 58x22 3/5

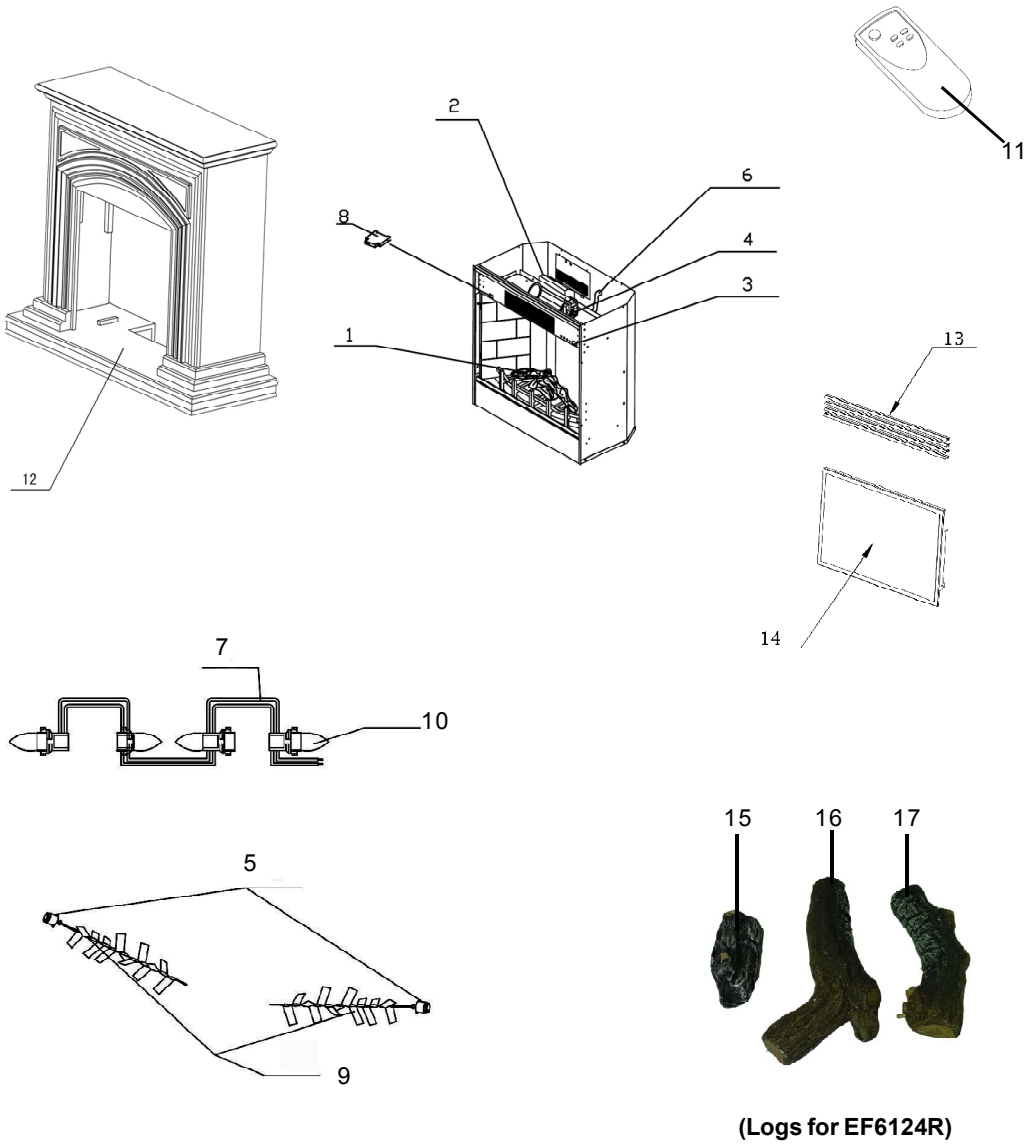
Weight, Pounds

Fireplace 186

Shipping 220

Replacement Parts

EF6124R



Replacement Parts List

EF6124R

Item	Part Description	Part Number
		EIR6124R
1	Log Set	FE23A400
2	Control Box	ECRMA1
3	Receiver	ECRRA1
4	Fan Heater Assembly	NFHTX186 / SFE23A1212
5	AC Motor	VL051-01(CW)/VL0- 51-01(CCW)
6	Power Cord w/Terminal	NFHL008-A
7	Light Bulb Socket w/Wiring Assembly	FE23A306
8	Over Current Protector	FE23A305
9	Flame generator Assy	FE23A207
10	Light Bulb	VL055-01
11	Remote Control	ECRTA1
12	Mantel Assy	FE24RE3-500-BDO
13	Louver ASSY	FE24A104
14	Viewing Door	FE24A140-W
15	Log 1	FE23A403
16	Log 2	FE23A404
17	Log 3	FE23A405

Replacement Parts

EF8032R

Item	Part Description	Part Number
1	E1 Mantel Front	FE32RE1-502
2	E1 Mantel Top	FE32RE1-501
3	E1 Mantel Base	FE32RE1-505
4	E1 Mantel Side	FE32RE1-503
5a	Door (Left)	FE32A152 L
5b	Door (Right)	FE32A152 R
6	Fan Heater Assembly	NFHTX186/FE32A-1212
7	Control Box	ECRMA1
8	Receiver	ECRRA1
9	Remote control	ECRTA1
10	Over Current Protector	FE23A305
11	Power Cord	NFHL008-A
12	AC Motor CCW/CW	VL051-01(CCW)/VL051-01CW
13	Flame Generator	FE33A205-01
14	Light Bulb Socket w/Wiring Assembly	FE23A306
15	Light Bulb	VL055-01

