



*Comfort Glow*

ES4215

ES4220

Freestanding  
Electric Stove

## Installation Instructions and Homeowner's Manual

**WARNING! IF THE INFORMATION IN THIS MANUAL IS NOT FOLLOWED EXACTLY, A FIRE MAY RESULT CAUSING PROPERTY DAMAGE, PERSONAL INJURY OR LOSS OF LIFE.**

Comfort Home Products, Inc.  
12256 William Penn Hwy, Ste A  
Huntingdon, PA 16652



**Intertek**

Made in China

COMFORT GLOW PHONE NUMBER: (814) 643-1775  
<http://www.worldmkting.com>

### **FOR YOUR SAFETY**

**DO NOT STORE  
OR USE GASOLINE OR  
OTHER FLAMMABLE VAPORS  
OR LIQUIDS  
IN THE VICINITY OF THIS OR  
ANY OTHER APPLIANCE**

ANSI/UL 1278. MOVABLE AND WALL-OR CEILING HUNG ELECTRIC ROOM HEATERS

**DO NOT DISCARD THIS MANUAL - LEAVE FOR HOME OWNER  
CUSTOMER: PLEASE RETAIN THIS MANUAL FOR FUTURE USE**

# TABLE OF CONTENTS

## PLEASE READ THE INSTALLATION & OPERATIONS INSTRUCTIONS BEFORE USING THIS APPLIANCE

**IMPORTANT: Read all instructions and warnings carefully before starting installation. Failure to follow these instructions may result in a possible electric shock, fire hazard and will void the warranty.**

<u>Table of contents, Specifications</u>	<u>2</u>
<u>Important Safety Instructions</u>	<u>3-4</u>
<u>Zone Heat Saves, Instructions for Power</u>	<u>5</u>
<u>Assembly, Locating your Appliance</u>	<u>6</u>
<u>Controls, Heater Operation</u>	<u>7-8</u>
<u>Service, Maintenance</u>	<u>9-10</u>
<u>Warranty Guidelines</u>	<u>11-12</u>

### **SPECIFICATIONS:**

**Model: ES4215 ES4220**

Voltage: 110-120/60Hz

Total Amps: 12.5A

Total Watts: 750-1500W

Heating Ratings: 1400W (+5%-10%)

Dimensions, Inches (H x W x D):

Stove: 21 x 15.5 x 10.5

Carton: 21.5 x 18.5 x 12.5

### **CLEARANCE TO COMBUSTIBLES**

Back.....6 "

Sides.....6"

Top.....24"

Front.....36"

**INTENDED USE: This product is intended only for indoor household or office use.  
It is NOT intended for industrial or commercial use. DO NOT USE OUTDOORS**

## **IMPORTANT INSTRUCTIONS**

**PLEASE READ AND SAVE THESE IMPORTANT SAFETY INSTRUCTIONS** When using electrical appliances, basic precautions should always be followed to reduce the risk of fire, electrical shock, and injury to persons, including the following:

1. Read all instructions before using this heater.
2. This heater is hot when in use. To avoid burns, do not let bare skin touch hot surfaces. If provided, use handles when moving this heater. Keep combustible materials, such as furniture, pillows, bedding, papers, clothes and curtains at least 3 feet (0.9m) from the heater.
3. Extreme caution is necessary when any heater is used by or near children, pets or invalids and whenever the heater is left operating unattended.
4. If possible always unplug this appliance when not in use.
5. Do not operate any heater with a damaged cord or plug or after the heater malfunctions, has been dropped or damaged in any manner.
6. Any repairs to this appliance should be carried out by a qualified service person.
7. Under no circumstances should this appliance be modified. Parts having to be removed for servicing must be replaced prior to operating this appliance again.
8. Do not use outdoors.
9. Use your heater only in dry environments. This heater is not intended for use in bathrooms, laundry areas and similar indoor locations. Never locate the heater where it may fall into a bathtub or other water container. Do not use your heater outdoors. Do not use near sinks, swimming pools or other damp areas such as flooded basements, garages, etc or anyplace where the heater could come in contact with water.
10. Do not use this heater in elevated locations, such as on shelves, raised platforms, etc.
11. Do not run cord under carpeting. Do not cover cord with throw rugs, runners, or similar coverings. Arrange cord away from traffic area and where it will not be tripped over.
12. To disconnect heater, first turn controls to off, then remove plug from outlet. Always unplug the heater when not in use.
13. Connect to a properly grounded outlets only.
14. This appliance, when installed, must be electrically grounded in accordance with local codes, with the current CSA C22.0 Canadian Electrical codes or for USA installations, follow local codes or for USA installations, follow local codes and the National Electric code ANSI/NFPA No. 70.
15. Do not insert or allow foreign objects to enter any ventilation or exhaust opening as this may cause an electrical shock or fire, or damage the heater.
16. To prevent a possible fire, do not block air intakes or exhaust in any manner. Do not use on soft surfaces, like a bed, where openings may become blocked.
17. This appliance has hot and arcing or sparking parts inside. Do not use it in areas where gasoline, paint or flammable liquids are used or stored. This appliance should not be used as a drying rack for clothing, nor should Christmas stockings or decorations be hung or near it.
18. Use this heater only as described in this manual. Any other use not recommended by the manufacturer may cause fire, electric shock, or injury to persons.
19. Always plug heaters directly into a wall outlet/receptacle. Never use with an extension cord or relocatable power strip.
20. Do not use this heater with missing, damaged, or broken legs.
21. "SAVE THESE INSTRUCTIONS"

## **ALWAYS OBSERVE THESE SAFETY PRECAUTIONS WHEN OPERATING YOUR ELECTRIC HEATER**

- ALWAYS** Read all instructions before operating.
- ALWAYS** Locate your electric heater away from furniture or loose hanging drapes.
- ALWAYS** Keep the rear grill away from walls or drapes so as not to block the air intake. (If applicable)
- ALWAYS** Unplug electric heater when not in use.
- ALWAYS** Use electric heater on a flat dry surface.
- ALWAYS** Use on 110-120 volt 60Hz AC power supply.
- ALWAYS** Route the cord so it will not be walked on tripped over or pinched by furniture.
- ALWAYS** Keep electrical cords, drapes and other furnishings away from your electric heater.
- ALWAYS** Keep your electric heater clean and the filter free of dust. (If applicable)
- ALWAYS** Use indoors only.
  
- NEVER** Place drapes, clothing or towels over electric heater to dry.
- NEVER** Use in the presence of explosive or flammable vapors such as gas or paint.
- NEVER** Plug another electrical appliance into the same circuit. Blown fuses, tripped circuits and fire hazards may result.
- NEVER** Use water or liquids to clean your electric heater.
- NEVER** Let bare skin touch hot surfaces as this may cause burns.
- NEVER** Leave electric heater unattended.
- NEVER** Leave electric heater when children or pets are present.
- NEVER** Locate electric heater where it may fall into a bath tub or other water containers.
- NEVER** Operate electric heater with a damaged cord, plug or after the heater malfunctions, or has been dropped or damaged in any manner.
- NEVER** Run cord under carpeting or cover with throw rugs or runners.
- NEVER** Insert or allow foreign objects to enter any ventilation or exhaust openings, as this may cause an electrical shock, fire or damage.

## ZONE HEATING SAVES!

The concept of Zone Heating is simple. Use High Efficiency heaters to heat the rooms you use most, during the times you use these areas and turn back the thermostat to your central heating system. To achieve the maximum benefit it is important to understand your heater and where best to locate it.

Please follow these suggestions:

1. Close doors to areas you do not wish to heat.
2. Locate a three prong outlet along an interior wall if possible. Position the heater so that the warm air can blow unobstructed across the room towards the exterior walls.
3. Check your windows and doors for the infiltration of cold air and insulate as needed to avoid heat loss. Rapid heat loss will minimize the effectiveness of your Infrared heater as it would any conventional type heater.
4. Keep the area around the heater free of obstructions to insure maximum airflow. Keep electrical cords, drapery, furniture, and other combustibles 3 feet (0.9 M) away from the front of the heater and away from the sides.
5. Avoid locating your heater in high traffic areas or in direct sunlight.
6. Avoid locating your heater near your central heating thermostat.

## INSTRUCTIONS FOR POWER

**WARNING: Before servicing this heater be sure to unplug heater from wall outlet. Do not only turn off heater from the main "ON/OFF" switch, be sure to unplug this heater.**

Note: The power cord has a polarized plug (with one blade wider than the other) that will only fit in a polarized outlet one way. If it does not insert easily try reversing the plug. If it still does not fit contact your electrician to replace your outlet. DO NOT defeat the safety purpose of the polarized plug.

### ELECTRICAL CONNECTION

A 15 AMP, 120 Volt, 60Hz circuit with a properly grounded outlet is required. Preferably, the heater will be on a dedicated circuit. Other appliances on the same circuit may cause the circuit breaker to trip or the fuse to blow when the heater is in operation. The unit comes standard with a 6' (1828mm) long three wire cord exiting from the rear of the fireplace.



**WARNING:** Electrical outlet wiring must comply with local building codes and all other applicable regulations to reduce the risk of fire, electrical shock and injury.

**WARNING:** Do not use this fireplace if any part of it has been under water. Immediately call a qualified service technician to inspect the fireplace and replace any part of the electrical system if necessary.

## LEG ASSEMBLY

Four (4) legs  
Twelve (12) screws

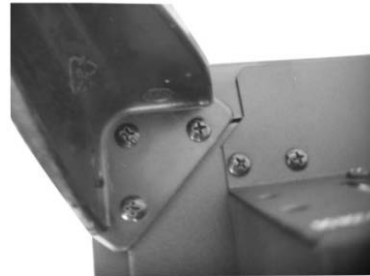


**WARNING:** Do not use this heater with missing, damaged, or broken legs.

Tools required: Phillips Screwdriver

Lay stove upside down on a padded surface to avoid scratches to the surface of your stove.

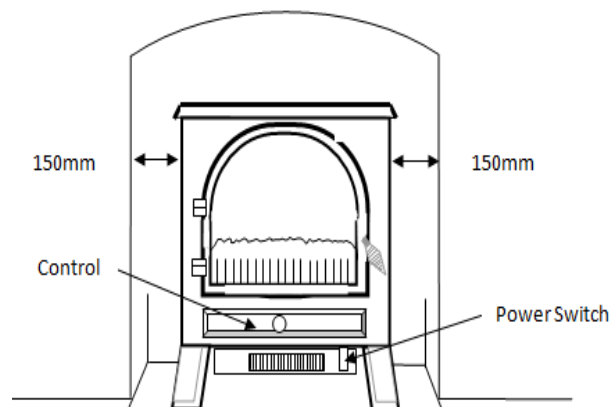
Line up holes in the leg with holes in the underside of the stove body. With the use of the screwdriver secure leg with the screws provided (3 screws per leg) as shown in the figure below.



## LOCATING YOUR ELECTRIC FIREPLACE

Your new freestanding electric fireplace may be installed virtually anywhere indoors in your home. However, when choosing a location for your new electric fireplace, ensure that the general instructions and warnings from pages 3 and 4 are followed. For best results, install the electric fireplace out of direct sunlight.

- If you are placing the heater in an alcove, make sure that there is at least 6 inches of space on all sides to ensure good air circulation.
- The fireplace heater must not be located over a fixed electrical socket. The socket must always be accessible in order to disconnect the heater from the electrical supply for maintenance.
- Use your heater only in dry environments. This heater is not intended for use in bathrooms, laundry areas and similar indoor locations. Never locate the heater where it may fall into a bathtub or other water container. Do not use your heater outdoors. Do not use near sinks, swimming pools or other damp areas such as flooded basements, garages, etc or anyplace where the heater could come in contact with water.



# CONTROLS

## Location of Controls

1. The **MAIN POWER** switch is located under the control panel on the Blower/Heater panel.
2. Thermostat control knob - Adjust to maintain room temperature (Cycles between 750 and 1500W)
3. Flame dimmer control - Adjust to set flame intensity
4. Fan switch - Use alone for cool air or with heat settings
5. Heat switch – One switch for low heat setting (750 Watts)
6. Heat Switch - Two switches for high heat setting (1500 Watts)
7. Lamp switch - Switches flame effect on/off.



## AUTOMATIC CUT-OFF

A cut-off switch is fitted to the heating element to prevent damage due to overheating. If it cuts-off due to an obstruction in the airflow, the heater must be allowed to cool for 15 minutes and the obstruction must be removed before restarting.

## OPERATING YOUR HEATER

Once the stove has been properly assembled and connected to a grounded electrical outlet, it is ready to operate:

### Main Power:

1. The main power switch (#1) is located on the Blower/Heater assembly (next to front right leg), below the control panel. Press this button for main power to the unit. The indicator light will turn red.

**Open control panel door, located above the main power switch, by the knob of front of stove.**

### 2. Thermostat control knob:

To adjust the temperature to your individual requirements, turn the thermostat dial (#2) to the right (clockwise) to increase the desired temperature, or to the left (counter-clockwise) to decrease desired temperature. This thermostat control dial can only be used while the **FAN** switch (#3) and one or both of the **750W/750W** (# 4 & 5) switches are in the “on” position. When the heater reaches the desired temperature, the heater and one or both of the **750W** indicator lights will turn off.

### 3. Fan:

Use alone for “cool air” flow. Fan switch (#3) must be in the “on” position for heat settings to function.

### 4. 750W:

For low heat function - Press 750W switch (#4) while the FAN switch (#3) is in the “on” position for low heat. The indicator light will turn on.

### 5. 1500W: (Both 750W Switches)

For high heat function - Press second 750W switch (#5) while the FAN and (# 4) switches are in the “on” position for high heat. The indicator light will turn on.

### 6. Flame Effect:

Press Flame effect switch (#6) to the “on” position for flame effect. The indicator light will turn on. This function can be used without heat or fan functions being engaged.

### 7. Flame Dimmer Control:

Turn the dimmer dial (#7) clockwise or counter-clockwise to get the desired flame intensity. The dimmer switch can only be used when the **Flame effect** switch is in the “on” position.

### NOTE:

**Heat functions will NOT operate unless the fan switch (#3) is in the “on” position.**



## SERVICE INSTRUCTIONS



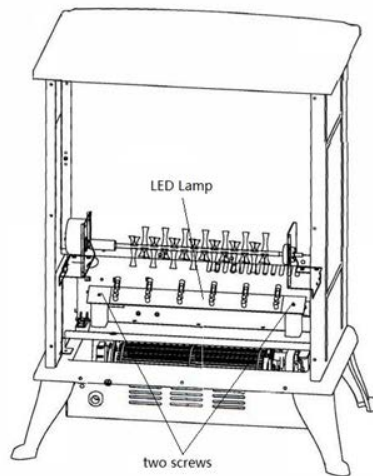
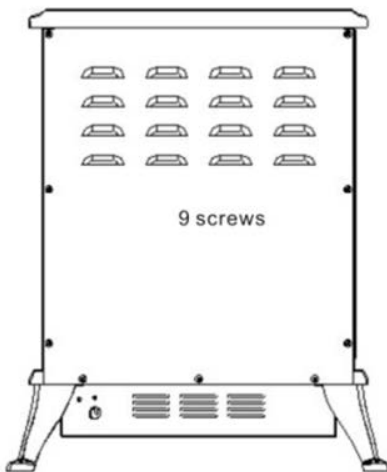
**WARNING:** Disconnect power and allow unit to cool completely before attempting any maintenance or cleaning to reduce the risk of fire, electrical shock or personal injury.

### REPLACING LIGHT BULBS

**CAUTION:** Even though the glass is safety glass it may break if bumped, struck or dropped. Care must be taken when handling the glass.

The bulbs fitted to this heater are LED FP202SP/X3X-304.

1. Unplug the unit.
2. If the stove has been operating, let the unit cool at least 1 hour.
3. Loosen and remove the 9 screws holding the stove back panel to the main body of stove.
4. Remove LED bulbs and replace with FP202SP/X3X-304.
5. Place rear access panel back into position and tighten screws (Do not over tighten).



**WARNING:** The bulbs fitted to this heater are LED FP202SP/X3X-304 bulbs the use of any other type of bulb may result in a fire causing property damage and personal injury.

## GLASS INFORMATION

1. Under no circumstances should this product be operated with missing or broken glass.
2. Do not strike or slam the glass.
3. Do not use abrasive cleaners to clean the glass.
4. Replacement glass is available from the manufacturer and replacement should be carried out by a qualified service person.



**WARNING: Wait until the unit has completely cooled before attempting any cleaning.**

## CLEANING

To clean the unit, first turn off controls on unit and unplug unit from power source.

To clean the glass door: remove dust with clean dry cloth or to remove finger prints and other marks clean glass with clean damp cloth. Do not use abrasive cleaners or spray liquids on glass door surfaces.

Metal and metal painted parts should be cleaned with clean damp cloth only. Do not use abrasive cleaners or spray liquids on this surface.

## TROUBLE SHOOTING

If the heater will not operate, please check the following before seeking repair of service:

1. Check if the power cord is plugged into an electrical outlet, if not, plug in.
2. Check if electricity to the outlet is working.
3. Insure the main power switch on the lower front of the heater is switched to "on"
4. If the power button on the front of the heater is turned on but the heater is not operating, then the safety overheat function may have been triggered. Try pressing the power button. If the heater does not turn on, clear any obstructions from front and rear of heater that may have caused internal overheating. Allow the heater to cool approximately 15 minutes and then press the power button again

Note: The heater may not be operating if the thermostat is set lower than the room temperature. To begin operation, increase the thermostat temperature for a higher heat setting.

# **PORTABLE ELECTRIC HEATER WARRANTY**

## **LIMITED WARRANTY:**

A limited warranty is extended to the original purchaser of this heater and warrants against malfunction due to manufacturing defects for a period of (1) one year from the date of retail purchase. Please read and follow all details noted below.

## **CLAIMS HANDLED AS FOLLOWS:**

- **DO NOT RETURN TO PLACE OF PURCHASE**
- Contact our Customer Service Department at 1-800-776-9425. You must have the model number, serial number and date of purchase.
- They will provide you with further instructions, which may include replacement parts, repair or replacement at our option.

**CALL 1-800-776-9425 FOR SERVICE (9AM-6PM MON.-FRI.) or EMAIL US AT  
info@worldmktng.com**

## **DUTIES OF THE OWNER:**

This heating appliance must be operated in accordance with the written instructions furnished with this heater. This warranty shall not excuse the owner from properly maintaining this heater in accordance with the written instructions furnished with this heater. A bill of sale, cancelled check or payment record must be kept to verify purchase date and establish warranty period. Original carton should be kept in case of warranty return of unit.

## **WHAT IS NOT COVERED:**

1. Damage caused by misuse or use contrary to the owners manual and safety guidelines.
2. Damage caused by a lack of normal maintenance.
3. Repair by an unauthorized person.
4. Damage caused by connection to an improper voltage.
5. Damaged caused by use outdoors.

## LIMITATIONS:

This warranty does not imply or assume any responsibility for consequential damages that may result from the use, misuse, or the lack of routine maintenance of this heating appliance. A cleaning fee and the cost of parts may be charged for appliance failures resulting from lack of maintenance. This warranty does not cover claims, which do not involve defective workmanship or materials. FAILURE TO PERFORM GENERAL MAINTENANCE (INCLUDING CLEANING) WILL VOID THIS WARRANTY.

THIS LIMITED WARRANTY IS GIVEN TO THE PURCHASER IN LIEU OF ALL OTHER WARRANTIES, EXPRESSED OR IMPLIED, INCLUDING BUT NOT LIMITED TO THE WARRANTIES OF MERCHANTABILITY OF FITNESS FOR A PARTICULAR PURPOSE. THE REMEDY PROVIDED IN THIS WARRANTY IS EXCLUSIVE AND IS GRANTED IN LIEU OF ALL OTHER REMEDIES. IN NO EVENT WILL WORLD MARKETING OF AMERICA BE LIABLE FOR INCIDENTAL OR CONSEQUENTIAL DAMAGES.

Some states do not allow limitations on how long an implied warranty lasts, so the above limitation may not apply to you. Some states do not allow the exclusion or limitation of incidental or consequential damages so the above limitation or exclusion may not apply to you.

**For your record, staple your sales receipt to this manual and record the following**

**DATE OF PURCHASE:** \_\_\_\_\_

**PLACE OF PURCHASE:** \_\_\_\_\_

**SERIAL NUMBER:** \_\_\_\_\_

**MODEL NUMBER:** \_\_\_\_\_



*Comfort Glow*<sup>®</sup>

ES4215

ES4220

Estufa eléctrica

## Instrucciones de instalación y el Manual de Propietario

**¡ADVERTENCIA! SI LA INFORMACION EN ESTE MANUAL no ES SEGUIDA EXACTAMENTE, UN RESULTADO del FUEGO mayo que CAUSA DAÑO de PROPIEDAD, HERIDA O PERDIDA PERSONALES DE la VIDA.**



Comfort Home Products, Inc.  
12256 William Penn Hwy, Ste A  
Huntingdon, PA 16652

Hencho in China

COMFORT GLOW PHONE NUMBER: (814) 643-1775  
<http://www.worldmkting.com>

### PARA SU SEGURIDAD

No ALMACENE ni UTILICE  
GASOLINA ni OTROS  
VAPORES de FLAMABLE  
ni los LIQUIDOS EN LA  
VECINDAD DE ESTE  
ni CUALQUIER OTRO  
APARATO

ANSI/UL 1278. MOVABLE AND WALL-OR CEILING HUNG ELECTRIC ROOM HEATERS

No DESECHE ESTE MANUAL - HOJA PARA el PROPIETARIO  
CLIENTE: RETENGA POR FAVOR ESTE MANUAL PARA FUTURO USO

# INDICE DE MATERIAS

## LEA POR FAVOR LA INSTALACION & INSTRUCCIONES de OPERACIONES ANTES DE UTILIZAR ESTE APARATO

**IMPORTANTE:** Lea todas las instrucciones y las advertencias con cuidado antes de comenzar instalación. El fracaso para seguir estas instrucciones pueden tener como resultado una descarga eléctrica posible, peligro de fuego y vaciar la garantía.

<u>Tabla de contenido, 2 Especificaciones</u>	<u>14</u>
<u>Instrucciones importantes de seguridad</u>	<u>15-16</u>
<u>Zona calor salva, las instrucciones para poder</u>	<u>17</u>
<u>Asamblea, localizar tu aparato</u>	<u>18</u>
<u>Controles, funcionamiento del calentador</u>	<u>19-20</u>
<u>Servicio de mantenimiento</u>	<u>21-22</u>
<u>Directrices de garantía</u>	<u>23-24</u>

### Las **ESPECIFICACIONES:** **El modelo: ES4215 ES4220**

El voltaje: 110-120V  
Amperios totales: 12.5A  
Los Vatios totales: 750-1500W  
La calefacción Calificaciones: 1400W (+5%-10%)

Las dimensiones, Pulgadas (H X W X D):  
La chimenea: 21 x 15.5 x 10.5  
El cartón: 22 x 18.5 x 12.5

### EL ESPACIO LIBRE A COMBUSTIBLES

Espalda.....6"  
Lados.....6"  
Parte superior.....24"  
Frente.....36"

**USO previsto: Este producto está diseñado sólo para uso en interiores hogar u oficina.  
No se pretende para uso industrial o comercial. NO USE AL AIRE LIBRE**

## **INSTRUCCIONES IMPORTANTES**

**Por favor lea y guarde estas importante SAFETY instrucciones cuando utilice aparatos electricos, las precauciones básicas siempre deben seguirse para reducir el riesgo de incendio, descargas eléctricas y lesiones personales, incluyendo las siguientes:**

1. Lea todas las instrucciones antes de usar este calentador.
2. Este calentador está caliente cuando está en uso. Para evitar quemaduras, no permita que la piel desnuda toque superficies calientes. Si proporciona, utilice las manijas al mover el calentador. Mantenga los materiales combustibles, tales como muebles, almohadas, ropa de cama, papeles, ropa y cortinas por lo menos 3 pies (0.9 m) del calentador.
3. Gran precaución es necesaria cuando el calentador se utiliza en o cerca de niños, mascotas o personas inválidas y siempre que se deje el calentador funcionando desatendido.
4. Si es posible, siempre desconecte el aparato cuando no esté en uso.
5. No opere ningún calentador con un cordón o enchufe dañado o después de un mal funcionamiento del calentador, ha caído o dañado de alguna manera.
6. Las reparaciones de este aparato deben ser realizadas por una persona calificada
7. Bajo ninguna circunstancia se debe modificar este aparato. Piezas de tener que retirarse de servicio deben ser reemplazadas antes de operar este aparato otra vez.
8. No use al aire libre.
9. Utilice su calentador sólo en ambientes secos. Este calefactor no está diseñado para su uso en baños, lavaderos y lugares interiores similares. Nunca coloque el calentador donde puede caer en una bañera o cualquier otro recipiente de agua. No utilice el calentador al aire libre. No utilice cerca de fregaderos, piscinas u otras áreas húmedas tales como sótanos inundados, garajes, etc. o cualquier lugar donde puedan entrar en contacto con el agua en el calentador.
10. No use este calefactor en lugares elevados, tales como estantes, plataformas elevadas, etc.
11. No pase el cable debajo de la alfombra. No cubra el cable con alfombras, tapetes o cubiertas similares. Coloque el cable lejos de zonas de tráfico y donde nadie pueda tropezarse.
12. Para desconectar el calentador, primero apague los controles, luego retire el enchufe del tomacorriente. Siempre desenchufe el calefactor cuando no esté en uso.
13. Conecte solamente en un tomacorrientes debidamente conectado a tierra.
14. Este aparato, cuando se instala, debe ser eléctricamente puesta a tierra conforme a los códigos locales, con el actual CSA C22.0 códigos eléctricos canadiense o para instalaciones en Estados Unidos, siga los códigos locales o para instalaciones en Estados Unidos, siga los códigos locales y el Código Eléctrico Nacional ANSI/NFPA No. 70.
15. No inserte ni permita que objetos extraños introducir ninguna ventilación o escape abrir ya que esto podría causar una descarga eléctrica o un incendio o dañar el calentador.
16. Para evitar un posible incendio, no bloquee las entradas de aire o escape de cualquier manera. No use sobre superficies blandas, como una cama, donde las aberturas pueden bloquearse.
17. Este aparato tiene piezas calientes y arcos o chispas. No lo use en áreas donde gasolina, pintura o líquidos inflamables son utilizados o almacenados. Este aparato no debe utilizarse como un tendedero para la ropa, ni deberían ser colgadas las medias de Navidad o las decoraciones o cerca de él.
18. Use este calefactor solamente como se describe en este manual. Cualquier otro uso no recomendado por el fabricante puede causar incendio, choque eléctrico o lesiones a las personas.
19. Siempre conecte calentadores directamente a un tomacorriente o receptáculo de pared. Nunca use con un cable de extensión o regleta reubicables.
20. No use este calefactor con faltantes, las piernas están dañadas o rotas.
21. "GUARDE ESTAS INSTRUCCIONES"

## SIEMPRE OBSERVE que ESTAS MEDIDAS DE SEGURIDAD AL OPERAR SU CALENTADORA ELECTRICA

- Siempre** Lea todas las instrucciones antes de operar
- Siempre** Sitúe su calentadora eléctrica lejos de muebles o afloje cortinas colgantes.
- Siempre** Mantenga la parrilla trasera lejos de paredes o cortinas por no bloquear la toma de aire. (Si aplicable)
- Siempre** Desenchufe calentadora eléctrica cuando no en uso
- Siempre** Utilice calentadora eléctrica en una superficie seca plana
- Siempre** Utilice en 110-120 voltio 60 alimentación de Hz C.A.
- Siempre** Dirija la cuerda tan no será pisado tropezado sobre ni pellizcado por muebles
- Siempre** Mantenga cuerdas eléctricas, las cortinas y otro mobiliario lejos de su calentadora eléctrica
- Siempre** Mantenga su calentadora eléctrica limpia y el filtro libre de polvo. (Si aplicable)
- Siempre** Utilice dentro sólo.
- Nunca** Las cortinas del lugar, la ropa o las toallas sobre calentadora eléctrica secar.
- Nunca** Uso en la presencia de explosivo ni vapores flamables como gas ni pinta
- Nunca** Tape otro electrodoméstico en el mismo circuito. Los fusibles soplados, peligros tropezados de circuitos y fuego pueden resultar.
- Nunca** El agua del uso o líquidos para limpiar su calentadora eléctrica.
- Nunca** Permita toque descubierto de piel superficies calientes como esto puede causar quemaduras
- Nunca** Deje calentadora eléctrica desatendida.
- Nunca** Deje calentadora eléctrica cuando niños o animales favoritos sean presentes.
- Nunca** Sitúe calentadora eléctrica donde puede caerse en una tina de baño u otros contenedores de agua.
- Nunca** Opere calentadora eléctrica con una cuerda dañada, el tapón o después de que la calentadora falle, o haya sido dejada caer o Ha Sido Dañada en cualquier.
- Nunca** Corra cuerda bajo alfombrar ni cobertura con tapetes de tiro ni corredores.
- Nunca** Inserte ni permita objetos extranjeros entrar cualquier ventilación ni agotar aperturas, como esto puede causar un golpe eléctrico, el fuego o el daño.



## Calefacción de Zona

El concepto de la Calefacción de Zona es sencillo. Utilice calentadoras Altas de Eficiencia para calentar los cuartos que usted utiliza más, durante los tiempos usted utiliza estas áreas y se vuelve el termostato a su sistema de la calefacción central. Para lograr el beneficio máximo que es importante comprender su calentadora y donde vence situarlo.

### Siga por favor estas sugerencias:

1. Las puertas cercanas a áreas usted no desea calentar.
2. Sitúe una tres salida de punta por una pared interior si es posible. Posicione la calentadora para que el aire tibio pueda soplar libre a través del cuarto hacia las paredes exteriores.
3. Verifique sus ventanas y las puertas para la infiltración de aire frío y aisle como necesitó para evitar pérdida de calor. La pérdida rápida del calor minimizará la eficacia de su calentadora Infrarroja como hace calentadora convencional de tipo.
4. Mantenga el área alrededor de la calentadora libre de obstrucciones para asegurar corriente de aire máxima. Mantenga cuerdas eléctricas, las colgaduras, los muebles, y otros combustibles 3 pies (0,9 M) lejos de la frente de la calentadora y lejos de los lados.
5. Evite situar su calentadora en áreas altas de tráfico o en la luz directa del sol.
6. Evite situar su calentadora cerca de su termostato de calefacción central.

## INSTRUCCIONES PARA PODER

**ADVERTENCIA:** Antes de dar servicio al calefactor Asegúrese de desenchufar el calentador del tomacorriente de pared. HacerNo sólo apaga calentador desde el "interruptor ON/OFF", asegúrese de desenchufar el calentador.

Nota: El cable tiene un enchufe polarizado (con una pata más ancha que la otra) que sólo encajará en un tomacorriente polarizado de una manera. Si no inserta fácilmente intentarlo invirtiendo la clavija. Si aún no encaja contacto con un electricista para que reemplace el tomacorriente. No anule el propósito de seguridad del enchufe polarizado.

### CONEXIÓN ELÉCTRICA

15 Amperios, 120 voltios, 60Hz circuito con un tomacorriente es necesaria.

Preferentemente, el calefactor estará en un circuito dedicado. Otros aparatos en el mismo circuito pueden causar el disyuntor de viaje o el fusible cuando el calentador está en funcionamiento. La unidad viene estándar con un 6' (1828mm) largo tres alambres cable saliendo de la parte trasera de la chimenea.



**ADVERTENCIA:** eléctrico enchufe el cableado debe cumplir con códigos de construcción locales y todo otras regulaciones aplicables para reducir el riesgo de incendio, electrocución y lesiones.

**ADVERTENCIA:** No utilice esta chimenea si cualquier parte de ella ha estado bajo el agua. Llame de inmediato a un técnico de servicio calificado para inspeccionar la chimenea y reemplace cualquier pieza del sistema eléctrico si es necesario.

## Ensamblaje de la pierna

4 Cuatro piernas

12 Doce tornillos

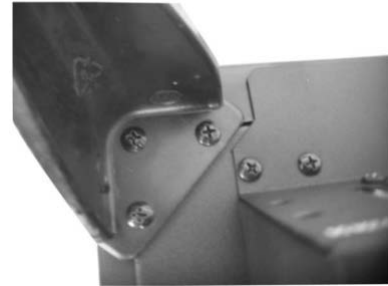
Herramientas necesarias: Destornillador Phillips



**ADVERTENCIA:** No use este calefactor con faltantes, las piernas dañadas o rotas.

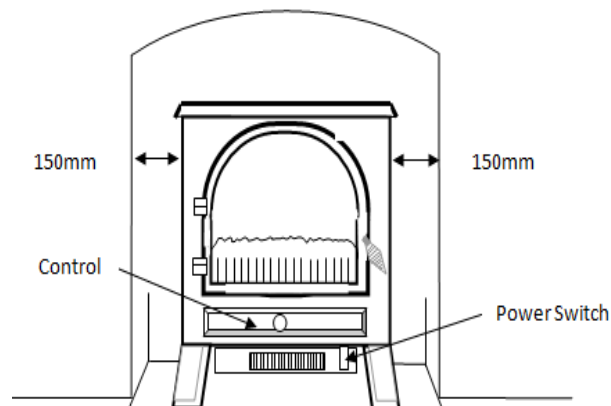
Poner estufa boca abajo sobre una superficie acolchada para evitar arañazos en la superficie de la estufa.

Alinee los agujeros en la pierna con los agujeros en la parte inferior del cuerpo de la estufa. Con el uso del destornillador pierna segura con los tornillos proporcionados (3 tornillos por la pierna) una muestra en la figura siguiente.



## LOCALIZAR SU CHIMENEA ELÉCTRICA

- Su nueva chimenea eléctrica independiente puede instalarse prácticamente en cualquier lugar en el interior en su hogar. Sin embargo, al elegir una ubicación para su nueva chimenea eléctrica, asegúrese de que se sigan las instrucciones generales y advertencias de las páginas 3 y 4. Para obtener mejores resultados, instale la chimenea eléctrica fuera de la luz solar directa.
- 
- Si coloca la estufa empotrada en la pared, asegúrese de que hay por lo menos 6 pulgadas de espacio en todos los lados para asegurar la buena circulación de aire.
- La chimenea no debe colocarse sobre una toma de corriente fija. El enchufe debe estar siempre accesible con el fin de desconectar el suministro eléctrico para el mantenimiento del calentador.
- Utilice su calentador sólo en ambientes secos. Este calefactor no está diseñado para su uso en baños, lavaderos y lugares interiores similares. Nunca coloque el calentador donde puede caer en una bañera o cualquier otro recipiente de agua. No utilice el calentador al aire libre. No utilice cerca de fregaderos, piscinas u otras áreas húmedas tales como sótanos inundados, garajes, etc. o cualquier lugar donde puedan entrar en contacto con el agua en el calentador.



# CONTROLES

## Ubicación de controles

1. El interruptor principal está situado debajo del panel de control en el panel del ventilador/calefacción.
2. Termostato de control - ajustar para mantener la temperatura de la habitación (Ciclos entre 750 y 1500W)
3. Control de intensidad llama - ajustar para ajustar la intensidad de la llama
4. Interruptor del ventilador - uso solo para aire frío o con ajustes de calor
5. Calor interruptor - alta temperatura cuando se utiliza con baja temperatura
6. Interruptor - alta temperatura cuando se utiliza con ajuste de calor bajo el calor
7. Switch lámpara - interruptores llama/combustible efecto encendido/apagado



## CORTE AUTOMÁTICO

Dispone de un interruptor de corte en el elemento de calefacción para evitar daños por sobrecalentamiento. Si se cortará debido a una obstrucción en el flujo de aire, el calentador debe permitir que se enfríe durante 15 minutos y la obstrucción debe quitarse antes de reiniciar.

Aviso: Calentador sólo funcionará si es el interruptor del ventilador y termostato está situado por encima de la temperatura ambiente actual

# INSTRUCCIONES OPERADORAS

Una vez que la estufa ha sido correctamente montada y conectado a un tomacorriente, está listo para funcionar:

**Una vez que la estufa ha sido correctamente montada y conectado a un tomacorriente, está listo para funcionar:**

## **Alimentación principal:**

1. El interruptor principal (#1) está ubicado en ventilador/calefacción (junto a la pata derecha delantera), debajo del panel de control. Pulse este botón para alimentación principal a la unidad. La luz indicadora se pondrá roja.

**Abra la puerta del panel de control, situado sobre el interruptor de alimentación principal, con el mando de la parte delantera de la estufa.**

## **2. Termostato de control:**

Para ajustar la temperatura a sus necesidades individuales, gire el termostato (#2) a la derecha (sentido horario) para aumentar la temperatura deseada, o a la izquierda (sentido antihorario) para disminuir la temperatura deseada. Este dial de control del termostato puede utilizarse solamente mientras que el ventilador del interruptor (#3) y uno o ambos de los interruptores 750W/750W (# 4 & 5) en la posición "on". Cuando el aparato alcanza la temperatura deseada, el calentador y uno o dos de las luces indicadoras de 750W se apagarán.

## **3. Ventilador:**

Usar solo para el flujo de "aire fresco". Interruptor del ventilador (#3) debe estar en la posición "on" para ajustes de calor funcionar.

## **4. 750W:**

Para la función de calor bajo - Presione el interruptor de 750W (#4) mientras que el interruptor del ventilador (#3) está en la posición "on" a fuego lento. La luz indicadora se encenderá.

## **5. 1500W: (ambos interruptores 750W)**

Para la función de calor alto - Presione 750W segundo interruptor (#5) mientras que el ventilador y switches (# 4) están en la posición "on" para alta temperatura. La luz indicadora se encenderá

## **6. Llama efecto:**

Presione el interruptor de efecto de llama (#6) a la posición "on" por efecto de la llama. La luz indicadora se encenderá. Esta función puede ser utilizada sin calor o ventilador.

## **7. Llama Control de intensidad:**

Gire el regulador (#7) en sentido horario o antihorario para conseguir la intensidad deseada de la llama. puede usarse sólo cuando el interruptor de efecto de llama está en la posición "on".

## **NOTA:**

**Funciones de calor no funcionará a menos que el interruptor del ventilador (#3) está en la posición "on".**

## INSTRUCCIONES DE SERVICIO



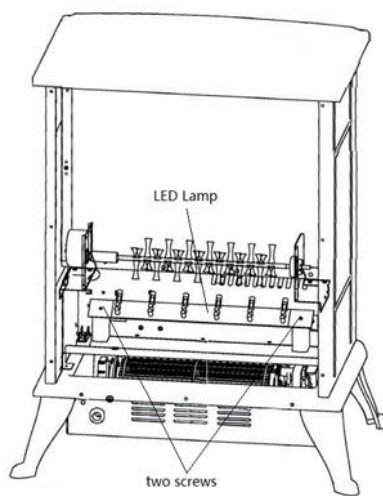
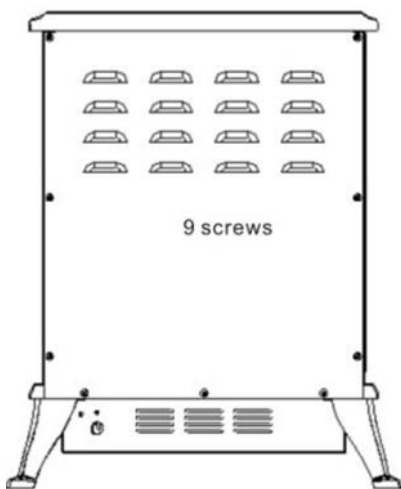
**ADVERTENCIA:** Desconecte la alimentación eléctrica y deje que la unidad se enfríe completamente antes de intentar cualquier mantenimiento o limpieza para reducir el riesgo de incendio, choque eléctrico o lesiones personales.

### REEMPLAZO DE BOMBILLAS

**PRECAUCIÓN:** Aunque el vidrio es vidrio de seguridad puede romper si golpea, golpea o se cae. Debe tenerse cuidado al manipular el vidrio.

Las bombillas instaladas en este calentador son LED FP202SP / X3X-304.

1. Desenchufe la unidad.
2. Si la estufa ha estado funcionando, deje que la unidad se enfríe por lo menos 1 hora.
3. Afloje y retire los 9 tornillos que sujetan el panel trasero de la estufa al cuerpo principal de la estufa.
4. Retire las bombillas LED y reemplácelas con FP202SP / X3X-304.
5. Vuelva a colocar el panel de acceso trasero y apriete los tornillos (no apriete demasiado).



**ADVERTENCIA:** Las bombillas instaladas en este calentador son bombillas LED FP202SP / X3X-304. El uso de cualquier otro tipo de bombilla puede resultar en un incendio causando daño a la propiedad y lesiones

## INFORMACIÓN DE CRISTAL

1. Bajo ninguna circunstancia debe operar este producto con vidrio faltan o roto.
2. No golpee o golpear el vidrio.
3. No use limpiadores abrasivos para limpiar el vidrio.
4. Reemplazo vidrio está disponible por el fabricante y sustitución debe realizarse por una persona calificada.



**ADVERTENCIA: Espere hasta que la unidad se enfríe completamente antes de intentar cualquier tipo de limpieza.**

## LIMPIEZA

Para limpiar la unidad, primero apague los uni y desconecte la unidad de fuente de alimentación.

Para limpiar la puerta de cristal: Quite el polvo con un paño limpio y seco o quitar el dedo impresiones y otras marcas de vidrio limpio con un paño limpio y húmedo. No use limpiadores abrasivos o rociar líquidos sobre superficies de vidrio de la puerta.

Metal y metal piezas pintadas deben limpiarse con un paño limpio y húmedo solamente. No use limpiadores abrasivos o rociar líquidos en esta superficie.

## SOLUCIÓN DE PROBLEMAS

Si el calentador no funciona, por favor verifique lo siguiente antes de buscar la reparación del servicio:

1. Verifique si está funcionando la electricidad para el fusible principal
2. Compruebe si el cable de alimentación está enchufado a una toma de corriente, si no, enchufa.
3. Asegúrese que el interruptor principal en la parte posterior de la estufa esté en "on"
4. Asegurar que se presiona el botón de encendido en la parte frontal de la unidad "on"
5. Si el botón de encendido en la parte frontal del calentador es rojo pero el calentador no está funcionando, entonces la seguridad sobrecalentamiento función pudo haber sido accionado. Pruebe pulsando el botón de encendido. Si el calentador no se enciende, despejar las obstrucciones de la parte delantera y trasera del calentador que pudo haber causado el recalentamiento interno. Deje que se enfríe unos 10 minutos y luego presione el botón de encendido otra vez

Nota: El calentador no puede estar funcionando si el termostato se fija más bajo que la temperatura ambiente. Para iniciar la operación, aumentar la temperatura del termostato a una temperatura más alta.

# GARANTIA ELECTRICA PORTATIL de CALENTADORA

## **La GARANTIA LIMITADA:**

Una garantía limitada es extendida al comprador original de esta calentadora y autorizaciones contra falla debido a defectos industriales por un período de

(1) un año de la fecha de la compra de la venta al por menor. Lea por favor y siga todos los detalles notados abajo. **Los RECLAMOS MANEJARON DE LA SIGUIENTE MANERA:**

- No REGRESA a COLOCAR DE la COMPRA

- Contacta nuestro Departamento de Servicio de Customer en 1-800-776-9425. Debe tener el número modelo, el número de serie y la fecha de la compra.

-Le proporcionarán con instuictions adicional, que puede repuestos de include, la reparación o el reemplazo en nuestra opción

**LLAME 1-800-776-9425 PARA el SERVICIO (9AM-6PM Lunes-Viernes)  
PEMAIL EEUU EN [info@worldmkting.com](mailto:info@worldmkting.com)**

## **Los DEBERES DEL PROPIETARIO:**

Este aparato de la calefacción debe ser operado de acuerdo con las instrucciones escritos amuebladas con esta calentadora. Esta garantía no dispensará al propietario de mantener apropiadamente esta calentadora de acuerdo con las instrucciones escritos amueblados con esta calentadora. Una escritura de venta, registro de cheque pagado o pago debe ser mantenido para verificar la compra la fecha y establecer el período de garantía. El cartón original debe ser mantenido en caso del regreso de garantía de la unidad.

## **LO QUE no ES CUBIERTO:**

1. El daño causado por maltrato o utiliza al contrario del manual de propietarios y pautas de seguridad.
2. El daño causado por una falta de mantenimiento normal.
3. Repare por una persona no autorizada.
4. El daño causado por conexión a un voltaje impropio.
5. Dañado causado por el uso fuera.

## Las LIMITACIONES:

Esta garantía no implica ni asume responsabilidad para daños consecuentes que pueden resultar del uso, del maltrato, o de la falta de mantenimiento rutinario de este aparato de la calefacción. Un honorario de limpieza y el costo de partes pueden ser cargados para fracasos de aparato que resultan de la falta de mantenimiento. Esta garantía no cubre reclamos, que no implican habilidad ni materiales defectuosos. El INCUMPLIMIENTO MANTENIMIENTO GENERAL (INCLUSIVE LIMPIEZA) VACIARA ESTA GARANTIA.

ESTA GARANTIA LIMITADA ES DADA AL COMPRADOR EN VEZ DE TODAS LAS OTRAS GARANTIAS, EXPRESADO O IMPLICITO, INCLUSIVE PERO no LIMITADO A LAS GARANTIAS DE COMERCIALIZACION DE la SALUD PARA UN PROPOSITO PARTICULAR. EL REMEDIO PROPORCIONADO EN ESTA GARANTIA ES EXCLUSIVO Y GRANT EN VEZ DE TODOS LOS OTROS REMEDIOS. EN ningún ACONTECIMIENTO HACE MARKETING de MUNDO DE AMERICA ES RESPONSABLE DE el CASUAL O DAÑOS CONSECUENTES.

Algunos estados no permiten limitaciones en cuánto tiempo una garantía implícita dura, así que la limitación antes mencionada no le puede aplicar. Algunos estados no permiten la exclusión ni la limitación de daños casuales ni consecuentes tan que la limitación ni exclusión antes mencionadas no le pueden aplicar.

**Para su registro, cosa con una grapa su recibo de ventas a este manual y registra lo Siguiete:**

**La FECHA DE la COMPRA:** \_\_\_\_\_

**EI LUGAR DE la COMPRA:** \_\_\_\_\_

**EI NUMERO DE SERIE:** \_\_\_\_\_





*Comfort Glow*<sup>®</sup>

ES4215

ES4220

**Poêle Électrique  
Sur Pieds**

**Instructions d'installation et manuel de l'utilisateur**

**ATTENTION: LE NON-RESPECT DES INFORMATIONS CONTENUES DANS CE MANUEL PEUT RÉsulTER EN UN INCENDIE CAUSANT DES DOMMAGES MATÉRIELS, DES LÉSIONS CORPORELLES OU LA PERTE DE VIES.**



Comfort Home Products, Inc.  
12256 William Penn Hwy, Ste A  
Huntingdon, PA 16652

Fabriqué en Chine

COMFORT GLOW PHONE NUMBER: (814) 643-1775  
<http://www.worldmkting.com>

**POUR VOTRE  
SÉCURITÉ**

POUR VOTRE SÉCURITÉ  
NE PAS UTILISER DE GAZ  
NI AUCUNE AUTRE  
VAPEUR INFLAMMABLE  
OU DE LIQUIDES À  
PROXIMITÉ DE CET  
APPAREIL OU DE TOUT  
AUTRE APPAREIL

ANSI/UL 1278. MOVABLE AND WALL-OR CEILING HUNG ELECTRIC ROOM HEATERS

**NE PAS JETER CE MANUEL - LE LAISSER À L'UTILISATEUR  
UTILISATEUR: VEUILLEZ CONSERVER CE MANUEL POUR LES FUTURES UTILISATIONS**

# MERCI DE LIRE LES CONSIGNES AVANT TOUTE UTILISATION DU MATÉRIEL

**IMPORTANT: Lire attentivement toutes les instructions et avertissements avant de commencer l'installation. Le non-respect de ces instructions peut entraîner un éventuel choc électrique, un danger de feux ou annuler la garantie.**

<u>Table des matières, fiche</u>	<u>26</u>
<u>Consignes de sécurité importantes</u>	<u>27-28</u>
<u>Chaleur de zone permet d'économiser, Instructions pour puissance</u>	<u>29</u>
<u>Assemblée, localiser votre appareil</u>	<u>30</u>
<u>Commandes, fonctionnement du chauffage</u>	<u>31-32</u>
<u>Service, entretien</u>	<u>33-34</u>
<u>Directives de garantie</u>	<u>35-36</u>

## **Spécifications:**

**Modèle: ES4215 ES4220**

Tension: 110-120V

Amplis totaux: 12.5A

Watts totaux: 750-1500W

Classements de chauffage: 1400W (+5%-10%)

## **DÉGAGEMENT DE COMBUSTIBLES**

Dos.....6"

Côtés.....6"

Sommet.....24"

Avant.....36"

Les dimensions, les Pouces (H x W x D):

Cheminée: 21 x 15.5 x 10.5

Boîte: 22 x 18.5 x 12.5

**UTILISATION : Ce produit est destiné uniquement pour usage domestique ou de bureau à l'intérieur. Il n'est pas prévu pour l'usage industriel ou commercial. NE PAS UTILISER À L'EXTÉRIEUR**

## **CONSIGNES IMPORTANTES**

**S'il vous plaît lire et conserver ces importants SAFETY INSTRUCTIONS lors de l'utilisation d'appareils électriques, des précautions de base doivent toujours être observées pour réduire le risque d'incendie, électrocution et de blessures corporelles, y compris ce qui suit :**

1. Lire toutes les instructions avant d'utiliser cet appareil de chauffage.
2. Ce radiateur est chaud lorsque vous l'utilisez. Pour éviter les brûlures, ne laissez pas peau nue toucher des surfaces chaudes. Si fourni, utilisez les poignées lors du déplacement de cet appareil de chauffage. Gardez les matières inflammables, tels que meubles, oreillers, literie, papiers, vêtements et rideaux au moins 3 pieds (0,9 m) de l'appareil de chauffage.
3. Une prudence extrême est nécessaire lorsqu'un appareil de chauffage est utilisé par ou près d'enfants, des animaux ou des personnes handicapées, et quand le chauffage est en fonctionnement sans surveillance.
4. Si possible, toujours débrancher l'appareil quand pas en service.
5. Ne faites pas fonctionner un appareil de chauffage si le cordon ou la fiche, ou après un dysfonctionnement, a été supprimé ou endommagé de quelque façon.
6. Toute réparation de cet appareil doit être effectuée par un technicien qualifié.
7. En aucun cas cet appareil devrait être modifié. Pièces doivent être enlevé pour réparer doivent être remplacés avant de faire fonctionner cet appareil à nouveau.
8. Ne pas utiliser à l'extérieur.
9. Utilisez votre appareil de chauffage uniquement dans des environnements secs. Ce radiateur n'est pas destiné à être utilisé dans les salles de bains, buanderies et emplacement intérieur semblable. Ne placez jamais l'appareil de chauffage où elle risque de tomber dans une baignoire ou autre contenant d'eau. N'utilisez pas votre appareil de chauffage à l'extérieur. Ne pas utiliser près des éviers, des piscines ou autres zones humides comme les sous-sols inondés, garages, etc. ou n'importe quel endroit où l'appareil de chauffage pourrait entrer en contact avec l'eau.
10. N'utilisez pas cet appareil dans des endroits élevés, comme sur les tablettes, les plates-formes surélevées, etc..
11. Ne pas passer le cordon sous un tapis. Ne pas recouvrir le cordon avec carpepe, coureurs ou revêtements similaires. Organiser le cordon loin de la zone à circulation et où il ne va pas faire trébucher.
12. Pour débrancher l'appareil, tournez l'interrupteur à arrêt, puis retirez la prise. Toujours débrancher l'appareil de chauffage quand pas en service.
13. Brancher sur une prise reliée à la terre seulement.
14. Cet appareil, lorsqu'il est installé, doit être mise à la terre conformément aux codes locaux, avec l'actuel CSA C22.0 codes électriques canadiennes ou pour les installations de USA, suivez les codes locaux ou pour les installations de USA, suivez les codes locaux et la National Electric code ANSI/NFPA n° 70.
15. Ne pas insérer ou laisser des corps étrangers d'entrer toute ventilation ou ouvertures car cela pourrait provoquer une électrocution ou un incendie, ou endommager le radiateur.
16. Pour éviter les risques d'incendie, ne pas bloquer les bouches d'aération ou d'évacuation de quelque manière. Ne pas utiliser sur une surface molle comme un lit, ce qui peuvent obstruer les ouvertures.
17. Cet appareil comporte des pièces chaudes des arcs électriques ou des étincelles. Ne l'utilisez pas dans les zones où l'essence, peinture ou autres liquides inflammables sont utilisés ou stockés. Cet appareil ne doit pas servir un séchoir pour vêtements, ni bas de Noël ou décorations devraient être suspendues ou à proximité.
18. Utiliser cet appareil comme décrit dans ce manuel. Toute autre utilisation non recommandée par le fabricant peut provoquer incendie, électrocution ou des blessures aux personnes.
19. Toujours brancher le chauffe directement dans une prise murale. Ne jamais utiliser avec une rallonge ou multiprise relogeable.
20. Ne pas utiliser ce radiateur avec manquant, endommagés ou cassés des jambes.
21. « CONSERVEZ CES INSTRUCTIONS »

## **TOUJOURS SUIVRE CES PRÉCAUTIONS DE SÉCURITÉ LORS DE L'UTILISATION DE CE POÊLE ÉLECTRIQUE**

- TOUJOURS** Lire toutes les instructions avant utilisation.
- TOUJOURS** Placer votre poêle électrique à l'écart des meubles ou des draps pendants.
- TOUJOURS** Tenir la grille arrière du poêle éloignée des murs ou des draps pour ne pas obstruer la bouche d'aération. (Le cas échéant)
- TOUJOURS** Débrancher la prise électrique du poêle lorsqu'il n'est pas utilisé.
- TOUJOURS** Utiliser le poêle électrique sur une surface sèche et plane.
- TOUJOURS** Utiliser sur une alimentation de type secteur universel fournissant du 110-120 volts 60 Hz AC.
- TOUJOURS** Enrouler le cordon pour ne pas marcher ou trébucher dessus et pour éviter tout accrochage avec les meubles.
- TOUJOURS** Tenir les cordons électriques, les draps et autres meubles à l'écart du poêle électrique.
- TOUJOURS** Veuillez à garder le poêle propre et à dépoussiérer le filtre. (Le cas échéant)
- TOUJOURS** Usage en intérieur uniquement.
- NE JAMAIS** Placer de draps, de vêtements ou de serviettes sur le poêle électrique pour les faire sécher.
- NE JAMAIS** Utiliser en présence de vapeurs explosives ou inflammables telles que l'essence ou la peinture.
- NE JAMAIS** Brancher un autre appareil électrique sur le même circuit. Cela pourrait engendrer le sautage des fusibles, un endommagement du circuit ou des dangers d'incendie.
- NE JAMAIS** Utiliser de l'eau ou du liquide pour nettoyer le poêle.
- NE JAMAIS** Laisser la peau nue toucher les surfaces chaudes, cela pourrait provoquer des brûlures.
- NE JAMAIS** Laisser le poêle électrique sans surveillance.
- NE JAMAIS** Laisser le poêle électrique à proximité d'enfants ou d'animaux.
- NE JAMAIS** Placer le poêle électrique à proximité d'une baignoire ou d'autres contenants d'eau dans lequel il pourrait tomber.
- NE JAMAIS** Faire fonctionner de poêle dont le cordon ou la prise sont endommagés ou en état de disfonctionnement causé par la chute ou dommage de l'appareil.
- NE JAMAIS** Placer le cordon sous des tapis ou le couvrir avec carpettes ou autre type de couverture.
- NE JAMAIS** Insérer ou laisser entrer un objet extérieur dans la ventilation ou dans la sortie d'échappement, cela pourrait créer un choc électrique, un incendie ou endommager le poêle.

## ÉCONOMISEZ GRÂCE AU CHAUFFAGE PAR ZONES !

Le concept du chauffage par zones est simple. Utilisez des poêles à haut rendement pour chauffer les pièces dans lesquelles vous allez le plus, pendant les heures où vous occupez ces pièces et remettez le thermostat sur le système de chauffage central. Afin d'obtenir un résultat optimal, il est important de comprendre votre poêle et trouver le meilleur endroit où le placer.

Merci de suivre ces suggestions :

1. Fermez les portes de la zone ou pièce que vous ne souhaitez pas chauffer
2. Cherchez une prise de courant à trois branches sur un mur intérieur si possible. Positionnez le poêle Pour que l'air chaud peut souffler dégagé à travers la pièce vers les murs extérieurs.
3. Vérifiez les fenêtres et portes pour éviter l'infiltration d'air froid et isolez suffisamment pour éviter les pertes de chaleur. Une perte rapide de chaleur réduira l'efficacité de votre poêle infrarouge comme sur n'importe quel chauffage conventionnel.
4. Garder la zone autour du poêle libre de tout obstacle pour assurer une circulation d'air maximale. Tenir les cordons électriques, draps, meubles, et tout autre combustible 0,9m à l'écart des parties frontale et latérales du poêle.
5. Evitez de placer le poêle dans des zones de passage ou à la lumière directe du soleil.
6. Evitez de placer votre poêle à proximité de votre système de chauffage central.

## INSTRUCTIONS D'ALLUMAGE

**ATTENTION: Avant d'entretenir ce poêle assurez-vous de le débrancher de la prise de courant. Ne pas seulement éteindre le poêle grâce au bouton "MARCHE/ARRET", s'assurer également que celui-ci est débranché.**

Note: Le cordon d'allumage est une prise polarisée (avec une branche plus large que l'autre) qui ne pourra s'introduire que dans une prise électrique polarisée. Si celle-ci ne s'insère pas facilement, essayez de retourner la prise dans l'autre sens. Si vous ne parvenez toujours pas à l'insérer, contactez votre électricien pour remplacer la prise électrique. NE PAS enlever la protection de sécurité sur la prise polarisée.

### CONNECTION ELECTRIQUE

Un circuit de 15 Ampères, 120 Volts et 60 Hz et une prise électrique terrestre solide sont nécessaires. De préférence, le poêle sera branché sur un circuit spécial. Brancher d'autres appareils sur le même circuit peut amener le circuit à disjoncter ou faire sauter le fusible lorsque le poêle est en cours d'utilisation. Le poêle est fourni avec un triple cordon d'une longueur de 1828mm dont la sortie se trouve à l'arrière du poêle.



**AVERTISSEMENT:** Le câblage de la prise électrique murale doit être en réglementation avec les codes locaux des bâtiments et autres réglementations applicables afin de réduire le risque d'incendie, de chocs électriques ou de lésions corporelles.

**AVERTISSEMENT:** Ne pas utiliser ce poêle si une des parties le constituant a été immergée. Appelez immédiatement un technicien qualifié afin d'inspecter le poêle et remplacer les parties du système électrique si besoin.

## Assemblage des pieds

4 Quatre jambes

Douze 12 vis

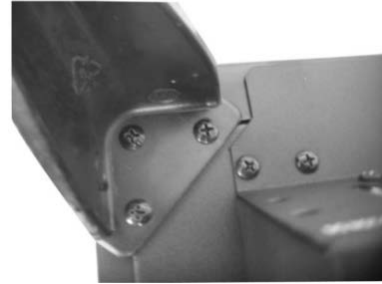
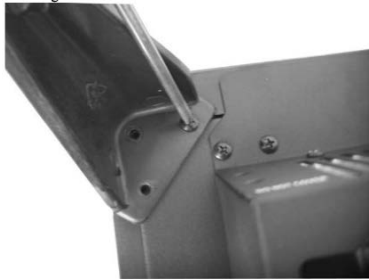
Outils nécessaires : tournevis cruciforme



**AVERTISSEMENT** : Ne pas utiliser ce radiateur avec manquant, endommagés ou cassés des jambes.

Placer l'appareil à l'envers sur une surface matelassée pour éviter les rayures à la surface de votre poêle.

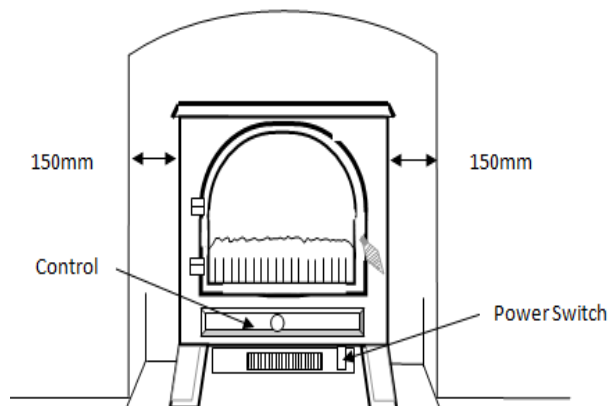
Alignez les trous dans la jambe avec des trous dans la partie inférieure du corps de la poêle. À l'aide du tournevis pied sûr avec les vis fournies (3 vis par jambe) a indiqué dans la figure ci-dessous.



## LOCALISATION DE VOTRE FOYER ÉLECTRIQUE

Votre nouveau foyer électrique autoportante peut être installé pratiquement n'importe où en intérieur dans votre maison. Toutefois, lorsque vous choisissez un emplacement pour votre nouveau foyer électrique, veiller à ce que les instructions générales et mises en garde des pages 3 et 4 sont suivies.

- Si vous placez l'appareil dans une alcôve, assurez-vous qu'il y a au moins 6 pouces de l'espace sur les côtés afin d'assurer la bonne circulation d'air.
- Le chauffage de cheminée ne doit pas être situé sur une prise de courant fixe. La prise doit toujours être accessible afin de déconnecter l'appareil du réseau électrique pour l'entretien.
- Utiliser votre appareil de chauffage uniquement dans des environnements secs. Ce radiateur n'est pas destiné à être utilisé dans les salles de bains, buanderies et emplacement intérieur semblable. Ne placez jamais l'appareil de chauffage où elle risque de tomber dans une baignoire ou autre contenant d'eau. N'utilisez pas votre appareil de chauffage à l'extérieur. Ne pas utiliser près des éviers, des piscines ou autres zones humides comme les sous-sols inondés, garages, etc. ou n'importe quel endroit où l'appareil de chauffage pourrait entrer en contact avec l'eau.



## CONTRÔLES

### Emplacement des commandes

1. **L'interrupteur d'alimentation principal** est situé sous le panneau de commande sur le panneau du ventilateur/radiateur.
2. Commande du thermostat - ajuster afin de maintenir la température ambiante (Cycles entre 750 et 1500W)
3. Flamme gradateur - régler pour régler l'intensité de la flamme
4. Interrupteur de ventilateur - seule l'utilisation pour l'air frais ou avec des réglages de chaleur
5. Chauffer interrupteur - haut niveau lorsqu'il est utilisé avec la basse température de cuisson
6. Chauffer le commutateur - chaleur haute définition lorsqu'il est utilisé avec la basse température
7. Interrupteur - commutateurs flamme/carburant effet on/off



### COUPURE AUTOMATIQUE

Un interrupteur est monté sur l'élément chauffant pour éviter tout dommage dû à une surchauffe. Si il coupes décollage en raison d'une obstruction à la circulation de l'air, le chauffage doit être autorisé à refroidir pendant 15 minutes et l'obstruction doit être enlevée avant de redémarrer.

**Avis :** Radiateur ne fonctionnera que si interrupteur de ventilateur est activé et le thermostat est réglé au-dessus de température ambiante

## FONCTIONNEMENT DE VOTRE APPAREIL DE CHAUFFAGE

**Une fois que le poêle a été correctement monté et raccordé à une prise électrique mise à la terre, il est prêt à fonctionner :**

### **Alimentation principale :**

1. L'interrupteur d'alimentation principal (#1) situé sur le ventilateur/radiateur (à côté de la jambe droite devant), sous le panneau de configuration. Appuyez sur ce bouton pour l'alimentation principale de l'appareil. Le voyant s'allume en rouge.

**Porte panneaux de contrôle ouvert, situé au-dessus de l'interrupteur principal.**

### **2. Commande du thermostat :**

Pour ajuster la température à vos besoins individuels, tournez le bouton du thermostat (#2) vers la droite (sens horaire) pour augmenter la température désirée, ou vers la gauche (sens antihoraire) pour diminuer la température désirée. Ce bouton de réglage du thermostat utilisable uniquement pendant que le ventilateur interrupteur (#3) et un ou deux des interrupteurs 750W/750W (# 4 & 5) sont en position « on ». Lorsque l'appareil de chauffage atteint la température désirée, le chauffage et l'autre ou tous les deux des voyants 750W seront éteindra.

### **3. Ventilateur :**

Utiliser seul pour les flux « air froid ». Interrupteur de ventilateur (#3) doit être en position « on » pour les réglages de température fonctionner.

### **4. 750W :**

Pour la fonction de feu doux - commutateur de presse 750W (#4) tandis que le commutateur de ventilateur (#3) est en position « on » à feu doux. Le voyant lumineux s'allume.

### **5. 1500W: (les deux interrupteurs 750W)**

Pour la fonction de chaleur haute - presse deuxième 750W commutateur (#5) tandis que le ventilateur et commutateurs (# 4) sont en position « on » pour haute température. Le voyant lumineux s'allume.

### **6. Flamme effet :**

Appuyez sur le commutateur d'effet flamme (#6) sur la position « on » pour effet de flamme. Le voyant lumineux s'allume. Cette fonction peut être utilisée sans chaleur ou fan fonctions étant engagé.

### **7. Contrôle de flamme gradateur :**

Positionner le variateur (#7) dans le sens horaire ou antihoraire pour obtenir l'intensité de la flamme désirée. Le variateur seulement peut être utilisé que lorsque le commutateur d'effet flamme est en position « on ».

### **REMARQUE :**

**Fonctions chaleur ne fonctionnera pas à moins que le commutateur de ventilateur (#3) est en position « on ».**



## INSTRUCTIONS D'ENTRETIEN



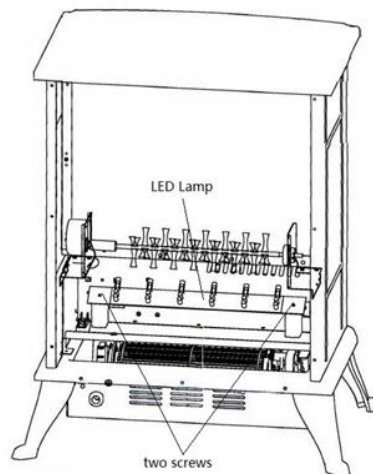
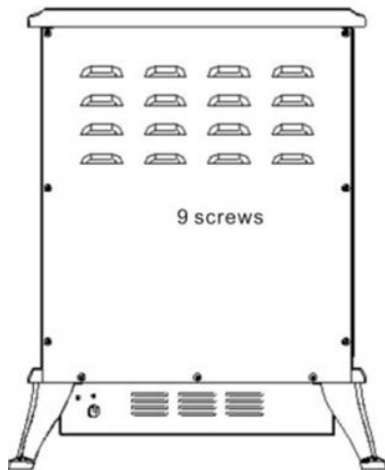
**AVERTISSEMENT : Débrancher l'alimentation et laissez l'appareil refroidir complètement avant tout entretien ou nettoyage pour réduire les risques d'incendie, de choc électrique ou de blessure.**

### REPLACEMENT DES AMPOULES D'ÉCLAIRAGE

**ATTENTION : même si le verre est en verre de sécurité il peut se casser si cogné, frappé ou supprimée.**

**Les ampoules montées sur ce radiateur sont LED FP202SP / X3X-304.**

1. Débranchez l'appareil.
2. Si le poêle fonctionne, laissez l'appareil refroidir au moins 1 heure.
3. Desserrez et retirez les 9 vis qui maintiennent le panneau arrière du poêle sur le corps principal du poêle.
4. Retirez les ampoules LED et remplacez par FP202SP / X3X-304.
5. Placez le panneau d'accès arrière en place et serrez les vis (ne pas trop serrer).



**AVERTISSEMENT: Les ampoules montées sur ce réchauffeur sont des ampoules LED FP202SP / X3X-304. L'utilisation d'un autre type d'ampoule peut entraîner un incendie entraînant des dommages matériels et des blessures corporelles.**

## VERRE INFORMATIONS

1. En aucun cas ce produit doit être utilisé avec verre manquante ou cassée.
2. Ne pas frapper ou claquer le verre.
3. Ne pas utiliser de nettoyeurs abrasifs pour nettoyer le verre.
4. Remplacement verre est disponible auprès du fabricant et de remplacement doit être effectué par un technicien qualifié.



**ATTENTION : Attendre que l'appareil refroidisse complètement avant d'effectuer tout nettoyage.**

### NETTOYAGE

Pour nettoyer l'appareil, tout d'abord désactiver les contrôles sur l'appareil et débranchez l'appareil de prise de courant.

Pour nettoyer la porte vitrée : enlever la poussière avec un chiffon propre sec ou de retirer le doigt imprime et autres marques verre propre avec chiffon propre et humide. Ne pas utiliser de nettoyeurs abrasifs ou pulvériser des liquides sur les surfaces vitrées.

Métaux et pièces peintes doivent être nettoyés avec un chiffon propre et humide. Ne pas utiliser de nettoyeurs abrasifs ou pulvériser des liquides sur cette surface.

### DEPANNAGE

Si le radiateur ne fonctionne pas, veuillez vérifier les points suivants avant d'envisager une réparation du service :

1. Vérifier si l'électricité pour le fusible principal ne fonctionne pas.
2. Vérifiez si le cordon d'alimentation est branché dans une prise électrique, sinon, branchez.
3. Assurez-vous appuyez sur le bouton d'alimentation sur le devant de l'appareil « sur »
4. Si le bouton d'alimentation sur le devant de l'appareil de chauffage est rouge mais le chauffage ne fonctionne pas, alors la sécurité surchauffe fonction peut avoir été déclenché. Essayez d'appuyer sur le bouton d'alimentation. Si l'appareil ne s'allume pas, dégager tout blocage de l'avant et l'arrière de l'appareil de chauffage qui peut avoir causé une surchauffe interne. Laissez refroidir environ 10 minutes et puis appuyez de nouveau sur le bouton d'alimentation

Remarque : Le chauffage ne pouvant pas se trouver si le thermostat est réglé plus bas que la température de la pièce. Pour commencer l'opération, augmenter la température du thermostat pour un réglage de chaleur plus élevé.

# **GARANTIE DU POÊLE ÉLECTRIQUE PORTABLE**

## **GARANTIE LIMITÉE:**

Une garantie limitée est remise à l'acheteur original de ce poêle et le couvre contre le dysfonctionnement lié aux défauts de fabrication pendant une période d'un (1) an à compter de la date d'achat du produit.

## **PROCÉDURE DE REVENDICATION:**

- **NE PAS RENVOYER LE PRODUIT À L'ENDROIT D'ACHAT**
- Contactez notre Service Client au 1-800-776-9425. Se munir du numéro du modèle, du numéro de série et de la date d'achat.
- Ils vous fourniront de plus amples informations, concernant par exemple le remplacement de pièces, la réparation ou le remplacement du poêle si nécessaire.

**APPELEZ LE 1-800-776-9425 (9h00-18h00 LUN.-VEN.)  
ou ENVOYEZ UN EMAIL À [info@worldmkting.com](mailto:info@worldmkting.com)**

## **DEVOIRS DU PROPRIÉTAIRE:**

Cet appareil de chauffage doit fonctionner en accord avec les instructions fournies avec le poêle. Cette garantie ne doit pas dissuader le propriétaire d'un entretien correct du poêle en accord avec les instructions écrites fournies avec ce poêle. Une facture de paiement, un chèque annulé ou un reçu de paiement doivent être conservés afin de pouvoir vérifier la date d'achat et établir une période de garantie. Le carton original doit être conservé en cas de retour d'article dans le cadre de la garantie.

## **CE QUI N'EST PAS COUVERT:**

1. Dommages causés par une mauvaise utilisation ou une utilisation contraire au manuel de l'utilisateur et aux consignes de sécurité.
2. Dommage causés par un manque d'entretien.
3. Réparation effectuée par une personne non-compétente.
4. Dommage causé par le branchement sur un mauvais voltage.
5. Dommage causé par une utilisation en extérieur.

## **RESTRICTIONS:**

Cette garantie n'implique ni ne suppose aucune responsabilité pour les dommages collatéraux pouvant résulter de l'utilisation, de la mauvaise utilisation, ou du manque d'entretien régulier de cet appareil de chauffage. Un frais d'entretien ainsi que le coût des pièces peuvent être facturés pour les défauts de fonctionnement de l'appareil résultant du manque d'entretien. Cette garantie ne couvre pas les revendications, qui n'incluent pas une qualité de travail défectueuse ni les matériaux. LE REFUS D'ENTRETIEN GÉNÉRAL (NETTOYAGE INCLUS) ANNULERA LA GARANTIE.

CETTE GARANTIE LIMITÉE EST ACCORDÉE À L'ACHETEUR EN GUISE DE TOUTE AUTRE GARANTIE, EXPRIMÉE OU IMPLICITE, INCLUANT MAIS NON-LIMITÉES À LA GARANTIE DE CONFORMITÉ, D'UTILISATION, D'APTITUDE À UN USAGE PARTICULIER ET DE NON-CONTREFAÇON. LA SOLUTION FOURNIE PAR CETTE GARANTIE EST EXCLUSIVE ET EST CONFÉRÉE EN GUISE DE TOUT AUTRE SOLUTION. EN AUCUN CAS LE MONDE DU MARKETING D'AMÉRIQUE NE SERA RESPONSABLE DES DOMMAGES CIRCONSTANCIELS OU COLLATÉRAUX.

Certains états n'autorisent aucune limitation quant à la durée d'une garantie implicite. Dans ce cas, la limitation ci-dessus ne s'appliquera pas. Certains états n'autorisent pas l'exclusion ou la limitation de dommages circonstanciels ou collatéraux. Dans ce cas, l'exclusion ou la limitation ci-dessus ne s'appliquera pas.

**Pour information, attachez vos recus d'achat à ce manuel et annotez les informations suivantes**

**DATE D'ACHAT:** \_\_\_\_\_

**LIEU D'ACHAT:** \_\_\_\_\_

**NUMÉRO DE SÉRIE:** \_\_\_\_\_

**NUMÉRO DU MODÈLE:** \_\_\_\_\_