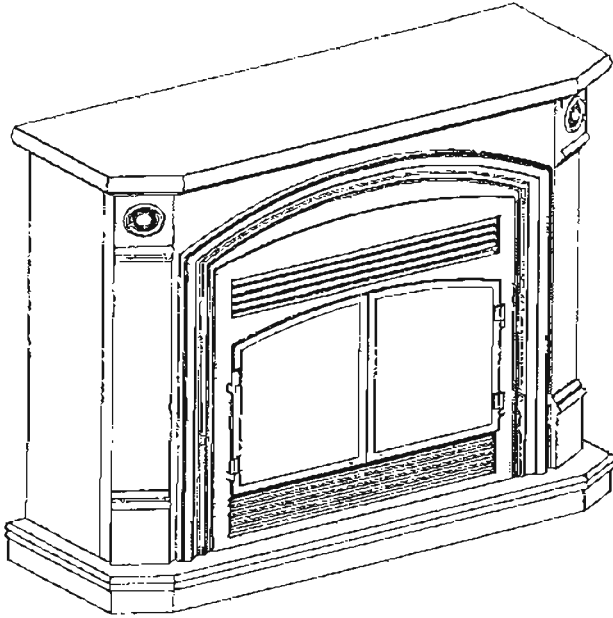


Kozy-World®



EF8035R SHOWN

EF8035R

EF6435R

EF6425R

EF6524R

EF8032R

EFC6436R

Freestanding
Electric Fireplace

Installation Instructions and Owner's Manual

WARNING! IF THE INFORMATION IN THIS MANUAL IS NOT FOLLOWED EXACTLY, A FIRE MAY RESULT CAUSING PROPERTY, PERSONAL INJURY OR LOSS OF LIFE.



FOR YOUR SAFETY

DO NOT STORE
OR USE GASOLINE OR OTHER
FLAMMABLE VAPORS OR LIQUIDS
IN THE VICINITY OF THIS OR ANY
OTHER APPLIANCE

ANSI/UL1278. MOVABLE AND WALL-OR CEILING HUNG ELECTRIC ROOM HEATERS

INSTALLER: DO NOT DISCARD THIS MANUAL-LEAVE FOR HOME OWNER

TABLE OF CONTENTS

PLEASE READ THE INSTALLATION & OPERATION INSTRUCTIONS
BEFORE USING THIS APPLIANCE

IMPORTANT: Read all instructions and warnings carefully before starting installation. Failure to follow these instructions may result in a possible electric shock, fire hazard and will void the warranty.

Important Instructions	2
Locating Your Electric Fireplace.....	3
Clearance To Combustibles.....	3
Electrical Connections.....	3
Electrical Specifications.....	3
Service Instructions	4
Replacing Light Bulbs.....	4
Maintenance of Motors.....	4
Glass Information.....	4
Electrical Wiring Diagram.....	5.6
Operating Instructions	7
Specification	8
Replacement Parts list	9~20

IMPORTANT INSTRUCTIONS

When using electrical appliances, basic precautions should always be followed to reduce the risk of fire, electric shock, and injury to persons, including the following:

1. Read all instructions before using this heater.
2. This appliance is hot when in use. To avoid burns, do not come in contact with heater. Keep combustible materials, such as furniture, pillows, bedding, papers, clothes, and curtains at least 3 feet (1m.) from the front of the heater, and keep them away from the sides and rear.
3. Extreme caution is necessary when any heater is used by or near children or invalids and whenever the heater is left operating and unattended.
4. Always unplug heater when not in use.
5. Do not operate any heater with a damaged cord or plug or after the heater malfunctions, has been dropped or damaged in any manner.
6. Any repairs to this appliance should be carried out by a qualified service person.
7. Under no circumstances should this electric fireplace be modified. Parts having to be removed for servicing must be replaced prior to operating this electric fireplace again.
8. Do not use outdoors.
9. This heater is not intended for use in bathrooms, laundry areas or similar indoor locations. Never use this appliance near a bathtub or other water container.
10. Do not run cord under carpeting. Do not cover cord with throw rugs, runners or similar coverings. Arrange cord away from traffic areas and where it will not be tripped over.
11. To disconnect heater, turn controls to OFF, then remove plug from outlet.
12. Connect to properly grounded outlets only.
13. When this appliance is installed, it must be electrically grounded in accordance with local codes with the current CSA C22.1 Canadian local codes for USA installations. Follow local codes and National Electrical Code, ANSI/NFPA NO.70 and Canadian Cord: C 22.2 NO.0.
14. Do not insert or allow foreign objects to enter any ventilation or exhaust opening as this may cause electric shock, fire or damage to the heater.
15. To prevent a possible fire, do not block air intakes or exhaust in any manner. Do not use on soft surfaces, such as a bed, where openings may be come blocked.
16. This heater gets hot and it contains internal parts that sparks and arcs. Do not use it in areas where gasoline, paint, or flammable liquids are used or stored.
17. Use this heater only as described in this manual. Other uses not recommended by the manufacturer may cause fire, electric shock, or injury.
18. Avoid the use of an extension cord because it may overheat and cause a risk of fire. However if you must use an extension cord, the cord shall be No. 14AWG minimum size and rated not less than 1900 watt. The extension cord must be a three wire cord with grounding type plug and cord connector.
19. This electric fireplace heater should not be used as a drying rack for clothing. Also, do not hang Christmas stockings or decorations on or near it.
20. When high temperature is caused by the matter that fireplace s outlet being covered, or other reasons, the thermal switch will cut off the main circuit and stop heating. At this point, the main switch shall be adjusted to "OFF" position, then remove the plug from outlet. Check the fireplace and eliminate matters that may cause internal high temperature. Make sure you have gotten rid of any other probable causes, then re-plug and turn on the fireplace again. Leave more than 8 minutes interval between power supply unplugging and re-plugging.

21. SAVE THESE INSTRUCTIONS.

LOCATING YOUR ELECTRIC FIREPLACE

Your new freestanding electric fireplace may be installed virtually anywhere in your home. However when choosing a location for your new electric fireplace, ensure that the general instructions are followed. For best effect results, install the electric fireplace out of direct sunlight.

CLEARANCE TO COMBUSTIBLES

This fireplace is a zero-clearance design.

The fireplace can set flush (0mm,0inches)

to combustibles on floor,wall and top.

ELECTRICAL CONNECTION

A 15 AMP, 120 Volt, 60Hz circuit with a properly grounded outlet is required. Preferably, the fireplace will be on a dedicated circuit. Other appliances on the same circuit may cause the circuit breaker to trip or the fuse to blow when the heater is on operation. The unit comes standard with a 6' (1828mm) long three wire cord exiting from the rear of the fireplace. Plan the installation to avoid the use of an extension cord. If an extension cord must be used, it must be a minimum 14 AWG three wire with grounding type plug connector and rated no less than 1900 Watts. The cord shall not be more than 20 feet in length.



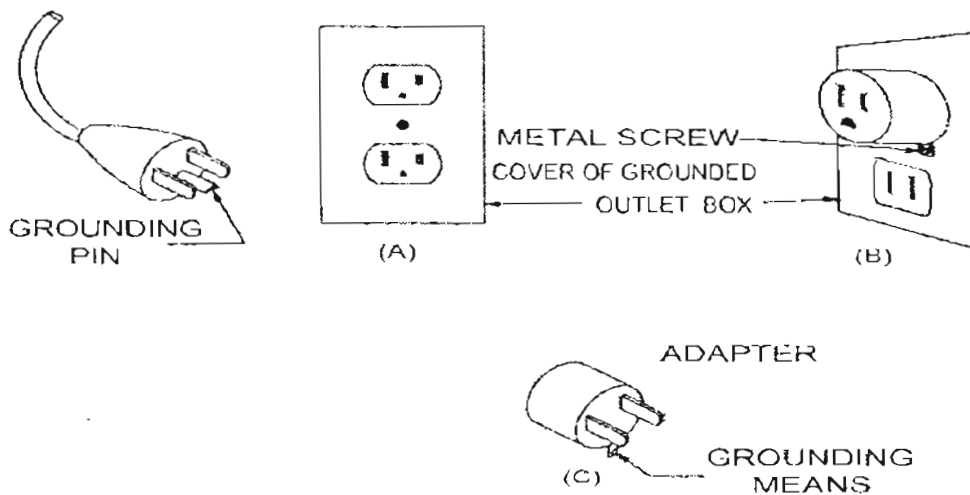
WARNING: Electrical outlet wiring must comply with local building codes and all other applicable regulations to reduce the risk of fire, electrical shock and injury.



WARNING: Do not use this fireplace if any part of it has been under water. Immediately call a qualified service technician to inspect the fireplace and replace any part of the electrical system if necessary.

ELECTRICAL SPECIFICATIONS

Voltage:	120 VAC, 60 Hz
Total Amps:	11.5 Amps
Total Watts:	1380 Watts
Heater Rating:	1200 Watts



(Adaptor NOT permitted in Canada)
Under C22.2 NO. 0 standard

MAINTENANCE OF MOTORS

The motors used on the fan and flame generator assembly are prelubricated for extended bearing life and require no further lubrication. However, periodic cleaning/vacuuming of the fan/heater unit is recommended.



WARNING: Make sure that the power is turned off before proceeding.

GLASS INFORMATION

1. Do not use fireplace if glass is missing or broken.
2. Do not strike or slam the glass.
3. Do not use abrasive cleaners to clean the glass.
4. Replacement glass is available from the manufacturer and replacement should be carried out by a qualified service technician.

SERVICE INSTRUCTIONS



WARNING: Disconnect power before attempting any maintenance or cleaning to reduce the risk of fire, electrical shock or personal injury.

REPLACING LIGHT BULBS

This fireplace uses clear 120 Volt, 60 Watt, E-12 socket base light bulbs (small base, chandelier candle type). The 60 Watt bulbs are located under the log set/ember bed. For convenience, if one of the bulbs burns out, it may be a good idea to replace all of the light bulbs.

1. Turn off power to the unit by unplugging the power cord.
2. Let fireplace cool if it has been operating.
3. Remove glass panel by Pulling upward slightly, and then pull out.

4. Remove the screws near the front that secure the log set/ember bed in position.
5. Remove log set / ember bed and grate assembly.
6. Examine the bulb(s) to determine which bulbs need to be replaced.
7. While holding the socket, unscrew defective bulb(s) counterclockwise.
8. Install the new light bulb(s) by holding the socket and screwing clockwise.
9. Reinstall the log set/ember bed, grate assembly and glass panel by following the above procedures in reverse order.



WARNING: Do not exceed 60 Watts per bulb. The use of higher rated bulbs may result in a fire causing property damage and personal injury.

ELECTRICAL WIRING DIAGRAM

(EF6435R & EFC6436R & EF6425R & EF6524R Series)

Any electrical repairs or rewiring of this unit should be carried out by a licensed electrician in accordance with national and local codes.

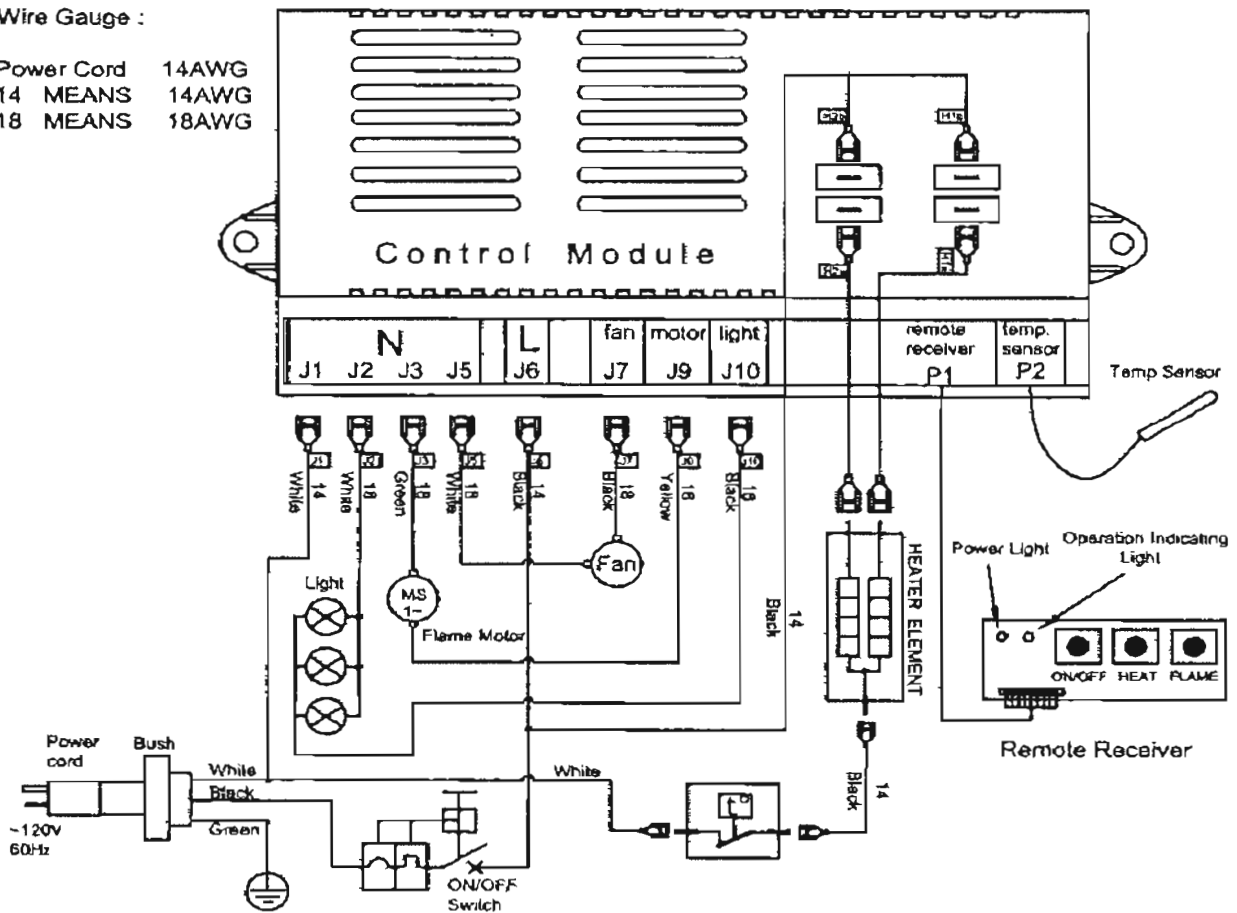


WARNING: If repairing or replacing any electrical component or wiring, the original wire routing, color coding and securing location must be followed.

Electrical Wiring Diagram

Wire Gauge :

Power Cord 14AWG
 14 MEANS 14AWG
 18 MEANS 18AWG



If any of the original wire as supplied with the appliance must be replaced , it must be replaced with a wire of at least a 105 centigrade temperature rating .

ELECTRICAL WIRING DIAGRAM

(EF8035R & EF8032R Series)

Any electrical repairs or rewiring of this unit should be carried out by a licensed electrician in accordance with national and local codes.

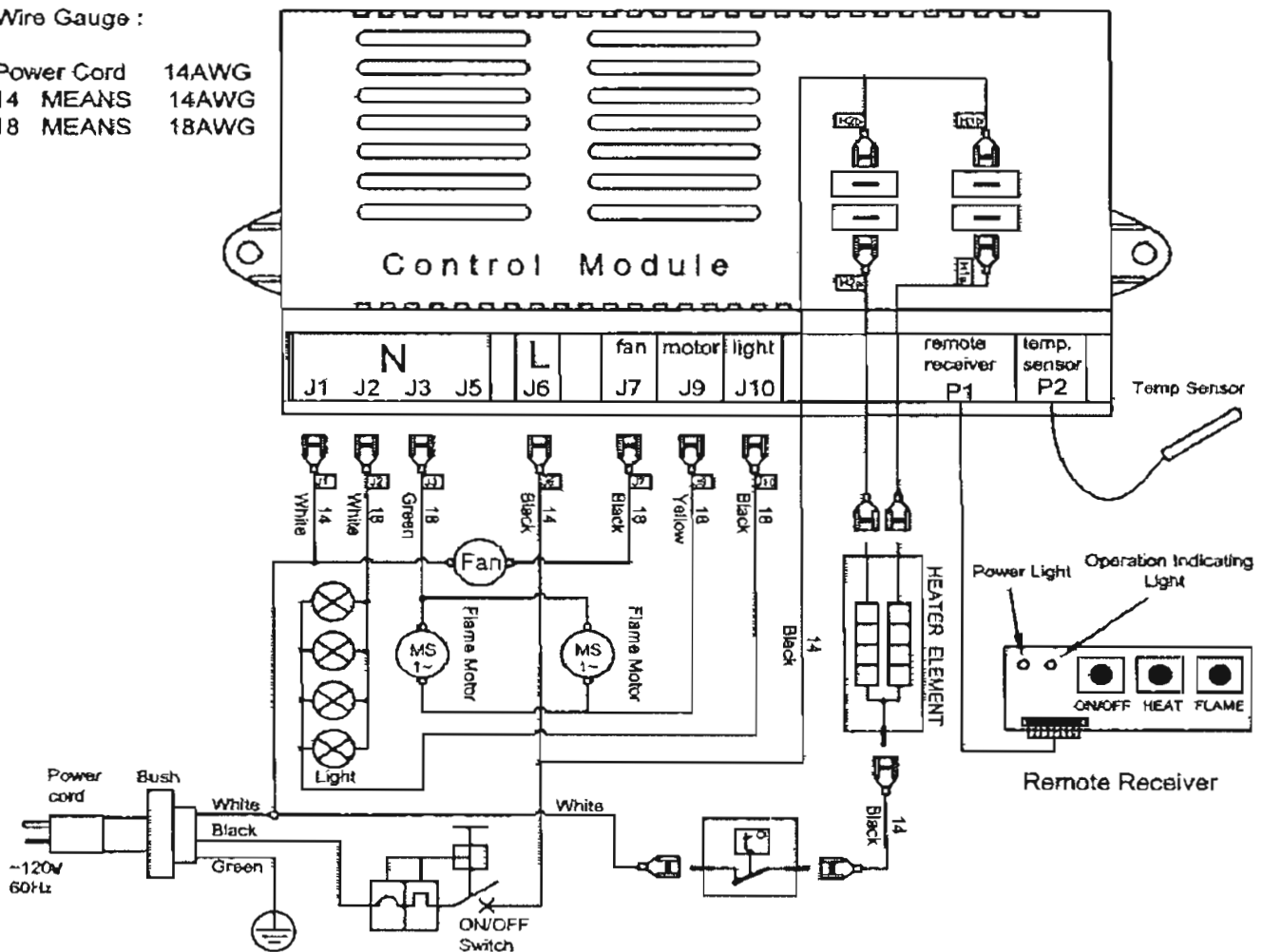


WARNING: If repairing or replacing any electrical component or wiring, the original wire routing, color coding and securing location must be followed.

Electrical Wiring Diagram

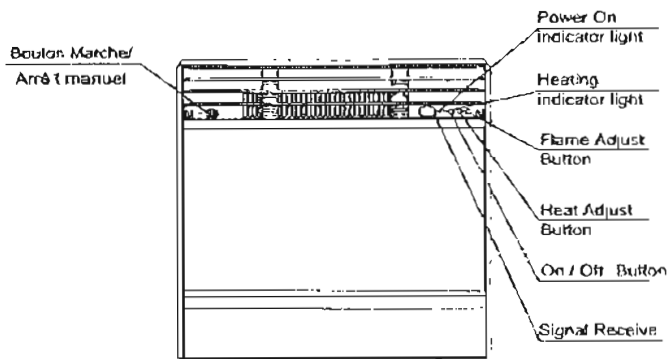
Wire Gauge :

Power Cord 14AWG
 14 MEANS 14AWG
 18 MEANS 18AWG

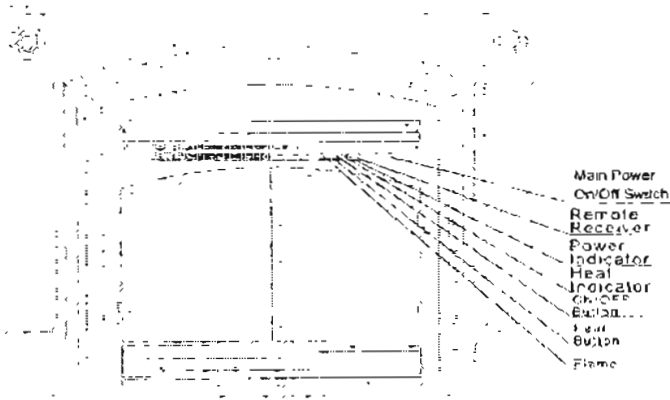


If any of the original wire as supplied with the appliance must be replaced , it must be replaced with a wire of at least a 105 centigrade temperature rating .

Operating Instructions



Heater Front View
(SFE24 Series)



Heater Front View
(SFE32 Series)

Before programming your transmitter you must first insert two "AAA" batteries
Make sure the main power on/off switch is "ON" position.

Remote control operation

1. The ON/OFF button:

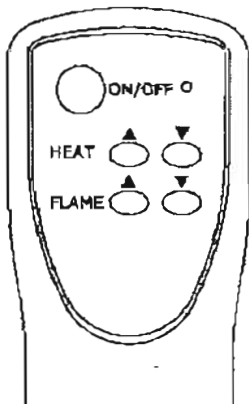
*Note: When Fireplace is first operated, the default setting will be: brightest flame, and full heating. To turn on heater, press the "ON/OFF" button. To turn off heater, press the "ON/OFF" button again.

2. Flame brightness setting:

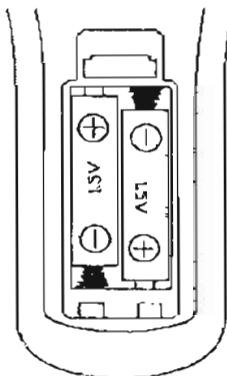
There are three settings for flame brightness: "1", "2" and "3 (OFF)". Press ▼ button to decrease the flame brightness, and ▲ button to increase the flame brightness.

3. Heating level setting:

There are three settings for heating level: "HI", "LOW", and "OFF". Press ▼ button to decrease the heating level and ▲ button to increase the heating level. If set on "HI", two heating elements will be approximately 90°F; set on "LOW", the set room temperature will be approximately 70°F.



Remote Control Front



Remote Control Back

Manual Operation (without handheld remote)

Press "ON/OFF" button to turn on or off the fireplace.

Press "HEAT Adjust" button to control heater.

Press "FLAME" button to control the Flame brightness.

SPECIFICATIONS:

Model: EF6435R

Voltage: 120V/60Hz Total Amps: 11.5A
Total Watts: 1380W Heating Ratings: 1200W
Dimensions, Inches (H x W X D)
Fireplace 37-7/8"x46-1/2"x15"
Carton 41-3/4"x49-1/4"x17-3/4"
Weight, Pounds
Fireplace 124
Shipping 146

Model: EF8035R

Voltage: 120V/60Hz Total Amps: 11.5A
Total Watts: 1380W Heating Ratings: 1200W
Dimensions, Inches (H x W X D)
Fireplace 46-1/2"x54"x18-1/2"
Carton 45-7/10"x57-3/5"x20-7/10"
Weight, Pounds
Fireplace 186
Shipping 220

Model: EF6425R

Voltage: 120V/60Hz Total Amps: 11.5A
Total Watts: 1380W Heating Ratings: 1200W
Dimensions, Inches (H x W X D)
Fireplace 37-3/4"x42-1/2"x15"
Carton 41-3/8"x46"x19"
Weight, Pounds
Fireplace 123
Shipping 156

Model: EFC6436R

Voltage: 120V/60Hz Total Amps: 11.5A
Total Watts: 1380W Heating Ratings: 1200W
Dimensions, Inches (H x W X D)
Fireplace 38-3/8"x46-7/8"x15-1/8"
Carton 41-3/4"x51-7/8"x19-1/2"
Weight, Pounds
Fireplace 112
Shipping 134

Model: EF6524R

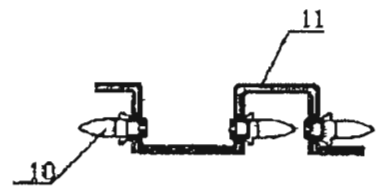
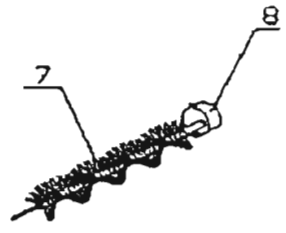
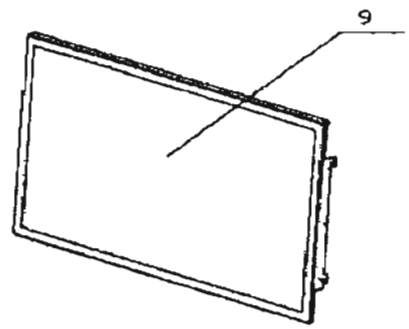
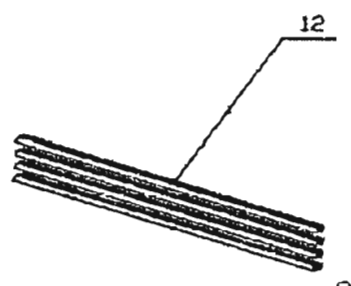
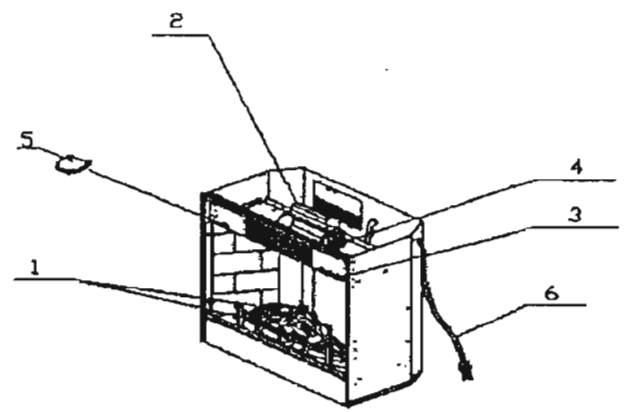
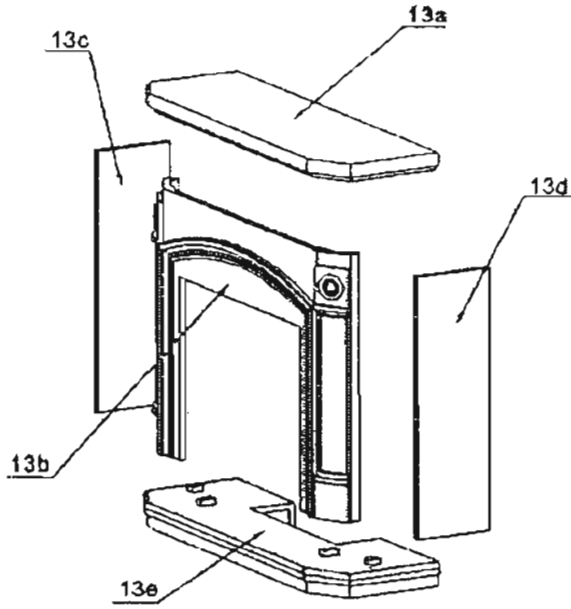
Voltage: 120V/60Hz Total Amps: 11.5A
Total Watts: 1380W Heating Ratings: 1200W
Dimensions, Inches (H x W X D)
Fireplace 37"x42-1/2"x15"
Carton 40-1/2"x46"x19"
Weight, Pounds
Fireplace 118
Shipping 150

Model: EF8032R

Voltage: 120V/60Hz Total Amps: 11.5A
Total Watts: 1380W Heating Ratings: 1200W
Dimensions, Inches (H x W X D)
Fireplace 46-1/2"x54"x18-1/2"
Carton 45-7/10"x57-3/5"x20-7/10"
Weight, Pounds
Fireplace 186
Shipping 220

Replacement Parts

(EF6435R Series)



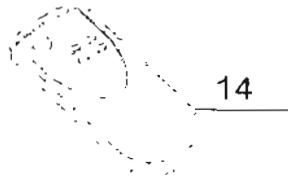
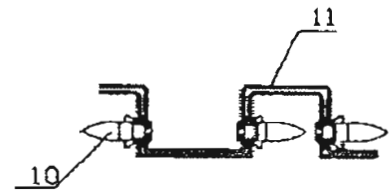
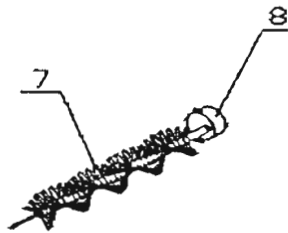
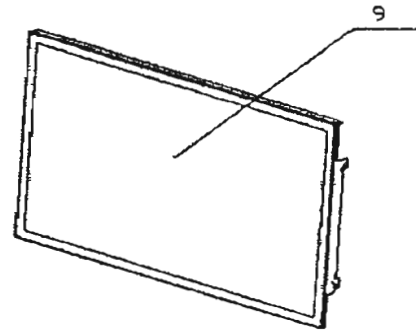
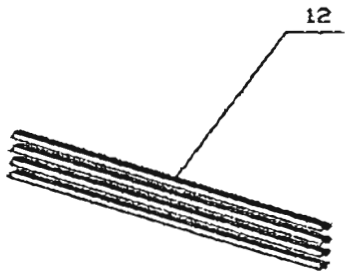
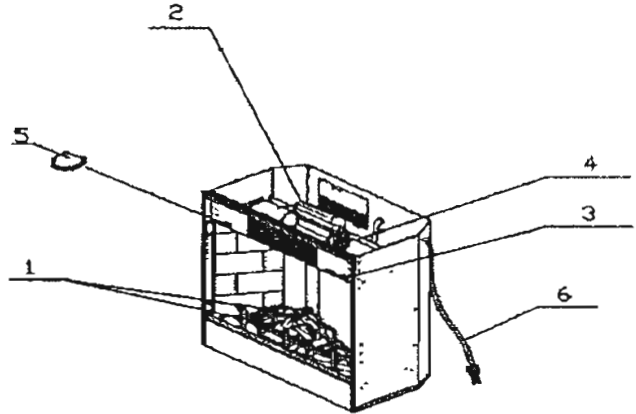
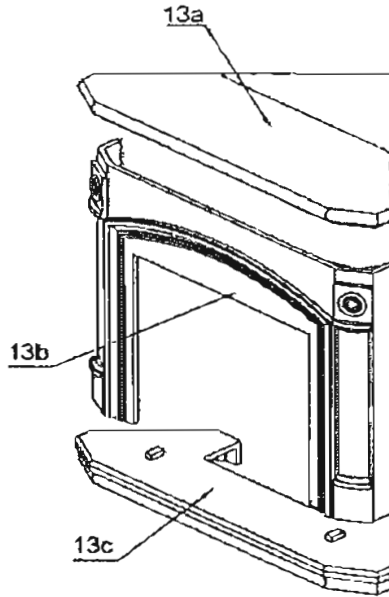
Replacement Parts List

(EF6435R Series)

Item	Part Description	Part Number
		EF6435R
1	Log Assembly	FE23A402
		FE24M403
		FE24M404
		FE24M405
2	Control Box	ECRMB3
3	Receiver	ECRRA1
4	Fan Heater Assembly	GL45.L
5	Switch	FE23A305
6	Power Plug	NFHL008-A
7	Firewood Glisten	FE33A205-01
8	AC Motor	VL051-01
9	Viewing Door	FE24M140B
10	Light Bulb	VL055-01
11	Light Bulb Socket	FE24M306
12	Louver Assembly	FE24M104
13a	Mantel Top	FB28D401A0-X *
13b	Front Panel	FB28D402A0-X *
13c	Mantel Side Left	FB28D403A0-X *
13d	Mantel Side Right	FB28D404A0-X *
13e	Mantel Base	FB28D405A0-X *
14	Remote Control	ECRTA1

Replacement Parts

(EFC6436R Series)



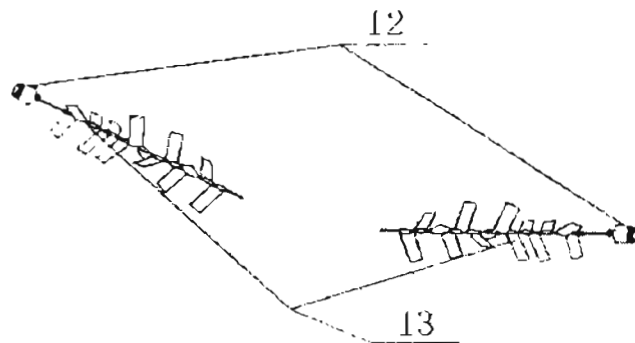
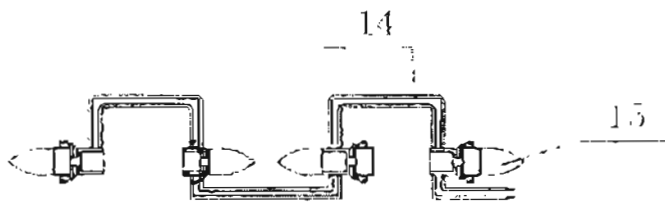
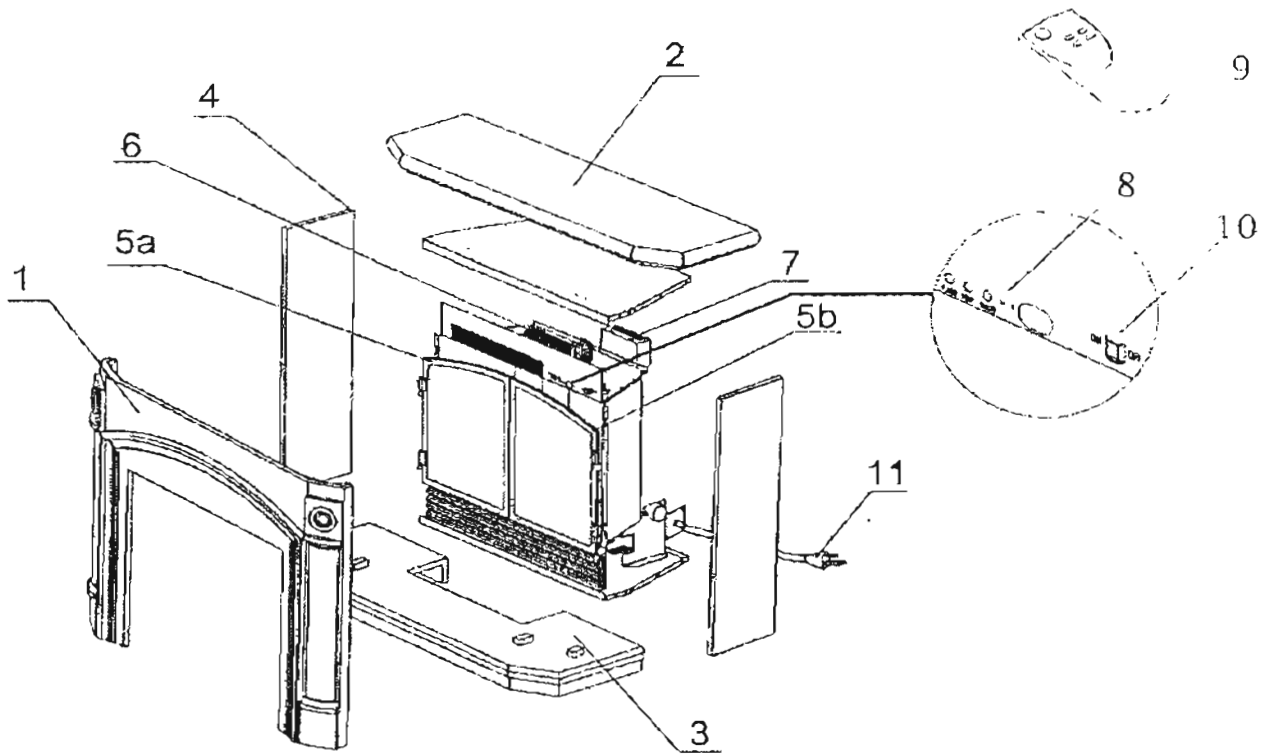
Replacement Parts List

(EFC6436R Series)

Item	Part Description	Part Number
		EFC6436R
1	Log Assembly	FE23A402
		FE24M403
		FE24M404
		FE24M405
2	Control Box	ECRMB3
3	Receiver	ECRRA1
4	Fan Heater Assembly	GL45.L
5	Switch	FE23A305
6	Power Plug	NFHL008-A
7	Firewood Glisten	FE33A205-01
8	AC Motor	VL051-01
9	Viewing Door	FE24M140B
10	Light Bulb	VL055-01
11	Light Bulb Socket	FE24M306
12	Louver Assembly	FE24M104
13a	Mantel Top	FB28D401A0C-X *
13b	Front Panel	FB28D402A0C-X *
13c	Mantel Base	FB28D403A0C-X *
14	Remote Control	ECRTA1

Replacement Parts

(EF8035R Series)



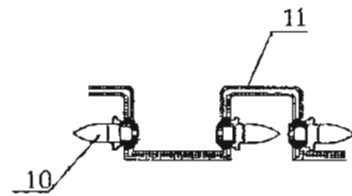
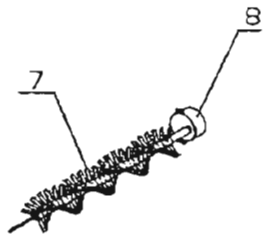
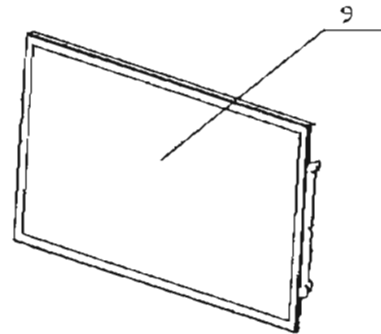
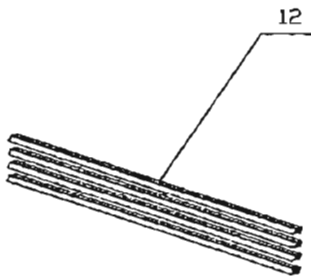
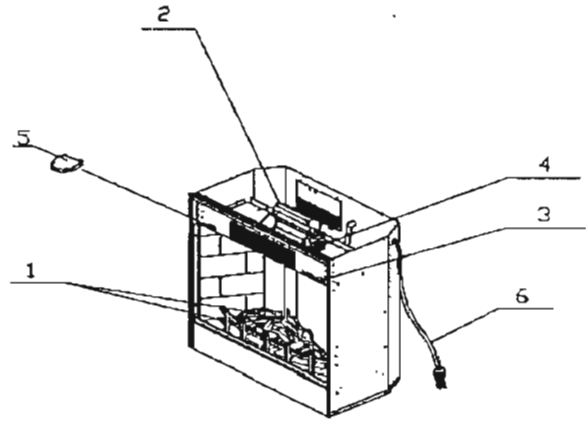
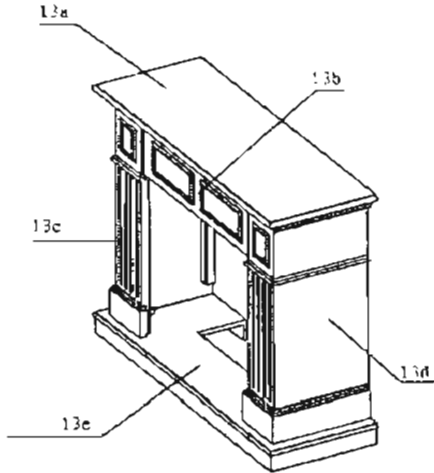
Replacement Parts

(EF8035R Series)

Item	Part Description	Part Number
		EF8035R
1	Mantel Front	FE32RE-502-X*
2	Mantel Top	FE32RE1-501-X*
3	Mantel Base	FE32RE1-505-X*
4	Mantel Side	FE32RE1-503-X*
5a	Door (Left)	FE32A152 L
5b	Door (Right)	FE32A152 R
6	Fan Heater Assembly	GL45.L
7	Control Box	ECRMB3
8	Receiver	ECRRA1
9	Remote control	ECRTA1
10	Over Current Protector	FE23A305
11	Power Cord	NFHL008-A
12	AC Motor CCW/CW	VL051-01(CCW)/VL05101CW
13	Flame Generator	FE33A205-01
14	Light Bulb Socket w/Wiring Assembly	FE23A306
15	Light Bulb	VL055-01

Replacement Parts

(EF6425R & EF6524R Series)



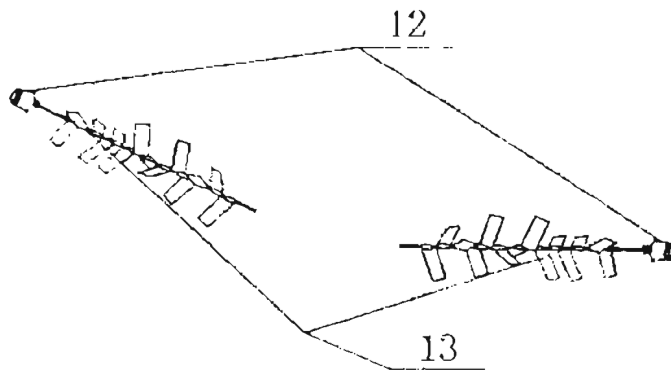
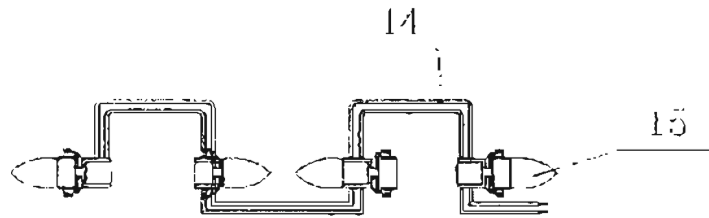
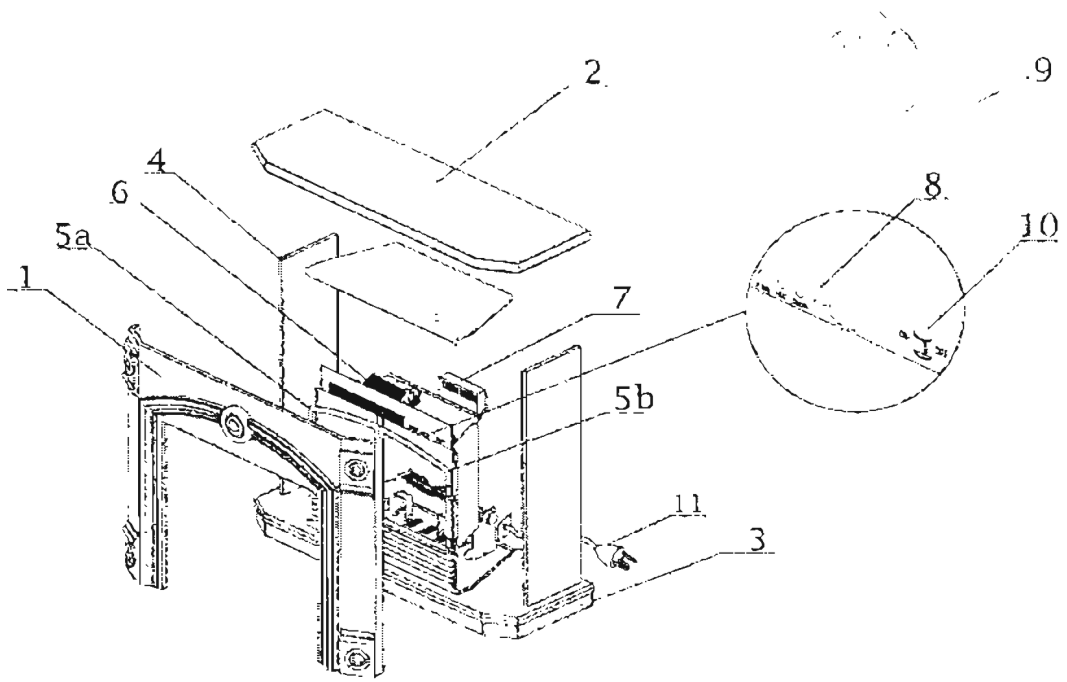
Replacement Parts List

EF6425R & EF6524R

Item	Part Description	Part Number	
		EF6425R	EF6524R
1	Log Assembly	FE23A402	FE23A402
		FE24M403	FE24M403
		FE24M404	FE24M404
		FE24M405	FE24M405
2	Control Box	ECRMB3	ECRMB3
3	Receiver	ECRRA1	ECRRA1
4	Fan Heater Assembly	GL45.L	GL45.L
5	Switch	FE23A305	FE23A305
6	Power Plug	NFHL008-A	NFHL008-A
7	Firewood Glisten	FE33A205-01	FE33A205-01
8	AC Motor	VL051-01	VL051-01
9	Viewing Door	FE24M140B	FE24M140B
10	Light Bulb	VL055-01	VL055-01
11	Light Bulb Socket	FE24M306	FE24M306
12	Louver Assembly	FE24M104	FE24M104
13a	Mantel Base	FE24A501E13	FE24A501E6
13b	Front Panel	FE24A502E13	FE24A502E6
13c	Mantel Side Left	FE24A503E13	FE24A503E6
13d	Mantel Side Right	FE24A504E13	FE24A504E6
13e	Mantel Side Top	FE24A505E13	FE24A505E6
14	Remote Control	ECRTA1	ECRTA1

Replacement Parts

(EF8032R Series)



Replacement Parts

(EF8032R Series)

Item	Part Description	Part Number
		EF8032R
1	Mantel Front	FE32RE-502-X*
2	Mantel Top	FE32RE1-501-X*
3	Mantel Base	FE32RE1-505-X*
4	Mantel Side	FE32RE1-503-X*
5a	Door (Left)	FE32A152 L
5b	Door (Right)	FE32A152 R
6	Fan Heater Assembly	GL45.L
7	Control Box	ECRMB3
8	Receiver	ECRRA1
9	Remote control	ECRTA1
10	Over Current Protector	FE23A305
11	Power Cord	NFHL008-A
12	AC Motor CCW/CW	VL051-01(CCW)/VL05101CW
13	Flame Generator	FE33A205-01
14	Light Bulb Socket w/Wiring Assembly	FE23A306
15	Light Bulb	VL055-01

INSTALLATION INSTRUCTIONS

For CORNER SURROUND AND HEARTH

READ INSTRUCTIONS BEFORE BEGINNING INSTALLATION. Check to see that you have the following. If any part or parts are missing, contact the dealer where you bought the surround and hearth.

TOOLS REQUIRED:

Measuring Tape, Pencil, Level, #2 Phillips Screw Driver, Hammer, Electric Drill, 5/16" Drill Bit, Hand or Electric Saw

INSTALLATION:

1. Surround must be installed flush with wall. Baseboards will prevent proper installation of surround. Baseboards can be altered to fit surround by cutting that part within 34 1/2" distance from the wall corner.
2. Surround must be attached to either a wall stud or wall anchor. Use a tape measure to determine correct height from floor to location of mounting strips. (See Figure 1). Make sure point of the mitered edge of mounting strip touches the corner. Use a level to ensure mounting strips are evenly balanced.

IMPORTANT: Failure to balance mounting strips with a level could result in uneven surfaces on fully assembled surround.

3. Fasten mounting strip to wall by inserting 2" screws provided along the predrilled holes of mounting strip. If predrilled holes of mounting strip do not line up with wall studs, drill new holes where wall studs are or attach to wall with wall anchors. (See Step 4 below.)
4. To use wall anchors, drill holes at marked location using 5/16" drill bit. Fold wall anchor (see Figure 2) and insert (wings first) into hole. Tap anchor flush into wall. For thin walls, insert red key into wall anchor and push to "pop" open anchor wings (see Figure 3).
5. Repeat steps above to attach other mounting strips to wall. Make sure mitered edges fit together to form a clean joint in the corner of the wall.

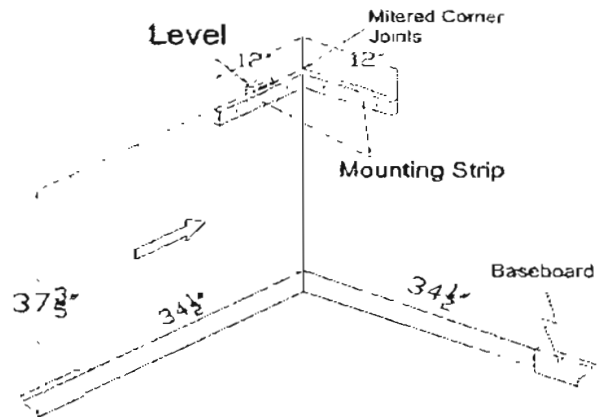


Figure 1

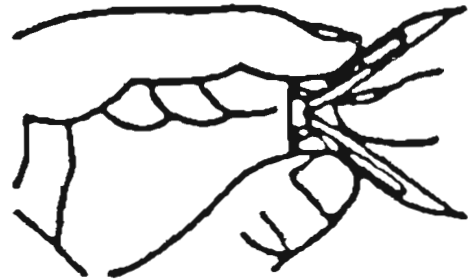


Figure 2

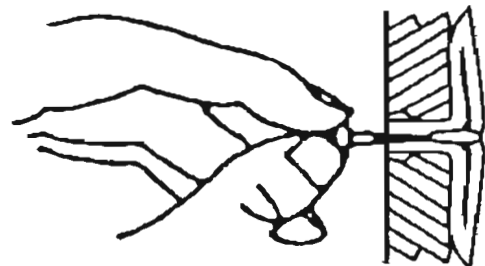


Figure 3

6. Place the assembled fireplace on the middle where it is 27" from the corner and form a 45 degree angle to each side wall. Move the assembled surround to the corner, with side panels close to side walls. Move the fireplace to where it can properly attach the surround.
7. Turn up the back of mantel top, the special spring will lock the rear mantel top in position, then use 14 screws to secure bracket as show in Figure 5 make sure the front and rear mantel top are in the same level.
8. Move the surround back. Set surround top on top of mounting strips and mantel front. After properly installing the top, attach surround top to mounting strip using finishing nails.
9. Push the base to the bottom of surround, close to the right and left sides.
- 10 Install fireplace per Homeowner's Installation Manual

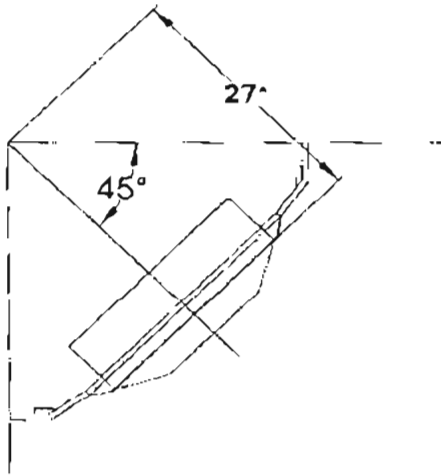


Figure 4

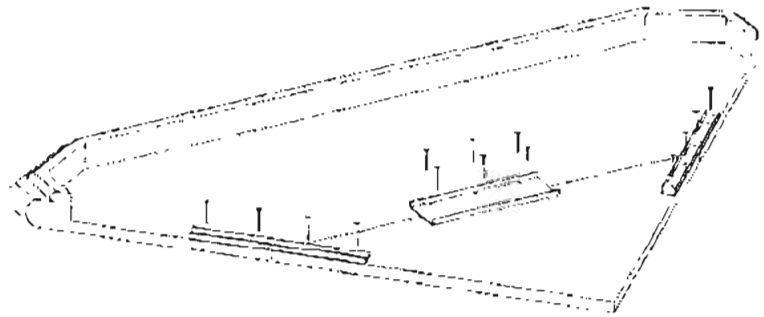


Figure 5

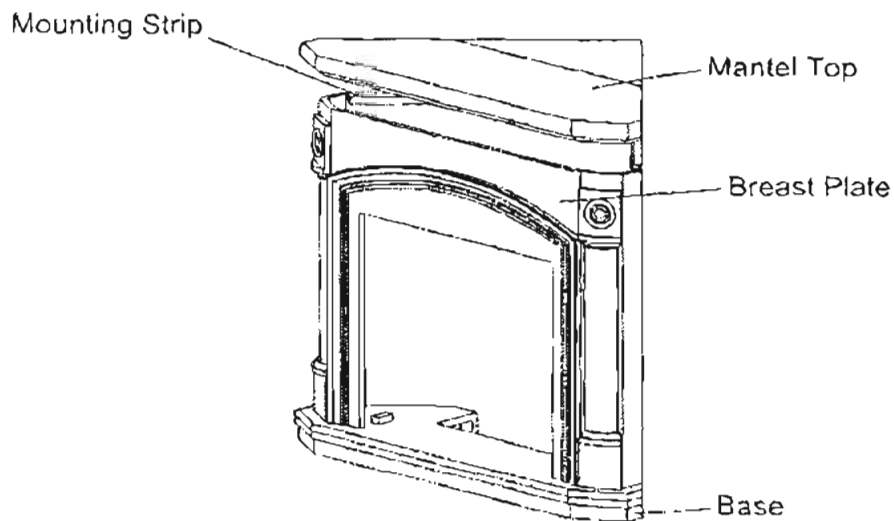


Figure 6