

Kozy-World®

**EF5524
Freestanding
Electric Fireplace**

Installation Instructions and Homeowner's Manual

WARNING! IF THE INFORMATION IN THIS MANUAL IS NOT FOLLOWED EXACTLY, A FIRE MAY RESULT CAUSING PROPERTY DAMAGE, PERSONAL INJURY OR LOSS OF LIFE.



Comfort Home Products, Inc.
12256 William Penn Hwy, Ste A
Huntingdon, PA 16652

FOR YOUR SAFETY

**DO NOT STORE
OR USE GASOLINE OR
OTHER FLAMMABLE VAPORS
OR LIQUIDS
IN THE VICINITY OF THIS OR
ANY OTHER APPLIANCE**

**KOZY WORLD PHONE NUMBER: (814) 643-1775
<http://www.worldmktng.com>**

ANSI/UL 1278. MOVABLE AND WALL OR CEILING HUNG ELECTRIC ROOM HEATERS

**INSTALLER: DO NOT DISCARD THIS MANUAL - LEAVE FOR HOME OWNER
CUSTOMER: PLEASE RETAIN THIS MANUAL FOR FUTURE USE**

TABLE OF CONTENTS

PLEASE READ THE INSTALLATION & OPERATIONS INSTRUCTIONS
BEFORE USING THIS APPLIANCE

IMPORTANT: Read all instructions and warnings carefully before starting installation. Failure to follow these instructions may result in a possible electric shock, fire hazard and will void the warranty.

Installation instructions	2
General.....	2
Locating Your Electric Fireplace.....	3
Clearance To Combustibles.....	3
Electrical Connections.....	3
Electrical Specifications.....	3
Parts List.....	4
Assembly Instructions.....	4,5,6
Service Instructions	8
Replacing Light Bulb.....	8
Glass Information.....	8
Maintenance of Motors.....	8
Cleaning Instructions.....	8
Operating Instructions	7
On/Off Switch.....	7
Heater Control.....	7
Instructions for power.....	9
Specifications.....	9

IMPORTANT SAFETY INSTRUCTIONS

PLEASE RETAIN THIS USER'S GUIDE FOR FUTURE REFERENCE

When using electrical appliances, basic precautions should always be followed to reduce the risk of fire, electric shock, and injury to person, including the following:

1. Read all instructions before using this fireplace.
2. This fireplace is hot when in use. To avoid burns, do not let bare skin touch hot surfaces. The grill directly in front of the heater outlet becomes hot during heater operation. Keep combustible materials, such as furniture, pillows, bedding, papers, clothes, and curtains at least 3 feet from the front of the unit.
3. **CAUTION: Extreme caution is necessary when any heater is used by or near children or invalids and whenever the fireplace is left operating and unattended.**
4. **Always unplug fireplace when not in use.**
5. **Do no operate any fireplace with a damaged cord or plug or after the heater has malfunctioned, or if the fireplace has been dropped or damaged in any manner. Take fireplace to authorized service facility for examination, electrical or mechanical adjustment or repair.**
6. Do not use outdoors.
7. This fireplace is not intended for use in bathrooms, laundry areas or similar indoor locations. Never locate fireplace where it may fall into a bathtub or other water container.
8. Do not install the fireplace directly on carpet or a similar surface, which may restrict air circulation beneath the unit.
9. Do not run cord under carpeting. Do not cover cord with throw rugs, runners or the like. Arrange cord away from traffic areas and where it will not be tripped over.
10. To disconnect fireplace, turn controls to the off position and remove plug from outlet.
11. Do not insert or allow foreign objects to enter any ventilation or exhaust opening as this may cause electric shock, fire or damage to the fireplace.
12. To prevent fire, do not block air intakes or exhaust in any manner. Do not use on soft surfaces, such as a bed, where openings may become blocked.
13. **CAUTION:** This appliance gets hot and it contains internal parts that could arc or spark. Do not use it in areas where gasoline, paint, or flammable liquids are used or stored. This electric fireplace should not be used as a drying rack for clothing. Also, do not have Christmas stockings or decorations hung on or near it.
14. Do not modify this fireplace. Use it only as described in this manual. Any other use not recommended by the manufacturer may cause fire, electric shock or injury to persons.
15. Avoid the use of an extension cord because it may overheat and cause a risk of fire. However if you must use an extension cord, the cord shall be NO. 16 AWG minimum size and rated not less than 1875 watts.
16. Do not burn wood or other materials in this fireplace.
17. Do not strike fireplace glass.
18. Always use a certified electrician should new circuits or outlets be required.
19. Always use properly grounded, fused and polarized outlets.
20. Always use ground fault protection where required by electrical code.
21. Always disconnect power before performing any cleaning, maintenance or relocation of the fireplace.
22. When transporting or storing the fireplace and cord, keep in a dry place, free from excessive vibration and store so as to avoid damage.
23. **SAVE THESE INSTRUCTIONS.**



WARNING: Procedures and techniques, which, if not carefully followed, will expose the user to the risk of serious injury, illness or death.



WARNING: Procedures and techniques, which, if not carefully followed, will result in damage to the equipment or personal property or may cause personal injury.

WARNING: This is a 1500 watt heater and parts become hot when in use. Be sure to maintain a personal distance and keep any combustible material at least three (3) feet away from the front of the heater. The area directly behind, around and under the heater must be clear and free of any obstructions.

KEEP CHILDREN AND PETS AWAY FROM HEATER AND CONTROLS

LOCATING YOUR ELECTRIC FIREPLACE

Your new freestanding electric fireplace may be installed virtually anywhere in your home. However, when choosing a location for your new electric fireplace, ensure that the general instructions are followed. For best results, install the electric fireplace out of direct sunlight.

CLEARANCE TO COMBUSTIBLES

Back.....4"/0mm
 Sides.....0"/0mm
 Floor.....0"/0mm
 Top.....24"/610mm
 Front.....36"/915mm

ELECTRICAL SPECIFICATIONS

Voltage.....120 VAC/60Hz
 Total Amps.....11.3 Amps
 Total Watts.....1500 Watts
 Heater Ratings.....1400 Watts (+5%, -10%)

ELECTRICAL CONNECTION

A 15 AMP, 120 Volt, 60Hz circuit with a properly grounded outlet is required. Preferably, the heater will be on a dedicated circuit. Other appliances on the same circuit may cause the circuit breaker to trip or the fuse to blow when the heater is in operation. The unit comes standard with a 6' (1828mm) long three wire cord exiting from the rear of the fireplace. Plan the installation to avoid the use of an extension cord. If an extension cord must be used, it must be a minimum 16 AWG three wire with grounding type plug connector and rated no less than 1900 Watts.



WARNING: Electrical outlet wiring must comply with local building codes and all other applicable regulations to reduce the risk of fire, electrical shock and injury.



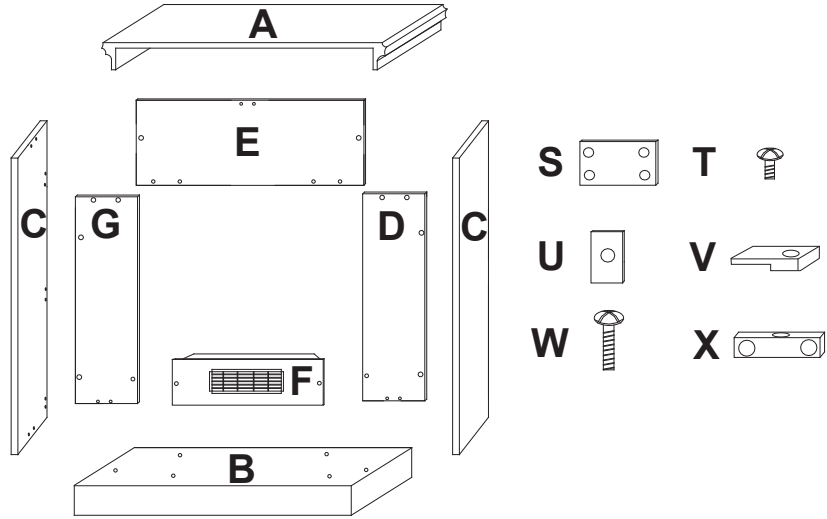
WARNING: Do not use this fireplace if any part of it has been under water. Immediately call a qualified service technician to inspect the fireplace and replace any part of the electrical system if necessary.

ASSEMBLY INSTRUCTIONS

NOTE: A complete electric fireplace heater should consist of two parts, the wooden mantle and the fireplace heater each packed in a separate carton. It is not recommended to use the fireplace heater without the wooden mantle. Unpack the fireplace heater and mantle. Remove all packing materials.

PARTS LIST:

A) Top panel	1
B) Base panel	1
C) Side panel	2
D) Left front panel	1
E) Upper front panel	1
F) Lower front panel	1
G) Right front panel	1
S) Connector	2
T) Short KD screws	3
U) Mounting clips	3
V) Mounting brackets	2
W) KD SCREWS	57
X) Plastic connector	15



WARNING: Make sure the fireplace INSERT controls are in the OFF position and the INSERT is NOT plugged in.

CAUTION: Place a piece of cardboard or protective sheet on the floor in order to avoid scratching the decorative surface of your mantle during assembly.

Please **DO NOT** fully tighten the KD screws until all panels are assembled.

Step 1: Attach 2 CONNECTORS to the LEFT and RIGHT FRONT PANELS with 4 KD SCREWS (2 screws for each side). See Figure A.

Step 2: Attach all PLASTIC CONNECTORS to the PANELS as shown in Figure B (2 screws for each PLASTIC CONNECTOR). See Figure B.

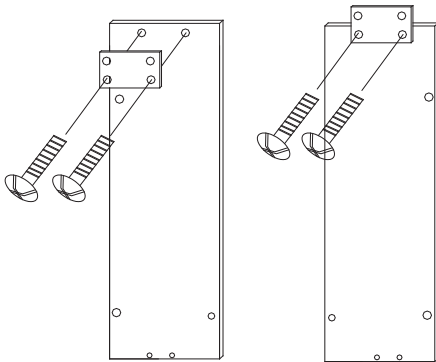


fig. A

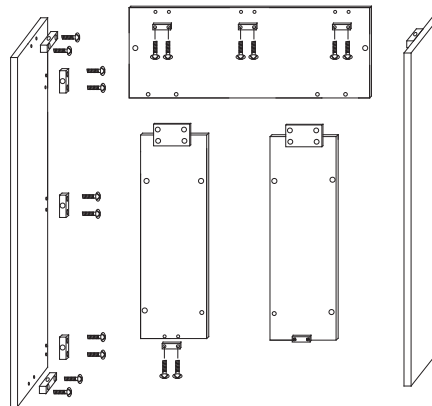


fig. B

Step 3: Attach the SIDE PANEL to the LEFT FRONT PANEL with 2 KD SCREWS. Attach the other SIDE PANEL to the RIGHT FRONT PANEL with 2 KD SCREWS. See Figure C.

Step 4: Attach the LEFT and RIGHT SIDE PANELS to the BASE using 4 KD SCREWS (2 screws for each side). See Figure D.

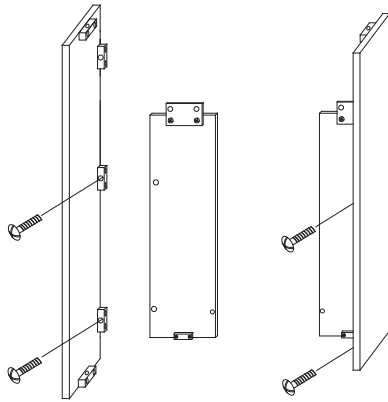


fig. C

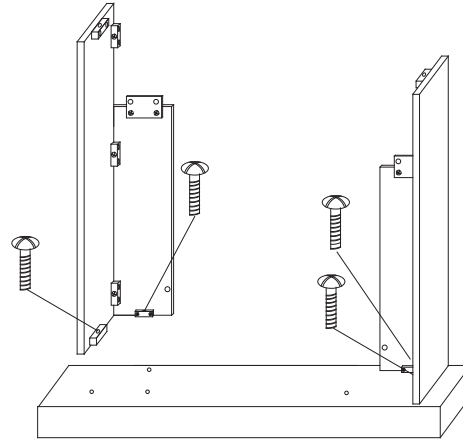


fig. D

Step 5: Place the LOWER FRONT PANEL in between the lower section of 2 FRONT PANELS and attach with 2 KD SCREWS (1 screw for each side). See Figure E.

Step 6: Carefully place the INSERT into the unit opening. The front of INSERT should be flush with the front of the mantle. Once the INSERT is in place, attach 2 MOUNTING BRACKETS with 2 KD SCREWS onto the bottom of the INSERT (1 screw for each bracket). See Figure F.

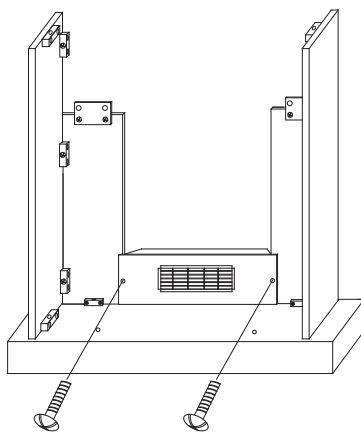


fig. E

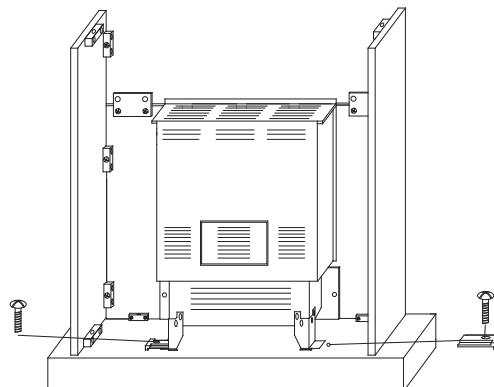


fig. F

Step 7: Attach the UPPER FRONT PANEL in between the upper section of teh 2 FRONT PANELS with 6 KD SCREWS (3 screws for each side). See Figure G.

Step 8: Attach 3 MOUNTING CLIPS onto the top of INSERT and lock in place with 3 SHORT KD SCREWS. See Figure H.

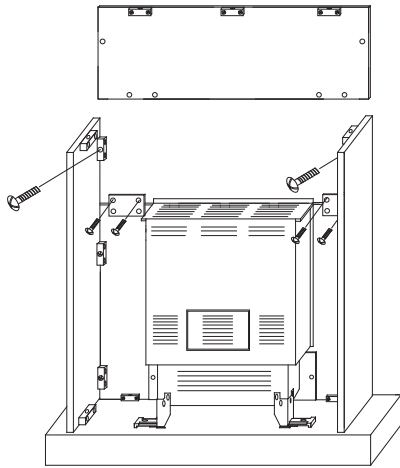


fig. G

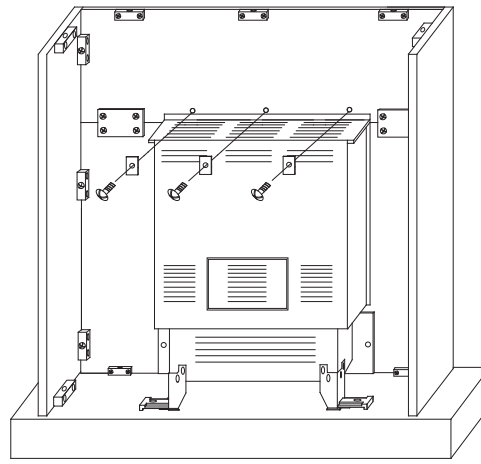


fig. H

Step 9: Install the TOP PANEL to the unit as shown and attach with 5 KD SCREWS. See Figure I.

Step 10: Tighten all KD SCREWS.

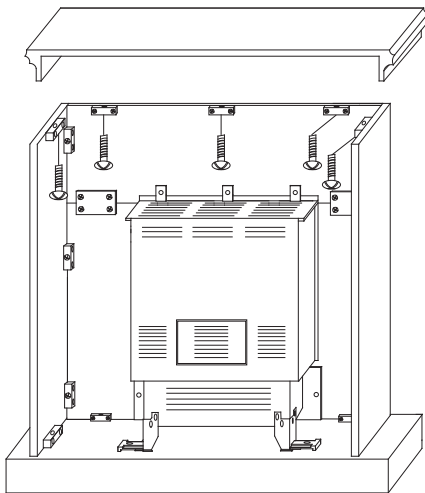


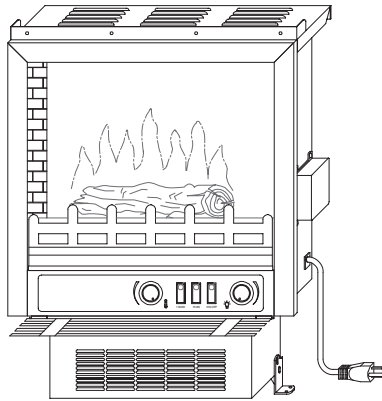
fig. I

Once the fireplace heater insert has been properly installed and connected to a ground electrical outlet, it is ready to operate.

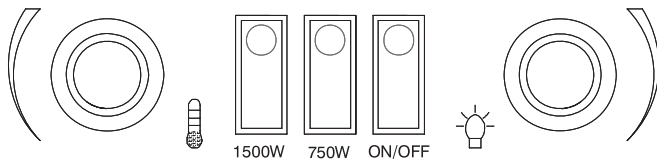
OPERATING INSTRUCTIONS

Note: Ensure the circuit breakers for the power supply are turned on.

The controls are located behind the grill below front glass and can be accessed by pulling the grill up from the top, forward and down.



Lift front grill to access the switches.



1. The round dial on the far left is the thermostat that automatically turns the heaters on and off to maintain a constant temperature. Turn the thermostat dial to the right to increase the desired temperature and the left to lower it. Once the room reaches the desired temperature, turn the thermostat dial counter-clockwise until you hear a click. Leave in this position to maintain the room temperature at its current setting.
2. The switch on the left turns the heater on at 1500 watts. Press this switch while the ON/OFF switch and the 750W switch are in the on position for high heat. The indicator light will turn on.
3. The middle switch turns the heater on at 750 watts. Press this switch while the ON/OFF switch is in the on position for low heat. The indicator light will turn on.
4. The right switch is the main power switch "ON/OFF". Press this button for main power and flame effect. The indicator light will turn on.
5. The round dial on the right adjusts the intensity of the simulated flame effect. Turn this dial until desired flame effect is reached.

SERVICE INSTRUCTIONS



WARNING: Disconnect power before attempting any maintenance or cleaning to reduce the risk of fire, electrical shock or personal injury.



WARNING: Do not exceed 40 Watts per light bulb. Use of a higher rated bulb may result in a fire causing property damage and personal injury.

REPLACING LIGHT BULB

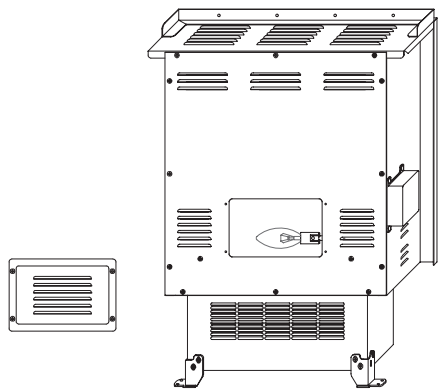
There is one (1) 40W light bulb located under the logset bed. Remove the four (4) screws on the cover located on the back of the fireplace and then remove the rear cover of the unit.



CAUTION: The bulb in your unit can become extremely hot. Allow at least 15 minutes between turning off the unit and removing the light bulb to avoid hot bulb coming in contact with the skin.

To remove bulb: Hold socket and pull the old bulb out.

To replace bulb: Hold socket and push in the new bulb.



MAINTENANCE OF MOTORS

The motors used on both blower fan and flame simulator assembly are prelubricated for the extended warranty of the motor, no further lubrication is required. However, periodic cleaning/vacuuming of the fan/heater unit is recommended.

CAUTION: Even though the glass is safety glass it may break if bumped, struck or dropped. Care must be taken when handling the glass.

GLASS INFORMATION

1. Under no circumstances should this product be operated with missing or broken glass.
2. Do not strike or slam the glass.
3. Do not use abrasive cleaners to clean the glass.



CAUTION: Wait until the unit has completely cooled before attempting any cleaning.

CLEANING

To clean the unit, first turn off controls on unit and unplug unit from power source.

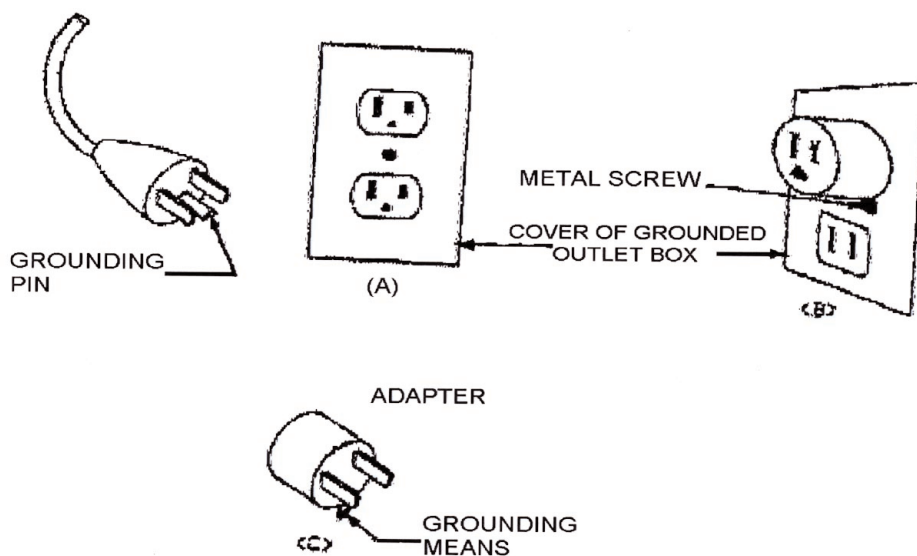
To clean the glass door: remove dust with clean dry cloth or to remove finger prints and other marks clean glass with clean damp cloth. Do not use abrasive cleaners or spray liquids on glass door surfaces.

Metal and metal painted parts should be cleaned with clean damp cloth only. Do not use abrasive cleaners or spray liquids on this surface.

INSTRUCTIONS FOR POWER

This heater is for use on 120 volts only. The cord has a plug as shown at (A) in the following figure. An adapter as shown at (C) is available for connecting three-blade grounding-type plugs to two-slot receptacles. The green grounding lug extending from the adapter must be connected to a permanent ground such as a properly grounded outlet box. The adapter should not be used if a three-slot grounded receptacle is available.

WARNING: Before servicing this heater be sure to unplug heater from wall outlet. Do not only turn off heater from the main "ON/OFF" switch, be sure to unplug this heater.



(Adaptor **NOT** permitted in Canada)
Under CZ22.2 NO. 0 standard

SPECIFICATIONS:

Model: EF5524

Voltage: 120V/60Hz

Total Amps: 11.3 Amps

Total Watts: 1500W

Heating Ratings: 1400W (+5%, -10%)

Dimensions, Inches (H x W x D):

Fireplace: 37.8 x 32.0 x 8.3

Carton: 26.0 x 35.8 x 11.4

Weight, Pounds

Net: 50.6

Gross: 57.2