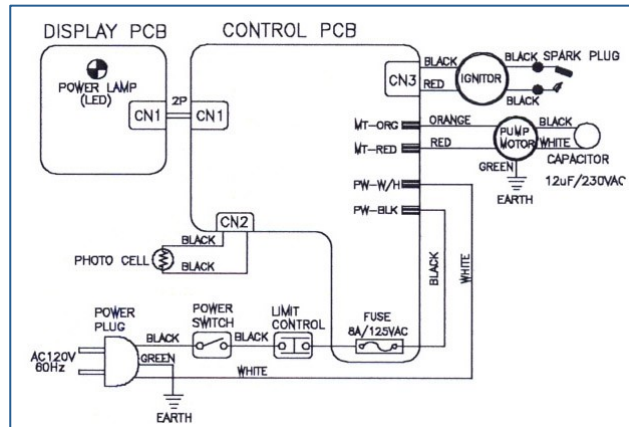
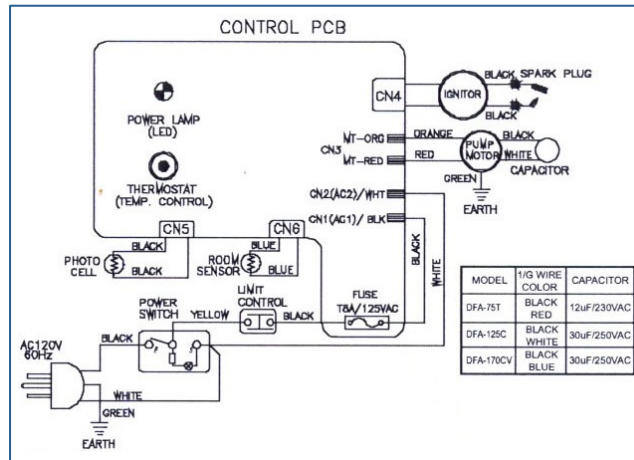


# WIRING DIAGRAMS

## A) WIRING DIAGRAM (DFA50 Model)



## B) WIRING DIAGRAM (DFA75T/125C/170CV Models)

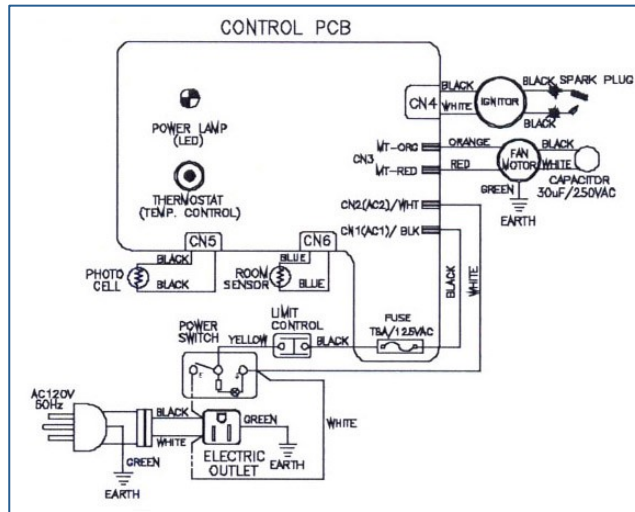


**NEVER LEAVE THE HEATER UNATTENDED WHILE BURNING!**

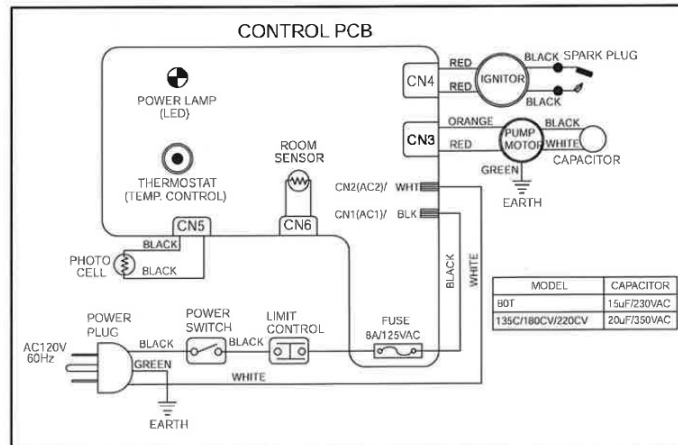
This document is for reference purposes and not intended to replace your owner's manual. It is important to read your owner's manual in its entirety which has been designed to instruct you as to the proper manner in which to assemble the heater, maintain the heater, store the heater, and most importantly, how to operate the heater in a safe and efficient manner

# WIRING DIAGRAMS

## C) WIRING DIAGRAM (DFA210CV Model)



## D) WIRING DIAGRAM (DFA80T/135C/180CV/210CV Model)



**NEVER LEAVE THE HEATER UNATTENDED WHILE BURNING!**

This document is for reference purposes and not intended to replace your owner's manual. It is important to read your owner's manual in its entirety which has been designed to instruct you as to the proper manner in which to assemble the heater, maintain the heater, store the heater, and most importantly, how to operate the heater in a safe and efficient manner