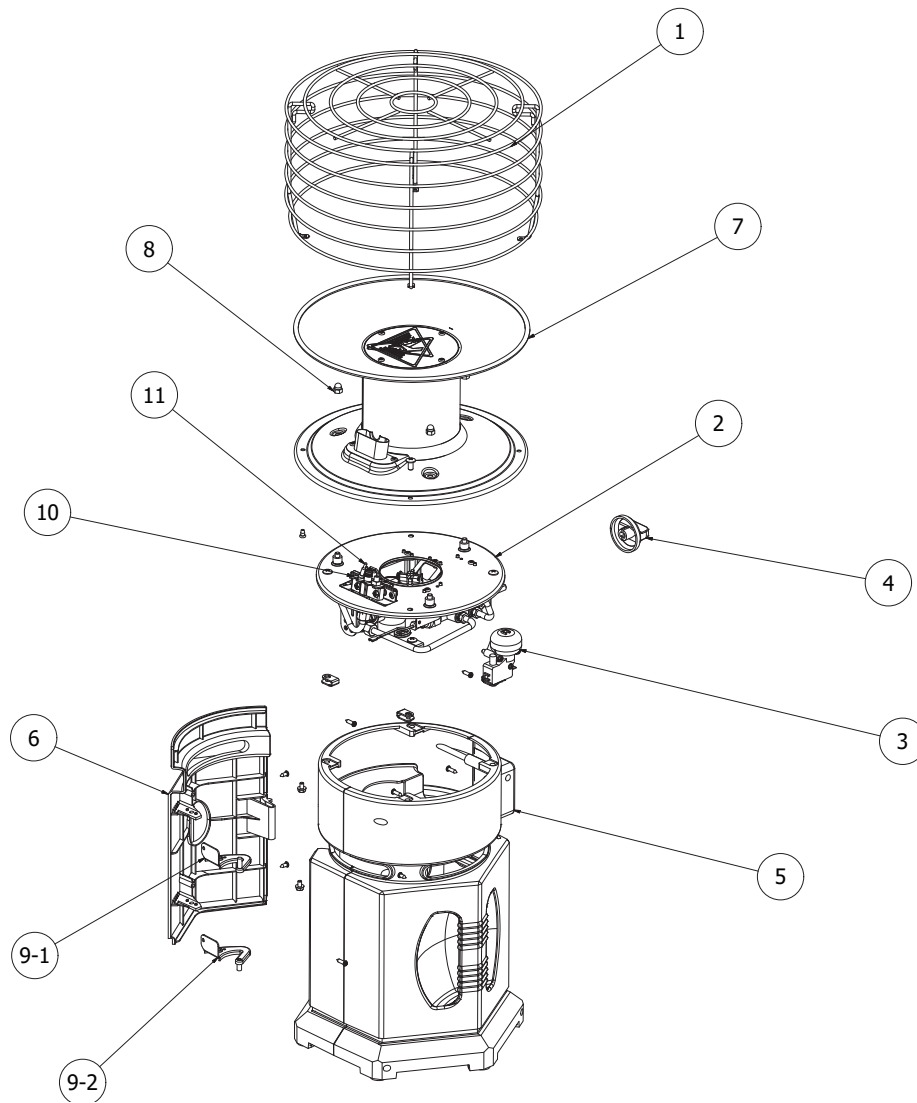


| PARTS LIST |     |             |   |
|------------|-----|-------------|---|
| ITEM       | QTY | LP10-360    | DESCRIPTION   |
| 1          | 1   | HA1360-04   | Wire Guard  |
| 2          | 1   | HA1360-GTA  | Gas Train Assembly                                    |
| 3          | 1   | TT15C-07    | Tip Switch  |
| 4          | 1   | HA360-23    | Control Knob  |
| 5          | 1   | 23-5201     | Plastic Base Assembly                                 |
| 6          | 1   | 23-5701     | Access Door   |
| 7          | 1   | HA1360-01   | Burner Assembly                                       |
| 8          | N/A | HA360-HK    | Hardware Kit (Includes all hardware to assemble unit) |
| 9-1        | 1   | HA1360-21   | Hinge Assembly, upper                                 |
| 9-2        | 1   | HA1360-22   | Hinge Assembly, lower                                 |
| 10         | 1   | HA1360-08   | LP ODS Pilot Assy.                                    |
| 11         | 1   | HA360-08-01 | Thermocouple  |



**NEVER LEAVE THE HEATER UNATTENDED WHILE BURNING!**